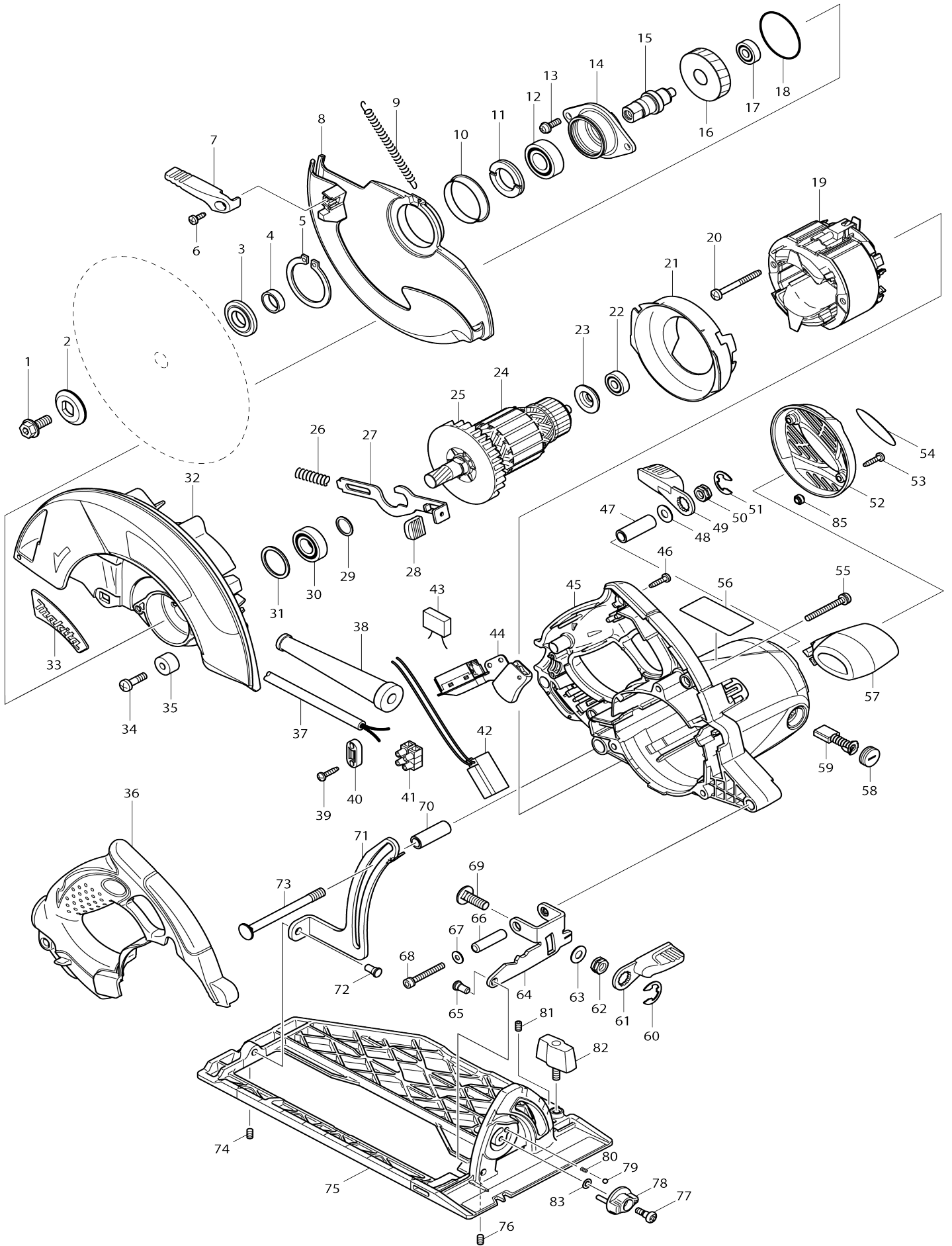


Model No.5008MG CIRCULAR SAW 210MM



Model No.5008MG CIRCULAR SAW 210MM

Item No.	Parts No.	Description	Interchangability	Q'ty	New/Old	Note1	Note2
001	266283-4	HEX. SOCKET HEX. BOLT M8X20		1			
002	224409-4	OUTER FLANGE 35		1			
003	224412-5	INNER FLANGE 35		1	*		
003-1	224473-5	INNER FLANGE 35	O	1	*		
003-2	224593-5	INNER FLANGE 35	<	1			
004	257279-6	RING 17		1			
005	961201-4	RETAINING RING S-42		1			
006	266398-7	TAPPING SCREW BIND CT 4X12		1			
007	272258-3	LEVER 37		1			
008	318175-4	SAFETY COVER		1			
009	231848-1	TENSION SPRING 4		1			
010	345422-0	SPACER		1	*		
010-1	346880-3	SPACER	<	1			
011	285848-3	BEARING RETAINER 23-36		1			
012	211275-8	BALL BEARING 6003DDW		1	*		
012-1	210301-0	BALL BEARING 6003DDW	O	1			
013	911223-4	PAN HEAD SCREW M5X16		2			
014	318056-2	BEARING BOX		1			
015	324690-8	SPINDLE		1			
016	226662-8	HELICAL GEAR 43		1			
017	211031-6	BALL BEARING 608LLB		1			
018	213623-7	O RING 46		1			
019	596289-1	FIELD ASS'Y 240V		1			
C10	654020-2	RING TERMINAL		2			
C20	654502-4	CONNECTOR P-2		2			
020	266397-9	TAPPING SCREW BIND 5X50		2			
021	419548-5	BAFFLE PLATE		1			
022	211031-6	BALL BEARING 608LLB		1			
023	681625-5	INSULATION WASHER		1			
024	517763-6	ARMATURE ASS'Y 220V		1			
D10		INC. 22,23,25,29,30					
025	240003-4	FAN 80		1			
026	231297-2	COMPRESSION SPRING 9		1			
027	345717-1	SHAFT LOCK		1			
028	286275-7	CAP		1			
029	267280-3	FLAT WASHER 15		1			
030	211236-8	BALL BEARING 6002DDW		1			
031	261132-0	URETHANE WASHER 26		1			
032	188446-1	BLADE CASE SET		1			
C10	213459-4	O RING 32		1			
C20	263002-9	RUBBER PIN 4		1			
C30	816892-5	SCALE PLATE		1			
D10		INC. 33					
033	819234-2	MAKITA LOGO PLATE		1			
034	251247-1	+ PAN HEAD SCREW M6X20		1			
035	262552-1	RUBBER SLEEVE 6		1			
036	419553-2	HANDLE COVER		1			

037	665865-3	POWER SUPPLY CORD 1.0-2-2.5		1		
038	682564-2	CORD GUARD		1		
039	266326-2	TAPPING SCREW 4X18		2		
040	687124-5	STRAIN RELIEF		1		
041	654531-7	TERMINAL BLOCK 2P		1		
042	631710-4	LIGHT CIRCUIT		1		
043	645200-1	NOISE SUPPRESSOR		1		
044	651189-3	SWITCH TG933TN-2		1		
045	158100-1	MOTOR HOUSING COMPLETE		1		
C10	643653-8	BRUSH HOLDER 6.5-13.5		2		
046	266326-2	TAPPING SCREW 4X18		5		
047	331719-3	PIPE 9		1		
048	941201-0	FLAT WASHER 8		1		
049	272253-3	LEVER 56		1		
050	252199-9	HEX. NUT M8-13		1		
051	257953-6	BOW STOP RING E-12		1		
052	188448-7	REAR COVER SET		1		
D10		INC. 54				
053	266326-2	TAPPING SCREW 4X18		2		
054	819237-6	MAKITA LOGO LABEL		1		
055	911268-2	PAN HEAD SCREW M5X45		3		
056	863999-8	5008MG NAME PLATE		1		
057	419550-8	FRONT GRIP		1		
058	643650-4	BRUSH HOLDER CAP 6.5-13.5		2	*	
058-1	643650-4	BRUSH HOLDER CAP 6.5-13.5	O	2		
059	181044-0	CARBON BRUSH CB-153		1	*	
059-1	194985-1	CARBON BRUSH SET CB-153	O	1		
060	257953-6	BOW STOP RING E-12		1		
061	272253-3	LEVER 56		1		
062	252199-9	HEX. NUT M8-13		1		
063	941201-0	FLAT WASHER 8		1		
064	345835-5	ANGULAR GUIDE		1		
065	256480-0	SHOULDER PIN 6-7		1	*	
065-1	256511-5	SHOULDER PIN 6-7	<	1		
066	257759-2	SLEEVE 6		1		
067	941101-4	FLAT WASHER 5		1		
068	922261-1	HEX. SOCKET HEAD BOLT M5X40		1		
069	266396-1	FLATHEAD SQUARENECKBOLT M8X24		1		
070	331719-3	PIPE 9		1		
071	345833-9	DEPTH GUIDE		1		
072	256480-0	SHOULDER PIN 6-7		1	*	
072-1	256511-5	SHOULDER PIN 6-7	<	1		
073	266237-1	CAP SQUARE NECK BOLT M8X90		1		
074	266229-0	H.S.SET SCREW(CUP POINT)M5X8		1		
075	158423-7	BASE COMPLETE		1		
C10	816894-1	SCALE PLATE		1		
076	266229-0	H.S.SET SCREW(CUP POINT)M5X8		1		
077	251370-2	+ PAN HEAD SCREW M5		1		
078	419549-3	DIAL 27		1		
079	216008-6	STEEL BALL 4		1		
080	233314-4	COMPRESSION SPRING 4		1		

081	266229-0	H.S.SET SCREW(CUP POINT)M5X8		1		
082	251858-2	DIAL SCREW M6X15		1		
083	253811-4	FLAT WASHER 5		1		
085	450351-5	SPACER		2		
A01	164095-8	GUIDE RULE		1		
A02	783204-6	HEX. WRENCH 6		1		
A03	450079-5	DUST NOZZLE		1		
A04	911223-4	PAN HEAD SCREW M5X16		1		
A05	D-29050	T.C.T.SAW BLADE 210X30X24T		1		
B01	194489-3	DUST NOZZLE SET		1		
D10		INC. 7,A03,A04				
A06	821552-6	CONNECTOR PLASTIC CASE (TYP E4)		1	*	
C10	453974-8	LATCH		4	*	
A06-1	821552-6	CONNECTOR PLASTIC CASE (TYP E4)	<	1		
C10	453974-8	LATCH		4		
A07	837657-2	INNER TRAY		1		
A08	800X30-3	5008MGJ INDICATION LABEL		1		
A09	800X31-1	5008MGJ PLASTIC CASE LABEL		2		

Please state Parts No. when your order.

Print Date 12/11/2023