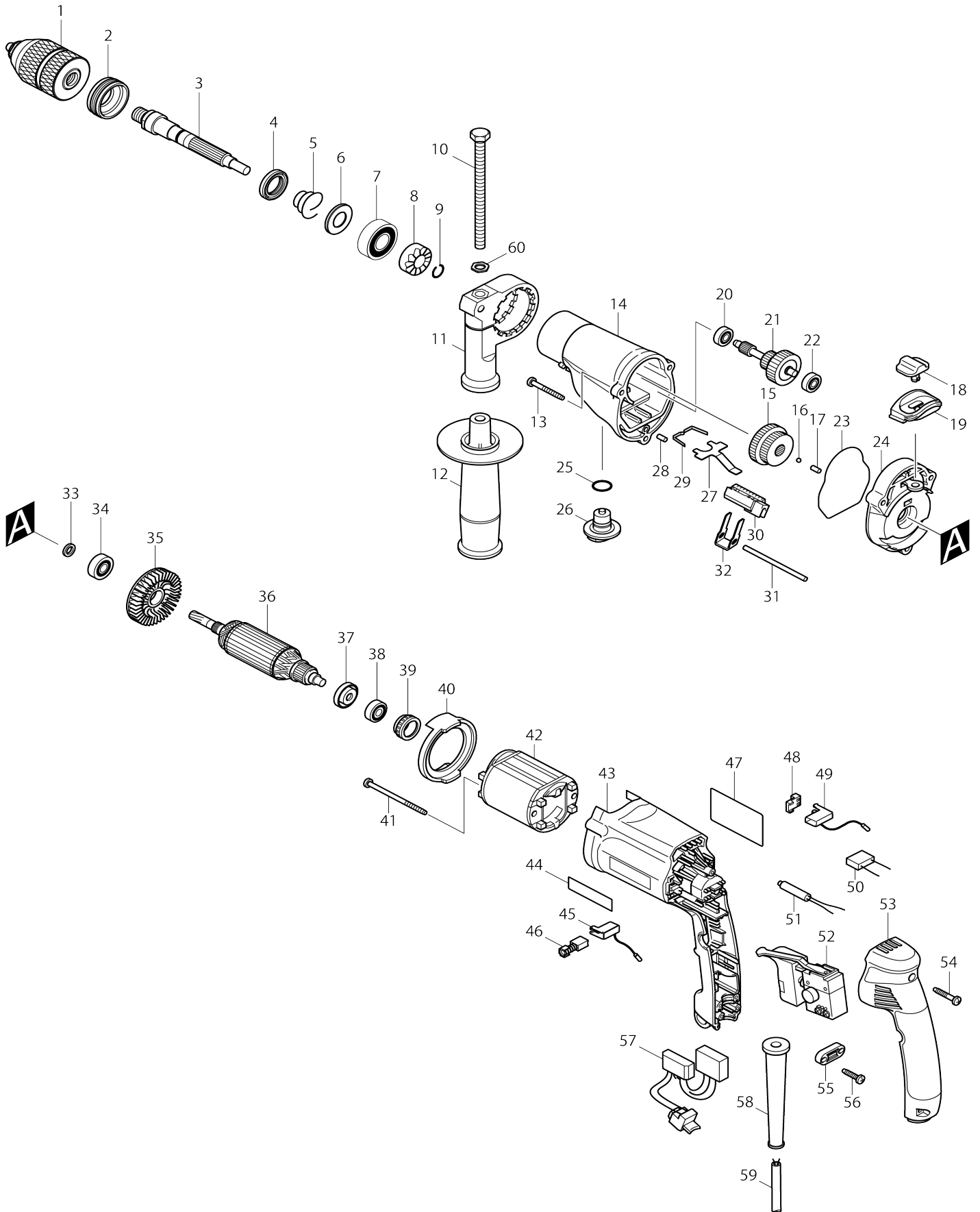


Model No. HP2051F 2-SPEED HAMMER DRILL 20MM



Model No.HP2051F 2-SPEED HAMMER DRILL 20MM

Item No.	Parts No.	Description	Interchangeability	Q'ty	New/Old	Note1	Note2
001	192664-5	KEYLESS DRILL CHUCK		1	*		
001-1	194254-0	KEYLESS DRILL CHUCK SET	<	1			
002	285839-4	BEARING RETAINER		1			
003	324247-5	SPINDLE		1			
004	213314-0	OIL SEAL 19		1			
005	233921-3	CONICAL COMPRESSION SPRING		1			
006	345224-4	CUP WASHER 15		1			
007	211206-7	BALL BEARING 6202LLB		1			
008	223137-8	CAM A		1			
009	233920-5	RING SPRING 11		1			
010	921923-8	HEX. BOLT M8X120		1			
011	417630-4	GRIP BASE		1	*		
011-1	417630-4	GRIP BASE	O	1			
012	152521-9	GRIP 36 COMPLETE		1	*		
012-1	134943-5	GRIP 36 ASS'Y	<	1	*		
C10	152521-9	GRIP 36 COMPLETE		1	*		
D10		INC. 10,11					
012-2	134943-5	GRIP 36 ASS'Y	<	1	*		
C10	152521-9	GRIP 36 COMPLETE		1	*		
D10		INC. 10,11,60					
012-3	135302-6	GRIP 36 ASS'Y	O	1			
C10	153503-4	GRIP 36 COMPLETE		1			
D10		INC. 10,11,60					
013	266053-1	TAPPING SCREW 4X35		3			
014	153379-9	GEAR HOUSING COMPLETE		1			
015	227030-8	SPUR GEAR 29-37		1			
016	216001-0	STEEL BALL 3.5		1			
017	256251-5	PIN 4		1			
018	417801-3	CHANGE LEVER A		1	*		
018-1	418083-0	CHANGE LEVER A	<	1			
019	417802-1	LEVER CASE		1			
020	211014-6	BALL BEARING 606		1	*		
020-1	211012-0	BALL BEARING 606ZZ	O	1			
021	153363-4	GEAR COMPLETE		1	*		
021-1	153622-6	GEAR COMPLETE	O	1			
022	211014-6	BALL BEARING 606		1	*		
022-1	211012-0	BALL BEARING 606ZZ	O	1			
023	421810-6	SEAL RING		1			
024	153364-2	GEAR HOUSING COVER COMPLETE		1	*		
024-1	153620-0	GEAR HOUSING COVER COMPLETE	<	1			
025	213162-7	O RING 14		1	*		
025-1	213122-9	O RING 12	O	1			
026	417805-5	CHANGE LEVER B		1			
027	345225-2	LOCK PLATE		1			
028	256251-5	PIN 4		1			
029	232143-2	LEAF SPRING		1			

030	417804-7	RACK 12		1		
031	268092-7	PIN 4		1		
032	345223-6	CHANGE PLATE B		1		
033	262087-2	RING 8		1	*	
033-1	257857-2	RING 8	<	1		
034	210005-4	BALL BEARING 608DDW		1		
035	241881-5	FAN 52		1		
036	517414-1	ARMATURE ASS'Y 220-240V		1		
D10		INC. 33,34,35,37,38				
037	681636-0	INSULATION WASHER		1		
038	211021-9	BALL BEARING 607LLB		1		
039	421494-0	RUBBER RING 19		1		
040	417803-9	BAFFLE PLATE		1		
041	266060-4	TAPPING SCREW 4X65		2		
042	633528-9	FIELD 220-240V		1		
043	183454-7	MOTOR HOUSING		1	*	
D10		INC. 44				
043-1	417806-3	MOTOR HOUSING	O	1		
044	819063-3	MAKITA LABEL		1	*	
045	643989-5	BRUSH HOLDER		1		
046	191962-4	CARBON BRUSH CB-419		1	*	
046-1	195015-1	CARBON BRUSH SET CB-419	O	1		
047	853861-5	NAME PLATE HP2051F		1		
048	689111-0	SPACER		2		
049	643988-7	BRUSH HOLDER		1		
050	645105-5	NOISE SUPPRESSOR		1	*	
051	646133-3	CHOKE COIL		1	*	
052	650524-2	SWITCH TG813ALB-2		1		
053	153284-0	HANDLE COVER COMPLETE		1		
C10	263002-9	RUBBER PIN 4		2		
054	265999-8	TAPPING SCREW 4X25		3		
055	687052-4	STRAIN RELIEF		1	*	
055-1	687124-5	STRAIN RELIEF	O	1		
056	265995-6	TAPPING SCREW 4X18		2		
057	631471-6	LIGHT CIRCUIT		1	*	
057-1	631545-3	LIGHT CIRCUIT	S	1		
058	682559-5	CORD GUARD 8		1		
059	665394-6	POWER SUPPLY CORD 1.0-2-2.5		1		
060	345280-4	HEX. WASHER		1		
061	263002-9	RUBBER PIN 4		1		
A01	324219-0	DEPTH GAUGE		1		
A02	824650-5	PLASTIC CARRYING CASE		1	*	
C10	417724-5	LATCH		2	*	
C20	819144-3	MAKITA LOGO LABEL		1	*	
A02-1	821896-4	PLASTIC CASE	O	1		
C10	417724-5	LATCH		2		
C20	819144-3	MAKITA LOGO LABEL		1		
A02	821549-5	CONNECTOR PLASTIC CASE (TYP E1)		1	*	
C10	453974-8	LATCH		4	*	
A02-1	821549-5	CONNECTOR PLASTIC CASE (TYP E1)	<	1		

C10	453974-8	LATCH		4			
A03	837656-4	INNER TRAY		1	*		
A03-1	838039-1	INNER TRAY	O	1			
A04	801B92-2	HP2051FJ INDICATION LABEL		1			
A05	801B93-0	HP2051FJ PLASTIC CASE LABEL		2			

Please state Parts No. when your order.

Print Date 01/29/2024