

# Levenhuk 500 Series Microscopes

Levenhuk 500M

Levenhuk 500B

Levenhuk 500T

Levenhuk 500T POL

- EN User Manual
- BG Ръководство за потребителя
- CZ Návod k použití
- DE Bedienungsanleitung
- ES Guía del usuario
- HU Használati útmutató
- IT Guida all'utilizzo
- PL Instrukcja obsługi
- PT Manual do usuário
- RU Инструкция по эксплуатации

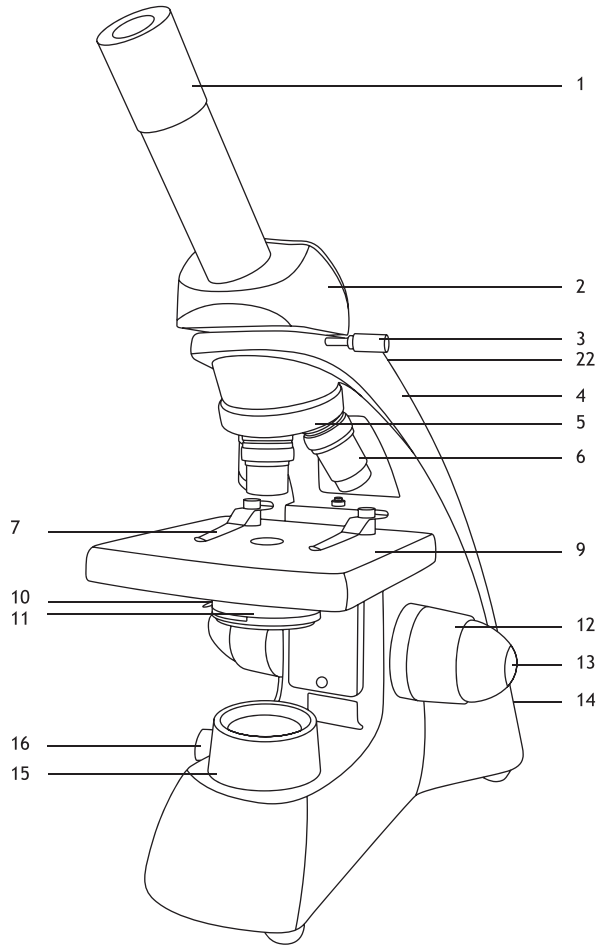


*Наслади се отблизо  
Radost zaostřit  
Zoom ran und hab Fun!  
Amplie y disfrute  
Kellemes nagyítást!  
Ingrandisci il divertimento  
Radość przybliżania  
Dê um zoom na sua emoção  
Приближает с удовольствием*

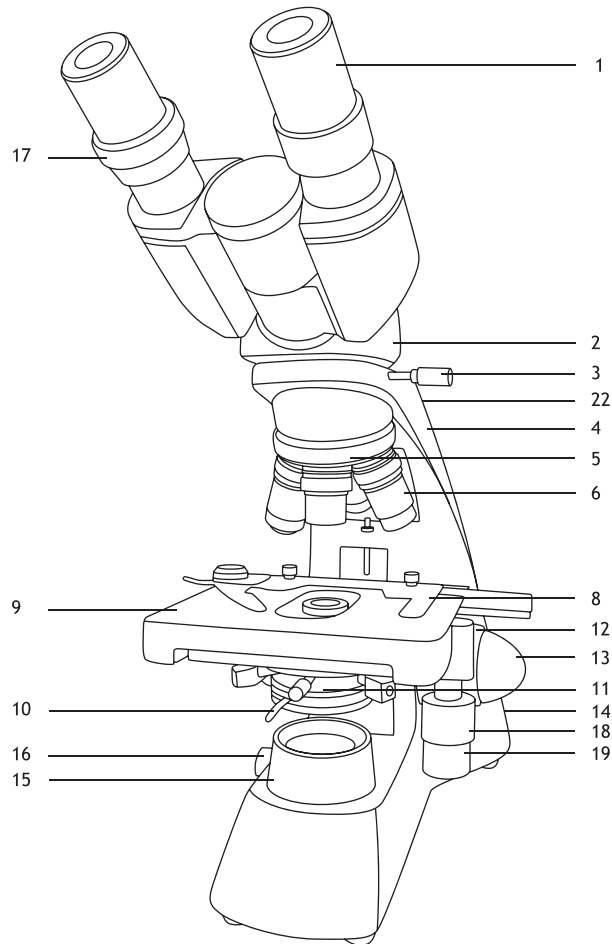
**levenhuk**  
Zoom&Joy



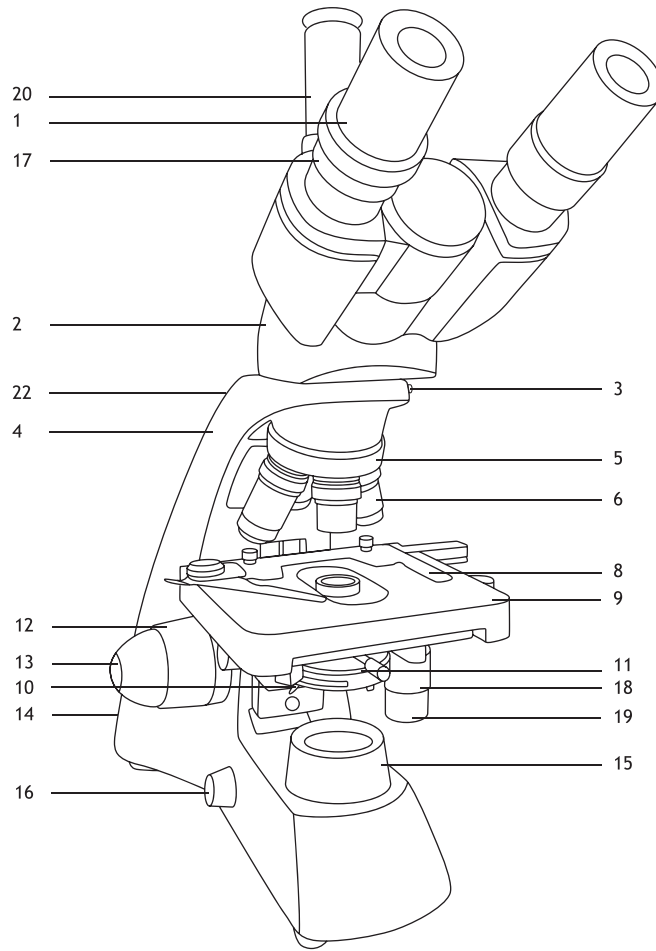
1a. Levenhuk 500M



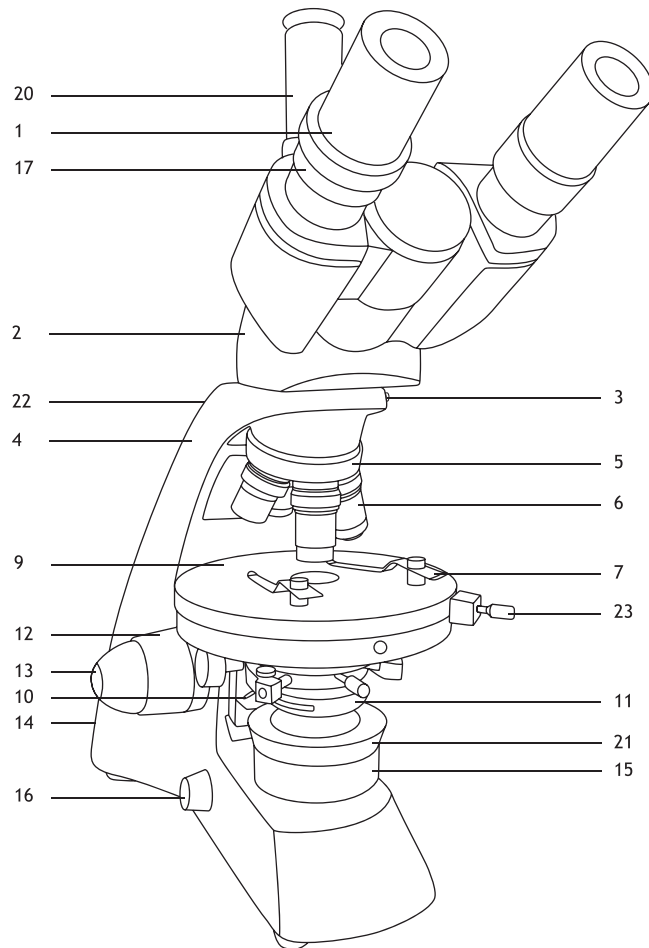
1b. Levenhuk 500B



1c. Levenhuk 500T



1d. Levenhuk 500T POL



**EN**

1. Eyepiece
2. Eyepiece head
3. Monocular/binocular/trinocular head locking screw
4. Arm
5. Revolving nosepiece
6. Objective
7. Specimen holders
8. Mechanical scale
9. Stage
10. Aperture diaphragm adjustment rod
11. Condenser with filter holder
12. Coarse focusing knob
13. Fine focusing knob
14. Illumination on/off button (not shown)
15. Collector
16. Brightness adjustment knob
17. Diopter adjustment ring
18. Stage moving knob (right/left)
19. Stage moving knob (back/forth)
20. Third eyepiece tube (trinocular models only)
21. Polarizer (500T POL only)
22. Analyzer slot (not shown)
23. Stage locking screw (500T POL only)

**BG**

1. Окуляр
2. Глава на окуляра
3. Заклучващ винт на монокулярната/бинокулярната/тринокулярната глава
4. Рамо
5. Револверна глава
6. Обектив
7. Държачи за образец
8. Механична скала
9. Предметна маса
10. Лостче за регулиране на апертурата на диафрагмата
11. Кондензатор с държач за филтри
12. Бутон за грубо фокусиране
13. Бутон за фино фокусиране
14. Бутон за включване/изключване на осветлението (не е показан)
15. Кollectор
16. Бутон за регулиране на яркостта (не е показан)
17. Пръстен за регулиране на диоптъра
18. Бутон за преместване на предметната маса (надясно/наляво)
19. Бутон за преместване на предметната маса (назад/напред)
20. Трета тръба на окуляра (само за тринокулярни модели)
21. Поляризатор (само 500T POL)
22. Слот на анализатор (не е показан)
23. Заклучващ винт за предметната маса (само 500T POL)

**CZ**

1. Okulár
2. Hlavice s očníci
3. Pojistný šroub monokulární/binokulární/trinokulární hlavy
4. Rameno
5. Revolverový nosič objektivů
6. Objektiv
7. Držáky preparátů
8. Mechanická stupnice
9. Pracovní stolek
10. Páčka pro nastavení aperturní clony
11. Kondenzor s držákem filtru
12. Makrošroub pro hrubé zaostření
13. Mikrošroub pro jemné zaostření
14. Tlačítko zapnutí/vypnutí osvětlení (není zobrazeno)
15. Kolektor
16. Knoflík pro nastavení jasu (není zobrazeno)
17. Kroužek dioptrické korekce
18. Ovládací knoflík posuvu pracovního stolku (vpravo/vlevo)
19. Ovládací knoflík posuvu pracovního stolku (dozadu/dopředu)
20. Třetí tubus okuláru (pouze trinokulární modely)
21. Polarizátor (pouze 500T POL)
22. Slot analyzátoru (nezobrazeno)
23. Pojistný šroub stolku (pouze 500T POL)

**DE**

1. Okular
2. Okularkopf
3. Monokular-/Binokular-/Trinokularkopf-Fixierschraube
4. Arm
5. Revolver
6. Objektiv
7. Probenhalter
8. Physische Skala
9. Objektstisch
10. Irisblende-Einstellstab
11. Kondensor mit Filterhalter
12. Grobtrieb
13. Feintrieb
14. Beleuchtung-Ein-/Ausschalter (nicht abgebildet)
15. Sammellinse
16. Helligkeitsregler (nicht abgebildet)
17. Dioptrienring
18. Tischverstellungsknopf (links/rechts)
19. Tischverstellungsknopf (vorwärts/rückwärts)
20. Dritter Okulartubus (nur Trinokularmodelle)
21. Polarisator (nur 500T POL)
22. Analysatoranschluss (nicht abgebildet)
23. Objektstisch-Fixierschraube (nur 500T POL)

**ES**

1. Ocular
2. Cabezal del ocular
3. Tornillo de bloqueo del cabeza monocular/binocular/trinocular
4. Brazo
5. Revólver giratorio
6. Objetivo
7. Porta muestras
8. Micrómetro mecánico
9. Platina
10. Varilla de ajuste del diafragma de apertura
11. Condensador con soporte de filtro
12. Mando de enfoque aproximado
13. Mando de enfoque preciso
14. Botón de encendido/apagado de la iluminación (no se muestra)
15. Lente colectora
16. Mando de ajuste del brillo (no se muestra)
17. Anillo de ajuste de las dioptrías
18. Mando de movimiento de la platina (derecha/izquierda)
19. Mando de movimiento de la platina (atrás/adelante)
20. Tercer tubo ocular (solo modelos trinoculares)
21. Polarizador (solo 500T POL)
22. Ranura del analizador (no se muestra)
23. Tornillo de bloqueo de la platina (solo 500T POL)

**HU**

1. Szemlencse
2. Szemlencse fejrész
3. Egy-/kettő-/háromszemlencsés fejrész rögzítőcsavar
4. Kar
5. Revolverfejt
6. Objektiv
7. Mintatartók
8. Mechanikus skála
9. Tárgasztal
10. Rekesznyílás állítórúd
11. Kondenzor szűrőtartóval
12. Durva-fókuszállító gomb
13. Finom-fókuszállító gomb
14. Világítás be-/kikapcsoló gomb (nem látható)
15. Kollektor
16. Fényerősség állító gomb (nem látható)
17. Dioptria-állító gyűrű
18. Tárgasztal mozgató gomb (jobb/bal)
19. Tárgasztal mozgató gomb (előre/háttra)
20. Harmadik szemlencsecső (csak háromszemlencsés modelleknél)
21. Polarizáló (kizárólag 500T POL)
22. Analizáló nyílás (nem látható)
23. Tárgasztal szorítócsavar (kizárólag 500T POL)

**IT**

1. Oculare
2. Testata oculare
3. Vite di fissaggio della testata monoculare/binoculare/trinoculare
4. Stativo
5. Revolver portaobiettivi
6. Obiettivo
7. Portacampione
8. Traslatore meccanico
9. Tavolino
10. Leva di regolazione dell'apertura del diaframma
11. Condensatore con portafiltro
12. Manopola di messa a fuoco grossolana
13. Manopola di messa a fuoco fine
14. Interruttore per l'illuminazione (non visibile)
15. Collettore
16. Manopola di regolazione della luminosità (non visibile)
17. Ghiera di regolazione diottrica
18. Manopola per il movimento del tavolino (destra/sinistra)
19. Manopola per il movimento del tavolino (avanti/indietro)
20. Terzo tubo ottico (solo modelli trinoculari)
21. Polarizzatore (solo per 500T POL)
22. Slot per analizzatore (non visibile)
23. Vite di fissaggio del tavolino (solo per 500T POL)

**PL**

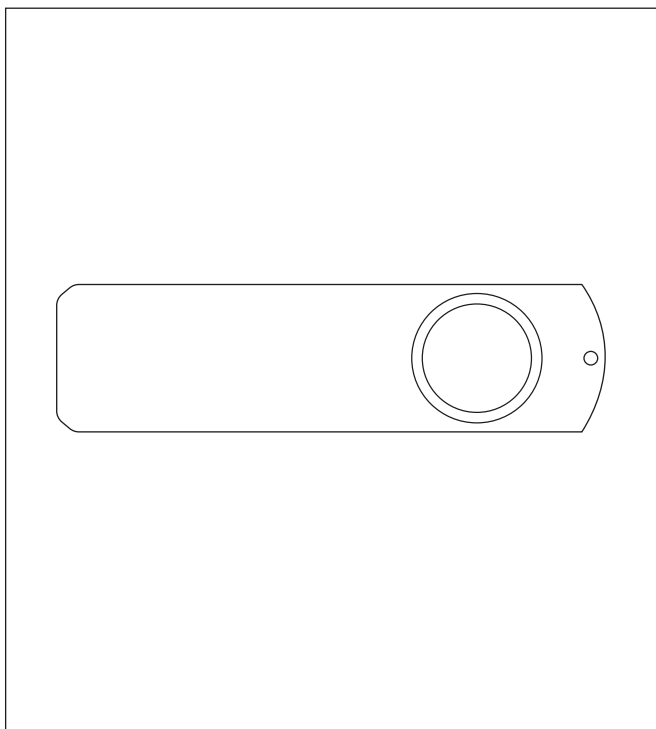
1. Okular
2. Głowica okularowa
3. Śruba blokująca głowicy monokularowej/dwuokularowej/trójokularowej
4. Ramię
5. Miska rewolwerowa
6. Obiektyw
7. Zaczepy do preparatów
8. Skala mechaniczna
9. Stolik
10. Pręt regulacji przystony aperturowej
11. Kondensator z uchwytem filtra
12. Pokręto zgrubnej regulacji ostrości
13. Pokręto precyzyjnej regulacji ostrości
14. Przycisk wł./wył. oświetlenia (niepokazany)
15. Kolektor
16. Pokręto regulacji jasności (niepokazany)
17. Pierścień regulacji dioptrii
18. Pokręto przesuwania stolika (w prawo/w lewo)
19. Pokręto przesuwania stolika (do tyłu/do przodu)
20. Tuba trzeciego okularu (tylko modele trójokularowe)
21. Polaryzator (tylko 500T POL)
22. Gniazdo analizatora (niewidoczne)
23. Śruba blokująca stolik (tylko 500T POL)

**PT**

1. Ocular
2. Cabeça da ocular
3. Parafuso de bloqueio da cabeça monocular/binocular/trinocular
4. Braço
5. Revólver giratório
6. Objetiva
7. Suportes de espécimes
8. Balança mecânica
9. Platina
10. Haste de ajuste do diafragma de abertura
11. Condensador com suporte do filtro
12. Botão de focagem grosseira
13. Botão de focagem fina
14. Botão de ligar/desligar a iluminação (não apresentado)
15. Coletor
16. Botão de ajuste do brilho (não apresentado)
17. Anel de ajuste de dioptria
18. Botão de deslocação da lâmina (para a direita/para a esquerda)
19. Botão de deslocação da lâmina (para a frente/para trás)
20. Terceiro tubo ocular (apenas modelos Trinocular)
21. Polarizador (apenas 500T POL)
22. Ranhura do analisador (não mostrada)
23. Parafuso de bloqueio da lâmina (apenas 500T POL)

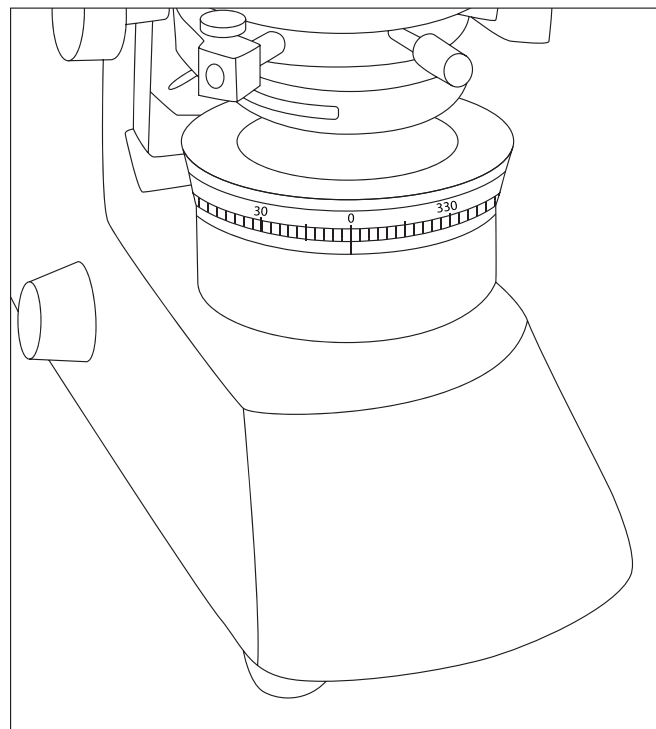
**RU**

1. Окуляр
2. Окулярная насадка
3. Фиксатор монокулярной/бинокулярной/тринокулярной насадки
4. Опорная стойка
5. Револьверное устройство
6. Объектив
7. Держатели препарата (зажимы)
8. Препаратоводитель
9. Предметный столик
10. Регулятор апертурной диафрагмы
11. Конденсор с держателем фильтра
12. Ручка грубой фокусировки
13. Ручка тонкой фокусировки
14. Кнопка вкл/выкл подсветки (не показана)
15. Коллектор
16. Регулятор яркости подсветки
17. Кольцо диоптрийной настройки
18. Перемещение столика по горизонтали (вправо/влево)
19. Перемещение столика по горизонтали (вперед/назад)
20. Третья окулярная трубка (только тринокулярные модели)
21. Поляризатор (только 500T POL)
22. Слот для анализатора (не показан)
23. Фиксатор предметного столика (только 500T POL)



**2a. Levenhuk 500T POL**

- EN** Analyzer
- BG** Анализатор
- CZ** Analyzátor
- DE** Analysator
- ES** Analizador
- HU** Analizáló
- IT** Analizzatore
- PL** Analizator
- PT** Analisador
- RU** Анализатор



**2b. Levenhuk 500T POL**

- EN** Polarizer
- BG** Поляризатор
- CZ** Polarizátor
- DE** Polarisator
- ES** Polarizador
- HU** Polarizáló
- IT** Polarizzatore
- PL** Polaryzator
- PT** Polarizador
- RU** Поляризатор

## General Information

Read the user manual carefully before you start working with a microscope. Levenhuk 500 Series biological microscopes are safe for health, life and property of the consumer and the environment when properly used, and meets the requirements of international standards. These microscopes are designed for observing transparent objects in the transmitted light using the bright field method. They perform well in clinical research and tests; teaching demonstrations; bacterioscopy and cytology in medical and health establishments, laboratories, universities; and may be used for scientific research in agriculture and microbiology.

## Microscope assembly

- Unpack the microscope carefully and place it on a flat surface.
- Remove the plastic bags and dustproof cover of the eyepiece head.
- Install the monocular, binocular or trinocular head and tighten the locking screw.
- Inspect all the items included in the kit and define their purpose.
- Connect the power cord to the microscope and plug it in.

## Use

Please refer to the fig. 1a (monocular model), fig. 1b (binocular model), fig. 1c and 1d (trinocular model).

- Turn on the power and the illumination will turn on. Set the brightness at approximately 70%. Place the specimen on the stage. Make sure the clips hold the specimen firmly in place.
- Iris diaphragm should be adjusted in accordance with numerical aperture of a lens. The best practice is to make the iris diaphragm slightly smaller than the aperture of the selected lens. Open or close the iris diaphragm using the adjustment screws. If the adjustment screw is turned to the right, the iris diaphragm is fully open. **Note:** the diaphragm is not intended for adjusting the brightness of the illumination. To adjust the brightness, use the brightness adjustment knob.
- Slide the filter holder, place the filter in it and then return the holder to its initial position.
- To change the objective magnification, turn the revolving nosepiece until it clicks.
- Make sure that the lens does not touch the sample when adjusting the focus: rotate the coarse focus knob until the specimen is about 3.175mm (1/8") away from the lens.
- Looking into the eyepiece, slowly turn the coarse focusing knob until you can see the image of the observed specimen. Turn the fine focusing knob to make the image clear. The fine focusing mechanism allows you to focus on the observed specimen while using high magnifications.
- When you use an oil immersion objective, the space between the specimen and the lens should be filled with immersion oil. Raise the condenser to the upper position and put a drop of oil on the lens and on the cover glass of the specimen. Move the revolving nosepiece back and forth to get rid of air bubbles in the oil. Then, fix the objective lens in its working position. Make sure that oil fills the entire space between the objective lens and the specimen. After use, wipe the lens dry.
- To adjust the position of the mechanical scale (except for 500M and 500T POL), turn the coarse focusing knob in a clockwise direction if you want to fix the position of the mechanical scale, or in a counterclockwise direction if you want to loosen it.
- To place the specimen in the field of view, move the stage horizontally back and forth or left and right using the stage moving knobs (except for 500M and 500T POL).
- Look through the right eyepiece with your right eye and adjust the image sharpness with the coarse and fine focusing knobs. Binocular and trinocular models: Then, look through the left eyepiece with your left eye and rotate the diopter adjustment ring to equalize the difference between your left and right eyes vision. Remember the setting for future use. Adjust the distance between the eyepiece tubes of the binocular head so that the image merges into a single circle.
- Trinocular models: you can install the digital camera to the third eyepiece tube.

## Observation in polarized light

The Levenhuk 500T POL microscope is equipped with an analyzer (Fig. 2a) and is equipped with an integrated polarizer (Fig. 2b). They allow you to reduce glare and spurious reflections when studying shiny objects. Insert the analyzer into a special slot on the back of the microscope to start observing in polarized light. Set the polarizer to "0" – the polarizer and analyzer will be positioned orthogonally. Rotate the polarizer ring to change the polarization angle. The Levenhuk 500T POL microscope is equipped with a round stage. By using the rotation of the stage, you can change the angle of polarization and observe changes in the refraction of light. Loosen the retainer in order to rotate the stage and tighten the retainer to secure the stage.

## Halogen bulb replacement

Unplug the microscope from a power source. Loosen the knurled screw on the underside of microscope and open the panel to expose the bulb. Make sure the lamp has cooled down and then remove it. Do not touch the new lamp with your fingers; fingerprints or dirt will reduce the brightness and the lamp's life. Use gloves to replace the lamp. If necessary, wipe the lamp with a clean, soft cloth. Use a lamp of a suitable type. Insert the contacts into the slot vertically. Close the panel and tighten the knurled screw with finger.

## Fuse replacement

Unplug the microscope from a power source. Open the fuse holder located on the back of the microscope body with a flat head screwdriver. Remove the old fuse and install a new one. Only use the appropriate types of fuses. Close the fuse holder.



## Specifications

Product ID	75424	75425	75426	75427
Model	Levenhuk 500M	Levenhuk 500B	Levenhuk 500T	Levenhuk 500T POL
Type	biological/optical			
Research method	bright field			bright field, polarized light
Magnification	40–400x	40–1000x		
Interpupillary distance	–	48–75mm		
Eyepiece head	monocular, 360° rotatable, inclined at 45°	binocular, 360° rotatable, inclined at 30°	trinocular, 360° rotatable, inclined at 30°	
Optics material	optical glass			
Eyepiece tube diameter	23.2mm			
Third vertical eyepiece tube	–	23.2mm		
Eyepieces	WF10x/18mm (1pc) with a pointer	WF10x/18mm (2pcs)		
Eyepiece diopter adjustment	–	±5 D		
Objectives	achromatic: 4x, 10x, 40xs	achromatic: 4x, 10x, 40xs, 100xs (oil)		
Revolving nosepiece	3 objectives	4 objectives		
Stage moving range	–	70/30mm		–
Stage	110x110mm, with specimen holders	double layer mechanical, 115x125mm, with mechanical scale		360° rotatable, Ø135mm, with specimen holders
Focus system	coaxial, coarse (30mm) and fine (0.002mm)		coaxial, coarse (16mm) and fine (0.002mm)	
Condenser	N.A. 0.65 iris diaphragm and filter holder	Abbe N.A. 1.25 iris diaphragm and filter holder, with adjustable height		
Body material	metal			
Illumination	lower (halogen, 12V/20W) with brightness adjustment			lower (LED 3W) with brightness adjustment
Collector	+			
Polarizer	–			+
Analyzer	–			+
Filters	blue, green, yellow			
Vial of immersion oil	–	+		
Fuse	1pc			
Power supply	110–220V, via AC adapter			
Camera connector	–		+	

Levenhuk reserves the right to modify or discontinue any product without prior notice.



**Caution:** Please refer to the specifications table for the correct mains voltage and never attempt to plug a 110V device into 220V outlet and vice versa without using a converter. Remember that mains voltage in the U.S. and Canada is 110V and 220–240V in most European countries.

## Care and maintenance

- **Never, under any circumstances, look directly at the Sun, another bright source of light or at a laser through this device, as this may cause PERMANENT RETINAL DAMAGE and may lead to BLINDNESS.**
- Take necessary precautions when using the device with children or others who have not read or who do not fully understand these instructions.
- After unpacking your microscope and before using it for the first time check for integrity and durability of every component and connection.
- Do not try to disassemble the device on your own for any reason. For repairs and cleaning of any kind, please contact your local specialized service center.
- Protect the device from sudden impact and excessive mechanical force. Do not apply excessive pressure when adjusting focus. Do not overtighten the locking screws.
- Do not touch the optical surfaces with your fingers. To clean the device exterior, use only special cleaning wipes and special optics cleaning tools from Levenhuk. Do not use any corrosive or acetone-based fluids to clean the optics.
- Abrasive particles, such as sand, should not be wiped off lenses, but instead blown off or brushed away with a soft brush.
- Do not use the device for lengthy periods of time, or leave it unattended in direct sunlight. Keep the device away from water and high humidity.
- Be careful during your observations, always replace the dust cover after you are finished with observations to protect the device from dust and stains.
- If you are not using your microscope for extended periods of time, store the objective lenses and eyepieces separately from the microscope.
- Store the device in a dry, cool place away from hazardous acids and other chemicals, away from heaters, open fire and other sources of high temperatures.
- When using the microscope, try not to use it near flammable materials or substances (benzene, paper, cardboard, plastic, etc.), as the base may heat up during use, and might become a fire hazard.
- Always unplug the microscope from a power source before opening the base or changing the illumination lamp. Regardless of the lamp type (halogen or incandescent), give it some time to cool down before trying to change it, and always change it to a lamp of the same type.
- Always use the power supply with the proper voltage, i.e. indicated in the specifications of your new microscope. Plugging the instrument into a different power outlet may damage the electric circuitry of the microscope, burn out the lamp, or even cause a short circuit.
- **Seek medical advice immediately if a small part or a battery is swallowed.**

## Levenhuk International Lifetime Warranty

All Levenhuk telescopes, microscopes, binoculars and other optical products, except for accessories, carry a **lifetime warranty** against defects in materials and workmanship. Lifetime warranty is a guarantee on the lifetime of the product on the market. All Levenhuk accessories are warranted to be free of defects in materials and workmanship for **six months** from date of retail purchase. The warranty entitles you to free repair or replacement of the Levenhuk product in any country where a Levenhuk office is located if all warranty conditions are met.

For further details please visit our web site: [www.levenhuk.com/warranty](http://www.levenhuk.com/warranty)

If warranty problems arise, or if you need assistance in using your product, contact the local Levenhuk branch.

## Обща информация

Преди да започнете работа с микроскопа, прочетете внимателно ръководството за потребителя. При правилна употреба биологичните микроскопи от серия Levenhuk 500 са безопасни за здравето, живота и имуществото на потребителя, както и за околната среда, и отговарят на изискванията на международните стандарти. Тези микроскопи са предназначени за наблюдение на прозрачни обекти в предавана светлина с помощта на метода на светлото поле. Те дават добри резултати при клинични изследвания и тестове; обучителни демонстрации; бактериоскопски и цитологични изследвания в медицински и здравни заведения, лаборатории, университети; и могат да бъдат използвани за научни изследвания в областта на селското стопанство и микробиологията.

## Сглобяване на микроскопа

- Внимателно разопакувайте микроскопа и го поставете на равна повърхност.
- Свалете полиетиленовите торби и покривалото против прах от главата на окуляра.
- Монтирайте монокулярната, бинокулярната или тринокулярната глава и затегнете заключващия винт.
- Проверете всички елементи, включени в комплекта, и определете предназначението им.
- Свържете охранващия кабел към микроскопа и го включете в мрежата.

## Употреба

Вижте фиг. 1a (монокулярен модел), фиг. 1b (бинокулярен модел), фиг. 1c и фиг. 1d (тринокулярен модел).

- Включете охранването и осветлението ще се включи. Настройте яркостта на приблизително 70%. Поставете образеца върху предметната маса. Уверете се, че щипките държат образеца здраво на място.
- Ирисовата диафрагма трябва да се регулира съобразно с цифровата апертура на дадена леща. Най-добре е от практична гледна точка да направите ирисовата диафрагма малко по-малка от апертурата на избраната леща. Отворете или затворете ирисовата диафрагма с помощта на регулиращите винтове. Ако регулиращият винт се завърти надясно, ирисовата диафрагма е отворена докрай. Забележка: диафрагмата не е предназначена за регулиране на яркостта на осветлението. За да регулирате яркостта, използвайте бутона за регулиране на яркостта.
- Плъзнете държача за филтри, поставете филтъра в него, след което върнете държача в първоначалното му положение.
- За да промените увеличението на обектива, завъртете револверната глава, докато чуete щракване.
- Уверете се, че при регулиране на фокуса лещата не докосва образеца: въртете бутона за грубо фокусиране, докато образецът не застане на разстояние около 3,175 mm (1/8") от лещата.
- Като гледате през окуляра, бавно въртете бутона за грубо фокусиране, докато успеете да видите изображението на наблюдавания образец. Завъртете бутона за фино фокусиране, за да направите изображението по-ясно. Механизмът за фино фокусиране дава възможност да фокусирате върху наблюдавания образец, като същевременно използвате големи увеличения.
- Когато използвате обектив с маслена имерсия, пространството между образеца и лещата трябва да бъде запълнено с имерсионно масло. Повдигнете кондензатора в горно положение и поставете капка масло върху лещата и върху покривното стъкло на образеца. Движете револверната глава напред-назад, за да отстраните въздушните мехурчета в маслото. След това фиксирайте лещата на обектива в работната ѝ позиция. Уверете се, че цялото пространство между лещата на обектива и образеца е запълнено с масло. След употреба подсушете лещата.
- За да регулирате позицията на механичната скала (с изключение на 500M и 500T POL), завъртете бутона за грубо фокусиране по посока на часовниковата стрелка, ако искате да фиксирате позицията на механичната скала, или в посока, обратна на часовниковата стрелка, ако искате да я разхлабите.
- За да поставите образеца в зрителното поле, местете предметната маса хоризонтално напред-назад или наляво-надясно с помощта на бутона за преместване на предметната маса (с изключение на 500M и 500T POL).
- Погледнете през десния окуляр с дясното си око и регулирайте остротата на изображението с бутоните за грубо и фино фокусиране. Бинокулярни и тринокулярни модели: След това погледнете през левия окуляр с лявото си око и завъртете пръстена за регулиране на диоптъра, за да изравните разликата в зрението между лявото и дясното Ви око. Запомнете настройката за бъдеща употреба. Регулирайте разстоянието между тръбите на окулярите на бинокулярната глава така, че изображението да се слее в един кръг.
- Тринокулярни модели: можете да монтирате цифровата камера към третата тръба на окуляра.

## Наблюдение с поляризирана светлина

Микроскопът Levenhuk 500T POL е оборудван с анализатор (Фиг. 2a) и има вграден поляризатор (Фиг. 2b). Те ви позволяват да намалите отблясъците и паразитните отражения при изследване на лъскави обекти. Вкарайте анализатора в специалния слот на гърба на микроскопа, за да започнете да наблюдавате с поляризирана светлина. Настройте поляризатора на "0" - поляризаторът и анализаторът се разполагат под прав ъгъл. Въртете пръстена на поляризатора, за да промените ъгъла на поляризация. Микроскопът Levenhuk 500T POL е оборудван с кръгла предметна маса. Чрез въртене на предметната маса вие можете да промените ъгъла на поляризация и да наблюдавате промените в пречупването на светлината. Разхлабете фиксатора, за да завъртите предметната маса и го затегнете за да се застопори същата.

## Смяна на халогенна крушка

Изключете микроскопа от източника на охранване. Развийте с ръка набраздения винт, разположен отдолу на микроскопа, и отворете панела, за да разкриете лампата. Уверете се, че лампата се е охладила и я свалете. Не докосвайте новата

лампа с пръсти; пръстовите отпечатьци или замърсяванията ще намалят яркостта и живота на лампата. Използвайте ръкавици за смяна на лампата. Ако е необходимо, избършете лампата с чиста, мека кърпа. Използвайте лампа от подходящ тип. Вкарайте контактите в слота вертикално. Затворете панела и затегнете здраво с пръсти набраздения винт.

### **Смяна на предпазител**

Изключете микроскопа от източника на захранване. Отворете държача за предпазителя, намиращ се отзад на корпуса на микроскопа с отвертка с плоска глава. Отстранете стария предпазител и монтирайте нов. Използвайте само подходящи типове предпазители. Затворете държача за предпазителя.

## Спецификации

ИД на продукт	75424	75425	75426	75427
Модел	Levenhuk 500M	Levenhuk 500B	Levenhuk 500T	Levenhuk 500T POL
Тип	биологичен/оптичен			
Метод за изследване	на светлото поле			на светлото поле, поляризирана светлина
Увеличение	40–400x	40–1000x		
Разстояние между окулярите	–	48–75 mm		
Глава на окуляра	монокулярна, може да се завърта на 360°, наклонена на 45°	бинокулярна, може да се завърта на 360°, наклонена на 30°	тринокулярна, може да се завърта на 360°, наклонена на 30°	
Материал на оптиката	оптично стъкло			
Диаметър на тръбата на окуляра	23,2 mm			
Трета вертикална тръба на окуляра	–		23,2 mm	
Окуляри	WF10x/18 mm (1 бр.) с показалец	WF10x/18 mm (2 бр.)		
Регулиране на диоптъра на окуляра	–	±5 D		
Обективи	ахроматични: 4x, 10x, 40xs	ахроматични: 4x, 10x, 40xs, 100xs (с маслена имерсия)		
Револверна глава	3 обектива	4 обектива		
Диапазон на движение на предметната маса	–	70/30 mm		–
Предметна маса	110x110 mm, с държачи за образец	механична двуслойна, 115x125 mm, с механична скала		може да се завърта на 360°, Ø135 mm, с държачи за образци
Система за фокусиране	коаксиално, грубо (30 mm) и фино (0,002 mm)		коаксиално, грубо (16 mm) и фино (0,002 mm)	
Кондензатор	N.A. 0,65 ирисова диафрагма и държач за филтри	Abbe N.A. 1,25 ирисова диафрагма и държач за филтри, с регулируема височина		
Корпус	метал			
Осветление	по-слабо (халогенно, 12 V/20 W) с регулиране на яркостта			ниско (3 W светодиодно) с регулиране на яркостта
Колектор	+			
Поляризатор	–			+
Анализатор	–			+
Филтри	син, зелен, жълт			
Флакони с имерсионно масло	–	+		
Предпазител	1 бр.			
Захранване	110–220 V, чрез променливотоков адаптер			
Конектор за камера	–		+	

Levenhuk си запазва правото да променя или да преустанови предлагането на продукта без предварително уведомление.



**Внимание:** моля, вижте в таблицата с техническите спецификации правилното мрежово напрежение и никога не се опитвайте да включите устройство за 110 V в захранващо гнездо за 220 V изход и обратно, без да използвате преобразувател. Не забравяйте, че мрежовото напрежение в САЩ и Канада е 110 V и 220–240 V в повечето европейски страни.

## Грижи и поддръжка

- Никога и при никакви обстоятелства не гледайте директно към слънцето, друг ярък източник на светлина или лазер през това устройство, тъй като това може да предизвика **ПЕРМАНЕНТНО УВРЕЖДАНЕ НА РЕТИНАТА** и може да доведе до **СЛЕПОТА**.
- Предприемете необходимите превантивни мерки при използване на това устройство от деца или други, които не са прочели или които не са разбрали напълно тези инструкции.
- След като разпаковате Вашия микроскоп и преди да го използвате за първи път, проверете дали всички компоненти и връзки са здрави и с ненарушена цялост.
- Не се опитвайте да разглобявате устройството самостоятелно. За всякакви ремонти се обръщайте към местния специализиран сервизен център.
- Предпазвайте устройството от внезапни удари и прекомерна механична сила. Не прилагайте прекомерен натиск при настройване на фокусирането. Не пренатягайте заключващите винтове.
- Не пипайте повърхностите на оптиката с пръсти. За почистване на отвън, използвайте само специални кърпички и течности за почистване на оптика от Levenhuk. Не използвайте корозивни течности или такива на основата на ацетон за почистване на оптиката.
- Абразивните частици, като напр. пясък, не трябва да бъдат забърсвани от лещите, а трябва да бъдат издухвани или изчетквани с мека четка.
- Не използвайте устройството за продължителни периоди от време и не го оставяйте без надзор на директна слънчева светлина. Пазете устройството далече от вода и висока влажност.
- Бъдете внимателни по време на наблюдения, винаги поставяйте покривалото против прах обратно на мястото му, след като сте приключили с наблюдението, за да предпазите устройството от прах и поява на петна.
- Ако не използвате Вашия микроскоп за продължителни периоди от време, съхранявайте лещите на обектива и окулярите отделно от микроскопа.
- Съхранявайте устройството на сухо и хладно място, далеч от опасни киселини и други химикали, далеч от отоплителни уреди, открит огън и други източници на високи температури.
- Когато използвате микроскопа, опитайте да не го използвате в близост до запалими материали или вещества (бензен, хартия, картон, пластмаса и т.н.), тъй като основата може да се нагрее по време на употреба и може да възникне опасност от пожар.
- Винаги изключвайте микроскопа от източника на захранване, преди да отворите основата или да смените осветителната лампа. Независимо от вида на лампата (халогенна или с нажежаема жичка) я оставете да се охлади за кратко, преди да опитате да я смените, и винаги я сменяйте с лампа от същия тип.
- Винаги използвайте захранване с подходящо напрежение, т.е. посоченото в спецификациите на Вашия нов микроскоп. Включването на инструмента в електрически контакт с различно напрежение ще повреди електрическата верига на микроскопа, ще изгори лампата или може дори да причини късо съединение.
- Потърсете веднага медицинска помощ, ако погълнете малка част или батерия.

## Международна доживотна гаранция от Levenhuk

Всички телескопи, микроскопи, бинокли и други оптични продукти от Levenhuk, с изключение на аксесоарите, имат **доживотна гаранция** за дефекти в материалите и изработката. Доживотната гаранция представлява гаранция, валидна за целия живот на продукта на пазара. За всички аксесоари Levenhuk се предоставя гаранция за липса на дефекти на материалите и изработката за период от **две години** от датата на покупка на дребно. Levenhuk ще ремонтира или замени всеки продукт или част от продукт, за които след проверка от страна на Levenhuk се установи наличие на дефект на материалите или изработката. Задължително условие за задължението на Levenhuk да ремонтира или замени такъв продукт е той да бъде върнат на Levenhuk заедно с документ за покупка, който е задоволителен за Levenhuk.

Тази гаранция не покрива консумативи, като крушки (електрически, LED, халогенни, енергоспестяващи или други типове лампи), батерии (акумулаторни и неакумулаторни), електрически консумативи и т.н.

За повече информация посетете нашата уебстраница: [www.levenhuk.bg/garantsiya](http://www.levenhuk.bg/garantsiya)

Ако възникнат проблеми с гаранцията или ако се нуждаете от помощ за използването на Вашия продукт, свържете се с местния представител на Levenhuk.

## Všeobecné informace

Než začnete pracovat s mikroskopem, přečtěte si pečlivě Návod k použití. Při správném používání jsou biologické mikroskopy Levenhuk řady 500 bezpečné z hlediska ochrany zdraví, života i majetku spotřebitele, životního prostředí a splňují požadavky mezinárodních norem. Tyto mikroskopy jsou určeny k pozorování průhledných objektů v procházejícím světle pomocí metody jasného zorného pole. Mohou se dobře uplatnit v klinickém výzkumu a testování, při ukázkách během výuky, v bakterioskopii a cytologii v lékařských a zdravotnických zařízeních, v laboratořích i na univerzitách, a lze je použít ke klinickému výzkumu v zemědělství a mikrobiologii.

## Sestavení mikroskopu

- Mikroskop opatrně vybalte a položte na rovný povrch.
- Odstraňte plastové sáčky a prachotěsnou krytku hlavy okuláru.
- Namontujte monokulární, binokulární nebo trinokulární hlavu a utáhněte pojistný šroub.
- Zkontrolujte všechny položky obsažené v sadě a definujte jejich účel.
- Připojte napájecí kabel k mikroskopu a zapojte jej.

## Použití

Viz Obr. 1a (monokulární model), Obr. 1b (binokulární model), Obr. 1c a Obr. 1d (trinokulární model).

- Zapněte napájení a osvětlení se zapne. Nastavte jas přibližně na 70%. Umístěte vzorek na pracovní stůl mikroskopu. Ujistěte se, že spony drží vzorek pevně na svém místě.
- Irisová clona by měla být nastavena podle numerické clony objektivu. Osvědčenou praxí je nastavit irisovou clonu na hodnotu o něco menší než je clona zvolené čočky objektivu. Otevřete nebo zavřete irisovou clonu pomocí seřizovacích šroubů. Pokud se seřizovací šroub otočí doprava, irisová clona se zcela otevře. **Poznámka:** tato clona není určena k nastavení jasu osvětlení. Pokud chcete seřídit jas, použijte knoflík pro nastavení jasu.
- Zasuňte držák filtru, vložte do něj filtr a poté držák vraťte do původní polohy.
- Pokud chcete změnit zvětšení objektivu, otáčejte revolverovým nosičem objektivů, dokud nezaklapne.
- Při úpravě zaostření se ujistěte, že se čočka objektivu nedotkla vzorku: otáčejte knoflíkem pro hrubé zaostření, dokud není vzorek ve vzdálenosti asi 3,175 mm (1/8") od čočky objektivu.
- Dívejte se do okuláru a pomalu otáčejte knoflíkem pro hrubé zaostření, dokud nevidíte obraz pozorovaného vzorku. Otočením knoflíku pro jemné zaostření se obraz zcela zaostří. Mechanismus jemného zaostření umožňuje zaostřit na pozorovaný vzorek při použití velkých zvětšení.
- Při použití imerzního objektivu by měl být prostor mezi preparátem a objektivem vyplněn imerzním olejem. Zvedněte kondenzor do horní polohy a dejte kapku oleje na čočku a krycí sklíčko vzorku. Pohybuje revolverovým nosičem objektivů tam a zpět, abyste se zbavili vzduchových bublin v oleji. Poté objektiv upevněte do pracovní polohy. Ujistěte se, že olej zaplňuje celý prostor mezi objektivem a vzorkem. Po použití objektivů otřete do sucha.
- Pokud chcete upravit polohu mechanického měřítka (s výjimkou 500M a 500T POL), otáčejte knoflíkem pro hrubé zaostření ve směru hodinových ručiček pro zafixování polohy mechanického měřítka, nebo proti směru hodinových ručiček pro uvolnění této polohy.
- K umístění vzorku do zorného pole posouvejte pracovní stůl vodorovně dozadu a dopředu nebo doleva a doprava pomocí otočného knoflíku stolku (s výjimkou 500M a 500T POL).
- Dívejte se pravým okem do pravého okuláru a upravte ostrost obrazu pomocí knoflíků pro hrubé a jemné zaostření. Poté se dívejte levým okem do levého okuláru a otáčejte kroužkem dioptrické korekce k vyrovnání rozdílu mezi viděním levého a pravého oka. Zapamatujte si toto nastavení pro budoucí použití. Nastavte vzdálenost mezi tubusy okuláru binokulární hlavy tak, aby se obraz soustředil do jednoho kruhu.
- Trinokulární modely: Umožňují instalaci digitálního fotoaparátu do tubusu třetího okuláru.

## Pozorování v polarizovaném světle

Mikroskop Levenhuk 500T POL je vybaven analyzátozem (Obr. 2a) a integrovaným polarizátorem (Obr. 2b). Tyto součásti vám umožňují snížit oslnění a rušivé odrazy při pozorování lesklých předmětů. K zahájení pozorování v polarizovaném světle vložte analyzátor do speciální štěrbině na zadní straně mikroskopu. Polarizátor nastavte na „0“ - polarizátor a analyzátor budou tak umístěny ortogonálně. Otáčením polarizačního kroužku změníte polarizační úhel. Mikroskop Levenhuk 500T POL je vybaven kulatým stolcem. Otáčením stolku můžete měnit polarizační úhel a sledovat změny v lomu světla. K otáčení stolku mikroskopu nejprve povolte držák a k jeho zajištění držák opět utáhněte.

## Výměna halogenové žárovky

Odpojte mikroskop od zdroje napájení. Povolte šroub s rýhovanou hlavou na spodní straně mikroskopu a otevřete panel, abyste získali přístup k žárovce. Ujistěte se, že žárovka vychladla a pak ji vyjměte. Nedotýkejte se nové žárovky svými prsty; otisky prstů nebo nečistoty sníží jas a životnost žárovky. Pro výměnu žárovky použijte rukavice. V případě potřeby otřete žárovku čistým měkkým hadříkem. Použijte žárovku vhodného typu. Vložte kontakty žárovky do zdírek ve svislém směru. Zavřete panel a šroub s rýhovanou hlavou pevně ručně utáhněte.

## Výměna pojistky

Odpojte mikroskop od zdroje napájení. Plochým šroubovákem otevřete držák pojistky umístěný na zadní straně těla mikroskopu. Vyjměte starou pojistku a nainstalujte novou. Používejte pouze vhodné typy pojistek. Zavřete držák pojistky.

## Technické údaje

ID produktu	75424	75425	75426	75427
Model	Levenhuk 500M	Levenhuk 500B	Levenhuk 500T	Levenhuk 500T POL
Typ	biologický/optický			
Metoda pozorování	jasné pole, polarizované světlo			bright field, polarized light
Zvětšení	40–400x	40–1000x		
Osová vzdálenost mezi tubusy	–	48–75 mm		
Hlava okuláru	monokulární, otočná o 360°, nakloněná o 45°	binokulární, otočná o 360°, nakloněná o 30°	trinokulární, otočná o 360°, nakloněná o 30°	
Materiál optiky	optické sklo			
Průměr tubusu okuláru	23,2 mm			
Třetí vertikální tubus okuláru	–	23,2 mm		
Okuláry	WF10x/18 mm (1 ks) s ukazovátkem	WF10x/18 mm (2 ks)		
Dioptrická korekce okuláru	–	±5 D		
Objektivy	achromatické: 4x, 10x, 40xs	achromatické: 4x, 10x, 40xs, 100xs (pro pozorování s olejovou imerzí)		
Revolverový nosič objektivů	3 objektivy	4 objektivy		
Rozsah posuvu pracovního stolku	–	70/30 mm	–	
Pracovní stolek	110x110 mm, včetně držáků preparátů	mechanický se dvěma vrstvami, 115x125 mm, s mechanickým měřítkem	otočný o 360°, Ø 135 mm, s držákem na vzorky	
Systém ostření	koaxiální, hrubé (30 mm) a jemné (0,002 mm)		koaxiální, hrubé (16 mm) a jemné (0,002 mm)	
Kondenzor	N.A. 0,65 s irisovou clonou a držákem filtru	Abbeův N.A. 1,25 s irisovou clonou a držákem filtru, s nastavitelnou výškou		
Tělo	kov			
Osvětlení	spodní (halogenová žárovka, 12 V/20 W) s nastavením jasu			dolní (3 W LED) s nastavením jasu
Kolektor	+			
Polarizátor	–			+
Analyzátor	–			+
Filtry	modrý, zelený, žlutý			
Nádobka s imerzním olejem	–	+		
Pojistka	1 ks			
Napájení	110–220 V, prostřednictvím AC adaptéru			
Konektor fotoaparátu	–		+	

Společnost Levenhuk si vyhrazuje právo provádět bez předchozího upozornění úpravy jakéhokoliv výrobku, případně zastavit jeho výrobu.





**Upozornění:** Správné síťové napětí naleznete v tabulce technických parametrů. Bez použití měniče se nikdy nepokoušejte připojit zařízení dimenzované na napětí 220 V do zásuvky poskytující napětí 110 V a opačně. Mějte na paměti, že síťové napětí ve většině evropských zemí je 220–240 V, zatímco v USA a v Kanadě je to 110 V.

## Péče a údržba

- **Nikdy, za žádných okolností se tímto přístrojem nedívejte přímo do slunce, jiného světelného zdroje nebo laseru, neboť hrozí nebezpečí TRVALÉHO POŠKOZENÍ SÍTNICE a případně i OSLEPNUTÍ.**
- Při použití tohoto přístroje dětmi nebo osobami, které tento návod nečetly nebo s jeho obsahem nebyly plně srozuměny, uplatněte nezbytná preventivní opatření.
- Po vybalení mikroskopu a před jeho prvním použitím zkontrolujte neporušenost jednotlivých komponent a spojů.
- Nepokoušejte se přístroj sami rozebírat. S opravami veškerého druhu se obračejte na své místní specializované servisní středisko.
- Přístroj chraňte před prudkými nárazy a nadměrným mechanickým namáháním. Při zaostřování nevyvíjejte nadměrný tlak. Neutahujte šrouby konstrukce příliš silně.
- Nedotýkejte se svými prsty povrchů optických prvků. K vyčištění vnějších částí přístroje používejte výhradně speciální čisticí ubrousky a speciální nástroje k čištění optiky dodávané společností Levenhuk. K čištění optiky nepoužívejte žádné žíraviny ani kapaliny na acetonové bázi.
- Abrasivní částice, například písek, by se neměly z čoček otírat, ale sfouknout nebo smést měkkým kartáčkem.
- Přístroj příliš dlouho nepoužívejte ani neopouštějte bez dozoru na přímém slunci. Chraňte přístroj před stykem s vodou.
- Při pozorování dbejte na opatrnost; po skončení pozorování vždy nasad'te ochranný kryt, abyste mikroskop ochránili před prachem a jiným znečištěním.
- Pokud svůj mikroskop nebudete delší dobu používat, uložte čočky objektivu a okuláru odděleně od samotného mikroskopu.
- Přístroj ukládejte na suchém, chladném místě, mimo dosah nebezpečných kyselin nebo jiných chemikálií, topných těles, otevřeného ohně a jiných zdrojů vysokých teplot.
- Mikroskop nepoužívejte v blízkosti hořlavých materiálů nebo látek (benzín, papír, lepenka, plast apod.), neboť stativ se může při práci zahřívat a vyvolávat riziko požáru.
- Před otevřením stativu nebo výměnou žárovky osvětlení vždy mikroskop odpojte od zdroje napájení. Bez ohledu na typ žárovky (halogenová nebo obyčejná) ji nechejte před výměnou nějakou dobu vychladnout a vždy ji vyměňujte za žárovku stejného typu.
- Vždy používejte napájení o správném napětí tak, jak je uvedeno v technických údajích vašeho nového mikroskopu. Připojení přístroje do odlišné zásuvky může vést k poškození elektronických obvodů mikroskopu, spálení žárovky nebo dokonce vyvolat zkrat.
- **Při náhodném požití malé součásti nebo baterie ihned vyhledejte lékařskou pomoc.**

## Mezinárodní doživotní záruka Levenhuk

Na veškeré teleskopy, mikroskopy, triedry a další optické výrobky značky Levenhuk, s výjimkou příslušenství, se poskytuje **doživotní záruka** pokrývající vady materiálu a provedení. Doživotní záruka je záruka platná po celou dobu životnosti produktu na trhu. Na veškeré příslušenství značky Levenhuk se poskytuje záruka toho, že je dodáváno bez jakýchkoli vad materiálu a provedení, a to po dobu **dvou let** od data zakoupení v maloobchodní prodejně. Společnost Levenhuk provede opravu či výměnu výrobku nebo jeho části, u nichž se po provedení kontroly společností Levenhuk prokáže výskyt vad materiálu nebo provedení. Nezbytnou podmínkou toho, aby společnost Levenhuk splnila svůj závazek provést opravu nebo výměnu takového výrobku, je předání výrobku společně s dokladem o nákupu vystaveným ve formě uspokojivé pro Levenhuk.

Tato záruka se nevztahuje na spotřební materiál, jako jsou žárovky (klasické, LED, halogenové, úsporné a jiné typy žárovek), baterie (akumulátory i jednorázové baterie), elektromontážní spotřební materiál apod.

Další informace - navštivte naše webové stránky: [www.levenhuk.cz/zaruka](http://www.levenhuk.cz/zaruka)

V případě problémů s uplatněním záruky, nebo pokud budete potřebovat pomoc při používání svého výrobku, obraťte se na místní pobočku společnosti Levenhuk.

## Allgemeine Informationen

Machen Sie sich gründlich mit der Bedienungsanleitung vertraut, bevor Sie mit Ihrem Mikroskop arbeiten. Die Levenhuk-Biologiemikroskope der 500-Serie sind bei richtigem Einsatz sicher in der Anwendung, erfüllen Vorgaben internationaler Standards. Die Mikroskope sind zur Beobachtung transparenter Objekte im Durchlicht gemäß Hellfeld-Verfahren vorgesehen. Die Instrumente eignen sich für klinische Forschung und Tests, zu Demonstrationszwecken, zur Bakterio- und Zytoskopie im medizinischen Umfeld, zum Einsatz in Laboratorien, Universitäten und Schulen sowie zur wissenschaftlichen Forschung bei Agrikultur und Mikrobiologie.

## Mikroskop montieren

- Packen Sie das Mikroskop sorgfältig aus, stellen Sie das Instrument auf eine flache Unterlage.
- Nehmen Sie sämtliche Kunststoffbeutel und die Staubschutzhaube vom Okularkopf ab.
- Bringen Sie den Monokular-, Binokular- oder Trinokularkopf an, ziehen Sie die Fixierschraube an.
- Schauen Sie sich alle mitgelieferten Komponenten an, machen Sie sich mit deren Zweck vertraut.
- Schließen Sie das Stromversorgungskabel an das Mikroskop an, stecken Sie den Netzstecker in die Steckdose.

## Bedienung

Schauen Sie sich die Abbildungen 1a (Monokularmodell), 1b (Binokularmodell), 1c oder 1d (Trinokularmodell) an.

- Schalten Sie das Gerät ein, die Beleuchtung schaltet sich mit ein. Stellen Sie die Helligkeit auf etwa 70 % ein. Legen Sie die Probe auf den Objektstisch. Achten Sie darauf, dass die Probe unverrückbar von den Clips gehalten wird.
- Stellen Sie die Irisblende nach Bedarf ein. Am besten stellen Sie die Irisblende etwas kleiner als die Öffnung des ausgewählten Objektivs ein. Mit der Einstellschraube öffnen und schließen Sie die Irisblende. Wenn Sie die Einstellschraube nach rechts drehen, öffnet sich die Irisblende. **Hinweis:** Die Irisblende ist nicht zur Helligkeitsregelung der Beleuchtung gedacht. Ändern Sie die Beleuchtungshelligkeit mit dem Helligkeitsregler.
- Schieben Sie den Filterhalter beiseite, legen Sie den Filter ein, bringen Sie den Halter anschließend wieder in die Ursprungsposition.
- Zum Ändern der Objektivvergrößerung drehen Sie den Revolver, bis er einrastet.
- Achten Sie darauf, dass das Objektiv die Probe beim Scharfstellen nicht berührt: Drehen Sie den Grobtrieb, bis sich die Probe etwa 3 mm von der Objektivlinse entfernt befindet.
- Schauen Sie durch das Okular, drehen Sie den Grobtrieb langsam, bis Sie die Probe erkennen können. Stellen Sie die Abbildung nun mit dem Feintrieb scharf ein. Der Feintrieb ermöglicht gefühlvolles Scharfstellen bei höheren Vergrößerungen.
- Wenn Sie mit Immersionsöl arbeiten, muss der Raum zwischen Probe und Objektivlinse mit Immersionsöl gefüllt sein. Bringen Sie den Kondensator in die obere Position, geben Sie einen Tropfen Öl auf die Objektivlinse und auf das Deckglas der Probe. Bewegen Sie den Revolver zum Entfernen von Luftblasen im Öl leicht vor und zurück. Anschließend fixieren Sie das Objektiv in seiner Arbeitsposition. Achten Sie darauf, dass das Öl den gesamten Raum zwischen Objektiv und Objekt ausfüllt. Wischen Sie die Objektivlinse nach der Untersuchung wieder trocken.
- Zum Verstellen der physischen Skala (außer 500M und 500T POL), drehen Sie den Grobtrieb zum Fixieren der Skalaposition im Uhrzeigersinn, zum Lösen drehen Sie gegen den Uhrzeigersinn.
- Um die Probe ins Sehfeld zu holen, bewegen Sie den Objektstisch mit den Tischverstellungsknöpfen horizontal nach vorne, hinten, links oder rechts (außer 500M und 500T POL).
- Schauen Sie mit dem rechten Auge durch das rechte Okular, stellen Sie die Schärfe mit Grobtrieb und Feintrieb ein. Binokular- und Trinokularmodelle: Anschließend schauen Sie mit dem linken Auge durch das linke Okular. Verstellen Sie den Dioptrienring, bis Sie auch mit dem linken Auge scharf sehen. Merken Sie sich diese Einstellung für die Zukunft. Stellen Sie den Abstand der Okulartuben am Binokularkopf so ein, dass sich ein einziges, rundes Bild ergibt (keine „Acht“ wie in Spielfilmen).
- Trinokularmodelle: Der dritte Okulartubus dient zur Aufnahme einer Digitalkamera.

## Beobachtungen im polarisierten Licht

Das Levenhuk-Mikroskop 500T POL es mit einem Analysator (Abbildung 2a) und einem integrierten Polarisator (Abbildung 2b) ausgestattet. Diese beiden Zusatzeinrichtungen sorgen für weniger Blendung und Reflexionen beim Studieren glänzender Objekte. Setzen Sie den Analysator in die spezielle Aufnahme an der Rückseite des Mikroskops ein, wenn Sie mit Ihren Beobachtungen im polarisierten Licht beginnen möchten. Stellen Sie den Polarisator auf „0“ ein - Polarisator und Analysator werden rechtwinklig zueinander angeordnet. Zum Verstellen des Polarisationswinkels drehen Sie den Ring am Polarisator. Das Levenhuk-Mikroskop 500T POL ist mit einem runden Objektstisch ausgestattet. Durch Drehen des Objektstisches können Sie den Polarisationswinkel ändern, damit auch Veränderungen der Lichtbrechung beobachten. Zum Drehen des Objektstisches lösen Sie die Arretierung, danach ziehen Sie die Arretierung zum Fixieren des Objektstisches wieder an.

## Halogenleuchtmittel wechseln

Trennen Sie das Mikroskop von der Stromversorgung. Lösen Sie die Rändelschraube an der Unterseite des Mikroskops, öffnen Sie den Deckel; Sie gelangen nun an das Leuchtmittel. Achten Sie darauf, dass das Leuchtmittel komplett abgekühlt ist. Dann erst entnehmen. Berühren Sie das neue Leuchtmittel nicht mit den Fingern: Fingerabdrücke und andere Verschmutzungen vermindern die Helligkeit und verkürzen die Lebenserwartung des Leuchtmittels. Ziehen Sie beim Wechseln des Leuchtmittels Handschuhe über. Im Fall der Fälle wischen Sie das Leuchtmittel mit einem sauberen, weichen Tuch sauber. Verbinden Sie einen

Ersatzleuchtmittel des passenden Typs. Setzen Sie die Kontakte vertikal in den Schlitz ein. Schließen Sie den Deckel, ziehen Sie die Rändelschraube mit den Fingern an.

## Sicherung wechseln

Trennen Sie das Mikroskop von der Stromversorgung. Öffnen Sie den Sicherungshalter an der Rückseite des Mikroskops mit einem Schlitzschraubendreher. Nehmen Sie die alte Sicherung heraus, setzen Sie eine neue ein. Verwenden Sie nur Sicherungen des passenden Typs. Schließen Sie den Sicherungshalter.

## Technische Daten

Artikelnummer	75424	75425	75426	75427
Modell	Levenhuk 500M	Levenhuk 500B	Levenhuk 500T	Levenhuk 500T POL
Typ	biologisch/optisch			
Beobachtungsverfahren	Hellfeld			Hellfeld, polarisiertes Licht
Vergrößerung	40–400x	40–1000x		
Augenabstand-Einstellbereich	–	48–75 mm		
Kopf	Monokular, um 360 ° drehbar, 45 ° Neigung	Binokular, um 360 ° drehbar, 30 ° Neigung	Trinokular, um 360 ° drehbar, 30 ° Neigung	
Optisches Material	Optikglas			
Okulardurchmesser	23,2 mm			
Dritter vertikaler Tubus	–		23,2 mm	
Okulare	WF10x/18 mm (1 Stck.) mit Zeiger	WF10x/18 mm (2 Stck.)		
Dioptrien-Einstellbereich	–	±5 D		
Objektivlinsen	achromatisch: 4-, 10-, 40-fach	achromatisch: 4-, 10-, 40-fach (xs), 100-fach (Öl)		
Revolver	3 Objektive	4 Objektive		
Objekttischverstellbereich	–	70/30 mm		–
Objekttisch	110x110 mm, mit Probenhaltern	mechanischer Kreuztisch, 115x125 mm, mit physischer Skala		um 360 ° drehbar, 135 mm Durchmesser, mit Probenhaltern
Fokussierung	Koaxial, Grobtrieb (30 mm) und Feintrieb (0,002 mm)		Koaxial, Grobtrieb (16 mm) und Feintrieb (0,002 mm)	
Kondensator	0,65-Irisblende und Filterhalter	Abbe N.A., 1,25-Irisblende und Filter, höhenverstellbar		
Gehäuse	metal			
Beleuchtung	Von unten (Halogenleuchtmittel (12 V/20 W) mit Helligkeitsregelung			3-W-LED regelbare Helligkeit
Kollektor	+			
Polarisator	–			+
Analysator	–			+
Filter	blau, gelb, grün			
Fläschchen mit Immersionsöl	–	+		
Sicherung	1 Stck.			
Stromversorgung	110–220 V, über Netzteil			
Kameraanschluss	–		+	

Levenhuk behält sich das Recht vor, Produkte ohne vorherige Ankündigung zu modifizieren oder einzustellen.



**VORSICHT:** Die korrekte Netzspannung entnehmen Sie der Tabelle mit den technischen Daten. Schließen Sie ein 220-V-Gerät niemals ohne Spannungswandler an eine 110-V-Steckdose an und umgekehrt. In den meisten europäischen Ländern beträgt die Netzspannung 220–240 V; in den USA und Kanada beträgt sie 110 V.

## Pflege und Wartung

- **Richten Sie das Instrument unter keinen Umständen direkt auf die Sonne, andere helle Lichtquellen oder Laserquellen. Es besteht die Gefahr DAUERHAFTER NETZZHAUTSCHÄDEN und ERBLINDUNGSGEFAHR.**
- Treffen Sie geeignete Vorsichtsmaßnahmen, wenn Kinder oder Menschen das Instrument benutzen, die diese Anleitung nicht gelesen bzw. verstanden haben.
- Prüfen Sie nach dem Auspacken Ihres Mikroskops und vor der ersten Verwendung die einzelnen Komponenten und Verbindungen auf ihre Beständigkeit.
- Versuchen Sie nicht, das Instrument eigenmächtig auseinanderzunehmen. Wenden Sie sich für Reparaturen an ein spezialisiertes Servicecenter vor Ort.
- Schützen Sie das Instrument vor plötzlichen Stößen und anderen mechanischen Belastungen. Üben Sie beim Fokussieren keinen übermäßigen Druck aus. Wenden Sie keine übermäßige Kraft auf die Feststellschrauben und Fixierungsschrauben an.
- Berühren Sie die optischen Oberflächen nicht mit den Fingern. Verwenden Sie zur äußerlichen Reinigung des Instruments ausschließlich die speziellen Reinigungstücher und das spezielle Optik-Reinigungszubehör von Levenhuk. Reinigen Sie die Optik nicht mit korrodierenden Flüssigkeiten oder Flüssigkeiten auf Acetonbasis.
- Schleifkörper wie Sandkörner dürfen nicht abgewischt werden. Sie können sie wegblasen oder einen weichen Pinsel verwenden.
- Das Instrument ist nicht für Dauerbetrieb ausgelegt. Lassen Sie das Instrument nicht in direktem Sonnenlicht zurück. Halten Sie das Instrument von Wasser und hoher Feuchtigkeit fern.
- Lassen Sie Sorgfalt bei der Beobachtung walten und setzen Sie nach Abschluss der Beobachtung die Staubabdeckung wieder auf, um das Gerät vor Staub und Verschmutzungen zu schützen.
- Bewahren Sie bei längeren Phasen der Nichtbenutzung die Objektivlinsen und Okulare getrennt vom Mikroskop auf.
- Lagern Sie das Instrument an einem trockenen, kühlen Ort, der frei von Staub, gefährlichen Säuren und anderen Chemikalien ist, und in ausreichendem Abstand zu Heizgeräten, offenem Feuer und anderen Hochtemperaturquellen.
- Setzen Sie das Mikroskop nach Möglichkeit nicht in der Nähe brennbarer Materialien oder Substanzen (Benzen, Papier, Karton, Plastik usw.) ein, da sich der Sockel bei der Verwendung erhitzen kann und dies bei Anwesenheit brennbarer Stoffe ein Brandrisiko darstellt.
- Trennen Sie das Mikroskop immer vom Strom, bevor Sie den Sockel öffnen oder die Beleuchtungslampe austauschen. Lassen Sie sowohl Glühlampen als auch Halogenlampen vor dem Auswechseln zunächst abkühlen, und ersetzen Sie sie stets durch Lampen desselben Typs.
- Verwenden Sie stets eine Stromquelle mit der Spannung, die in den technischen Angaben zu Ihrem Mikroskop spezifiziert ist. Wird das Instrument an eine Steckdose mit abweichender Spannung angeschlossen, ist mit Beschädigung der elektrischen Schaltkreise des Mikroskops, Durchbrennen der Lampe oder sogar Kurzschlüssen zu rechnen.

## Lebenslange internationale Garantie

Levenhuk garantiert für alle Teleskope, Mikroskope, Ferngläser und anderen optischen Erzeugnisse mit Ausnahme von Zubehör **lebenslanglich** die Freiheit von Material- und Herstellungsfehlern. Die lebenslange Garantie ist eine Garantie, die für die gesamte Lebensdauer des Produkts am Markt gilt. Für Levenhuk-Zubehör gewährleistet Levenhuk die Freiheit von Material- und Herstellungsfehlern innerhalb von **zwei Jahren** ab Kaufdatum. Produkte oder Teile davon, bei denen im Rahmen einer Prüfung durch Levenhuk ein Material- oder Herstellungsfehler festgestellt wird, werden von Levenhuk repariert oder ausgetauscht. Voraussetzung für die Verpflichtung von Levenhuk zu Reparatur oder Austausch eines Produkts ist, dass dieses zusammen mit einem für Levenhuk ausreichenden Kaufbeleg an Levenhuk zurückgesendet wird.

Diese Garantie erstreckt sich nicht auf Verbrauchsmaterialien wie Leuchtmittel (Glühlampen, LEDs, Halogen- und Energiesparlampen u. a.), Batterien (wiederaufladbare Akkus und nicht wiederaufladbare Batterien), elektrisches Verbrauchsmaterial usw.

Weitere Einzelheiten entnehmen Sie bitte unserer Website: [www.levenhuk.de/garantie](http://www.levenhuk.de/garantie)

Bei Problemen mit der Garantie, oder wenn Sie Unterstützung bei der Verwendung Ihres Produkts benötigen, wenden Sie sich an die lokale Levenhuk-Niederlassung.

## Información general

Lea detenidamente el manual del usuario antes de comenzar a trabajar con un microscopio. Los microscopios biológicos de la serie Levenhuk 500 son seguros para el consumidor y el medio ambiente cuando se usan debidamente, y cumplen los requisitos de las normas internacionales. Estos microscopios están diseñados para observar objetos transparentes con luz transmitida mediante la técnica de campo claro. Tienen un buen rendimiento en investigación clínica y pruebas; demostraciones de enseñanza; bacterioscopia y citoscopia en establecimientos médicos y de salud, laboratorios, universidades y escuelas; y puede ser utilizado para investigación científica en agricultura y microbiología.

## Montaje del microscopio

- Desempaquete el microscopio con cuidado y colóquelo sobre una superficie plana.
- Retire las bolsas de plástico y la cubierta contra el polvo del cabezal.
- Instale el cabezal monocular, binocular o trinocular y apriete el tornillo de bloqueo.
- Examine todos los artículos incluidos en el kit y determine su función.
- Conecte el cable de alimentación al microscopio y a la toma de corriente.

## Utilización

Consulte la fig. 1a (modelo monocular), fig. 1b (modelo binocular), fig. 1c y la fig. 1d (modelo trinocular).

- Encienda la alimentación y la iluminación se encenderá. Establezca el brillo en aproximadamente el 70%. Coloque la muestra en la platina. Asegúrese de que las pinzas sostengan la muestra firmemente en su lugar.
- El diafragma iris se debe ajustar de acuerdo con la apertura numérica de la lente seleccionada. La práctica recomendada es hacer que la apertura del diafragma iris sea un poco más pequeña que la apertura de la lente seleccionada. Abra o cierre el diafragma iris con los tornillos de ajuste. Si el tornillo de ajuste está girado hacia la derecha, el diafragma iris está completamente abierto. Nota: el diafragma no está diseñado para ajustar el brillo de la iluminación. Para ajustar el brillo, utilice el mando de ajuste del brillo.
- Deslice el soporte de filtro, coloque el filtro en él y luego devuelva el soporte a su posición inicial.
- Para cambiar el factor de ampliación del objetivo, gire el revólver giratorio hasta que quede encajado.
- Tenga cuidado de que la lente no toque la muestra cuando ajuste el enfoque: gire el mando de enfoque aproximado hasta que la muestra esté a unos 3,175 mm de distancia de la lente.
- Mientras mira a través de ocular, gire lentamente el mando de enfoque aproximado hasta que pueda ver la imagen de la muestra observada. Gire el mando de enfoque preciso para que imagen sea nítida. El mecanismo de enfoque preciso le permite enfocar en la muestra observada cuando utiliza grandes aumentos.
- Cuando utiliza un objetivo de inmersión en aceite, el espacio entre la muestra y la lente se debe llenar con aceite de inmersión. Coloque el condensador en la posición alta y coloque una gota de aceite en la lente y en el cubreobjetos de la muestra. Mueva el revólver giratorio hacia adelante y hacia atrás para eliminar las burbujas de aire presentes en el aceite. Luego, fije la lente objetivo en su posición de trabajo. Asegúrese de que el aceite llene todo el espacio entre la lente objetivo y la muestra. Después de su uso, seque la lente.
- Para ajustar la posición de la escala mecánica (excepto para 500M y 500T POL), gire el botón de enfoque aproximado en el sentido de las agujas del reloj para fijar la posición de la escala mecánica, o en el sentido contrario a las agujas del reloj para aflojarla.
- Para colocar la muestra en el campo de visión, mueva la platina horizontalmente hacia adelante y hacia atrás o hacia la izquierda y hacia la derecha con el mando de movimiento de la platina (excepto para 500M y 500T POL).
- Mire a través del ocular derecho con su ojo derecho y ajuste la nitidez de la imagen con los mandos de enfoque aproximado y enfoque preciso. Modelos binoculares y trinoculares: Luego, mire a través del ocular izquierdo con su ojo izquierdo y gire el anillo de ajuste de dioptrías para igualar la diferencia entre la visión de sus ojos izquierdo y derecho. Registre las posiciones de ajuste para un uso futuro. Ajuste la distancia entre los tubos oculares del cabezal binocular para que la imagen se fusione y forme un solo círculo.
- Modelos trinoculares: puede instalar la cámara digital en el tercer tubo ocular.

## Observación en luz polarizada

El microscopio Levenhuk 500T POL está equipado con un analizador (Fig. 2a) y está equipado con un polarizador integrado (Fig. 2b). El polarizador permite reducir el resplandor y los reflejos espurios al estudiar objetos brillantes. Inserte el analizador en una ranura especial en la parte posterior del microscopio para comenzar a observar con luz polarizada. Ajuste el polarizador a «0»: el polarizador y el analizador se colocarán ortogonalmente. Gire el anillo polarizador para cambiar el ángulo de polarización. El microscopio Levenhuk 500T POL está equipado con una platina redonda. Al girar la platina podrá cambiar el ángulo de polarización y observará cambios en la refracción de la luz. Afloje el retenedor para girar la platina y apriete el retenedor para fijarla.

## Sustitución de la bombilla halógena

Desenchufe el microscopio de la fuente de alimentación. Afloje el tornillo moleteado en la parte inferior del microscopio y abra el panel para exponer la lámpara. Asegúrese de que la lámpara se haya enfriado y luego retírela. No toque la nueva lámpara con los dedos; las huellas digitales o la suciedad reducirán el brillo y la vida útil de la lámpara. Use guantes para reemplazar la lámpara. Si es necesario, limpie la lámpara con un paño limpio y suave. Use una lámpara de un tipo adecuado. Inserte los contactos verticalmente en el zócalo de conexión. Cierre el panel y apriete el tornillo moleteado con el dedo.

## Reemplazo de fusibles

Desenchufe el microscopio de la fuente de alimentación. Abra el portafusibles ubicado en la parte posterior del cuerpo del microscopio con un destornillador de cabeza plana. Retire el fusible antiguo e instale uno nuevo. Utilice solo los tipos apropiados de fusibles. Cierre el portafusibles.

## Especificaciones

ID de producto	75424	75425	75426	75427
Modelo	Levenhuk 500M	Levenhuk 500B	Levenhuk 500T	Levenhuk 500T POL
Tipo	biológico/óptico			
Método de observación	campo claro			campo claro, luz polarizada
Ampliación:	40–400x	40–1000x		
Distancia interpupilar	–	48–75 mm		
Cabezal	monocular, giratorio 360°, inclinado a 45°	binocular, giratorio 360°, inclinado a 30°	trinocular, giratorio 360°, inclinado a 30°	
Material de la óptica	vidrio óptico			
Diámetro del tubo ocular	23,2 mm			
Tercer tubo ocular vertical	–		23,2 mm	
Oculares	WF10x/18 mm (1 unidad) con puntero	WF10x/18 mm (2 unidades)		
Ajuste de dioptrías del ocular	–	±5 D		
Objetivos	acromático: 4x, 10x, 40xs	acromático: 4x, 10x, 40xs, 100xs (inmersión en aceite)		
Revólver giratorio	3 objetivos	4 objetivos		
Rango de desplazamiento de la platina	–	70/30 mm		–
Platina	110x110 mm, con portamuestras	mecánica, de doble capa, 115x125 mm, con micrómetro mecánico		giratorio 360°, Ø135 mm, con portaobjetos
Sistema de enfoque	coaxial, aproximado (30 mm) y preciso (0,002 mm)		coaxial, aproximado (16 mm) y preciso (0,002 mm)	
Condensador	N.A. 0,65 con diafragma iris y soporte de filtro	Abbe N.A. 1,25 con diafragma iris y soporte de filtro, con altura ajustable		
Cuerpo	metal			
Iluminación	inferior (lámpara halógena, 12V/20W) con ajuste del brillo			inferior (LED de 3 W) con ajuste del brillo
Lente colectora	+			
Polarizador	–			+
Analizador	–			+
Filtros	azul, verde, amarillo			
Tubo de aceite de inmersión	–	+		
Fusible	1 unidad			
Fuente de alimentación	110–220V, a través del adaptador de CA			
Conector de cámara	–		+	

Levenhuk se reserva el derecho a modificar o descatalogar cualquier producto sin previo aviso.



**Advertencia:** Consulte en la tabla de especificaciones cuál es la tensión de alimentación adecuada para este instrumento y no intente nunca conectar un aparato de 220 V en un enchufe de 110 V o viceversa sin utilizar un convertidor. Recuerde que la tensión de red en la mayor parte de los países europeos es 220–240 V mientras que en los EUA y Canadá es 110 V.

## Cuidado y mantenimiento

- **Nunca, bajo ninguna circunstancia, mire directamente al sol, a otra fuente de luz intensa o a un láser a través de este instrumento, ya que esto podría causar DAÑO PERMANENTE EN LA RETINA y CEGUERA.**
- Tome las precauciones necesarias si utiliza este instrumento acompañado de niños o de otras personas que no hayan leído o que no comprendan totalmente estas instrucciones.
- Tras desembalar el microscopio y antes de utilizarlo por primera vez, compruebe el estado y la durabilidad de cada componente y cada conexión.
- No intente desmontar el instrumento usted mismo bajo ningún concepto, ni siquiera para limpiar el espejo. Si necesita repararlo o limpiarlo, contacte con el servicio técnico especializado que corresponda a su zona.
- Proteja el instrumento de impactos súbitos y de fuerza mecánica excesiva. No aplique una presión excesiva al ajustar el foco. No apriete demasiado los tornillos de bloqueo.
- No toque las superficies ópticas con los dedos. Para limpiar el exterior del instrumento, utilice únicamente los paños y herramientas de limpieza especiales de Levenhuk. No limpie las superficies ópticas con fluidos corrosivos ni a base de acetonas.
- No limpie las partículas abrasivas, como por ejemplo arena, con un paño. Únicamente soplelas o bien pase un cepillo blando.
- No utilice este dispositivo durante períodos largos de tiempo ni lo deje sin atender bajo la luz directa del sol. Protéjalo del agua y la alta humedad.
- Tenga cuidado durante las observaciones y cuando termine recuerde volver a colocar la cubierta para proteger el dispositivo del polvo y las manchas.
- Si no va a utilizar el microscopio durante periodos largos de tiempo, guarde las lentes del objetivo y los oculares por separado del microscopio.
- Guarde el instrumento en un lugar seco y fresco, alejado de ácidos peligrosos y otros productos químicos, radiadores, de fuego y de otras fuentes de altas temperaturas.
- Cuando uses el microscopio intenta no hacerlo cerca de materiales o sustancias inflamables (benceno, papel, cartón, plástico, etc.) ya que la base puede calentarse con el uso y suponer un riesgo de incendio.
- Desconecta siempre el microscopio de la fuente de alimentación antes de abrir la base o cambiar la bombilla. Independientemente del tipo de lámpara (halógena o incandescente), dale tiempo de enfriarse antes de cambiarla y sustitúyela siempre por otra del mismo tipo.
- Utiliza siempre una fuente de alimentación con el voltaje apropiado, el indicado en las especificaciones de tu nuevo microscopio. Si conectas el instrumento a un enchufe distinto podrías dañar el circuito eléctrico, fundir la lámpara o incluso provocar un cortocircuito.
- **En el caso de que alguien se trague una pieza pequeña o una pila, busque ayuda médica inmediatamente.**

## Garantía internacional de por vida Levenhuk

Todos los telescopios, microscopios, prismáticos y otros productos ópticos de Levenhuk, excepto los accesorios, cuentan con una **garantía de por vida** contra defectos de material y de mano de obra. La garantía de por vida es una garantía a lo largo de la vida del producto en el mercado. Todos los accesorios Levenhuk están garantizados contra defectos de material y de mano de obra durante **dos años** a partir de la fecha de compra en el minorista. Levenhuk reparará o reemplazará cualquier producto o pieza que, una vez inspeccionada por Levenhuk, se determine que tiene defectos de materiales o de mano de obra. Para que Levenhuk pueda reparar o reemplazar estos productos, deben devolverse a Levenhuk junto con una prueba de compra que Levenhuk considere satisfactoria.

Esta garantía no cubre productos consumibles como bombillas (eléctricas, LED, halógenas, de bajo consumo y otros tipos de lámparas), pilas (recargables y no recargables), consumibles eléctricos, etc.

Para más detalles visite nuestra página web: [www.levenhuk.es/garantia](http://www.levenhuk.es/garantia)

En caso de problemas con la garantía o si necesita ayuda en el uso de su producto, contacte con su oficina de Levenhuk más cercana.

## Általános Információk

Figyelmesen olvassa el a felhasználói kézikönyvet, mielőtt dolgozni kezdene a mikroszkóppal. A Levenhuk 500 sorozatú biológiai mikroszkópok normál használat esetén a vásárló egészségére, életére, tulajdonára és a környezetre nem ártalmasak, továbbá megfelelnek a nemzetközi szabványoknak. A mikroszkópokat áteső fényben történő, világos látóterű módszert használó megfigyelésre tervezték. Jól teljesítenek klinikai kutatásban és vizsgálatokban; oktatási bemutatókban; orvosi és egészségügyi intézményekben, laboratóriumokban, egyetemeken, iskolákban; mezőgazdaságban és mikrobiológiában tudományos kutatáshoz használhatók.

## A mikroszkóp összeszerelése

- Óvatosan csomagolja ki a mikroszkópot és helyezze egyenes felületre.
- Távolítsa el a műanyag zacskókat és a szemlencse fejrészről a porvédő fedelet.
- Szerelje fel az egy-, kettő-, vagy háromszemlencsés fejrészt és húzza meg a szorítócsavart.
- Vizsgáljon meg a készletben mindent, határozza meg mire valók.
- Csatlakoztassa a tápkábel a mikroszkóphoz és dugja be.

## Használat

Lásd az 1a (egyszemlencsés modell), 1b (kétszemlencsés modell), 1c és az 1d (háromszemlencsés modell) ábrát.

- Kapcsolja be az áramot és a világítás működni kezd. Mintegy 70%-ra állítsa be a fényerőt. Helyezze a mintát a tárgyasztalra. Figyeljen, hogy a szorítók stabilan tartsák a helyükön a mintát.
- Az írisz fényrekeszt a lencse f számának megfelelően kell beállítani. A gyakorlat azt mutatja, hogy legjobb az írisz fényrekeszt kissé kisebbre állítani a kiválasztott lencse rekesznyílásánál. Nyissa ki vagy zárja be az írisz diafragmát az állítócsavarokkal. Az írisz fényrekeszt teljesen nyitva van, ha jobbra fordítják el az állítócsavart. **Megjegyzés:** a fényrekesznek nem célja a megvilágítás fényerejének állítása. A fényerő állításához a fényerősség állítógombot használja.
- Csúsztassa ki a szűrőtartót, tegye bele a szűrőt, majd vigye vissza a tartót az eredeti helyzetébe.
- Az objektív nagyításának módosításához fordítsa el kattanásig a revolverfejet.
- Figyeljen a fókusz beállításakor, hogy a lencse ne érjen a mintához: forgassa a durva-fókuszállító gombot, hogy a minta körülbelül 3,175 mm (1/8") távolságra legyen a lencsétől.
- A szemlencsébe nézve forgassa lassan a durva-fókuszállító gombot, amíg meg nem látja a vizsgált minta képét. A finom-fókuszállító gomb forgatásával állítsa élesre a képet. A finom fókuszáló szerkezet nagy nagyítás mellett teszi lehetővé a vizsgált mintára fókuszálást.
- Olajimmerziós objektív használatokor a minta és a lencse közötti tért immerziós olaj tölti ki. Emelje a felső helyzetbe a kondenzort és tegyen az objektívra és a mintát fedő üvegre egy csepp olajat. Mozgassa a revolverfejet előre és hátra, hogy eltávolítsa az olajban lévő levegőbuborékokat. Ezután rögzítse a tárgylencsét a munkapozíciójában. Győződjön meg arról, hogy az olaj kitölti-e a tárgylencse és a minta közötti teljes teret. Használat után törölje szárazra az objektívet.
- A mechanikus skála helyzetének módosításához (500M és 500T POL kivételével) a durva-fókuszállító gombot az óra mutató járásával megegyező irányba forgassa, ha rögzíteni szeretné a mechanikus skálát, vagy azzal ellentétesen, ha ki szeretné lazítani.
- Hozza be a mintát a látómezőbe úgy, hogy a tárgyasztalt vízszintesen előre-hátra vagy jobbra-balra mozgatja a tárgyasztal mozgó gombbal (500M és 500T POL kivételével).
- Jobb szemével nézzen a szemlencsébe és állítsa be a kép élességet a durva- és a finomfókusz-állító gombokkal. Egyszemlencsés, kétszemlencsés modellek: Utána nézzen bal szemével a bal szemlencsébe és forgassa a dioptria-állító gyűrűt, hogy kiegyenlítse a bal és jobb szem látáserőssége közötti különbséget. Jegyezze meg a beállítást, hogy azt később is használhassa. Állítsa be a kétszemlencsés fejrész szemlencsecsővei közötti távolságot úgy, hogy a kép egyetlen körré olvadjon össze.
- Trinokuláris modell: a digitális kamera a harmadik szemlencsecsőre szerelhető.

## Megfigyelés polarizált fényben

A Levenhuk 500T POL mikroszkóp analízátorral (2a ábra) és beépített polarizátorral (2b ábra) van felszerelve. Segítségükkel csökkenthető a vakító és zavaró fényvisszaverődés a fényes objektumok megfigyelésekor. Helyezze be az analízátort a mikroszkóp hátulján kialakított, speciális nyílásba, hogy elkezdhesse a polarizált fényben történő megfigyelést. Állítsa a polarizátort a „0” pozícióba - ekkor a polarizátor és az analízátor derékszögben fog állni. Forgassa el a polarizátor gyűrűjét a polarizációs szög módosításához. A Levenhuk 500T POL mikroszkóp kerek tárgyasztallal van felszerelve. A tárgyasztal elforgatásával módosíthatja a polarizációs szöget, és változásokat figyelhet meg a fénytörésben. A rögzítőelem meglazításával elforgathatja a tárgyasztalt, míg a rögzítőelem meghúzásával rögzítheti a tárgyasztalt.

## Halogénlámpa csere

Húzza ki a mikroszkópot a tápellátásról. Lazítsa meg a recézett csavart a mikroszkóp alján és a panelt kinyitva hozzáférhet az izzóhoz. Várja meg, amíg a lámpa lehűl, utána távolítsa el. Ne fogja meg az új lámpát az ujjával; az ujjlenyomatok és a szennyeződés lecsökkenti a fényerőt és a lámpa élettartamát. Kesztyűt húzva cserélje ki a lámpát. Ha szükséges, törölje le a lámpát tiszta, puha ronggyal. Megfelelő típusú lámpát használjon. Az érintkezőket függőlegesen helyezze be a nyílásba. Utána zárja a panelt és húzza meg a recézett csavart az ujjával.



## Biztosító csere

Húzza ki a mikroszkópot a tápellátásról. Csavarhúzóval nyissa ki a mikroszkóp váz hátoldalán az olvadó biztosító csavaros kupakját. Vegye ki a régi biztosítót és tegyen be újat. Csakis megfelelő típusú biztosítót használjon. Zárja rá a biztosító kupakot.

## Műszaki adatok

Termékazonosító	75424	75425	75426	75427
Modell	Levenhuk 500M	Levenhuk 500B	Levenhuk 500T	Levenhuk 500T POL
Típus	biológiai/optikai			
Vizsgálati módszer	világos látótér			világos látótér, polariált fény
Nagyítás	40–400x	40–1000x		
Pupillatávolság	–	48–75 mm		
Szemlencse fejrész	egyszemlencsés, 360°-ban elforgatható, 45°-os szögben döntött	kétszemlencsés, 360°-ban elforgatható, 30°-os szögben döntött	háromszemlencsés, 360°-ban elforgatható, 30°-os szögben döntött	
Optika anyaga	optikai üveg			
A szemlencsecső átmérője	23,2 mm			
Harmadik függőleges szemlencsecső	–	23,2 mm		
Szemlencsék	WF10x/18 mm (1 db) irányzóval	WF10x/18 mm (2 db)		
A szemlencse dioptriája állítható	–	±5 D		
Objektívek	akromatikus: 4x, 10x, 40xs	akromatikus: 4x, 10x, 40xs, 100xs (olaj)		
Revolverfej	3 objektív	4 objektív		
Tárgasztal elmozdulási tartomány	–	70/30 mm		–
Tárgasztal	110x110 mm, minta tartókkal	kétrétegű mechanikus, 115x125 mm, mechanikus skálával	360° forgatható, Ø135 mm, mintatartókkal	
Élességállítási (más néven: fókuszálási) rendszer	koaxiális, durva (30 mm) és finom (0,002 mm)		koaxiális, durva (16 mm) és finom (0,002 mm)	
Kondenzor	N.A. 0,65 írisz diafragma és szűrőtartó	Abbe N.A. 1,25 írisz diafragma és szűrőtartó, állítható magasságú		
Váz	metal			
Megvilágítás	alsó (halogén, 12 V/20 W) fényerő-szabályozással			alsó (3 W LED) fényerő-szabályozással
Kollektor	+			
Polarizáló	–	+		
Analizáló	–	+		
Szűrők	kék, zöld, sárga			
Fiolányi immerziós olaj	–	+		
Biztosító	1 ks			
Tápellátás	110–220 V, AC tápadapterről			
Kamera csatlakozóelem	–	+		

A Levenhuk vállalat fenntartja a jogot, hogy bármely termékét előzetes értesítés nélkül módosítsa vagy kivonja a forgalomból.



**Vigyázat:** Kérjük, a megfelelő feszültséggel kapcsolatban nézze meg a műszaki leírást, és soha ne próbálja meg a 110 V-os eszközt 220 V-os aljzathoz csatlakoztatni (és fordítva) átalakító használata nélkül. Ne feledje, hogy az Egyesült Államokban és Kanadában a hálózati feszültség 110 V, míg a legtöbb európai országban 220–240 V.

## Ápolás és karbantartás

- Ennek az eszköznek a használatával soha, semmilyen körülmények között ne nézzen közvetlenül a Napba, vagy egyéb, nagyon erős fényforrásba vagy lézersugárba, mert ez **MARADANDÓ KÁROSODÁST OKOZ A RETINÁJÁBAN ÉS MEG IS VAKULHAT.**
- Legyen kellően óvatos, ha gyermekekkel vagy olyan személyekkel együtt használja az eszközt, akik nem olvasták vagy nem teljesen értették meg az előbbieken felsorolt utasításokat.
- A mikroszkóp kicsomagolása után, de még annak legelső használata előtt ellenőrizze az alkatrészek és csatlakozások sérülésmentes állapotát és tartósságát.
- Bármilyen legyen is az ok, semmiképpen ne kísérelje meg szétszerelni az eszközt. Ha javításra vagy tisztításra szorul az eszköz, akkor keresse fel az erre a célra specializálódott helyi szolgáltatóközpontot.
- Óvja az eszközt a hirtelen behatásoktól és a hosszabb ideig tartó mechanikai erőktől. Ne használjon túlzott erőt a fókuszbéállításánál. Ne húzza túl a szorítócsavarokat.
- Az optikai elemek felületéhez soha ne érjen az ujjaiával. Az eszköz külső megtisztításához használja a Levenhuk által erre a célra gyártott tisztítókendőt és optikai tisztító eszközöket. Az optikai elemek tisztításához ne használjon maró hatású vagy acetonnal alapú folyadékokat.
- A kopató hatású részecskéket, például a homokot ne törlessel, hanem fújással vagy puha ecsettel távolítsa el a lencséről.
- Ne használja az eszközt hosszú időtartamon keresztül a tűző napon, vagy ne hagyja ott felügyelet nélkül. Tartsa az eszközt víztől és magas páratartalomtól védett helyen.
- Legyen körültekintő a megfigyelések során, mindig helyezze vissza a porvédőt a megfigyelés befejeztével, így megóvhatja az eszközt a portól és a szennyeződésektől.
- Ha a mikroszkóp hosszabb ideig használaton kívül van, akkor a mikroszkóptól elkülönítetten tárolja az objektívlencsét és a szemlencsét.
- Száraz, hűvös helyen tárolja az eszközt, veszélyes savaktól és egyéb kémiai anyagoktól elkülönítetten, hőszigeteltől, nyílt lángtól és egyéb, magas hőmérsékletet leadni képes forrásoktól távol.
- Lehetőség szerint ne használja a mikroszkópot gyúlékony anyagok közelében (benzol, papír, kartonlap, műanyag, stb.), mivel a megfigyelés során a mikroszkóp talpazata felmelegedhet és így tűzveszélyessé válhat. A talpazat kinyitása vagy a megvilágítást biztosító izzó kicserélése előtt minden esetben áramtalanítsa a mikroszkópot. Csere előtt az izzó típusától függetlenül (halogén vagy hagyományos) minden esetben várja meg, amíg az izzó lehűl, és mindig ugyanolyan típusú izzót használjon.
- A tápellátást mindig a megfelelő hálózati feszültségi szint mellett használja, azaz kövesse az újonnan vásárolt mikroszkópjának műszaki leírását. Az eszköznek a leírástól eltérő típusú aljzathoz történő csatlakoztatása tönkretelheti a mikroszkóp áramkörét, kiéghet az izzó vagy akár rövidzárlatot is okozhat ezzel.
- **Azonnal forduljon orvoshoz, amennyiben bárki lenyelt egy kis alkatrészt vagy elemet.**

## A Levenhuk nemzetközi, élettartamra szóló szavatossága

A Levenhuk vállalat a kiegészítők kivételével az összes Levenhuk gyártmányú teleszkóphoz, mikroszkóphoz, kétszemes távcsőhöz és egyéb optikai termékhez **élettartamra** szóló szavatosságot nyújt az anyaghibák és/vagy a gyártási hibák vonatkozásában. Az élettartamra szóló szavatosság a termék piaci forgalmazási időszakának a végéig érvényes. A Levenhuk-kiegészítőkhöz a Levenhuk-vállalat a kiskereskedelmi vásárlás napjától számított **két évig** érvényes szavatosságot nyújt az anyaghibák és/vagy a gyártási hibák vonatkozásában. A Levenhuk vállalat vállalja, hogy a Levenhuk vállalat általi megvizsgálás során anyaghibásnak és/vagy gyártási hibásnak talált terméket vagy termékalkatrészt megjavítja vagy kicseréli. A Levenhuk vállalat csak abban az esetben köteles megjavítani vagy kicserélni az ilyen terméket vagy termékalkatrészt, ha azt a Levenhuk vállalat számára elfogadható vásárlási bizonylattal együtt visszaküldi a Levenhuk vállalat felé. Ez a szavatosság nem vonatkozik a fogyóeszközökre, például az izzólámpákra (függetlenül attól, hogy azok hagyományos elektromos izzók, LED-es izzók, halogén izzók, energiatakarékos izzók vagy más típusú izzók-e), az elemekre (beleértve a nem tölthető elemeket és a tölthető akkumulátorokat is), az elektromos fogyóeszközökre stb.

További részletekért látogasson el weboldalunkra: [www.levenhuk.hu/garancia](http://www.levenhuk.hu/garancia)

Amennyiben garanciális probléma lépne fel vagy további segítségre van szüksége a termék használatát illetően, akkor vegye fel a kapcsolatot a helyi Levenhuk üzlettel.

## Informazioni generali

Leggere attentamente il manuale utente prima di iniziare a usare il microscopio. I microscopi biologici della serie Levenhuk 500 sono sicuri per la salute e la tutela del consumatore e dell'ambiente quando usati nel modo appropriato e rispettano tutti i requisiti degli standard internazionali. Questi microscopi sono progettati per l'osservazione di campioni trasparenti in luce trasmessa con metodo a campo chiaro. Mostrano buone prestazioni nella ricerca clinica e nei test, per le dimostrazioni didattiche, la batterioscopia e l'osservazione di preparati cellulari in ambiente medico e ospedaliero, in laboratori, università e scuole; è possibile utilizzarli anche per la ricerca scientifica per le scienze agrarie e la microbiologia.

## Montaggio del microscopio

- Estrarre il microscopio dalla confezione e posizionarlo con attenzione su una superficie piana.
- Rimuovere i sacchetti di plastica e la copertura antipolvere dalla testata oculare.
- Installare la testata monoculare, binoculare o trinoculare e stringere la vite di fissaggio.
- Ispezionare tutti gli elementi compresi nel kit per comprenderne la funzione.
- Collegare il cavo di alimentazione al microscopio e inserirlo in una presa di corrente.

## Uso

Si faccia riferimento alla fig. 1a (modello monoculare), alla fig. 1b (modello binoculare), alla fig. 1c e alla fig. 1d (modello trinoculare).

- Premere l'interruttore e accendere l'illuminazione. Impostare la luminosità al 70% circa. Posizionare il campione sul tavolino. Assicurarsi che le mollette tengano saldamente fermo il campione.
- Il diaframma a iride va regolato secondo l'apertura numerica della lente. Si consiglia di rendere il diaframma a iride leggermente più piccolo rispetto all'apertura della lente scelta. Aprire o chiudere il diaframma a iride usando la leva di regolazione. Se la leva di regolazione è tutta a destra, il diaframma a iride è completamente aperto. Nota: il diaframma non è pensato per la regolazione della luminosità. Per regolare la luminosità, utilizzare l'apposita manopola.
- Far scorrere il portafiltro, posizionare il filtro all'interno e riportare il supporto nella posizione iniziale.
- Per variare l'ingrandimento dell'obiettivo, ruotare il revolver portaobiettivi fino a sentire un clic.
- Assicurarsi che la lente non vada a toccare il campione durante la messa a fuoco: ruotare la manopola di regolazione grossolana finché il campione non è a circa 3,175 mm (1/8") dalla lente.
- Osservando tramite l'oculare, ruotare lentamente la manopola di messa a fuoco grossolana finché non si riesce a vedere l'immagine del campione osservato. Ruotare la manopola di messa a fuoco fine per rendere l'immagine più nitida. Il meccanismo di messa a fuoco fine consente di focalizzare il campione osservato anche ad alto ingrandimento.
- Quando si usa un obiettivo a immersione in olio, lo spazio tra il campione e la lente deve essere riempito con olio da immersione. Sollevare il condensatore il più in alto possibile e posizionare una goccia di olio sulla lente e sul coprivetrino del campione. Spostare il revolver portaobiettivi avanti e indietro per eliminare le bolle d'aria nell'olio. Quindi, fissare la lente obiettivo in posizione di lavoro. Assicurarsi che l'olio riempia tutto lo spazio tra la lente obiettivo e il campione. Asciugare la lente dopo l'uso.
- Per regolare la posizione del traslatore meccanico (esclusi 500M e 500T POL), ruotare la manopola di messa a fuoco grossolana in senso orario per bloccare la posizione del traslatore, in senso antiorario per sbloccarla.
- Per posizionare il campione nel campo visivo, muovere il tavolino traslatore orizzontalmente avanti e indietro o a sinistra e a destra usando le opportune manopole (esclusi 500M e 500T POL).
- Osservare tramite il rispettivo oculare con l'occhio destro e regolare la nitidezza dell'immagine con le manopole di messa a fuoco grossolana e fine. Modelli binoculari e trinoculari: osservare quindi tramite l'oculare sinistro, con l'occhio sinistro, e ruotare la ghiera di regolazione diottrica per appianare qualsiasi differenza di visione tra i due occhi. Ricordare il posizionamento per gli utilizzi futuri. Regolare la distanza tra i tubi ottici della testata binoculare in modo che l'immagine formi un unico cerchio.
- Modelli trinoculari: è possibile installare una fotocamera digitale nel terzo tubo oculare.

## Osservazioni in luce polarizzata

Il microscopio Levenhuk 500T POL è dotato di filtro analizzatore (fig. 2a) oltre che di un polarizzatore incorporato (fig. 2b). La loro presenza consente di ridurre l'abbagliamento e i riflessi parassiti durante lo studio di oggetti riflettenti. Inserire l'analizzatore nell'apposita fessura sul retro del microscopio e iniziare l'osservazione in luce polarizzata. Impostare il polarizzatore su "0": gli assi del polarizzatore e dell'analizzatore saranno orientati ortogonalmente. Ruotare l'anello del polarizzatore per cambiare l'angolo di polarizzazione. Il microscopio Levenhuk 500T POL è dotato di tavolino rotondo. Grazie alla rotazione del tavolino, è possibile cambiare l'angolo di polarizzazione e osservare i cambiamenti nella rifrazione della luce. Allentare il blocco, in modo da ruotare il tavolino, e quindi riserrare il blocco per assicurare il tavolino in posizione.

## Sostituzione della lampadina alogena

Scollegare il microscopio dall'alimentazione. Allentare la vite zigrinata sotto la base del microscopio e aprire il pannello per scoprire la lampadina. Assicurarsi che la lampadina si sia raffreddata e quindi rimuoverla. Non toccare la nuova lampadina a mani nude; le impronte digitali o i residui di sporco ne ridurrebbero la luminosità e la vita utile. Usare dei guanti per la sostituzione della lampadina. Se necessario, pulire la lampadina con un panno morbido e pulito. Usare una lampadina compatibile. Inserire i contatti nella fessura in direzione verticale. Chiudere il pannello e serrare a mano la vite zigrinata.

## Sostituzione del fusibile

Scollare il microscopio dall'alimentazione. Aprire la scatola dei fusibili sul retro del corpo del microscopio con un cacciavite a taglio. Rimuovere il vecchio fusibile e installarne uno nuovo. Usare solo fusibili del tipo appropriato. Chiudere la scatola dei fusibili.

## Specifiche

ID prodotto	75424	75425	75426	75427
Modello	Levenhuk 500M	Levenhuk 500B	Levenhuk 500T	Levenhuk 500T POL
Tipo	biologico/ottico			
Metodo di ricerca	campo chiaro			campo chiaro, luce polarizzata
Ingrandimenti	40–400x	40–1000x		
Distanza interpupillare	–	48–75 mm		
Testata oculare	monoculare, girevole a 360°, inclinata a 45°	binoculare, girevole a 360°, inclinata a 30°	trinoculare, girevole a 360°, inclinata a 30°	
Materiale delle ottiche	vetro ottico			
Diametro del tubo ottico	23,2 mm			
Terzo tubo ottico verticale	–	23,2 mm		
Oculari	WF10x/18 mm (1 pz) con puntatore	WF10x/18 mm (2 pz)		
Oculare con regolazione diottrica	–	±5 D		
Obiettivi	acromatici: 4x, 10x, 40xs	acromatici: 4x, 10x, 40xs, 100xs (immersione in olio)		
Revolver portaobiettivi	3 obiettivi	4 obiettivi		
Range di movimento del tavolino	–	70/30 mm	–	
Tavolino	110x110 mm, con portacampione	meccanico a doppio stadio, 115x125 mm, con traslatore meccanico		girevole a 360°, Ø 135 mm, con porta campioni
Sistema di messa a fuoco	coassiale; grossolana (30 mm) e fine (0,002 mm)		coassiale; grossolana (16 mm) e fine (0,002 mm)	
Condensatore	N.A. 0,65 con diaframma a iride e portafiltra	Abbe N.A. 1,25 con diaframma a iride e portafiltra, ad altezza regolabile		
Corpo	metallo			
Illuminazione	inferiore (alogeno, 12 V/20 W) con regolazione della luminosità			inferiore (LED da 3 W) con regolazione della luminosità
Collettore	+			
Polarizzatore	–			+
Analizzatore	–			+
Filtri	blu, verde, giallo			
Fiala di olio per immersione	–	+		
Fusibile	1 pz			
Alimentazione	110–220 V, tramite adattatore AC			
Connettore per fotocamera	–		+	

Levenhuk si riserva il diritto di modificare qualsiasi prodotto o sospenderne la produzione senza alcun preavviso.



**Attenzione:** Per informazioni riguardo la corretta tensione di rete, fare riferimento alla tabella delle specifiche; non cercare assolutamente di collegare un dispositivo a 220 V a una presa di corrente a 110 V e viceversa senza utilizzare un convertitore di tensione. Si tenga presente che la tensione di rete è di 220–240 V nella maggior parte dei paesi europei e di 110 V negli Stati Uniti e in Canada.

## Cura e manutenzione

- **Non utilizzare in nessun caso questo apparecchio per guardare direttamente il sole, un'altra sorgente di luce ad alta luminosità o un laser, perché ciò potrebbe provocare DANNI PERMANENTI ALLA RETINA e portare a CECITÀ.**
- Nel caso si utilizzi l'apparecchio in presenza di bambini o altre persone che non siano in grado di leggere o comprendere appieno queste istruzioni, prendere le precauzioni necessarie.
- Dopo aver disimballato il microscopio e prima di utilizzarlo per la prima volta, verificare l'integrità e lo stato di conservazione di tutte le componenti e le connessioni.
- Non cercare per nessun motivo di smontare autonomamente l'apparecchio. Per qualsiasi intervento di riparazione e pulizia, contattare il centro di assistenza specializzato di zona.
- Proteggere l'apparecchio da urti improvvisi ed evitare che sia sottoposto ad eccessiva forza meccanica. Durante la messa a fuoco, non applicare una forza eccessiva. Non stringere eccessivamente le viti di bloccaggio.
- Non toccare le superfici ottiche con le dita. Per pulire l'esterno dell'apparecchio, utilizzare soltanto le salviette apposite e gli strumenti di pulizia dell'ottica apposti offerti da Levenhuk. Non utilizzare fluidi corrosivi o a base di acetone per pulire l'ottica del dispositivo.
- Per rimuovere eventuali particelle abrasive, ad esempio sabbia, dalle lenti, non strofinare, ma soffiare oppure utilizzare una spazzola morbida.
- Non utilizzare il dispositivo per lunghi periodi e non lasciarlo incustodito sotto i raggi diretti del sole. Non esporre il dispositivo all'acqua o a elevata umidità.
- Prestare attenzione durante le osservazioni e, una volta terminato, rimettere sempre il coperchio protettivo per proteggere l'apparecchio da polvere e macchie.
- Se non si intende utilizzare il microscopio per periodi prolungati, conservare le lenti obiettivo e gli oculari separatamente dal microscopio.
- Conservare l'apparecchio in un posto fresco e asciutto, al riparo da acidi pericolosi e altri prodotti chimici, da apparecchi di riscaldamento, da fiamme libere e da altre fonti di calore.
- Cercare di non utilizzare il microscopio in prossimità di materiali o sostanze infiammabili (benzene, carta, cartone ecc), poiché la base potrebbe riscaldarsi durante l'utilizzo e rappresentare un rischio di incendio.
- Disconnettere sempre il microscopio dall'alimentazione prima di aprire la base o sostituire la lampadina di illuminazione. Indipendentemente dal tipo di lampadina (alogeno o a incandescenza), attendere che si sia raffreddata prima di cercare di sostituirla e sostituirla sempre con una lampadina dello stesso tipo.
- Utilizzare sempre un'alimentazione di tensione adeguata, cioè quella indicata nelle specifiche del microscopio. Collegare lo strumento a una presa di alimentazione differente potrebbe provocare il danneggiamento dei circuiti elettrici del microscopio, bruciare la lampadina o addirittura causare un corto circuito.
- **In caso di ingestione di una parte di piccole dimensioni o di una batteria, richiedere immediatamente assistenza medica.**

## Garanzia internazionale Levenhuk

Tutti i telescopi, i microscopi i binocoli e gli altri prodotti ottici Levenhuk, ad eccezione degli accessori, godono di una **garanzia a vita** per i difetti di fabbricazione o dei materiali. Garanzia a vita rappresenta una garanzia per la vita del prodotto sul mercato. Tutti gli accessori Levenhuk godono di una garanzia di **due anni** a partire dalla data di acquisto per i difetti di fabbricazione e dei materiali. Levenhuk riparerà o sostituirà i prodotti o relative parti che, in seguito a ispezione effettuata da Levenhuk, risultino presentare difetti di fabbricazione o dei materiali. Condizione per l'obbligo di riparazione o sostituzione da parte di Levenhuk di tali prodotti è che il prodotto venga restituito a Levenhuk unitamente ad una prova d'acquisto la cui validità sia riconosciuta da Levenhuk.

Questa garanzia non copre le parti consumabili, come le lampadine (elettriche, LED, alogene, a risparmio energetico o altri tipi di lampadine), batterie (ricaricabili e non ricaricabili), parti elettriche consumabili, ecc.

Per maggiori dettagli, visitare il nostro sito web: [www.levenhuk.eu/warranty](http://www.levenhuk.eu/warranty)

Per qualsiasi problema di garanzia o necessità di assistenza per l'utilizzo del prodotto, contattare la filiale Levenhuk di zona.

## Informacje ogólne

Przed rozpoczęciem pracy z mikroskopem należy uważnie przeczytać instrukcję obsługi. Mikroskopy biologiczne serii Levenhuk 500 są bezpieczne dla zdrowia, życia i mienia użytkownika, a także dla środowiska, jeśli są użytkowane w prawidłowy sposób. Ponadto spełniają wymogi międzynarodowych norm. Te mikroskopy zostały opracowane do obserwacji obiektów przezroczystych w świetle przechodzącym przy użyciu metody jasnego pola. To idealne przyrządy optyczne do badań i testów klinicznych, pokazów szkolnych, bakterioskopii i cytoskopii w placówkach medycznych, laboratoriach, na uniwersytetach oraz w szkołach. Mogą być także stosowane do badań naukowych w rolnictwie i mikrobiologii.

## Montaż mikroskopu

- Ostrożnie wyjmij mikroskop z opakowania i umieść go na płaskiej powierzchni.
- Zdejmij worki foliowe i osłonę przeciwpylową z głowicy okularowej.
- Zamontuj głowicę monokularową, dwuokularową lub trójokularową i dokręć śrubę blokującą.
- Sprawdź wszystkie elementy zestawu i określ ich przeznaczenie.
- Podłącz przewód zasilający do mikroskopu i do gniazdka.

## Obsługa

Zapoznaj się z rys. 1a (model monokularowy), rys. 1b (model dwuokularowy), rys. 1c i rys. 1d (model trójokularowy).

- Włącz zasilanie. Zostanie włączone oświetlenie. Ustaw jasność na około 70%. Umieść preparat na stoliku. Sprawdź, czy preparat jest prawidłowo zamocowany w zaczepach.
- Przystonę irysową należy wyregulować zgodnie z aperturą numeryczną soczewki. Najlepszą praktyką jest ustawienie przystony irysowej nieznacznie mniejszej niż apertura wybranej soczewki. Otwórz lub zamknij przystonę irysową za pomocą śrub regulacyjnych. Obrócenie śruby regulacyjnej w prawo powoduje pełne otwarcie przystony irysowej. **Uwaga:** przystona nie służy do regulacji jasności oświetlenia. Jasność reguluje się za pomocą pokrętła regulacji jasności.
- Przesuń uchwyt filtra, umieść w nim filtr, a następnie ustaw uchwyt w pierwotnym położeniu.
- Aby zmienić powiększenie obiektywu, obracaj miskę rewolwerową do usłyszenia kliknięcia.
- Zwróć uwagę, aby soczewka nie miała kontaktu z preparatem podczas regulacji ostrości: obracaj pokrętło zgrubnej regulacji ostrości, aż preparat znajdzie się około 3,175 mm (1/8") od soczewki.
- Patrząc w okular, powoli obracaj pokrętło zgrubnej regulacji ostrości, aż będzie widoczny obraz obserwowanego preparatu. Obracaj pokrętło precyzyjnej regulacji ostrości, aby uzyskać wyraźny obraz. Mechanizm precyzyjnej regulacji ostrości pozwala na ustawienie ostrości na obserwowanym preparacie przy dużym powiększeniu.
- W przypadku używania obiektywu z immersją olejową przestrzeń między preparatem a soczewką należy wypełnić olejkim immersyjnym. Podnieś kondensator do górnego położenia i nałóż kroplę olejku na soczewkę oraz na szklaną osłonę preparatu. Przesuń miskę rewolwerową do tyłu i do przodu, aby usunąć pęcherzyki powietrza z olejku. Następnie zamocuj soczewkę obiektywową w położeniu roboczym. Sprawdź, czy olejek pokrywa całą przestrzeń między soczewką obiektywową a preparatem. Po użyciu należy wytrzeć soczewkę do sucha.
- Położenie skali mechanicznej można wyregulować (z wyjątkiem 500M i 500T POL) za pomocą pokrętła zgrubnej regulacji ostrości, obracając je w prawo, aby zablokować wybrane położenie, lub w lewo, aby poluzować skalę.
- Aby ustawić preparat w polu widzenia, przesuwaj stolik poziomo do tyłu i do przodu lub w lewo i w prawo za pomocą pokrętła przesuwania stolika (z wyjątkiem 500M i 500T POL).
- Patrząc prawym okiem w prawy okular, wyreguluj ostrość obrazu za pomocą pokręteł zgrubnej i precyzyjnej regulacji ostrości. Następnie przyłóż lewe oko do lewego okularu i obracaj pierścień regulacji dioptrii, aby zniwelować różnicę między lewym a prawym okularzem. Zapamiętaj ustawienie na przyszłość. Wyreguluj odległość między tubami okularów głowicy dwuokularowej tak, aby obraz scalił się w jeden okrąg.
- Modele trójokularowe: na tubie trzeciego okularu można zamontować aparat cyfrowy. Użyj rozdzielacza wiązki, aby kierować światło do okularów lub do aparatu.

## Obserwacje w świetle spolaryzowanym

Mikroskop Levenhuk 500T POL jest wyposażony w analizator (rys. 2a) i ma zintegrowany polaryzator (rys. 2b). Pozwala to zmniejszyć odbicia światła podczas badania błyszczących preparatów. Aby obserwować preparat w świetle spolaryzowanym, wystarczy włożyć analizator do specjalnego gniazda z tyłu mikroskopu. Ustaw polaryzator na „0”, aby ustawić analizator i polaryzator prostopadle. Obracaj pierścień polaryzatora, aby zmieniać kąt polaryzacji. Mikroskop Levenhuk 500T POL ma okrągły stolik. Obracając stolik, można zmieniać kąt polaryzacji i obserwować zmiany refrakcji światła. Poluzuj wspornik, aby obrócić stolik i dokręć go, aby unieruchomić stolik.

## Wymiana żarówki halogenowej

Odłącz mikroskop od źródła zasilania. Poluzuj śrubę radełkowaną na spodniej stronie mikroskopu i otwórz panel, aby uzyskać dostęp do żarówki. Sprawdź, czy lampa ostygła, a następnie wymontuj ją. Nie dotykaj nowej lampy palcami; odciski palców lub zanieczyszczenia ograniczą jasność i skrócą okres eksploatacji lampy. Podczas wymiany lampy używaj rękawiczek. W razie potrzeby wytrzyj lampę czystą, miękką ściereczką. Wybierz lampę odpowiedniego typu. Następnie zamknij panel i silnie dokręć palcami śrubę radełkowaną.

## Wymiana bezpiecznika

Odłącz mikroskop od źródła zasilania. Otwórz gniazdo bezpiecznika w tylnej części korpusu mikroskopu za pomocą wkrętaka

płaskiego. Wyjmij stary bezpiecznik i zamontuj nowy. Należy stosować tylko bezpieczniki odpowiedniego typu. Zamknij gniazdo bezpiecznika.

## Dane techniczne

Identyfikator produktu	75424	75425	75426	75427
Model	Levenhuk 500M	Levenhuk 500B	Levenhuk 500T	Levenhuk 500T POL
Typ	biologiczny/optyczny			
Metoda badawcza	jasnego pola			jasnego pola, światło spolaryzowane
Powiększenie	40–400x	40–1000x		
Rozstaw źrenic	–	48–75 mm		
Głowica okularowa	monokularowa, obracana w zakresie 360°, nachylenie 45°	dwuokularowa, obracana w zakresie 360°, nachylenie 30°	trójokularowa, obracana w zakresie 360°, nachylenie 30°	
Materiał układu optycznego	szkło optyczne			
Średnica tuby okularu	23,2 mm			
Trzecia pionowa tuba okularu	–		23,2 mm	
Okulary	WF10x/18 mm (1 szt.) ze wskaźnikiem	WF10x/18 mm (2 szt.)		
Okular z regulacją dioptrii	–	±5 D		
Obiektywy	achromatyczne: 4x, 10x, 40xs	achromatyczne: 4x, 10x, 40x, 100x (olejek immersyjny)		
Miska rewolwerowa	3 obiektywy	4 obiektywy		
Zakres ruchu stolika	–	70/30 mm		–
Stolik	110x110 mm, z zaczepami do preparatów	dwuwarstwowy mechaniczny, 115x125 mm, ze skalą mechaniczną		obrotowy 360°, Ø135 mm, z uchwytem preparatów
Mechanizm regulacji ostrości	współosiowa, zgrubna (30 mm) i precyzyjna (0,002 mm)		współosiowa, zgrubna (16 mm) i precyzyjna (0,002 mm)	
Kondensator	N.A. 0,65 przysłona irysowa i uchwyt na filtry	Abbego N.A. 1,25 przysłona irysowa i uchwyt na filtry, z regulacją wysokości		
Korpus	metal			
Oświetlenie	dolne (halogenowe, 12 V/20 W) z regulacją jasności			dolne (3 W LED) z regulacją jasności
Kolektor	+			
Polaryzator	–			+
Analizator	–			+
Filtry	światła niebieskiego, zielonego, żółtego			
Fiolka olejku immersyjnego	–	+		
Bezpiecznik	1 szt.			
Zasilanie	110-220 V, przez zasilacz			
Złącze aparatu	–		+	

Levenhuk zastrzega sobie prawo do modyfikowania lub zakończenia produkcji dowolnego produktu bez wcześniejszego powiadomienia.



**Uwaga:** Prosimy zapoznać się z tabelą z danymi technicznymi i sprawdzić poprawną wartość napięcia sieciowego. Nie należy podłączać urządzenia o napięciu 220 V do gniazdka o napięciu 110 V ani na odwrót bez użycia przetwornika. Należy pamiętać, że napięcie sieciowe w większości państw europejskich wynosi 220–240 V, natomiast w USA i Kanadzie – 110 V.

## Konserwacja i pielęgnacja

- Pod żadnym pozorem nie wolno kierować przyrządu bezpośrednio na słońce, światło laserowe lub inne źródło jasnego światła, ponieważ może to spowodować TRWAŁE USZKODZENIE SIATKÓWKI lub doprowadzić do ŚLEPOTY.
- Zachowaj szczególną ostrożność, gdy urządzenia używają dzieci lub osoby, które nie w pełni zapoznały się z instrukcjami.
- Po rozpakowaniu mikroskopu i przed jego pierwszym użyciem należy sprawdzić stan i prawidłowość podłączenia każdego elementu.
- Nie podejmuj prób samodzielnego demontażu urządzenia, nawet w celu wyczyszczenia lustra. W celu wszelkich napraw i czyszczenia skontaktuj się z punktem serwisowym.
- Chroń przyrząd przed upadkami z wysokości i działaniem nadmiernej siły mechanicznej. Nie należy używać nadmiernej siły podczas ustawiania ostrości. Nie należy dokręcać zbyt mocno śrub blokujących.
- Nie dotykaj powierzchni optycznych palcami. Do czyszczenia zewnętrznych powierzchni przyrządu używaj tylko specjalnych ściereczek i narzędzi do czyszczenia optyki Levenhuk. Nie czyść układu optycznego za pomocą środków żrących lub zawierających aceton.
- Cząsteczki ścierające, takie jak ziarna piasku, powinny być zdmuchiwane z powierzchni soczewek lub usuwane za pomocą miękkiej szczotki.
- Nie wystawiaj przyrządu na długotrwałe działanie promieni słonecznych. Trzymaj z dala od wody. Nie należy przechowywać w warunkach wysokiej wilgoci.
- Podczas obserwacji należy zachować ostrożność. Po zakończeniu obserwacji załóż osłonę przeciwpylową w celu zabezpieczenia mikroskopu przed kurzem i zanieczyszczeniami.
- W przypadku korzystania z mikroskopu przez dłuższy czas soczewki obiektywowe i okulary oraz mikroskop należy przechowywać osobno.
- Przyrząd powinien być przechowywany w suchym, chłodnym miejscu, z dala od kurzu, niebezpiecznych kwasów oraz innych substancji chemicznych, grzejników, otwartego ognia i innych źródeł wysokiej temperatury.
- Staraj się nie korzystać z mikroskopu w pobliżu łatwopalnych materiałów lub substancji (benzenu, papieru, kartonu, tworzywa sztucznego itp.), ponieważ nagrzewająca się podczas użytkowania podstawa może powodować ryzyko pożaru.
- Przed każdym otwarciem podstawy lub wymianą lampy odłączaj mikroskop od źródła zasilania. Przed wymianą lampy, niezależnie od jej rodzaju (halogenowa lub żarowa), zaczekaj, aż jej temperatura spadnie. Lampy wymieniaj zawsze na modele tego samego typu.
- Pamiętaj, aby moc zasilania była dopasowana do napięcia – jest ono podane w danych technicznych nowego mikroskopu. Podłączenie do gniazda zasilającego o innej mocy może spowodować uszkodzenie zespołu obwodów elektrycznych przyrządu, spalenie lampy, a nawet zwarcie.
- W przypadku połknięcia małej części lub baterii należy natychmiast zwrócić się o pomoc medyczną.

## Gwarancja międzynarodowa Levenhuk

Wszystkie teleskopy, mikroskopy, lornetki i inne przyrządy optyczne Levenhuk, za wyjątkiem akcesoriów, posiadają **dożywotnią gwarancję** obejmującą wady materiałowe i wykonawcze. Dożywotnia gwarancja to gwarancja na cały okres użytkowania produktu. Wszystkie akcesoria Levenhuk są wolne od wad materiałowych i wykonawczych i pozostaną takie przez **dwa lata** od daty zakupu detalicznego. Firma Levenhuk naprawi lub wymieni produkty lub ich części, w przypadku których kontrola prowadzona przez Levenhuk wykaże obecność wad materiałowych lub wykonawczych. Warunkiem wywiązania się przez firmę Levenhuk z obowiązku naprawy lub wymiany produktu jest dostarczenie danego produktu firmie razem z dowodem zakupu uznawanym przez Levenhuk.

Niniejsza gwarancja nie obejmuje części eksploatacyjnych, takich jak żarówki (elektryczne, LED, halogenowe, energooszczędne i inne), baterie (akumulatory i zwykłe), akcesoria elektryczne itd.

Więcej informacji na ten temat znajduje się na stronie: [www.levenhuk.pl/gwarancja](http://www.levenhuk.pl/gwarancja)

W przypadku wątpliwości związanych z gwarancją lub korzystaniem z produktu, proszę skontaktować się z lokalnym przedstawicielem Levenhuk.



## Informações gerais

Leia o manual do utilizador cuidadosamente antes de começar a trabalhar com um microscópio. Os microscópios biológicos Levenhuk Série 500 são seguros para a saúde, a vida e a propriedade do consumidor e do ambiente quando utilizados adequadamente e cumprem os requisitos das normas internacionais. Estes microscópios foram concebidos para observar objetos transparentes na luz transmitida utilizando o método de campo brilhante. Têm um bom desempenho em investigação e testes clínicos; demonstrações pedagógicas; bacterioscopia e citologia em estabelecimentos médicos e sanitários, laboratórios, universidades; e podem ser utilizados para investigação científica em agricultura e microbiologia.

## Montagem do microscópio

- Remova o microscópio da embalagem cuidadosamente e coloque-o numa superfície plana.
- Remova os sacos de plástico e a tampa à prova de poeira da cabeça da ocular.
- Instale a cabeça monocular, binocular ou trinocular e aperte o parafuso de bloqueio.
- Inspeccione todos os itens incluídos no kit e defina o respetivo objetivo.
- Ligue o cabo de alimentação ao microscópio e ligue à tomada.

## Utilização

Consulte a Fig. 1a (modelo monocular), Fig. 1b (modelo binocular), Fig. 1c e Fig. 1d (modelo trinocular).

- Ligue a energia e a iluminação acender-se-á. Defina o brilho em, aproximadamente, 70%. Coloque o espécime na lâmina. Certifique-se de que os cliques mantêm o espécime firmemente no local.
- O diafragma da íris deve ser ajustado de acordo com a abertura numérica de uma lente. A melhor prática é tornar o diafragma da íris ligeiramente mais pequeno do que a abertura da lente selecionada. Abra ou feche o diafragma da íris utilizando os parafusos de ajuste. Se o parafuso de ajuste for virado para a direita, o diafragma da íris fica totalmente aberto. Nota: o diafragma não se destina a ajustar o brilho da iluminação. Para ajustar o brilho, utilize a roda de ajuste do brilho.
- Deslize o suporte do filtro, coloque o filtro no mesmo e, em seguida, coloque o suporte na posição inicial.
- Para alterar a ampliação da objetiva, rode o revólver giratório até ouvir um clique.
- Certifique-se de que a lente não toca na amostra ao ajustar o foco: rode o botão de focagem grosseira até que o espécime esteja afastado da lente em, aproximadamente, 3,175 mm.
- Olhando para a ocular, rode lentamente o botão de focagem grosseira até ver a imagem do espécime observado. Rode o botão de focagem fina para tornar a imagem nítida. O mecanismo de focagem fina permite focar o espécime observado enquanto utiliza ampliações elevadas.
- Quando utiliza uma objetiva de imersão em óleo, o espaço entre o espécime e a lente deve ser preenchido com óleo de imersão. Levante o condensador para a posição superior e coloque uma gota de óleo na lente e no vidro de cobertura do espécime. Mova o revólver giratório para trás e para a frente para remover bolhas de ar no óleo. Em seguida, fixe a lente da objetiva na posição de trabalho. Certifique-se de que o óleo preenche todo o espaço entre a lente da objetiva e o espécime. Após a utilização, limpe a lente até secar.
- Para ajustar a posição da balança mecânica (exceto para 500M e 500T POL), rode o botão de focagem grosseira no sentido dos ponteiros do relógio, caso pretenda fixar a posição da balança mecânica, ou no sentido contrário, caso pretender soltar.
- Para colocar o espécime no campo de visão, mova a lâmina para trás e para a frente ou para a esquerda e para a direita, utilizando o botão de deslocação da lâmina (exceto para 500M e 500T POL).
- Olhe através da ocular direita com o seu olho direito e ajuste a nitidez da imagem com os botões de focagem grosseira e fina. Modelos binocular e trinocular: Em seguida, olhe através da ocular esquerda com o seu olho esquerdo e gire o anel de ajuste de dioptria para equalizar a diferença entre a visão dos olhos esquerdo e direito. Lembre-se desta definição para utilização futura. Ajuste a distância entre os tubos oculares da cabeça binocular, de modo a que a imagem se funda num único círculo.
- Modelos trinoculares: pode instalar a câmara digital no terceiro tubo ocular.

## Observação em luz polarizada

O microscópio Levenhuk 500T POL está equipado com um analisador (Fig. 2a) e está equipado com um polarizador integrado (Fig. 2b). Permite reduzir brilhos e reflexos artificiais ao estudar objetos brilhantes. Insira o analisador numa ranhura especial na parte de trás do microscópio para começar a observar a luz polarizada. Defina o polarizador como “0” - o polarizador e o analisador serão posicionados de forma ortogonal. Rode o anel do polarizador para alterar o ângulo de polarização. O microscópio Levenhuk 500T POL está equipado com uma platina redonda. Ao utilizar a rotação da platina, pode alterar o ângulo de polarização e observar as alterações na refração da luz. Desaperte o retentor para rodar a platina e aperte o mesmo para fixar a platina.

## Substituição da lâmpada de halogéneo

Desligue o microscópio de uma fonte de alimentação. Desaperte o parafuso serrilhado na parte inferior do microscópio e abra o painel para expor a lâmpada. Certifique-se de que a lâmpada arrefeceu e, em seguida, remova-a. Não toque na nova lâmpada com os dedos; as impressões digitais ou a sujidade irão reduzir o brilho e a durabilidade da lâmpada. Utilize luvas para substituir a lâmpada. Se necessário, limpe a lâmpada com um pano limpo e macio. Utilize uma lâmpada de um tipo apropriado. Insira os contactos na ranhura na vertical. Feche o painel e aperte o parafuso serrilhado com o dedo.

## Substituição do fusível

Desligue o microscópio de uma fonte de alimentação. Abra o porta-fusíveis localizado na parte traseira do corpo do microscópio com uma chave de fendas de ponta plana. Remova o fusível antigo e instale um novo. Utilize apenas os tipos apropriados de fusíveis. Feche o porta-fusíveis.

## Especificações

ID de produto	75424	75425	75426	75427
Modelo	Levenhuk 500M	Levenhuk 500B	Levenhuk 500T	Levenhuk 500T POL
Tipo	biológico/ótico			
Método de investigação	campo brilhante			campo brilhante, luz polarizada
Ampliação	40–400x	40–1000x		
Distância interpupilar	–	48–75 mm		
Cabeça	monocular, rotação de 360°, inclinação de 45°	binocular, rotação de 360°, inclinação de 30°	trinocular, rotação de 360°, inclinação de 30°	
Material ótico	vidro ótico			
Diâmetro do tubo ocular	23,2 mm			
Terceiro tubo de ocular vertical	–	23,2 mm		
Oculares	WF10x/18 mm (1 pç) com um ponteiro	WF10x/18 mm (2 pcs)		
Ajuste de dioptria da ocular	–	±5 D		
Objetivas	acromática: 4x, 10x, 40xs	acromática: 4x, 10x, 40xs, 100xs (óleo)		
Revólver giratório	3 objetivas	4 objetivas		
Alcance de deslocação da lâmina	–	70/30 mm	–	
Platina	110x110mm, com suportes de espécimes	camada dupla mecânica, 115x125mm, com balança mecânica		360° de rotação, Ø135 mm, com suportes de espécimes
Foco	coaxial, grosso (30 mm) e fino (0,002 mm)		coaxial, grosso (16 mm) e fino (0,002 mm)	
Kondensor	diafragma da íris e suporte do filtro de 0,65	Abbe N.A. 1,25 diafragma de íris e porta-filtro, com altura ajustável		
Corpo	metal			
Iluminação	inferior (halogénio, 12 V/20 W) com ajuste de brilho			inferior (LED de 3 W) com ajuste de brilho
Coletor	+			
Polarizador	–			+
Analizador	–			+
Filtros	azul, amarelo, verde			
Frasco de óleo de imersão	–	+		
Fusível	1 pç			
Fonte de alimentação	110–220 V, através do adaptador CA			
Conector da câmara	–		+	

Levenhuk se reserva no direito de fazer alterações na variedade e nas especificações dos produtos sem notificação prévia.



**Atenção:** Consulte a tabela de especificações para a voltagem correta. Nunca tente conectar um dispositivo 110V a uma saída 220V, e vice-versa, sem o uso de um transformador. Lembre-se que a voltagem nos EUA e no Canadá é 110V e que, na maioria dos países europeus, a voltagem é 220–240V.

## Cuidado e manutenção

- **Nunca, em qualquer circunstância, olhe diretamente para o Sol, ou para outra fonte de luz intensa, ou para um laser através deste dispositivo, pois isso pode causar DANOS PERMANENTES À RETINA e pode levar à CEGUEIRA.**
- Tome as precauções necessárias quando usar o dispositivo com crianças, ou com outras pessoas que não leram, ou não compreenderam totalmente estas instruções.
- Após desembalar o microscópio e antes de utilizá-lo pela primeira vez, verifique a integridade e a durabilidade de todos os componentes e ligações.
- Não tente desmontar o dispositivo por conta própria por qualquer motivo. Para fazer consertos de qualquer tipo, por favor entre em contato com seu centro de serviços especializados.
- Proteja o dispositivo de impactos súbitos e de força mecânica excessiva. Não aplique pressão excessiva quando estiver ajustando o foco. Não aperte demais os parafusos de bloqueio.
- Não toque nas superfícies ópticas com seus dedos. Para limpar o exterior do dispositivo, use apenas lenços especiais para limpeza e ferramentas especiais de limpeza óptica da Levenhuk. Não utilize fluidos corrosivos, nem baseados em acetona para limpar as partes ópticas.
- Partículas abrasivas, como areia, não devem ser removidas com um pano. Em vez disso, sobre-as, ou retire-as com um pincel suave.
- Não use o dispositivo por períodos de tempo muito longos, nem o deixe abandonado sob a luz direta do Sol. Mantenha longe de água e alta umidade.
- Tenha cuidado durante as suas observações, substitua sempre a capa protetora antipoeira quando concluir as observações de modo a proteger o equipamento contra poeiras e manchas.
- Se não utilizar o microscópio durante muito tempo, guarde as objetivas e os oculares separadamente do microscópio.
- Guarde o dispositivo em um local seco e fresco, longe de ácidos perigosos e outros produtos químicos, de aquecedores, de fogo e de outras fontes de altas temperaturas.
- Ao utilizar o microscópio, não o faça próximo de materiais ou substâncias inflamáveis (benzeno, papel, cartão, plástico, etc.), uma vez que a base pode aquecer durante o uso e provocar um incêndio.
- Desligue sempre o microscópio de uma fonte de alimentação antes de abrir a base ou mudar de lâmpada de iluminação. Independentemente do tipo de lâmpada (halogêneo ou incandescente), deixe arrefecer durante algum tempo antes de a substituir por uma lâmpada do mesmo tipo.
- Utilize sempre a fonte de alimentação com uma tensão adequada, isto é, indicada nas especificações do novo microscópio. A ligação do equipamento a uma tomada diferente pode danificar o circuito elétrico do microscópio, fundir a lâmpada ou provocar um curto-circuito.
- **Procure um médico imediatamente se uma peça pequena ou uma pilha for engolida.**

## Garantia vitalícia internacional Levenhuk

Todos os telescópios, microscópios, binóculos ou outros produtos ópticos Levenhuk, exceto seus acessórios, são acompanhados de **garantia vitalícia** contra defeitos dos materiais e acabamento. A garantia vitalícia é uma garantia para a vida útil do produto no mercado. Todos os acessórios Levenhuk têm garantia de materiais e acabamento livre de defeitos por **dois anos** a partir da data de compra. A Levenhuk irá reparar ou substituir o produto ou sua parte que, com base em inspeção feita pela Levenhuk, seja considerado defeituoso em relação aos materiais e acabamento. A condição para que a Levenhuk repare ou substitua tal produto é que ele seja enviado à Levenhuk juntamente com a nota fiscal de compra.

Esta garantia não cobre partes consumíveis, tais como lâmpadas (elétricas, de LED, de halogênio, econômicas e outros tipos de lâmpadas), baterias (recarregáveis e não recarregáveis), consumíveis elétricos etc.

Para detalhes adicionais, visite nossa página na internet: [www.levenhuk.eu/warranty](http://www.levenhuk.eu/warranty)

Se surgirem problemas relacionados à garantia ou se for necessária assistência no uso do produto, contate a filial local da Levenhuk.

## Общая информация

Внимательно изучите инструкцию по эксплуатации, прежде чем приступить к работе с микроскопом. Биологические микроскопы серии Levenhuk 500 безопасны для здоровья, жизни, имущества потребителя и окружающей среды при правильной эксплуатации и соответствуют требованиям международных стандартов. Модели предназначены для изучения прозрачных образцов в проходящем свете по методу светлого поля. Они применяются в разных научных областях – для клинических исследований и испытаний, для обучающих демонстраций, для бактериоскопии и цитологии в институтах и университетах, медицинских и оздоровительных учреждениях, научно-исследовательских институтах, департаментах лесного и сельского хозяйства и т. п.

## Сборка

- Аккуратно распакуйте микроскоп и установите его на ровную поверхность.
- Снимите упаковку и пластиковую защиту с окулярной насадки.
- Установите монокулярную, бинокулярную или тринокулярную насадку на корпус и затяните фиксатор.
- Осмотрите все элементы, входящие в комплект поставки, установите их назначение.
- Подключите к микроскопу сетевой шнур и включите его в сеть.

## Использование

Рассмотрите рисунки 1а (монокулярная модель), 1b (бинокулярная модель), 1с и 1d (тринокулярная модель).

- Включите питание, загорится подсветка. Настройте яркость так, чтобы она составляла около 70%. Положите препарат на предметный столик. Убедитесь, что зажимы надежно держат препарат.
- Ирисовую диафрагму необходимо настраивать в соответствии с разными цифровыми апертурами разных объективов. Лучше всего настроить ирисовую диафрагму таким образом, чтобы ее диаметр был немного меньше апертуры выбранного объектива. Откройте/закройте ирисовую диафрагму с помощью ручки регулировки. Если ручка повернута вправо, ирисовая диафрагма полностью открыта. Примечание: диафрагма не регулирует яркость подсветки. Чтобы отрегулировать яркость подсветки, используйте регулятор яркости подсветки.
- Сдвиньте держатель фильтра, поместите в него необходимый фильтр и затем верните держатель в начальное положение.
- Чтобы сменить увеличение объектива, поверните револьверное устройство до щелчка.
- При регулировке фокуса, чтобы объектив не касался образца, поворачивайте ручку грубой фокусировки, пока образец не окажется на расстоянии примерно 3,175 мм (1/8") от объектива.
- Наблюдая в окуляр, медленно поверните ручку грубой фокусировки до тех пор, пока не появится изображение наблюдаемого препарата. Поверните ручку тонкой фокусировки так, чтобы изображение стало четким. При работе с высокими увеличениями механизм тонкой фокусировки позволит четко сфокусироваться на наблюдаемом препарате.
- При использовании масляного объектива следует заполнить пространство между поверхностью исследуемого образца и лицевой поверхностью объектива иммерсионным маслом. Поднимите конденсор в верхнее положение и капните немного масла на объектив и покровное стекло препарата. Поверните револьверное устройство вперед и назад несколько раз, чтобы избавиться от пузырьков воздуха в масле. Затем зафиксируйте объектив в рабочем положении. Убедитесь, что масло заполняет все пространство между объективом и препаратом. После использования протрите масляный объектив насухо.
- Чтобы отрегулировать положение препаратопроводителя (кроме моделей 500M и 500T POL), поверните ручку грубой фокусировки по часовой стрелке (зафиксировать положение) или против часовой стрелки (ослабить).
- Поворачивая ручки (кроме моделей 500M и 500T POL) для перемещения столика по горизонтали вперед-назад и вправо-влево, вы сможете поместить препарат в центр поля зрения окуляра.
- Наблюдая правым глазом в окуляр, установленный в правый окулярный тубус, настройте резкость изображения при помощи ручек грубой и тонкой фокусировки. Для бинокулярных и тринокулярных моделей: затем, наблюдая левым глазом в левый окулярный тубус, вращайте кольцо диоптрийной настройки, чтобы устранить разницу в изображении для левого и правого глаза. Запомните настройку для использования в дальнейшем. Настройте расстояние между осями окулярных тубусов бинокулярной насадки таким образом, чтобы при наблюдении двумя глазами изображение сливалось в единую окружность.
- Для тринокулярных моделей: вы можете установить цифровую камеру в третью окулярную трубку.

## Наблюдение в поляризованном свете

Микроскоп Levenhuk 500T POL комплектуется анализатором (рис. 2а) и оснащен встроенным поляризатором (рис. 2b), которые позволяют уменьшить блики и паразитные отражения при изучении блестящих объектов.

Чтобы начать наблюдение в поляризованном свете, вставьте анализатор в специальный слот на задней части микроскопа. Установите поляризатор в положение «0» – таким образом, поляризатор и анализатор будут расположены ортогонально. Для изменения угла поляризации вращайте кольцо поляризатора.

Микроскоп Levenhuk 500T POL оснащен круглым предметным столиком, вращая который также можно изменять угол поляризации, и наблюдать изменение преломления света. Ослабьте фиксатор, чтобы вращать предметный столик, или затяните, чтобы зафиксировать его.

## **Замена галогенной лампы**

Отключите микроскоп от сети. Ослабьте винт с накаткой в основании микроскопа и откройте крышку, чтобы получить доступ к лампе. Убедитесь, что лампа остыла, и затем выньте ее. Не касайтесь пальцами поверхности новой лампы: отпечатки пальцев или загрязнения уменьшат яркость и сократят срок службы лампы. Воспользуйтесь перчатками, чтобы заменить лампу. Протрите лампу чистой мягкой тканью, если необходимо. Используйте лампу подходящего типа. Вставьте контакты в гнездо вертикально. Установите крышку на прежнее место и затяните винт.

## **Замена предохранителя**

Отключите микроскоп от сети. Откройте держатель предохранителя в задней части микроскопа при помощи отвертки с прямым шлицем. Выньте старый предохранитель и установите новый. Используйте только соответствующие предохранители. Закройте держатель предохранителя.

## Технические характеристики

Артикул	75424	75425	75426	75427
Модель	Levenhuk 500M	Levenhuk 500B	Levenhuk 500T	Levenhuk 500T POL
Тип микроскопа	биологические/световые			
Метод исследования	светлое поле, поляризованный свет			светлое поле, поляризованный свет
Поле изображения	плоское поле			
Тип конструкции микроскопа	прямой			
Увеличение	40–400 крат	40–1000 крат		
Межзрачковое расстояние	–	48–75 мм		
Насадка	монокулярная, поворотная на 360°, с наклоном 45°	бинокулярная, поворотная на 360°, с наклоном 30°	тринокулярная, поворотная на 360°, с наклоном 30°	
Материал оптики	оптическое стекло			
Диаметр окулярной трубки	23,2 мм			
Диаметр третьей вертикальной окулярной трубки	–		23,2 мм	
Окуляры	WF10x/18 мм (1 шт.) с указателем центра поля	WF10x/18 мм (2 шт.)		
Диоптрийная коррекция окуляров	–	±5 D		
Объективы	ахроматические: 4x, 10x, 40xs	ахроматические: 4x, 10x, 40xs, 100xs (масляный)		
Револьверное устройство	на 3 объектива	на 4 объектива		
Диапазон перемещения предметного столика	–	70/30 mm		–
Предметный столик	110x110 мм, с зажимами	механический двухслойный, 115x125 мм, с препаратоводителем		Ø135 мм, вращающийся на 360°, с зажимами
Фокусировка	коаксиальная, грубая (30 мм) и точная (0,002 мм)		коаксиальная, грубая (16 мм) и точная (0,002 мм)	
Конденсор	0,65 с ирисовой диафрагмой и держателем фильтра	Аббе N.A. 1,25 с ирисовой диафрагмой и держателем фильтра, с регулировкой по высоте		
Корпус	металл			
Подсветка	нижняя, галогенная (12 В/20 Вт) с регулировкой яркости			нижняя, светодиодная (3 Вт) с регулировкой яркости
Коллектор	+			
Поляризатор	–			+
Анализатор	–			+
Светофильтры	синий, зеленый, желтый			
Иммерсионное масло	–	+		
Предохранитель	1 шт.			
Источник питания	110–220 В, через сетевой адаптер			
Крепление для камеры	–		+	

Компания Levenhuk оставляет за собой право вносить любые изменения или прекращать производство изделия без предварительного уведомления.



**Внимание!** Помните, что напряжение сети в России и большинстве европейских стран составляет 220–240 В. Если вы хотите использовать устройство в стране с другим стандартом сетевого напряжения, необходимо включать его в розетку только через соответствующий конвертер (преобразователь напряжения).

## Уход и хранение

- **Никогда не смотрите в прибор на Солнце, на источник яркого света и лазерного излучения – ЭТО ОПАСНО ДЛЯ ЗРЕНИЯ И МОЖЕТ ПРИВЕСТИ К СЛЕПОТЕ!**
- Будьте внимательны, если пользуетесь прибором вместе с детьми или людьми, не ознакомленными с инструкцией.
- После вскрытия упаковки и установки микроскопа проверьте каждый компонент.
- Не разбирайте прибор. Сервисные и ремонтные работы могут проводиться только в специализированном сервисном центре.
- Оберегайте прибор от резких ударов и чрезмерных механических воздействий. Не прикладывайте чрезмерных усилий при настройке фокуса. Не затягивайте стопорные и фиксирующие винты слишком туго.
- Не касайтесь пальцами поверхностей линз. Для внешней очистки прибора используйте специальную салфетку и специальные чистящие средства Levenhuk для чистки оптики. Не используйте для чистки средства с абразивными или коррозионными свойствами и жидкости на основе ацетона.
- Абразивные частицы (например, песок) следует не стирать, а сдувать или смахивать мягкой кисточкой.
- Не подвергайте прибор длительному воздействию прямых солнечных лучей. Не используйте прибор в условиях повышенной влажности и не погружайте его в воду.
- Работайте с микроскопом аккуратно, надевайте на него пылезащитный чехол после работы, чтобы защитить его от пыли и масляных пятен.
- Если объективы и окуляры не используются долгое время, храните их упакованными в сухую коробку, отдельно от микроскопа.
- Храните прибор в сухом прохладном месте, недоступном для пыли, влияния кислот или других активных химических веществ, вдали от отопителей (бытовых, автомобильных), открытого огня и других источников высоких температур.
- Не используйте микроскоп рядом с воспламеняемыми материалами, так как основание микроскопа может нагреться во время работы.
- Всегда отключайте микроскоп от электросети, прежде чем открывать батарейный отсек или менять лампу подсветки. Перед заменой лампы дайте ей остыть и всегда меняйте ее на лампу того же типа.
- Используйте источник питания, соответствующий напряжению сети, иначе может сгореть лампа, повредиться электросхема микроскопа или произойти короткое замыкание.
- **Если деталь прибора или элемент питания были проглочены, срочно обратитесь за медицинской помощью.**

## Международная пожизненная гарантия Levenhuk

Компания Levenhuk гарантирует отсутствие дефектов в материалах конструкции и дефектов изготовления изделия. Продавец гарантирует соответствие качества приобретенного вами изделия компании Levenhuk требованиям технической документации при соблюдении потребителем условий и правил транспортировки, хранения и эксплуатации изделия. Срок гарантии: на аксессуары – **6 (шесть) месяцев** со дня покупки, на остальные изделия – **пожизненная гарантия** (действует в течение всего срока эксплуатации прибора). Гарантия не распространяется на комплектующие с ограниченным сроком использования, в том числе лампы (накаливания, светодиодные, галогенные, энергосберегающие и прочие типы ламп), электрокомплектующие, расходные материалы, элементы питания и прочее.

Подробнее об условиях гарантийного обслуживания см. на сайте [www.levenhuk.ru/support](http://www.levenhuk.ru/support)

По вопросам гарантийного обслуживания вы можете обратиться в ближайшее представительство компании Levenhuk.

## Levenhuk prepared slides sets

The Levenhuk slides sets include thoroughly prepared specimens of various biomaterials as well as blank slides and cover glasses for you to make your own specimens. Prepared slides, blank slides and cover slips can be used with any microscope model.



[www.levenhuk.com](http://www.levenhuk.com)

Levenhuk Inc. (USA): 928 E 124th Ave. Ste D, Tampa, FL 33612, USA, +1-813-468-3001, [contact\\_us@levenhuk.com](mailto:contact_us@levenhuk.com)  
Levenhuk Optics s.r.o. (Europe): V Chotejně 700/7, 102 00 Prague 102, Czech Republic, +420 737-004-919, [sales-info@levenhuk.cz](mailto:sales-info@levenhuk.cz)  
Levenhuk® is a registered trademark of Levenhuk, Inc.  
© 2006–2023 Levenhuk, Inc. All rights reserved.  
20230615

**levenhuk**  
Zoom&Joy