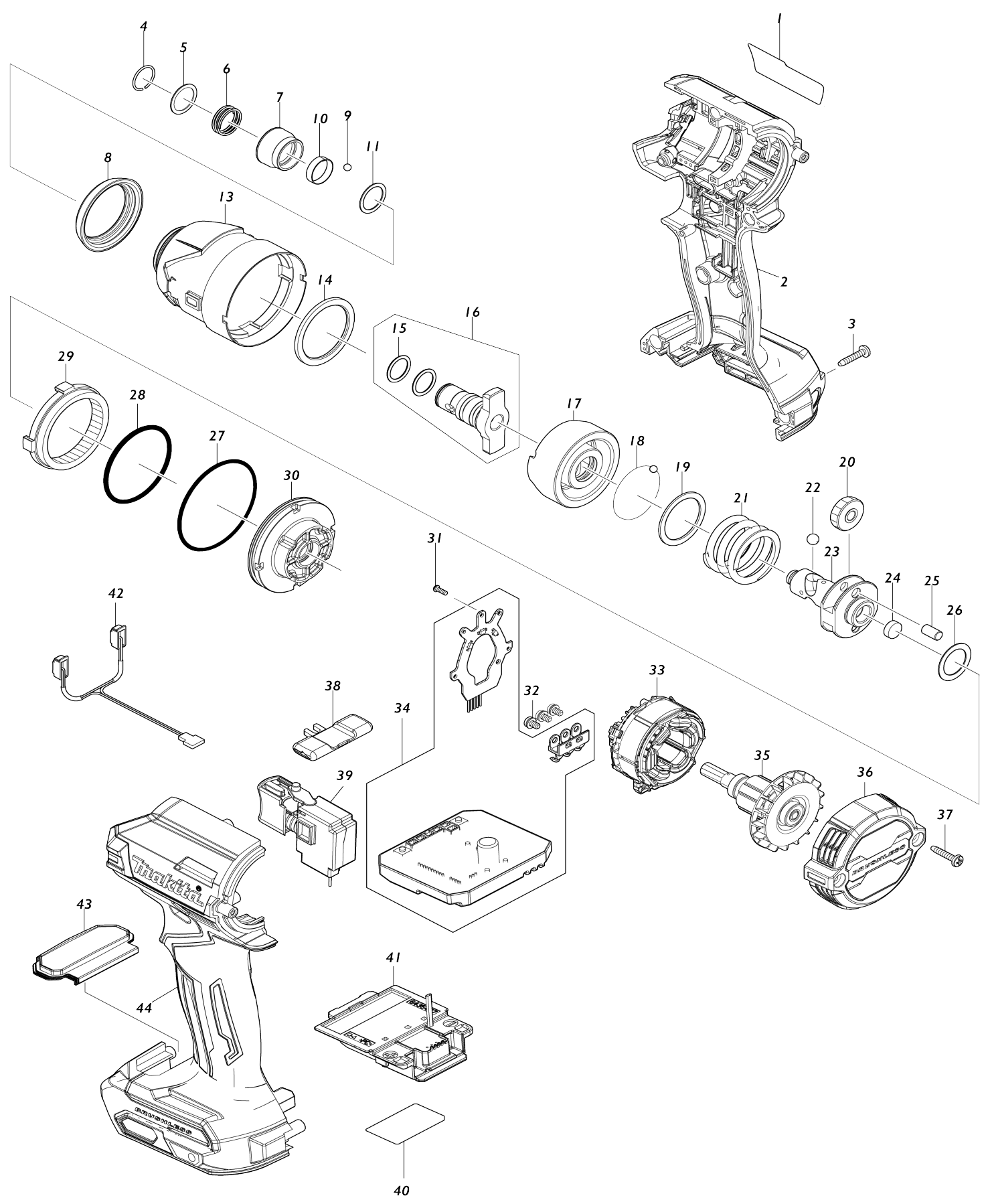


Model No.TD003G CORDLESS IMPACT DRIVER



Model No.TD003G CORDLESS IMPACT DRIVER

Item No.	Parts No.	Description	Interc hang eabilit y	Q'ty	New/ Old	Note1	Note2
001	8586R3-8	TD003G NAME PLATE		1			
002	183X95-3	HOUSING SET		1			
C10	263005-3	RUBBER PIN 6		2			
C20	252126-6	HEX. LOCK NUT M4-7		2			
C30	8007R2-2	XGT LOGO LABEL		1			
D10		INC. 44					
003	266429-2	TAPPING SCREW 3X16		8			
004	231952-6	RING SPRING 12		1			
005	253575-0	FLAT WASHER 13		1			
006	232592-3	COMPRESSION SPRING 14		1			
007	327B23-8	BIT SLEEVE		1			
008	422A03-4	BUMPER		1			
009	216040-0	STEEL BALL 3.5		2			
010	232800-2	LEAF SPRING		1			
011	253575-0	FLAT WASHER 13		1			
013	141M85-6	HAMMER CASE COMPLETE		1			
014	261160-5	NYLON WASHER 30		1			
015	213166-9	O RING 12.5		2			
016	136913-0	ANVIL M ASS'Y		1			
D10		INC. 15					
017	327B60-2	HAMMER		1			
018	216040-0	STEEL BALL 3.5		24			
019	267175-0	FLAT WASHER 24		1			
020	227362-3	SPUR GEAR 22		2			
021	232789-4	COMPRESSION SPRING 24		1			
022	216011-7	STEEL BALL 5.6		2			
023	327C18-7	SPINDLE		1			
024	422994-3	FELT		1	*		
024-1	422B40-4	FELT	S	1			
025	256253-1	PIN 5		2			
026	267194-6	FLAT WASHER 15		1			
027	213606-7	O RING 48		1			
028	213507-9	O RING 40		1			
029	227A92-2	INTERNAL GEAR 51		1			
030	141M87-2	BEARING BOX COMPLETE		1			
031	266490-9	TAPPING SCREW PT 2X6		3			
032	652069-6	FLAT HEAD SCREW M3X6		3			
033	629C08-9	STATOR		1			
034	620L00-2	CONTROLLER		1			
035	619808-7	ROTOR		1	*		
035-1	619877-8	ROTOR	S	1			
036	413L86-1	REAR COVER		1			
037	266429-2	TAPPING SCREW 3X16		2			
038	455053-8	F/R CHANGE LEVER		1			
039	651442-7	SWITCH C3JR-1A-1		1			
040	8586S0-1	TD003G SERIAL NO. LABEL		1			
041	632P49-4	TERMINAL UNIT		1			

042	620B97-1	LED CIRCUIT	1		
043	141M86-4	SWITCH PLATE COMPLETE	1		
044	183X95-3	HOUSING SET	1		
C10	263005-3	RUBBER PIN 6	2		
C20	252126-6	HEX. LOCK NUT M4-7	2		
C30	8007R2-2	XGT LOGO LABEL	1		
D10		INC. 2			
A01	266622-8	+ TRUSS HEAD SCREW M4X12	1		
A02	346317-0	HOOK	1		
A03	784044-5	+BIT2-50	1		
A04	821550-0	CONNECTOR PLASTIC CASE (TYP E2)	1		
C10	453974-8	LATCH	4		
A05	8065T0-6	TD003GZ01 PLASTIC CASE LABEL	2		
A06	8065T1-4	TD003GZ01 INDICATION LABEL	1		
A07	835F94-0	INNER TRAY	1		
A05	8065U1-1	TD003GA201 PLASTIC CASE LABEL	2		
A06	8065U2-9	TD003GA201 INDICATION LABEL	1		
A08	412393-7	BATTERY COVER	1		
A09	***DC40RC	DC40RC FAST CHARGER	1		
D10		COMPO-PARTS			
A10	191L29-0	BATTERY BL4020 SET	2		
A05	8065U4-5	TD003GA202 PLASTIC CASE LABEL	2		
A06	8065U5-3	TD003GA202 INDICATION LABEL	1		
A09	***DC40RA	DC40RA FAST CHARGER	1		
A05	8070F5-1	TD003GD201 PLASTIC CASE LABEL	2		
A06	8070F6-9	TD003GD201 INDICATION LABEL	1		
A10	191B36-3	BATTERY BL4025 SET	2		

Please state Parts No. when your order.

Print Date 06/11/2024