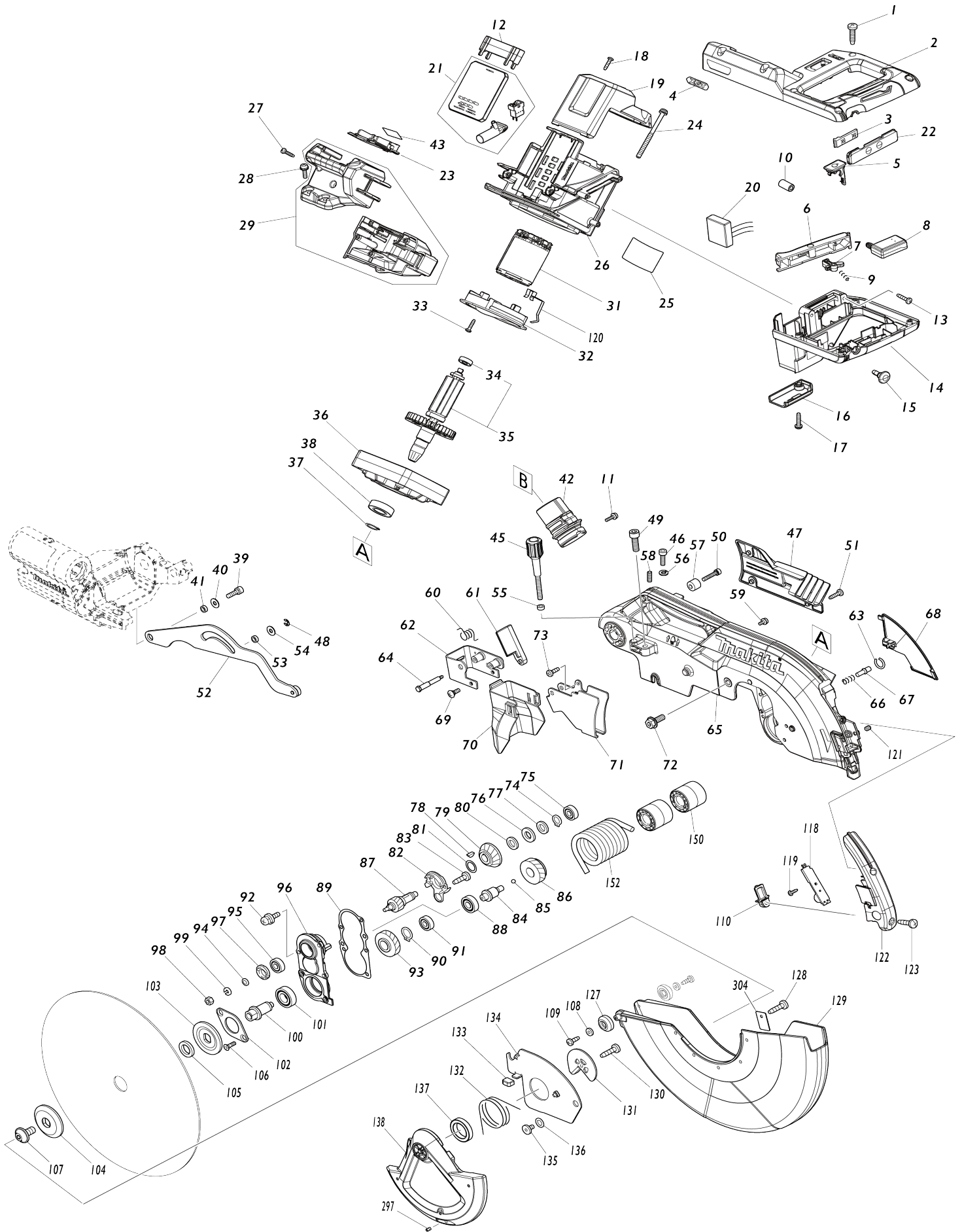
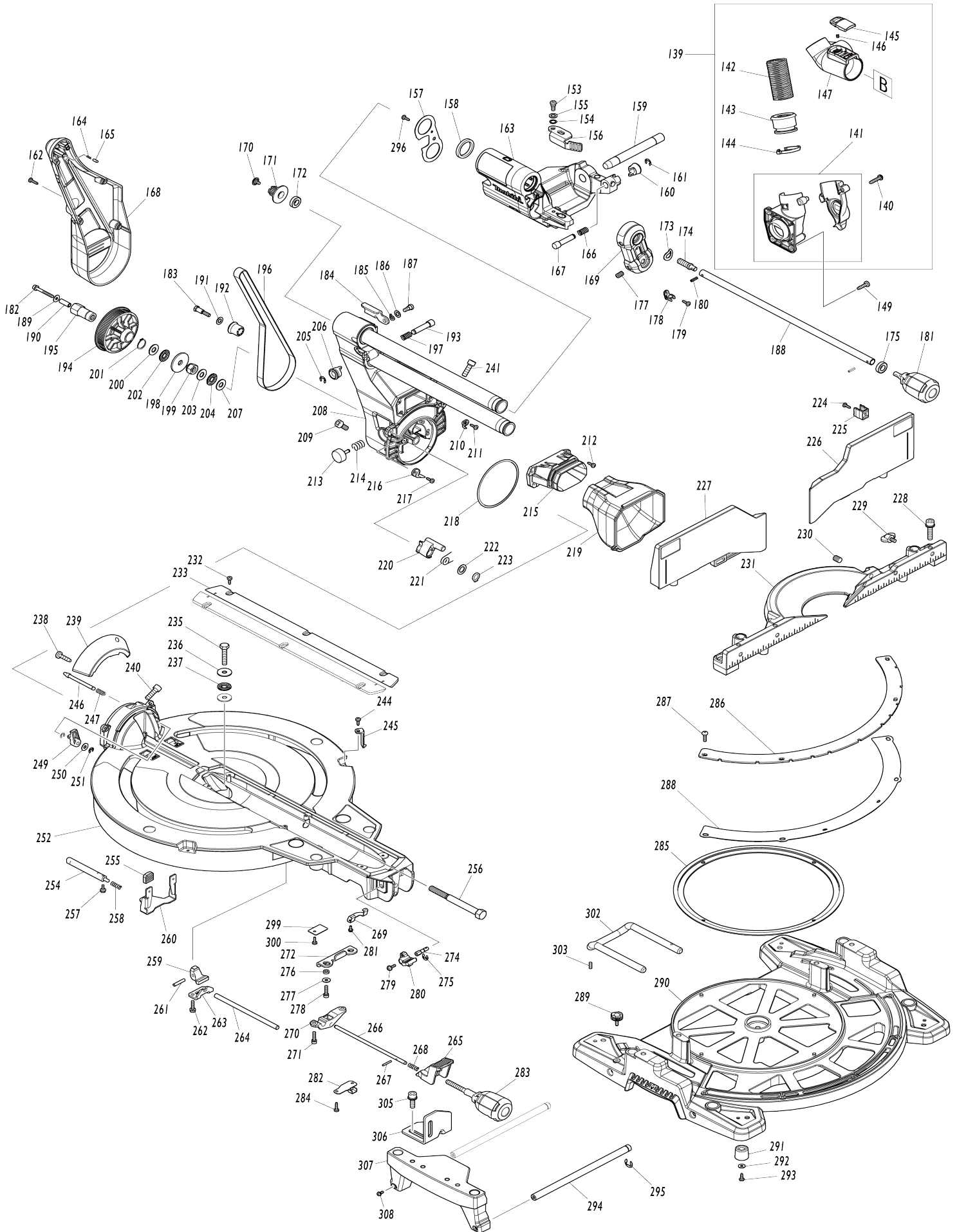


Model No.LS003G 305MM DC SLIDE CPD. MITER SAW



# Model No.LS003G 305MM DC SLIDE CPD. MITER SAW



Model No.LS003G 305MM DC SLIDE CPD. MITER SAW

Item No.	Parts No.	Description	Interchangability	Q'ty	New/Old	Note1	Note2
C10	181490-7	HAMMER GREASE 30G		2	*		
C11	1914C5-7	GREASE SET	O	2			
D10		INC. 1,2,5,7,22,26,27,29,31,					
001	265995-6	TAPPING SCREW 4X18		6			
002	183T58-5	HANDLE HANDLE COVER SET		1			
C10	810486-8	CAUTION LABEL		1			
D10		INC. 14					
003	631973-2	SWITCH UNIT		1			
004	8032A7-2	XGT LOGO LABEL		1			
005	140G30-2	CAP COMPLETE		1			
C10	213218-6	O RING 16		1	*		
C11	213A05-9	O-RING16	O	1			
C20	818H48-4	CAP LABEL		1			
006	457935-0	SWITCH LEVER		1			
007	416356-5	LOCK-OFF LEVER		1			
008	651083-9	SWITCH C3XA-1PSPM		1			
009	231026-3	COMPRESSION SPRING 4		1			
010	688163-8	LINE FILTER		1			
011	911123-8	PAN HEAD SCREW M4X14		1			
012	413590-8	SPACER		1			
013	265995-6	TAPPING SCREW 4X18		3			
014	183T58-5	HANDLE HANDLE COVER SET		1			
C10	810486-8	CAUTION LABEL		1			
D10		INC. 2					
015	451037-4	SWITCH BUTTON		1			
016	451000-7	LEAD COVER HOLDER		1			
017	265995-6	TAPPING SCREW 4X18		1			
018	265995-6	TAPPING SCREW 4X18		2			
019	457933-4	REAR COVER		1			
020	620E08-4	POWER SUPPLY CIRCUIT		1			
021	620F04-8	CONTROLLER		1			
022	141C22-0	SWITCH PLATE COMPLETE		1			
C10	8032A8-0	SWITCH LABEL		1			
023	632P65-6	TERMINAL UNIT		1			
024	911948-0	PAN HEAD SCREW M6X80 WITH WR		4			
025	811M04-3	LS003G NAME PLATE		1			
026	457906-7	MOTOR HOUSING		1			
027	265995-6	TAPPING SCREW 4X18		3			
028	911233-1	PAN HEAD SCREW M5X20		2			
029	183T26-8	BATTERY HOUSING SET		1			
C10	263005-3	RUBBER PIN 6		2			
031	629A76-0	STATOR		1			
032	413E35-6	BAFFLE PLATE		1			
033	265995-6	TAPPING SCREW 4X18		2			
034	211021-9	BALL BEARING 607LLB		1			
035	519554-1	ROTOR ASS'Y		1			
D10		INC. 34					

036	312B30-4	MOTOR BRACKET		1		
037	961057-5	RETAINING RING S-17		1		
038	210301-0	BALL BEARING 6003DDW		1		
039	922331-6	HEX. SOCKET HEAD BOLT M6X20		1		
040	253804-1	FLAT WASHER 6		1		
041	257461-7	RING 6		1		
042	459250-8	DUST NOZZLE		1		
043	811M10-8	LS003G SERIAL NO. LABEL		1		
045	251554-2	THUMB SCREW M6X40		1		
046	265A36-4	H.S.H.BOLT M6X16		1		
047	458146-0	LOGO PLATE		1		
048	961018-5	STOP RING E-5		1		
049	251547-9	HEX.SOCKET HEAD BOLT M8X25		1		
050	922251-4	HEX. SOCKET HEAD BOLT M5X30		1		
051	266034-5	TAPPING SCREW CT 4X16		3		
052	140J53-8	LINK PLATE COMPLETE		1		
053	257461-7	RING 6		1		
054	253804-1	FLAT WASHER 6		1		
055	262190-9	URETHANE RING 5		1		
056	253428-3	SPRING WASHER 6		1		
057	257449-7	SLEEVE 6		1		
058	266321-2	H.S.SET SCREW(FLAT POINT)M6X 16		1		
059	911114-9	PAN HEAD SCREW M4X10		2		
060	232412-1	TORSION SPRING 11		1		
061	457764-1	DUST GUIDE PLATE		1		
062	161647-6	GUARD HOLDER		1		
063	231928-3	RING SPRING 8		1		
064	251544-5	SHOULDER HEX. BOLT M4		1		
065	141C08-4	BLADE CASE COMPLETE		1		
C10	263005-3	RUBBER PIN 6		3		
066	231240-1	COMPRESSION SPRING 7		1		
067	256633-1	PIN 6		1		
068	458148-6	LEAD COVER		1		
069	265028-7	+ PAN HEAD SCREW M4X11		1	*	
069-1	265D50-8	+PAN HEAD SCREW M4X11	O	1		
070	422235-7	GUARD		1		
071	347308-4	GUARD PLATE		1		
072	266283-4	HEX. SOCKET HEX. BOLT M8X20		1		
073	266020-6	TAPPING SCREW 4X12		1		
074	961052-5	RETAINING RING (EXT) S-12		1		
075	210005-4	BALL BEARING 608DDW		1		
076	261104-5	RUBBER WASHER 12		1		
077	253744-3	FLAT WASHER 12		1		
078	254001-2	WOODRUFF KEY 4		1		
079	227550-2	SPIRAL BEVEL GEAR 32		1		
080	253744-3	FLAT WASHER 12		1		
081	253313-0	THIN WASHER 14		1		
082	451002-3	GREASE HOLDER		1		
083	266026-4	TAPPING SCREW BIND CT 4X12		2		
084	325643-0	GEAR SHAFT		1		
085	216049-2	STEEL BALL 4		1		

086	227702-5	HELICAL GEAR 27		1		
087	227701-7	HELICAL GEAR 14		1		
088	210067-2	BALL BEARING 6000ZZ		1		
089	442147-8	GASKET		1		
090	961055-9	RETAINING RING S-15		1		
091	210005-4	BALL BEARING 608DDW		1		
092	911223-4	PAN HEAD SCREW M5X16		3		
093	227703-3	HELICAL GEAR 28		1		
094	267010-2	FLAT WASHER 5		1		
095	210005-4	BALL BEARING 608DDW		1		
096	158957-0	BEARING BOX COMPLETE		1		
C10	263002-9	RUBBER PIN 4		1		
097	285847-5	BEARING RETAINER 14-23		1		
098	931202-6	HEX. NUT M5		1		
099	253427-5	SPRING WASHER 5		1		
100	325644-8	SPINDLE		1		
101	211236-8	BALL BEARING 6002DDW		1		
102	285732-2	BEARING RETAINER 51		1		
103	224431-1	INNER FLANGE 53		1		
104	224432-9	OUTER FLANGE 53		1		
105	257262-3	RING 16		1		
106	265034-2	+ COUNTERSUNK HEAD SCREW M5X16		2	*	
106-1	265D49-3	+COUNTERSUNK HEAD SCREW M5X16	O	2		
107	266755-9	HEX.SOCKET HEAD BOLT M10X20		1		
108	941051-3	FLAT WASHER 4		2		
109	266020-6	TAPPING SCREW 4X12		2		
110	418104-8	LENS		1		
118	620F05-6	LED CIRCUIT		1		
119	266421-8	TAPPING SCREW 3X10		1		
120	347947-0	PLATE		1	*	
120-1	654888-6	EARTH PLATE	O	1		
121	266264-8	H.S.SET SCREW(FLAT POINT)M5X6		2		
122	141C21-2	LED COVER COMPLETE		1		
C10	8024V4-4	CAUTION LABEL		1		
123	266034-5	TAPPING SCREW CT 4X16		2		
127	424193-3	ROLLER		2		
128	266385-6	TAPPING SCREW 4X14		3		
129	413820-7	SAFETY COVER B		1		
130	266385-6	TAPPING SCREW 4X14		1		
131	347213-5	CENTER PLATE		1		
132	231634-0	TORSION SPRING 45		1		
133	424190-9	CUSHION		1		
134	347835-1	CENTER COVER		1		
135	265985-9	HEX.SOCKET HEAD BOLT M6		1		
136	253932-2	WAVE WASHER 10		1		
137	210168-6	BALL BEARING 6805DDW		1		
138	458437-9	SAFETY COVER A		1		
139	127274-9	DUST NOZZLE ASSEMBLY		1	*	

D10		INC. 140-147				
139-1	127274-9	DUST NOZZLE ASSEMBLY	O	1		
D10		INC. 141-147				
140	265995-6	TAPPING SCREW 4X18		3	*	
141	183H71-1	HOSE CONNECTOR SET		1	*	
141-1	413J67-3	HOSE CONNECTOR	S	1		
142	245048-7	HOSE 28-0.5		1		
143	457672-6	SLEEVE		1		
144	457673-4	STOPPER		1		
145	458939-5	BUTTON A		1		
146	232485-4	COMPRESSION SPRING 5		1		
147	459249-3	HOSE JOINT		1		
149	266034-5	TAPPING SCREW CT 4X16		3		
150	458149-4	SLEEVE 17		2		
152	233542-1	TORSION SPRING 40		1		
153	251267-5	+ PAN HEAD SCREW M6		1		
154	253948-7	WAVE WASHER 8		1		
155	253835-0	FLAT WASHER 8		1		
156	347221-6	STOPPER ARM		1		
157	347222-4	FRONT ARM PLATE		1		
158	262076-7	FELT RING 30		2		
159	326994-4	ROD 16		1		
160	271437-0	KNOB 22		1		
161	961013-5	STOP RING E-7		1		
162	266034-5	TAPPING SCREW CT 4X16		4		
163	141C14-9	FRONT ARM COMPLETE		1		
C10	263005-3	RUBBER PIN 6		2		
164	233151-6	COMPRESSION SPRING 4		1		
165	256364-2	PIN 4		1		
166	232384-0	COMPRESSION SPRING 10		1		
167	326977-4	STOPPER PIN		1		
168	458145-2	ARM COVER		1		
169	141C11-5	HOLDER COMPLETE		1		
C10	812X89-8	INDICATION LABEL		1		
170	265008-3	+ FLAT HEAD SCREW M5		1		
171	222191-9	PULLEY 17-19.3		1		
172	210167-8	BALL BEARING 6900LLB		1		
173	267804-5	WAVE WASHER 15		1		
174	326975-8	SHAFT		1		
175	210167-8	BALL BEARING 6900LLB		1		
177	913416-9	SET SCREW M8X12		2		
178	416536-3	WRENCH HOLDER		1		
179	266026-4	TAPPING SCREW BIND CT 4X12		1		
180	951107-4	SPRING PIN 4-14		2		
181	273016-0	GRIP 50 B		1		
182	266440-4	HEX SOCKET HEAD BOLT M5X40		1		
183	251545-3	SHOULDER HEX. BOLT M6		1		
184	144930-6	STOP LEVER COMPLETE		1		
C10	812X87-2	INDICATION LABEL		1		
185	253948-7	WAVE WASHER 8		1		
186	253835-0	FLAT WASHER 8		1		
187	251267-5	+ PAN HEAD SCREW M6		1		

188	327054-5	PIN 9-418		1		
189	253194-2	FLAT WASHER 5		1		
190	257436-6	SLEEVE 5		1		
191	253165-9	FLAT WASHER 8		1		
192	457666-1	SLEEVE 20		1		
193	326977-4	STOPPER PIN		1		
194	222192-7	PULLEY 17-87.8		1		
195	327053-7	HEX. NUT M10-19		1		
196	225102-3	SYNCHRO BELT 15-810		1		
197	232384-0	COMPRESSION SPRING 10		1		
198	253388-9	FLAT WASHER 10		1		
199	252244-0	HEX.LOCK NUT M10-17		1		
200	253024-7	FLAT WASHER 10		1		
201	961057-5	RETAINING RING S-17		1		
202	216413-7	THRUST NEEDLE CAGE 1024		1		
203	253024-7	FLAT WASHER 10		1		
204	216413-7	THRUST NEEDLE CAGE 1024		1		
205	961013-5	STOP RING E-7		1		
206	271437-0	KNOB 22		1		
207	253024-7	FLAT WASHER 10		1		
208	141C12-3	ARM COMPLETE		1		
C10	812X88-0	INDICATION LABEL		1		
209	251547-9	HEX.SOCKET HEAD BOLT M8X25		1		
210	458151-7	INDICATION PLATE R		1		
211	266026-4	TAPPING SCREW BIND CT 4X12		1		
212	266034-5	TAPPING SCREW CT 4X16		4		
213	415208-7	RELEASE BUTTON		1		
214	233031-6	COMPRESSION SPRING 12		1		
215	457654-8	DUST GUIDE HOLDER		1		
216	458150-9	INDICATION PLATE L		1		
217	266026-4	TAPPING SCREW BIND CT 4X12		1		
218	253389-7	WASHER 94		1		
219	422229-2	DUST GUIDE		1		
220	319593-9	STOPPER		1		
221	231646-3	TORSION SPRING 14		1		
222	253744-3	FLAT WASHER 12		1		
223	961052-5	RETAINING RING (EXT) S-12		1		
224	266026-4	TAPPING SCREW BIND CT 4X12		2		
225	457668-7	HOLDER		2		
226	141C18-1	UPPER FENCE R COMPLETE		1		
C10	810503-4	CAUTION LABEL		1		
227	141C16-5	UPPER FENCE L COMPLETE		1		
C10	810503-4	CAUTION LABEL		1		
228	922458-2	H.S.H.BOLT M8X35 WITH WR		4		
229	251887-5	SCREW M6X10		2		
230	251561-5	H.SOCKET HEAD SET SCREW M10 X12		2		
231	312B37-0	GUIDE FENCE		1		
232	266026-4	TAPPING SCREW BIND CT 4X12		6		
233	413819-2	KERF BOARD		2		
235	265442-7	HEX. BOLT M8X40		1		
236	253852-0	FLAT WASHER 8		2		

237	216413-7	THRUST NEEDLE CAGE 1024	1		
238	266385-6	TAPPING SCREW 4X14	2		
239	458147-8	BEVEL SCALE PLATE	1		
240	251547-9	HEX.SOCKET HEAD BOLT M8X25	1		
241	251547-9	HEX.SOCKET HEAD BOLT M8X25	1		
244	266026-4	TAPPING SCREW BIND CT 4X12	2		
245	457702-3	INDICATION PLATE	2		
246	326970-8	LOCK PIN 8	1		
247	234122-6	COMPRESSION SPRING 6	1		
249	457657-2	LEVER 25	1		
250	253804-1	FLAT WASHER 6	1		
251	961018-5	STOP RING E-5	2		
252	141E09-4	TURN BASE COMPLETE	1		
C10	813L22-1	CAUTION LABEL	2		
C20	812X85-6	CAUTION LABEL	1		
254	326973-2	ROD 12	1		
255	286039-9	CAP	2		
256	326976-6	CENTER SHAFT	1		
257	911113-1	PAN HEAD SCREW M4X10 WITH WR	2		
258	231325-3	COMPRESSION SPRING 6	1		
259	310803-7	TURN STOPPER	1		
260	347217-7	LEVER PLATE	1		
261	256186-0	PIN 5	1		
262	911231-5	PAN HEAD SCREW M5X20	2		
263	347219-3	STOPPER HOLDER	1		
264	327052-9	LOCK ROD	1		
265	457656-4	LOCK LEVER	1		
266	327051-1	LOCK PIN 6	1		
267	256158-5	PIN 3	1		
268	233201-7	COMPRESSION SPRING 6	1		
269	347237-1	CAM PLATE	1		
270	319592-1	PIN HOLDER	1		
271	922231-0	HEX. SOCKET HEAD BOLT M5X20	2		
272	347216-9	LOCK PLATE	1		
274	326972-4	ROD 6	1		
275	961011-9	STOP RING E-4	1		
276	257425-1	RING 5	2		
277	253194-2	FLAT WASHER 5	2		
278	922231-0	HEX. SOCKET HEAD BOLT M5X20	2		
279	911113-1	PAN HEAD SCREW M4X10 WITH WR	1		
280	144656-0	LEVER 25 COMPLETE	1		
C10	263005-3	RUBBER PIN 6	1		
281	911008-8	PAN HEAD SCREW M3X8	1		
282	345272-3	LOCK LEVER PLATE	1		
283	273015-2	GRIP 50A	1		
284	266026-4	TAPPING SCREW BIND CT 4X12	2		
285	457655-6	SLIDE PLATE	1		
286	347837-7	MITER SCALE PLATE	1		
287	251546-1	+ PAN HEAD SCREW M5	4		
288	347218-5	MITER LOCK PLATE	1		



289	265786-5	SCREW M5X16		2		
290	312B35-4	BASE		1		
291	421845-7	FOOT		4		
292	267195-4	FLAT WASHER 4		4		
293	266026-4	TAPPING SCREW BIND CT 4X12		4		
294	327315-3	ROD 12		4		
295	961015-1	STOP RING E-9		2		
296	266026-4	TAPPING SCREW BIND CT 4X12		1		
297	266318-1	H.S.SET SCREW(FLAT POINT)M4X 6		1	*	
299	232249-6	LEAF SPRING		1		
300	266026-4	TAPPING SCREW BIND CT 4X12		1		
302	327145-2	HOLDER 90		1		
303	266213-5	H.S.SET SCREW(FLAT POINT)M5X 12		1		
304	232249-6	LEAF SPRING		1		
305	922443-5	H.S.H.BOLT M8X25 WITH WR		4		
306	347836-9	SUB FENCE		2		
307	312B36-2	SUB BASE		2		
308	911113-1	PAN HEAD SCREW M4X10 WITH WR		4		
A01	122852-0	DUST BAG ASS'Y		1		
C10	410602-8	FASTENER		1		
A02	126617-2	WISE ASS'Y		1		
A03	762001-3	TRIANGULAR RULE		1		
A05	198900-7	WIRELESS UNIT SET		1	*	
A05-1	198900-7	WIRELESS UNIT SET	<	1		
A06	B-67309	TCT BLADE305X60T WOOD EFFIC UT		1		
A07	781044-6	HEX. WRENCH 6		1		
F02	192628-9	CROWN MOLDING STOPPER (L.R )		1		
F03	198688-9	STAND SET		1		
F04	198687-1	STAND SET		1		

Please state Parts No. when your order.

Print Date 06/10/2024