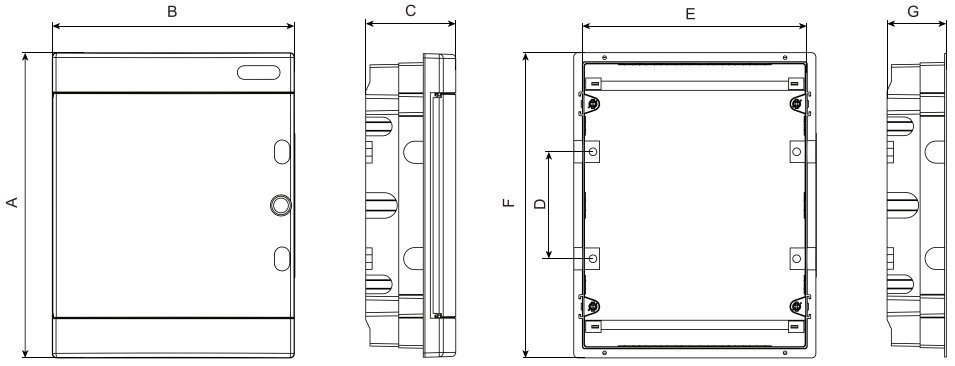
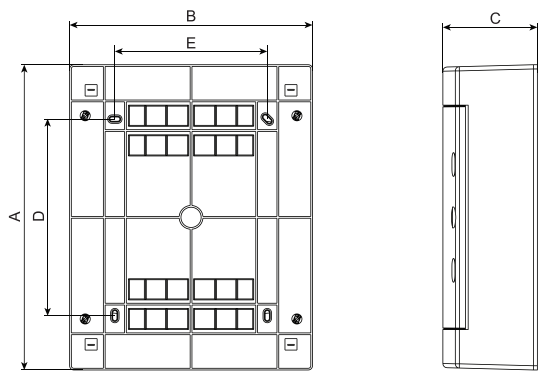


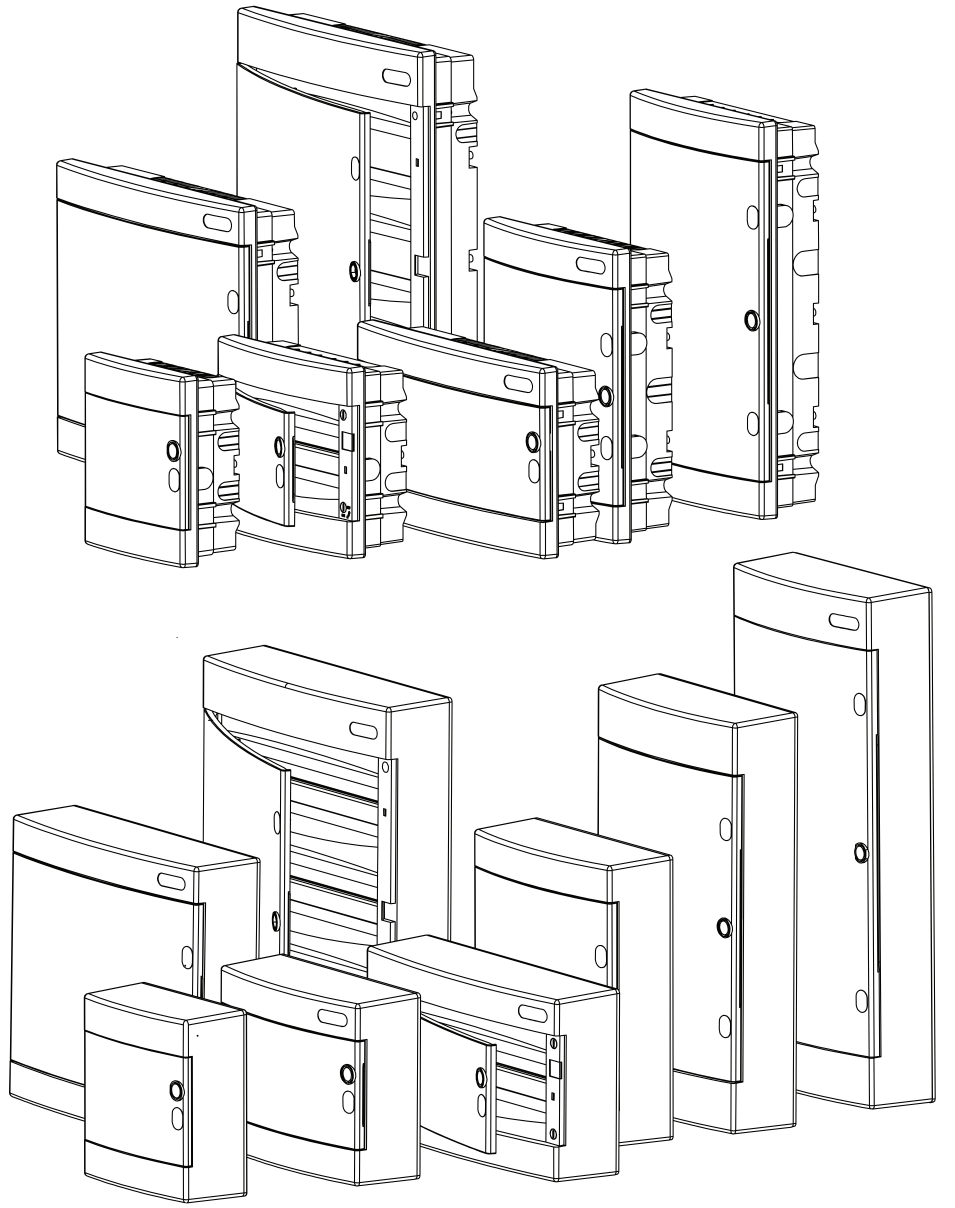
GP



DIN RAIL MOUNTING	A	B	C	D	E	F	G	Pde	Static load
U8C / U8CW	232 mm	211 mm	99 mm	-	201 mm	212 mm	68 mm	> 16 W	1040 g
U12C / U12CW	232 mm	283 mm	106 mm	-	273 mm	212 mm	68 mm	> 25 W	1560 g
U24CC / U24CW	357 mm	283 mm	106 mm	125 mm	273 mm	336 mm	68 mm	> 30 W	1560 g
U36C / U36CW	482 mm	283 mm	106 mm	125 mm	273 mm	462 mm	68 mm	> 30 W	1560 g
U18C / U18CW	232 mm	392 mm	106 mm	-	382 mm	212 mm	68 mm	> 25 W	2340 g
U2x18C / U2x18CW	357 mm	392 mm	106 mm	125 mm	382 mm	336 mm	68 mm	> 30 W	2340 g
U3x18C / U3x18CW	522 mm	392 mm	106 mm	125 mm	382 mm	502 mm	68 mm	> 35 W	2340 g

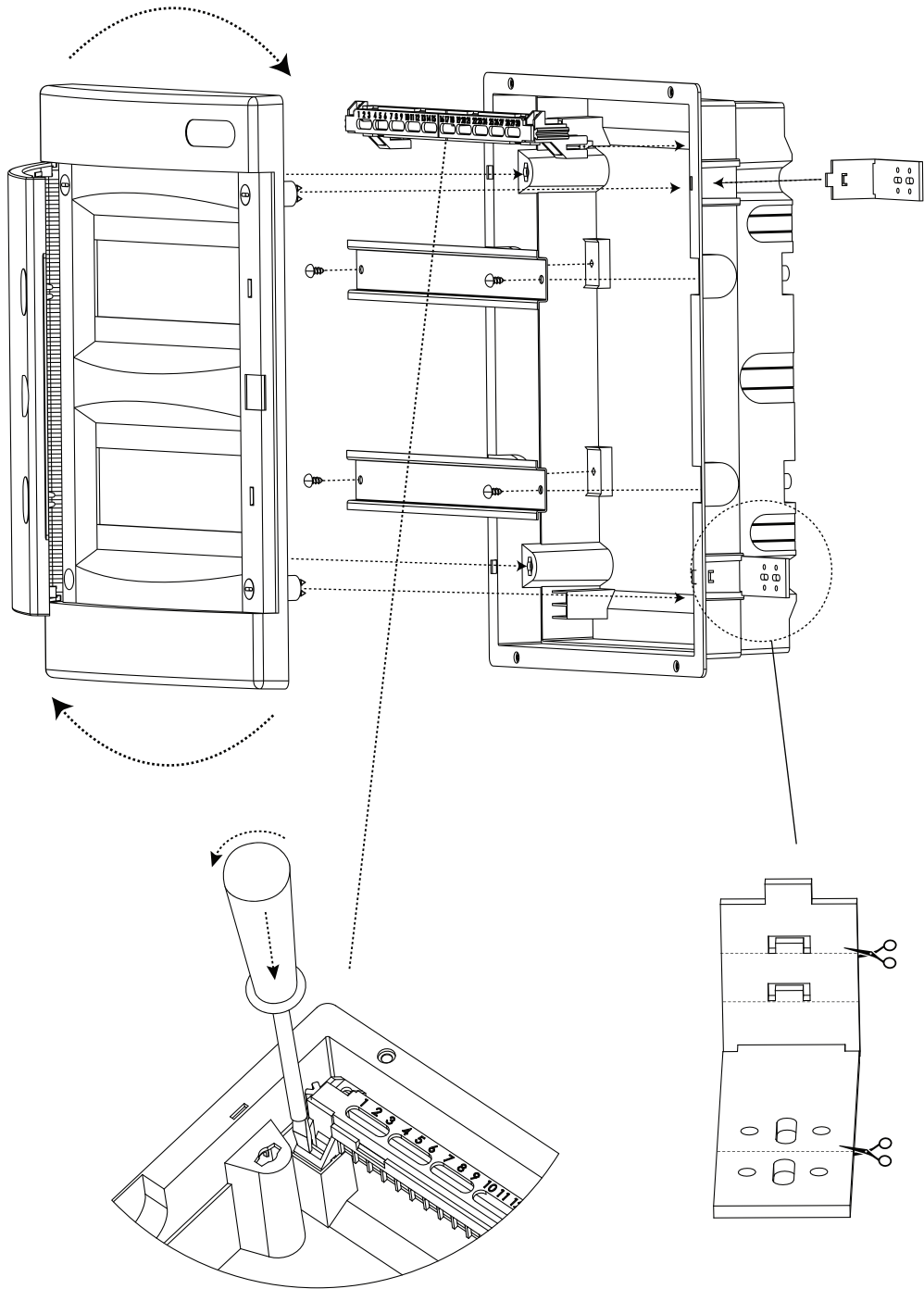


DIN RAIL MOUNTING	A	B	C	D	E	Pde	Static load
N8C / N8CW	236 mm	215 mm	102 mm	107 mm	120 mm	> 16 W	1040 g
N12 / N12CW	236 mm	287 mm	112 mm	107 mm	180 mm	> 25 W	1560 g
N24CC / N24CW	361 mm	287 mm	112 mm	232 mm	180 mm	> 30 W	1560 g
N36C / N36CW	485 mm	287 mm	112 mm	357 mm	180 mm	> 30 W	1560 g
N48C / N48CW	652 mm	287 mm	112 mm	482 mm	180 mm	> 35 W	1560 g
N18C / N18CW	236 mm	396 mm	112 mm	107 mm	289 mm	> 25 W	2340 g
N2x18C / N2x18CW	361 mm	396 mm	112 mm	232 mm	289 mm	> 30 W	2340 g
N3x18C / N3x18CW	526 mm	396 mm	112 mm	357 mm	289 mm	> 35 W	2340 g

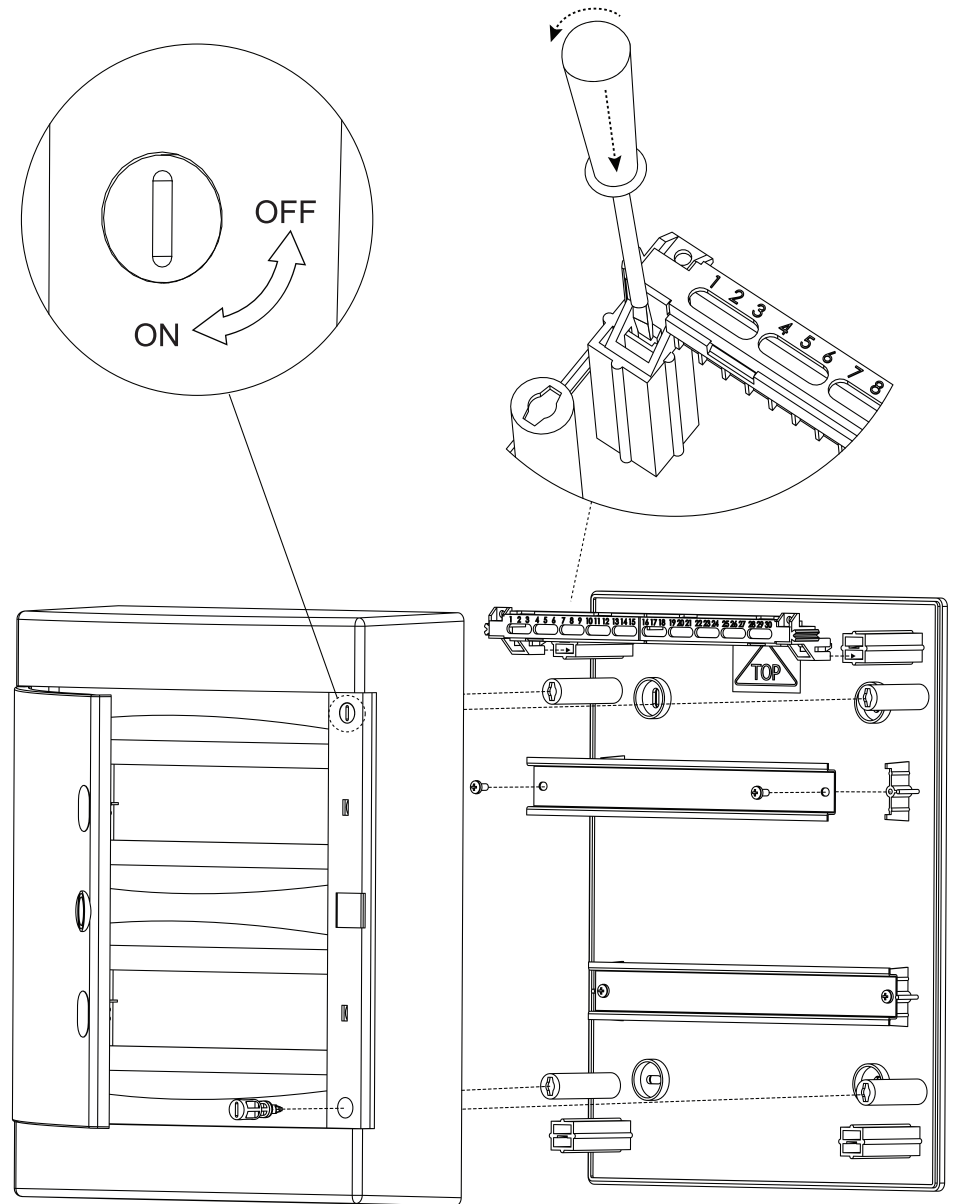


For indoor locations ( $\leq 50\%$  RH at max.  $+40^\circ\text{C}$  or for example  $90\%$  RH at  $+20^\circ\text{C}$ )  
 Temperature range:  $-25^\circ\text{C}$  ...  $+60^\circ\text{C}$ , Rating Voltage AC 400 V; IP40; Class II ; IK08  
 According to: IEC 60670; IEC 62208

Zdravka Jekića 119, 22305 Stari Banovci, Serbia  
 Phone: +381 22 351 223  
 e-mail: office@tehno-plast.com



DIN RAIL MOUNTING



DIN RAIL MOUNTING