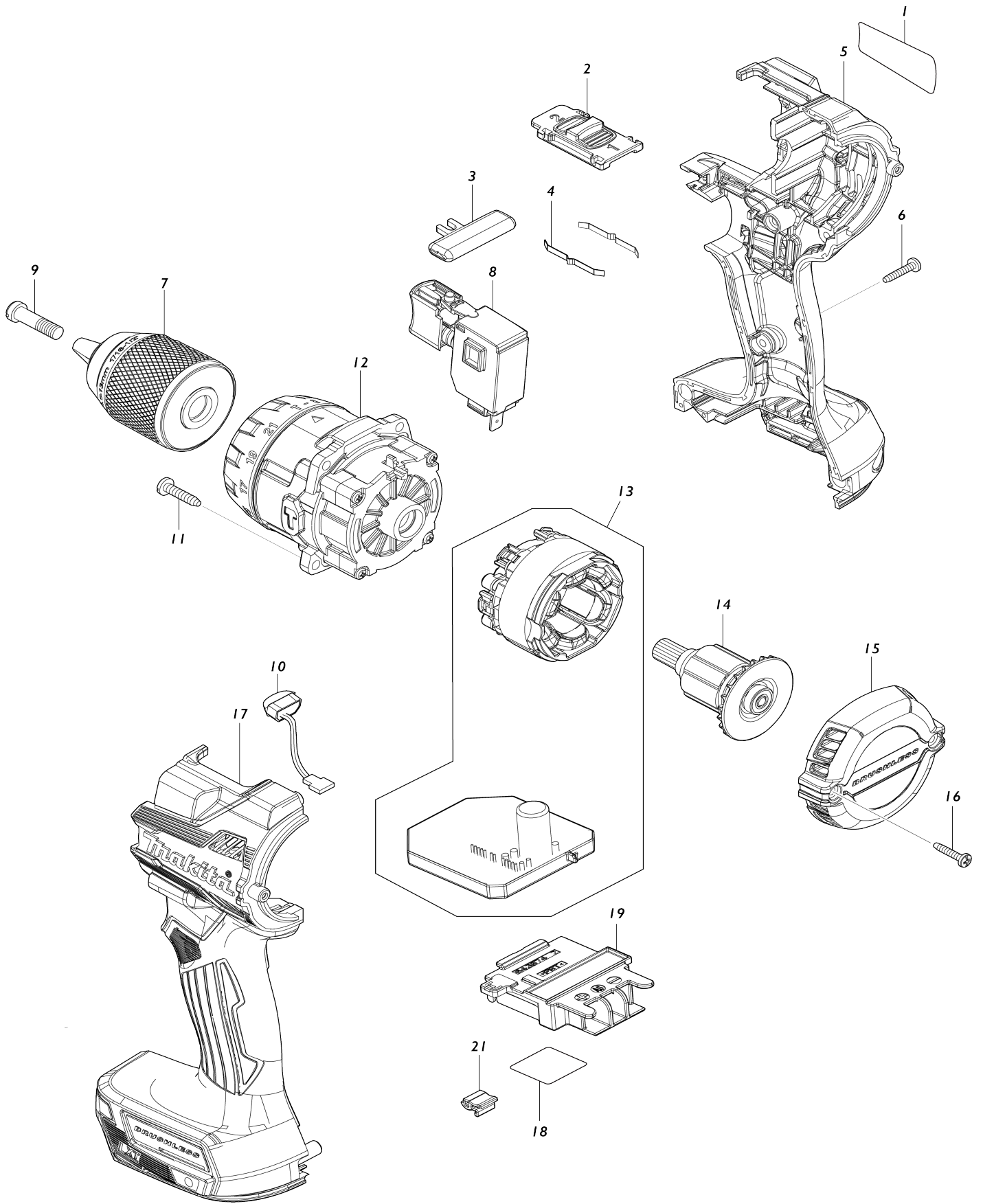


Model No.DHP489 CORDLESS HAMMER DRIVER DRILL



Model No.DHP489 CORDLESS HAMMER DRIVER DRILL

Item No.	Parts No.	Description	Interchangability	Q'ty	New/Old	Note1	Note2
001	8585E1-5	DHP489 NAME PLATE		1			
002	127494-5	SPEED CHANGE LEVER ASSEMBLY		1			
C10	233438-6	COMPRESSION SPRING 4		2			
003	419041-9	F/R CHANGE LEVER		1			
004	232220-0	LEAF SPRING		2			
005	183X19-9	HOUSING SET		1			
C10	263005-3	RUBBER PIN 6		2			
C20	252126-6	HEX. LOCK NUT M4-7		2			
D10		INC. 17					
006	266130-9	TAPPING SCREW BIND PT 3X16		7			
007	763261-0	KEYLESS DRILL CHUCK 13		1			
008	650710-5	SWITCH C3JW-4B		1			
009	251468-5	- FLAT HEAD SCREW M6X22		1			
010	620549-0	LED CIRCUIT		1			
011	266326-2	TAPPING SCREW 4X18		4			
012	122D65-7	GEAR ASSEMBLY		1			
013	629B98-6	STATOR COMPLETE		1			
014	619797-6	ROTOR		1			
015	413N80-5	REAR COVER		1			
016	266130-9	TAPPING SCREW BIND PT 3X16		2			
017	183X19-9	HOUSING SET		1			
C10	263005-3	RUBBER PIN 6		2			
C20	252126-6	HEX. LOCK NUT M4-7		2			
D10		INC. 5					
018	8585E9-9	DHP489 SERIAL NO. LABEL		1			
019	643874-2	TERMINAL		1			
021	424517-3	CUSHION		1			
A01	251314-2	+ SCREW M4X12		1			
A02	346317-0	HOOK		1			
A03	784637-8	+ - BIT 2-45		1			
F01	1912A4-3	GRIP ASSEMBLY SET		1			
A04	821550-0	CONNECTOR PLASTIC CASE (TYPE2)		1			
C10	453974-8	LATCH		4			
A05	8064L6-2	DHP489RGJ PLASTIC CASE LABEL		2			
A06	837916-4	INNER TRAY		1			
A07	450128-8	BATTERY COVER		2			
A08	***DC18RC	DC18RC FAST CHARGER		1			
D10		COMPO-PARTS					
A09	197422-4	BATTERY BL1860B SET		2			
A10	8064L5-4	DHP489RGJ INDICATION LABEL		1			
A05	8064L4-6	DHP489RTJ PLASTIC CASE LABEL		2			
A09	197280-8	BATTERY BL1850B SET		2			
A10	8064L3-8	DHP489RTJ INDICATION LABEL		1			

Please state Parts No. when your order.

Print Date 24/10/2023