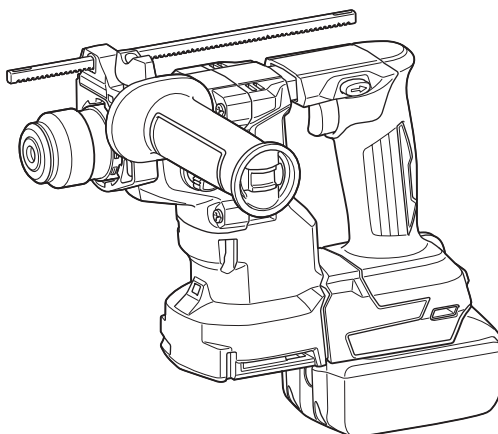




<b>EN</b>	Cordless Rotary Hammer	<b>INSTRUCTION MANUAL</b>	<b>8</b>
<b>SV</b>	Batteridrivnen borrhammare	<b>BRUKSANVISNING</b>	<b>18</b>
<b>NO</b>	Batteridrevet borhammer	<b>BRUKSANVISNING</b>	<b>28</b>
<b>FI</b>	Akkukäyttöinen poravasara	<b>KÄYTTÖOHJE</b>	<b>38</b>
<b>DA</b>	Akku-borehammer	<b>BRUGSANVISNING</b>	<b>48</b>
<b>LV</b>	Bezvada perforators	<b>LIETOŠANAS INSTRUKCIJA</b>	<b>58</b>
<b>LT</b>	Akumuliatorinis smūginis grąžtas	<b>NAUDOJIMO INSTRUKCIJA</b>	<b>68</b>
<b>ET</b>	Juhtmeta puurvasar	<b>KASUTUSJUHEND</b>	<b>78</b>
<b>RU</b>	Аккумуляторный Перфоратор	<b>РУКОВОДСТВО ПО ЭКСПЛУАТАЦИИ</b>	<b>88</b>

## DHR183



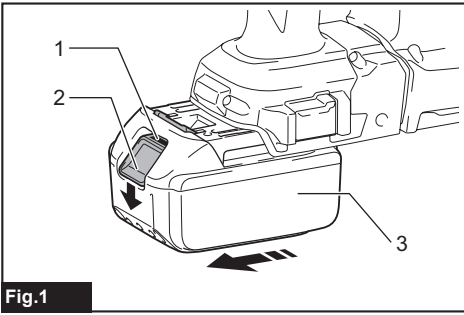


Fig.1

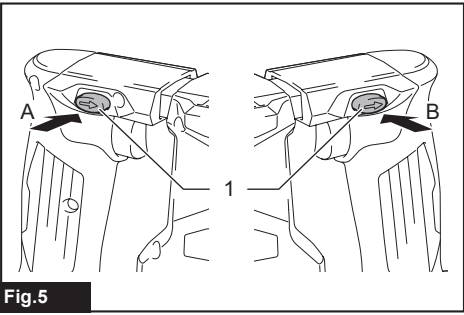


Fig.5



Fig.2

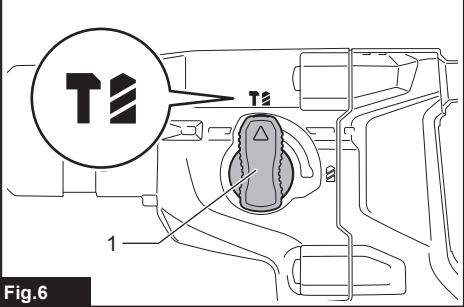


Fig.6

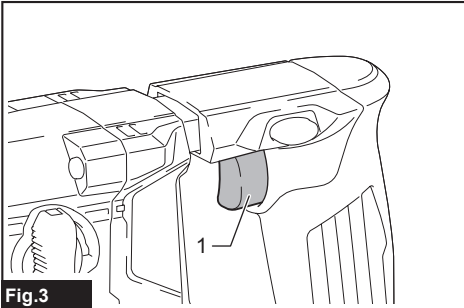


Fig.3

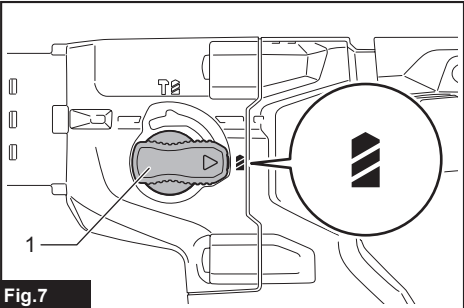


Fig.7

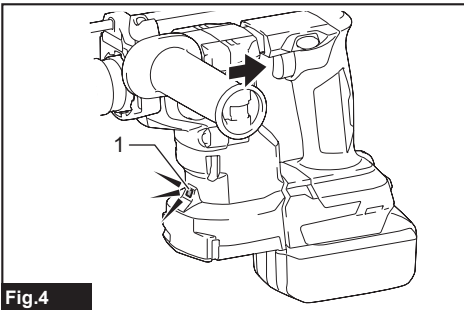


Fig.4

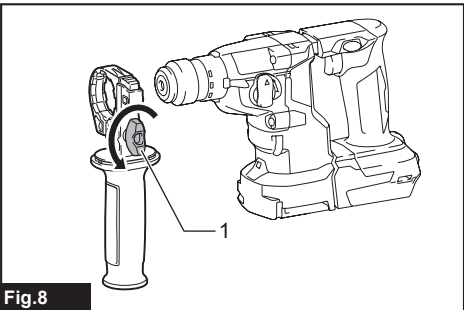


Fig.8

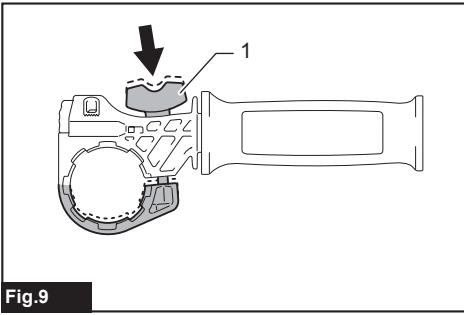


Fig.9

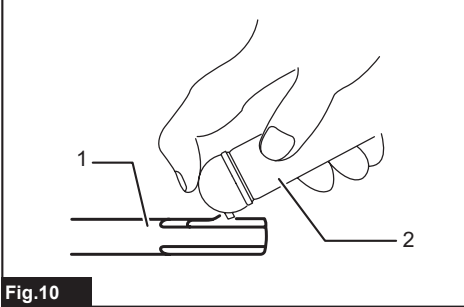


Fig.10

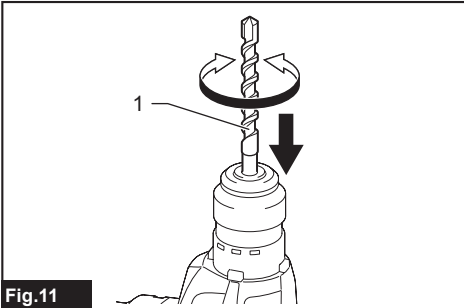


Fig.11

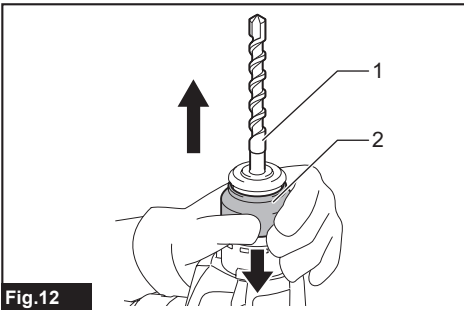


Fig.12

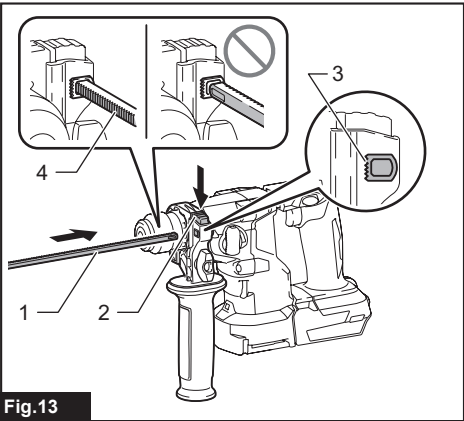


Fig.13

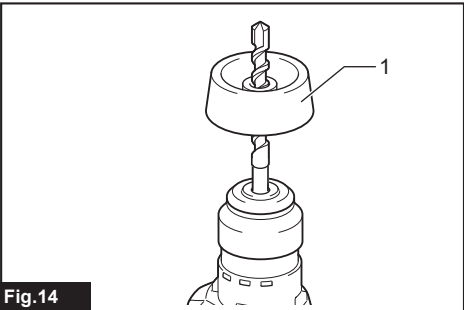


Fig.14

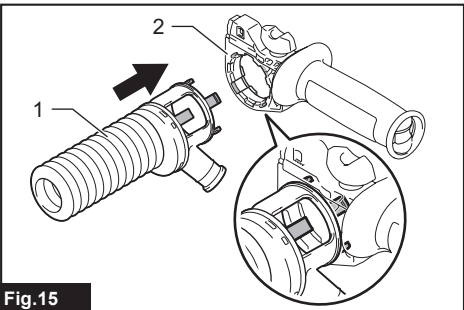


Fig.15

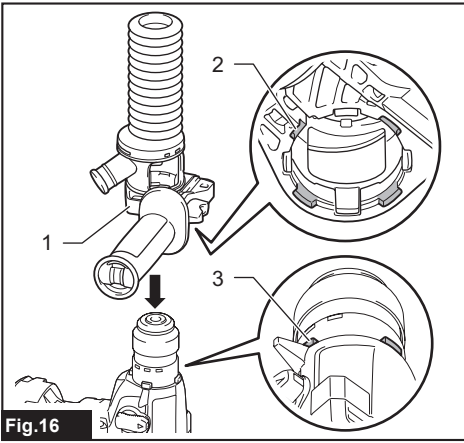


Fig.16

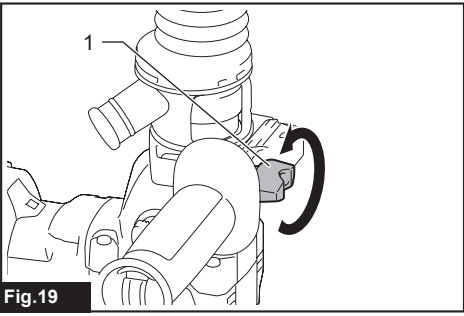


Fig.19

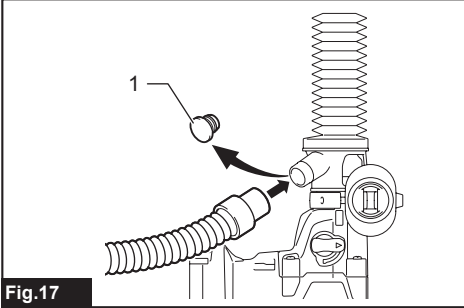


Fig.17

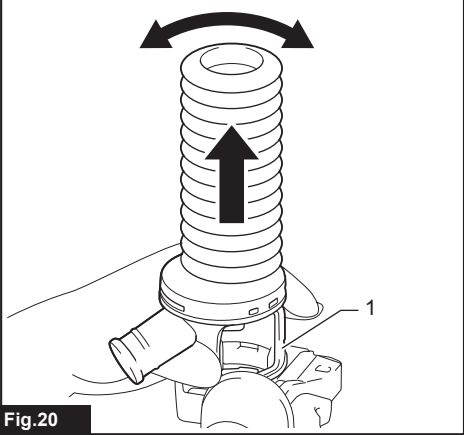


Fig.20

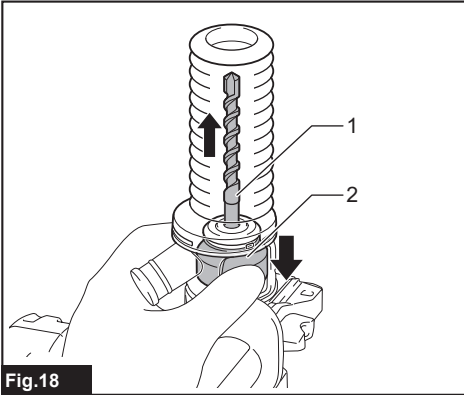


Fig.18

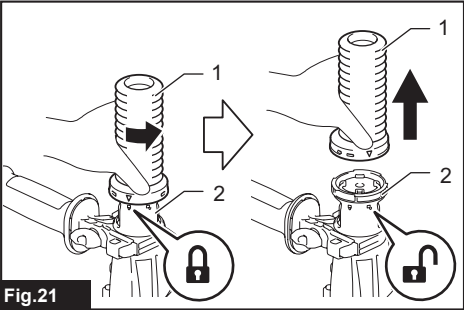


Fig.21

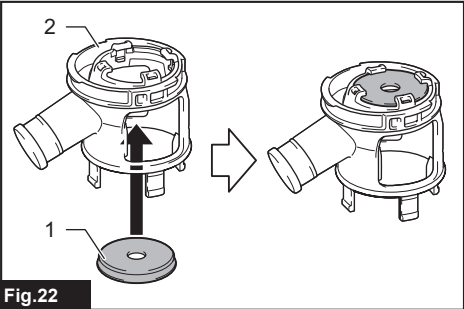


Fig.22

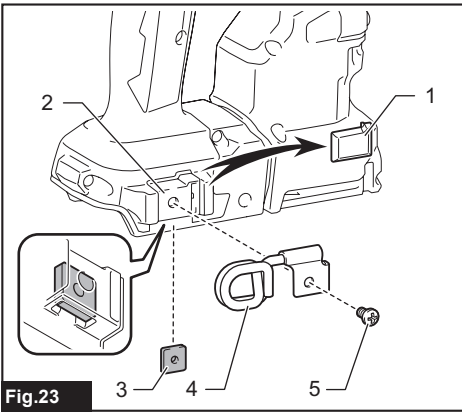


Fig. 23

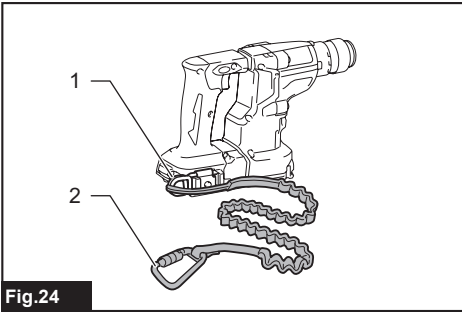


Fig. 24

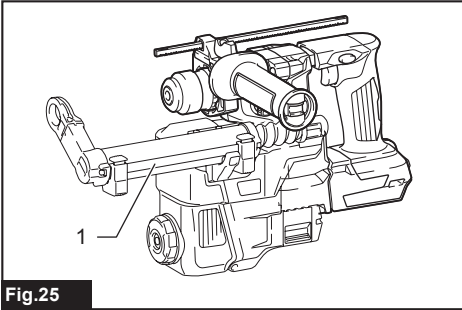


Fig. 25

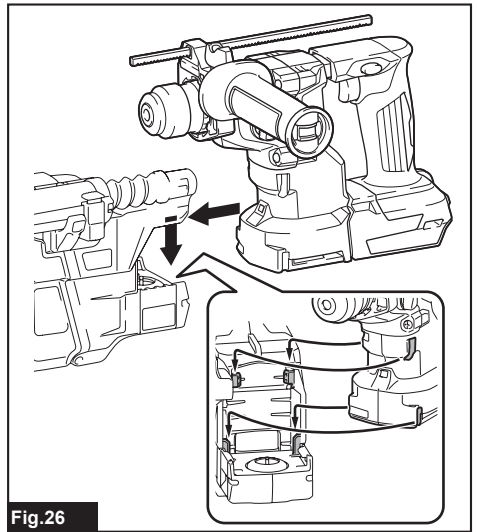


Fig. 26

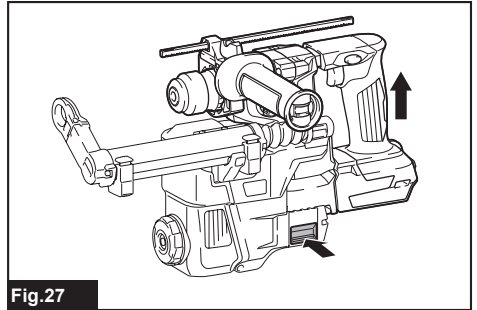


Fig. 27

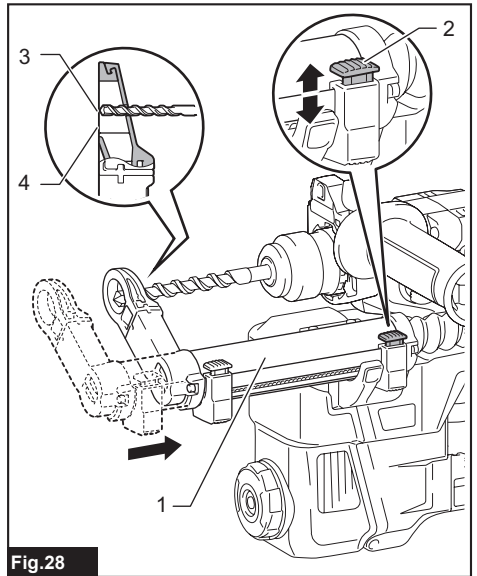


Fig. 28

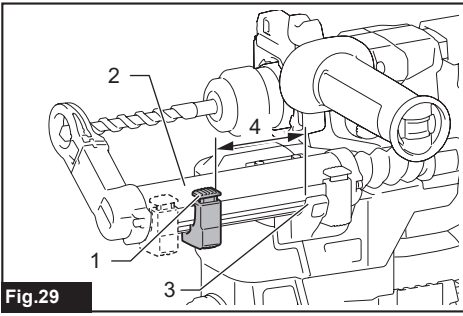


Fig.29

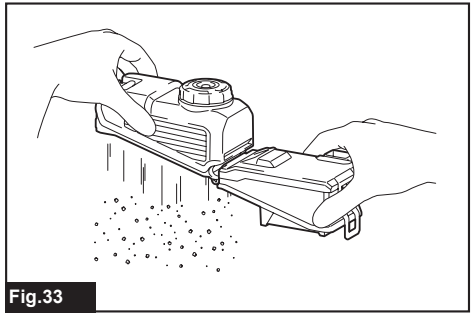


Fig.33

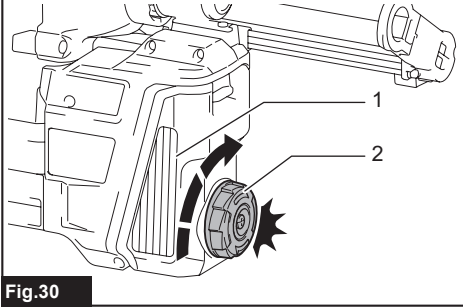


Fig.30

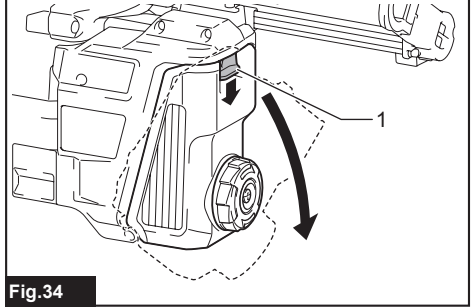


Fig.34

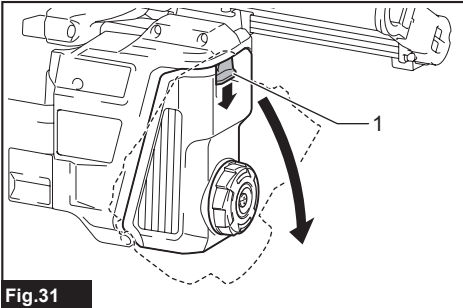


Fig.31

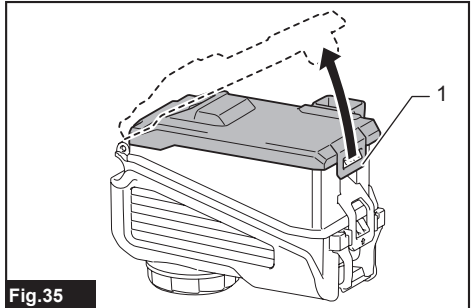


Fig.35

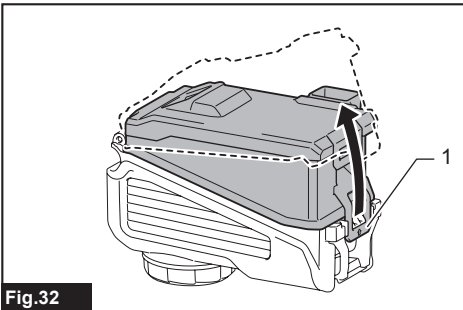


Fig.32

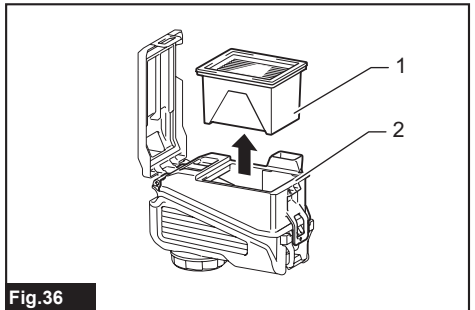


Fig.36

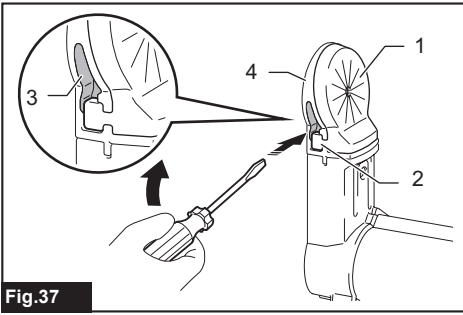


Fig.37

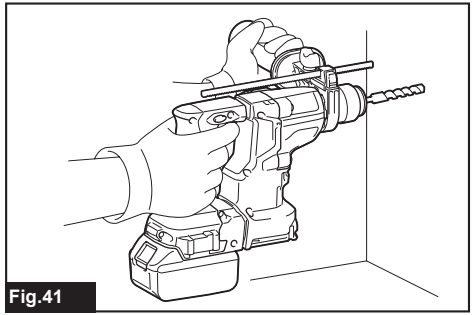


Fig.41

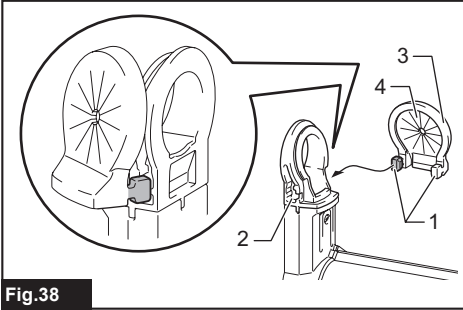


Fig.38

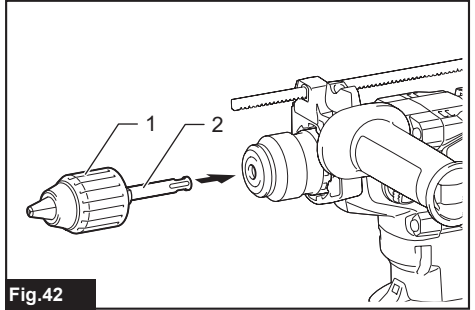


Fig.42

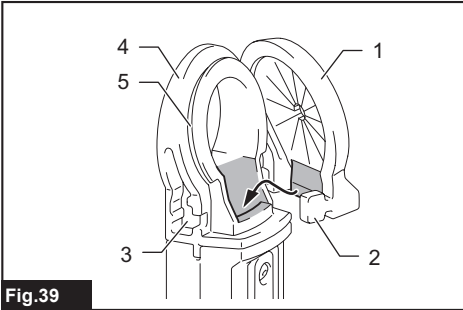


Fig.39

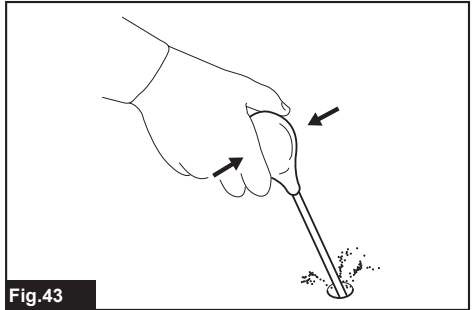


Fig.43

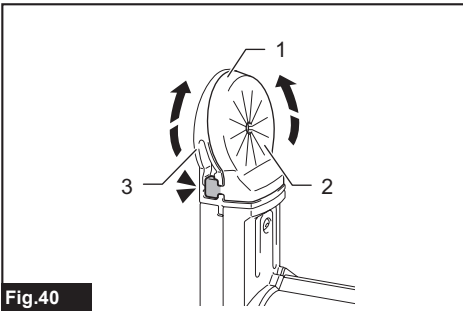


Fig.40

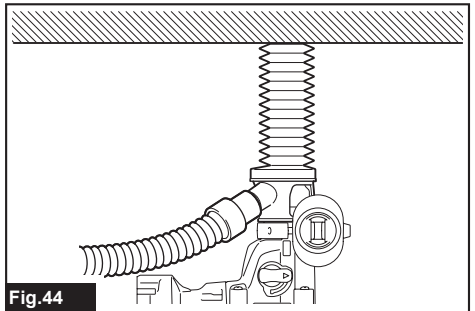


Fig.44

## SPECIFICATIONS

<b>Model:</b>		<b>DHR183</b>
Drilling capacities	Concrete	18 mm
	Steel	13 mm
	Wood	24 mm
No load speed		0 - 1,100 min <sup>-1</sup>
Blows per minute		0 - 5,000 min <sup>-1</sup>
Overall length (with BL1860B)		288 mm
Rated voltage		D.C. 18 V
Net weight		2.1 - 2.9 kg

### Optional accessory

<b>Model:</b>		<b>DX16</b>
Suction performance		0.24 l/min
Operating stroke		Up to 105 mm
Suitable drill bit		Up to 165 mm
Net weight		0.77 kg

- Due to our continuing program of research and development, the specifications herein are subject to change without notice.
- Specifications may differ from country to country.
- The weight may differ depending on the attachment(s), including the battery cartridge. The lightest and heaviest combinations, according to EPTA-Procedure 01/2014, are shown in the table.

### Applicable battery cartridge and charger

Battery cartridge	BL1815N / BL1820B / BL1830B / BL1840B / BL1850B / BL1860B
Charger	DC18RC / DC18RD / DC18RE / DC18SD / DC18SE / DC18SF / DC18SH / DC18WC

- Some of the battery cartridges and chargers listed above may not be available depending on your region of residence.

**⚠WARNING:** Only use the battery cartridges and chargers listed above. Use of any other battery cartridges and chargers may cause injury and/or fire.

### Recommended cord connected power source

Portable power pack	PDC01
---------------------	-------

- The cord connected power source(s) listed above may not be available depending on your region of residence.
- Before using the cord connected power source, read instruction and cautionary markings on them.

### Intended use

The tool is intended for hammer drilling and drilling in brick, concrete and stone.

It is also suitable for drilling without impact in wood, metal, ceramic and plastic.

### Noise

The typical A-weighted noise level determined according to EN62841-2-6:

#### Model DHR183

Sound pressure level ( $L_{pA}$ ) : 90 dB (A)

Sound power level ( $L_{WA}$ ) : 101 dB (A)

Uncertainty (K) : 3 dB (A)

#### Model DHR183 with DX16

Sound pressure level ( $L_{pA}$ ) : 90 dB(A)

Sound power level ( $L_{WA}$ ) : 101 dB (A)

Uncertainty (K) : 3 dB(A)

**NOTE:** The declared noise emission value(s) has been measured in accordance with a standard test method and may be used for comparing one tool with another.

**NOTE:** The declared noise emission value(s) may also be used in a preliminary assessment of exposure.



**⚠ WARNING:** Wear ear protection.

**⚠ WARNING:** The noise emission during actual use of the power tool can differ from the declared value(s) depending on the ways in which the tool is used especially what kind of workpiece is processed.

**⚠ WARNING:** Be sure to identify safety measures to protect the operator that are based on an estimation of exposure in the actual conditions of use (taking account of all parts of the operating cycle such as the times when the tool is switched off and when it is running idle in addition to the trigger time).

## Vibration

The following table shows the vibration total value (tri-axial vector sum) determined according to applicable standard.

Work mode	Vibration emission	Uncertainty (K)	Applicable standard / Test condition
Hammer drilling into concrete (a <sub>h</sub> , H <sub>D</sub> )	7.5 m/s <sup>2</sup>	1.5 m/s <sup>2</sup>	EN62841-2-6
	7.5 m/s <sup>2</sup>	1.5 m/s <sup>2</sup>	Recommended practical operation*
Hammer drilling into concrete with DX16 (a <sub>h</sub> , H <sub>D</sub> )	7.6 m/s <sup>2</sup>	1.7 m/s <sup>2</sup>	EN62841-2-6
	7.7 m/s <sup>2</sup>	1.5 m/s <sup>2</sup>	Recommended practical operation*

\* The test condition of recommended practical operation meets EN 62841-2-6, except for the following points:

- Feed force is applied to the switch handle (main handle) for working accuracy and efficiency.
- The side grip/handle (auxiliary handle) is held to keep balance of the tool.

**NOTE:** The declared vibration total value(s) has been measured in accordance with a standard test method and may be used for comparing one tool with another.

**NOTE:** The declared vibration total value(s) may also be used in a preliminary assessment of exposure.

**⚠ WARNING:** The vibration emission during actual use of the power tool can differ from the declared value(s) depending on the ways in which the tool is used especially what kind of workpiece is processed.

**⚠ WARNING:** Be sure to identify safety measures to protect the operator that are based on an estimation of exposure in the actual conditions of use (taking account of all parts of the operating cycle such as the times when the tool is switched off and when it is running idle in addition to the trigger time).

## Declarations of Conformity

### For European countries only

The Declarations of conformity are included in Annex A to this instruction manual.

# SAFETY WARNINGS

## General power tool safety warnings

**⚠ WARNING** Read all safety warnings, instructions, illustrations and specifications provided with this power tool. Failure to follow all instructions listed below may result in electric shock, fire and/or serious injury.

## Save all warnings and instructions for future reference.

The term "power tool" in the warnings refers to your mains-operated (corded) power tool or battery-operated (cordless) power tool.

## CORDLESS ROTARY HAMMER SAFETY WARNINGS

### Safety instructions for all operations

1. **Wear ear protectors.** Exposure to noise can cause hearing loss.
2. **Use auxiliary handle(s), if supplied with the tool.** Loss of control can cause personal injury.
3. **Hold the power tool by insulated gripping surfaces, when performing an operation where the cutting accessory may contact hidden wiring.** Cutting accessory contacting a "live" wire may make exposed metal parts of the power tool "live" and could give the operator an electric shock.

### Safety instructions when using long drill bits with rotary hammers

1. **Always start drilling at low speed and with the bit tip in contact with the workpiece.** At higher speeds, the bit is likely to bend if allowed to rotate freely without contacting the workpiece, resulting in personal injury.
2. **Apply pressure only in direct line with the bit and do not apply excessive pressure.** Bits can bend, causing breakage or loss of control, resulting in personal injury.

### Additional safety warnings

1. **Wear a hard hat (safety helmet), safety glasses and/or face shield.** Ordinary eye or sun glasses are NOT safety glasses. It is also highly recommended that you wear a dust mask and thickly padded gloves.
2. **Be sure the bit is secured in place before operation.**
3. **Under normal operation, the tool is designed to produce vibration.** The screws can come loose easily, causing a breakdown or accident. Check tightness of screws carefully before operation.
4. **In cold weather or when the tool has not been used for a long time, let the tool warm up for a while by operating it under no load.** This will loosen up the lubrication. Without proper warm-up, hammering operation is difficult.
5. **Always be sure you have a firm footing.** Be sure no one is below when using the tool in high locations.

6. Hold the tool firmly with both hands.
  7. Keep hands away from moving parts.
  8. Do not leave the tool running. Operate the tool only when hand-held.
  9. Do not point the tool at any one in the area when operating. The bit could fly out and injure someone seriously.
  10. Do not touch the bit, parts close to the bit, or workpiece immediately after operation; they may be extremely hot and could burn your skin.
  11. Some material contains chemicals which may be toxic. Take caution to prevent dust inhalation and skin contact. Follow material supplier safety data.
  12. Always be sure that the tool is switched off and the battery cartridge and the bit are removed before handing the tool to other person.
  13. Before operation, make sure that there is no buried object such as electric pipe, water pipe or gas pipe in the working area. Otherwise, the drill bit/chisel may touch them, resulting an electric shock, electrical leakage or gas leak.
  14. Do not operate the tool at no-load unnecessarily.
6. Do not store and use the tool and battery cartridge in locations where the temperature may reach or exceed 50 °C (122 °F).
  7. Do not incinerate the battery cartridge even if it is severely damaged or is completely worn out. The battery cartridge can explode in a fire.
  8. Do not nail, cut, crush, throw, drop the battery cartridge, or hit against a hard object to the battery cartridge. Such conduct may result in a fire, excessive heat, or explosion.
  9. Do not use a damaged battery.
  10. The contained lithium-ion batteries are subject to the Dangerous Goods Legislation requirements.  
For commercial transports e.g. by third parties, forwarding agents, special requirement on packaging and labeling must be observed.  
For preparation of the item being shipped, consulting an expert for hazardous material is required. Please also observe possibly more detailed national regulations.  
Tape or mask off open contacts and pack up the battery in such a manner that it cannot move around in the packaging.
  11. When disposing the battery cartridge, remove it from the tool and dispose of it in a safe place. Follow your local regulations relating to disposal of battery.
  12. Use the batteries only with the products specified by Makita. Installing the batteries to non-compliant products may result in a fire, excessive heat, explosion, or leak of electrolyte.
  13. If the tool is not used for a long period of time, the battery must be removed from the tool.
  14. During and after use, the battery cartridge may take on heat which can cause burns or low temperature burns. Pay attention to the handling of hot battery cartridges.
  15. Do not touch the terminal of the tool immediately after use as it may get hot enough to cause burns.
  16. Do not allow chips, dust, or soil stuck into the terminals, holes, and grooves of the battery cartridge. It may cause heating, catching fire, burst and malfunction of the tool or battery cartridge, resulting in burns or personal injury.
  17. Unless the tool supports the use near high-voltage electrical power lines, do not use the battery cartridge near high-voltage electrical power lines. It may result in a malfunction or breakdown of the tool or battery cartridge.
  18. Keep the battery away from children.

## SAVE THESE INSTRUCTIONS.

**⚠ WARNING:** DO NOT let comfort or familiarity with product (gained from repeated use) replace strict adherence to safety rules for the subject product. MISUSE or failure to follow the safety rules stated in this instruction manual may cause serious personal injury.

### Important safety instructions for battery cartridge

1. Before using battery cartridge, read all instructions and cautionary markings on (1) battery charger, (2) battery, and (3) product using battery.
2. Do not disassemble or tamper with the battery cartridge. It may result in a fire, excessive heat, or explosion.
3. If operating time has become excessively shorter, stop operating immediately. It may result in a risk of overheating, possible burns and even an explosion.
4. If electrolyte gets into your eyes, rinse them out with clear water and seek medical attention right away. It may result in loss of your eyesight.
5. Do not short the battery cartridge:
  - (1) Do not touch the terminals with any conductive material.
  - (2) Avoid storing battery cartridge in a container with other metal objects such as nails, coins, etc.
  - (3) Do not expose battery cartridge to water or rain.

A battery short can cause a large current flow, overheating, possible burns and even a breakdown.

## SAVE THESE INSTRUCTIONS.

**⚠ CAUTION:** Only use genuine Makita batteries. Use of non-genuine Makita batteries, or batteries that have been altered, may result in the battery bursting causing fires, personal injury and damage. It will also void the Makita warranty for the Makita tool and charger.

## Tips for maintaining maximum battery life

1. Charge the battery cartridge before completely discharged. Always stop tool operation and charge the battery cartridge when you notice less tool power.
2. Never recharge a fully charged battery cartridge. Overcharging shortens the battery service life.
3. Charge the battery cartridge with room temperature at 10 °C - 40 °C (50 °F - 104 °F). Let a hot battery cartridge cool down before charging it.
4. When not using the battery cartridge, remove it from the tool or the charger.
5. Charge the battery cartridge if you do not use it for a long period (more than six months).

## FUNCTIONAL DESCRIPTION

**CAUTION:** Always be sure that the tool is switched off and the battery cartridge is removed before adjusting or checking function on the tool.

## Installing or removing battery cartridge

**CAUTION:** Always switch off the tool before installing or removing of the battery cartridge.

**CAUTION:** Hold the tool and the battery cartridge firmly when installing or removing battery cartridge. Failure to hold the tool and the battery cartridge firmly may cause them to slip off your hands and result in damage to the tool and battery cartridge and a personal injury.

To install the battery cartridge, align the tongue on the battery cartridge with the groove in the housing and slip it into place. Insert it all the way until it locks in place with a little click. If you can see the red indicator as shown in the figure, it is not locked completely.

To remove the battery cartridge, slide it from the tool while sliding the button on the front of the cartridge.

► **Fig. 1:** 1. Red indicator 2. Button 3. Battery cartridge

**CAUTION:** Always install the battery cartridge fully until the red indicator cannot be seen. If not, it may accidentally fall out of the tool, causing injury to you or someone around you.

**CAUTION:** Do not install the battery cartridge forcibly. If the cartridge does not slide in easily, it is not being inserted correctly.

## Indicating the remaining battery capacity

### Only for battery cartridges with the indicator

Press the check button on the battery cartridge to indicate the remaining battery capacity. The indicator lamps light up for a few seconds.

► **Fig. 2:** 1. Indicator lamps 2. Check button

Indicator lamps			Remaining capacity
Lighted	Off	Blinking	
■	■	■	75% to 100%
■	■	□	50% to 75%
■	□	□	25% to 50%
■	□	□	0% to 25%
▬	□	□	Charge the battery.
■	■	□	The battery may have malfunctioned.
□	□	■	

**NOTE:** Depending on the conditions of use and the ambient temperature, the indication may differ slightly from the actual capacity.

**NOTE:** The first (far left) indicator lamp will blink when the battery protection system works.

## Tool / battery protection system

The tool is equipped with a tool/battery protection system. This system automatically cuts off power to the motor to extend tool and battery life. The tool will automatically stop during operation if the tool or battery is placed under one of the following conditions:

### Overload protection

When the battery is operated in a manner that causes it to draw an abnormally high current, the tool automatically stops without any indication. In this situation, turn the tool off and stop the application that caused the tool to become overloaded. Then turn the tool on to restart.

### Overheat protection

When the tool or battery is overheated, the tool stops automatically. In this case, let the tool and battery cool before turning the tool on again.

**NOTE:** When the tool is overheated, the lamp blinks.

### Overdischarge protection

When the battery capacity is not enough, the tool stops automatically. In this case, remove the battery from the tool and charge the battery.

## Protections against other causes

Protection system is also designed for other causes that could damage the tool and allows the tool to stop automatically. Take all the following steps to clear the causes, when the tool has been brought to a temporary halt or stop in operation.

1. Turn the tool off, and then turn it on again to restart.
2. Charge the battery(ies) or replace it/them with recharged battery(ies).
3. Let the tool and battery(ies) cool down.

If no improvement can be found by restoring protection system, then contact your local Makita Service Center.

## Switch action

**⚠ WARNING:** Before installing the battery cartridge into the tool, always check to see that the switch trigger actuates properly and returns to the "OFF" position when released.

To start the tool, simply pull the switch trigger. Tool speed is increased by increasing pressure on the switch trigger. Release the switch trigger to stop.

► Fig.3: 1. Switch trigger

## Lighting up the front lamp

**⚠ CAUTION:** Do not look in the light or see the source of light directly.

Pull the switch trigger to light up the lamp. The lamp keeps on lighting while the switch trigger is being pulled. The lamp goes out approximately 10 seconds after releasing the switch trigger.

► Fig.4: 1. Lamp

**NOTE:** Use a dry cloth to wipe the dirt off the lens of the lamp. Be careful not to scratch the lens of lamp, or it may lower the illumination.

**NOTE:** When the tool is overheated, the lamp flashes. In this case, release the switch trigger and then cool down the tool/battery before operating again.

**NOTE:** The front lamp cannot be used while the dust collection system (optional accessory) is installed in the tool.

## Reversing switch action

**⚠ CAUTION:** Always check the direction of rotation before operation.

**⚠ CAUTION:** Use the reversing switch only after the tool comes to a complete stop. Changing the direction of rotation before the tool stops may damage the tool.

**⚠ CAUTION:** When not operating the tool, always set the reversing switch lever to the neutral position.

This tool has a reversing switch to change the direction of rotation. Depress the reversing switch lever from the A side for clockwise rotation or from the B side for counterclockwise rotation.

When the reversing switch lever is in the neutral position, the switch trigger cannot be pulled.


► Fig.5: 1. Reversing switch lever

## Selecting the action mode

**NOTICE:** Do not rotate the action mode changing knob when the tool is running. The tool will be damaged.

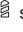
**NOTICE:** To avoid rapid wear on the mode change mechanism, be sure that the action mode changing knob is always positively located in one of the action mode positions.

## Rotation with hammering

For drilling in concrete, masonry, etc., rotate the action mode changing knob to the  symbol. Use a carbide-tipped drill bit.

► Fig.6: 1. Action mode changing knob

## Rotation only

For drilling in wood, metal or plastic materials, rotate the action mode changing knob to the  symbol. Use a twist drill bit or wood drill bit.

► Fig.7: 1. Action mode changing knob

## Electronic function

The tool is equipped with the electronic functions for easy operation.

- Electric brake  
This tool is equipped with an electric brake. If the tool consistently fails to quickly cease to function after the switch trigger is released, have the tool serviced at a Makita service center.
- Constant speed control  
The speed control function provides the constant rotation speed regardless of load conditions.

## ASSEMBLY

**⚠ CAUTION:** Always be sure that the tool is switched off and the battery cartridge is removed before carrying out any work on the tool.

## Side grip (auxiliary handle)

**⚠ CAUTION:** Always use the side grip to ensure safe operation.

**⚠ CAUTION:** After installing or adjusting the side grip, make sure that the side grip is firmly secured with the protrusions on the tool are fully engaged by the grooves on the side grip.

To install the side grip, follow the steps below.

1. Loosen the thumb screw on the side grip.

► Fig.8: 1. Thumb screw

2. Install the side grip so that the grooves on the grip fit in the protrusions on the tool while pressing the thumb screw.

► Fig.9: 1. Thumb screw

3. Tighten the thumb screw to secure the grip. The grip can be fixed at desired angle.

## Installing or removing drill bit

### Grease

Clean the shank end of the bit and apply grease before installing the bit.

Coat the shank end of the bit beforehand with a small amount of grease (about 0.5 - 1 g). This chuck lubrication assures smooth action and longer service life.

► **Fig.10:** 1. Shank end 2. Grease

Insert the drill bit into the tool. Turn the drill bit and push it in until it engages.

After installing the drill bit, always make sure that the drill bit is securely held in place by trying to pull it out.

► **Fig.11:** 1. Drill bit

To remove the drill bit, push the chuck cover down all the way and pull the drill bit out.

► **Fig.12:** 1. Drill bit 2. Chuck cover

## Depth gauge

The depth gauge is convenient for drilling holes of uniform depth.

Press and hold the lock button, and then insert the depth gauge into the hole. Make sure that the toothed side of the depth gauge faces the marking.

► **Fig.13:** 1. Depth gauge 2. Lock button 3. Marking 4. Toothed side

Adjust the depth gauge by moving it back and forth while pressing the lock button. After the adjustment, release the lock button to lock the depth gauge.

**NOTE:** Make sure that the depth gauge does not touch the main body of the tool when attaching it.

## Dust cup

### Optional accessory

Use the dust cup to prevent dust from falling over the tool and on yourself when performing overhead drilling operations. Attach the dust cup to the bit as shown in the figure. The size of bits which the dust cup can be attached to is as follows.

Model	Bit diameter
Dust cup 5	6 mm - 14,5 mm
Dust cup 9	12 mm - 16 mm

► **Fig.14:** 1. Dust cup

## Dust cup set

### Optional accessory

## Installing the dust cup set

**NOTICE:** Do not use the dust cup set when drilling in metal or similar. It may damage the dust cup set due to the heat produced by small metal dust or similar. Do not install or remove the dust cup set with the drill bit installed in the tool. It may damage the dust cup set and cause dust leak.

Before installing the dust cup set, remove the drill bit from the tool if installed.

1. Loosen the thumb screw on the side grip.
2. Install the dust cup set so that the claws of the dust cup fit in the slits on the side grip.

► **Fig.15:** 1. Dust cup set 2. Side grip

3. Install the side grip so that the groove on the grip fit in the protrusion on the tool. Tighten the thumb screw to secure the side grip.

► **Fig.16:** 1. Side grip 2. Groove 3. Protrusion

**NOTE:** If you connect a vacuum cleaner to the dust cup set, remove the dust cap before connecting it.

► **Fig.17:** 1. Dust cap

## Removing the drill bit

To remove the drill bit, pull the chuck cover down all the way and pull the drill bit out.

► **Fig.18:** 1. Drill bit 2. Chuck cover

## Removing the dust cup set

To remove the dust cup set, follow the steps below.

1. Loosen the thumb screw on the side grip. Remove the side grip from the tool.

► **Fig.19:** 1. Thumb screw

2. Hold the root of dust cup and pull it out.

**NOTE:** If it is difficult to remove the dust cup set, remove the claws of the dust cup one by one by swinging and pulling the root of the dust cup.

► **Fig.20:** 1. Dust cup

**NOTE:** If the cap comes off from the dust cup set, place it back to the original position.

To place the cap back to the original position, follow the steps below.

1. Turn the bellows counterclockwise and remove it from the dust cup set attachment unit while the bellows is unlocked.

► **Fig.21:** 1. Bellows 2. Attachment unit

2. Set the cap back in place with its lettered side facing upwards.

► **Fig.22:** 1. Cap 2. Attachment unit

3. Be sure that the grooves around the cap well fit in the lips of the upper opening of the attachment unit.

## Tool hanger

### Optional accessory

**CAUTION:** Do not use damaged tool hanger and screw. Before use, always check for damages, cracks or deformations, and make sure that the screw is tightened.

**CAUTION:** Install or remove the tool hanger on a stable table or surface. Be sure to use the screw provided with the tool hanger only. After installing the tool hanger, make sure that the tool hanger is securely installed with the screw.

**CAUTION:** Do not remove the battery cartridge while hanging the tool. The tool may fall if the screw is not tightened.

The tool hanger is intended for connecting the lanyard (tether strap).

Before installing the tool hanger, remove the rubber cap from the screw hole in the mounting bracket. Insert the square nut under the bracket. Tighten the tool hanger with screw in place.

► **Fig.23:** 1. Rubber cap 2. Mounting bracket  
3. Square nut 4. Tool hanger 5. Screw

## Safety warnings about connecting lanyard (tether strap) to the tool hanger

**SAFETY WARNINGS SPECIFIC FOR USE AT HEIGHT**  
Read all safety warnings and instructions. Failure to follow the warnings and instructions may result in serious injury.

1. Always keep the tool tethered when working "at height". Maximum lanyard length is 2 m. The maximum permissible fall height for lanyard (tether strap) must not exceed 2 m.
2. Use only with lanyards appropriate for this tool type and rated for at least 6.0 kg.
3. Do not anchor the tool lanyard to anything on your body or on movable components. Anchor the tool lanyard to a rigid structure that can withstand the forces of a dropped tool.
4. Make sure the lanyard is properly secured at each end prior to use.
5. Inspect the tool and lanyard before each use for damage and proper function (including fabric and stitching). Do not use if damaged or not functioning properly.
6. Do not wrap lanyards around or allow them to come in contact with sharp or rough edges.
7. Fasten the other end of the lanyard outside the working area so that a falling tool is held securely.
8. Attach the lanyard so that the tool will move away from the operator if it falls. Dropped tools will swing on the lanyard, which could cause injury or loss of balance.
9. Do not use near moving parts or running machinery. Failure to do so may result in a crush or entanglement hazard.

10. Do not carry the tool by the attachment device or the lanyard.
11. Only transfer the tool between your hands while you are properly balanced.
12. Do not attach lanyards to the tool in a way that keeps switches or trigger-lock (if supplied) from operating properly.
13. Avoid getting tangled in the lanyard.
14. Keep lanyard away from the drilling area of the tool.
15. Use a locking carabiner (multi-action and screw gate type). Do not use single action spring clip carabiners.
16. In the event the tool is dropped, it must be tagged and removed from service, and should be inspected by a Makita Factory or Authorized Service Center.
17. Do not hang the tool on your waist. Heated tool and its accessory may touch your skin and burn injury result.

► **Fig.24:** 1. Tool hanger 2. Lanyard (tether strap)

## DUST COLLECTION SYSTEM

### Optional accessory

The dust collection system is designed to collect dusts effectively when the concrete drilling operation.

► **Fig.25:** 1. Dust collection system

**CAUTION:** The dust collection system is intended for drilling in concrete only. Do not use the dust collection system for drilling in metal or wood.

**CAUTION:** When using the tool with the dust collection system, be sure to attach the filter to the dust collection system to prevent dust inhalation.

**CAUTION:** Before using the dust collection system, check that the filter is not damaged and the inner pipe is free of dust and foreign matter. Failure to do so may cause dust inhalation.

**CAUTION:** The dust collection system collects the generated dust at a considerable rate, but not all dust can be collected.

**NOTICE:** Do not use the dust collection system for core drilling or chiseling.

**NOTICE:** Do not use the dust collection system for metal or wood. The dust collection system is intended for concrete only.

**NOTICE:** Do not use the dust collection system for drilling in wet concrete or use this system in wet environment. Failure to do so may cause malfunction.

## Installing or removing

**NOTICE:** Before installing the dust collection system, clean the joint parts of the tool and the dust collection system. Foreign matters on the joint parts may cause it difficult to install the dust collection system. If any dust remains on the air duct, the dust comes into the tool and causes jam in the airflow or breakage of the tool.

To install the dust collection system, insert the tool completely into the dust collection system until the tool is locked in place with a little click.

► Fig.26

To remove the dust collection system, pull up the tool while pressing the lock-off button.

► Fig.27: 1. Lock-off button

## Adjusting nozzle position

**CAUTION:** Do not point the nozzle at yourself or others when releasing the nozzle by pushing the guide adjustment button.

Slide in and out the nozzle guide while pressing the guide adjustment button, and then release the button at an exact position where the tip of the drill bit sits just behind the front surface of the nozzle.

► Fig.28: 1. Nozzle guide 2. Guide adjustment button  
3. Tip of drill bit 4. Front surface of nozzle

## Adjusting drilling depths

Drilling depths can be adjusted by changing the lengths between the depth adjustment button and the support arm for nozzle guide. Press and hold the depth adjustment button and slide it to your desired position.

► Fig.29: 1. Depth adjustment button 2. Nozzle guide  
3. Support arm for nozzle guide 4. Drilling depths

## Beating dust on the filter

**CAUTION:** Do not turn the dial on the dust case while the dust case is removed from the dust collection system. Doing so may cause dust inhalation.

**CAUTION:** Always switch off the tool when turning the dial on the dust case. Turning the dial while the tool is running may result in the loss of control of the tool.

By beating the dust on the filter inside the dust case, you can keep the vacuum efficiency and also reduce the number of times to dispose of the dust.

Turn the dial on the dust case three times after collecting every 50,000 mm<sup>3</sup> of dust or when you feel the vacuum performance declined.

**NOTE:** 50,000 mm<sup>3</sup> of dust equivalents to drilling 10 holes of ø10 mm and 65 mm depth.

► Fig.30: 1. Dust case 2. Dial

## Disposing of dust

**CAUTION:** Always be sure that the tool is switched off and the battery cartridge is removed before carrying out any work on the tool.

**CAUTION:** Be sure to wear dust mask when disposing of dust.

**CAUTION:** Be sure that the tool is completely stopped when disposing of dust.

**CAUTION:** Empty the dust case regularly before the dust case becomes full. Failure to do so may decrease the dust collection performance and cause dust inhalation.

**CAUTION:** The performance of dust collection decreases if the filter in the dust case become clogged. Replace the filter with new one after approximately 200 times of dust fulfillment as a guide. Failure to do so may cause dust inhalation.

1. Remove the dust case while pressing down the lever of the dust case.

► Fig.31: 1. Lever

2. Open the cover of the dust case.

► Fig.32: 1. Cover

3. Dispose of the dust, and then clean the filter.

► Fig.33

**NOTICE:** When cleaning the filter, tap the case of the filter gently by hand to remove dust. Do not tap the filter directly; touch the filter with brush or similar; or blow compressed air on the filter. Doing so may damage the filter.

## Replacing filter of dust case

1. Remove the dust case while pressing down the lever of the dust case.

► Fig.34: 1. Lever

2. Open the filter cover of the dust case.

► Fig.35: 1. Filter cover

3. Remove the filter from the filter case.

► Fig.36: 1. Filter 2. Filter case

4. Attach a new filter to the filter case, and then attach the filter cover.

5. Close the cover of the dust case, and then attach the dust case to the dust collection system.

## Replacing sealing cap

1. Insert a flat-blade screwdriver into one of the grooves placed on the sides of the nozzle head. Tilt the flat-blade screwdriver at an angle to squeeze and pop the cube hook of the sealing cap out. Then peel the rubber edge of the sealing cap away from the rim of the nozzle head opening.

► Fig.37: 1. Sealing cap 2. Cube hook 3. Groove  
4. Nozzle head

2. Set one of cube hooks of a new sealing cap into the lower part of the groove in the nozzle head with a recessed surface of the sealing cap facing forward.

► Fig.38: 1. Cube hooks 2. Lower part of the groove  
3. Sealing cap 4. Recessed surface

3. Place the other hook into the opposite side, while repositioning the sealing cap to fit finely to the nozzle head.

► **Fig.39:** 1. Sealing cap 2. Cube hook 3. Lower part of the groove 4. Nozzle head 5. Rims

4. Gently lay the rubber edge of the sealing cap down over the rim of the nozzle head opening from bottom to top.

► **Fig.40:** 1. Rubber edge 2. Sealing cap 3. Nozzle head

## OPERATION

**CAUTION:** Always use the side grip (auxiliary handle) and firmly hold the tool by both side grip and switch handle during operations.

**CAUTION:** Always make sure that the workpiece is secured before operation.

**CAUTION:** Do not pull the tool out forcibly even the bit gets stuck. Loss of control may cause injury.


**NOTICE:** Before using the dust collection system with the tool, read the section about the dust collection system.

**NOTE:** If the battery cartridge is in low temperature, the tool's capability may not be fully obtained. In this case, warm up the battery cartridge by using the tool with no load for a while to fully obtain the tool's capability.

► **Fig.41**

## Hammer drilling operation

**CAUTION:** There is tremendous and sudden twisting force exerted on the tool/drill bit at the time of hole break-through, when the hole becomes clogged with chips and particles, or when striking reinforcing rods embedded in the concrete. **Always use the side grip (auxiliary handle) and firmly hold the tool by both side grip and switch handle during operations.** Failure to do so may result in the loss of control of the tool and potentially severe injury.

Set the action mode changing knob to the  symbol. Position the drill bit at the desired location for the hole, then pull the switch trigger.

Apply feed force to the switch handle (main handle) for working accuracy and efficiency, and hold the side grip (auxiliary handle) to keep balance of the tool. Keep the tool in position and prevent it from slipping away from the hole.

Do not apply more pressure when the hole becomes clogged with chips or particles. Instead, run the tool at an idle, then remove the drill bit partially from the hole. By repeating this several times, the hole will be cleaned out and normal drilling may be resumed.

**NOTE:** Eccentricity in the drill bit rotation may occur while operating the tool with no load. The tool automatically centers itself during operation. This does not affect the drilling precision.

## Drilling in wood or metal

**CAUTION:** Hold the tool firmly and exert care when the drill bit begins to break through the workpiece. There is a tremendous force exerted on the tool/drill bit at the time of hole break through.


**CAUTION:** A stuck drill bit can be removed simply by setting the reversing switch to reverse rotation in order to back out. However, the tool may back out abruptly if you do not hold it firmly.

**CAUTION:** Always secure workpieces in a vise or similar hold-down device.

**NOTICE:** Never use "rotation with hammering" when the drill chuck is installed on the tool. The drill chuck may be damaged.

Also, the drill chuck will come off when reversing the tool.

**NOTICE:** Pressing excessively on the tool will not speed up the drilling. In fact, this excessive pressure will only serve to damage the tip of your drill bit, decrease the tool performance and shorten the service life of the tool.

Set the action mode changing knob to the  symbol. Attach the chuck adapter to a keyless drill chuck to which 1/2"-20 size screw can be installed, and then install them to the tool. When installing it, refer to the section "Installing or removing drill bit".

► **Fig.42:** 1. Drill chuck assembly 2. Chuck adapter

## Blow-out bulb

### Optional accessory

After drilling the hole, use the blow-out bulb to clean the dust out of the hole.

► **Fig.43**

## Using dust cup set

### Optional accessory

Fit the dust cup set against the ceiling when operating the tool.

► **Fig.44**

**NOTICE:** Do not use the dust cup set when drilling in metal or similar. It may damage the dust cup set due to the heat produced by small metal dust or similar.

**NOTICE:** Do not install or remove the dust cup set with the drill bit installed in the tool. It may damage the dust cup set and cause dust leak.



# MAINTENANCE

**⚠ CAUTION:** Always be sure that the tool is switched off and the battery cartridge is removed before attempting to perform inspection or maintenance.

**NOTICE:** Never use gasoline, benzine, thinner, alcohol or the like. Discoloration, deformation or cracks may result.

To maintain product SAFETY and RELIABILITY, repairs, any other maintenance or adjustment should be performed by Makita Authorized or Factory Service Centers, always using Makita replacement parts.

# OPTIONAL ACCESSORIES

**⚠ CAUTION:** These accessories or attachments are recommended for use with your Makita tool specified in this manual. The use of any other accessories or attachments might present a risk of injury to persons. Only use accessory or attachment for its stated purpose.

If you need any assistance for more details regarding these accessories, ask your local Makita Service Center.

- Carbide-tipped drill bits (SDS-Plus carbide-tipped bits)
- Chuck adapter
- Keyless drill chuck
- Bit grease
- Depth gauge
- Blow-out bulb
- Dust cup
- Dust cup set
- Dust collection system
- Tool hanger
- Makita genuine battery and charger

**NOTE:** Some items in the list may be included in the tool package as standard accessories. They may differ from country to country.

## SPECIFIKATIONER

<b>Modell:</b>		<b>DHR183</b>
Borrkapaciteter	Cement	18 mm
	Stål	13 mm
	Trä	24 mm
Hastighet utan belastning		0 - 1 100 min <sup>-1</sup>
Slag per minut		0 - 5 000 min <sup>-1</sup>
Total längd (med BL1860B)		288 mm
Märkspänning		18 V likström
Nettovikt		2,1 - 2,9 kg

### Extra tillbehör

<b>Modell:</b>		<b>DX16</b>
Sugförmåga		0,24 l/min
Driftslag		Upp till 105 mm
Lämpligt borr		Upp till 165 mm
Nettovikt		0,77 kg

- På grund av vårt pågående program för forskning och utveckling kan dessa specifikationer ändras utan föregående meddelande.
- Specifikationer kan variera mellan olika länder.
- Vikten kan variera beroende på tillbehören, inklusive batterikassett. Den lättaste och den tyngsta kombinationen enligt EPTA-procedur 01/2014 visas i tabellen.

### Tillgänglig batterikassett och laddare

Batterikassett	BL1815N / BL1820B / BL1830B / BL1840B / BL1850B / BL1860B
Laddare	DC18RC / DC18RD / DC18RE / DC18SD / DC18SE / DC18SF / DC18SH / DC18WC

- Vissa av batterikassetterna och laddarna på listan ovan kanske inte finns tillgängliga i din region.

**⚠ VARNING: Använd endast batterikassetter och laddare från listan ovan.** Användning av andra batterikassetter och laddare kan orsaka personskada och/eller brand.

### Rekommenderad sladdansluten strömkälla

Bärbart strömpaket	PDC01
--------------------	-------

- De(n) sladdanslutna strömkällan/strömkällorna på listan ovan kanske inte finns tillgängliga i din region.
- Innan du använder den sladdanslutna strömkällan ska du läsa instruktionen och varningsmärkena på den.

### Avsedd användning

Maskinen är avsedd för slagborrning och borrning i tegel, betong och sten. Den är även lämpad för borrning utan slag i trä, metall, keramik och plast.

### Buller

Den normala bullernivån för A-belastning är bestämd enligt EN62841-2-6:

#### Modell DHR183

Ljudtrycksnivå ( $L_{pA}$ ): 90 dB (A)  
Ljudeffektnivå ( $L_{WA}$ ): 101 dB (A)  
Mättolerans (K): 3 dB (A)

#### Modell DHR183 med DX16

Ljudtrycksnivå ( $L_{pA}$ ): 90 dB (A)  
Ljudeffektnivå ( $L_{WA}$ ): 101 dB (A)  
Mättolerans (K): 3 dB (A)

**OBS:** Det deklarerade bullervärdet har uppmätts i enlighet med standardtestmetoden och kan användas för jämförandet av en maskin med en annan.

**OBS:** Det deklarerade bulleremissionsvärdet kan också användas i en preliminär bedömning av exponering för vibration.

**⚠ VARNING:** Använd hörselskydd.

**⚠ VARNING:** Bulleremissionen under faktisk användning av maskinen kan skilja sig från det deklarerade värdet, beroende på hur maskinen används och särskilt vilken typ av arbetsstycke som behandlas.

**⚠ VARNING:** Var noga med att identifiera säkerhetsåtgärder för att skydda användaren, vilka är grundade på en uppskattning av graden av exponering för vibrationer under de faktiska användningsförhållandena, (ta, förutom avtryckartiden, med alla delar av användarcykeln i beräkningen, som till exempel tiden då maskinen är avstängd och när den går på tomgång).

## Vibration

Följande tabell visar totalt vibrationsvärde (treaxlars vektorsumma) bestämd enligt tillämplig standard.

Arbetsläge	Vibrationsemission	Mättolerans (K)	Gällande standard/ testförhållande
Slagborring i betong ( $a_{rh, HD}$ )	7,5 m/s <sup>2</sup>	1,5 m/s <sup>2</sup>	EN62841-2-6
	7,5 m/s <sup>2</sup>	1,5 m/s <sup>2</sup>	Rekommenderad praktisk användning*
Slagborring i betong med DX16 ( $a_{rh, HD}$ )	7,6 m/s <sup>2</sup>	1,7 m/s <sup>2</sup>	EN62841-2-6
	7,7 m/s <sup>2</sup>	1,5 m/s <sup>2</sup>	Rekommenderad praktisk användning*

\* Testförhållandena för rekommenderad praktisk användning uppfyller EN 62841-2-6, med undantag för följande punkter:

- Matningskraft appliceras på avtryckarhandtaget (huvudhandtaget) för arbetsnoggrannhet och effektivitet.
- Sidogreppet/-handtaget (extrahandtag) hålls i för att balansera verktyget.

**OBS:** Det deklarerade totala vibrationsvärdet har uppmätts i enlighet med standardtestmetoden och kan användas för jämförandet av en maskin med en annan.

**OBS:** Det deklarerade totala vibrationsvärdet kan också användas i en preliminär bedömning av exponering för vibration.

**⚠ VARNING:** Vibrationsemissionen under faktisk användning av maskinen kan skilja sig från det deklarerade värdet, beroende på hur maskinen används och särskilt vilken typ av arbetsstycke som behandlas.

**⚠ VARNING:** Var noga med att identifiera säkerhetsåtgärder för att skydda användaren, vilka är grundade på en uppskattning av graden av exponering för vibrationer under de faktiska användningsförhållandena, (ta, förutom avtryckartiden, med alla delar av användarcykeln i beräkningen, som till exempel tiden då maskinen är avstängd och när den går på tomgång).

## Försäkran om överensstämmelse

*Gäller endast inom EU*

Försäkran om överensstämmelse ingår i bilaga A till denna bruksanvisning.

## SÄKERHETSVARNINGAR

### Allmänna säkerhetsvarningar för maskiner

**⚠ VARNING** Läs alla säkerhetsvarningar, instruktioner, illustrationer och specifikationer som medföljer detta elverktyg. Underlåtenhet att följa alla instruktioner nedan kan leda till elstötar, brand och/eller allvarliga personskador.

### Spara alla varningar och instruktioner för framtida referens.

Termen "maskin" som anges i varningarna hänvisar till din eldrivna maskin (sladdansluten) eller batteridrivna maskin (sladdlös).

## SÄKERHETSVARNINGAR FÖR BATTERIDRIVEN BORRHAMMARE

Säkerhetsinstruktioner för alla åtgärder

1. **Använd hörselskydd.** Kraftigt buller kan orsaka hörselskador.
2. **Använd extrahandtag om det levereras med maskinen.** Om du förlorar kontrollen över maskinen kan det leda till personskador.
3. **Håll verktyget i de isolerade handtagen om det finns risk för att skärtiltsatsen kan komma i kontakt med en dold elkabel.** Om skärtiltsatsen kommer i kontakt med en strömförande ledning blir verktygets metalldelar strömförande och kan ge operatören en elektrisk stöt.

Säkerhetsinstruktioner vid användning av långa borrarbiter med borrhammare

1. **Börja alltid borra med låg hastighet och med bitsspetsen i kontakt med arbetsstycket.** Vid högre hastigheter blir bitset förmodligen böjt om det får rotera fritt utan kontakt med arbetsstycket, vilket leder till personskada.
2. **Applicera endast tryck i en rak linje med bitset och tryck inte på för mycket.** Bits kan böja sig med följden att de går sönder eller att man tappar kontrollen vilket leder till personskada.

Ytterligare säkerhetsvarningar

1. **Använd en hård hjälm (skyddshjälm), skyddsglasögon och/eller ansiktsskydd.** Vanliga glasögon och solglasögon är INTE skyddsglasögon. Du bör också bära ett dammskydd och tjockt fodrade handskar.
2. **Se till att borret sitter säkert innan maskinen används.**
3. **Under normal användning vibrerar maskinen.** Skruvarna kan lätt lossna, vilket kan orsaka maskinhaveri eller en olycka. Kontrollera att skruvarna är åtdragna innan maskinen används.

4. I kall väderlek, eller när verktyget inte använts under en längre tid, bör du värma upp verktyget genom att använda det utan belastning. Detta gör smörjningen mer viskös. Utan uppvärmning blir det svårt att använda hammaren.
5. Se till att alltid ha ordentligt fotfäste. Se till att ingen står under dig när maskinen används på hög höjd.
6. Håll maskinen stadigt med båda händerna.
7. Håll händerna borta från rörliga delar.
8. Lämna inte maskinen igång. Använd endast maskinen när du håller den i händerna.
9. Rikta inte maskinen mot någon när den används. Borret kan flyga ut och skada någon allvarligt.
10. Rör inte vid borret, närliggande delar eller arbetsstycket efter användning, då de kan vara extremt varma och orsaka brännskador.
11. Vissa material kan innehålla giftiga kemikalier. Se till att du inte andas in damm eller får det på huden. Följ anvisningarna i leverantörens materialsäkerhetsblad.
12. Se alltid till att maskinen är avstängd och att batterikassetten och bitset är borttagna innan du ger maskinen till en annan person.
13. Se innan användning till att det inte finns några begravda föremål som elrör, vattenrör eller gasrör inom arbetsområdet. Annars kan borret/mejseln komma åt dem vilket kan leda till elektrisk stöt, läckströmmar eller gasläckor.
14. Använd inte maskinen obelastad i onödan.

## SPARA DESSA ANVISNINGAR.

**⚠VARNING:** GLÖM INTE att också fortsättningsvis strikt följa säkerhetsanvisningarna för maskinen även efter att du blivit van att använda den. Vid FELAKTIG HANTERING av maskinen eller om inte säkerhetsanvisningarna i denna bruksanvisning följs kan följden bli allvarliga personskador.

### Viktiga säkerhetsanvisningar för batterikassetten

1. Innan batterikassetten används ska alla instruktioner och varningsmärken på (1) batteriladdaren, (2) batteriet och (3) produkten läsas.
2. Montera inte isär eller mixtra med batterikassetten. Det kan leda till brand, överdriven värme eller explosion.
3. Om drifttiden blivit avsevärt kortare ska användningen avbrytas omedelbart. Det kan uppstå överhettning, brännskador och t o m en explosion.
4. Om du får elektrolyt i ögonen ska de sköljas med rent vatten och läkare uppsöks omedelbart. Det finns risk för att synen förloras.
5. Kortslut inte batterikassetten.
  - (1) Rör inte vid polerna med något strömförande material.
  - (2) Undvik att förvara batterikassetten tillsammans med andra metallobjekt som t.ex. spikar, mynt o.s.v.
  - (3) Skydda batteriet mot vatten och regn.

En batterikortslutning kan orsaka ett stort strömflöde, överhettning, brand och maskinhaveri.

6. Förvara och använd inte verktyget och batterikassetten på platser där temperaturen kan nå eller överstiga 50 °C.
7. Bränn inte upp batterikassetten även om den är svårt skadad eller helt utsliten. Batterikassetten kan explodera i öppen eld.
8. Spika inte i, krossa, kasta, tappa eller slå batterikassetten mot hårda föremål. Dylika handlingar kan leda till brand, överdriven värme eller explosion.
9. Använd inte ett skadat batteri.
10. De medföljande litiumjonbatterierna är föremål för kraven i gällande lagstiftning för farligt gods. För kommersiella transporter (av t.ex. tredje parter som speditiönsfirmor) måste de särskilda transportkrav som anges på emballaget och etiketter iakttas. För att förbereda den produkt som ska avsändas krävs att du konsulterar en expert på riskmaterial. Var också uppmärksam på att det i ditt land kan finnas ytterligare föreskrifter att följa. Tejpa över eller maskera blottade kontakter och packa batteriet på sådant sätt att det inte kan röra sig fritt i förpackningen.
11. När batterikassetten ska kasseras måste den tas bort från maskinen och kasseras på ett säkert sätt. Följ lokala föreskrifter beträffande avfallshandling av batteriet.
12. Använd endast batterierna med de produkter som specificerats av Makita. Att använda batterierna med ej godkända produkter kan leda till brand, överdriven värme, explosion eller utläckande elektrolyt.
13. Om maskinen inte används under en lång tid måste batteriet tas bort från maskinen.
14. Under och efter användning kan batterikassetten bli het vilket kan orsaka brännskador eller lättare brännskador. Var uppmärksam på hur du hanterar varma batterikassetter.
15. Vidrör inte verktygets kontakter direkt efter användning eftersom de kan bli heta och orsaka brännskador.
16. Låt inte flisor, damm eller smuts fastna i kontaktarna, i hål eller spår i batterikassetten. Det kan leda till att verktyget eller batterikassetten värms upp, fattar eld, går sönder eller inte fungerar som de ska, vilket kan orsaka brännskador eller personskador.
17. Såvida inte verktyget stöder arbeten i närheten av högspänningsledning för batterikassetten inte användas i närheten av en högspänningsledning. Det kan leda till att verktyget eller batterikassetten går sönder eller inte fungerar korrekt.
18. Förvara batteriet utom räckhåll för barn.

## SPARA DESSA ANVISNINGAR.

**⚠FÖRSIKTIGT:** Använda endast äkta Makita-batterier. Användning av oäkta Makita-batterier eller batterier som har manipulerats kan leda till person- och utrustningsskador eller till att batteriet fattar eld. Det upphäver också Makitas garanti för verktyget och laddaren.

## Tips för att uppnå batteriets maximala livslängd

1. Ladda batterikassetten innan den är helt urladdad. Stanna alltid maskinen och ladda batterikassetten när du märker att maskinen blir svagare.
2. Ladda aldrig en fulladdad batterikasset. Överladdning förkortar batteriets livslängd.
3. Ladda batterikassetten vid en rumstemperatur på 10 °C - 40 °C. Låt en varm batterikasset svalna innan den laddas.
4. När batterikassetten inte används ska den tas bort från verktyget eller laddaren.
5. Ladda batterikassetten om du inte har använt den på länge (mer än sex månader).

## FUNKTIONSBESKRIVNING

**⚠ FÖRSIKTIGT:** Se alltid till att maskinen är avstängd och batterikassetten borttagen innan du justerar maskinen eller kontrollerar dess funktioner.

### Montera eller demontera batterikassetten

**⚠ FÖRSIKTIGT:** Stäng alltid av maskinen innan du monterar eller tar bort batterikassetten.

**⚠ FÖRSIKTIGT:** Håll stadigt i maskinen och batterikassetten när du monterar eller tar bort batterikassetten. I annat fall kan det leda till att de glider ur dina händer och orsakar skada på maskinen och batterikassetten samt personskada.

Sätt in batterikassetten genom att rikta in tungan på batterikassetten mot spåret i höljet och skjut den på plats. Tryck in batterikassetten ordentligt tills den låser fast med ett klick. Om du kan se den röda indikatorn som bilden visar är den inte låst ordentligt.

Ta bort batterikassetten genom att skjuta ner knappen på kassetten framsida samtidigt som du drar ut batterikassetten.

► **Fig.1:** 1. Röd indikator 2. Knapp 3. Batterikasset

**⚠ FÖRSIKTIGT:** Sätt alltid in batterikassetten helt tills den röda indikatorn inte längre syns. I annat fall kan den oväntat falla ur verktyget och skada dig eller någon annan.

**⚠ FÖRSIKTIGT:** Monterar inte batterikassetten med våld. Om kassetten inte lätt glider på plats är den felinsatt.

## Indikerar kvarvarande batterikapacitet

### Endast för batterikassetter med indikator

Tryck på kontrollknappen på batterikassetten för att se kvarvarande batterikapacitet. Indikatorlamporna lyser i ett par sekunder.

► **Fig.2:** 1. Indikatorlampor 2. Kontrollknapp

Indikatorlampor			Kvarvarande kapacitet
■ Upplyst	□ Av	◐ Blikrar	
■ ■ ■ ■			75% till 100%
■ ■ ■ □			50% till 75%
■ ■ □ □			25% till 50%
■ □ □ □			0% till 25%
◐ □ □ □			Ladda batteriet.
■ ■ □ □			Batteriet kan ha skadats.
□ □ ■ ■			

**OBS:** Beroende på användningsförhållanden och den omgivande temperaturen kan indikationen skilja sig lätt från den faktiska batterikapaciteten.

**OBS:** Den första (längst till vänster) indikatorlampor kommer att blinka när batteriskyddssystemet fungerar.

## Skyddssystem för maskinen/batteriet

Verktyget är utrustat med ett skyddssystem för verktyget/batteriet. Detta system bryter automatiskt strömmen till motorn för att förlänga verktygets och batteriets livslängd. Verktyget stoppar automatiskt under användningen om verktyget eller batteriet hamnar i en av följande situationer:

### Överbelastningsskydd

Om batteriet används på ett sätt som gör att det drar onormalt mycket ström kan det stoppas automatiskt utan någon varning. När detta sker stänger du av verktyget och upphör med arbetet som gjorde att verktyget överbelastades. Starta därefter verktyget igen.

### Överhettningsskydd

När maskinen eller batteriet överhettas stoppas maskinen automatiskt. I sådant fall ska du låta maskinen och batteriet svalna innan du startar maskinen igen.

**OBS:** Lampan blinkar när maskinen är överhettad.

## Överurladdningsskydd

När batteriets kapacitet är otillräcklig stoppar maskinen automatiskt. I sådant fall ska batteriet tas ur maskinen och laddas.

## Skydd mot andra orsaker

Skyddssystemet är också utvecklat för att hantera andra orsaker som skulle kunna skada verktyget och tillåter verktyget att stanna automatiskt. Ta följande steg för att åtgärda felen när verktyget stannat temporärt eller helt.

1. Stäng av verktyget och starta sedan upp den igen för att starta om.
2. Laddning av batteriet/batterierna och ersätt dem med laddade batteri(er).
3. Låt verktyget och batteri(erna) svalna.

Om ingen förbättring kan hittas genom att återställa skyddssystemet, kontakta ditt lokala Makita Service Center.

## Avtryckarens funktion

**⚠ FÖRSIKTIG:** Innan du sätter i batterikassetten i maskinen ska du kontrollera att avtryckaren fungerar och återgår till läget "OFF" när du släpper den.

Tryck in avtryckaren för att starta verktyget. Hastigheten ökas genom att trycka hårdare på avtryckaren. Släpp avtryckaren för att stoppa maskinen.

► **Fig.3:** 1. Avtryckare

## Tända frontlampan

**⚠ FÖRSIKTIG:** Titta inte in i ljuset eller direkt i ljuskällan.

Tryck på avtryckaren för att tända lampan. Lampan fortsätter att lysa så länge du håller avtryckaren intryckt. Lampan slocknar ungefär 10 sekunder efter att du har släppt avtryckaren.

► **Fig.4:** 1. Lampa

**OBS:** Använd en torr trasa för att torka bort smuts från lampglaslet. Var försiktig så att inte lampglaslet repas eftersom ljuset då kan bli svagare.

**OBS:** Lampan blinkar när verktyget är överhettat. Släpp i så fall avtryckaren och låt sedan verktyget/batteriet svalna före fortsatt användning.

**OBS:** Frontlampan kan inte användas medan dammuppsamlingsystemet (valfritt tillbehör) är installerat i verktyget.

## Reverseringsspakens funktion

**⚠ FÖRSIKTIG:** Kontrollera alltid rotationsriktningen före användning.

**⚠ FÖRSIKTIG:** Använd endast reverseringsknappen när maskinen har stoppat helt. Maskinen kan skadas om du byter rotationsriktning medan den fortfarande roterar.

**⚠ FÖRSIKTIG:** Ställ alltid in reverseringsspaken i neutralt läge när du inte använder maskinen.

Denna maskin har en reverseringsknapp för byte av rotationsriktning. Tryck in reverseringsspaken från sida A för medurs rotation och från sida B för moturs rotation. När reverseringsspaken är i neutralt läge fungerar inte avtryckaren.


► **Fig.5:** 1. Reverseringsspak

## Välja arbetsläge

**OBSERVERA:** Använd inte arbetslägesreglaget när verktyget används. Verktyget kan skadas.

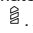
**OBSERVERA:** För att undvika snabbt slitage på mekanismen för ändring av läge ska du se till att reglaget för byte av arbetsläge alltid är i position för ett av arbetslägena.

## Slagborrning

Vrid reglaget för byte av arbetsläge till symbolen  för borring i betong, murbruk mm. Använd ett borr med karbidspets.

► **Fig.6:** 1. Spak för byte av arbetsläge

## Endast borring

Vid borring i trä, metall eller plastmaterial, vrid reglaget för byte av arbetsläge till symbolen . Använd borr för metall eller trä.

► **Fig.7:** 1. Spak för byte av arbetsläge

## Elektronisk funktion

Maskinen är utrustad med elektroniska funktioner för enkel användning.

- Elektronisk broms  
Detta verktyg är försedd med en elektronisk broms. Om verktyget inte stannar snabbt efter att avtryckaren släppts, behöver verktyget servas på ett Makita servicecenter.
- Konstant hastighetskontroll  
Hastighetskontrollfunktionen ger en konstant rotationshastighet oavsett belastningsförhållanden.

# MONTERING

**⚠ FÖRSIKTIGT:** Se alltid till att maskinen är avstängd och batterikassetten borttagen innan du underhåller maskinen.

## Sidohandtag (extrahandtag)

**⚠ FÖRSIKTIGT:** Använd alltid sidohandtaget för att garantera säker drift.

**⚠ FÖRSIKTIGT:** Efter installation eller justering av sidohandtaget ska du se till att sidohandtaget sitter stadigt fast med de utskjutande delarna på verktyget helt i ingrepp med skårorna på sidohandtaget.

Följ stegen nedan för att installera sidohandtaget.

1. Lossa tumskraven på sidohandtaget.

► **Fig.8:** 1. Tumskrav

2. Installera sidohandtaget så att skårorna i handtaget passar in med de utskjutande delarna på verktyget samtidigt som du trycker på tumskraven.

► **Fig.9:** 1. Tumskrav

3. Dra åt tumskraven för att fästa handtaget.

Handtaget kan fästas i önskad vinkel.

## Sätta i och ta ur borrarbits

### Fett

Rengör bitsets skaftände och applicera fett innan det installeras.

Täck bitsets skaftände på förhand med en aning smörjfett (cirka 0,5–1 g). Smörjningen ger smidig funktion och längre livslängd.

► **Fig.10:** 1. Skaftände 2. Fett

Sätt in borret i maskinen. Vrid borret och tryck in tills det låser fast.

Se efter montering av borret till att det sitter ordentligt fast genom att försöka dra ut det.

► **Fig.11:** 1. Borr

Ta ut borret genom att trycka ner chuckskyddet hela vägen och dra ut det.

► **Fig.12:** 1. Borr 2. Chuckhölje

## Djupmått

Djupmättet är praktiskt för att borra hål med samma djup.

Tryck och håll låsknappen och för sedan in djupmättet i hålet. Se till att djupmättets tandade sida är vänd mot markeringen.

► **Fig.13:** 1. Djupmått 2. Låsknapp 3. Markering  
4. Tandad sida

Justera djupmätaren genom att flytta den fram och tillbaka medan du trycker in låsknappen. Efter justeringen släpper du låsknappen för att låsa djupmätaren.

**OBS:** Se till att djupmätaren inte vidrör maskinkroppen när du monterar den.

## Dammuppsamlare

### Extra tillbehör

Använd dammuppsamlaren för att förhindra att damm faller över maskinen och dig själv när du borrar över huvudet. Sätt fast dammuppsamlaren enligt figuren. Följande borrarstorlekar kan användas med dammuppsamlaren.

Modell	Borrdiameter
Dammuppsamlare 5	6 mm - 14,5 mm
Dammuppsamlare 9	12 mm - 16 mm

► **Fig.14:** 1. Dammuppsamlare

## Dammuppsamlarsats

### Extra tillbehör

## Montera dammuppsamlarsats

**OBSERVERA:** Använd inte dammuppsamlare vid borring i metall eller liknande. Det kan skada dammuppsamlaren p.g.a. den värme som alstras av små metallspån eller liknande. Montera/demontera inte dammuppsamlaren med borret monterat i chucken. Det kan skada dammuppsamlarsatsen och leda till dammläckage.

Ta bort borret från verktyget (om monterat) innan du monterar dammuppsamlarsatsen.

1. Lossa tumskraven på sidohandtaget.

2. Montera dammuppsamlarsatsen så att dammuppsamlarens fingrar passar in i skårorna på sidohandtaget.

► **Fig.15:** 1. Dammuppsamlarsats 2. Sidohandtag

3. Montera sidohandtaget så att skåran i handtaget passar in med den utskjutande delen på verktyget. Dra åt tumskraven för att fästa sidohandtaget.

► **Fig.16:** 1. Sidohandtag 2. Skåra 3. Utskjutande del

**OBS:** Om du ansluter en dammsugare till dammuppsamlarsatsen måste du förs ta bort dammlocket.

► **Fig.17:** 1. Dammlock

## Ta bort borr

Ta ut borret genom att trycka ner chuckskyddet hela vägen och dra ut det.

► **Fig.18:** 1. Borr 2. Chuckhölje

## Ta bort dammuppsamlarsats

Följ stegen nedan för att ta bort dammuppsamlarsatsen.

1. Lossa tumskraven på sidohandtaget. Ta bort sidohandtaget från verktyget.

► **Fig.19:** 1. Tumskrav

2. Ta tag i dammuppsamlarens nederdel och dra ut den.

**OBS:** Om det är svårt att ta bort dammuppsamlarsatsen kan du ta bort dammuppsamlarens fingrar genom att svänga och dra i dammuppsamlarens undersida.

► **Fig.20:** 1. Dammuppsamlare

**OBS:** Om locket lossnar från dammuppsamlarsatsen sätter du tillbaka den i ursprungsläget.

Följ stegen nedan för att sätta tillbaka locket i ursprungsläget.

1. Vrid bälgen moturs och ta bort dem från dammuppsamlarsatsen (tillsatsenhet) när bälgen är uppläst.  
► **Fig.21:** 1. Bälgar 2. Tillsatsenhet
2. Sätt locket på plats igen med sidan med text vänd uppåt.  
► **Fig.22:** 1. Lock 2. Tillsatsenhet
3. Se till att skårorna runt locket passar väl in i kanterna på tillsatsenhetens övre öppning.

## Maskinkrok

### Extra tillbehör

**⚠ FÖRSIKTIGT:** Använd inte skadad maskinkrok och skruvar. Kontrollera alltid innan användning avseende skada, sprickor eller deformationer, och se till att skruven är åtdragen.

**⚠ FÖRSIKTIGT:** Montera eller ta bort maskinkroken på ett stabilt bord eller annat underlag. Se till att endast använda den medföljande skruven med maskinkroken. Efter montering av maskinkroken måste man se till att maskinkroken är korrekt monterad med skruven.

**⚠ FÖRSIKTIGT:** Ta inte bort batterikassetten när maskinen hänger. Maskinen kan falla om inte skruven är åtdragen.

Maskinkroken är avsedd för anslutning av repet (fästrem).

Innan maskinkroken installeras tar du bort gummiproppen från skruvhålet i monteringsfästet. Sätt i fyrkantsmuttern under fästet. Dra åt maskinkroken med skruven så att den sitter på plats.

- **Fig.23:** 1. Gummipropp 2. Monteringsfäste  
3. Fyrkantsmutter 4. Maskinkrok 5. Skruv

## Säkerhetsvarningar om anslutning av rep (fästrem) på maskinkroken

**⚠ Särskilda säkerhetsvarningar för användning på hög höjd**

Läs igenom alla säkerhetsvarningar och anvisningar. Om varningarna och anvisningarna inte följs kan det leda till allvarliga personskador.

1. Ha alltid verktyget fastbundet när du arbetar på hög höjd. Max längd för repet är 2 m. Maximal tillåten fallhöjd för rep (fästrem) får inte överstiga 2 m.
2. Används endast med rep som är lämpliga för denna maskintyp och klassade för minst 6,0 kg.
3. Fäst inte maskinrepet någonstans på kroppen eller på rörliga komponenter. Förankra maskinrepet i en stabil struktur som klarar kraften i ett fallande verktyg.
4. Se till att repet är ordentligt säkrat i båda ändarna före användning.

5. Inspektera maskinen och repet före varje användning för att kontrollera skador och korrekt funktion (inklusive tyg och sömmar). Använd det inte om det är skadat eller inte fungerar ordentligt.
6. Linda inte rep runt vassa eller grova kanter och låt dem inte komma i kontakt med dessa.
7. Fäst den andra änden på repet utanför arbetsområdet, så att en fallande maskin hålls säkert fast.
8. Fäst repet så att maskinen rör sig bort från operatören om den faller. Maskiner som ramlar gungar i repet, vilket kan orsaka skada eller förlorad balans.
9. Används inte nära rörliga delar eller maskineri som är igång. Det kan leda till risk för krosskador eller intrassling.
10. Bär inte maskinen i fästnanordningen eller i repet.
11. Flytta över maskinen mellan händerna endast när du har ordentlig balans.
12. Fäst inte rep vid maskinen på ett sådant sätt att knappar eller startspärren (om de finns) inte fungerar ordentligt.
13. Undvik att bli intrasslad i repet.
14. Håll repet borta från maskinens borrområde.
15. Använd en låskarbinhake (flerfunktions- och skruvtyp). Använd inte enkelfunktionskarbinfästen med fjäderklämma.
16. Om maskinen tappas måste den märkas ut och tas ur bruk, och inspekteras av en Makita-fabrik eller auktoriserat servicecenter.
17. Häng inte verktyget på midjan. Uppvärmda verktyg och dess tillbehör kan vidröra din hud och orsaka brännskador.

- **Fig.24:** 1. Maskinkrok 2. Rep (fästrem)

## DAMMUPPSAMLINGSSYSTEM

### Extra tillbehör

Dammuppsamlingssystemet är utformat för att samla upp damm effektivt vid arbete med borring i betong.

- **Fig.25:** 1. Dammuppsamlingssystem

**⚠ FÖRSIKTIGT:** Dammuppsamlingssystemet är endast avsett för borring i betong. Använd inte dammuppsamlingssystemet vid borring i metall eller trä.

**⚠ FÖRSIKTIGT:** När du använder maskinen med dammuppsamlingssystemet måste du se till att montera filtret till dammuppsamlingssystemet för att förhindra att du andas in damm.

**⚠ FÖRSIKTIGT:** Kontrollera att filtret inte är skadat och att innerröret är fritt från damm och främmande material innan du använder dammuppsamlingssystemet. Underlåtenhet att göra det kan orsaka inandning av damm.

**⚠ FÖRSIKTIGT:** Dammuppsamlingssystemet samlar in det damm som skapas i stor utsträckning, men allt damm kan inte samlas in.



**OBSERVERA:** Använd inte dammuppsamlingsystemet vid borring med krona eller vid mejsling.

**OBSERVERA:** Använd inte dammuppsamlingsystemet till metall eller trä. Dammuppsamlingsystemet är endast avsett för betong.

**OBSERVERA:** Använd inte dammuppsamlingsystemet vid borring i våt betong eller använd det i fuktiga miljöer. Detta kan leda till felfunktion.

## Montering eller borttagning

**OBSERVERA:** Innan du monterar dammuppsamlingsystemet ska du rengöra verktygets och dammuppsamlingsystemets fogdelar.

Frammande material på fogdelarna kan göra det svårt att montera dammuppsamlingsystemet. Om det finns damm kvar på luftkanalen, kommer dammet in i verktyget och orsakar stopp i luftflödet eller gör att verktyget går sönder.

Montera dammuppsamlingsystemet genom att trycka in verktyget hela vägen in i dammuppsamlingsystemet tills det låses fast med ett litet klick.

► Fig.26

Ta bort dammuppsamlingsystemet genom att dra upp verktyget samtidigt som du trycker in startspärren.

► Fig.27: 1. Startspär

## Inställning av munstyckets läge på dammuppsamlarsystemet

**FÖRSIKTIGT:** Rikta inte munstycket mot dig själv eller andra när du lossar munstycket genom att trycka på guideinställningsknappen.

Skjut in och ut munstycksguiden samtidigt som du trycker på guideinställningsknappen, och släpp sedan knappen i den exakta position där spetsen på borret sitter precis bakom munstyckets frontyta.

► Fig.28: 1. Guide 2. Guideinställningsknapp 3. Borrets spets 4. Munstyckets frontyta

## Inställning av borrdjup

Borrdjupet kan justeras genom att man ändrar längderna mellan djupinställningsknappen och stödarmen för munstycksguiden. Tryck och håll in djupinställningsknappen och skjut den till det läge du önskar.

► Fig.29: 1. Djupinställningsknapp 2. Munstycksguide 3. Stödarm för munstycksguide 4. Borrdjup

## Banka av damm från filtret

**FÖRSIKTIGT:** Vrid inte vredet på dammbehållaren medan dammbehållaren är borttagen från dammuppsamlingsystemet. Om du gör så kan du andas in damm.

**FÖRSIKTIGT:** Stång alltid av verktyget när du vrider på dammbehållarens ratt. Om man vrider på ratten när verktyget körs kan resultera i förlust av kontroll över verktyget.

Genom att banka av dammet från filtret inne i dammhöljet kan du behålla sugeffektiviteten och även minska antalet gånger som damm måste kastas.

Vrid på ratten på dammhöljet tre gånger efter varje 50 000 mm<sup>3</sup> damm eller när du märker att sugprestandan försämrats.

**OBS:** 50 000 mm<sup>3</sup> damm motsvarar borring av 10 hål på  $\varnothing$ 10 mm med ett djup på 65 mm.

► Fig.30: 1. Dammhölje 2. Ratt

## Borttagning av damm

**FÖRSIKTIGT:** Se alltid till att maskinen är avstängd och batterikassetten borttagen innan du underhåller maskinen.

**FÖRSIKTIGT:** Se till att använda andningsmask när du slänger damm.

**FÖRSIKTIGT:** Se till att verktyget har stannat helt när du slänger damm.

**FÖRSIKTIGT:** Töm dammbehållaren regelbundet innan den blir full. Om du inte gör det blir dammuppsamlarens prestanda sämre och leder till inhalation av damm.

**FÖRSIKTIGT:** Dammuppsamlarens prestanda blir sämre om filtret i dammbehållaren är igensatt. Byt som regel filter efter ungefär 200 dammuppsamlingscykler. I annat fall kan du andas in damm.

1. Ta bort dammbehållaren samtidigt som du trycker ner spaken på dammbehållaren.

► Fig.31: 1. Spär

2. Öppna locket på dammbehållaren.

► Fig.32: 1. Lock

3. Släng dammet och gör rent filtret.

► Fig.33

**OBSERVERA:** Knacka lätt på filterhuset med handen för att avlägsna damm när filtret görs rent. Knacka inte direkt på filtret, vidrör det inte med en borste eller liknande, eller blås på det med tryckluft. Att göra detta kan skada filtret.

## Byta filter i dammbehållaren

1. Ta bort dammbehållaren samtidigt som du trycker ner spaken på dammbehållaren.  
► **Fig.34:** 1. Spärr
2. Öppna filterlocket på dammbehållaren.  
► **Fig.35:** 1. Filterlock
3. Ta bort filtret från filterhöljet.  
► **Fig.36:** 1. Filter 2. Filterhölje
4. Fäst ett nytt filter till filterhöljet och fäst sedan filterlocket.
5. Stäng dammbehållarens hölje och fäst det sedan i dammuppsamlarsystemet.

## Byta ut tätningslocket

1. Sätt in en platt skruvmejsel i en av skåroarna på sidorna av munstyckshuvudet. Luta den platta skruvmejseln med en vinkel så att det går att klämma och trycka ut tätningslockets kubkrok. Skala sedan av tätningslockets gummikant från kanten på munstyckshuvudets öppning.  
► **Fig.37:** 1. Tätningslock 2. Kubkrok 3. Skåra 4. Munstyckshuvud
2. Sätt in en av kubkrokarna på det nya tätningslocket i den nedre delen av skåran i munstyckshuvudet, med den försänkta ytan på tätningslocket vänd framåt.  
► **Fig.38:** 1. Kubkrokar 2. Nedre del av skåra 3. Tätningslock 4. Försänkt yta
3. Placera den andra kroken på motsatt sida, samtidigt som du placerar ut tätningslocket så det ligger an ordentligt mot munstyckshuvudet.  
► **Fig.39:** 1. Tätningslock 2. Kubkrok 3. Nedre del av skåra 4. Munstyckshuvud 5. Kanter
4. Lägg försiktigt ner tätningslockets gummikant över kanten på munstyckshuvudets öppning uppför och ner.  
► **Fig.40:** 1. Gummikant 2. Tätningslock 3. Munstyckshuvud

## ANVÄNDNING

**⚠FÖRSIKTIGT:** Använd alltid sidohandtaget (extrahandtaget) och håll maskinen stadigt med både sidohandtaget och pistolhandtaget när du borrar.

**⚠FÖRSIKTIGT:** Se alltid till att arbetsstycket sitter ordentligt fast innan användning.

**⚠FÖRSIKTIGT:** Dra inte ut maskinen med kraft även om bitset fastnar. Om du förlorar kontrollen över maskinen kan det leda till personskador.


**OBSERVERA:** Innan dammuppsamlingsystemet används med verktyget, läs avsnittet om dammuppsamlingsystemet.

**OBS:** Om batterikassetten används vid låga temperaturer kan inte maskinens fulla kapacitet uppnås. Om så är fallet, värm upp batterikassetten genom att använda maskinen en stund utan belastning för att erhålla maskinens fulla kapacitet.

► **Fig.41**

## Slagborrning

**⚠FÖRSIKTIGT:** Maskinen/borrbitset utsätts för en plötslig och oerhört stor vridande kraft vid hålgenomslaget, när hålet fylls av spån och partiklar eller när du slår ner förstärkningar i cement. **Använd alltid sidohandtaget (extrahandtaget) och håll maskinen stadigt med både sidohandtaget och pistolhandtaget när du borrar.** I annat fall är det lätt hänt att du förlorar kontrollen över maskinen, och allvarliga personskador kan då uppstå.

Ställ vredet för byte av arbetsläge till symbolen . Placera borrbitset där hålet ska vara och tryck sedan in avtryckaren.

Applicera matningskraft på avtryckarhandtaget (huvudhandtaget) för arbetsnoggrannhet och effektivitet, och håll i sidogreppet (extrahandtaget) för att balansera verktyget.

Håll verktyget på plats och hindra det från att glida iväg från hålet.

Tryck inte hårdare när hålet fylls med spån eller partiklar. Kör istället maskinen på tomgång, och ta sedan delvis ut borret ur hålet. Genom att upprepa detta flera gånger rensas hålet och normal borrning kan återupptas.

**OBS:** Ojämn rotation av borret kan förekomma om maskinen körs utan belastning. Maskinen centrerar sig automatiskt under arbetet. Detta påverkar inte borrningens noggrannhet.

## Borrning i trä eller metall

**⚠FÖRSIKTIGT:** Håll ett stadigt tag i maskinen och var försiktig när borret börjar tränga igenom arbetsstycket. Det utvecklas en enorm kraft på maskinen/borret vid hålgenomslaget.


**⚠FÖRSIKTIGT:** Ett borr som fastnat kan enkelt backas ur genom att reversera borrningens rotationsriktning. Maskinen kan dock plötsligt backa ut om du inte håller i den ordentligt.

**⚠FÖRSIKTIGT:** Fäst alltid arbetsstycken i ett stad eller liknande fasthållningsanordningar.

**OBSERVERA:** Använd aldrig "slagborrning" när den vanliga borrhucken är monterad på maskinen. Borrhucken kan skadas.

Den kommer också att lossna om maskinen körs i reverseringsläge.

**OBSERVERA:** Borrningen går inte fortare för att du trycker hårdare på maskinen. Detta extra tryck skadar bara toppen på ditt borr, sänker maskinens prestanda och förkortar maskinens livslängd.

Ställ reglaget för byte av arbetsläge till symbolen . Fäst chuckadaptern till en nyckellös borrhuck i vilken en skruv med storlek 1/2"-20 kan monteras och montera dem därefter i maskinen. Se avsnittet "Sätta i och ta ur borr" vid montering.

► **Fig.42:** 1. Borrhucksats 2. Chuckadaptern

## Gummituta

### Extra tillbehör

Efter att hålet borrats klart används gummitutan för att blåsa rent hålet.

► Fig.43

- Dammuppsamlarsystem
- Maskinkrok
- Makitas originalbatteri och -laddare

**OBS:** Några av tillbehören i listan kan vara inkluderade i maskinpaketet som standardtillbehör. De kan variera mellan olika länder.

## Använda dammuppsamlarsatsen

### Extra tillbehör

Montera dammuppsamlarsatsen vänd mot taken när du använder maskinen.

► Fig.44

**OBSERVERA:** Använd inte dammuppsamlare vid borring i metall eller liknande. Det kan skada dammuppsamlaren p.g.a. den värme som alstras av små metallspån eller liknande.

**OBSERVERA:** Montera/demontera inte dammuppsamlaren med borret monterat i chucken. Det kan skada dammuppsamlarsatsen och leda till dammläckage.

## UNDERHÅLL

**⚠FÖRSIKTIGT:** Se alltid till att maskinen är avstängd och batterikassetten borttagen innan inspektion eller underhåll utförs.

**OBSERVERA:** Använd inte bensin, förtunningsmedel, alkohol eller liknande. Missfärgning, deformation eller sprickor kan uppstå.

För att upprätthålla produktens SÄKERHET och TILLFÖRLITLIGHET bör allt underhålls- och justeringsarbete utföras av ett auktoriserat Makita servicecenter och med reservdelar från Makita.

## VALFRIA TILLBEHÖR

**⚠FÖRSIKTIGT:** Följande tillbehör eller tillsatser rekommenderas för användning med den Makita-maskin som denna bruksanvisning avser. Om andra tillbehör eller tillsatser används kan det uppstå risk för personskador. Använd endast tillbehören eller tillsatserna för de syften de är avsedda för.

Kontakta ditt lokala Makita servicecenter om du behöver ytterligare information om dessa tillbehör.

- Borr med karbidspets (SDS-Plus-borr med karbidspets)
- Chuckadapter
- Nyckellös borrchuck
- Smörjfett för borr
- Djupmått
- Gummituta
- Dammuppsamlare
- Dammuppsamlarsats

## TEKNISKE DATA

<b>Modell:</b>		<b>DHR183</b>
Borekapasitet	Betong	18 mm
	Stål	13 mm
	Tre	24 mm
Hastighet uten belastning		0 - 1 100 min <sup>-1</sup>
Slag per minutt		0 - 5 000 min <sup>-1</sup>
Samlet lengde (med BL1860B)		288 mm
Nominell spenning		DC 18 V
Nettovekt		2,1 - 2,9 kg

### Valgfritt tilbehør

<b>Modell:</b>	<b>DX16</b>
Innsugingsytelse	0,24 l/min
Driftsslag	Opp til 105 mm
Egnet bor	Opp til 165 mm
Nettovekt	0,77 kg

- På grunn av vårt kontinuerlige forsknings- og utviklingsprogram kan spesifikasjonene som oppgis i dette dokumentet endres uten varsel.
- Spesifikasjonene kan variere fra land til land.
- Vekten kan variere avhengig av tilbehøret/tilbehørene, inkludert batteriet. Den letteste og tyngste kombinasjonen, i henhold til EPTA-prosedyre 01/2014, vises i tabellen.

### Passende batteri og lader

Batteriinnsett	BL1815N / BL1820B / BL1830B / BL1840B / BL1850B / BL1860B
Lader	DC18RC / DC18RD / DC18RE / DC18SD / DC18SE / DC18SF / DC18SH / DC18WC

- Noen av batteriene og laderne som er opplistet ovenfor er kanskje ikke tilgjengelige, avhengig av hvor du bor.

**⚠ ADVARSEL: Bruk kun de batteriene og laderne som er opplistet ovenfor.** Bruk av andre batterier og ladere kan føre til personskader og/eller brann.

### Anbefalt ledning koblet til strømkilde

Bærbar lader	PDC01
--------------	-------

- De(n) ledningstilkoblede strømkilde(n)e som er oppgitt ovenfor er kanskje ikke tilgjengelige, avhengig av hvor du bor.
- Før du bruker de ledningstilkoblede strømkildene, må du lese instruksjons- og forsiktighetsskilt på dem.

### Riktig bruk

Verktøyet er beregnet på hammerboring og boring i mur, betong og stein.

Det er også egnet for boring uten slag i tre, metall, keramikk og plast.

### Støy

Typisk A-vektet lydtrykknivå er bestemt i henhold til EN62841-2-6:

#### Modell DHR183

Lydtrykknivå ( $L_{pA}$ ): 90 dB (A)

Lydeffektnivå ( $L_{WA}$ ): 101 dB (A)

Usikkerhet (K): 3 dB (A)

#### Modell DHR183 med DX16

Lydtrykknivå ( $L_{pA}$ ): 90 dB (A)

Lydeffektnivå ( $L_{WA}$ ): 101 dB (A)

Usikkerhet (K): 3 dB (A)

**MERK:** Den/de oppgitte verdi(e) for genererte vibrasjoner har blitt målt i henhold til standard testmetoder, og kan bli brukt til å sammenligne ett verktøy med et annet.

**MERK:** Den/de angitte verdi(e) for de genererte vibrasjonene kan også brukes til en foreløpig vurdering av eksponeringen.

**⚠ ADVARSEL:** Bruk hørselsvern.

**⚠ ADVARSEL:** De genererte vibrasjonene ved faktisk bruk av elektroverktøyet kan avvike fra den/de angitte vibrasjonsverdien(e), avhengig av hvordan verktøyet brukes.

**⚠ ADVARSEL:** Sørg for å identifisere vernetiltak for å beskytte operatøren, som er basert på et estimat av eksponeringen under de faktiske bruksforholdene (idet det tas hensyn til alle deler av driftssyklusen, dvs. hvor lenge verktøyet er slått av, hvor lenge det går på tomgang og hvor lenge startbryteren faktisk holdes trykket).

## Vibrasjoner

Den følgende tabellen viser den totale vibrasjonsverdien (triaksial vektorsum) bestemt i henhold til gjeldende standard.

Arbeidsmodus	Avgitt vibrasjon	Usikkerhet (K)	Gjeldende standard / testforhold
Slagboring i betong (a <sub>H</sub> , HD)	7,5 m/s <sup>2</sup>	1,5 m/s <sup>2</sup>	EN62841-2-6
	7,5 m/s <sup>2</sup>	1,5 m/s <sup>2</sup>	Anbefalt praktisk bruk*
Slagboring i betong med DX16 (a <sub>H</sub> , HD)	7,6 m/s <sup>2</sup>	1,7 m/s <sup>2</sup>	EN62841-2-6
	7,7 m/s <sup>2</sup>	1,5 m/s <sup>2</sup>	Anbefalt praktisk bruk*

\* Testforholdet for anbefalt praktisk bruk overholder EN 62841-2-6, bortsett fra følgende punkter:

- Fremføringskraft påføres bryterhåndtaket (hovedhåndtaket) for funksjonell nøyaktighet og effektivitet.
- Støttegrepet/håndtaket (tilleggshåndtak) holdes for å holde verktøyet balansert.

**MERK:** Den/de oppgitte verdien(e) for totalt genererte vibrasjoner har blitt målt i henhold til standard testmetoder, og kan bli brukt til å sammenligne ett verktøy med et annet.

**MERK:** Den/de angitte verdien(e) for totalt genererte vibrasjoner kan også brukes til en foreløpig vurdering av eksponeringen.

**⚠ ADVARSEL:** De genererte vibrasjonene ved faktisk bruk av elektroverktøyet kan avvike fra den/de angitte vibrasjonsverdien(e), avhengig av hvordan verktøyet brukes og spesielt i forhold til arbeidsstykket som blir behandlet.

**⚠ ADVARSEL:** Sørg for å identifisere vernetiltak for å beskytte operatøren, som er basert på et estimat av eksponeringen under de faktiske bruksforholdene (idet det tas hensyn til alle deler av driftssyklusen, dvs. hvor lenge verktøyet er slått av, hvor lenge det går på tomgang og hvor lenge startbryteren faktisk holdes trykket).

## Samsvarserklæringer

### Gjelder kun for land i Europa

Samsvarserklæringene er lagt til som vedlegg A i denne bruksanvisningen.

## SIKKERHETSADVARSEL

### Generelle advarsler angående sikkerhet for elektroverktøy

**⚠ ADVARSEL** Les alle sikkerhetsadvarsler, instruksjoner, illustrasjoner og spesifikasjoner som følger med dette elektroverktøyet. Hvis ikke alle instruksjonene nedenfor følges, kan det føre til elektrisk støt, brann og/eller alvorlig personskade.

### Oppbevar alle advarsler og instruksjoner for senere bruk.

Uttrykket «elektrisk verktøy» i advarslene refererer både til elektriske verktøy (med ledning) tilkoblet strømmenett, og batteridrevne verktøy (uten ledning).

## SIKKERHETSADVARSLER FOR BATTERIDREVET BORHAMMER

### Sikkerhetsanvisninger for all bruk

1. **Bruk hørselsvern.** Støy kan føre til nedsatt hørsel.
2. **Bruk hjelpehåndtak, hvis det (de) følger med maskinen.** Hvis maskinen kommer ut av kontroll, kan det resultere i helseskader.
3. **Hold det elektriske verktøyet i de isolerte gripeflatene når skjæretilbehøret kan komme i kontakt med skjulte ledninger under arbeidet.** Hvis skjæretilbehøret kommer i kontakt med strømførende ledninger, kan ikke-isolerte metall-deler på det elektriske verktøyet bli strømførende og gi brukeren elektrisk støt.

### Sikkerhetsanvisninger ved bruk av lange bor med borhammere

1. **Boring skal alltid startes ved lav hastighet og med borspissen i kontakt med arbeidsstykket.** Ved høyere hastigheter er det sannsynlig at boret bøyer seg hvis det får rotere fritt uten kontakt med arbeidsstykket, noe som kan føre til personskade.
2. **Trykk skal kun påføres i direkte linje med boret, og ikke bruk for mye kraft.** Bor kan bøye seg og knekke eller komme ut av kontroll, noe som kan føre til personskade.

### Flere sikkerhetsadvarsler

1. **Bruk hjelm, vernebriller og/eller ansiktsmaske.** Vanlige briller og solbriller er IKKE vernebriller. Det anbefales også på det sterkeste å bruke støvmaske og kraftig polstrede hansker.
2. **Vær sikker på at boret er skikkelig festet før du starter verktøyet.**
3. **Verktøyet er laget slik at det vil vibrere under vanlig bruk.** Skruene kan lett løsne, noe som kan forårsake et verktøysammenbrudd eller en ulykke. Før bruk må du derfor kontrollere grundig at skruene ikke er løse.
4. **I kaldt vær, eller når verktøyet ikke har vært i bruk på lenge, må du varme opp verktøyet ved å la det gå en stund uten belastning.** Dette vil myke opp smøremiddelet. Hvis verktøyet ikke er skikkelig oppvarmet, vil det være vanskelig å bruke hammeren.
5. **Pass på at du har godt foffeste.** Forviss deg om at ingen står under deg når du jobber høyt over bakken.

6. Hold maskinen godt fast med begge hender.
7. Hold hendene unna bevegelige deler.
8. Ikke gå fra verktøyet mens det er i gang. Verktøyet må bare brukes mens operatøren holder det i hendene.
9. Ikke rett verktøyet mot personer i nærheten mens det er i bruk. Boret kan fly ut og skade noen alvorlig.
10. Ikke berør boret eller meiselen, eller deler i nærheten av boret eller meiselen, eller arbeidsstykket, umiddelbart etter at verktøyet har vært i bruk, da disse kan være ekstremt varme og kan gi brannskader.
11. Enkelte materialer inneholder kjemikalier som kan være giftige. Treff tiltak for å hindre hudkontakt og innånding av støv. Følg leverandørens sikkerhetsanvisninger.
12. Forsikre deg om at verktøyet er slått av og at batteriet og boret er tatt ut før du overlater verktøyet til en annen person.
13. Før bruk må du kontrollere at ikke gjenstander som elektriske rør, vannrør eller gassrør er gravd ned i arbeidsområdet. Boret/meiselen kan komme i kontakt med den og føre til elektrisk støt, elektrisk lekkasje eller gasslekkasje.
14. Ikke bruk verktøyet uten belastning hvis det ikke er nødvendig.

## TA VARE PÅ DISSE INSTRUKSENE.

**⚠ ADVARSEL:** IKKE LA hensynet til hva som er "behagelig" eller det faktum at du kjenner produktet godt (etter mange gangers bruk) gjøre deg mindre oppmerksom på sikkerhetsreglene for bruken av det aktuelle produktet. Ved MISBRUK eller hvis ikke sikkerhetsreglene i denne bruksanvisningen følges, kan det oppstå alvorlig personskade.

### Viktige sikkerhetsanvisninger for batteriinnsett

1. Før du begynner å bruke batteriet, må du lese alle anvisninger og forsiktighetsregler på (1) batteriladeren, (2) batteriet og (3) det produktet batteriet skal brukes i.
2. Ikke demonter eller tukle batteriet. Det kan føre til brann, overoppheting eller eksplosjon.
3. Hvis driftstiden er blitt vesentlig kortere, må du omgående slutte å bruke maskinen. Hvis ikke kan resultatet bli overoppheting, mulige forbrenninger eller til og med en eksplosjon.
4. Hvis du får elektrolytt i øynene, må du skylle dem med store mengder rennende vann og oppsøke lege med én gang. Denne typen uhell kan føre til varig blindhet.
5. Ikke kortslett batteriet:
  - (1) De kan være ekstremt varme og du kan brenne deg.
  - (2) Ikke lagre batteriet i samme beholder som andre metallgjenstander, som for eksempel spiker, mynter osv.
  - (3) Ikke la batteriet komme i kontakt med vann eller regn.

En kortslutning av batteriet kan føre til et kraftig strømstøt, overoppheting, mulige forbrenninger og til og med til at batteriet går i stykker.

6. Ikke oppbevar og bruk verktøyet og batteriet på steder hvor temperaturen kan komme opp i eller overskride 50 °C.
7. Ikke sett fyr på batteriet, ikke engang om det er sterkt skadet eller helt utslitt. Batteriet kan eksplodere hvis det begynner å brenne.
8. Du må ikke spikre, skjære, klemme, kaste eller miste batteriet, og heller ikke slå en hard gjenstand mot batteriet. En slik oppførsel kan føre til brann, overoppheting eller eksplosjon.
9. Ikke bruk batterier som er skadet.
10. Lithium-ion-batteriene som medfølger er gjenstand for krav om spesialavfall. For kommersiell transport, f.eks av tredjeparter eller speditorer, må spesielle krav om pakking og merking følges. Før varen blir sendt, må du forhøre deg med en ekspert på farlig materiale. Ta også hensyn til muligheten for mer detaljerte nasjonale bestemmelser. Bruk teip eller maskeringsteip for å skjule åpne kontakter og pakk inn batteriet på en slik måte at den ikke kan bevege seg rundt i emballasjen.
11. Når du kasserer batteriinnsett, må du ta den ut av verktøyet og avhende den på et sikkert sted. Følg lokale bestemmelser for avhending av batterier.
12. Bruk batteriene kun med produkter spesifisert av Makita. Montere batteriene i produkter som ikke er konforme kan føre til brann, overoppheting eller elektrolyttlekkasje.
13. Hvis verktøyet ikke skal brukes over en lengre periode, må batteriet tas ut av verktøyet.
14. Under og etter bruk kan batteriet bli varmt og før til brannskader. Vær forsiktig med håndtering av varme batterier.
15. Ikke berører terminalen på verktøyet rett etter bruk, da den kan bli varm og forårsake brannskader.
16. Ikke la spon, støv eller jord sette seg fast i terminalene, hullene og sporene i batteriet. Det kan føre til at batteriet eller verktøyet blir overopphet, begynner å brenne, sprekke eller ikke fungerer som det skal, og forårsake brannskader eller personskade.
17. Med mindre verktøyet støtter bruk nær en høyspent strømlinje, skal ikke batteriet brukes nær en høyspent strømlinje. Det kan føre til en funksjonsfeil eller at verktøyet eller batteriet slutter å fungere.
18. Oppbevar batteriet utilgjengelig for barn.

## TA VARE PÅ DISSE INSTRUKSENE.

**⚠ FORSIKTIG:** Bruk kun originale Makita-batterier. Bruk av batterier som har endret seg, eller som ikke er originale Makita-batterier, kan føre til at batteriet sprekke og forårsaker brann, personskader og andre skader. Det vil også ugyldiggjøre garantien for Makita-verktøyet og -laderen.

## Tips for å opprettholde maksimal batterilevetid

1. Lad batteriinnsetsen før den er helt utladet. Stopp alltid driften av verktøyet og lad batteriinnsetsen når du merker at effekten reduseres.
2. Lad aldri en batteriinnsets som er fulladet. Overopplading forkorter batteriets levetid.
3. Lad batteriet i romtemperatur ved 10 °C - 40 °C. Et varmt batteri må kjøles ned før lading.
4. Når batteriet ikke er bruk, skal det tas ut av verktøyet eller laderen.
5. Lad batteriet hvis det ikke har vært brukt på en lang stund (over seks måneder).

## FUNKSJONSBEKRIVELSE

**⚠FORSIKTIG:** Forviss deg alltid om at maskinen er slått av og batteriet tatt ut før du justerer maskinen eller kontrollerer dens mekaniske funksjoner.

### Sette inn eller ta ut batteri

**⚠FORSIKTIG:** Slå alltid av verktøyet før du setter inn eller fjerner batteriet.

**⚠FORSIKTIG:** Hold verktøyet og batteripatronen i et fast grep når du monterer eller fjerner batteripatronen. Hvis du ikke holder verktøyet og batteripatronen godt fast, kan du miste grepet, og dette kan føre til skader på verktøyet og batteripatronen samt personskader.

Når du skal sette inn batteriet, må du plassere tungen på batteriet på linje med sporet i huset og skyve batteriet på plass. Skyv det helt inn til det går i inngrep med et lite klikk. Hvis du kan se den røde indikatoren som vist i figuren, er det ikke helt låst.

For å ta ut batteriet må du skyve på knappen foran på batteriet og trekke det ut.

► Fig.1: 1. Rød indikator 2. Knapp 3. Batteriinnsets

**⚠FORSIKTIG:** Batteriet må alltid settes helt inn, så langt at den røde indikatoren ikke lenger er synlig. Hvis dette ikke gjøres, kan batteriet falle ut av verktøyet og skade deg eller andre som oppholder seg i nærheten.

**⚠FORSIKTIG:** Ikke bruk makt når du setter i batteriet. Hvis batteriet ikke glir lett inn, er det fordi det ikke settes inn på riktig måte.

## Indikere gjenværende batterikapasitet

### Kun for batterier med indikatoren

Trykk på sjekk-knappen på batteriet for vise gjenværende batterikapasitet. Indikatorlampene lyser i et par sekunder.

► Fig.2: 1. Indikatorlamper 2. Kontrollknapp

Indikatorlamper			Gjenværende batterinivå
Tent	Av	Blinker	
			75 % til 100 %
			50 % til 75 %
			25 % til 50 %
			0 % til 25 %
			Lad batteriet.
			Batteriet kan ha en feil.

**MERK:** Det angitte nivået kan avvike noe fra den faktiske kapasiteten alt etter bruksforholdene og den omgivende temperaturen.

**MERK:** Den første (helt til venstre) indikatorlampe vil blinke når batterivernsystemet fungerer.

## Batterivernsystem for verktøy/batteri

Verktøyet er utstyrt med et batterivernsystem for verktøy/batteri. Dette systemet kutter automatisk strømmen til motoren for å forlenge verktøyet og batteriets levetid. Verktøyet stopper automatisk under drift hvis verktøyet eller batteriet utsettes for en av følgende tilstander:

### Overlastsikring

Når batteriet brukes på en måte som gjør at det bruker unormalt mye strøm, vil verktøyet stoppe, helt automatisk og uten forvarsel. I dette tilfellet må du slå av verktøyet og avslutte bruken som forårsaket at verktøyet ble overbelastet. Slå deretter verktøyet på for å starte det igjen.

### Overopphetingsvern

Når verktøyet eller batteriet blir overopphetet, stanser verktøyet automatisk. I dette tilfellet lar du verktøyet og batteriet avkjøles før du starter verktøyet på nytt.

**MERK:** Lampen blinker når verktøyet er overopphetet.

## Overutladningsvern

Når det blir batterikapasiteten er utilstrekkelig, stopper verktøyet automatisk. I så fall fjerner du batteriet fra verktøyet og lader det.

## Vern mot andre årsaker

Vernesystemet er også laget for beskyttelse mot andre ting som kan skade verktøyet og gjøre at det stanser automatisk. Ta alle de følgende forholdsreglene for å fjerne årsakene til at verktøyet har stanset midlertidig mens det er i drift.

1. Skru av verktøyet, og så skrur du verktøyet på igjen for å starte på nytt.
2. Lad opp batteriet/ene eller skift det/dem ut med oppladde batteri(er).
3. La både verktøyet og batteriet/ene kjøle seg ned.

Hvis det ikke blir noen forbedring ved at vernesystemet gjenoprettes, ta kontakt med det lokale Makita servicesenteret.

## Bryterfunksjon

**⚠ ADVARSEL:** Før du setter batteriet inn i maskinen, må du alltid kontrollere at startbryteren aktiverer maskinen på riktig måte og går tilbake til «AV»-stilling når den slippes.

Trykk på startbryteren for å starte verktøyet. Verktøyet hastighet øker når du trykker hardere på startbryteren. Slipp bryteren for å stanse verktøyet.

► Fig.3: 1. Startbryter

## Tenne frontlampen

**⚠ FORSIKTIG:** Ikke se inn i lyset eller se direkte på lyskilden.

Trykk inn startbryteren for å tenne lampen. Lampen fortsetter å lyse så lenge startbryteren holdes inne. Lampen slukkes omtrent 10 sekunder etter at startbryteren er sluppet.

► Fig.4: 1. Lampe

**MERK:** Bruk en tørr klut til å tørke støv osv. av lampelinsen. Vær forsiktig så det ikke blir riper i lampelinsen, da dette kan redusere lysstyrken.

**MERK:** Hvis verktøyet blir overopphetet, blinker lampen. I dette tilfellet må du slippe startbryteren og deretter kjøle ned verktøyet/batteriet før du bruker det igjen.

**MERK:** Frontlyset kan ikke brukes mens støvoppsamlingsystemet (ekstrautstyr) er montert i verktøyet.

## Reverseringsfunksjon

**⚠ FORSIKTIG:** Før arbeidet begynner, må du alltid kontrollere rotasjonsretningen.

**⚠ FORSIKTIG:** Bruk reversbryteren bare etter at verktøyet har stoppet helt. Hvis du endrer rotasjonsretningen før verktøyet har stoppet, kan det bli ødelagt.

**⚠ FORSIKTIG:** Når du ikke skal bruke maskinen lenger, må du alltid sette reversbryteren i nøytral stilling.

Dette verktøyet har en reversbryter som kan brukes til å endre rotasjonsretningen. Trykk inn reversbryteren fra «A»-siden for å velge rotasjon med klokken, eller fra «B»-siden for å velge rotasjon mot klokken.

Når reversbryteren er i nøytral stilling, kan ikke startbryteren trykkes inn.


► Fig.5: 1. Reverseringsspak

## Velge en funksjon

**OBS:** Ikke dreie på funksjonsvelgeren mens verktøyet sviver. Verktøyet blir ødelagt.


**OBS:** Sørg for at du alltid bekrefter at funksjonsvelgeren står i en av funksjonsposisjonene for å unngå at modusendingsmekanismen slites raskt ut.

## Rotasjon med hammerboring

Når du skal bore i betong, mur, osv., må du dreie funksjonsvelgeren til den peker på -symbolet. Bruk et bor med karbidspiss.

► Fig.6: 1. Funksjonsvelger

## Bare rotasjon

Når du skal bore i tre, metall eller plastmaterialer, må du dreie funksjonsvelgeren til den peker på -symbolet. Bruk et spiralbor eller trebor.

► Fig.7: 1. Funksjonsvelger

## Elektronisk funksjon

Maskinen er utstyrt med de elektroniske funksjonen for å gjøre den enkel å bruke.

- Elektrisk brems  
Dette verktøyet er utstyrt med elektrisk brems. Hvis verktøyet ikke slutter å virke når startbryteren slippes, må du få gjennomført service ved et Makita servicesenter.
- Konstant hastighetskontroll  
Hastighetskontrollfunksjonen sørger for konstant rotasjons hastighet uavhengig av belastningsforhold.



# MONTERING

**⚠️FORSIKTIG:** Forviss deg alltid om at maskinen er slått av og batteriet tatt ut før du utfører noe arbeid på maskinen.

## Støttehåndtak (hjelpelandtak)

**⚠️FORSIKTIG:** Bruk alltid støttehåndtaket for å bruke verktøyet på en sikker måte.

**⚠️FORSIKTIG:** Når du har installert eller justert støttehåndtaket, må du sørge for at støttehåndtaket er festet godt med fremspringene på verktøyet heftet ordentlig fast i sporene på støttehåndtaket.

Følg trinnene nedenfor for å montere støttehåndtaket.

1. Løsne fingerskruen på støttehåndtaket.

► **Fig.8:** 1. Fingerskrue

2. Monter støttehåndtaket slik at sporene på håndtaket passer inn i fremspringene på verktøyet mens du trykker ned fingerskruen.

► **Fig.9:** 1. Fingerskrue

3. Stram fingerskruen for å sikre støttehåndtaket. Håndtaket kan festes i ønsket vinkel.

## Montere eller fjerne boret

### Smørefett

Rengjør endeskafet på boret, og påfør smørefett før du monterer boret.

Smør endeskafet på boret med litt smørefett (ca. 0,5–1 g) på forhånd. Denne kjøksmøringen sikrer jevn rotasjon og lengre levetid.

► **Fig.10:** 1. Endeskafet 2. Smørefett

Sett inn boret i verktøyet. Vri og skyv på boret inntil det sitter.

Etter montering av boret må du alltid forsikre deg om at boret sitter som det skal ved å prøve å dra det ut.

► **Fig.11:** 1. Bor

Ta av boret ved å skyve kjoksdexelet helt ned og dra ut boret.

► **Fig.12:** 1. Bor 2. Kjoksdexsel

## Dybdemåler

Dybdemåleren er praktisk for boring av flere hull med samme dybde.

Trykk på og hold inne sperreknappen, og sett deretter dybdemåleren inn i hullet. Sørg for at den taggedede siden av dybdemåleren er vendt mot merket.

► **Fig.13:** 1. Dybdemåler 2. Sperreknapp 3. Merke 4. Tagget side

Juster dybdemåleren ved å flytte den fram og tilbake mens du holder inne sperreknappen. Etter justeringen slipper du sperreknappen for å låse dybdemåleren.

**MERK:** Pass på at dybdemåleren ikke berører verktøyet hoveddel når du fester den.

## Støvkopp

### Valgfritt tilbehør

Bruk støvkoppen for å unngå støv på verktøyet og deg selv når du borer med verktøyet over hodet. Fest støvkoppen til boret som vist i figuren. Støvkoppen kan festes til følgende borstørrelser:

Modell	Bordiameter
Støvkopp 5	6 mm - 14,5 mm
Støvkopp 9	12 mm - 16 mm

► **Fig.14:** 1. Støvkopp

## Støvkoppsett

### Valgfritt tilbehør

## Montere støvkoppsettet

**OBS:** Ikke bruk verktøyet med støvkoppsettet når du borer i metall eller lignende. Det kan skade støvkoppsettet på grunn av varmen som metallstøvet eller lignende avgir. Ikke monter eller fjern støvkoppsettet mens boret står i verktøyet. Det kan skade støvkoppsettet og føre til støvlekkasje.

Før du monterer støvkoppsettet, må du fjerne boret fra verktøyet hvis det er montert.

1. Løsne fingerskruen på støttehåndtaket.

2. Monter støvkoppsettet slik at krokene på støvkoppen passer inn i åpningene på støttehåndtaket.

► **Fig.15:** 1. Støvkoppsett 2. Støttehåndtak

3. Monter støttehåndtaket slik at sporet på håndtaket passer inn i fremspringet på verktøyet. Stram fingerskruen for å sikre støttehåndtaket.

► **Fig.16:** 1. Støttehåndtak 2. Spor 3. Fremspring

**MERK:** Hvis du kobler en støvsuger til støvkoppsettet, må du ta av støvdekelet før du kobler den til.

► **Fig.17:** 1. Støvdeksel

## Ta ut borebiten

Ta ut boret ved å trekke kjoksdexelet helt ned og dra ut boret.

► **Fig.18:** 1. Bor 2. Kjoksdexsel

## Ta av støvkoppsettet

Før å ta av støvkoppsettet følger du trinnene nedenfor.

1. Løsne fingerskruen på støttehåndtaket. Fjern støttehåndtaket fra verktøyet.

► **Fig.19:** 1. Fingerskrue

2. Ta tak i foten på støvkoppen, og dra den ut.

**MERK:** Hvis det er vanskelig å ta ut støvkoppsettet, tar du klørne av støvkoppen en etter en ved å dreie og trekke foten på støvkoppen.

► **Fig.20:** 1. Støvkopp

**MERK:** Hvis dekelet løsner fra støvkoppsettet, setter du det tilbake i opprinnelig stilling.

Følg fremgangsmåten nedenfor for å plassere dekselet tilbake i opprinnelig posisjon.

1. Vri belgen mot klokken, og fjern den fra tilbehørsenheten med støvkoppsettet mens belgen er låst opp.  
► **Fig.21:** 1. Belg 2. Festeenhet
2. Sett dekselet tilbake på plass med trykket vendt opp.  
► **Fig.22:** 1. Deksel 2. Festeenhet
3. Kontroller at sporene rundt dekselet passer godt inn i leppene på den øvre åpningen på festeenheten.

## Verktøysoppheng

### Valgfritt tilbehør

**⚠FORSIKTIG:** Ikke bruk verktøysoppheng eller skruer som er skadet. Før bruk må det alltid ettersees at det ikke er skader, sprekker eller deformeringer og at skruen er strammet.

**⚠FORSIKTIG:** Sett på og ta av verktøysoppheng på et stabilt bord eller flate. Bare bruk skruen som følger med verktøysoppheng. Etter at verktøysoppheng er montert, må det påses at det er sikkert montert med skruen.

**⚠FORSIKTIG:** Ikke ta ut batteriinnsettsen fra verktøyet mens det henges opp. Verktøyet kan falle ned hvis skruen ikke er strammet.

Verktøysoppheng er ment for tilkobling av fangsnoren (sikkerhetsstroppen).

Før du monterer verktøysoppheng, fjerner du gummiheften fra skruerhullet i monteringsbraketten. Sett firkantskruen inn under braketten. Stram til verktøysoppheng med skruen på plass.

- **Fig.23:** 1. Gummihefte 2. Monteringsbrakett  
3. Firkantskrue 4. Verktøysoppheng  
5. Skruer

## Sikkerhetsadvarsel om påsetting av fangsnor (sikkerhetsstropp) på verktøysoppheng

**⚠Spesielle sikkerhetsadvarsel for bruk i høyden Les alle sikkerhetsadvarslene og instruksjonene.** Hvis advarsel og instruksjoner ikke følges, kan det føre til alvorlig personskade.

1. Fest alltid verktøyet i en sikkerhetsstropp når du arbeider "i høyden". Maksimal fangsnorlengde er 2 m. Maksimal tillatt fallhøyde for fangsnor (sikkerhetsstropp) skal ikke overskride 2 m.
2. Må bare brukes med fangsnorer som egner seg for denne typen verktøy og som er merket for minst 6,0 kg.
3. Fangsnoren for verktøyet må ikke forankres til noe på kroppen din eller til bevegelige komponenter. Fangsnoren for verktøyet må forankres til en stiv konstruksjon som kan motstå krefte hvis verktøyet faller ned.
4. Pass på at fangsnoren er skikkelig sikret i begge ender før bruken.

5. Kontroller at fangsnoren for verktøyet ikke er skadd og fungerer riktig før hver bruk (inkludert stoff og sømmer). Ikke bruk den hvis den er skadd eller ikke fungerer som den skal.
6. Ikke surr fangsnorer rundt, eller la dem komme i kontakt med, skarpe kanter.
7. Fest den andre enden av fangsnoren utenfor arbeidsområdet slik at verktøyet holdes sikkert hvis det faller ned.
8. Fest fangsnoren slik at verktøyet vil bevege seg bort fra brukeren hvis det faller ned. Verktøy som faller ned vil svinge i fangsnoren, og kan føre til personskader eller til at du mister balansen.
9. Ikke bruk den nær bevegelige deler eller maskiner som er i gang. Hvis du gjør det, kan det føre til en innklemming eller at den vikler seg fast.
10. Ikke bær verktøyet i festeinnretningen eller fangsnoren.
11. Du må kun overføre verktøyet fra én hånd til den andre hvis du er i god balanse.
12. Ikke fest fangsnoren til verktøyet på en måte som kan hindre brytere eller AV-sperrer fra å virke som de skal.
13. Unngå å vikle deg inn i fangsnoren.
14. Hold fangsnoren unna verktøyets boreområde.
15. Bruk en låsende karabinkrok (fleraksjons karabinkrok med skrulås). Ikke bruk enkelaksjons karabinkroker med fjærlukking.
16. Hvis verktøyet skulle falle ned, må det merkes og tas ut av bruk, og det bær kontrolleres av en Makita-fabrikk eller et autorisert servicesenter.
17. Ikke heng verktøyet fra midjen. Det varme verktøyet og tilbehøret kan komme i kontakt med huden og medføre brannskader.

- **Fig.24:** 1. Verktøysoppheng 2. Fangsnor (sikkerhetsstropp)

## STØVOPPSAMLINGSSYSTEM

### Valgfritt tilbehør

Støvsamlingsystemet er konstruert til å samle opp støv på en effektiv måte ved boring i betong.

- **Fig.25:** 1. Støvsamlingsystem

**⚠FORSIKTIG:** Støvsamlersystemet er kun beregnet på boring i betong. Ikke bruk støvsamlersystemet når du borer i metall eller tre.

**⚠FORSIKTIG:** Når du bruker verktøyet med støvsamlersystemet, må du passe på å feste filteret på støvsamlersystemet for å forebygge innånding av støv.

**⚠FORSIKTIG:** Før du bruker støvsamlingsystemet må du kontrollere at filteret ikke er skadet og at det innvendige røret er fritt for støv og fremmedlegemer. Hvis ikke, kan det føre til innånding av støv.

**⚠FORSIKTIG:** Støvsamlersystemet samler opp det genererte støvet svært raskt, men det klarer ikke å samle opp alt støv.

**OBS:** Ikke bruk støvsamlersystemet til kjerneborring eller meisling.

**OBS:** Ikke bruk støvoppsamlingsystemet når du borer i metall eller tre. Støvoppsamlingsystemet er kun beregnet på betong.

**OBS:** Ikke bruk støvsamlersystemet når du skal bore i våt betong, og det skal heller ikke brukes i våte miljøer. Det kan føre til at støvsamlersystemet slutter å fungere som det skal.

## Montere eller demontere

**OBS:** Før du installerer støvoppsamlings-systemet må tilkoblingsdelene på verktøyet og støvoppsamlingsystemet gjøres rene.

Fremmedlegemer på koblingsdelene kan gjøre det vanskelig å installere støvoppsamlingsystemet. Hvis det er igjen noe støv i luftkanalen, kan det komme støv inn i verktøyet som kan forårsake blokkering av luftstrømmen eller at verktøyet blir ødelagt.

Slik monterer du støvoppsamlingsystemet: Før verktøyet helt inn i støvoppsamlingsystemet til verktøyet låses på plass med et klikk.

► Fig.26

Når du vil fjerne støvoppsamlingsystemet, drar du verktøyet oppover samtidig som du trykker på AV-sperreknappen.

► Fig.27: 1. AV-sperreknapp

## Justering av dyseposisjonen til støvoppsamlingsystemet

**⚠FORSIKTIG:** Ikke rett munnstykket mot deg selv eller andre når du frigjør munnstykket ved å trykke på føringsjusteringsknappen.

Skyv føringen inn og ut mens du trykker på føringsjusteringsknappen, og slipp deretter knappen i en nøyaktig stilling der spissen på boret sitter rett bak den fremre overflaten på munnstykket.

► Fig.28: 1. Føring 2. Føringsjusteringsknapp  
3. Spiss på bor 4. Fremre overflate på munnstykket

## Justere boreddybder

Boreddybder kan justeres ved å endre lengdene mellom dybdejusteringsknappen og støttearmen for føringen. Trykk på og hold innen dybdejusteringsknappen, og skyv den til ønsket stilling.

► Fig.29: 1. Dybdejusteringsknapp 2. Føring  
3. Støttearm for føring 4. Boreddybde

## Banke ut støv av filteret

**⚠FORSIKTIG:** Ikke dreie hjulet på støvboksen mens den tas av støvsamlings-systemet. Hvis dette gjøres, kan det føre til innånding av støv.

**⚠FORSIKTIG:** Når innstillingshjulet på støvboksen dreies må verktøyet være skrudd av. Hvis du dreier hjulet mens verktøyet er i gang, kan du miste kontrollen over verktøyet.

Ved å banke ut støvet av filteret inne i støvboksen, kan du holde effektiviteten til vakuemet oppe og samtidig redusere antallet ganger du trenger å tømme støvet. Drei hjulet på støvboksen tre ganger hver gang du har samlet 50 000 mm<sup>3</sup> med støv eller når du føler at vakuemet er redusert.

**MERK:** 50 000 mm<sup>3</sup> med støv tilsvarer å bore 10 hull på ø10 mm og med en dybde på 65 mm.

► Fig.30: 1. Støvboks 2. Innstillingshjul

## Avhending av støv

**⚠FORSIKTIG:** Forviss deg alltid om at maskinen er slått av og batteriet tatt ut før du utfører noe arbeid på maskinen.

**⚠FORSIKTIG:** Bruk en støvmaske når du avhender støv.

**⚠FORSIKTIG:** Sørg for at verktøyet er helt stoppet før du avhender støv.

**⚠FORSIKTIG:** Tøm støvbeholderen jevnlig før den blir helt full. Hvis ikke, kan støvsamlerens ytelse svekkes og føre til innånding av støv.

**⚠FORSIKTIG:** Støvsamlerens ytelse stopper opp hvis filteret i støvbeholderen blir tilstoppet. Gjør det til en vane å erstatte filteret med et nytt etter ca. 200 driftstimer. Hvis ikke, kan det føre til innånding av støv.

1. Ta ut støvbeholderen mens du trykker ned henden delen på støvbeholderen.

► Fig.31: 1. Hendel

2. Åpne dekselet på støvbeholderen.

► Fig.32: 1. Deksel

3. Avhend støvet, og rengjør filteret.

► Fig.33

**OBS:** Når du skal rengjøre filteret, dunker du filterhuset forsiktig med hånden for å fjerne støv. Ikke slå direkte på filteret. Berør filteret med en kost eller lignende, eller blås trykkluft på filteret. Hvis ikke, kan filteret bli skadet.

## Sette filteret tilbake i støvbeholderen

1. Ta ut støvbeholderen mens du trykker ned hendedelen på støvbeholderen.  
► **Fig.34:** 1. Hendedel
2. Åpne filterdekslet på støvboksen.  
► **Fig.35:** 1. Filterdeksel
3. Fjern filteret fra filterhuset.  
► **Fig.36:** 1. Filter 2. Filterhus
4. Fest et nytt filter til filterhuset, og så settes filterdekslet på igjen.
5. Lukk dekslet på støvbeholderen, og fest støvbeholderenden til støvoppsamlingsystemet.

## Skifte ut det tettende lokket

1. Før et flatt skrujern inn i sporene i sidene på hodet på munnstykket. Sett det flate skrujernet på skrått for å klemme og vippe firkantkroken ut av det tettende lokket. Deretter trekker du gummikanten på det tettende lokket bort fra kanten på åpningen i hodet på munnstykket.  
► **Fig.37:** 1. Tettende lokk 2. Firkantkrok 3. Spor 4. Hode på munnstykke
2. Sett én av firkantkrokene i et nytt tettende lokk inn i den nedre delen av sporet i hodet på munnstykket med en utspart overflate på det tettende lokket vendt fremover.  
► **Fig.38:** 1. Firkantkroker 2. Nedre del av sporet 3. Tettende lokk 4. Utspart overflate
3. Plasser den andre kroken på motsatt side samtidig som du setter det tettende lokket tilbake på plass på hodet på munnstykket.  
► **Fig.39:** 1. Tettende lokk 2. Firkantkrok 3. Nedre del av sporet 4. Hode på munnstykke 5. Kanter
4. Legg gummikanten på det tettende lokket forsiktig ned over kanten på åpningen i hodet på munnstykket fra nederst til øverst.  
► **Fig.40:** 1. Gummikant 2. Tettende lokk 3. Hode på munnstykke

## BRUK

**⚠FORSIKTIG:** Bruk alltid støttehåndtaket (hjelpéhåndtaket), og hold maskinen støtt med både støttehåndtak og hovedhåndtak når du bruker den.

**⚠FORSIKTIG:** Sørg alltid for at arbeidsstykket sitter godt fast før du går i gang.

**⚠FORSIKTIG:** Ikke dra verktøyet ut med makt, selv om boret setter seg fast. Tap av kontroll kan føre til personskade.


**OBS:** Før du bruker verktøyet med støvoppsamlingsystemet, må du lese avsnittet om støvoppsamlingsystemet.

**MERK:** Hvis batteriet er kaldt, kan det hende at verktøyet ikke yter som det skal. Da må du varme opp batteriet ved å bruke verktøyet uten belastning en stund slik at verktøyet etter hvert yter som det skal.

► **Fig.41**

## Slagborfunksjon

**⚠FORSIKTIG:** Verktøyet/boret utsettes for voldsomme og plutselige vridninger i det øyeblikket det bores hull, når hullet fylles opp av biter og partikler, eller når du treffer armeringsjernet i betongen. **Bruk alltid støttehåndtaket (hjelpéhåndtaket), og hold maskinen støtt med både støttehåndtak og hovedhåndtak når du bruker den.** Hvis du ikke gjør det, kan du miste kontrollen og potensielt risikere alvorlige skader.

Sett funksjonsvelgeren på -symbolet. Plasser boret der du vil bore hullet, og trekk i startbryteren.

Påfør bryterhåndtaket (hovedhåndtaket) fremføringskraft for funksjonell nøyaktighet og effektivitet, og hold i støttehåndtaket (tilleggshåndtaket) for å holde verktøyet balansert.

Hold verktøyet i riktig posisjon, og sørg for at det ikke gli bort fra hullet.

Ikke legg mer press på verktøyet når hullet fylles av biter eller partikler. La i stedet verktøyet gå på tomgang, og trekk deretter boret delvis ut av hullet. Ved å gjenta dette flere ganger, vil hullet rengjøres, og normal boring kan gjenopptas.

**MERK:** Hvis verktøyet brukes uten belastning, kan det forekomme kast i borrotasjonen. Under bruk senterer verktøyet seg automatisk. Dette påvirker ikke borenøyaktigheten.

## Boring i treverk eller metall

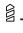
**⚠FORSIKTIG:** Hold verktøyet i et fast grep, og vær forsiktig når skrutrekkerboret begynner å bryte gjennom arbeidsstykket. I gjennombruddsøyeblikket virker det en enorm kraft på verktøyet/skrutrekkerboret.

**⚠FORSIKTIG:** Et skrutrekkerbor som sitter fast kan fjernes hvis du setter reversbryteren til motsatt rotasjonsretning, så verktøyet kan bakke ut. Verktøyet kan imidlertid komme brått ut hvis du ikke holder det i et fast grep.

**⚠FORSIKTIG:** Arbeidsstykker må alltid festes med en skrustikke eller en liknende festeanordning.

**OBS:** "Rotasjon med hammerboring" må ikke brukes når borekjoksen er montert på verktøyet. Borekjoksen kan bli ødelagt. I tillegg løsner borekjoksen når verktøyet reverseres.

**OBS:** Hvis du bruker for mye kraft på verktøyet, vil det ikke øke borehastigheten. Overdreven bruk av kraft vil tvert imot kunne bidra til å ødelegge spissen av skrutrekkerboret, redusere verktøyeffekten og forkorte verktøyet levetid.

Sett funksjonsvelgeren på -symbolet. Koble kjoksadapteren til en nøkkelfri borekjoks som skrues med en størrelse på 1/2"-20 kan festes til, og monter dem deretter på verktøyet. Når du monterer den, se delen "Montere eller fjerne boret".

► **Fig.42:** 1. Borekjoksmodul 2. Kjoksadapter

## Utblåsningsballong

### Valgfritt tilbehør

Etter at du har boret et hull, må du bruke utblåsningsballongen til å fjerne støv fra hullet.

► Fig.43

- Støvoppsamlingsystem
- Verktøysoppheng
- Makita originalbatteri og lader

**MERK:** Enkelte elementer i listen kan være inkludert som standardtilbehør i verktøypakken. Elementene kan variere fra land til land.

## Bruke støvkoppsettet

### Valgfritt tilbehør

Monter støvkoppsettet mot taket når du bruker verktøyet.

► Fig.44

**OBS:** Ikke bruk verktøyet med støvkoppsettet når du borer i metall eller lignende. Det kan skade støvkoppsettet på grunn av varmen som metallstøvet eller lignende avgir.

**OBS:** Ikke monter eller fjern støvkoppsettet mens boret står i verktøyet. Det kan skade støvkoppsettet og føre til støvlekkasje.

## VEDLIKEHOLD

**⚠FORSIKTIG:** Forviss deg alltid om at maskinen er slått av og batteriet tatt ut før du foretar inspeksjon eller vedlikehold.

**OBS:** Aldri bruk gasolin, bensin, tynner alkohol eller lignende. Det kan føre til misfarging, deformering eller sprekkdannelse.

For å opprettholde produktets SIKKERHET og PÅLITELIGHET, må reparasjoner, vedlikehold og justeringer utføres av autoriserte Makita servicesentre eller fabrikk-servicesentre, og det må alltid brukes reservedeler fra Makita.

## VALGFRITT TILBEHØR

**⚠FORSIKTIG:** Det anbefales at du bruker dette tilbehøret eller verktøyet sammen med den Makita-maskinen som er spesifisert i denne håndboken. Bruk av annet tilbehør eller verktøy kan forårsake personskader. Tilbehør og verktøy må kun brukes til det formålet det er beregnet på.

Ta kontakt med ditt lokale Makita-servicesenter hvis du trenger mer informasjon om dette tilbehøret.

- Bor med karbidspiss (SDS-Plus-bor med karbidspiss)
- Kjoksadapter
- Nøkkelfri borekjoks
- Borfett
- Dybdemåler
- Utblåsningsballong
- Støvkopp
- Støvkoppsett

## TEKNISET TIEDOT

<b>Malli:</b>		<b>DHR183</b>
Porauskapasiteetti	Betoni	18 mm
	Teräs	13 mm
	Puu	24 mm
Kuormittamaton kierrosnopeus		0 - 1 100 min <sup>-1</sup>
Lyöntiä minuutissa		0 - 5 000 min <sup>-1</sup>
Kokonaispituus (mukana BL1860B)		288 mm
Nimellisjännite		DC 18 V
Nettopaino		2,1 - 2,9 kg

### Lisävaruste

<b>Malli:</b>		<b>DX16</b>
Imuteho		0,24 l/min
Iskunpituus		Jopa 105 mm
Poranterän tuki		Jopa 165 mm
Nettopaino		0,77 kg

- Jatkuvasta tutkimus- ja kehitystyöstämme johtuen esitetyt tekniset tiedot saattavat muuttua ilman erillistä ilmoitusta.
- Tekniset tiedot voivat vaihdella maittain.
- Paino voi olla erilainen lisävarusteista sekä akusta johtuen. EPTA-menettelytavan 01/2014 mukaisesti, taulukossa on kuvattu kevyin ja painavin laiteyhdistelmä.

### Käytettävä akkupaketti ja laturi

Akkupaketti	BL1815N / BL1820B / BL1830B / BL1840B / BL1850B / BL1860B
Laturi	DC18RC / DC18RD / DC18RE / DC18SD / DC18SE / DC18SF / DC18SH / DC18WC

- Tiettyjä yläpuolella kuvattuja akkuja ja latureita ei ehkä ole saatavana asuinalueestasi johtuen.

**VAROITUS:** Käytä vain edellä eriteltyjä akkupaketteja ja latureita. Muiden akkupakettien ja laturien käyttäminen voi aiheuttaa loukkaantumisen ja/tai tulipalon.

### Suosittelu johdollinen virtalähde

Kannettava tehoyksikkö	PDC01
------------------------	-------

- Edellä luetellut johdolliset virtalähteet eivät ehkä ole saatavana asuinalueellasi.
- Lue johdollisen virtalähteen käyttöohjeet ja tutustu siinä oleviin varoitusmerkintöihin ennen sen käyttämistä.

### Käyttötarkoitus

Työkalu on tarkoitettu tiilien, betonin ja kiven iskuporaukseen.

Se soveltuu myös puun, metallin, keramiikan ja muovin tavanomaiseen poraukseen.

### Melutaso

Tyypillinen A-painotettu melutaso määräytyy standardin EN62841-2-6 mukaan:

#### Malli DHR183

Äänenpainetaso ( $L_{pA}$ ): 90 dB (A)

Äänen voiman taso ( $L_{WA}$ ): 101 dB (A)

Virhemarginaali (K): 3 dB (A)

#### Malli DHR183 ja DX16

Äänenpainetaso ( $L_{pA}$ ): 90 dB (A)

Äänen voiman taso ( $L_{WA}$ ): 101 dB (A)

Virhemarginaali (K): 3 dB (A)

**HUOMAA:** Ilmoitetut melutasoarvot on mitattu standarditestausmenetelmän mukaisesti ja niiden avulla voidaan vertailla työkaluja keskenään.

**HUOMAA:** Ilmoitettuja melutasoarvoja voidaan käyttää myös altistumisen alustavaan arviointiin.

**VAROITUS:** Käytä kuulosuojaimia.

**VAROITUS:** Sähkötyökalun käytön aikana mitattu melutasoarvo voi poiketa ilmoitetuista arvoista laitteen käyttötavan ja erityisesti käsiteltävän työkappaleen mukaan.

**VAROITUS:** Selvitä käyttäjän suojaamiseksi tarvittavat varoimet todellisissa käyttöolosuhteissa tapahtuvan arvioidun altistumisen mukaisesti (ottaen huomioon käyttöjakso kokonaisuudessaan, myös jaksot, joiden aikana laite on sammutettuna tai käy tyhjäkäynnillä).

## Tärinä

Seuraavassa taulukossa on määritetty tärähdyksen kokonaisarvo sovellettavan standardin mukaisesti.

Työtila	Tärinäpäästö	Virhemarginaali (K)	Sovellettava standardi / testausolosuhteet
Betonin isku-poraaminen (a <sub>n, HD</sub> )	7,5 m/s <sup>2</sup>	1,5 m/s <sup>2</sup>	EN62841-2-6
	7,5 m/s <sup>2</sup>	1,5 m/s <sup>2</sup>	Suosittelua käyttö*
Betonin isku-poraaminen, DX16 (a <sub>n, HD</sub> )	7,6 m/s <sup>2</sup>	1,7 m/s <sup>2</sup>	EN62841-2-6
	7,7 m/s <sup>2</sup>	1,5 m/s <sup>2</sup>	Suosittelua käyttö*

\* Suositellun käytön testausolosuhteet vastaavat standardia EN 62841-2-6 lukuun ottamatta seuraavia kohtia:

- Syöttövoima kohdistuu kytkinkahvaan (pääkahvaan) toimintatarkkuudella ja -teholla.
- Sivukahvaa (lisäkahvaa) käytetään työkalun tasapainottamiseen.

**HUOMAA:** Ilmoitetut kokonaistärinäarvot on mitattu standarditestausmenetelmän mukaisesti ja niiden avulla voidaan vertailla työkaluja keskenään.

**HUOMAA:** Ilmoitettuja kokonaistärinäarvoja voidaan käyttää myös altistumisen alustavaan arviointiin.

**VAROITUS:** Sähkötyökalun käytön aikana mitattu todellinen tärinäpäästöarvo voi poiketa ilmoitetuista arvoista laitteen käyttötavan ja erityisesti käsiteltävän työkappaleen mukaan.

**VAROITUS:** Selvitä käyttäjän suojaamiseksi tarvittavat varoimet todellisissa käyttöolosuhteissa tapahtuvan arvioidun altistumisen mukaisesti (ottaen huomioon käyttöjakso kokonaisuudessaan, myös jaksot, joiden aikana laite on sammutettuna tai käy tyhjäkäynnillä).

## Vaatumustenmukaisuusvaatimukset

### Koskee vain Euroopan maita

Vaatumustenmukaisuusvaatimukset on liitetty tähän käyttöoppaaseen liitteeksi A.

## TURVAVAROITUKSET

### Sähkötyökalujen käyttöä koskevat yleiset varoitukset

**VAROITUS** Tutustu kaikkiin tämän sähkötyökalun mukana toimitettuihin turvavaroituksiin, ohjeisiin, kuviin ja teknisiin tietoihin. Seuraavassa esitettyjen ohjeiden noudattamatta jättäminen voi aiheuttaa sähköiskun, tulipalon ja/tai vakavan vamman.

### Säilytä varoitukset ja ohjeet tulevaa käyttöä varten.

Varoituksissa käytettävällä termillä "sähkötyökalu" tarkoitetaan joko verkkovirtaa käyttävää (johdollista) työkalua tai akkukäyttöistä (johdotonta) työkalua.

### AKKUKÄYTTÖISEN PORAVASARAN KÄYTTÖÄ KOSKEVAT VAROITUKSET

#### Kaikkea käyttöä koskevat turvallisuusohjeet

1. **Käytä kuulosuojaimia.** Melulle altistuminen saattaa aiheuttaa kuulokyvyn heikentymistä.
2. **Käytä työkalun mukana mahdollisesti toimitettua lisäkahvaa tai-kahvoja.** Hallinnan menetys voi aiheuttaa henkilövahinkoja.
3. **Pidä sähkötyökalusta kiinni sen eristetyistä tartuntapinnoista suoritettaessa toimintoja, joiden aikana leikkausvaruste voi osua pinnossa oleviin johtoihin.** Jännitteeseen johtimeen koskettava leikkausvaruste voi muuttaa sähkötyökalun paljaat metalliosat jännitteisiksi ja aiheuttaa käyttäjälle sähköiskun.

#### Pitkien poranterien käyttöä poravasaraissa koskevat turvallisuusohjeet

1. **Aloita poraaminen aina pienellä nopeudella ja niin, että terä on kiinni työkappaleessa.** Suuremmilla nopeuksilla terä voi taipua, jos se pääsee pyörimään vapaasti koskettamatta työkappaleeseen, ja tämä voi johtaa henkilövammoihin.
2. **Paina vain terän suuntaisesti äläkä käytä suurta voimaa.** Terät voivat taipua ja murtua tai voit menettää työkalun hallinnan, mikä voi johtaa henkilövahinkoihin.

#### Turvallisuutta koskevia lisävaroituksia

1. **Käytä kovaa päähinettä (suojakypärää), suojalaseja ja/tai kasvosuojusta.** Tavalliset silmä- tai aurinkolasit EIVÄT ole suojalaseja. Myös hengityssuojaimen ja paksujen käsineiden käyttö on suositeltavaa.
2. **Varmista ennen työskentelyn aloittamista, että terä on kiinnitetty tiukasti paikoilleen.**
3. **Laite on suunniteltu siten, että se tärisee normaalikäytössä.** Ruuvit voivat irrota hyvinkin helposti aiheuttaen laitteen rikkoutumisen tai onnettomuuden. Tarkasta ruuvien kireys huolellisesti ennen käyttöä.
4. **Jos ilma on kylmä tai konetta ei ole käytetty pitkään aikaan, anna sen lämmetä jonkin aikaa tyhjäkäynnillä.** Tämä tehostaa laitteen voitelua. Vasarointi voi olla hankalaa ilman asianmukaista esilämmitystä.

5. Seiso aina tukevassa asennossa. Varmista korkealla työskennellessäsi, että ketään ei ole alapuolella.
6. Pidä työkalusta lujasti molemmin käsin.
7. Pidä kädet poissa liikkuvien osien luota.
8. Älä jätä työkalua käymään itsekseen. Käytä laitetta vain silloin, kun pidät sitä kädessä.
9. Älä osoita laitteella ketään, kun käytät sitä. Terä saattaa lennähtää irti ja aiheuttaa vakavan loukkaantumisen.
10. Älä kosketa terää, sen lähellä olevia osia tai työkalupäätä välittömästi käyntiä jälkeen, sillä ne voivat olla erittäin kuumia ja aiheuttaa palovammoja.
11. Jotkin materiaalit sisältävät kemikaaleja, jotka voivat olla myrkyllisiä. Huolehdi siitä, että pölyn sisäänhengittäminen ja ihokosketus estetään. Noudata materiaalin toimittajan turvaohjeita.
12. Varmista aina ennen laitteen luovuttamista toiselle henkilölle, että laite on sammutettu ja että akkupaketti ja poranterä on irrotettu.
13. Varmista ennen käyttöä, ettei työskentely-alueella ole upotuksia, kuten sähkö-, vesi- tai kaasuputkia. Muutoin poranterä/talita voi koskettaa niitä, mikä voi johtaa sähköiskuun, sähkövuo- tuon tai kaasuvuotoon.
14. Älä käytä työkalua tarpeettomasti kuormittamattomana.

## SÄILYTÄ NÄMÄ OHJEET.

**VAROITUS:** ÄLÄ anna työkalun helpokäyt- töisyyden (toistuvan käytön aikaansaama) johtaa sinua väärään turvallisuuden tunteeseen niin, että laiminlyöt työkalun turvaohjeiden noudattamisen. VÄÄRINKÄYTTÖ tai tässä käyttöohjeessa ilmoi- tettujen turvamääräysten laiminlyönti voi aiheut- taa vakavia henkilövahinkoja.

### Akkupakettia koskevia tärkeitä turvaohjeita

1. Ennen akun käyttöönottoa tutustu kaikkiin laturissa (1), akussa (2) ja akkukäyttöisessä tuotteessa (3) oleviin varoitusteksteihin.
2. Älä pura tai peukaloi imuria akkupakettia. Se voi johtaa tulipaloon, ylikuumenemiseen tai räjähdykseen.
3. Jos akun toiminta-aika lyhenee merkittävästi, lopeta akun käyttö. Seurauksena voi olla ylikuumeneminen, palovammoja tai jopa räjähdys.
4. Jos akkuneustettä pääsee silmiin, huuhtele puhtaalla vedellä ja hakeudu välittömästi lää- kärin hoitoon. Akkuneuste voi aiheuttaa näön menetyksen.
5. Älä oikosulje akkua.
  - (1) Älä koske akun napoihin millään sähköä johtavalla materiaalilla.
  - (2) Vältä akun oikosulkemista äläkä säilytä akkua yhdessä muiden metalliesineiden, kuten naulojen, kolikoiden ja niin edel- leen kanssa.
  - (3) Älä aseta akkua alttiiksi vedelle tai sateelle.

Oikosulku voi aiheuttaa virtapiikin, yli- kuumentumista, palovammoja tai laitteen rikkoontumisen.

6. Älä säilytä ja käytä työkalua ja akkupakettia paikassa, jossa lämpötila voi nousta 50 °C:een (122 °F) tai korkeammaksi.
7. Älä hävitä akkua polttamalla, vaikka se olisi pahoin vaurioitunut tai täysin loppuun kulunut. Avotuli voi aiheuttaa akun räjähtämisen.
8. Älä naukaa, leikkaa, purista, heitä tai pudota akkupakettia tai iske sitä kovia esineitä vasten. Tällaiset toimet voivat johtaa tulipaloon, ylikuumenemiseen tai räjähdykseen.
9. Älä käytä viallista akkua.
10. Sisältyviä litium-ioni-akkuja koskevat vaarallisten aineiden lainsäädännön vaatimukset. Esimerkiksi kolmansien osapuolten huolintaliik- keiden tulee kaupallisissa kuljetuksissa noudattaa pakkaamista ja merkintöjä koskevia erityisvaati- muksia. Lähetettävän tuotteen valmistelu edellyttää vaaral- listen aineiden asiantuntijan neuvontaa. Huomioi myös mahdollisesti yksityiskohtaisemmat kansalli- set määräykset Akun voimelit liittimet tulee suojata teipillä tai suojuksella ja pakkaaminen tulee tehdä niin, ettei akku voi liikkua pakkauksessa.
11. Kun akkupaketti on hävitettävä, poista se laitteesta ja hävitä se turvallisesti. Hävitä akku paikallisten määräysten mukaisesti.
12. Käytä akkuja vain Makitan ilmoittamien tuot- teiden kanssa. Akkujen asentaminen yhteen- sopimattomiin tuotteisiin voi aiheuttaa tulipalon, liiallisen ylikuumenemisen, räjähdyksen tai akkuneustevuotoja.
13. Jos laitetta ei käytetä pitkään aikaan, akku on poistettava laitteesta.
14. Akkupaketin lämpötila voi käytön aikana ja sen jälkeen nousta niin kuumaksi, että se voi aiheuttaa palovammoja tai lieviä palovammoja. Käsittele kuumia akkupaketteja huolellisesti.
15. Älä kosketa työkalun liittintä välittömästi käy- tön jälkeen, sillä se voi olla riittävän kuuma aiheuttamaan palovammoja.
16. Älä päästä lastuja, pölyä tai maata akkupaketin liittimiin, aukkoihin ja uriin. Se voi johtaa työka- lun ja akkupaketin lämpenemiseen, syttymiseen, purkautumiseen tai toimintahäiriöön, mikä voi aiheuttaa palovammoja tai vammoja.
17. Ellei työkalu tue käyttöä korkeajännitelinjojen lähellä, älä käytä akkupakettia korkeajännite- linjojen lähellä. Se voi johtaa työkalun tai akku- paketin toimintahäiriöön tai rikkoontumiseen.
18. Pidä akku poissa lasten ulottuvilta.

## SÄILYTÄ NÄMÄ OHJEET.

**HUOMIO:** Käytä vain alkuperäisiä Makita- akkuja. Muiden kuin aitojen Makita-akkujen, tai mahdollisesti muutettujen akkujen käyttö voi johtaa akun murtumiseen ja aiheuttaa tulipaloja, henkilö- ja omaisuusvahinkoja. Se mitätöi myös Makita-työkalun ja -laturin Makita-takuun.



## Vihjeitä akun käyttöiän pidentämiseksi

1. Lataa akku ennen kuin se purkautuu täysin. Lopeta aina työkalun käyttö ja lataa akku, jos huomaat työkalun tehon vähenävän.
2. Älä koskaan lataa uudestaan täysin ladattua akkua. Yliilataaminen lyhentää akun käyttöikää.
3. Lataa akku huoneen lämpötilassa välillä 10 °C - 40 °C. Anna kuumen akun jäähtyä ennen lataamista.
4. Irrota akkupaketti työkalusta tai laturista, kun sitä ei käytetä.
5. Lataa akkupaketti, jos et käytä sitä pitkään aikaan (yli kuusi kuukautta).

## TOIMINTOJEN KUVAUS

**⚠️HUOMIO:** Varmista aina ennen säätöjä ja tarkastuksia, että työkalu on sammutettu ja akkupaketti irrotettu.

### Akun asentaminen tai irrottaminen

**⚠️HUOMIO:** Sammuta työkalu aina ennen akun kiinnittämistä tai irrottamista.

**⚠️HUOMIO:** Pidä työkalusta ja akusta tiukasti kiinni, kun irrotat tai kiinnität akkua. Jos akkupaketti tai työkalu putoaa, ne voivat vaurioitua tai aiheuttaa tapaturman.

Akkupaketti asetetaan paikalleen sovittamalla akkupaketin kieleke rungon uraan ja työntämällä se sitten paikalleen. Työnnä se pohjaan asti niin, että kuulet sen napsahdavan paikoilleen. Jos näet kuvan mukaisen punaisen ilmaisimen, lukitus ei ole täysin pitävä.

Irrota akku painamalla akun etupuolella olevaa painiketta ja vetämällä akku ulos työkalusta.

- **Kuva1:** 1. Punainen ilmaisimien 2. Painike  
3. Akkupaketti

**⚠️HUOMIO:** Työnnä akkupaketti aina pohjaan asti, niin että punainen ilmaisimien ei enää näy. Jos akkupaketti ei ole kunnolla paikallaan, se voi pudota työkalusta ja aiheuttaa vammoja joko sinulle tai sivullisille.

**⚠️HUOMIO:** Älä käytä voimaa akun asennuksessa. Jos akku ei liu'u paikalleen helposti, se on väärässä asennossa.

## Akun jäljellä olevan varaustason ilmaisin

### Vain akkupaketeille ilmaisimella

Painamalla tarkistuspainiketta saat näkyviin akun jäljellä olevan varausten. Merkkivalot palavat muutaman sekunnin ajan.

- **Kuva2:** 1. Merkkivalot 2. Tarkistuspainike

Merkkivalot			Akussa jäljellä olevan varaus
Palaa	Pois päältä	Viikkuu	
■ ■ ■ ■			75% - 100%
■ ■ ■ □			50% - 75%
■ ■ □ □			25% - 50%
■ □ □ □			0% - 25%
▬ □ □ □			Lataa akku.
■ ■ □ □	↑ ↓	□ □ ■ ■	Akussa on saattanut olla toimintahäiriö.

**HUOMAA:** Ilmoitettu varaustaso voi erota hieman todellisesta varaustasosta sen mukaan, millaisissa oloissa ja missä lämpötilassa laitetta käytetään.

**HUOMAA:** Ensimmäinen (vasemmanpuoleisin) merkkivalo vilkkuu, kun akun suojausjärjestelmä on toiminnassa.

## Työkalun/akun suojausjärjestelmä

Työkalu on varustettu työkalu/akun suojausjärjestelmällä. Tämä järjestelmä pidentää työkalun ja akun käyttöikää katkaisemalla automaattisesti moottorin virran. Työkalu pysähtyy automaattisesti kesken käytön, jos työkalussa tai akussa ilmenee jokin seuraavista tilanteista:

### Ylikuormitussuoja

Kun työkalua käytetään tavalla, mikä saa sen kuluttamaan epätavallisen suuren määrän virtaa, työkalu pysähtyy automaattisesti ilman mitään merkkivaloa tai ilmaisinta. Katkaise tässä tilanteessa työkalusta virta ja lopeta ylikuormitustilan aiheuttanut käyttö. Käynnistä sitten työkalu uudelleen kytkemällä siihen virta.

### Ylikuumenemissuoja

Kun laite tai akku ylikuumentuu, laite pysähtyy automaattisesti. Anna silloin laitteen tai akun jäähtyä, ennen kuin kytket laitteen uudelleen virran.

**HUOMAA:** Jos laite on ylikuumentunut, lamppu alkaa vilkkua.

## Ylipurkautumissuoja

Kun akun varaus on riittämätön, työkalu pysähtyy automaattisesti. Irrota silloin akku työkalusta ja lataa se.

## Suojaus muilta haitallisilta tapahtumilta

Suojausjärjestelmä on suunniteltu suojaamaan työkalu myös muilta tapahtumilta, jotka voisivat vahingoittaa työkalua, ja pysäyttämään työkalu automaattisesti tällaisissa tapauksissa. Kun työkalu tai sen toiminta on pysähtynyt tilapäisesti tai se on pysähtynyt, poista pysäytyksen syyt seuraavien vaiheiden mukaisesti.

1. Käynnistä työkalu uudelleen sammuttamalla se ja kytkemällä se sitten uudelleen päälle.
2. Lataa akut tai vaihda ne ladattuihin akkuihin.
3. Anna työkalun ja akkujen jäähtyä.

Jos suojausjärjestelmän nollaaminen ei korjaa tilannetta, ota yhteys paikalliseen Makita-huoltoon.

## Kytkimen käyttäminen

**VAROITUS:** Tarkista aina ennen akkupaketin asettamista työkaluun, että liipaisinkytkin kytkeytyy oikein ja palaa ”OFF”-asentoon, kun se vapautetaan.

Käynnistä työkalu vetämällä liipaisinkytkintä. Työkalun nopeus kasvaa liipaisinkytkimen kohdistuvaa voimaa lisättäessä. Pysäytä vapauttamalla liipaisinkytkin.

► **Kuva3:** 1. Liipaisinkytkin

## Etulampun sytyttäminen

**HUOMIO:** Älä katso suoraan lamppuun tai valonlähteeseen.

Lamppu syttyy, kun painat liipaisinkytkintä. Lamppu palaa niin kauan kuin liipaisinkytkintä painetaan. Lamppu sammuu noin 10 sekunnin kuluttua liipaisinkytkimen vapauttamisesta.

► **Kuva4:** 1. Lamppu

**HUOMAA:** Pyyhi lika pois linssistä kuivalla liinalla. Varo naarmuttamasta linssiä, ettei valoteho laske.

**HUOMAA:** Kun työkalu on ylikuumentunut, merkkivalo vilkkuu. Tässä tapauksessa sinun tulee vapauttaa liipaisinkytkin ja antaa työkalun/akun jäähtyä ennen kuin jatkat työtä.

**HUOMAA:** Etulamppua ei voi käyttää, kun työkaluun on asennettu pölynkeräysjärjestelmä (valinnainen lisävaruste).

## Pyörimissuunnan vaihtokytkimen toiminta

**HUOMIO:** Tarkista aina pyörimissuuntaa ennen käyttöä.

**HUOMIO:** Käytä pyörimissuunnan vaihtokytkintä vasta sen jälkeen, kun kone on lakannut kokonaan pyörimästä. Pyörimissuunnan vaihto koneen vielä pyöriessä voi vahingoittaa sitä.

**HUOMIO:** Aina kun konetta ei käytetä, käännä pyörimissuunnan vaihtokytkin keskiasentoon.

Työkalussa on pyörimissuunnan vaihtokytkin. Jos haluat koneen pyörivän myötäpäivään, paina vaihtokytkintä A-puolelta ja jos vastapäivään, paina sitä B-puolelta.

Jos pyörimissuunnan vaihtokytkin on keskiasennossa, liipaisinkytkin lukittuu.

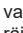
► **Kuva5:** 1. Pyörimissuunnan vaihtokytkimen vipu

## Toiminnon valitseminen

**HUOMAUTUS:** Älä liikuta toimintatilan valintanappia, kun työkalu on käynnissä. Työkalu voi rikkoutua.


**HUOMAUTUS:** Estät toimintatilan vaihtomekanismin kulumisen, kun varmistat, että toimintatilan valintanappi on aina selvästi jossakin toimintatilan asennoista.

## Poraus iskutoiminnolla

Betoniin, muuriin, jne. poraamiseksi pyöritä toimintatilan vaihtonappia  symbolia kohti. Käytä kovametalliterästä poranterää.

► **Kuva6:** 1. Toimintatilan valintanappi

## Vain poraus

Kun poraat puuta, metallia tai muovia, siirrä toimintatilan vaihtovipu  symbolia kohti. Käytä kieräterää tai puun poraukseen tarkoitettua terää.

► **Kuva7:** 1. Toimintatilan valintanappi

## Sähköinen toiminta

Laite on varustettu sähköisillä toimintoilla helppokäyttöisyyttä ajatellen.

- Sähköjarru  
Tämä työkalu on varustettu sähköjarrulla. Jos työkalu ei toistuvasti pysähdy nopeasti liipaisinkytkimen vapautuksen jälkeen, huollata työkalu Makitan huoltopalvelussa.
- Vakionopeuden säätö  
Vakionopeuden säätö mahdollistaa vakiopyörimisnopeuden kuormitusolosuhteista riippumatta.

# KOKOONPANO

**⚠HUOMIO:** Varmista aina ennen mitään työkalulle tehtäviä toimenpiteitä, että se on sammutettu ja akku irrotettu.

## Sivukahva (apukahva)

**⚠HUOMIO:** Käytä aina sivukahvaa käyttöturvallisuuden varmistamiseksi.

**⚠HUOMIO:** Varmista sivukahvan asentamisen tai säätämisen jälkeen, että sivukahva on tukevasti kiinni niin, että työkalun ulkonemat ovat täysin kiinni sivukahvan urissa.

Sivukahva asennetaan seuraavien ohjeiden mukaisesti.

1. Löysää sivukahvan siipiruuvia.

► **Kuva8:** 1. Siipiruuvi

2. Asenna sivukahva siten, että kahvassa olevat urat osuvat työkalun ulkonemiin samalla, kun painat siipiruuvia.

► **Kuva9:** 1. Siipiruuvi

3. Kiristä siipiruuvi niin, että kahva kiinnittyy paikalleen. Kahva voidaan kiinnittää haluttuun kulmaan.

## Poranterän kiinnittäminen tai irrottaminen

### Voitele

Puhdista terän karanpää ja levitä siihen rasvaa ennen terän asentamista.

Sivele terän karanpään hieman rasvaa (0,5–1 g) ennen käyttöä. Tämä istukan voitelu takaa juohevan toiminnan ja pidentää käyttöikää.

► **Kuva10:** 1. Karanpää 2. Voitele

Työnnä poranterä työkaluun. Kierrä poranterää ja työnnä sitä, kunnes se kytkeytyy työkaluun.

Poranterän asentamisen jälkeen varmista, että se on lukittuna paikalleen yrittämällä vetää sitä irti työkalusta.

► **Kuva11:** 1. Poranterä

Irrota poranterä painamalla istukan suojus täysin alas ja vetämällä poranterä irti.

► **Kuva12:** 1. Poranterä 2. Istukan suojus

## Syvyystulkki

Syvyystulkki auttaa saman syvyisten reikien poraamisessa.

Pidä lukituspainiketta painettuna ja työnnä syvyystulkki reikään. Varmista, että syvyystulkin hammastettu sivu on kohti merkintää.

► **Kuva13:** 1. Syvyystulkki 2. Lukituspainike 3. Merkinnät 4. Hammastettu sivu

Säädä syvyystulkki siirtämällä sitä eteen- tai taaksepäin samalla, kun painat lukituspainiketta. Lukitse syvyystulkki paikalleen vapauttamalla lukituspainike.

**HUOMAA:** Varmista, että syvyysmittari ei kosketa työkalun runkoa sen kiinnittämisen aikana.

## Pölykorkki

### Lisävaruste

Pölykorkki estää pölyn pääsyn laitteeseen ja suojaa poraajaa, kun porataan yläpuolella olevia kohteita. Kiinnitä pölykorkki terään kuvan osoittamalla tavalla. Pölykorkki voidaan kiinnittää seuraavan kokoiisiin teriin.

Malli	Terän halkaisija
Pölykorkki 5	6 mm - 14,5 mm
Pölykorkki 9	12 mm - 16 mm

► **Kuva14:** 1. Pölykorkki

## Pölykorkkisarja

### Lisävaruste

## Pölykorkkisarjan asentaminen

**HUOMAUTUS:** Älä käytä pölykorkkisarjaa metallia tai muuta vastaavaa materiaalia porattaessa. Tämä voi vahingoittaa pölykorkkisarjaa pienistä metallipilyistä tai vastaavista muodostuneesta lämmöstä johtuen. Älä asenna tai irrota pölykorkkisarja poranterän ollessa asennettuna työkaluun. Tämä voi vahingoittaa pölykorkkisarjaa ja aiheuttaa pölyvuojoja.

Jos työkalussa on poranterä, irrota se ennen pölykorkkisarjan asentamista.

1. Löysää sivukahvan siipiruuvia.

2. Asenna pölykorkkisarja niin, että pölykorkin leuat osuvat sivukahvan uriin.

► **Kuva15:** 1. Pölykorkkisarja 2. Sivukahva

3. Asenna sivukahva niin, että kahvan ura sopii työkalun ulkonemaan. Kiinnitä sivukahva paikalleen kiristämällä siipiruuvi.

► **Kuva16:** 1. Sivukahva 2. Ura 3. Ulkonema

**HUOMAA:** Jos liität pölynimurin pölykorkkisarjaan, irrota pölysuojus ennen liittäntää.

► **Kuva17:** 1. Pölysuojus

## Poranterän irrottaminen

Irrota poranterä painamalla istukan suojus täysin alas ja vetämällä poranterä irti.

► **Kuva18:** 1. Poranterä 2. Istukan suojus

## Pölykorkkisarjan irrottaminen

Irrota pölykorkkisarja toimimalla seuraavasti.

1. Löysää sivukahvan siipiruuvia. Irrota sivukahva työkalusta.

► **Kuva19:** 1. Siipiruuvi

2. Pidä kiinni pölykorkin kannasta ja vedä se pois.

**HUOMAA:** Jos pölykorkkisarjan irrottamisessa on vaikeuksia, irrota pölykorkin hampaat yksitellen kääntelemällä pölykorkin kanta ja vetämällä sitä.

► **Kuva20:** 1. Pölykorkki

**HUOMAA:** Jos pölykorkkisarjan korkkiosa irtoaa, aseta se takaisin alkuperäiselle paikalleen.

Aseta korkki takaisin alkuperäiselle paikalleen noudattamalla alla olevia ohjeita.

1. Kierrä paljetta vastapäivään ja irrota se pölykorkkisarjan kytkentäosasta, kun palje ei ole lukittuna.  
► **Kuva21:** 1. Palje 2. Kytkenäosa
2. Aseta korkki takaisin paikoilleen niin, että sen tekstipuoli tulee ylöspäin.  
► **Kuva22:** 1. Korkki 2. Kytkenäosa
3. Varmista, että korkkia ympäröivät urat asettuvat hyvin kytkentäosan yläaikon reunataitoksiin.

## Työkaluripustin

### Lisävaruste

**HUOMIO:** Älä käytä vaurioitunutta työkaluripustinta ja ruuvia. Tarkista ripustin aina ennen käyttöä vaurioiden, murtumien ja vääntymien varalta ja varmista, että ruuvi on kiristetty.

**HUOMIO:** Asenna työkaluripustin vakaalle pöydälle tai muulle pinnalle tai irrota työkaluripustin. Käytä vain työkaluripustimen mukana toimitettua ruuvia. Kun työkaluripustin on asennettu, varmista, että sen asennus ja ruuvit ovat pitävät.

**HUOMIO:** Älä irrota akkupakettia laitteesta, kun laite on ripustettuna. Laite voi kaatua, jos ruuvia ei ole kiristetty.

Työkaluripustin on tarkoitettu turvaliinan (liekaköyden) kiinnittämiseen.

Irrota kiinnikeulokkeen ruuvinreiässä oleva kumikorkki ennen työkaluripustimen asentamista. Aseta neliömutteri kiinnikkeen alle. Kiristä työkaluripustin paikalleen ruuvilla.

- **Kuva23:** 1. Kumikorkki 2. Kiinnikeuloke  
3. Neliömutteri 4. Työkaluripustin 5. Ruuvi

## Turvaliinan (liekaköyden) työkaluripustimeen kiinnittämiseen liittyvät varoitukset

**Korkealla työskentelyyn liittyvät varoitukset**  
Lue huolellisesti kaikki turvallisuusvaroitukset ja käyttöohjeet. Varoitusten ja ohjeiden noudattamatta jättäminen voi aiheuttaa vakavia vammoja.

1. Pidä työkalu aina kiinnitetynä turvaliinaan korkealla työskennellessä. Käytettävän turvaliinan enimmäispituus on 2 m. Turvaliinan (liekaköyden) suurin sallittu pudotuskorkeus ei saa olla yli 2 m.
2. Käytä vain laitetyypille sopivia turvaliinoja, jotka kestävät vähintään 6,0 kg:n painon.
3. Älä kiinnitä laitteen turvaliinan toista päätä vartaloosi tai liikkuviin kohteisiin. Akkuroi turvaliina kiinteään rakenteeseen, joka kestää laitteen putoamisvoiman.
4. Varmista ennen käyttöä, että turvaliina on kiinnitetty huolellisesti kummastakin päästä.

5. Tarkista ennen käyttöä, että sekä laite että turvaliina (myös kangas ja ompleet) ovat ehjiä ja että ne toimivat oikein. Älä käytä niitä, jos ne ovat vaurioituneet tai eivät toimi oikein.
  6. Älä kierrä turvaliinaa terävä- tai karkeareunaisten esineiden ympärille tai päästä sitä koskettamaan niitä.
  7. Kiinnitä turvaliinan toinen pää työskentelyalueen ulkopuolelle niin, että turvaliina pysäyttää putoavan laitteen varmasti.
  8. Kiinnitä turvaliina niin, että laite liikkuu pois päin käyttäjistä pudotessaan. Putoavien laitteiden aiheuttama turvaliinan kiristyminen voi aiheuttaa vammoja tai tasapainon pettämisen.
  9. Älä käytä liikkuvien osien tai käynnissä olevien koneiden lähellä. Ne voivat aiheuttaa pusertumis- tai kiinnijääntivaaran.
  10. Älä kannata laitetta kiinnitysmekanismista tai turvaliinasta.
  11. Siirrä laite kädestäsi toiseen vain, kun asentosi on täysin tasapainoinen.
  12. Älä kiinnitä laitteeseen turvaliinoja niin, että ne estävät kytkimien tai (mahdollisten) lukitusten oikean toiminnan.
  13. Vältä turvaliinaan sotkeutumista.
  14. Pidä turvaliina pois laitteen porausalueelta.
  15. Käytä lukittuvaa (monivaiheista ja kiinni ruuvattavaa) kiinnityssolkea. Älä käytä yksivaiheisia jousitoimisia kiinnityssolkia.
  16. Mikäli laite putoaa, se on merkittävä ja poistettava käytöstä, minkä jälkeen se on tarkistettava Makitan tehtaalla tai valtuutetussa huoltoilikkeessä.
  17. Älä ripusta työkalua vyötäröllesi. Kuumentunut työkalu ja sen lisävaruste saattavat koskettaa ihoasi ja aiheuttaa palovamman.
- **Kuva24:** 1. Työkaluripustin 2. Turvaliina ( liekaköyden)

## PÖLYNKERÄYSJÄRJESTELMÄ

### Lisävaruste

Pölynkeräysjärjestelmä on tarkoitettu pölyn tehokkaaseen keräämiseen betonia porattaessa.

- **Kuva25:** 1. Pölynkeräysjärjestelmä

**HUOMIO:** Pölynkeräysjärjestelmä on tarkoitettu vain betonin poraamiseen. Älä käytä pölynkeräysjärjestelmää metallin tai puun poraamiseen.

**HUOMIO:** Käytettäessä työkalua pölynkeräysjärjestelmän kanssa, varmista, että suodatin on kiinnitetty pölynkeräysjärjestelmän pölyjen hengittämisen välttämiseksi.

**HUOMIO:** Tarkista ennen pölynkeräysjärjestelmän käyttämistä, että suodatin ei ole vaurioitunut ja että sisäputkessa ei ole pölyä eikä vierasta ainetta. Muussa tapauksessa seurauksena voi olla altistuminen pölylle hengityksen kautta.

**HUOMIO:** Pölynkeräysjärjestelmä kerää muodostuneen pölyn huomattavalla nopeudella, mutta kaikkia pölyjä ei voida kerätä.

**HUOMAUTUS:** Älä käytä pölynkeräysjärjestelmää avartamiseen tai taltaamiseen.

**HUOMAUTUS:** Älä käytä pölynkeräysjärjestelmää metallin tai puun poraamiseen.

Pölynkeräysjärjestelmä on tarkoitettu vain betonille.

**HUOMAUTUS:** Älä käytä pölynkeräysjärjestelmää märän betonin poraamiseen tai käytä tätä järjestelmää märissä olosuhteissa. Muussa tapauksessa voi seurauksena olla käyttöhäiriöitä.

## Asennus ja irrotus

**HUOMAUTUS:** Ennen kuin asennat pölynkeräysjärjestelmän, puhdista työkalun ja pölynkeräysjärjestelmän liitososat. Liitososiin jäänyt vierasaine voi vaikeuttaa pölynkeräysjärjestelmän asentamista. Jos ilmakehässä on pölyä, se kulkeutuu työkaluun ja aiheuttaa ilmapvirran katkeamisen tai työkalun rikkoutumisen.

Asenna pölynkeräysjärjestelmä asettamalla työkalu kokonaan pölynkeräysjärjestelmään, kunnes työkalu lukittuu paikalleen napsahdusääntä vaimaasti.

► Kuva26

Irrota pölynkeräysjärjestelmä vetämällä työkalua ylös samalla, kun painat vapautuspainiketta.

► Kuva27: 1. Vapautuspainike

## Pölynkeräysjärjestelmän suutinasennon säätäminen

**HUOMIO:** Älä osoita suuttimella itseäsi tai muita, kun irrotat suuttimen painamalla ohjaimen säätöpainiketta.

Liu'uta suuttimen ohjainta sisään- ja ulospäin pitämällä ohjaimen säätöpainiketta painettuna ja vapautaa säätöpainike asennossa, jossa poranterän kärki on juuri suuttimen etupinnan takana.

► Kuva28: 1. Ohjain 2. Ohjaimen säätöpainike  
3. Poranterän kärki 4. Suuttimen etupinta

## Poraussyvyyden säätö

Poraussyvyttä voi säätää muuttamalla etäisyyttä poraussyvyyden säätöpainikkeeseen ja suuttimen ohjaimen tukivarren välillä. Paina ja pidä painettuna poraussyvyyden säätöpainiketta ja liu'uta se haluamaasi kohtaan.

► Kuva29: 1. Poraussyvyyden säätöpainike  
2. Suuttimen ohjain 3. Suuttimen ohjaimen tukivarsi 4. Poraussyvydet

## Pölyn tampaaminen suodattimesta

**HUOMIO:** Älä käännä pölylokeron säädintä, kun pölylokeron on irrotettu pölynkeruujärjestelmästä. Muutoin seurauksena voi olla pölylle altistuminen hengityksen kautta.

**HUOMIO:** Sammuta laite aina, kun käännät pölylokeron säädintä. Jos säädintä käännetään laitteen ollessa käynnissä, laite voi karata hallinnasta.

Pölykotelon sisällä olevaan suodattimeen kertyneen pölyn tampaaminen auttaa säilyttämään imutehon ja vähentämään pölyn poistotarvetta.

Käännä pölykotelon säädintä kolmesti aina, kun pölyä on kertynyt 50 000 mm<sup>3</sup> tai kun tunnet imutehon heikentyneen.

**HUOMAA:** 50 000 mm<sup>3</sup> pölyä vastaa 10:n läpimitaltaan 10 mm:n ja syvyydeltään 65 mm:n reiän poraamista.

► Kuva30: 1. Pölykotelo 2. Säädin

## Pölyn hävittäminen

**HUOMIO:** Varmista aina ennen mitään työkälylle tehtäviä toimenpiteitä, että se on sammutettu ja akku irrotettu.

**HUOMIO:** Käytä pölysuojainta pölyjen hävittämisessä.

**HUOMIO:** Varmista pölyä hävittäessäsi, että työkalu on pysähtynyt täysin.

**HUOMIO:** Tyhjennä pölysäiliö säännöllisesti ennen sen täyttymistä. Muussa tapauksessa pölynkeräysteho voi heikentyä ja aiheuttaa pölyn sisäänhengittämisen.

**HUOMIO:** Pölynkeräysteho laskee, jos pölysäiliön suodatin on tukossa. Vaihda suodatin uuteen viitteellisesti noin 200 pölysäiliön tyhjennyksen jälkeen. Muussa tapauksessa voi seurauksena olla pölylle altistuminen hengityksen kautta.

1. Irrota pölysäiliö ja paina samanaikaisesti pölysäiliön vipua.

► Kuva31: 1. Vipua

2. Avaa pölysäiliön suoja.

► Kuva32: 1. Suoja

3. Hävitä pöly ja puhdista suodatin tämän jälkeen.

► Kuva33

**HUOMAUTUS:** Kun puhdistat suodatinta, irrota pöly taputtamalla suodatinkotelo varovasti käsin. Älä taputa suodatinta suoraan, kosketa sitä harjalla tai vastaavalla tai puhalla siihen paineilmaa. Se voi vahingoittaa suodatinta.

## Pölysäiliön suodattimen vaihto

1. Irrota pölysäiliö ja paina samanaikaisesti pölysäiliön vipua.

► Kuva34: 1. Vipua

2. Avaa pölysäiliön suodatinkotelo.

► Kuva35: 1. Suodatinkotelo

3. Irrota suodatin suodatinkotelosta.

► Kuva36: 1. Suodatin 2. Suodatinkotelo

4. Aseta uusi suodatin suodatinkoteloon ja kiinnitä sitten suodatinkotelo paikalleen.

5. Sulje pölysäiliön suojuus ja kiinnitä pölysäiliö sitten pölynkeräysjärjestelmään.

## Tiivistekorkin vaihto

1. Aseta tasapäinen ruuvitalta yhteen suutinpään sivulla olevaan uraan. Kallista tasapäistä ruuvitaltaa kulmassa niin, että se painaa tiivistekorkin kuutiosalpa ja napsauttaa sen irti. Kuori sitten tiivistekorkin kumi-reuna pois suutinpään aukon kehältä.  
► **Kuva37:** 1. Tiivistekorkki 2. Kuutiosalpa 3. Ura 4. Suutinpää
2. Aseta yksi uuden tiivistekorkin kuutiosalvoista suutinpään uran alaosaan niin, että tiivistekorkin syvennetty puoli tulee ulospäin.  
► **Kuva38:** 1. Kuutiosalvat 2. Uran alaosa 3. Tiivistekorkki 4. Syvennetty puoli
3. Aseta toinen salpa vastakkaiselle puolelle samalla, kun asetat tiivistekorkin suutinpäähän tiiviisti.  
► **Kuva39:** 1. Tiivistekorkki 2. Kuutiosalpa 3. Uran alaosa 4. Suutinpää 5. Reunat
4. Aseta tiivistekorkin kumireuna varovasti suutinpään kehälle alhaalta ylöspäin.  
► **Kuva40:** 1. Kumireuna 2. Tiivistekorkki 3. Suutinpää

## TYÖSKENTELY

**▲HUOMIO:** Käytä aina sivukahvaa (apukahvaa) ja pidä työkalusta tiukasti toinen käsi sivukahvalla ja toinen kytkinkahvalla työskentelyn aikana.

**▲HUOMIO:** Varmista aina, että työkalupale on kiinnitetty luotettavasti paikalleen ennen työkalun käyttöä.

**▲HUOMIO:** Älä vedä laitetta irti voimalla, vaikka sen terä juuttuisi kiinni. Hallinnan menetys voi aiheuttaa henkilövahinkoja.


**HUOMAUTUS:** Ennen kuin käytät työkalun pölynkeräysjärjestelmää, lue sitä käsittelevä osio.

**HUOMAA:** Jos akkupatruunassa on alhainen lämpötila, työkalun täyttä kapasiteettia ei ehkä saavuteta. Tässä tapauksessa lämmitä akkupatruunaa käyttämällä kuormittamatonta työkalua hetken ajan työkalun täyden kapasiteetin saavuttamiseksi.

► **Kuva41**

## Iskuporatoiminta

**▲HUOMIO:** Työkaluun/poranterään kohdistuu valtava voima, kun terä menee läpi työkalupaleesta, kun reikä tukkeutuu lastuista ja purusta tai kun terä osuu betoniraidoitukseen. **Käytä aina sivukahvaa (apukahvaa) ja pidä työkalusta tiukasti toinen käsi sivukahvalla ja toinen kytkinkahvalla työskentelyn aikana.** Jos näin ei tehdä, seurauksena voi olla työkalun hallinnan menetys ja mahdollisesti vakava vamma.

Kierrä toimintatilan valintanuppia symbolia  kohti. Aseta poranterä haluttuun kohtaan ja vedä liipaisinkytkintä. Kohdista syöttövoima kytkinkahvaan (pääkahvaan) toimintatarkkuudella ja -teholla ja pidä työkalu tasapainossa pitäen sivukahvasta (lisäkahvasta). Pidä työkalu paikallaan ja estä sen liukumista pois aukosta.

Jos reikä tukkeutuu lastuista ja purusta, älä käytä lisävoimaa. Anna sen sijaan työkalun käydä joutokäynnillä ja vedä terä osittain ulos reiästä. Toista tämä useampaan kertaan, jolloin reikä puhdistuu ja voit jatkaa poraamista.

**HUOMAA:** Terä voi pyöriä epäkeskoisesti, jos työkalua käytetään ilman kuormaa. Varsinaisen porauksen aikana työkalu keskittää itsensä automaattisesti. Tämä ei vaikuta porauksen tarkkuuteen.

## Poraus puuhun tai metalliin


**▲HUOMIO:** Pidä työkalu tukevassa otteessa ja ole varovainen, kun terä alkaa porautua läpi työkalupaleesta. Työkaluun/terään kohdistuu valtava voima, kun terä porautuu läpi.

**▲HUOMIO:** Juuttuneen terän voi irrottaa vaihtamalla terän pyörimissuuntaa ja peruuttaa. Pidä kuitenkin työkalusta lujasti kiinni, sillä se voi tökätä taaksepäin äkkinäisesti.

**▲HUOMIO:** Kiinnitä työkalupaleet aina viilapenkkiin tai vastaavaan pidikkeeseen.

**HUOMAUTUS:** Älä koskaan käytä poraamiseen "iskutoimintaa" teräistukan ollessa asennettuna työkaluun. Poraistukka voi vaurioitua. Poraistukka voi myös tulla pois kun työkalun pyörimissuuntaa muutetaan.

**HUOMAUTUS:** Työkalun painaminen liian voimakkaasti ei nopeuta poraamista. Päinvastoin liiallinen paine vain tylsyyttää poranterää, hidastaa työtä ja lyhentää työkalun käyttöikää.

Kierrä toimintatilan valintanuppia  symbolia kohti. Kiinnitä istukan sovitin kiilattomaan poraistukkaan, mihin voidaan asentaa 1/2"-20 koon ruuvi. Tämän jälkeen asenna ne työkaluun. Asennuksen aikana katso asennusohjeet luvusta "Poranterän kiinnittäminen tai irrottaminen".

► **Kuva42:** 1. Teräistukkalaite 2. Istukan sovitin

## Puhallin

### Lisävaruste

Porauksen jälkeen puhdista pöly reiästä puhaltimella.  
► **Kuva43**

## Pölykorkkisarjan käyttö

### Lisävaruste

Sovita pölykorkkisarja kantta vasten työkalun käytön aikana.

► **Kuva44**

**HUOMAUTUS:** Älä käytä pölykorkkisarjaa metallia tai muuta vastaavaa materiaalia porattaessa. Tämä voi vahingoittaa pölykorkkisarjaa pienistä metallipölyistä tai vastaavista muodostuneesta lämmöstä johtuen.

**HUOMAUTUS:** Älä asenna tai irrota pölykorkkisarjaa poranterän ollessa asennettuna työkaluun. Tämä voi vahingoittaa pölykorkkisarjaa ja aiheuttaa pölyvuotoja.

## KUNNOSSAPITO

**⚠HUOMIO:** Varmista aina ennen tarkastusta tai huoltoa, että työkalu on sammutettu ja akku irrotettu.

**HUOMAUTUS:** Älä koskaan käytä bensiiniä, ohenteita, alkoholia tai tms. aineita. Muutoin pinta voi halkeilla tai sen värit ja muoto voivat muuttua. Muutoin laitteeseen voi tulla värjäytyimiä, muodon vääristymiä tai halkeamia.

Tuotteen TURVALLISUUDEN ja LUOTETTAVUUDEN takaamiseksi korjaukset, muut huoltotyöt ja säädöt on teetettävä Makitan valtuutetussa huoltopisteessä Makitan varaosia käyttäen.

## LISÄVARUSTEET

**⚠HUOMIO:** Seuraavia lisävarusteita tai laitteita suositellaan käytettäväksi tässä ohjeessa kuvatun Makita-työkalun kanssa. Muiden lisävarusteiden tai laitteiden käyttö voi aiheuttaa henkilövahinkoja. Käytä lisävarusteita ja -laitteita vain niiden käyttötarkoituksen mukaisesti.

Jos tarvitset apua tai yksityiskohtaisempia tietoja seuraavista lisävarusteista, ota yhteys paikalliseen Makitan huoltoon.

- Kovametallikärkiset poranterät (SDS-Plus kovametallikärkiset terät)
- Istukan sovitin
- Pikaistukka
- Terärasva
- Syvyystulkki
- Puhallin
- Pölykorkki
- Pölykorkkisarja
- Pölynkeräysjärjestelmä
- Työkaluripustin
- Aito Makitan akku ja laturi

**HUOMAA:** Jotkin luettelossa mainitut varusteet voivat sisältyä työkalun toimitukseen vakiovarusteina. Ne voivat vaihdella maittain.

## SPECIFIKATIONER

<b>Model:</b>		<b>DHR183</b>
Borekapacitet	Beton	18 mm
	Stål	13 mm
	Træ	24 mm
Hastighed uden belastning		0 - 1.100 min <sup>-1</sup>
Slag pr. minut		0 - 5.000 min <sup>-1</sup>
Samlet længde (med BL1860B)		288 mm
Mærkespænding		18 V DC
Nettovægt		2,1 - 2,9 kg

### Ekstraudstyr

<b>Model:</b>		<b>DX16</b>
Sugeevne		0,24 l/min
Driftsslaglængde		Op til 105 mm
Passende borebit		Op til 165 mm
Nettovægt		0,77 kg

- På grund af vores kontinuerlige forsknings- og udviklingsprogrammer kan hosstående specifikationer blive ændret uden varsel.
- Specifikationer kan variere fra land til land.
- Vægten kan være anderledes afhængigt af tilbehøret, inklusive akkuen. Den letteste og tungeste kombination i henhold til EPTA-procedure 01/2014 er vist i tabellen.

### Anvendelig akku og oplader

Akku	BL1815N / BL1820B / BL1830B / BL1840B / BL1850B / BL1860B
Oplader	DC18RC / DC18RD / DC18RE / DC18SD / DC18SE / DC18SF / DC18SH / DC18WC

- Nogle af de akkuer og opladere, der er angivet ovenfor, er muligvis ikke tilgængelige, afhængigt af hvilket område du bor i.

**⚠ ADVARSEL:** Brug kun de akkuer og opladere, der er angivet ovenfor. Brug af andre akkuer og opladere kan medføre personskade og/eller brand.

### Anbefalet ledningstilsluttet strømforsyningskilde

Bærbær strømforsyning	PDC01
-----------------------	-------

- Den eller de ovenfor anførte ledningstilsluttede strømforsyningskilder er muligvis ikke tilgængelige, afhængigt af hvilket område du bor i.
- Inden du bruger den ledningstilsluttede strømforsyningskilde, skal du læse instruktionen og advarselsmarkeringerne på dem.

### Tilsigtet brug

Denne maskine er beregnet til slagboring og boring i mursten, beton og sten.

Den er også egnet til boring uden slag i træ, metal, keramik og plastik.

### Støj

Det typiske A-vægtede støjniveau bestemt i overensstemmelse med EN62841-2-6:

#### Model DHR183

Lydtryksniveau ( $L_{pA}$ ): 90 dB (A)

Lydeffektniveau ( $L_{WA}$ ): 101 dB (A)

Usikkerhed (K): 3 dB (A)

#### Model DHR183 med DX16

Lydtryksniveau ( $L_{pA}$ ): 90 dB (A)

Lydeffektniveau ( $L_{WA}$ ): 101 dB (A)

Usikkerhed (K): 3 dB (A)

**BEMÆRK:** De(n) angivne støjemissionsværdi(er) er målt i overensstemmelse med en standardtestmetode og kan anvendes til at sammenligne en maskine med en anden.

**BEMÆRK:** De(n) angivne støjemissionsværdi(er) kan også anvendes i en præliminær eksponeringsvurdering.



**⚠ ADVARSEL:** Bær høreværn.

**⚠ ADVARSEL:** Støjemissionen under den faktiske anvendelse af maskinen kan være forskellig fra de(n) angivne værdi(er), afhængigt af den måde hvorpå maskinen anvendes, især den type arbejdsemne der behandles.

**⚠ ADVARSEL:** Sørg for at identificere de sikkerhedsforskrifter til beskyttelse af operatøren, som er baseret på en vurdering af eksponering under de faktiske brugsforhold (med hensyntagen til alle dele i brugscyklussen, f.eks. de gange, hvor maskinen er slukket, og når den kører i tomgang i tilgift til afbrydertiden).

## Vibration

Følgende tabel viser vibrationens totalværdi (tre-aksial vektorsum) bestemt i overensstemmelse med den gældende standard.

Arbejdstilstand	Vibrationsemission	Usikkerhed (K)	Gældende standard/ prøvningsbeti- ngelse
Slagboring i beton (a <sub>n</sub> , H <sub>D</sub> )	7,5 m/s <sup>2</sup>	1,5 m/s <sup>2</sup>	EN62841-2-6
	7,5 m/s <sup>2</sup>	1,5 m/s <sup>2</sup>	Anbefalet praktisk anvendelse*
Slagboring i beton med DX16 (a <sub>n</sub> , H <sub>D</sub> )	7,6 m/s <sup>2</sup>	1,7 m/s <sup>2</sup>	EN62841-2-6
	7,7 m/s <sup>2</sup>	1,5 m/s <sup>2</sup>	Anbefalet praktisk anvendelse*

\* Prøvningsbetingelsen for anbefalet praktisk anvendelse opfylder EN 62841-2-6, bortset fra følgende punkter:

- Tilspændingskraft påføres kontakthåndtaget (hovedhåndtag) for at opnå arbejdsnøjagtighed og effektivitet.
- Sidehåndtaget/grebet (ekstra håndtag) holdes fast for at holde maskinens balance.

**BEMÆRK:** De(n) angivne totalværdi(er) for vibration er målt i overensstemmelse med en standardtestmetode og kan anvendes til at sammenligne en maskine med en anden.

**BEMÆRK:** De(n) angivne totalværdi(er) for vibration kan også anvendes i en præliminær eksponeringsvurdering.

**⚠ ADVARSEL:** Vibrationsemissionen under den faktiske anvendelse af maskinen kan være forskellig fra de(n) angivne værdi(er), afhængigt af den måde hvorpå maskinen anvendes, især den type arbejdsemne der behandles.

**⚠ ADVARSEL:** Sørg for at identificere de sikkerhedsforskrifter til beskyttelse af operatøren, som er baseret på en vurdering af eksponering under de faktiske brugsforhold (med hensyntagen til alle dele i brugscyklussen, f.eks. de gange, hvor maskinen er slukket, og når den kører i tomgang i tilgift til afbrydertiden).

## Overensstemmelseserklæringer

### Kun for lande i Europa

Overensstemmelseserklæringerne er inkluderet i Bilag A i denne brugsanvisning.

## SIKKERHEDSADVARSLER

### Almindelige sikkerhedsregler for el-værktøj

**⚠ ADVARSEL** Læs alle sikkerhedsadvarsler, instruktioner, illustrationer og specifikationer, der følger med denne maskine. Hvis du ikke følger alle nedenstående instruktioner, kan det medføre elektrisk stød, brand og/eller alvorlig personskade.

### Gem alle advarsler og instruktioner til fremtidig reference.

Ordet "el-værktøj" i advarslerne henviser til det netforsyede (netledning) el-værktøj eller batteriforsyede (akku) el-værktøj.

## SIKKERHEDSADVARSLER FOR AKKU-BOREHAMMER

### Sikkerhedsinstruktioner for alle betjening

1. **Bær høreværn.** Udsættelse for støj kan medføre høreskader.
2. **Brug hjælpéhåndtaget (-håndtagene), hvis sådanne følger med maskinen.** Hvis herredømmet over maskinen mistes, kan det føre til tilskadekomst.
3. **Hold maskinen i de isolerede gribeplader, når du udfører en handling, hvor skæretilbehøret kan komme i kontakt med skjulte ledninger.** Skæretilbehør, der kommer i kontakt med en "strømførende" ledning, kan gøre maskinens udsatte metaldele "strømførende" og kan give operatøren et elektrisk stød.

### Sikkerhedsinstruktioner under brug af lange borebits med borehamre

1. **Begynd altid at bore ved lav hastighed og med bitspidsen i kontakt med arbejdsemnet.** Ved højere hastigheder vil bittens sandsynligvis bøje, hvis den tillades at rotere frit uden at berøre arbejdsemnet, hvilket resulterer i personskade.
2. **Påfør kun tryk i bittens retning og påfør ikke for stort tryk.** Bits kan bøje, hvilket forårsager brud eller tab af kontrol, hvilket resulterer i personskade.

### Supplerende sikkerhedsforskrifter

1. **Bær hjelm (sikkerhedshjelm), sikkerhedsbriller og/eller ansigtsskjold.** Almindelige briller eller solbriller er IKKE sikkerhedsbriller. Det anbefales desuden på det kraftigste at bære støvmaske og kraftigt polstrede handsker.
2. **Sørg for, at bittens sidder godt fast før brugen.**
3. **Maskinen er designet til at forårsage vibration ved normal brug.** Skruerne kan nemt løse sig og medføre et nedbrud eller en ulykke. Kontroller før brugen, at skruerne sidder stramt.

4. I koldt vejr, eller hvis maskinen ikke har været anvendt i længere tid, skal du lade maskinen varme op et stykke tid ved at lade den køre i tomgang. Derved blødgøres smøremidlet. Uden korrekt opvarmning kan det være vanskeligt at betjene hammeren.
5. Vær altid sikker på, at De har et godt fodfæste. Vær sikker på, at der ikke befinder sig nogen nedenunder, når maskinen anvendes i højden.
6. Hold godt fast i maskinen med begge hænder.
7. Hold hænderne på afstand fra bevægelige dele.
8. Lad ikke maskinen køre i tomgang. Anvend kun maskinen håndholdt.
9. Ret ikke maskinen mod personer i nærheden, mens den kører. Bitten kan flyve ud og forårsage alvorlig personskade.
10. Rør ikke ved bitten eller dele i nærheden af bitten eller arbejdsområdet umiddelbart efter brugen. De kan være meget varme og kan forårsage forbrændinger af huden.
11. Nogle materialer indeholder kemikalier, som kan være giftige. Vær påpasselig med at forhindre inhalering af støv og hudkontakt. Følg materiale-leverandørens sikkerhedsdata.
12. Sørg altid for, at der er slukket for maskinen, og at akkuen og bitten er fjernet, før du overdrager maskinen til en anden person.
13. Inden betjening skal du sørge for, at der ikke er nogen skjulte genstande som fx elektriske rør, vandrør eller gasrør i arbejdsområdet. Ellers kan borebitten/mejslen muligvis røre dem, hvilket kan resultere i et elektrisk stød, elektrisk lækage eller gaslækage.
14. Anvend ikke maskinen unødvendigt i ubelastet tilstand.
5. Vær påpasselig med ikke at komme til at kortslutte akkuen:
  - (1) Rør ikke ved terminalerne med noget ledende materiale.
  - (2) Undgå at opbevare akkuen i en beholder sammen med andre genstande af metal, for eksempel søm, mønter og lignende.
  - (3) Udsæt ikke akkuen for vand eller regn. Kortslutning af akkuen kan forårsage en kraftig øgning af strømmen, overophedning, mulige forbrændinger og endog værktøjstop.
6. Opbevar og brug ikke maskinen og akkuen på steder, hvor temperaturen muligvis kan nå eller overstige 50 °C.
7. Lad være med at brænde akkuen, selv ikke i tilfælde, hvor den har lidt alvorlig skade eller er fuldstændig udtjent. Akkuen kan eksplodere, hvis man forsøger at brænde den.
8. Slå ikke søm i, skær ikke i, knus, kast, tab ikke akkuen og stød ikke akkuen mod en hård genstand. Sådan adfærd kan muligvis resultere i en brand, overdreven varme eller eksplosion.
9. Anvend ikke en beskadiget akku.
10. De indbyggede litium-ion-batterier er underlagt lovkrav vedrørende farligt gods. Ved kommerciel transport, f.eks. af tredjeparts transportselskaber, skal særlige krav til forpakning og mærkning overholdes. Ved forberedelse af udstyret til forsendelse skal du kontakte en ekspert i farligt gods. Overhold også eventuel mere detaljeret national lovgivning. Tape eller tildæk åbne kontakter, og pak batteriet på en måde, så det ikke kan flytte sig rundt i pakningen.
11. Når akkuen bortskaftes, skal du fjerne den fra maskinen og bortskaft den på et sikkert sted. Følg de lokale love vedrørende bortskaftelsen af batterier.

## GEM DENNE BRUGSANVISNING.

**⚠ ADVARSEL:** LAD IKKE bekvemmelighed eller kendskab til produktet (opnået gennem gentagen brug) forhindre, at sikkerhedsforskrifterne for produktet nøje overholdes. MISBRUG eller forsømmelse af at følge de i denne brugsvejledning givne sikkerhedsforskrifter kan føre til, at De kommer alvorligt til skade.

### Vigtige sikkerhedsinstruktioner for akkuen

1. Læs alle instruktioner og advarselmærkater på (1) akku-opladeren, (2) akkuen og (3) produktet, som anvender akku.
2. Adskil eller ændr ikke akkuen. Det kan muligvis resultere i en brand, overdreven varme eller eksplosion.
3. Hold straks op med anvendelsen, hvis brugstiden er blevet stærkt afkortet. Forsat anvendelse kan resultere i risiko for overophedning, forbrændinger og endog eksplosion.
4. Hvis De har fået elektrolytvæske i øjnene, skal De straks skylle den ud med rent vand og derefter øjeblikkeligt søge lægehjælp. I modsat fald kan De miste synet.
5. Sørg for, at spåner, støv eller jord ikke sætter sig fast i akkuens terminaler, huller og riller. Det kan forårsage opvarmning, antændelse, sprængning og funktionsfejl i maskinen eller akkuen, hvilket kan medføre forbrændinger eller personskade.
6. Medmindre maskinen understøtter brugen i nærheden af elektriske højspændingsledninger, skal du ikke anvende akkuen i nærheden af elektriske højspændingsledninger. Det kan muligvis medføre funktionsfejl på eller nedbrud af maskinen eller akkuen.
7. Opbevar batteriet utilgængeligt for børn.

## GEM DENNE BRUGSANVISNING.

**⚠FORSIGTIG:** Brug kun originale batterier fra Makita. Brug af uoriginale Makita-batterier, eller batterier som er blevet ændret, kan muligvis medføre brud på batteriet, hvilket kan forårsage brand, personskade eller beskadigelse. Det ugyldiggør også Makita-garantien for Makita-maskinen og opladeren.

## Tips til opnåelse af maksimal akku-levetid

1. Oplad akkuen, inden den er helt afladet. Stop altid værktøjet, og oplad akkuen, hvis De bemærker, at værktøjeffekten er aftagende.
2. Genoplad aldrig en fuldt opladet akku. Overopladning vil afkorte akkuens levetid.
3. Oplad akkuen ved stuetemperatur ved 10 °C - 40 °C. Lad altid en varm akku få tid til at køle af, inden den oplades.
4. Når du ikke anvender akkuen, skal du fjerne den fra maskinen eller opladeren.
5. Oplad akkuen, hvis De ikke skal bruge den i længere tid (mere end seks måneder).

## FUNKTIONSBEKRIVELSE

**⚠FORSIGTIG:** Sørg altid for at maskinen er slukket, og at akkuen er taget ud, før der udføres justering eller kontrol af funktioner på maskinen.

### Isætning eller fjernelse af akkuen

**⚠FORSIGTIG:** Sluk altid for værktøjet, før De monterer eller fjerner akkuen.

**⚠FORSIGTIG:** Hold værktøjet og akkuen fast ved montering eller fjernelse af akkuen. Hvis De ikke holder værktøjet og akkuen fast, kan de glide ud af hænderne på Dem og forårsage beskadigelse af værktøjet og akkuen eller personskade.

For at montere akkuen skal du justere tungen på akkuen med rillen i huset og skubbe den på plads. Indsæt den hele vejen, indtil den låses på plads med et lille klik. Hvis du kan se den røde indikator, som vist i figuren, er den ikke helt låst.

Akkuen fjernes ved, at De trækker den ud af værktøjet, idet De skyder knappen på forsiden af akkuen i stilling.

► Fig.1: 1. Rød indikator 2. Knap 3. Akku

**⚠FORSIGTIG:** Monter altid akkuen helt, indtil den røde indikator ikke længere er synlig. Hvis dette ikke gøres, kan den falde ud af værktøjet ved et uheld, hvorved De selv eller personer i nærheden kan komme til skade.

**⚠FORSIGTIG:** Brug ikke magt ved montering af akkuen. Hvis akkuen ikke glider på plads uden problemer, betyder det, at den ikke sættes i på korrekt vis.

## Indikation af den resterende batteriladning

### Kun til akkuer med indikatoren

Tryk på kontrolknappen på akkuen for at få vist den resterende batteriladning. Indikatorlampen lyser i nogle sekunder.

► Fig.2: 1. Indikatorlamper 2. Kontrolknap

Indikatorlamper			Resterende ladning
Tændt	Slukket	Blinker	
			75% til 100%
			50% til 75%
			25% til 50%
			0% til 25%
			Genoplad batteriet.
			Der er muligvis fejl i batteriet.

**BEMÆRK:** Afhængigt af brugsforholdene og den omgivende temperatur kan indikationen afvige en smule fra den faktiske ladning.

**BEMÆRK:** Den første indikatorlampe (længst mod venstre) vil blinke, når batteribeskyttelsessystemet aktiveres.

## Beskyttelsessystem til værktøj/batteri

Maskinen er udstyret med et beskyttelsessystem til maskinen/batteriet. Dette system afbryder automatisk strømmen til motoren for at forlænge maskinens og batteriets levetid. Maskinen stopper automatisk under brugen, hvis maskinen eller batteriet udsættes for et af følgende forhold:

### Overbelastningsbeskyttelse

Hvis batteriet bruges på en måde, der får det til at trække en unormalt høj strøm, stopper maskinen automatisk uden indikation. Sluk i så fald for maskinen, og stop den anvendelse, der medførte overbelastningen af maskinen. Tænd derefter for maskinen for at starte igen.

### Beskyttelse mod overophedning

Hvis maskinen eller batteriet bliver overophedet, stopper maskinen automatisk. Lad i så fald maskinen og batteriet køle ned, før der tændes for maskinen igen.

**BEMÆRK:** Når maskinen er overophedet, blinker lampen.

## Beskyttelse mod overafledning

Når batteriladningen er utilstrækkelig, stopper maskinen automatisk. Tag i så fald akkuen ud af maskinen, og oplad akkuen.

## Beskyttelse mod andre årsager

Beskyttelsessystemet er også designet til andre årsager, der kan beskadige maskinen og gør det muligt for maskinen at stoppe automatisk. Træf alle følgende foranstaltninger for at fjerne årsagerne, når maskinen midlertidigt er blevet bragt til standsning eller stoppet i drift.

1. Sluk for maskinen, og tænd den igen for at genstarte.
2. Oplad batteriet/batterierne eller udskift det/dem med genopladet/genopladede batteri/batterier.
3. Lad maskinen og batteriet/batterierne køle af.

Hvis der ikke kan findes nogen forbedring ved at gen-danne beskyttelsessystemet, skal det lokale Makita-servicecenter kontaktes.

## Afbryderbetjening

**⚠ ADVARSEL:** Inden akkuen sættes i maskinen, bør De altid kontrollere, at afbryderknappen fungerer korrekt, og returnerer til "OFF"-positionen, når den slippes.

For at starte maskinen trykkes der blot på afbryderknappen. Maskinens hastighed øges ved at øge trykket på afbryderknappen. Slip afbryderknappen for at stoppe.

► Fig.3: 1. Afbryderknop

## Tænding af lampen foran

**⚠ FORSIGTIG:** Kig aldrig direkte på lyskilden. Lad ikke lyset falde i Deres øjne.

Tryk afbryderknappen ind for at tænde for lampen. Lampen fortsætter med at lyse, så længe afbryderknappen trykkes ind. Lampen slukker omkring 10 sekunder efter at afbryderknappen er udløst.

► Fig.4: 1. Lampe

**BEMÆRK:** Brug en tør klud til at tørre snavset af lampens linse. Pas på ikke at ridse lampens linse, da dette muligvis kan dæmpe belysningen.

**BEMÆRK:** Når maskinen er overophedet, blinker lampen. I dette tilfælde skal du slippe afbryderknappen og derefter afkøle maskinen/batteriet, før du betjener maskinen igen.

**BEMÆRK:** Frontlampen kan ikke bruges, mens systemet til støvopsamling (ekstraudstyr) er monteret på maskinen.

## Omløbsvælgerbetjening

**⚠ FORSIGTIG:** Kontrollér altid omløbsretningen, inden arbejdet påbegyndes.

**⚠ FORSIGTIG:** Flyt kun omløbsvælgeren, når maskinen er helt standset. Hvis omløbsretningen ændres, inden maskinen er helt stoppet, kan det beskadige maskinen.

**⚠ FORSIGTIG:** Sæt altid omløbsvælgeren i neutral stilling, når maskinen ikke anvendes.

Denne maskinen har en omløbsvælger til at skifte omløbsretning. Skub omløbsvælgeren ind fra A-siden for omdrejning med uret, og fra B-siden for omdrejning mod uret.

Når omløbsvælgeren er i neutral stilling, kan afbryderknappen ikke trykkes ind.


► Fig.5: 1. Omløbsvælger

## Valg af funktionsmåden

**BEMÆRKNING:** Undlad at dreje omskifterknappen til ændring af funktionsmåde, mens maskinen kører. Maskinen vil blive beskadiget.


**BEMÆRKNING:** For at undgå hurtigt slid på mekanismen til funktions-skift skal du sikre dig, at omskifterknappen til ændring af funktionsmåde altid er forsvarligt placeret i en af funktionspositionerne.

## Rotation med hamring

Ved boring i beton, murværk osv. skal omskifterknappen til ændring af funktionsmåde drejes til -symbolet. Brug en karbidforstærket borebit.

► Fig.6: 1. Omskifterknop til ændring af funktionsmåde

## Kun rotation

Ved boring i træ, metal eller plastikmaterialer skal omskifterknappen til ændring af funktionsmåde drejes til -symbolet. Brug en snegleborsbit eller en træborsbit.

► Fig.7: 1. Omskifterknop til ændring af funktionsmåde

## Elektronisk funktion

Maskinen er udstyret med elektroniske funktioner for nem betjening.

- Elektrisk bremse  
Denne maskine er udstyret med en elektrisk bremse. Hvis maskinen konsekvent undlader at stoppe hurtigt, efter at afbryderknappen slippes, skal der udføres service på maskinen hos et Makita-servicecenter.
- Konstant hastighedskontrol  
Funktionen til hastighedskontrol sørger for konstant rotationshastighed uanset belastningsforholdene.

# SAMLING

**⚠️FORSIGTIG:** Sørg altid for at maskinen er slukket, og at akkuen er taget ud, før der udføres noget arbejde på maskinen.

## Sidehåndtag (ekstra håndtag)

**⚠️FORSIGTIG:** Brug altid sidehåndtaget for sikker betjening.

**⚠️FORSIGTIG:** Efter montering eller justering af sidehåndtaget skal du sikre dig, at sidehåndtaget er forsvarligt fastgjort og med fremspringene på maskinen helt i indgreb med rillerne på sidehåndtaget.

Følg nedenstående fremgangsmåde for at montere sidehåndtaget.

1. Løsn fingerskruen på sidehåndtaget.

► **Fig.8:** 1. Fingerskruen

2. Montér sidehåndtaget, så rillerne på håndtaget passer ind i fremspringene på maskinen, mens du trykker på fingerskruen.

► **Fig.9:** 1. Fingerskruen

3. Stram fingerskruen for at fastgøre håndtaget. Håndtaget kan fastgøres i den ønskede vinkel.

## Montering eller afmontering af borebitten

### Fedtstof

Rengør skaftenden på bitten, og påsmør fedtstof, før bitten monteres.

Dæk skaftenden af bitten med en lille smule fedtstof (cirka 0,5 - 1 g) på forhånd. Denne smøring af patronen sikrer en jævn funktion og længere levetid.

► **Fig.10:** 1. Skaftende 2. Fedtstof

Sæt borebitten i maskinen. Drej borebitten, og tryk den ind, indtil den griber fat.

Efter montering af borebitten skal du altid sikre dig, at borebitten sidder godt fast, ved at forsøge at trække den ud.

► **Fig.11:** 1. Borebit

For at afmontere borebitten skal du skubbe patrondækslet helt ned og trække borebitten ud.

► **Fig.12:** 1. Borebit 2. Patrondæksel

## Dybdemåler

Dybdemåleren er praktisk til at bore huller med den samme dybde.

Tryk på låseknappen, og hold den nede, og sæt derefter dybdemåleren ind i huller. Sørg for, at dybdemålerens side med tænder vender mod mærket.

► **Fig.13:** 1. Dybdemåler 2. Låseknop 3. Mærke 4. Side med tænder

Juster dybdemåleren ved at flytte den frem og tilbage, idet der trykkes på låseknappen. Slip låseknappen efter justeringen for at låse dybdemåleren fast.

**BEMÆRK:** Sørg for, at dybdemåleren ikke berører maskinens kabinet, når den monteres.

## Støvopsamler

### Ekstraudstyr

Brug støvopsamleren til at undgå, at støv falder ned over maskinen og dig selv, når du borer over hovedet på dig selv. Monter støvopsamleren på bitten som vist i figuren. Størrelsen af de bits, som støvopsamleren kan monteres på, er som følger.

Model	Bitdiameter
Støvopsamler 5	6 mm - 14,5 mm
Støvopsamler 9	12 mm - 16 mm

► **Fig.14:** 1. Støvopsamler

## Støvopsamlersæt

### Ekstraudstyr

## Installation af støvopsamlersættet

**BEMÆRKNING:** Brug ikke støvopsamlersættet, når du borer i metal eller lignende. Det kan beskadige støvopsamlersættet på grund af den varme, som fint metalstøv eller lignende frembringer. Undlad at montere eller fjerne støvopsamlersættet, mens borebitten er monteret på maskinen. Det kan beskadige støvopsamlersættet og forårsage lækage af støv.

Før du monterer støvopsamlersættet, skal du afmontere borebitten fra maskinen, hvis den er monteret.

1. Løsn fingerskruen på sidehåndtaget.

2. Montér støvopsamlersættet, så kløerne på støvopsamlersættet passer ind i revnerne på sidehåndtaget.

► **Fig.15:** 1. Støvopsamlersæt 2. Sidehåndtag

3. Montér sidehåndtaget, så rillen på håndtaget passer ind i fremspringet på maskinen. Tilspænd fingerskruen for at fastgøre sidehåndtaget.

► **Fig.16:** 1. Sidehåndtag 2. Rille 3. Fremspring

**BEMÆRK:** Hvis du forbinder en støvsuger til støvopsamlersættet, skal du fjerne støvhætten, før du tilslutter den.

► **Fig.17:** 1. Støvhætte

## Fjernelse af borebitten

For at fjerne borebitten skal du trække patrondækslet helt ned og derefter trække borebitten ud.

► **Fig.18:** 1. Borebit 2. Patrondæksel

## Fjernelse af støvopsamlersættet

Benyt nedenstående fremgangsmåde for at fjerne støvopsamlersættet.

1. Løsn fingerskruen på sidehåndtaget. Afmonter sidehåndtaget fra maskinen.

► **Fig.19:** 1. Fingerskruen

2. Hold fast i roden af støvopsamleren, og træk den ud.

**BEMÆRK:** Hvis det er svært at fjerne støvopsamlersættet, skal du fjerne støvopsamlerens kløer én for en ved at dreje og trække i roden af støvopsamleren.

► **Fig.20:** 1. Støvopsamler

**BEMÆRK:** Hvis hættten tages af støvopsamlersættet, skal den sættes tilbage til den oprindelige position.

Følg nedenstående trin for at sætte hættten tilbage i sin oprindelige position.

1. Drej bælgventilen mod uret, og afmonter den fra støvopsamlersættets fastgørelsesenhed, mens bælgventilen er låst op.  
► **Fig.21:** 1. Bælgventiler 2. Fastgørelsesenhed
2. Sæt hættten tilbage på plads med dens side mærket med bogstaver opad.  
► **Fig.22:** 1. Hætte 2. Fastgørelsesenhed
3. Sørg for, at rillerne omkring hættten passer godt ind i læberne på den øverste åbning på fastgørelsesenheden.

## Maskinbøjle

### Ekstraudstyr

**⚠FORSIGTIG:** Brug ikke en beskadiget maskinbøjle og skrue. Før brugen skal du altid se efter skader, revner eller deformationer og sikre dig, at skruen er strammet.

**⚠FORSIGTIG:** Monter eller fjern maskinbøjlen på et stabilt bord eller en stabil overflade. Sørg for at kun at bruge den skrue, der blev leveret sammen med maskinbøjlen. Efter montering af maskinbøjlen skal du sikre dig, at maskinbøjlen er monteret forsvarligt ved hjælp af skruen.

**⚠FORSIGTIG:** Undlad at fjerne akkuen, når maskinen er hængt op. Maskinen kan falde ned, hvis skruen ikke er tilspændt.

Maskinbøjlen er beregnet til tilslutning af tøjresnoren (sikkerhedslinen).

Før du monterer maskinbøjlen, skal du afmontere gummi-hættten fra skruerhullet i monteringsbeslaget. Indsæt den firkantede møtrik under beslaget. Tilspænd maskinbøjlen med skruen på plads.

- **Fig.23:** 1. Gummi-hætte 2. Monteringsbeslag  
3. Firkantet møtrik 4. Maskinbøjle 5. Skrue

## Sikkerhedsadvarsler om tilslutning af tøjresnor (sikkerhedsline) til maskinbøjlen

**⚠** Specifikke sikkerhedsadvarsler for brug på høje steder

Læs alle sikkerhedsadvarsler og instruktioner. Hvis alle advarsler og instruktioner ikke følges, kan det medføre alvorlig personskade.

1. Hold altid maskinen tøjret, når du arbejder "i højden". Den maksimale længde af tøjresnoren er 2 m.  
Den maksimalt tilladte faldhøjde for tøjresnoren (sikkerhedslinen) må ikke overstige 2 m.
2. Brug kun sammen med tøjresnore, der passer til denne maskintype og er normeret til mindst 6,0 kg.

3. Undlad at forankre maskinens tøjresnor til nogen del af din krop eller til bevægelige komponenter. Fastgør maskinens tøjresnor til en fast struktur, som kan modstå kraften af en maskine, der tabes.
  4. Sørg for, at tøjresnoren er korrekt fastgjort i begge ender før brugen.
  5. Inspicer maskinen og tøjresnoren før hver gang, den bruges, for beskadigelser og korrekt funktion (inklusive stof og sammenhæftning). Undlad brug, hvis den er beskadiget eller ikke fungerer korrekt.
  6. Undlad at vikle tøjresnore omkring skarpe eller ru kanter eller at lade dem komme i kontakt med disse.
  7. Fastgør den anden ende af tøjresnoren uden for arbejdsområdet, så en nedfaldende maskine fastholdes sikkert.
  8. Fastgør tøjresnoren på en sådan måde, at maskinen vil bevæge sig væk fra operatøren, hvis den falder ned. Tabte maskiner vil svinge i tøjresnoren, hvilket kan medføre personskade eller tab af balancen.
  9. Undlad brug i nærheden af dele i bevægelse eller maskiner, der kører. Hvis du ikke gør dette, kan det medføre risiko for knusning eller indvikling.
  10. Undlad at bære maskinen ved at holde i monteringsenheden eller tøjresnoren.
  11. Overfør kun maskinen mellem dine hænder, når du har korrekt balance.
  12. Undlad at fastgøre tøjresnore til maskinen på en måde, der forhindrer kontakter eller afbryderlåsen (hvis de medfølger) i at fungere korrekt.
  13. Undgå at blive viklet ind i tøjresnoren.
  14. Hold tøjresnoren væk fra maskinens boreområde.
  15. Brug en låsekarabinhage (flerfunktions- og skruerporttype). Brug ikke karabinhager med enkeltfunktions fjederklemmer.
  16. Hvis maskinen tabes, skal den mærkes og tages ud af tjeneste og inspiceres af en Makita-fabrik eller et autoriseret servicecenter.
  17. Undlad at hænge maskinen på taljen. En opvarmet maskine og dens tilbehør kan komme i kontakt med huden og forårsage forbrændinger.
- **Fig.24:** 1. Maskinbøjle 2. Tøjresnor (sikkerhedsline)

# SYSTEM TIL STØVOPSAMLING

## Ekstraudstyr

Systemet til støvopsamling er designet til effektiv opsamling af støv, når der bores i beton.

► **Fig.25:** 1. System til støvopsamling

**⚠FORSIGTIG:** Systemet til støvopsamling er kun beregnet til boring i beton. Brug ikke systemet til støvopsamling til boring i metal eller lignende.

**⚠FORSIGTIG:** Når maskinen bruges sammen med systemet til støvopsamling, skal du sørge for at montere filteret på systemet til støvopsamling for at undgå at indånde støv.

**⚠FORSIGTIG:** Før du bruger systemet til støvopsamling, skal du kontrollere, at filteret ikke er beskadiget, og at det indvendige rør er fri for støv og fremmedlegemer. Hvis dette ikke gøres, kan det medføre indånding af støv.

**⚠FORSIGTIG:** Systemet til støvopsamling indsamler det genererede støv med stor hastighed, men ikke alt støv kan opsamlles.

**BEMÆRKNING:** Brug ikke systemet til støvopsamling til boring med kerne eller mejsling.

**BEMÆRKNING:** Brug ikke systemet til støvopsamling til metal eller træ. Systemet til støvopsamling er kun beregnet til beton.

**BEMÆRKNING:** Brug ikke systemet til støvopsamling til boring i våd beton, og brug ikke systemet i våde omgivelser. Undladelse af dette kan medføre fejlfunktion.

## Montering eller afmontering

**BEMÆRKNING:** Før du monterer systemet til støvopsamling, skal du rengøre koblingsstykkerne på maskinen og systemet til støvopsamling. Fremmedlegemer på koblingsstykkerne kan gøre det vanskeligt at montere systemet til støvopsamling. Hvis der stadig er støv tilbage på luftkanalen, kommer støvet ind i maskinen og forårsager blokering af luftstrømmen, eller at maskinen går i stykker.

Før at montere systemet til støvopsamling skal du sætte maskinen hele vejen ind i systemet til støvopsamling, indtil maskinen låses på plads med et lille klik.

► **Fig.26**

Før at afmontere systemet til støvopsamling skal du trække maskinen op, mens du trykker på lås fra-knappen.

► **Fig.27:** 1. Lås fra-knap

## Justering af positionen af studsens på systemet til støvopsamling

**⚠FORSIGTIG:** Undlad at rette studsens mod dig selv eller andre, når du frigør studsens ved at trykke på styrjusteringsknappen.

Skub studsstyret ind og ud, mens du trykker på styrjusteringsknappen, og slip derefter knappen i en nøjagtig position, hvor spidsen af borebiten sidder lige bag studsens forside.

► **Fig.28:** 1. Styr 2. Styrjusteringsknap 3. Spids på borebit 4. Studsens forside

## Justering af boreddybder

Boreddybder kan justeres ved at ændre længderne mellem dybdejusteringsknappen og støttearmen til studsstyret. Tryk på og hold dybdejusteringsknappen nede, og skub den til den ønskede position.

► **Fig.29:** 1. Dybdejusteringsknap 2. Studsstyr 3. Støttearm til studsstyret 4. Boreddybder

## Afbankning af støv på filteret

**⚠FORSIGTIG:** Drej ikke drejeknappen på støvbakken, mens støvbakken er fjernet fra systemet til støvopsamling. Gør du det, kan du komme til at inhalere støvet.

**⚠FORSIGTIG:** Sluk altid maskinen, mens du drejer drejeknappen på støvbakken. Hvis du drejer drejeknappen, mens maskinen kører, kan det medføre, at du mister kontrollen over maskinen.

Hvis du banker støvet af filteret i støvbakken, kan du holde støvsugeren effektiv og reducerer, hvor ofte du skal bortskaffe støvet.

Drej på drejeknappen på støvbakken tre gange efter opsamling af hver 50.000 mm<sup>3</sup> støv, eller når du føler, at støvsugerens ydelse er forringet.

**BEMÆRK:** 50.000 mm<sup>3</sup> støv svarer til at bore 10 huller på ø10 mm og 65 mm dybde.

► **Fig.30:** 1. Støvbakke 2. Drejeknap

## Bortskaffelse af støv

**⚠FORSIGTIG:** Sørg altid for at maskinen er slukket, og at akkuen er taget ud, før der udføres noget arbejde på maskinen.

**⚠FORSIGTIG:** Sørg for at bære støvmaske, når du bortskaffer støv.

**⚠FORSIGTIG:** Sørg for, at maskinen er helt stoppet ved bortskaffelse af støv.

**⚠FORSIGTIG:** Tøm støvbakken regelmæssigt, før den bliver fuld. Hvis du ikke gør dette, kan det reducere ydelsen af støvopsamlingen og medføre indånding af støv.

**⚠FORSIGTIG:** Ydelsen af støvopsamlingen reduceres, hvis filteret i støvbakken bliver tilstoppet. Udskift som tommelfingerregel filteret med et nyt efter cirka 200 støvtømninger. Hvis du ikke gør dette, kan det medføre indånding af støv.

1. Fjern støvbakken, idet der trykkes ned på håndtaget på støvbakken.

► **Fig.31:** 1. Håndtag

2. Åbn dækslet på støvbakken.

► **Fig.32:** 1. Dæksel

3. Bortskaf støvet, og rengør derefter filteret.

► **Fig.33**

**BEMÆRKNING:** Når filteret renses, skal du banke let med hånden på filterets hus for at fjerne støv. Bank ikke direkte på filteret. Berør filteret med en børste eller lignende eller blæs komprimeret luft på filteret. Hvis du gør dette, kan det beskadige filteret.

## Udskiftning af filteret på støvbakken

1. Fjern støvbakken, idet der trykkes ned på håndtaget på støvbakken.

► **Fig.34:** 1. Håndtag

2. Åbn filterdækslet på støvbakken.

► **Fig.35:** 1. Filterdæksel

3. Fjern filteret fra filterhuset.

► **Fig.36:** 1. Filter 2. Filterhus

4. Sæt et nyt filter i filterhuset, og monter derefter filterdækslet.

5. Luk dækslet på støvbakken, og monter derefter støvbakken på systemet til støvopsamling.

## Udskiftning af tætningshætten

1. Indsæt en flad skruetrækker i en af rillerne på siderne af studshovedet. Vip den flade skruetrækker i en vinkel for at klemme og skubbe lukkekrogen ud af tætningshætten. Træk derefter gummikanten på tætningshætten væk fra kanten på studshovedets åbning.

► **Fig.37:** 1. Tætningshætte 2. Lukkekrog 3. Rille 4. Studshoved

2. Sæt en af lukkekrogene på en ny tætningshætte ind i den nederste del af rillen i studshovedet med en forsænket overflade på tætningshætten vendt fremad.

► **Fig.38:** 1. Lukkekroge 2. Nederste del af rillen 3. Tætningshætte 4. Forsænket overflade

3. Anbring den anden krog i den modsatte side, mens tætningshætten flyttes, så den passer fint til studshovedet.

► **Fig.39:** 1. Tætningshætte 2. Lukkekrog 3. Nederste del af rillen 4. Studshoved 5. Kanter

4. Læg forsigtigt gummikanten på tætningshætten ned over kanten af studshovedets åbning fra bund til top.

► **Fig.40:** 1. Gummikant 2. Tætningshætte 3. Studshoved

## ANVENDELSE

**⚠FORSIGTIG:** Brug altid sidehåndtaget (ekstra håndtag), og hold godt fast i maskinen i både sidehåndtaget og omskifterhåndtaget under brug.

**⚠FORSIGTIG:** Sørg altid for, at arbejdsemnet er fastgjort før anvendelsen.

**⚠FORSIGTIG:** Undlad at trække maskinen ud med magt, selvom bittens sætter sig fast. Tab af kontrollen kan medføre personskaade.


**BEMÆRKNING:** Før du bruger systemet til støvopsamling med maskinen, skal du læse afsnittet om systemet til støvopsamling.

**BEMÆRK:** Hvis akkuen har lav temperatur, kan maskinen muligvis ikke opnå sin fulde kapacitet. Varm i så fald akkuen op ved at bruge maskinen uden belastning et stykke tid for at nå maskinens fulde kapacitet.

► **Fig.41**

## Hammerboring

**⚠FORSIGTIG:** Maskinen/borebitten udsættes for kraftig og pludselig vridning på det tidspunkt, hvor der brydes igennem hullet, når hullet bliver tilstoppet med spåner og partikler, eller hvis forstærkningsrørene i betonen rammes. **Brug altid sidehåndtaget (ekstra håndtag), og hold godt fast i maskinen i både sidehåndtaget og omskifterhåndtaget under brug.** Hvis du ikke gør dette, kan det medføre tab af kontrol og risiko for alvorlig personskaade.

Indstil omskifterknappen til ændring af funktionsmåde til -symbolet.

Placér borebitten på det ønskede sted for hullet, og træk derefter i afbryderknappen.

Påfør tilspændingskraft på kontakthåndtaget (hovedhåndtag) for at opnå arbejdsnøjagtighed og effektivitet, og hold fast i sidehåndtaget (ekstra håndtag) for at holde maskinens balance.

Hold maskinen på plads, og undgå, at den glider væk fra hullet.

Udøv ikke et større tryk, når hullet bliver tilstoppet af spåner eller partikler. Kør i stedet maskinen i tomgang, og fjern derefter borebitten delvist fra hullet. Ved at gentage dette flere gange vil hullet blive renset ud, og normal boring kan genoptages.

**BEMÆRK:** Der kan forekomme excentricitet i borebittens rotation, når maskinen betjenes uden belastning. Maskinen centrerer automatisk sig selv under brug. Dette har ikke betydning for præcisionen under boring.



## Boring i træ eller metal


**⚠FORSIGTIG:** Hold godt fast i maskinen og udvis forsigtighed, når borebitten begynder at bryde igennem arbejdsstykket. Maskinen/borebitten udsættes for en kraftig påvirkning på det tidspunkt, hvor der brydes igennem hullet.

**⚠FORSIGTIG:** En borebit, der har sat sig fast, kan fjernes ved at man ganske enkelt sætter omløbsvælgeren til baglæns rotation for at bakke ud. Imidlertid kan maskinen pludselig bakke ud, hvis man ikke holder godt fast i den.

**⚠FORSIGTIG:** Fastgør altid arbejdsemner i en skruestik eller lignende udstyr til fastgørelse.

**BEMÆRKNING:** Brug aldrig "rotation med hamring", når borepatronen er monteret på maskinen. Borepatronen kan blive beskadiget. Borepatronen vil desuden blive frigjort, når maskinen kører baglæns.

**BEMÆRKNING:** Et kraftigere tryk på maskinen vil ikke gøre boringen hurtigere. Faktisk vil et kraftigere tryk kun føre til skade på spidsen af borebitten, nedsætte maskinen ydelse og afkorte maskinens levetid.

Indstil omskifterknappen til ændring af funktionsmåde til -symbolet.

Monter patronadapteren på en nøglefri borepatron, hvor der kan monteres en skrue i størrelse 1/2"-20, og monter dem derefter på maskinen. Se "Isætning eller fjernelse af borebit" under monteringen.

► Fig.42: 1. Borepatronsæt 2. Patronadapter

## Udblæsningskolbe

### Ekstraudstyr

Når hullet er boret, skal du bruge udblæsningskolben til at fjerne støv fra hullet.

► Fig.43

## Brug af støvopsamlersættet

### Ekstraudstyr

Monter støvopsamlersættet mod loftet under betjening af maskinen.

► Fig.44

**BEMÆRKNING:** Brug ikke støvopsamlersættet, når du borer i metal eller lignende. Dette kan beskadige støvopsamlersættet på grund af den varme, som fint metalstøv eller lignende frembringer.

**BEMÆRKNING:** Undlad at montere eller fjerne støvopsamlersættet, mens borebitten er monteret på maskinen. Dette kan beskadige støvopsamlersættet og forårsage lækage af støv.

## VEDLIGEHOLDELSE

**⚠FORSIGTIG:** Vær altid sikker på, at værktøjet er slukket, og at akkuen er taget ud, inden De begynder at udføre inspektion eller vedligeholdelse.

**BEMÆRKNING:** Anvend aldrig benzin, rensebenzin, fortynder, alkohol og lignende. Det kan medføre misfarvning, deformation eller revner.

For at opretholde produktets SIKKERHED og PÅLIDELIGHED må reparation, vedligeholdelse eller justering kun udføres af et autoriseret Makita servicecenter eller fabrikksservicecenter med anvendelse af Makita reservedele.

## EKSTRAUDSTYR

**⚠FORSIGTIG:** Det følgende tilbehør og ekstraudstyr er anbefalet til brug med Deres Makita maskine, der er beskrevet i denne brugsanvisning. Anvendelse af andet tilbehør eller ekstraudstyr kan udgøre en risiko for personskade. Anvend kun tilbehør og ekstraudstyr til det beskrevne formål.

Hvis De behøver hjælp ved valg af tilbehør eller ønsker yderligere informationer, bedes De kontakte Deres lokale Makita servicecenter.

- Karbidforstærkede borebits (SDS-plus karbidforstærkede bits)
- Patronadapter
- Nøglefri borepatron
- Smørelse til bit
- Dybdemåler
- Udblæsningskolbe
- Støvsamler
- Støvsamlersæt
- System til støvopsamling
- Maskinbøjle
- Original Makita-akku og oplader

**BEMÆRK:** Nogle ting på denne liste kan være inkluderet i værktøjsspakken som standardtilbehør. Det kan være forskellige fra land til land.

## SPECIFIKĀCIJAS

<b>Modelis:</b>		<b>DHR183</b>
Urbšanas spēja	Betons	18 mm
	Tērauds	13 mm
	Koks	24 mm
Ātrums bez slodzes		0 - 1 100 min <sup>-1</sup>
Triecienu minūtē		0 - 5 000 min <sup>-1</sup>
Kopējais garums (ar BL1860B)		288 mm
Nominālais spriegums		18 V līdzstrāva
Neto svars		2,1 - 2,9 kg

### Papildpiederums

<b>Modelis:</b>		<b>DX16</b>
Sūkšanas jauda		0,24 l/min
Darbības gājiens		Līdz 105 mm
Piemērots urbja uzgalis		Līdz 165 mm
Neto svars		0,77 kg

- Nepārtrauktās izpētes un izstrādes programmas dēļ šeit uzrādītās specifikācijas var tikt mainītas bez brīdinājuma.
- Atkarībā no valsts specifikācijas var atšķirties.
- Svārs var būt atšķirīgs atkarībā no papildierīces (-ēm), tostarp akumulatora kasetnes. Tabulā ir attēlota vieglākā un smagākā kombinācija atbilstoši EPTA procedūrai 01/2014.

### Piemērotā akumulatora kasetne un lādētājs

Akumulatora kasetne	BL1815N / BL1820B / BL1830B / BL1840B / BL1850B / BL1860B
Lādētājs	DC18RC / DC18RD / DC18RE / DC18SD / DC18SE / DC18SF / DC18SH / DC18WC

- Daži no iepriekš norādītajiem lādētājiem un akumulatora kasetnēm var nebūt pieejami atkarībā no jūsu mītnes reģiona.

**▲BRĪDINĀJUMS:** Izmantojiet vienīgi iepriekš norādītās akumulatora kasetnes un lādētājus. Cita tipa akumulatora kasetņu un lādētāju izmantošana var radīt traumu un/vai aizdegšanās risku.

### Ieteicamais ar vadu savienojamais barošanas avots

Pārnēsājams barošanas bloks	PDC01
-----------------------------	-------

- Iepriekš norādītais (-ie) ar vadu savienojamais (-ie) barošanas avots (-i) var nebūt pieejams (-i) atkarībā no jūsu mītnes reģiona.
- Pirms izmantojat ar vadu savienojamo barošanas avotu, izlasiet instrukcijas un uz tā redzamos brīdinājumus.

### Paredzētā lietošana

Šis darbarīks ir paredzēts triecienuurbšanai un urbšanai ķieģeļos, betonā un akmenī.

Tas ir piemērots arī parastai urbšanai (bez trieciena) kokā, metālā, keramikā un plastmasā.

### Trokšņa līmenis

Tipiskais A svērtais trokšņa līmenis noteikts saskaņā ar EN62841-2-6:

#### Modelis DHR183

Skaņas spiediena līmeni ( $L_{pA}$ ): 90 dB (A)

Skaņas jaudas līmeni ( $L_{WA}$ ): 101 dB (A)

Mainīgums (K): 3 dB (A)

#### Modelis DHR183 ar DX16

Skaņas spiediena līmeni ( $L_{pA}$ ): 90 dB (A)

Skaņas jaudas līmeni ( $L_{WA}$ ): 101 dB (A)

Mainīgums (K): 3 dB (A)

**PIEZĪME:** Paziņotā trokšņa emisijas vērtība noteikta atbilstoši standarta pārbaudes metodei, un to var izmantot, lai salīdzinātu vienu darbarīku ar citu.

**PIEZĪME:** Paziņoto trokšņa emisijas vērtību arī var izmantot iedarbības sākotnējā novērtējumā.

**▲BRĪDINĀJUMS:** Lietojiet ausu aizsargus.

**▲BRĪDINĀJUMS:** Trokšņa emisija patiesos darba apstākļos var atšķirties no paziņotās vērtības atkarībā no darbarīka izmantošanas veida un jo īpaši atkarībā no apstrādājamā materiāla veida.

**▲BRĪDINĀJUMS:** Lai aizsargātu lietotāju, nosakiet drošības pasākumus, kas pamatoti ar iedarbību reālos darba apstākļos (ņemot vērā visus ekspluatācijas cikla posmus, piemēram, laiku, kamēr darbarīks ir izslēgts un kad darbojas tukšgaitā, kā arī palaides laiku).

## Vibrācija

Tālāk tabulā norādītā vibrāciju kopējā vērtība (trīs asu vektoru summa) ir noteikta saskaņā ar piemērojamo standartu.

Darba režīms	Vibrācijas izmēte	NeNOTEIKTĪBA (K)	Piemērojamie standarti / testēšanas apstākļi
Trieceņurbšana betonā (a <sub>H, HD</sub> )	7,5 m/s <sup>2</sup>	1,5 m/s <sup>2</sup>	EN62841-2-6
	7,5 m/s <sup>2</sup>	1,5 m/s <sup>2</sup>	Ieteicamā praktiskā darbība*
Trieceņurbšana betonā ar DX16 (a <sub>H, HD</sub> )	7,6 m/s <sup>2</sup>	1,7 m/s <sup>2</sup>	EN62841-2-6
	7,7 m/s <sup>2</sup>	1,5 m/s <sup>2</sup>	Ieteicamā praktiskā darbība*

\* Ieteicamās praktiskās darbības testēšanas apstākļi atbilst standartam EN 62841-2-6, izņemot šādus punktus:

- Darba precizitātes un efektivitātes nolūkā padeves spēks tiek pielikts slēdža rokturim (galvenajam rokturim).
- Sānu rokturi (papildu rokturi) tur, lai saglabātu darbarīka līdzsvaru.

**PIEZĪME:** Paziņotā kopējā vibrācijas vērtība noteikta atbilstoši standarta pārbaudes metodei, un to var izmantot, lai salīdzinātu vienu darbarīku ar citu.

**PIEZĪME:** Paziņoto kopējo vibrācijas vērtību arī var izmantot iedarbības sākotnējā novērtējumā.

**▲BRĪDINĀJUMS:** Vibrācijas emisija patiesos darba apstākļos var atšķirties no paziņotās vērtības atkarībā no darbarīka izmantošanas veida un jo īpaši atkarībā no apstrādājamā materiāla veida.

**▲BRĪDINĀJUMS:** Lai aizsargātu lietotāju, nosakiet drošības pasākumus, kas pamatoti ar iedarbību reālos darba apstākļos (ņemot vērā visus ekspluatācijas cikla posmus, piemēram, laiku, kamēr darbarīks ir izslēgts un kad darbojas tukšgaitā, kā arī palaides laiku).

## Atbilstības deklarācijas

### Tikai Eiropas valstīm

Atbilstības deklarācijas šajā lietošanas rokasgrāmatā ir iekļautas kā A pielikums.

# DROŠĪBAS BRĪDINĀJUMI

## Vispārīgi elektrisko darbarīku drošības brīdinājumi

**▲BRĪDINĀJUMS** Izlasiet visus drošības brīdinājumus, norādījumus un tehniskos datus un izpētiet ilustrācijas, kas iekļautas šā elektriskā darbarīka komplektā. Neievērojot visus tālāk minētos noteikumus, iespējams elektriskās strāvas triecienu, aizdegšanās un/vai smagu traumu risks.

## Glabājiet visus brīdinājumus un norādījumus, lai varētu tajos ieskatīties turpmāk.

Termins „elektrisks darbarīks” brīdinājumos attiecas uz tādu elektrisko darbarīku, ko darbina ar elektrību (ar vadu), vai tādu, ko darbina ar akumulatoru (bez vada).

## DROŠĪBAS BRĪDINĀJUMI BEZVADU PERFORATORA LIETOŠANAI

### Drošības norādījumi visām darbībām

1. **Izmantojiet ausu aizsargus.** Trokšnis var izraisīt dzirdes zudumu.
2. **Izmantojiet ar darbarīku piegādātos papildu rokturus.** Zaudējot kontroli, var tikt gūtas traumas.
3. **Strādājot vietās, kur griezējinstrumentus varētu saskarties ar slēptu elektroinstalāciju, turiet darbarīku aiz izolētajām satveršanas virsmām.** Ja griezējinstrumenti saskaras ar vadu, kurā plūst strāva, varēs mehānizētā darbarīka ārējās metāla virsmas var tikt vadīt strāvu un radīt strāvas triecienu operatoram.

### Drošības norādījumi darbam ar perforatoru, izmantojot garos urbja uzgali

1. **Sākot darbu, vienmēr izmantojiet lēnu darba ātrumu un raugieties, lai urbja uzgalis būtu saskarē ar apstrādājamo materiālu.** Ja uzgalis tiek pakļauts rotācijai palielinātā darba ātrumā bez saskares ar apstrādājamo materiālu, tas var saliekties un radīt traumas.
2. **Spiediet darbarīku tikai taisnā virzienā attiecībā pret urbja uzgali, kā arī nespiediet pārāk spēcīgi.** Uzgaļi var saliekties un pārlūzt, izraisot kontroles zudumu un radot traumas.

### Papildu drošības brīdinājumi

1. **Izmantojiet aizsargķiveri, aizsargbrilles un/vai sejas aizsargu.** Parastās brilles vai saulesbrilles NAV aizsargbrilles. Noteikti ieteicams izmantot arī putekļu masku un biezus, polsterētus cimdus.
2. **Pirms sākt darbu pārbaudiet, vai uzgalis ir nostiprināts.**
3. **Parastas darbības laikā darbarīks rada vibrāciju.** Skrūves var viegli atskrūvēties, izraisot bojājumus vai negadījumu. Pirms sākt darbu rūpīgi pārbaudiet skrūvju pievilkumu.
4. **Aukstā laikā vai tad, ja darbarīku neesat izmantojis ilgu laiku, ļaujiet darbarīkam nedaudz iesilt, darbinot to bez slodzes.** Tas sasildīs ziežvielas darbarīkā. Bez pienācīgas iesildīšanas būs grūti veikt kalšanu.

5. Vienmēr nodrošiniet stabilu pamatu kājām. Ja lietojat darbarīku, strādājot lielā augstumā virs zemes, pārliecinieties, ka apakšā neviena nav.
6. Turiet darbarīku cieši ar abām rokām.
7. Netuviniet rokas kustīgajām daļām.
8. Neatstājiet darbarīku ieslēgtu. Darbiniet darbarīku vienīgi tad, ja turat to rokās.
9. Iedarbinātu darbarīku nevērsiet pret tuvumā esošiem cilvēkiem. Uzgalis var tikt izsviests un radīt smagu traumu.
10. Tūlīt pēc darbarīka lietošanas nepieskarieties uzgalmi, uzgaļa vai apstrādājamā materiāla tuvumā esošām daļām, jo daļas var būt ļoti karstas un apdedzināt ādu.
11. Daži materiāli satur ķīmiskas vielas, kuras var būt toksiskas. Izvairieties no putekļu ieelpošanas un to nokļūšanas uz ādas. Ievērojiet materiāla piegādātāja drošības datus.
12. Pirms darbarīka nodošanas citai personai vienmēr pārliecinieties, vai darbarīks ir izslēgts un vai akumulatora kasetne un uzgalis ir izņemts.
13. Pirms darba sākšanas pārliecinieties, vai darba zonā nekā nav aprakts, piemēram, elektroizolācijas caurule, ūdens caurule vai gāzes caurule. Urbja uzgalis/kalta var ar tiem saskarties, izraisot elektriskās strāvas triecienu, skrāvas noplūdi vai gāzes noplūdi.
14. Lieki nedarbiniet darbarīku bez slodzes.

## SAGLABĀJIET ŠOS NORĀDĪJUMUS.

**BRĪDINĀJUMS:** NEPIEĻAUJIET to, ka labu iemaņu vai izstrādājuma labas pārzināšanas (darbarīku atkārtoti ekspluatējot) rezultātā vairs stingri neievērojat šī izstrādājuma drošības noteikumus. NEPAREIZI LIETOJOT darbarīku vai neievērojot šajā instrukcijā rokasgrāmatā minētos drošības noteikumus, var tikt gūtas smagas traumas.

## Svarīgi drošības norādījumi par akumulatora kasetni

1. Pirms akumulatora lietošanas izlasiet visus norādījumus un brīdinājumus, kuri attiecas uz (1) akumulatora lādētāju, (2) akumulatoru un (3) ierīci, kurā tiek izmantots akumulators.
2. Akumulatora kasetni nedrīkst ne pārveidot, ne izjaukt. Citādi var tikt izraisīta aizdegšanās, pārmērīgs karstums vai sprādziens.
3. Ja akumulatora darbības laiks kļūva ievērojami īsāks, nekavējoties pārtrauciet to izmantot. Citādi, tas var izraisīt pārkarsējumu, uzliesmojumu vai pat sprādzienu.
4. Ja elektrolīts nonāk acīs, izskalojiet tās ar tīru ūdens un nekavējoties griezieties pie ārsta. Tas var izraisīt redzes zaudēšanu.
5. Neradiet īssavienojumu akumulatora kasetnē:
  - (1) Nepieskarieties spaiļēm ar elektrību vadošiem materiāliem.
  - (2) Neuzglabājiēt akumulatoru kasetni kopā ar citiem metāla priekšmetiem, tādiem kā naglas, monētas u. c.
  - (3) Nepakļaujiēt akumulatora kasetni ūdens vai lietus iedarbībai.
6. Neglabājiēt neizmantotiēt darbarīku un akumulatora kasetni vietās, kur temperatūra var sasniegt vai pārsniegt 50 °C (122 °F).
7. Nededziniēt akumulatora kasetni, pat ja tā ir stipri bojāta vai pilnībā nolietota. Akumulatora kasetne ugunī var eksplodēt.
8. Akumulatora kasetni nedrīkst naglot, griezt, spasiest, mest vai nomest, kā arī pa to nedrīkst sist ar cietu priekšmetu. Šādas darbības var izraisīt aizdegšanos, pārmērīgu karstumu vai sprādzienu.
9. Neizmantotiēt bojātu akumulatoru.
10. Uz izmantotajiem litiija jonu akumulatoriem attiecas likumdošanas prasības par bīstamiem izstrādājumiem. Komerציālā transportēšanā, ko veic, piemēram, trešās puses, transporta uzņēmumi, jāievēro uz iesaiņojuma un marķējuma norādītās īpašās prasības. Lai izstrādājumu sagatavotu nosūtīšanai, jāsaizina ar bīstamo materiālu speciālistu. Ievērojiet arī citus attiecināmos valsts noteikumus. Vaļējus kontaktus nosedziet ar līmlenti vai citādi pārkļājiēt, bet akumulatoru iesaiņojiēt tā, lai sāint tas nevarētu izkustēties.
11. Lai utilizētu akumulatora kasetni, izņemiēt to no darbarīka un likvidējiēt drošā vietā. Ievērojiet vietējos noteikumus par akumulatora likvidēšanu.
12. Izmantojiēt šos akumulatorus tikai ar izstrādājumiem, kurus norādījis Makita. Ievietojiēt šos akumulatorus nesaderīgos izstrādājumos, var rasties ugunsgrēks, pārmērīgs karstums, tie var uzsprāgt vai no tiem var izteciēt elektrolīts.
13. Ja darbarīks netiks lietots ilgu laiku, no tā jāizņemiēt akumulators.
14. Lietošanas laikā vai pēc tās akumulatora kasetne var uzkrāt siltumu, kas var izraisīt apdegumus vai zemas temperatūras apdegumus. Ar karstu akumulatora kasetni apejiēties rūpiēi.
15. Nepieskarieties darbarīka izvadam uzreiz pēc lietošanas, jo tas var būt sakarsis un izraisīt apdegumus.
16. Neļājiētiēt akumulatora kasetnes spaiļēs, atvērēs un rievās uzkrātīs skaidām, putekļiem vai netīrumiem. Tas var izraisīt sasiēšanu, aizdegšanos, sprādzienu instrumenta vai akumulatora kasetnes nepareizu darbību, un lietotājs var gūt apdegumus vai ievainojumus.
17. Neizmantojiēt akumulatora kasetni augstsprieguma līniju tuvumā, izņemot gadījumi, kad darbarīks ir piemērots lietošanai augstsprieguma līniju tuvumā. Citādi darbarīks vai akumulatora kasetne var sākt darboties nepareizi vai tikt sabojiāti.
18. Glabājiētiēt akumulatoru bērniem nepieejamā vietā.

## SAGLABĀJIET ŠOS NORĀDĪJUMUS.

**⚠UZMANĪBU:** Lietojiet tikai oriģinālos Makita akumulatorus. Ja lietojat neoriģinālus Makita akumulatorus vai pārveidotus akumulatorus, tie var uzsprāgt un izraisīt aizdegšanos, traumas un materiālos zaudējumus. Tīks anulēta arī Makita darbarīka un lādētāja garantija.

## Ieteikumi akumulatora kalpošanas laika pagarināšanai

1. Uzlādējiet akumulatora kasetni, pirms tā ir pilnībā izlādējusies. Vienmēr, kad ievērojat, ka darbarīka darba jauda zudusi, apturiet darbarīku un uzlādējiet akumulatora kasetni.
2. Nekad neuzlādējiet pilnībā uzlādētu akumulatora kasetni. Pārmērīga uzlāde saīsina akumulatora kalpošanas laiku.
3. Uzlādējiet akumulatora kasetni istabas temperatūrā 10 °C - 40 °C. Karstai akumulatora kasetnei pirms uzlādes ļaujiet atdzist.
4. Kad akumulatora kasetne netiek izmantota, izņemiet to no darbarīka vai lādētāja.
5. Uzlādējiet litija jonu akumulatora kasetni, ja to ilgstoši nelietosīt (vairāk nekā sešus mēnešus).

## FUNKCIJU APRAKSTS

**⚠UZMANĪBU:** Pirms darbarīka regulēšanas vai tā darbības pārbaudes vienmēr pārliecinieties, ka darbarīks ir izslēgts un akumulatora kasetne ir izņemta.

## Akumulatora kasetnes uzstādīšana un izņemšana

**⚠UZMANĪBU:** Vienmēr pirms akumulatora kasetnes uzstādīšanas vai noņemšanas izslēdziet darbarīku.

**⚠UZMANĪBU:** Uzstādot vai izņemot akumulatora kasetni, darbarīku un akumulatora kasetni turiet cieši. Ja darbarīku un akumulatora kasetni netur cieši, tie var izkrist no rokām un radīt bojājumus darbarīkam un akumulatora kasetnei, kā arī izraisīt ievainojumus.

Lai uzstādītu akumulatora kasetni, salāgojiet akumulatora kasetnes mēlīti ar rievu ietvarā un iebīdīet to vietā. Ievietojiet to līdz galam, līdz tā ar klikšķi nofiksējas. Ja redzams attēlā parādītais sarkanas krāsas indikators, tas nozīmē, ka tas nav pilnīgi nofiksēts.

Lai izņemtu akumulatora kasetni, izvelciet to no darbarīka, pārbīdot kasetnes priekšpusē esošo pogu.

- **Att.1:** 1. Sarkanas krāsas indikators 2. Poga 3. Akumulatora kasetne

**⚠UZMANĪBU:** Vienmēr ievietojiet akumulatora kasetni tā, lai sarkanais indikators nebūtu redzams. Pretējā gadījumā tā var nejausi izkrist no darbarīka un izraisīt jums vai apkārtnējiem traumas.

**⚠UZMANĪBU:** Neievietojiet akumulatora kasetni ar spēku. Ja kasetne neslīd ietvarā viegli, tā nav pareizi ielikta.

## Atlikušās akumulatora jaudas indikators

*Tikai akumulatora kasetnēm ar indikatoru*

Nospiediet akumulatora kasetnes pārbaudes pogu, lai pārbaudītu akumulatora atlikušo uzlādes līmeni. Indikatori iedegsies uz dažām sekundēm.

- **Att.2:** 1. Indikatora lampas 2. Pārbaudes poga

Indikatora lampas			Atlikušā jauda
Iededzies	Izslēgts	Mirgo	
			No 75% līdz 100%
			No 50% līdz 75%
			No 25% līdz 50%
			No 0% līdz 25%
			Uzlādējiet akumulatoru.
			Iespējama akumulatora kļūme.

**PIEZĪME:** Reālā jauda var nedaudz atšķirties no norādītās atkarībā no lietošanas apstākļiem un apkārtnējās temperatūras.

**PIEZĪME:** Akumulatora aizsardzības sistēmas darbības laikā mirgo pirmais (kreisais malējais) indikators.

## Darbarīka/akumulatora aizsardzības sistēma

Darbarīkam ir darbarīka/akumulatora aizsardzības sistēma. Šī sistēma automātiski izslēdz strāvas padevi motoram, lai pagarinātu darbarīka un akumulatora darbību. Lietošanas laikā darbarīks automātiski pārstās darboties, ja darbarīku vai akumulatoru pakļaus kādam no šādiem apstākļiem.

## Aizsardzība pret pārslodzi

Ja akumulatoru lieto tā, ka tas patērē pārmērīgi lielu strāvas daudzumu, darbarīks automātiski pārstāj darboties bez jebkādas norādes. Šādā gadījumā izslēdziet darbarīku un pārtrauciet darbību, kas izraisīja darbarīka pārslodzi. Tad ieslēdziet darbarīku, lai atsāktu darbu.

## Aizsardzība pret pārkaršanu

Kad darbarīks vai akumulators ir pārkaršis, darbarīks automātiski pārstāj darboties. Šādā gadījumā ļaujiet darbarīkam un akumulatoram atdzist un tikai tad atkal ieslēdziet darbarīku.

**PIEZĪME:** Ja darbarīks ir pārkaršis, lampa mirgo.

## Aizsardzība pret akumulatora pārmērīgu izlādi

Ja akumulatora jaudas līmenis ir zems, darbarīks automātiski pārstāj darboties. Šajā gadījumā akumulatoru izņemiet no darbarīka un uzlādējiet.

## Aizsardzība pret citiem cēloņiem

Aizsardzības sistēma ir paredzēta arī pret citiem cēloņiem, kas varētu radīt darbarīka bojājumus, un nodrošina automātisku darbarīka apturēšanu. Ja darbarīka darbība ir īslaicīgi apstājusies vai tas pārstājis darboties, veiciet visas tālāk norādītās darbības, lai novērstu cēloņus.

1. Izslēdziet un ieslēdziet darbarīku, lai to no jauna iedarbinātu.
2. Uzlādējiet akumulatoru(-s) vai nomainiet to(-s) ar uzlādētu(-iem) akumulatoru(-iem).
3. Ļaujiet darbarīkam un akumulatoram(-iem) atdzist.

Ja pēc aizsardzības sistēmas atjaunošanas nav uzlabojumu, sazinieties ar vietējo Makita tehniskās apkopes centru.

## Slēdža darbība

**▲BRĪDINĀJUMS:** Pirms akumulatora kasetnes uzstādīšanas darbarīkā vienmēr pārbaudiet, vai slēdža mēlīte darbojas pareizi un pēc atlaišanas atgriežas stāvoklī „OFF” (Izslēgts).

Lai ieslēgtu darbarīku, pavelciet slēdža mēlīti. Darbarīka ātrums palielinās, palielinoties spiedienam uz slēdža mēlīti. Lai darbarīku apturētu, atlaidiet slēdža mēlīti.

► **Att.3:** 1. Slēdža mēlīte

## Priekšējās lampas ieslēgšana

**▲UZMANĪBU:** Neskatieties gaismā, neļaujiet tās avotam iespīdēt acīs.

Pavelciet slēdža mēlīti, lai ieslēgtu lampu. Kamēr slēdža mēlīte ir nospiesta, lampa ir ieslēgta. Apmēram 10 sekundes pēc slēdža mēlītes atlaišanas lampa izslēdzas.

► **Att.4:** 1. Lampa

**PIEZĪME:** Ar sausu lupatiņu notīriet netīrumus no lampas lēcas. Izvairieties saskrāpēt lampas lēcu, jo tādējādi tiek samazināts apgaismojums.

**PIEZĪME:** Ja darbarīks ir pārkarsis, lampa mirgo. Šādā gadījumā atlaidiet slēdža mēlīti un pēc tam atzdesējiet darbarīku/akumulatoru pirms atkārtotas lietošanas.

**PIEZĪME:** Priekšējo lampu nevar izmantot, kamēr darbarīkam ir pievienota putekļu savākšanas sistēma (papildpiederums).

## Griešanās virziena pārslēdzēja darbība

**▲UZMANĪBU:** Pirms sākat strādāt, vienmēr pārbaudiet griešanās virzienu.

**▲UZMANĪBU:** Izmantojiet griešanās virziena pārslēdzēju tikai pēc darbarīka pilnīgas apstāšanās. Griešanās virziena maiņa pirms darbarīka pilnīgas apstāšanās var to sabojāt.

**▲UZMANĪBU:** Kamēr darbarīks netiek izmantots, vienmēr uzstādiet griešanās virziena pārslēdzēja sviru neitrālajā stāvoklī.

Šis darbarīks ir aprīkots ar pārslēdzēju, kas ļauj mainīt griešanās virzienu. Nospiediet griešanās virziena pārslēdzēja sviru no „A” puses rotācijai pulksteņrādītāju kustības virzienā vai no „B” puses rotācijai pretēji pulksteņrādītāju kustības virzienam.

Ja griešanās virziena pārslēdzēja svira atrodas neitrālajā stāvoklī, slēdža mēlīti nevar nospiegt.


► **Att.5:** 1. Griešanās virziena pārslēdzēja svira

## Darba režīma izvēle

**IEVĒRĪBAI:** Negrieziet darba režīma pārslēdzēju, kad darbarīks darbojas. Darbarīks tiks sabojāts.

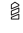
**IEVĒRĪBAI:** Lai režīma maiņas mehānisms ātri noliektos, pārliecinieties, ka darbības režīma maiņas gredzens vienmēr precīzi atrodas vienā no darba režīma pozīcijām.

## Triecienurbšana

Urbšanai betonā, mūrī u. c. pagrieziet darbības režīma maiņas gredzenu pret simbolu . Lietojiet urbja uzgali ar karbīdu.

► **Att.6:** 1. Darba režīma pārslēdzējs

## Parasta urbšana

Urbšanai kokā, metālā vai plastmasā pagrieziet darba režīma pārslēdzēju pret simbolu . Izmantojiet spirālurbja uzgali vai kokurbja uzgali.

► **Att.7:** 1. Darba režīma pārslēdzējs

## Elektronika

Lai atvieglotu lietošanu, darbarīks ir aprīkots ar elektroniskām funkcijām.

- Elektrobremze  
Darbarīks ir aprīkots ar elektrobremzi. Ja darbarīks regulāri neapstājas uzreiz pēc slēdža mēlītes atlaišanas, nododiet darbarīku Makita apkopes centrā, lai to salabotu.
- Nemainīga ātruma vadība  
Ātruma vadības funkcijas nodrošina nemainīgu griešanās ātrumu neatkarīgi no slodzes.

# MONTĀŽA

**⚠UZMANĪBU:** Pirms darbarīka regulēšanas vai apkopes vienmēr pārlicinieties, ka darbarīks ir izslēgts un akumulatora kasetne ir izņemta.

## Sānu rokturis (palīgrokturis)

**⚠UZMANĪBU:** Lai darbu veiktu droši, vienmēr izmantojiet sānu rokturi.

**⚠UZMANĪBU:** Pēc sānu roktura uzstādīšanas vai regulēšanas pārlicinieties, vai tas ir stingri nostiprināts un darbarīka izvirkājumi pilnībā iegulst sānu roktura rievās.

Lai uzstādītu sānu rokturi, rīkojieties, kā norādīts tālāk.

1. Atlaidiet spārnskrūvi uz sānu roktura.

▶ **Att.8:** 1. Spārnskrūve

2. Uzstādi sānu rokturi tā, lai roktura rievās iegulst darbarīka korpusa izciļņos, vienlaikus spiežot uz spārnskrūves.

▶ **Att.9:** 1. Spārnskrūve

3. Pieskrūvējiet spārnskrūvi, lai nostiprinātu rokturi. Rokturi ir iespējams nostiprināt vēlamojā leņķī.

## Urbja uzgaļa uzstādīšana un noņemšana

### Eļļošana

Noīriet skrāpja uzgaļa kāta galu un pirms skrāpja uzgaļa uzstādīšanas uzklājiet smērvielu. Pirms lietošanas uzklājiet nelielu daudzumu smērvielas (aptuveni 0,5 g–1 g) uz skrāpja kāta gala. Šādi ieeļļojot spīļpatronu, darbība būs vienmērīga un ekspluatācijas laiks paildzināsies.

▶ **Att.10:** 1. Kāta gals 2. Eļļošana

Ievietojiet urbja uzgali darbarīkā. Pagrieziet urbja uzgali un iespiediet to, līdz tas fiksējas.

Pēc uzstādīšanas vienmēr pārlicinieties, ka tas stingri turas, mēģinot uzgali izvilkt.

▶ **Att.11:** 1. Urbja uzgalis

Lai izņemtu urbja uzgali, nospiediet spīļpatronas aizsargu pilnībā uz leju un izvelciet urbja uzgali.

▶ **Att.12:** 1. Urbja uzgalis 2. Spīļpatronas aizsargs

### Dziļummērs

Dziļummērs ir noderīgs vienāda dziļuma caurumu uršanai.

Turiet nospieztu bloķēšanas pogu un ievietojiet dziļummēru atverē. Pārbaudiet, vai dziļummēra robotā mala ir vērsta pret atzīmi.

▶ **Att.13:** 1. Dziļummērs 2. Bloķēšanas poga 3. Atzīme 4. Robotā mala

Noregulējiet dziļummēru, to virzot uz priekšu un atpakaļ, kamēr nospiesta bloķēšanas poga. Pēc noregulēšanas atlaidiet bloķēšanas pogu, lai nofiksetu dziļummēru.

**PIEZĪME:** Pārlicinieties, ka dziļummērs, to piespīļnot, nesaskaras ar galveno darbarīka korpusu.

## Putekļu piltuve

### Papildpiederumi

Urbjot virs galvas līmeņa, izmantojiet putekļu piltuvi, lai putekļi nekristu uz darbarīka un jums. Piestipriniet putekļu piltuvi pie uzgaļa, kā parādīts attēlā. Tālāk norādīts uzgaļu izmērs, pie kuriem var piespīļnot putekļu piltuvi.

Modelis	Uzgaļa diametrs
Putekļu piltuve 5	6–14,5 mm
Putekļu piltuve 9	12–16 mm

▶ **Att.14:** 1. Putekļu piltuve

## Putekļu piltuves komplekts

### Papildpiederumi

## Putekļu piltuves komplekta uzstādīšana

**IEVĒRĪBAI:** Neizmantojiet putekļu piltuves komplektu, urbjot metālā vai tamlīdzīgā materiālā. Tā kā metāla putekļi un tamlīdzīgi materiāli rada karstumu, putekļu piltuves komplekts var tikt bojāts. Neuzstādi vai nenonemiet putekļu piltuves komplektu, ja darbarīkā ir uzstādīts urbja uzgalis. Tādējādi var sabojāt putekļu piltuves komplektu, un var rasties putekļu noplūde.

Pirms putekļu piltuves komplekta uzstādīšanas noņemiet no darbarīka urbja uzgali, ja tas ir uzstādīts.

1. Atlaidiet spārnskrūvi uz sānu roktura.

2. Uzstādot putekļu piltuves komplektu, raugieties, lai putekļu piltuves skavas iegūlas sānu roktura šķēlumus.

▶ **Att.15:** 1. Putekļu piltuves komplekts 2. Sānu rokturis

3. Uzstādi sānu rokturi tā, lai roktura rievā iegulst darbarīka izcīlni. Pieskrūvējiet spārnskrūvi, lai nostiprinātu sānu rokturi.

▶ **Att.16:** 1. Sānu rokturis 2. Rievā 3. Izvirkājums

**PIEZĪME:** Ja putekļu piltuves komplektam pievienojat putekļsūcēju, pirms pievienošanas noņemiet putekļu vāciņu.

▶ **Att.17:** 1. Putekļu vāciņš

## Urbja uzgaļa noņemšana

Lai izņemtu urbja uzgali, pavelciet spīļpatronas aizsargu pilnībā uz leju un izvelciet urbja uzgali.

▶ **Att.18:** 1. Urbja uzgalis 2. Spīļpatronas aizsargs

## Putekļu piltuves komplekta noņemšana

Lai noņemtu putekļu piltuves komplektu, rīkojieties, kā norādīts tālāk.

1. Atbrīvojiet sānu roktura spārnskrūvi. Noņemiet no darbarīka sānu rokturi.

► **Att.19:** 1. Spārnskrūve

2. Satveriet putekļu piltuves pamatni un izvelciet putekļu piltuvi.

**PIEZĪME:** Ja putekļu piltuves komplektu ir grūti noņemt, noņemiet putekļu piltuves skavas vienu pa vienai, virzot pusaplī un velkot putekļu piltuves pamatni.

► **Att.20:** 1. Putekļu piltuve

**PIEZĪME:** Ja vāciņš atvienojas no putekļu piltuves komplekta, uzlieciet to atpakaļ sākotnējā pozīcijā.

Lai atliktu vāciņu atpakaļ sākotnējā pozīcijā, izpildiet tālāk aprakstītās darbības.

1. Pagrieziet sifonu pretēji pulksteņrādītāju kustības virzienam un noņemiet to no putekļu piltuves komplekta savienojošās daļas, kamēr sifons ir atbloķēts.

► **Att.21:** 1. Sifons 2. Savienojošā daļa

2. Uzlieciet vāciņu atpakaļ ar apdrukāto pusi uz augšu.

► **Att.22:** 1. Vāciņš 2. Savienojošā daļa

3. Pārliecinieties, ka rievas ap vāciņu pareizi iegul savienojošās daļas augšējās atveres apmalē.

## Darbarīka cilpa

### Papildpiederumi

**⚠UZMANĪBU:** Neizmantojiet bojātu darbarīka cilpu un skrūvi. Pirms lietošanas vienmēr pārbaudiet aprīkojumu, lai atrastu bojājumus, plaisas un deformējušās daļas, kā arī pārliecinieties, ka skrūve ir cieši pievilktā.

**⚠UZMANĪBU:** Uzstādiel (vai noņemiet) darbarīka cilpu uz stabila galda vai virsmas. Izmantojiet tikai darbarīka cilpas komplektā iekļauto skrūvi. Kad darbarīka cilpa ir uzstādīta, pārbaudiet, vai darbarīka cilpas skrūve ir cieši pievilktā.

**⚠UZMANĪBU:** Neatvienojiet akumulatora kasetni, kamēr darbarīks ir pakarināts. Darbarīks var nokrist, ja skrūve nav cieši pievilktā.

Darbarīka cilpa ir paredzēta saites (stiprinājuma saites) pievienošanai.

Pirms darbarīka cilpas uzstādīšanas noņemiet gumijas uzliktņus no stiprināšanas bloka skrūvcauruma. Ievietojiet kvadrātuzgriezni zem stiprināšanas bloka. Nostipriniet darbarīka cilpu vietā, pievelkot skrūvi.

► **Att.23:** 1. Gumijas uzliktņis 2. Stiprināšanas bloks 3. Kvadrātuzgrieznis 4. Darbarīka cilpa 5. Skrūve

## Drošības brīdinājumi par saites (stiprinājuma saites) pievienošanu darbarīka cilpai

**⚠Specifiskie drošības brīdinājumi, strādājot lielā augstumā**

Izlasiet visus drošības brīdinājumus un norādījumus. Neievērojot brīdinājumus un norādījumus, iespējams gūt nopietnus ievainojumus.

1. **Strādājot augstumā, vienmēr nostipriniet darbarīku ar stiprinājuma saiti.** Saites maksimālais garums ir 2 m. Maksimālais pieļaujamais darbarīka krišanas augstums saitei (stiprinājuma saitei) nedrīkst pārsniegt 2 m.
  2. Izmantojiet tikai tādas saites, kas piemērotas šim darbarīka veidam un ir paredzētas vismaz 6,0 kg smagumam.
  3. **Nenostipriniet darbarīka saiti pie sava ķermeņa vai pie kustīgiem priekšmetiem.** Nostipriniet darbarīka saiti pie stingras konstrukcijas, kas var izturēt krītoša darbarīka radītos spēkus.
  4. **Pirms izmantošanas pārliecinieties, ka saites abi gali ir pienācīgi nostiprināti.**
  5. **Pirms katras izmantošanas reizes pārbaudiet, vai darbarīkam un saitei nav kādu bojājumu un tie veic savas funkcijas (pārbaudiet arī audumu un šuves).** Neizmantojiet, ja tiem ir bojājumi vai tie pienācīgi neveic savas funkcijas.
  6. **Netiniet saites ap asām vai raupjām šķautnēm un raugiet, lai saite ar šādām šķautnēm nesaskartos.**
  7. **Nostipriniet otru saites galu ārpus darba zonas, lai tā droši noturētu krītošu darbarīku.**
  8. **Pievienojiet saiti tā, lai darbarīks, ja tas krīt, pārvietotos virzienā prom no lietotāja.** Nokrītušā darbarīki šūposies saitē, un tas varētu izraisīt savainojumus vai līdzsvara zudumus.
  9. **Neizmantojiet kustīgu daļu vai darbojošos iekārtu tuvumā.** Pretējā gadījumā var būt sasišanas vai sapīšanās risks.
  10. **Nesot darbarīku, neturiet to aiz pievienotās ierīces vai saites.**
  11. **Ja vēlaties panemt darbarīku no vienas rokas otrā, vispirms nostājjieties stabilā pozīcijā.**
  12. **Pievienojiet saites darbarīkam tā, lai tās netraucētu slēdžu vai slēdža mēlītes fiksatoru (ja tāds pieejams) pareizai darbībai.**
  13. **Nesapīnieties saitē.**
  14. **Raugiet, lai saite neatrastos darbarīka urbšanas zonā.**
  15. **Izmantojiet stiprinājuma karabīni (daudzfunkciju un skrūvējuma savienojuma tipa).** Neizmantojiet vienkāršās karabīnes ar atsperes savienojumu.
  16. **Gadījumā, ja darbarīks nokrīt, tam jāpievieno etiķete, un to nedrīkst ekspluatēt; darbarīks ir jāpārbauda Makita rūpnīcā vai pilnvarotā servisa centrā.**
  17. **Nekariniet darbarīku pie jostas.** Sakaršets darbarīks un tā papildierīce var pieskarties jūsu ādai un radīt ievainojumus.
- **Att.24:** 1. Darbarīka cilpa 2. Saite (stiprinājuma saite)



# PUTEKĻU SAVĀKŠANAS SISTĒMA

## Papildpiederumi

Putekļu savākšanas sistēma ir paredzēta efektīvai putekļu savākšanai betona urbšanas laikā.

► **Att.25:** 1. Putekļu savākšanas sistēma

**▲UZMANĪBU:** Putekļu savākšanas sistēma ir paredzēta tikai urbšanai betonā. Nelietojiet putekļu savākšanas sistēmu, urbjot metālā vai kokmateriālā.

**▲UZMANĪBU:** Lietojot darbarīku ar putekļu savākšanas sistēmu, putekļu savākšanas sistēmai obligāti pievienojiet filtru, lai novērstu putekļu ieelpošanu.

**▲UZMANĪBU:** Pirms izmantojat putekļu savākšanas sistēmu, pārbaudiet, vai filtrs nav bojāts un vai iekšējā caurulē nav putekļu un svešķermeņu. Neievērojot šo noteikumu, var ieelpot putekļus.

**▲UZMANĪBU:** Putekļu savākšanas sistēma savāc ievērojamu radušos putekļu daudzumu, bet visus putekļus nav iespējams savākt.

**IEVĒRĪBAI:** Nelietojiet putekļu savākšanas sistēmu, urbjot ar kroņurbi vai kajot.

**IEVĒRĪBAI:** Nelietojiet putekļu savākšanas sistēmu darbam ar metālu vai koku. Putekļu savākšanas sistēma ir paredzēta tikai betonam.

**IEVĒRĪBAI:** Nelietojiet putekļu savākšanas sistēmu, urbjot mitrā betonā, un nelietojiet šo sistēmu mitrā vidē. Neievērojot šo noteikumu, var gūt ievainojumus.

## Uzstādīšana vai noņemšana

**IEVĒRĪBAI:** Pirms putekļu savākšanas sistēmas pievienošanas notīriet darbarīka un putekļu savākšanas sistēmas savienojuma vietas.

Svešķermeņi uz savienojuma vietām var traucēt pievienot putekļu savākšanas sistēmu. Ja gaisa atverē paliek putekļi, tie nonāk darbarīkā un izraisa gaisa plūsmas nosprostošanu vai darbarīka saplīšanu.

Lai uzstādītu putekļu savākšanas sistēmu, pilnībā ievietojiet darbarīku putekļu savākšanas sistēmā, līdz tas fiksējas vietā ar nelielu klikšķi.

► **Att.26**

Lai noņemtu putekļu savākšanas sistēmu, velciet darbarīku augšup, vienlaikus spiežot atbloķēšanas pogu.

► **Att.27:** 1. Atbloķēšanas poga

## Putekļu savākšanas sistēmas uzgaļa pozīcijas regulēšana

**▲UZMANĪBU:** Nevērsiet uzgali pret sevi vai citām personām, kad nospiežat vadotnes regulēšanas pogu, lai atvienotu uzgali.

Turiet nospiestu uzgala vadotnes regulēšanas pogu un bidiet uzgala vadotni uz priekšu un atpakaļ, līdz urbja uzgala gals atrodas tieši aiz uzgala vadotnes priekšējās virsmas; tad atlaidiet pogu.

► **Att.28:** 1. Vadotne 2. Vadotnes regulēšanas poga 3. Urbja uzgala gals 4. Uzgala priekšējā virsma

## Urbšanas dziļuma regulēšana

Urbšanas dziļumu var regulēt, mainot atstatumu starp dziļuma regulēšanas pogu un uzgala vadotnes balsta sviru. Turiet nospiestu dziļuma regulēšanas pogu un virziet to vēlamajā pozīcijā.

► **Att.29:** 1. Dziļuma regulēšanas poga 2. Uzgala vadotne 3. Uzgala vadotnes balsta svira 4. Urbšanas dziļums

## Netīrumu nosīšana no filtra

**▲UZMANĪBU:** Kamēr atvienojat putekļu tvertni no putekļu savākšanas sistēmas, nēgrieziet putekļu tvertnes ciparripu. Citādi varat ieelpot putekļus.

**▲UZMANĪBU:** Griežot putekļu tvertnes ciparripu, darbarīkam vienmēr jābūt izslēgtam. Griežot putekļu tvertnes ciparripu, kad darbarīks ir ieslēgts, varat zaudēt kontroli pār darbarīku.

Nosītot netīrumus no putekļu ietvarā esošā filtra, jūs saglabāsiet putekļu sūcēja efektivitāti un samazināsiet putekļu iztīrīšanas biežumu.

Kad savākti 50 000 mm<sup>3</sup> putekļu vai ja liekas, ka maznājusies putekļu sūcēja jauda, trīs reizes pagrieziet putekļu ietvara ripu.

**PIEZĪME:** 50 000 mm<sup>3</sup> putekļu rodas, izurbjot 10 caurumus, kuru diametrs ir 10 mm un dziļums ir 65 mm.

► **Att.30:** 1. Putekļu ietvars 2. Ripa

## Putekļu likvidēšana

**▲UZMANĪBU:** Pirms darbarīka regulēšanas vai apkopes vienmēr pārliecinieties, ka darbarīks ir izslēgts un akumulatora kasetne ir izņemta.

**▲UZMANĪBU:** Likvidējot putekļus, lietojiet respiratoru.

**▲UZMANĪBU:** Atbrīvojoties no putekļiem, pārlicinieties, vai darbarīks ir pilnībā apstājies.

**▲UZMANĪBU:** Regulāri iztukšojiet putekļu tvertni, pirms tā kļūvusi pilna. Neievērojot šo noteikumu, var samazināties putekļu savākšanas spēja un var ieelpot putekļus.

**▲UZMANĪBU:** Putekļu tvertnes filtram aizsprostojoties, samazinās putekļu savākšanas spēja. Iesakām putekļu filtru nomainīt pret jaunu apmēram pēc 200 putekļu savākšanas reizēm. Neievērojot šo noteikumu, var ieelpot putekļus.

1. Spiežot lejup putekļu tvertnes sviru, izņemiet putekļu tvertni.

► **Att.31:** 1. Svira

2. Atveriet putekļu tvertnes vāciņu.

► **Att.32:** 1. Vāciņš

3. Izberiet putekļus un pēc tam iztīriet filtru.

► **Att.33**

**IEVĒRĪBAI:** Tīrot filtru, ar roku viegli uzsitiet pa filtra korpusu, lai notīrītu putekļus. Nesitiet tieši pa filtru, pieskarieties filtram ar suku vai līdzīgu priekšmetu, kā arī nepūtiat filtrā saspiestu gaisu. Tādējādi varat sabojāt filtru.

## Putekļu tvertnes filtra maiņa

1. Spiežot lejup putekļu tvertnes sviru, izņemiet putekļu tvertni.

► **Att.34:** 1. Svira

2. Atveriet putekļu tvertnes filtra vāciņu.

► **Att.35:** 1. Filtra pārsegs

3. No filtra korpusa izņemiet filtru.

► **Att.36:** 1. Filtrs 2. Filtra korpus

4. Filtra korpusam pievienojiet jaunu filtru un tad uzstādiat filtra pārsegu.

5. Aizveriet putekļu tvertnes vāciņu un pēc tam pievienojiet putekļu tvertni pie putekļu savākšanas sistēmas.

## Hermētiskā vāciņa maiņa

1. Ievietojiet plakangala skrūvgriezi vienā no rievām, kas atrodas uzgaļa galvas sānos. Pagrieziet plakangala skrūvgriezi uz sāniem, lai saspiestu un izvirzītu hermētiskā vāciņa kubveida stiprinājumu. Tad noplēsiet hermētiskā vāciņa gumijas malu no uzgaļa galvas atveres malas.

► **Att.37:** 1. Hermētiskais vāciņš 2. Kubveida stiprinājums 3. Rieva 4. Uzgaļa galva

2. Ievietojiet vienu no jaunā hermētiskā vāciņa kubveida stiprinājumiem uzgaļa galvas rievas apakšdaļā, hermētiskā vāciņa iegremdēto virsmu turot pavērstu ar skatu uz priekšu.

► **Att.38:** 1. Kubveida stiprinājumi 2. Rievas apakšdaļa 3. Hermētiskais vāciņš 4. Iegremdētā virsma

3. Ievietojiet otru stiprinājumu pretējā pusē, pārvietojot hermētisko vāciņu tā, lai tas precīzi derētu uz uzgaļa galvas.

► **Att.39:** 1. Hermētiskais vāciņš 2. Kubveida stiprinājums 3. Rievas apakšdaļa 4. Uzgaļa galva 5. Malas

4. Uzmaniģi pārlieciet hermētiskā vāciņa gumijas malu pāri uzgaļa galvas atverei virzienā no apakšas uz augšu.

► **Att.40:** 1. Gumijas mala 2. Hermētiskais vāciņš 3. Uzgaļa galva

## EKSPLUATĀCIJA

**⚠UZMANĪBU:** Darba laikā vienmēr izmantojiet sānu rokturi (palīgrokturi) un stingri turiet darbarīku aiz abiem sānu rokturiem un slēdža roktura.

**⚠UZMANĪBU:** Pirms darba sākšanas vienmēr pārliecinieties, ka apstrādājama materiāls ir nostiprināts.

**⚠UZMANĪBU:** Nevelciet darbarīku ārā ar spēku pat tad, ja iesprūst uzgalis. Zaudējot kontroli, ir iespējams radīt ievainojumus.


**IEVĒRĪBAI:** Pirms izmantojat putekļu savākšanas sistēmu, izlasiet sadaļu par putekļu savākšanas sistēmu.

**PIEŽĪME:** Ja akumulatora kasetnes temperatūra ir zema, darbarīka darbība var tikt samazināta. Šādā gadījumā, lai panāktu darbarīka maksimālu veiktspēju, sasildiet akumulatora kasetni, tīsaicīgi darbinot darbarīku bez slodzes.

► **Att.41**

## Triecienurbšana

**⚠UZMANĪBU:** Cauruma izlaušanas brīdī, arī caurumam nosprostojojies ar skaidām un materiāla daļiņām vai trāpot betonā esošajiem armatūras stieņiem, uz darbarīku un urbja uzgali iedarbojas ārkārtīgi liels un pēkšņs vērpes spēks. **Darba laikā vienmēr izmantojiet sānu rokturi (palīgrokturi) un stingri turiet darbarīku aiz abiem sānu rokturiem un slēdža roktura.** Ja šādi nerīkosities, varat zaudēt darbarīka vadību un gūt smagas traumas.

Pagrieziet darbības režīma pārslēdzēju pret simbolu .

Novietojiet urbja uzgali vajadzīgā cauruma vietā, pēc tam nospiediet slēdža mēlīti.

Darba precizitātes un efektivitātes nolūkā pielieciet padeves spēku slēdža rokturim (galvenajam rokturim) un turiet sānu rokturi (papildu rokturi), lai saglabātu darbarīka līdzsvaru.

Saglabājiet darbarīku šādā stāvoklī un nepieļaujiet tā novirzīšanos no cauruma.

Ja caurums nosprostojas ar skaidām vai materiāla daļiņām, nespiediet darbarīku spēcīgāk. Tā vietā darbiniet darbarīku tukšgaitā, tad daļēji izvelciet urbja uzgali no cauruma. Veicot šo darbību atkārtoti, caurums tiks iztīrīts, un varēsiet atsākt parasto urbšanu.

**PIEŽĪME:** Darbinot darbarīku bez slodzes, urbja uzgaļa griešanās var nebūt centrēta. Darba laikā darbarīks iecentrējas automātiski. Tas neietekmē urbšanas precizitāti.

## Urbšana kokā vai metālā

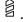
**⚠UZMANĪBU:** Stingri turiet darbarīku un īpaši uzmanieties brīdī, kad urbja uzgalis sāk virzīties cauri apstrādājamai daļai. Cauruma izveides brīdī uz darbarīku un uzgali iedarbojas ļoti liels spēks.

**⚠UZMANĪBU:** Iestrēgušu urbja uzgali var atbrīvot, vienkārši uzstādot griešanās virziena pārslēdzēju pretējā virzienā, lai urbis tiktu virzīts atpakaļ virzienā uz āru. Taču uzmanieties, jo, ja ierīci neturnēsiet stingri, tā var strauji virzīties atpakaļ.

**⚠UZMANĪBU:** Nelielas apstrādājamas detaļas vienmēr ievietojiet skrūvspīlēs vai citā stiprinājuma ierīcē.

**IEVĒRĪBAI:** Nekad neizmantojiet „trīcienurbšanas” režīmu, ja darbarīkam ir uzstādīta urbja spīļpatrona. Urbja spīļpatrona var tikt bojāta. Mainot darbarīka griešanās virzienu, urbja spīļpatrona nokrītīs.

**IEVĒRĪBAI:** Pārmērīgs spiediens uz darbarīku urbšanas ātrumu nepalielinās. Patiesībā pārmērīgs spiediens tikai sabojās urbja uzgali, samazinās darbarīka jaudu un saīsina tā kalpošanas laiku.

Pagrieziet darbības režīma maiņas gredzenu pret simbolu .

Piestipriniet spīļpatronas pāreju tādiā urbja spīļpatronai bez atslēgas, kurā var ievietot 1/2"-20 izmēra skrūvi, un tad piestipriniet to pie darbarīka. Veicot uzstādīšanu, skatiet sadaļu „Urbja uzgaļa uzstādīšana un noņemšana”.

► **Att.42:** 1. Urbja spīļpatronas mezgls 2. Spīļpatronas pāreja

## Izpūšanas balons

### Papildpiederumi

Pēc cauruma izurbšanas ar izpūšanas balonu iztīriet putekļus no cauruma.

► **Att.43**

## Putekļu piltuves komplekta lietošana

### Papildpiederumi

Lietojot darbarīku, turiet putekļu piltuves komplektu pret griestiem.

► **Att.44**

**IEVĒRĪBAI:** Nelietojiet putekļu piltuves komplektu, urbjot metālā vai tamlīdzīgā materiālā. Tā kā metāla putekļi un tamlīdzīgi materiāli rada karstumu, putekļu piltuves komplektu var sabojāt.

**IEVĒRĪBAI:** Neuzstādiet un nenoņemiet putekļu piltuves komplektu, ja darbarīkā ir ievietots urbja uzgalis. Tādējādi var sabojāt putekļu piltuves komplektu, un var rasties putekļu noplūde.

## APKOPE

**⚠UZMANĪBU:** Pirms darbarīka pārbaudes vai apkopes vienmēr pārliecinieties, ka darbarīks ir izslēgts un akumulatora kasetne ir izņemta.

**IEVĒRĪBAI:** Nekad neizmantojiet gazoļīnu, benzīnu, atšķaidītāju, spirtu vai līdzīgus šķidrumus. Tas var radīt izbalēšanu, deformāciju vai plaisas.

Lai saglabātu izstrādājuma DROŠU un UZTICAMU darbību, remontdarbus, apkopi un regulēšanu uzticiet veikt tikai Makita pilnvarotam vai rūpnīcas apkopes centram, un vienmēr izmantojiet tikai Makita rezerves daļas.

## PAPILDU PIEDERUMI

**⚠UZMANĪBU:** Šādi piederumi un papildierīces tiek ieteiktas lietošanai ar šajā rokasgrāmatā aprakstīto Makita darbarīku. Izmantojot citus piederumus vai papildierīces, var tikt radīta traumu gūšanas bīstamība. Piederumu vai papildierīci izmantojiet tikai paredzētajam mērķim.

Ja jums vajadzīga palīdzība vai precīzāka informācija par šiem piederumiem, vērsieties savā tuvākajā Makita apkopes centrā.

- Urbja uzgaļi ar karbīdu (SDS-Plus uzgaļi ar karbīdu)
- Spīļpatronas pāreja
- Urbja spīļpatrona bez atslēgas
- Uzgaļu smērviela
- Dziļummērs
- Izpūšanas balons
- Putekļu piltuve
- Putekļu piltuves komplekts
- Putekļu savākšanas sistēma
- Darbarīka cilpa
- Makita oriģinālais akumulators un lādētājs

**PIEZĪME:** Daži sarakstā norādītie izstrādājumi var būt iekļauti instrumenta komplektācijā kā standarta piederumi. Tie dažādās valstīs var būt atšķirīgi.

## SPECIFIKACIJOS

<b>Modelis:</b>		<b>DHR183</b>
Gręžimo galia	Betonas	18 mm
	Plienas	13 mm
	Medis	24 mm
Be apkrovos		0 – 1 100 min <sup>-1</sup>
Smūgių per minutę		0 – 5 000 min <sup>-1</sup>
Bendrasis ilgis (su BL1860B)		288 mm
Vardinė įtampa		Nuol. sr. 18 V
Grynasis svoris		2,1 – 2,9 kg

### Pasirenkamasis priedas

<b>Modelis:</b>		<b>DX16</b>
Siurbimo našumas		0,24 l/min
Veikimo eiga		Iki 105 mm
Tinkamas grąžto antgalis		Iki 165 mm
Grynasis svoris		0,77 kg

- Atliekame tęstinius tyrimus ir nuolatos tobuliname savo gaminius, todėl čia pateikiamos specifikacijos gali būti keičiamos be įspėjimo.
- Skirtingose šalyse specifikacijos gali skirtis.
- Svoris gali priklausyti nuo priedo (-ų), įskaitant akumulatoriaus kasetę. Lengviausias ir sunkiausias deriniai pagal EPTA 2014 m. sausio mėn. procedūrą yra parodyti lentelėje.

### Tinkama akumulatoriaus kasetė ir (arba) įkroviklis

Akumulatoriaus kasetė	BL1815N / BL1820B / BL1830B / BL1840B / BL1850B / BL1860B
Įkroviklis	DC18RC / DC18RD / DC18RE / DC18SD / DC18SE / DC18SF / DC18SH / DC18WC

- Atsižvelgiant į gyvenamosios vietos regioną, kai kurios pirmiau nurodytos akumulatoriaus kasetės ir įkrovikliai gali būti neprieinami.

**⚠️ ĮSPĖJIMAS:** Naudokite tik akumulatoriaus kasetes ir įkroviklius, kurie nurodyti anksčiau. Naudojant bet kurias kitas akumulatoriaus kasetes ir įkroviklius, gali kilti sužeidimo ir gaisro pavojus.

### Rekomenduojamas laidu prijungiamas maitinimo šaltinis

Nešiojamasis maitinimo šaltinis	PDC01
---------------------------------	-------

- Atsižvelgiant į gyvenamosios vietos regioną, pirmiau nurodytas (-i) laidu prijungiamas (-i) maitinimo šaltinis (-iai) gali būti neprieinamas (-i).
- Prieš naudodami laidu prijungiamą maitinimo šaltinį, perskaitykite instrukciją ir ant jų pateiktus perspėjimus.

### Numatytoji naudojimo paskirtis

Šis įrankis skirtas smūginiam ir paprastam plytų, betono ir akmens gręžimui. Taip pat jis tinka nesmūginiam medienos, metalo, keramikos ir plastmasės gręžimui.

### Triukšmas

Įprastas triukšmo A lygis, nustatytas pagal EN62841-2-6:

#### Modelis DHR183

Garso slėgio lygis ( $L_{pA}$ ): 90 dB (A)  
 Garso galios lygis ( $L_{WA}$ ): 101 dB (A)  
 Paklaida (K): 3 dB (A)

#### Modelis DHR183 su DX16

Garso slėgio lygis ( $L_{pA}$ ): 90 dB (A)  
 Garso galios lygis ( $L_{WA}$ ): 101 dB (A)  
 Paklaida (K): 3 dB (A)

**PASTABA:** Paskelbta (-os) triukšmo reikšmė (-ės) nustatyta (-os) pagal standartinį testavimo metodą ir jį galima naudoti vienam įrankiui palyginti su kitu.

**PASTABA:** Paskelbta (-os) triukšmo reikšmė (-ės) taip pat gali būti naudojama (-os) norint preliminariai įvertinti triukšmo poveikį.

**⚠️ JSPĖJIMAS:** Dėvėkite ausų apsaugą.

**⚠️ JSPĖJIMAS:** Faktiškai naudojant elektrinį įrankį, keliamo triukšmo dydis gali skirtis nuo paskelbtos (-ų) reikšmės (-ių), priklausomai nuo būdų, kuriais yra naudojamas šis įrankis, ir ypač nuo to, kokio tipo ruošinys apdirbamas.

**⚠️ JSPĖJIMAS:** Siekdami apsaugoti operatorių, būtina įvertinkite saugos priemones, remdamiesi vibracijos poveikio įvertinimu esant faktinėms naudojimo sąlygoms (atsižvelgdami į visas darbo ciklo dalis, pavyzdžiui, ne tik kiek laiko įrankis veikia, bet ir kiek kartų jis yra išjungiamas bei kai jis veikia be apkrovų).

## Vibracija

Šioje lentelėje nurodyta vibracijos bendroji vertė (triasio vektoriaus suma) nustatyta pagal taikomą standartą.

Darbo režimas	Vibracijos emisija	Paklaida (K)	Taikomas standartas / bandymo sąlyga
Smūginis betono gręžimas (a <sub>h</sub> , H <sub>D</sub> )	7,5 m/s <sup>2</sup>	1,5 m/s <sup>2</sup>	EN62841-2-6
	7,5 m/s <sup>2</sup>	1,5 m/s <sup>2</sup>	Rekomenduojamas praktinis veiksmas*
Smūginis betono gręžimas su DX16 (a <sub>h</sub> , H <sub>D</sub> )	7,6 m/s <sup>2</sup>	1,7 m/s <sup>2</sup>	EN62841-2-6
	7,7 m/s <sup>2</sup>	1,5 m/s <sup>2</sup>	Rekomenduojamas praktinis veiksmas*

\* Rekomenduojamo praktinio veiksmo bandymo sąlyga atitinka EN 62841-2-6, išskyrus tolesnius punktus.

- Siekiant darbinio tikslumo ir efektyvumo, tiekimo jėga veikia jungiklio rankeną (pagrindinę rankeną).
- Šoninė suėmimo vieta / rankena (pagalbinė rankena) laikoma siekiant subalansuoti įrankį.

**PASTABA:** Paskelbta (-os) vibracijos bendroji (-osios) reikšmė (-ės) nustatyta (-os) pagal standartinį testavimo metodą ir ji galima naudoti vienam įrankiui palyginti su kitu.

**PASTABA:** Paskelbta (-os) vibracijos bendroji (-osios) reikšmė (-ės) taip pat gali būti naudojama (-os) norint preliminariai įvertinti vibracijos poveikį.

**⚠️ JSPĖJIMAS:** Faktiškai naudojant elektrinį įrankį, keliamos vibracijos dydis gali skirtis nuo paskelbtos (-ų) reikšmės (-ių), priklausomai nuo būdų, kuriais yra naudojamas šis įrankis, ir ypač nuo to, kokio tipo ruošinys apdirbamas.

**⚠️ JSPĖJIMAS:** Siekdami apsaugoti operatorių, būtina įvertinkite saugos priemones, remdamiesi vibracijos poveikio įvertinimu esant faktinėms naudojimo sąlygoms (atsižvelgdami į visas darbo ciklo dalis, pavyzdžiui, ne tik kiek laiko įrankis veikia, bet ir kiek kartų jis yra išjungiamas bei kai jis veikia be apkrovų).

## Atitikties deklaracijos

### Tik Europos šalims

Atitikties deklaracijos įtrauktos į šios naudojimo instrukcijos A priedą.

# SAUGOS ĮSPĖJIMAI

## Bendrieji įspėjimai dirbant elektriniais įrankiais

**⚠️ JSPĖJIMAS** Perskaitykite visus saugos įspėjimus, nurodymus, peržiūrėkite paveikslėlius ir technines sąlygas, pateiktas su šiuo elektriniu įrankiu. Nesilaikant toliau pateiktų nurodymų, galima patirti elektros šoką, sunkų sužalojimą ir (arba) sukelti gaisrą.

## Išsaugokite visus įspėjimus ir instrukcijas, kad galėtumėte jas peržiūrėti ateityje.

Terminas „elektrinis įrankis“ pateiktuose įspėjimuose reiškia į maitinimo tinklą jungiamą (laidinį) elektrinį įrankį arba akumuliatoriaus maitinamą (belaidį) elektrinį įrankį.

## ĮSPĖJIMAI DĖL AKUMULIATORINIO SMŪGINIO GRĄŽTO SAUGOS

### Visų darbų saugos instrukcijos

1. **Naudokite klausos apsaugines priemones.** Nuo triukšmo galima prarasti klausą.
2. **Naudokite su įrankiu pridėtą išorinę rankeną (rankenas).** Nesuvaldžius įrankio, galima susižeisti.
3. **Atlikdami darbus, kurių metu pjovimo antgalis gali paliesti paslėptus laidus, laikykite elektrinį įrankį tik už izoliuotų, laikyti skirtų paviršių.** Pjovimo antgaliai prisilietus prie laido, kuriuo teka elektros srovė, įtampa gali būti perduota neizoliuotoms metalinėms elektrinio įrankio dalims ir operatorius gali patirti elektros šoką.

### Saugos instrukcijos su perforatoriais naudojant ilgus įrankius

1. **Visada pradėkite gręžti mažesnėmis apsuokomis, grąžtui liečiant ruošinį.** Sukdamasis didesnėmis apsuokomis ir neliesdamas ruošinio, grąžtas gali sulinkti ir sužaloti.
2. **Spauskite tik grąžto linijos kryptimi ir ne per stipriai.** Grąžtai gali sulinkti ir lūžti arba galite prarasti kontrolę ir susižaloti.

### Papildomi įspėjimai dėl saugos

1. Užsidėkite kietai galvos apdangalą (apsauginį šalną), apsauginius akinius ir (arba) veido skydelį. Įprastiniai akiniai ar akiniai nuo saulės NĖRA apsauginiai akiniai. Taip pat primygtinai rekomenduojama užsidėti kaukę, saugančią nuo dulkių, ir pirštines su storu pamušalu.
2. **Prieš pradėdami dirbti įsitikinkite, kad grąžtas tinkamai įtvirtintas.**
3. **Įprastai naudojant įrankį, jis vibruoja.** Varžtai gali lengvai atsiskirti, o tai gali tapti gedimo arba nelaimingo atsitikimo priežastimi. Prieš pradėdami dirbti atidžiai patikrinkite, ar varžtai gerai priveržti.
4. **Šaltu oru, arba jei įrankiu nesinaudojote ilgą laiką, leiskite įrankiui šiek tiek įšilti naudodami jį be apkrovos.** Tada tepalas suminkštės. Tinkamai neįšildžius įrankio, bus sunku kalti.

- Būtinai įsitikinkite, kad tvirtai stovite. Jei naudojate įrankį aukštai, įsitikinkite, ar apačioje nėra žmonių.
- Laikykite įrankį tvirtai už abiejų rankenų.
- Žiūrėkite, kad rankos būtų kuo toliau nuo judamųjų dalių.
- Nepalikite veikiančio įrankio. Naudokite įrankį tik laikydamis rankomis.
- Dirbdami nenukreipkite veikiančio įrankio į žmones. Kalamasis gražtas gali išlėkti ir ką nors sunkiai sužeisti.
- Nelieskite gražto, šalia esančių dalių arba ruošinio iškart po naudojimo; jie gali būti itin karšti ir nudeginti odą.
- Kai kuriose medžiagose esama cheminių medžiagų, kurios gali būti nuodingos. Saugokitės, kad neįkvėptumėte dulkių ir nesiliestumėte oda. Laikykitės medžiagų tiekėjo saugos duomenų.
- Prieš perduodami įrankį kitam asmeniui, visuomet įsitikinkite, kad įrankis išjungtas, o akumulatoriaus kasetė bei galiukas išimti.
- Prieš darbą įsitikinkite, kad darbinėje zonoje nėra tokių paslėptų objektų kaip elektros laidai, vandens vamzdžiai ar dujų vamzdžiai. Nes gražtas / kaltas gali juos paliesti ir dėl to gali nutrenkti elektra, nutekėti vanduo arba dujos.
- Be reikalo nenaudokite įrankio be apkrovos.

## SAUGOKITE ŠIAS INSTRUKCIJAS.

**⚠️PSPĖJIMAS:** NELEISKITE, kad patogumas ir gaminio pažinimas (įgyjamas pakartotinai naudojant) susilpnintų griežtą saugos taisyklių, taisytinių šiam gaminiui, laikymąsi. Dėl NETINKAMO NAUDOJIMO arba saugos taisyklių, kurios pateiktos šioje instrukcijoje, nesilaikymo galima rimtai susižeisti.

### Svarbios saugos instrukcijos, taikomos akumulatoriaus kasetei

- Prieš naudodami akumulatoriaus kasetę, perskaitykite visas instrukcijas ir perspėjimus ant (1) akumuliatorių įkroviklio, (2) akumuliatorių ir (3) akumuliatorių naudojančio gaminio.
- Neardykite ir negadinkite akumulatoriaus kasetės. Dėl to ji gali užsidegti, per daug įkaisti arba sprogti.
- Jei įrankio darbo laikas žymiai sutrumpėjo, nedelsdami nutraukite darbą su įrankiu. Tai gali kelti perkaitimo, nudegimų ar net sprogmą pavojų.
- Jei elektrolitas pateko į akis, plaukite jas tyru vandeniu ir nedelsdami kreipkitės į gydytoją. Gali kilti regėjimo praradimo pavojus.
- Neužtrumpinkite akumulatoriaus kasetės:
  - Nelieskite kontaktų degiomis medžiagomis.
  - Venkite laikyti akumulatoriaus kasetę kartu su kitais metaliniais daiktai, pavyzdžiui, vinimis, monetomis ir pan.
  - Saugokite akumulatoriaus kasetę nuo vandens ir lietaus.

- Trumpasis jungimas akumulatoriuje gali sukelti stiprią srovę, perkaitimą, galimus nudegimus ar net akumulatoriaus gedimą.
- Nelaiykite ir nenaudokite įrankio ir akumulatoriaus kasetės vietose, kur temperatūra gali pasiekti ar viršyti 50 °C (122 °F).
- Nedeginkite akumulatoriaus kasetės, net jei yra stipriai pažeista ar visiškai susidėvėjusi. Ugnyje akumulatoriaus kasetė gali sprogti.
- Akumulatoriaus kasetės nekalkite, nepjausytikite ir nemėtykite ir taip pat į ją netrunkykite kietu daiktu. Taip elgiantis, ji gali užsidegti, per daug įkaisti arba sprogti.
- Nenaudokite pažeisto akumulatoriaus.
- Įdėtos ličio jonų akumulatoriams taikomi Pavojingų prekių teisės akto reikalavimai. Komercinis transportas, pvz., trečiųjų šalių, prekių vežimo atstovų, turi laikytis specialaus reikalavimo ant pakuotės ir ženklavimo. Norėdami paruošti siųstiną prekę, pasitarkite su pavojingų medžiagų specialistu. Be to, laikykitės galimai išsamesnių nacionalinių reglamentų. Užklijuokite juosta arba padenkite atvirus kontaktus ir supakuokite akumuliatorių taip, kad ji pakuo-tėje nejudėtų.
- Kai išmetate akumulatoriaus kasetę, išimkite ją iš įrankio ir išmeskite saugioje vietoje. Vadovaukitės vietos reglamentais dėl akumuliatorių išmetimo.
- Baterijas naudokite tik su „Makita“ nurodytais gaminiais. Baterijas įdėjus į netinkamus gaminius gali kilti gaisras, gaminys pernelyg įkaisti, kilti sprogmąs arba pratekėti elektrolitas.
- Jeį įrankis bus ilgą laiką nenaudojamas, akumuliatorių būtina išimti iš įrankio.
- Darbo metu ir po akumulatoriaus kasetė gali būti įkaitusi ir dėl to nudeginti. Imdami akumulatoriaus kasetes, būkite atsargūs.
- Tuoju pat po naudojimo nelieskite įrankio gnybtų, nes jie gali būti įkaitę tiek, kad nudegins.
- Nelieskite, kad į akumulatoriaus kasetės gnybtus, angas ir griovelius patektų drožlių, dulkių ar žemių. Jos gali sukelti kaitimą, užsidegti, sprogti ir sukelti įrankio ar akumulatoriaus kasetės gedimą, dėl ko galima nusidėginti ar susižaloti.
- Jeigu įrankis nėra pritaikytas naudoti šalia aukštos įtampės elektros linijų, akumulatoriaus kasetės nenaudokite šalia aukštos įtampės elektros linijų. Dėl to gali sutrikti įrankio ar akumulatoriaus kasetės veikimas arba jie gali sugesti.
- Laikykite akumuliatorių vaikams nepasiekiamoje vietoje.

## SAUGOKITE ŠIAS INSTRUKCIJAS.

**⚠️PERSPĖJIMAS:** Naudokite tik originalų „Makita“ akumuliatorių. Neoriginalaus „Makita“ arba pakeisto akumulatoriaus naudojimas gali nulemti gaisrą, asmens sužalojimą ir pažeidimą. Tai taip pat panaikina „Makita“ suteikiamą „Makita“ įrankio ir įkroviklio garantiją.

## Patarimai, ką daryti, kad akumulatorius veiktų kuo ilgiau

1. Pakraukite akumulatoriaus kasetę prieš jai visiškai išsikraunant. Visuomet nustokite naudoti įrankį ir pakraukite akumulatoriaus kasetę, kai pastebite, kad įrankio galia sumažėjo.
2. Niekada nekraukite iki galo įkrautos akumulatoriaus kasetės. Perkraunant trumpėja akumulatoriaus eksploatacijos laikas.
3. Akumulatoriaus kasetę kraukite esant kambario temperatūrai 10 - 40 °C. Prieš pradėdami krauti, leiskite įkaitusiai akumulatoriaus kasetei atvėsti.
4. Kai akumulatoriaus kasetės nenaudojate, ją išimkite iš įrankio ar įkroviklio.
5. Įkraukite akumulatoriaus kasetę, jei jos nenaudojate ilgą laiką (ilgiau nei šešis mėnesius).

## VEIKIMO APRAŠYMAS

**▲ PERSPĖJIMAS:** Prieš pradėdami reguliuoti arba tikrinti įrankio veikimą, visuomet būtinai išjunkite įrankį ir išimkite akumulatoriaus kasetę.

### Akumulatoriaus kasetės uždėjimas ir nuėmimas

**▲ PERSPĖJIMAS:** Prieš įdėdami arba išimdami akumulatoriaus kasetę, visada išjunkite įrankį.

**▲ PERSPĖJIMAS:** Įdėdami arba išimdami akumulatoriaus kasetę, tvirtai laikykite įrankį ir akumulatoriaus kasetę. Jeigu įrankį ir akumulatoriaus kasetę laikysite netvirtai, jie gali išslыsti iš jūsų rankų, todėl įrankis ir akumulatoriaus kasetė gali būti sugadinti, o naudotojas sužalotas.

Jei norite įdėti akumulatoriaus kasetę, ant akumulatoriaus kasetės esančių liežuvėlių sutapdinkite su korpuso esančiu grioveliu ir įstumkite jai skirtą vietą. Įstatykite iki pat galo, kad spragtelėdama užsifikuotų. Jeigu matote raudoną sandariklį (indikatorių), kaip parodyta paveikslėlyje, ji nėra visiškai užfiksuota.

Jei norite išimti akumulatoriaus kasetę, ištraukite ją iš įrankio, stumdami mygtuką, esantį kasetės priekyje.

- **Pav.1:** 1. Raudonas sandariklis (indikatorius)  
2. Mygtukas 3. Akumulatoriaus kasetė

**▲ PERSPĖJIMAS:** Akumulatoriaus kasetę visada įkiškite iki galo, kol nebematysite raudono sandariklio (indikatoriaus) Priešingu atveju ji gali atsitiktinai iškristi iš įrankio ir sužeisti jus arba aplinkinius.

**▲ PERSPĖJIMAS:** Nekiškite akumulatoriaus kasetės jėga. Jeigu kasetė sunkiai lenda, ją kiškite netinkamai.

## Likusios akumulatoriaus galios rodymas

### Tik akumulatoriaus kasetėms su indikatoriumi

Paspauskite akumulatoriaus kasetės tikrinimo mygtuką, kad būtų rodoma likusi akumulatoriaus energija. Maždaug trims sekundėms užsidsę indikatorius lemputės.

- **Pav.2:** 1. Indikatorijų lemputės 2. Tikrinimo mygtukas

Indikatorijų lemputės			Likusi galia
Šviečia	Nešviečia	Blyksi	
■ ■ ■ ■		▬	75 - 100 %
■ ■ ■ □			50 - 75 %
■ ■ □ □			25 - 50 %
■ □ □ □			0 - 25 %
▬ □ □ □			Įkraukite akumulatorių.
■ ■ □ □			Galimai įvyko akumulatoriaus veikimo triktis.
□ □ ■ ■			

**PASTABA:** Rodmuo gali šiek tiek skirtis nuo faktinės energijos lygio – tai priklauso nuo naudojimo sąlygų ir aplinkos temperatūros.

**PASTABA:** Veikiant akumulatoriaus apsaugos sistemai ims mirksėti pirmoji (toliausiai kairėje) indikatoriaus lemputė.

## Įrankio / akumulatoriaus apsaugos sistema

Įrankyje įrengta įrankio / akumulatoriaus apsaugos sistema. Ši sistema automatiškai atjungia variklio maitinimą, kad įrankis ir akumulatorius ilgiau veiktų. Įrankis automatiškai išsijungs darbo metu esant vienai iš toliau nurodytų įrankio arba akumulatoriaus darbo sąlygų:

### Apsauga nuo perkrovos

Akumulatorių naudojant taip, kad susidaro neįprastai aukšta srovė, nepateikiant jokios indikacijos, įrankis automatiškai sustabdomas. Tokiu atveju išjunkite įrankį ir nutraukite darbą, dėl kurio įrankis buvo perkrautas. Tada įjunkite įrankį, kad jis būtų paleistas iš naujo.

### Apsauga nuo perkaitimo

Kai įrankis arba akumulatorius perkaista, įrankis automatiškai išsijungia. Tokiu atveju, prieš vėl įjungdami įrankį, leiskite įrankiui ir akumulatoriui atvėsti.

**PASTABA:** Jeigu įrankis perkaista, žybcioja lemputė.

## Apsauga nuo visiško išsekimo

Kai akumuliatoriaus įkrovos lygis nepakankamas, įrankis automatiškai išsijungia. Tokiu atveju ištraukite akumuliatorių iš įrankio ir įkraukite jį.

## Apsauga nuo kitų sutrikimų

Apsaugos sistema taip pat apsaugo nuo kitų sutrikimų, galinčių pažeisti įrankį, todėl automatiškai jį išjungia. Įrankiui laikinai sustojus arba veikimo metu išsijungus, imkitės visų toliau nurodytų veiksmų ir pašalinkite sutrikimo priežastis.

1. Išjunkite įrankį, tada vėl įjunkite, kad paleistumėte iš naujo.
2. Įkraukite akumuliatorių (-ius) arba jį (juos) pakeiskite įkrautu (-ais) akumuliatoriumi (-iais).
3. Palaukite, kol įrankis ir akumuliatorius (-iai) atvės.

Jei atšąčius apsaugos sistemą veikimas nepagerėja, kreipkitės į vietos „Makita“ techninės priežiūros centrą.

## Jungiklio veikimas

**⚠️ JSPĖJIMAS:** Prieš montuodami akumuliatoriaus kasetę įrankyje, visuomet patikrinkite, ar gaidukas tinkamai veikia ir atleistas grįžta į išjungimo padėtį „OFF“.

Jei norite paleisti įrankį, tiesiog patraukite jungiklio gaiduką. Stipriau spaudžiant jungiklio gaiduką, įrankio veikimo greitis didėja. Norėdami išjungti, atleiskite svirtinį gaiduką.

► **Pav.3:** 1. Gaidukas

## Priekinės lemputės uždegimas

**⚠️ PERSPĖJIMAS:** Nežiūrėkite tiesiai į šviesą arba šviesos šaltinį.

Paspauskite gaiduką, kad užsidegtų lemputė. Lemputė švies tol, kol spausite gaiduką. Atleidus jungiklio gaiduką, lemputė užgęsta maždaug po 10 sekundžių.

► **Pav.4:** 1. Lemputė

**PASTABA:** Purvą nuo lemos objektyvo nuvalykite sausu skudurėliu. Būkite atsargūs, kad nesubraižytumėte lemos objektyvo, nes pablogės apšvietimas.

**PASTABA:** Jei įrankis perkaista, pradeda mirksėti lemputė. Tokiu atveju atleiskite gaiduką ir prieš naudodami vėl leiskite įrankiui (akumuliatoriui) atvėsti.

**PASTABA:** Priekinės lemos negalima naudoti, kai ant įrankio uždėta dulkių surinkimo sistema (pasirenkamas priedas).

## Atbulinės eigos jungimas

**⚠️ PERSPĖJIMAS:** Prieš naudodami visuomet patikrinkite sukimosi kryptį.

**⚠️ PERSPĖJIMAS:** Atbulinės eigos jungiklį naudokite tik įrankiui visiškai sustojus. Jei keisite sukimosi kryptį prieš įrankiui sustojant, galite sugadinti įrankį.

**⚠️ PERSPĖJIMAS:** Kai nenaudojate įrankio, visuomet nustatykite atbulinės eigos jungiklio svirtelę į neutralią padėtį.

Šis įrankis turi atbulinės eigos jungiklį sukimosi kryptiai keisti. Nuspauskite atbulinės eigos jungiklio svirtelę iš A pusės, kad suktysi pagal laikrodžio rodyklę, arba iš B pusės, kad suktysi prieš laikrodžio rodyklę. Kai atbulinės eigos jungiklio svirtelė yra neutralioje padėtyje, jungiklio spausiti negalima.


► **Pav.5:** 1. Atbulinės eigos svirtelė

## Veikimo režimo pasirinkimas

**PASTABA:** Nesukite veikimo režimo keitimo rankenėlės, kai įrankis įjungtas. Galite sugadinti įrankį.


**PASTABA:** Norėdami išvengti greito režimo keitimo mechanizmo nusidėvėjimo, pakeitę režimą visada patikrinkite, ar tiksliai nustatėte veikimo režimo keitimo rankenėlę vienoje iš veikimo režimo padėčių.

## Kalamasis gręžimas

Norėdami gręžti betoną, mūrą ir pan., pasukite veikimo režimo keitimo rankenėlę ties  simboliu. Naudokite karbidinį grąžto antgalį.

► **Pav.6:** 1. Veikimo režimo keitimo svirtelė

## Tik gręžimas

Norėdami gręžti medį, metalą arba plastmasę, pasukite veikimo režimo keitimo rankenėlę ties simboliu . Naudokite spiralinį arba medžio grąžtą.

► **Pav.7:** 1. Veikimo režimo keitimo svirtelė

## Elektroninė funkcija

Prietaise yra elektroninė funkcija paprastam naudojimui.

- Elektrinis stabdiklis  
Šiame įrankyje įrengtas elektrinis stabdiklis. Jeigu atleidus gaiduką įrankis nuolat greitai nesustoja veikti, nugabenkite įrankį į „Makita“ priežiūros centrą techninei apžiūrai atlikti.
- Nuolatinis greičio reguliavimas  
Greičio kontrolės funkcija užtikrina pastovų sukimosi greitį, nepriklausomai nuo apkrovos.



## SURINKIMAS

**⚠ PERSPĖJIMAS:** Prieš darydami ką nors įrankiui visada patikrinkite, ar įrenginys išjungtas, o akumuliatorių kasetė – nuimta.

### Šoninė rankena (papildoma rankena)

**⚠ PERSPĖJIMAS:** Visada naudokitės šonine rankena, kad užtikrintumėte darbo saugą.

**⚠ PERSPĖJIMAS:** Sumontavę arba sureguliuavę šoninę rankeną, pasirūpinkite, kad ji būtų saugiai pritvirtinta: įrankio iškyšos turi būti sujungtos su šoninės rankenos grioveliais.

Norėdami įdėti šoninę rankeną, atlikite toliau pateiktus veiksmus.

1. Atsukite šoninės rankenos sparnuoją veržlę.  
▶ **Pav.8:** 1. Sparnuotoji veržlė
2. Spausdami sparnuoją veržlę, sumontuokite šoninę rankeną taip, kad jos grioveliai būtų įstatyti į iškyšas įrankyje.  
▶ **Pav.9:** 1. Sparnuotoji veržlė
3. Užveržkite sparnuoją veržlę rankenai pritvirtinti. Rankeną galima užfiksuoti, pakreipus norimu kampu.

## Gražto įdėjimas ir išėmimas

### Tepalas

Nuvalykite antgalio gražto galvutę ir sutepkite prieš įdėdami antgalį. Antgalio gražto galvutę iš anksto ištepkite nedideliu gražto tepalo kiekiu (maždaug 0,5 g–1 g). Jeigu kumštelinis griebtuvas šitaip tepamas bus nuolatos, įrenginys sklandžiai veiks ir jį bus galima eksploatuoti kur kas ilgiau.

▶ **Pav.10:** 1. Gražto galvutė 2. Tepalas

Įkiškite gražtą į įrankį. Pasukite gražtą ir stumkite, kol įsistatys. Sumontavę gražtą, visada patikrinkite, ar gražtas saugiai laikosi, pabandydami jį ištraukti.

▶ **Pav.11:** 1. Gražtas

Norėdami ištraukti gražtą, kumštelinį griebtuvą iki galo atitraukite žemyn ir ištraukite gražtą.

▶ **Pav.12:** 1. Gražtas 2. Kumštelinio griebtuvo gaubtas

## Gylio ribotuvus

Gylio ribotuvą patogiu naudoti gręžiant vienodo gylio skylės.

Laikykite nuspaudę fiksavimo mygtuką, tada įkiškite gylio ribotuvą į skylę. Užtikrinkite, kad dantytoji gylio ribotuvo pusė būtų atsukta į žymą.

▶ **Pav.13:** 1. Gylio ribotuvus 2. Fiksavimo mygtukas 3. Žymėjimas 4. Dantyta pusė

Pareguliuokite gylio ribotuvą norimam gyliui, laikydami nuspaudę fiksavimo mygtuką ir traukdami arba stumdami gylio ribotuvą. Pareguliuavę, atleiskite fiksavimo mygtuką, kad gylio ribotuvus būtų užfiksuotas.

**PASTABA:** Kai tvirtinate, užtikrinkite, kad gylio ribotuvus nelieštų įrankio pagrindinio korpuso.

## Dulkių rinktuvas

### Pasirenkamasis priedas

Dulkių rinktuvas skirtas tam, kad dulkęs nekristų ant įrenginio ir jūsų, kai dirbate gražtą iškelę virš galvos. Prie galvutės pritvirtinkite dulkių rinktuvą. Toliau nurodyti galvučiai, prie kurių galima pritvirtinti dulkių rinktuvą, dydžiai.

Modelis	Galvutės skersmuo
Dulkių rinktuvas 5	6–14,5 mm
Dulkių rinktuvas 9	12–16 mm

▶ **Pav.14:** 1. Dulkių rinktuvas

## Dulkių rinktuvo komplektas

### Pasirenkamasis priedas

## Dulkių rinktuvo komplekto montavimas

**PASTABA:** Nenaudokite dulkių rinktuvo, gręždami metalą arba panašią medžiagą. Dėl mažų metalo dulkių ar kitų dalelių išskiriamo karščio dulkių rinktuvas gali būti sugadintas. Nedėkite ir neišimkite dulkių rinktuvo komplekto, kai gražtas yra įdėtas į įrankį. Dulkių rinktuvo komplektas gali būti sugadintas ir dulkęs gali pasklisti.

Prieš įdėdami dulkių rinktuvo komplektą, išimkite gražtą iš įrankio, jeigu jis įdėtas.

1. Atsukite šoninės rankenos sparnuoją veržlę.
2. Įdėkite dulkių rinktuvo komplektą taip, kad dulkių rinktuvo žiaunos tilptų į šoninės rankenos plyšius.  
▶ **Pav.15:** 1. Dulkių rinktuvo komplektas 2. Šoninė rankena

3. Sumontuokite šoninę rankeną taip, kad ant jos esantys grioveliai tilptų tarp įrankio iškyšų. Užveržkite sparnuoją veržlę šoninei rankenai pritvirtinti.

▶ **Pav.16:** 1. Šoninė rankena 2. Griovelis 3. Iškyša

**PASTABA:** Jeigu prie dulkių rinktuvo komplekto prijungsite dulkių siurbį, prieš jungdami, nuimkite dulkių dangtelį.

▶ **Pav.17:** 1. Dulkių dangtelis

## Gražto išėmimas

Norėdami ištraukti gražtą, atitraukite kumštelinio griebtuvo gaubtą iki galo žemyn ir ištraukite gražtą.

▶ **Pav.18:** 1. Gražtas 2. Kumštelinio griebtuvo gaubtas

## Dulkių rinktuvo komplekto nuėmimas

Norėdami nuimti dulkių rinktuvo komplektą, atlikite toliau nurodytus veiksmus.

1. Atsukite šoninės rankenos sparnuotąją veržlę. Nuimkite nuo įrankio šoninę rankeną.  
► **Pav.19:** 1. Sparnuotoji veržlė
2. Laikykite už dulkių rinktuvo pagrindo ir jį ištraukite.

**PASTABA:** Jeigu dulkių rinktuvo komplektą sunku išimti, po vieną išimkite dulkių rinktuvo žiaunas, pasukdami ir traukdami dulkių rinktuvo pagrindą.

- **Pav.20:** 1. Dulkių rinktuvas

**PASTABA:** Jeigu nuo dulkių rinktuvo komplekto nusiėmė dangtelis, vėl jį uždėkite.

Norėdami gražinti dangtelį į pradinę padėtį, vykdykite toliau nurodytus žingsnius.

1. Sukite gofruotąsias dalis prieš laikrodžio rodyklę ir atrakinę nuimkite nuo dulkių rinktuvo komplekto tvirtinimo įtaisus.  
► **Pav.21:** 1. Gofruotosios dalys 2. Tvirtinimo įtaisai
2. Vėl nustatykite dangtelį, pusę su simboliais nukreipę aukštyn.  
► **Pav.22:** 1. Dangtelis 2. Tvirtinimo įtaisai
3. Žiūrėkite, kad grioveliai aplink dangtelį gerai priglustų prie tvirtinimo įtaiso viršutinės angos briaunų.

## Įrankio pakaba

### Pasirenkamasis priedas

**▲PERSPĖJIMAS:** Nenaudokite sugadintų įrankio pakabos ir varžto. Prieš naudojimą visada patikrinkite, ar nėra pažeidimų, įtrūkimų arba deformacijos, bei įsitinkinkite, kad varžas užveržtas.

**▲PERSPĖJIMAS:** Įrankio pakabą tvirtinkite arba nuimkite ant stabilaus stalo arba paviršiaus. Būtinai naudokite tik su įrankio pakaba pateiktą varžtą. Sumontavę įrankio pakabą, įsitinkinkite, kad ji patikimai įtvirtinta varžtu.

**▲PERSPĖJIMAS:** Kai kabinate įrankį, nebandykite ištraukti akumuliatoriaus kasetės. Jei varžto neužveršite, įrankis gali nukristi.

Įrankio pakaba skirta saugos dirželiui (diržui) prijungti.

Prieš pritvirtindami įrankio pakabą, nuo montavimo laikiklyje esančios varžto skylutės nuimkite guminį gaubtelį. Įkiškite po laikiklio kvadratinę veržlę. Priveržkite įrankio pakabą varžtu.

- **Pav.23:** 1. Guminis gaubtelis 2. Montavimo laikiklis 3. Kvadratinė veržlė 4. Įrankio pakaba 5. Varžtas

## Saugos įspėjimai dėl saugos dirželio (diržo) tvirtinimo prie įrankio pakabos

**▲Saugos įspėjimai naudojant aukštai Perskaitykite visus saugos įspėjimus ir nurodymus. Nepaisant įspėjimų ir nurodymų, galima sunkiai susižeisti.**

1. Kai dirbate aukštai, įrankį visada laikykite pririštą. Maksimalus saugos dirželio ilgis yra 2 m. Didžiausias leistinas saugos dirželio (diržo) kritimo aukštis neturi viršyti 2 m.
  2. Naudokite tik šiam įrankio tipui tinkamus saugos diržus, skirtus bent 6,0 kg.
  3. Netvirtinkite įrankio saugos diržo prie savęs ar ant judančių dalių. Įrankio saugos diržą tvirtinkite prie tvirtos konstrukcijos, kad jis išlaikytų numesto įrankio jėgas.
  4. Prieš naudojimą įsitinkinkite, kad saugos diržas yra tinkamai pritvirtintas kiekviename gale.
  5. Prie kiekvieną naudojimą patikrinkite įrankį ir saugos diržą, ar nesugadinti ir tinkamai veikia (įskaitant audinį ir siūles). Jeigu sugadinti arba veikia netinkamai, nenaudokite.
  6. Nevyniokite saugos diržų aplink ir neleiskite jiems liestis prie aštrių ar grubių kraštų.
  7. Kitą saugos diržo galą pritvirtinkite ne darbo zonoje, kad krinantis įrankis būtų saugiai prilaikomas.
  8. Pritvirtinkite saugos diržą taip, kad įrankis kritimo atveju judėtų tolyn nuo operatoriaus. Nukritę įrankiai supsis ant saugos diržo, todėl galima susižaloti arba prarasti pusiausvyrą.
  9. Nenaudokite šalia judančių dalių ar veikiančių įrengimų. Jeigu nesilaikysite šio nurodymo, gali kilti sutraiškymo ar įsispainiojimo pavojus.
  10. Neneškite įrankio, paėmę už tvirtinimo įtaiso arba saugos diržo.
  11. Įrankį iš vienos rankos į kitą perimkite tik tada, kai galite tinkamai išlaikyti pusiausvyrą.
  12. Netvirtinkite saugos diržų prie įrankio taip, kad jungikliai ar gaiduko užraktas (jei tiekiamas) negalėtų tinkamai veikti.
  13. Stenkitės nesusipainioti saugos diržuose.
  14. Saugos diržą laikykite kuo toliau nuo įrankio gręžimo vietos.
  15. Naudokite fiksavimo karabiną (atkabinamą keliais veiksmams ir turintį varžtinį fiksatorių). Nenaudokite vienu veiksmu užkabinamų spyruoklinių karabinų.
  16. Jeigu įrankis numetamas, jis turi būti pažymėtas ir pašalintas iš eksploatacijos; jį taip pat turi patikrinti „Makita“ gamykla ar įgaliotasis aptarnavimo centras.
  17. Nekabinkite įrankio ant savo juosmens. Įkaitęs įrankis ar jo priedas gali paliesti odą ir nudeginti.
- **Pav.24:** 1. Įrankio pakaba 2. Saugos diržas (diržas)

# DULKIŲ SURINKIMO SISTEMA

## Pasirenkamasis priedas

Dulkių surinkimo sistema yra skirta dulkėms efektyviai rinkti, atliekant betono gręžimo darbus.

► **Pav.25:** 1. Dulkių surinkimo sistema

**▲PERSPĖJIMAS:** Dulkių surinkimo sistema skirta naudoti tik gręžiant betoną. Nenaudokite dulkių surinkimo sistemos, gręždami metalą arba medieną.

**▲PERSPĖJIMAS:** Kai įrankį naudojate kartu su dulkių surinkimo sistema, būtinai prie dulkių surinkimo sistemos pritvirtinkite filtrą, kuris apsaugos, kad neįkvėptumėte dulkių.

**▲PERSPĖJIMAS:** Prieš pradėdami naudoti dulkių surinkimo sistemą, patikrinkite, ar filtras nepažeistas ir ar vidiniame vamzdyje nėra dulkių bei pašalinių medžiagų. Nesilaikant šių nurodymų, gali kilti pavojus įkvėpti dulkių.

**▲PERSPĖJIMAS:** Dulkių surinkimo sistema surenka dideliu greičiu susidarancias dulkes, tačiau gali būti surinktos ne visos dulkės.

**PASTABA:** Nenaudokite dulkių surinkimo sistemos gręždami deimantiniu šerdimiu grąžtu arba kaldami.

**PASTABA:** Nenaudokite dulkių surinkimo sistemos dirbdami su metalu ar mediena. Dulkių surinkimo sistema skirta naudoti tik dirbant su betonu.

**PASTABA:** Nenaudokite dulkių surinkimo sistemos gręždami drėgną betoną arba nenaudokite jos drėgnoje vietoje. Nesilaikant šių nurodymų, kyla įrankio sugadinimo pavojus.

## Įrengimas ir nuėmimas

**PASTABA:** Prieš įrengdami dulkių surinkimo sistemą, nuvalykite įrankio ir dulkių surinkimo sistemos jungiamąsias dalis. Dėl ant jungiamųjų dalių esančių pašalinių medžiagų gali būti sunku įrengti dulkių surinkimo sistemą. Jei oro angoje liks dulkių, jos pateks į įrankį ir užblokuos oro srautą arba apgadinis įrankį.

Norėdami įrengti dulkių surinkimo sistemą, iki galo įkiškite įrankį į ją, kol jis spragtelėdamas užsifiksuos.

► **Pav.26**

Norėdami nuimti dulkių surinkimo sistemą, traukite įrankį aukštyn, spausdami atlaisvinimo mygtuką.

► **Pav.27:** 1. Atlaisvinimo mygtukas

## Dulkių surinkimo sistemos antgalio padėties nustatymas

**▲PERSPĖJIMAS:** Paspausdami kreiptuvo reguliavimo mygtuką ir atlaisvindami antgalį, nenukreipkite antgalio į save ar kitus žmones.

Įstumkite ir ištraukite antgalio kreiptuvą spausdami kreiptuvo reguliavimo mygtuką, tada mygtuką atleiskite tiksliai toje vietoje, kur grąžtas yra už priekinio antgalio paviršiaus.

► **Pav.28:** 1. Kreiptuvas 2. Kreiptuvo reguliavimo mygtukas 3. Grąžto galiukas 4. Antgalio priekinis paviršius

## Gręžimo gylio reguliavimas

Gręžimo gylį galima reguliuoti keičiant atstumą tarp gylio reguliavimo mygtuko ir antgalio kreiptuvo atraminio peties. Laikykite nuspaudę gylio reguliavimo mygtuką, tada nuslinkite jį į savo pageidaujamą padėtį.

► **Pav.29:** 1. Gylio reguliavimo mygtukas 2. Antgalio kreiptuvas 3. Antgalio kreiptuvo atraminis petys 4. Gręžimo gylis

## Dulkių iš filtro pašalinimas

**▲PERSPĖJIMAS:** Nesukite ant dulkių rinktuvo esančio ratuko, kai dulkių rinktuvas nuimamas nuo dulkių surinkimo sistemos. Taip darant galima įkvėpti dulkių.

**▲PERSPĖJIMAS:** Visada išjunkite įrankį, kai sukate ant dulkių rinktuvo esančią ratuką. Pasukus ratuką veikiant įrankiui, įrankis gali tapti nevaldomas.

Pašalinant dulkes iš dulkių rinktuve esančio filtro galima palaikyti siurbimo našumą ir sumažinti kartų, kuriuos reikės pašalinti dulkes, skaičių. Kaskart susirinkus 50 000 mm<sup>3</sup> dulkių ar kai jaučiate, kad siurbimo našumas suprastėjo, pasukite ant dulkių rinktuvo esančią ratuką tris kartus.

**PASTABA:** 50 000 mm<sup>3</sup> dulkių atitinka 10 išgręžtų 10 mm skersmens ir 65 mm gylio skylių.

► **Pav.30:** 1. Dulkių rinktuvas 2. Ratukas

## Dulkių išmetimas

**▲PERSPĖJIMAS:** Prieš darydami ką nors įrankiui visada patikrinkite, ar įrenginys išjungtas, o akumuliatorių kasetė – nuimta.

**▲PERSPĖJIMAS:** Išmesdami dulkes būtinai naudokite nuo dulkių apsaugančią kaukę.

**▲PERSPĖJIMAS:** Prieš išmesdami dulkes, užtikrinkite, kad įrankis būtų visiškai sustabdytas.

**▲PERSPĖJIMAS:** Prieš prisipildant dulkių rinktuvui, jį reguliariai ištuštinkite. To nepadarius, gali sumažėti dulkių surinkimo našumas ir galima įkvėpti dulkių.

**▲PERSPĖJIMAS:** Dulkių surinkimo našumas sumažėja, jei užsikemša dulkių rinktuve esantis filtras. Pakeiskite filtrą nauju, kai dulkių rinktuvas užsipildo maždaug 200 kartų (orientytras). Nesilaikant šių nurodymų, kyla pavojus įkvėpti dulkių.

1. Spausdami ant dulkių rinktuvo esančią svirtį, nuimkite dulkių rinktuvą.

► **Pav.31:** 1. Svirtis

2. Atidarykite dulkių rinktuvo dangtelį.

► **Pav.32:** 1. Dangtelis

3. Pašalinkite dulkes, tada išvalykite filtrą.

► **Pav.33**

**PASTABA:** Valydami filtrą, kad pašalintumėte dulkes, filtro korpusą švelniai patapšnokite ranka. Netapšnokite tiesiai per filtrą; filtro nelieskite šepetiu ar panašiu daiktu, taip pat į filtrą nepūs-  
kite suslėgto oro. Taip darydami, galite sugadinti filtrą.

## Dulkių rinktuvo filtro pakeitimas

1. Spausdami ant dulkių rinktuvo esančią svirtį, nuimkite dulkių rinktuvą.

► **Pav.34:** 1. Svirtis

2. Atidarykite dulkių rinktuvo filtro dangtelį.

► **Pav.35:** 1. Filtro dangtelis

3. Išimkite filtrą iš filtro dėklo.

► **Pav.36:** 1. Filtras 2. Filtro dėklas

4. Pritvirtinkite naują filtrą prie filtro dėklo, tada pritvirtinkite filtro dangtelį.

5. Uždarykite dulkių rinktuvo dangtelį, tada dulkių rinktuvą pritvirtinkite prie dulkių surinkimo sistemos.

## Sandarinimo dangtelio pakeitimas

1. Įkiškite plokščiąjį atsuktuvą į vieną iš griovelių, įrengtų antgalio galvutės šonuose. Pakreipkite plokščiąjį atsuktuvą tokiu kampu, kad suspaustumėte ir ištrauktumėte sandarinimo dangtelio kampuotąjį kablį. Tada atplėškite sandarinimo dangtelio guminį kraštą nuo antgalio galvutės angos briaunų.

► **Pav.37:** 1. Sandarinimo dangtelis 2. Kampuotasis kablys 3. Griovelis 4. Antgalio galvutė

2. Vieną iš naujo sandarinimo dangtelio kampuotųjų kablį įstatykite į antgalio galvutės griovelio apatinę dalį, kad sandarinimo dangtelio įdubęs paviršius būtų nukreiptas pirmyn.

► **Pav.38:** 1. Kampuotieji kabliai 2. Griovelio apatinė dalis 3. Sandarinimo dangtelis 4. Įdubęs paviršius

3. Kitą kablį įstatykite priešingoje pusėje, tuo pat metu sumontuodami sandarinimo dangtelį taip, kad jis gerai prisitvirtintų prie antgalio galvutės.

► **Pav.39:** 1. Sandarinimo dangtelis 2. Kampuotasis kablys 3. Griovelio apatinė dalis 4. Antgalio galvutė 5. Briaunos

4. Sandarinimo dangtelio guminį kraštą atsargiai užmaukite ant antgalio galvutės angos briaunų, iš apačios į viršų.

► **Pav.40:** 1. Guminis kraštas 2. Sandarinimo dangtelis 3. Antgalio galvutė

## NAUDOJIMAS

**▲PERSPĖJIMAS:** Darbo metu visada tvirtai laikykite įrankį už šoninės (papildoma rankena) ir pagrindinės rankenų.

**▲PERSPĖJIMAS:** Prieš darbą visada įtvirtinkite ruošinį.

**▲PERSPĖJIMAS:** Netraukite įrankio jėga, net tada, kai grąžtas užstringa. Nesuvaldžius įrankio, galima susižeisti.


**PASTABA:** Prieš naudodami dulkių surinkimo sistemą su įrankiu, perskaitykite skyrių apie šią sistemą.

**PASTABA:** Jeigu akumuliatoriaus kasetė yra žemos temperatūros, gali būti nepasiekta visa įrankio galia. Šiuo atveju sušildykite akumuliatoriaus kasetę, naudodami įrankį be apkrovos, kad pasiektumėte visą įrankio galią.

► **Pav.41**

## Smūginis gręžimas

**▲PERSPĖJIMAS:** Įrankį / grąžto galvutę veikia didelė ir staigi sukamoji jėga, kai gręžiama skylė ir ji prisipildo nuolaužų ir dalelių arba kai įrankis / grąžto galvutė atsitrenkia į betone esančią armatūrą. **Darbo metu visada tvirtai laikykite įrankį už šoninės (papildoma rankena) ir pagrindinės rankenų.** Kitaip galite prarasti įrankio valdymą ir susižeisti.

Nustatykite veikimo režimo keitimo rankenėlę ties simboliu .

Nustatykite grąžtą toje vietoje, kurioje gręšite skylę, ir nuspauskite gaiduką.

Siekdami užtikrinti darbinį tikslumą ir efektyvumą, spauskite jungiklio rankeną (pagrindinę rankeną). Siekdami subalansuoti įrankį, laikykite už šoninės suėmimo vietos (pagalbinės rankenos).

Laikykite įrankį šioje padėtyje ir saugokite, kad nenu-slystų nuo skylės.

Nespauskite stipriau, kai skylė prisipildo nuolaužų ir dalelių. Vietoj to leiskite įrankiui šiek tiek paveikti tuščiąja eiga, tada iš dalies ištraukite grąžto galvutę iš skylės. Pakartojus tai keletą kartų, skylė bus išvalyta ir bus galima toliau gręžti.

**PASTABA:** Kai įrankis veikia be apkrovos, besisu-kantis grąžtas gali išscentruoti. Darbo metu įrankis automatiškai pats susicentruoja. Tai neįtakoja grę-žimo tikslumo.

## Gręžimas į medį arba metalą

**▲ PERSPĖJIMAS:** Laikykite įrankį tvirtai ir atsargiai žiūrėkite, kada grąžto galvutė pradės gręžti ruošinį. Įrankį / grąžto galvutę veikia didelė sukamoji jėga, kai gręžiama skylė.

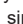
**▲ PERSPĖJIMAS:** Įstrigusią grąžto galvutę galima ištraukti tiesiog atbulinės eigos jungikli nustatant į atbulinės eigos padėtį. Tačiau įrankis gali grubiai judėti atgal, jei tvirtai nelaikysite įrankio.

**▲ PERSPĖJIMAS:** Visada pritvirtinkite apdirbamus gaminius spaustuvoje arba panašiai prilaikymo prietaise.

**PASTABA:** Jeigu ant įrenginio sumontuotas grąžto kumštelinis griebtuvas, nenaudokite „gręžimo ir kalimo“ režimo. Galite sugadinti grąžto kumštelinį griebtuvą.

Be to, apverčiant įrankį, grąžto griebtuvas nukris.

**PASTABA:** Per didelis įrankio spaudimas nepageidautinas gręžimo. Iš tikrųjų dėl tokio spaudimo gali būti pažeista grąžto galvutė, pablogėti įrankio darbas ir sutrumpėti jo eksploataavimo trukmė.

Nustatykite veikimo režimo keitimo rankenėlę ties  simboliu.

Pritvirtinkite griebtuvo suderintuvą prie berakčio grąžto kumštelinio griebtuvo, kuriame galima įsukti 1/2"–20 dydžio varžtą, tada juos sumontuokite įrankyje. Jį montuodami, žr. skyrių „Grąžto įdėjimas ir išėmimas“.

- **Pav.42:** 1. Grąžto griebtuvo komplektas  
2. Griebtuvo suderintuvas

## Išpūtimo kriaušė

### Pasirenkamasis priedas

Išgręžę skylę naudokite išpūtimo kriaušę dulkėms iš skylės išvalyti.

- **Pav.43**

## Dulkių rinktuvo komplekto naudojimas

### Pasirenkamasis priedas

Kai naudojate įrankį, pritvirtinkite dulkių rinktuvo komplektą prie lubų.

- **Pav.44**

**PASTABA:** Nenaudokite dulkių rinktuvo komplekto, gręždami metalą arba panašią medžiagą. Dėl mažų metalo dulkių ar kitų dalelių išskiriamą karščio dulkių rinktuvo komplektas gali būti sugadintas.

**PASTABA:** Nedėkite ir neišimkite dulkių rinktuvo komplekto, kai grąžtas yra įdėtas į įrankį. Dulkių rinktuvo komplektas gali būti sugadintas, ir dulės gali pasklisti.

## TECHNINĖ PRIEŽIŪRA

**▲ PERSPĖJIMAS:** Visuomet įsitikinkite, ar įrankis yra išjungtas ir akumuliatoriaus kasetė yra nuimta prieš atlikdami apžiūrą ir priežiūrą.

**PASTABA:** Niekada nenaudokite gazolino, benzino, tirpiklio, spirito arba panašių medžiagų. Gali atsirasti išblukimų, deformacijų arba įtrūkimų.

Kad gaminys būtų SAUGUS ir PATIKIMAS, jį taisyti, apžiūrėti ar vykdyti bet kokią kitą priežiūrą ar derinimą turi įgaliotasis kompanijos „Makita“ techninės priežiūros centras; reikia naudoti tik kompanijos „Makita“ pagamintas atsargines dalis.

## PASIRENKAMI PRIEDAI

**▲ PERSPĖJIMAS:** Šiuos papildomus priedus arba įtaisus rekomenduojama naudoti su šioje instrukcijoje nurodytu „Makita“ bendrovės įrankiu. Naudojant bet kokius kitus papildomus priedus arba įtaisus, gali kilti pavojus sužeisti žmones. Naudokite tik nurodytam tikslui skirtus papildomus priedus arba įtaisus.

Jeigu norite daugiau sužinoti apie tuos priedus, kreipkitės į artimiausią „Makita“ techninės priežiūros centrą.

- Karbidiinis grąžto antgalis („SDS-Plus“ grąžtai karbidiiniai galiukais)
- Griebtuvo suderintuvas
- Berakčio grąžto kumštelinis griebtuvas
- Grąžto antgalio tepalas
- Gylis ribotuvus
- Išpūtimo kriaušė
- Dulkių rinktuvas
- Dulkių rinktuvo komplektas
- Dulkių surinkimo sistema
- Įrankio pakaba
- Originalus „Makita“ akumuliatorius ir įkroviklis

**PASTABA:** Kai kurie sąrašė esantys priedai gali būti pateikti įrankio pakuotėje kaip standartiniai priedai. Jie įvairiose šalyse gali skirtis.

## TEHNILISED ANDMED

<b>Mudel:</b>		<b>DHR183</b>
Puurimisvõimsus	Betoon	18 mm
	Teras	13 mm
	Puit	24 mm
Koormuseta kiirus		0–1 100 min <sup>-1</sup>
Löökide arv minutis		0–5 000 min <sup>-1</sup>
Üldpikkus (koos BL1860B)		288 mm
Nimipinge		Alalisvool 18 V
Netokaal		2,1–2,9 kg

### Lisatarvik

<b>Mudel:</b>		<b>DX16</b>
Imemisvõimsus		0,24 l/min
Tööulatus		Kuni 105 mm
Sobiv puur		Kuni 165 mm
Netokaal		0,77 kg

- Meie pideva uuringu- ja arendusprogrammi tõttu võidakse tehnilisi andmeid muuta ilma sellest ette teatamata.
- Tehnilised andmed võivad riigiti erineda.
- Kaal võib erineda olenevalt lisaseadistest, kaasa arvatud akukassetist. Kergetim ja raskeim kombinatsioon EPTA-protseeduuri 01/2014 kohaselt on toodud tabelis.

### Sobiv akukassett ja laadija

Akukassett	BL1815N / BL1820B / BL1830B / BL1840B / BL1850B / BL1860B
Laadija	DC18RC / DC18RD / DC18RE / DC18SD / DC18SE / DC18SF / DC18SH / DC18WC

- Mõned eespool loetletud akukassetid ja -laadijad ei pruugi olla teie riigis saadaval.

**⚠ HOIATUS:** Kasutage ainult ülalpool loetletud akukassette ja laadijaid. Muude akukassettide ja laadijate kasutamine võib tekitada vigastusi ja/või tulekahju.

### Soovitatud juhtmega ühendatav toiteallikas

Portatiivne akukomplekt	PDC01
-------------------------	-------

- Eespool loetletud juhtmega ühendatavad toiteallikad ei pruugi olla teie riigis saadaval.
- Enne juhtmega ühendatava toiteallika kasutamist lugege neil olevaid juhiseid ja ettevaatusabinõusid.

### Kavandatud kasutus

See tööriist on mõeldud telliste, betooni ja kivi löökpuurimiseks.

Lisaks sobib see puidu, metalli, keraamika ja plasti puurimiseks ilma löökmehanismi kasutamata.

### Müra

Tüüpiline A-korrigeeritud müratase, määratud standardi EN62841-2-6 kohaselt:

#### Mudel DHR183

Helirõhutase ( $L_{pA}$ ): 90 dB (A)  
 Helivõimsuse tase ( $L_{WA}$ ): 101 dB (A)  
 Määramatus (K): 3 dB (A)

#### Mudel DHR183 koos mudeliga DX16

Helirõhutase ( $L_{pA}$ ): 90 dB (A)  
 Helivõimsuse tase ( $L_{WA}$ ): 101 dB (A)  
 Määramatus (K): 3 dB (A)

**MÄRKUS:** Deklareeritud müra väärtust (väärtuseid) on mõõdetud kooskõlas standardse katsemeetodiga ning seda võib kasutada ühe seadme võrdlemiseks teisega.

**MÄRKUS:** Deklareeritud müra väärtust (väärtuseid) võib kasutada ka mürataseme esmaseks hindamiseks.

**⚠️ HOIATUS:** Kasutage kõrvakaitsmeid.

**⚠️ HOIATUS:** Müratase võib elektritööriista tegelikkuses kasutamise ajal erineda deklareeritud väärtus(t)est olenevalt tööriista kasutusviisidest ja eriti töödeldavast toorikust.

**⚠️ HOIATUS:** Rakendage operaatori kaitsmiseks kindlasti piisavaid ohutusabinõusid, mis põhinevad hinnangulisel müratasemel tegelikus töösituatsioonis (võttes arvesse tööperioodi kõiki osasid, näiteks korrad, kui seade lülitatakse välja ja seade töötab tühikäigul, lisaks tööajale).

## Vibratsioon

Järgmises tabelis on toodud vibratsiooni koguväärtus (kolmeteljelise vektori summa), mis on määratud kohaldatava standardi kohaselt.

Töörežiim	Vibratsiooni- heide	Määramatus (K)	Kohalduv standard/kat- setingimus
Betooni löökpuurimine (a <sub>h, HD</sub> )	7,5 m/s <sup>2</sup>	1,5 m/s <sup>2</sup>	EN62841-2-6
	7,5 m/s <sup>2</sup>	1,5 m/s <sup>2</sup>	Soovitatav kasutamine praktilis*
Betooni löökpuurimine mudeliga DX16 (a <sub>h, HD</sub> )	7,6 m/s <sup>2</sup>	1,7 m/s <sup>2</sup>	EN62841-2-6
	7,7 m/s <sup>2</sup>	1,5 m/s <sup>2</sup>	Soovitatav kasutamine praktilis*

\* Soovitatava praktilis kasutamise katsetingimused vastavad standardile EN 62841-2-6, välja arvatud järgmised punktid.

- Etteandjõudu rakendatakse lülitiga käepidemele (peakäepide) töötamise täpsuse ja efektiivsuse tagamiseks.
- Külgakäepidet/külgsanga (lisakäepide) hoitakse tööriista tasakaalu hoidmiseks.

**MÄRKUS:** Deklareeritud vibratsiooni koguväärtust (-väärtuseid) on mõõdetud kooskõlas standardse katseteetodiga ning seda võib kasutada ühe seadme võrdlemiseks teiselega.

**MÄRKUS:** Deklareeritud vibratsiooni koguväärtust (-väärtuseid) võib kasutada ka mürataseme esmaseks hindamiseks.

**⚠️ HOIATUS:** Vibratsioonitase võib elektritööriista tegelikkuses kasutamise ajal erineda deklareeritud väärtus(t)est olenevalt tööriista kasutusviisidest ja eriti töödeldavast toorikust.

**⚠️ HOIATUS:** Rakendage operaatori kaitsmiseks kindlasti piisavaid ohutusabinõusid, mis põhinevad hinnangulisel müratasemel tegelikus töösituatsioonis (võttes arvesse tööperioodi kõiki osasid, näiteks korrad, kui seade lülitatakse välja ja seade töötab tühikäigul, lisaks tööajale).

## Vastavusdeklaratsioon

*Ainult Euroopa riikide puhul*

Vastavusdeklaratsioonid on selle juhendi A-lisas.

# OHUTUSHOIATUSED

## Üldised elektritööriista ohutushoiatused

**⚠️ HOIATUS** Lugege läbi kõik selle elektritööriista kaasas olevad ohutushoiatused, juhised, illustatsioonid ja tehnilised andmed. Alljärgnevate juhiste eiramine võib põhjustada elektrilöögi, süttimise ja/või raske kehavigastuse.

## Hoidke edaspidisteks viideteks alles kõik hoiatused ja juhtnõrid.

Hoiatuses kasutatud termini „elektritööriist“ all peetakse silmas elektriga töötavaid (juhtmega) elektritööriistu või akuga töötavaid (juhtmeta) elektritööriistu.

## JUHTMETA PUURVASARA OHUTUSNÕUDED

Kõikide toimingute ohutusjuhised

1. **Kasutage kuulmiskaitsmeid.** Kokkupuude müraga võib kahjustada kuulmist.
2. **Kasutage lisakäepidet/peidemeid, kui need on tööriistadega kaasas.** Kontrolli puudumine võib põhjustada inimestele vigastusi.
3. **Kui lõiketarvik võib kokku puutuda peidetud juhtmetega, hoidke elektritööriista töö ajal isoleeritud haardepindadest.** Voolu all oleva juhtmega kokkupuutesse sattunud lõiketarvik võib pingestada elektritööriista metallosi ning põhjustada kasutajale elektrilöögi.

**Ohutusnõuded pikkade puuriotsakute kasutamisel koos puurvasaratega**

1. **Alustage puurimist alati madalamal kiirusel, nii et otsaku ots oleks kokkupuutes toorikuga.** Suuremal kiirusel võib vabalt töötav, toorikuga mitte kokku puutuv otsak kõverduda ja tekitada kehavigastusi.
2. **Avaldage otsakule survet ainult otsesuunas ja ärge kasutage liigset survet.** Otsakud võivad kõverduda ja põhjustada murdumist või kontrolli kaotust, mis omakorda võib põhjustada kehavigastusi.

**Lisaohutusnõuded**

1. **Kasutage kaitsekiivrit, kaitseprille ja/või näokaitset.** Tavalised prillid või päikesepriidid EI OLE kaitseprillid. Äärmiselt soovitatav on kasutada ka tolmumaski ja paksu polstriga kindaid.
2. **Enne tööriista kasutamist kontrollige, kas otsak on oma kohale fikseeritud.**
3. **Tööriista tavapärase kasutamisega kaasneb vibratsioon.** Kruvid võivad hõlpsalt lahti tulla, millega võib kaasneda tööriista purunemine või tööõnnetus. Enne tööriista kasutamist kontrollige hoolikalt kruvide pingutatust.
4. **Külma ilma korral või siis, kui tööriista ei ole pikemat aega kasutatud, laske tööriistal mõnda aega soojeneda, kaitades seda ilma koormuseta.** See tõstab määredeil temperatuuri. Ilma nõuetekohase soojenemise ja loõkrežiimi kasutamine komplitseeritud.

- Veenduge alati, et teie jalgealune oleks kindel. Kui töötate kõrguses, siis jälgige, et teist allpool ei viibiks inimesi.
- Hoidke tööriista kindlalt kahe käega.
- Hoidke käed liikuvatest osadest eemal.
- Ärge jätke tööriista käima. Käivitage tööriist ainult siis, kui hoiate seda käes.
- Tööriista kasutamisel ärge suunake seda läheduses viibijate poole. Otsak võib välja lennata ja põhjustada raskeid vigastusi.
- Ärge puudutage vahetult pärast tööriista kasutamist puuriotsakut, otsaku läheduses asuvaid osi ega töödeldavat detaili, sest need võivad olla väga kuumad ja nahka põletada.
- Mõned materjalid võivad sisaldada mürgiseid aineid. Võtke meetmed tolmude sissehingamise ja nahaga kokkupuute vältimiseks. Järgige materjali tarnija ohutusteavet.
- Enne tööriista teisele inimesele edasiandmist kandke hoolt selle eest, et tööriist oleks välja lülitatud ning akukassett ja otsak oleksid eemaldatud.
- Enne kasutamist veenduge, et tööpiirkonnas ei oleks maa sees selliseid objekte nagu elektritoru, veetoru või gaasitoru. Muidu võib puuriotsak/meisel nende vastu minna, mis võib kaasa tuua elektrilöögi, elektrilekke või gaasilekke.
- Ärge käitage tööriista tarbetult koormamata olekus.

## HOIDKE JUHEND ALLES.

**⚠️HOIATUS:** ÄRGE UNUSTAGE järgida toote ohutusnõudeid mugavuse või toote (korduskasutamise saavutatud) hea tundmise tõttu. **VALE KASUTUS** või kasutusjuhendi ohutuseeskirjade eiramine võib põhjustada tervisekahjustusi.

## Akukassetiga seotud olulised ohutusjuhised

- Enne akukasseti kasutamist lugege (1) akulaadidjal, (2) akul ja (3) seadmel olevad juhtnõid ja hoiatused läbi.
- Ärge võtke akukassetti lahti ega muutke seda. See võib põhjustada tulekahju, liigset kuumust või plahvatuse.
- Kui tööaeg järsult lüheneb, siis lõpetage kohe kasutamine. Edasise kasutamise tulemuseks võib olla ülekuumenemisoht, võimalikud põletused või isegi plahvatus.
- Kui elektrolüüti satub silma, siis loputage silma puhta veega ja pöörduge koheselt arsti poole. Selline õnnetus võib põhjustada pimedaksjäämist.
- Ärge tekitage akukassetis lühis:
  - Ärge puutuge klemme elektrijuhtidega.
  - Ärge hoidke akukassetti tööriistakastis koos metallesemetega, nagu naelad, mündid jne.
  - Ärge tehke akukassetti märjaks ega jätke seda vihma kätte.

Aku lühis võib põhjustada tugevat elektrivoolu, ülekuumenemist, põletusi ning ka seadet tõsiselt kahjustada.

- Ärge hoidke ega kasutage tööriista ja akukassetti kohtades, kus temperatuur võib tõusta üle 50 °C (122 °F).
- Ärge põletage akukassetti isegi siis, kui see on saanud tõsiselt vigastada või on täiesti kuluunud. Akukassett võib tules plahvatada.
- Ärge naelutage, lõigake, muljuge, visake akukassetti ega laske sel kukkuda, samuti ärge lööge selle pihta kõva esemega. Selline tegevus võib põhjustada tulekahju, liigset kuumust või plahvatuse.
- Ärge kasutage kahjustatud akut.
- Sisalduvatele liitium-ioonakudele võivad kohalduda ohtlike kaupade õigusaktide nõuded. Kaubanduslikul transportimisel, näiteks kolmandate poolte või transpordiettevõtete poolt, tuleb järgida pakendil ja siltidel toodud erinõudeid. Transportimiseks ettevalmistamisel on vajalik pidada nõu ohtliku materjali eksperdiga. Samuti tuleb järgida võimalike riiklike regulatsioonide üksikasjalikumaid nõudeid. Katke teibiga või varjake avatud kontaktid ja pakendage aku selliselt, et see ei saaks pakendis liukuda.
- Kasutuskõlmatuks muutunud akukassetti kõrvaldamiseks eemaldage see tööriistast ja viige selleks ette nähtud kohta. Järgige kasutuskõlmatuks muutunud aku kõrvaldamisel kohalikke eeskirju.
- Kasutage akusid ainult Makita heaks kiidetud toodetega. Akude paigaldamine selleks mitte ettenähtud toodetele võib põhjustada süttimist, ülemäärast kuumust, plahvatamist või elektrolüüdi lekkimist.
- Kui tööriista ei kasutata pika ajaperioodi jooksul, tuleb aku tööriistast eemaldada.
- Kasutamise ajal ja pärast kasutamist võib akukassett kuumeneda, mis võib põhjustada põletusi või madala temperatuuri põletusi. Olge kuuma akukasseti kandmisel ettevaatlik.
- Ärge puudutage tööriista klemmi kohe pärast kasutamist, sest see võib olla kuum ja põhjustada põletusi.
- Hoidke akukassetti klemmid, avad ja sooned tükikestest, tolmust ja mullast puhtad. See võib põhjustada tööriista või aku ülekuumenemist, süttimist, purunemist ja talitlushäireid, mis võib lõppeda põletuste või kehavigastustega.
- Kui tööriist ei kannata kasutamist kõrgepingeliinide lähedal, ärge kasutage akukassetti kõrgepingeliinide lähedal. Muidu võib tööriist või akukassett puruneda või sellel tõrge tekkida.
- Hoidke akut lastele kättesaamatult.

## HOIDKE JUHEND ALLES.

**⚠️ETTEVAATUST:** Kasutage ainult Makita originaalakusid. Mitte Makita originaalakude või muudetud akude kasutamine võib põhjustada akude süttimise, kehavigastuse ja kahjustuse. Samuti muudab see kehtetuks Makita tööriista ja laadija Makita garantii.



## Vihjeid aku maksimaalse kasutaja tagamise kohta

1. Laadige akukassetti enne selle täielikku tühjenemist. Kui märkate, et tööriist töötab väiksema võimsusega, peatage töö ja laadige akukassetti.
2. Ärge laadige täielikult laetud akukassetti. Ülelaadimine lühendab akude kasutusiga.
3. Laadige akukassetti toatemperatuuril 10 °C - 40 °C. Enne laadimist laske kuumenenud akukassetil maha jahtuda.
4. Kui te ei kasuta parajasti akukassetti, eemaldage see tööriistast või laadurist.
5. Kui te ei kasuta akukassetti kauem kui kuus kuud, laadige see.

## FUNKTSIONAALNE KIRJELDUS

**⚠ETTEVAATUST:** Kandke alati hoolt selle eest, et tööriist oleks enne reguleerimist ja kontrollimist välja lülitatud ja akukassett eemaldatud.

### Akukasseti paigaldamine või eemaldamine

**⚠ETTEVAATUST:** Lülitage tööriist alati enne akukasseti paigaldamist või eemaldamist välja.

**⚠ETTEVAATUST:** Akukasseti paigaldamisel või eemaldamisel tuleb tööriista ja akukassetti kindlalt paigal hoida. Kui tööriista ja akukassetti ei hoita kindlalt paigal, võivad need käest libiseda ning kahjustada tööriista ja akukassetti või põhjustada kehavigastusi.

Akukasseti paigaldamiseks joondage akukasseti keel korpuse soonega ja libistage kassett oma kohale. Sisestage see tervenisti, kuni see lukustub klõpsuga oma kohale. Kui näete joonisel näidatud punast näidikut, pole see täielikult lukustunud.

Akukasseti eemaldamiseks libistage see tööriista küljest lahti, vajutades kasseti esiküljel paiknevat nuppu alla.

► **Joon.1:** 1. Punane näidik 2. Nupp 3. Akukassett

**⚠ETTEVAATUST:** Paigaldage akukassett alati täies ulatuses nii, et punast osa ei jääks näha. Muidu võib adapter juhuslikult tööriistast välja kukkuda ning põhjustada teile või läheduses viibivatele isikutele vigastusi.

**⚠ETTEVAATUST:** Ärge rakendage akukasseti paigaldamisel jõudu. Kui kassett ei lähe kergesti sisse, pole see õigesti paigaldatud.

## Aku jääkmahutavuse näit

### Ainult näidikuga akukassettidele

Akukasseti järelejäänud mahutavuse kontrollimiseks vajutage kontrollimise nuppu. Märgulambid süttivad mõneks sekundiks.

► **Joon.2:** 1. Märgulambid 2. Kontrollimise nupp

Märgulambid			Jääkmahutavus
Pöleb	Ei põle	Viilub	
■ ■ ■ ■	□ □ □ □	□ □ □ □	75 - 100%
■ ■ ■ □	□ □ □ □	□ □ □ □	50 - 75%
■ ■ □ □	□ □ □ □	□ □ □ □	25 - 50%
■ □ □ □	□ □ □ □	□ □ □ □	0 - 25%
▤ □ □ □	□ □ □ □	□ □ □ □	Laadige akut.
■ ■ □ □	□ □ □ □	□ □ □ □	Akul võib olla tõrge.
□ □ □ ■	□ □ □ □	■ ■ ■ ■	

**MÄRKUS:** Näidatud mahutavus võib veidi erineda tegelikust mahutavusest olenevalt kasutustingimustest ja ümbritseva keskkonna temperatuurist.

**MÄRKUS:** Esimene (taga vasakul asuv) märgutuli vilgub, kui akukaitsesüsteem töötab.

## Tööriista/aku kaitsesüsteem

Tööriist on varustatud tööriista või aku kaitsesüsteemiga. Süsteem lülitab mootori automaatselt välja, et pikendada tööriista ja aku tööiga. Tööriist seiskub käitamise ajal automaatselt, kui tööriista või aku kohta kehtib üks järgmistest tingimustest.

## Ülekoormuskaitse

Kui akut kasutatakse viisil, mis nõuab akust tavatult palju voolu, seiskub tööriist ilma mingi näiduta. Sellises olukorras lülitage tööriist välja ja lõpetage tegevus, mis põhjustas tööriista ülekoormuse. Seejärel lülitage tööriist taaskäivitamiseks uuesti sisse.

## Ülekuumenemiskaitse

Tööriista või aku ülekuumenemisel seiskub tööriist automaatselt. Laske sellisel juhul tööriistal ja akul enne tööriista uuesti sisselülitamist jahtuda.

**MÄRKUS:** Kui tööriist üle kuumeneb, siis tuli vilgub.

## Ülelaadimiskaitse

Kui aku laetuse tase ei ole piisav, seiskub tööriist automaatselt. Sellisel juhul eemaldage aku seadmest ja laadige täis.

## Kaitse muude põhjuste korral

Kaitsesüsteem on mõeldud ka muude põhjuste jaoks, mis võivad tööriista kahjustada, ja võimaldab tööriistal automaatselt seiskuda. Kui tööriist on ajutiselt peatatud või seiskunud, toimige põhjuste kõrvaldamiseks järgnevalt.

1. Lülitage tööriist välja ja seejärel taaskäivitamiseks uuesti sisse.
2. Laadige akut (akusid) või asendage aku (akud).
3. Laske tööriistal ja akul (akudel) jahtuda.

Kui kaitsesüsteemi taastamisega ei õnnestu olukorda parandada, võtke ühendust kohaliku Makita hoolduskeskusega.

## Lüliti funktsioneerimine

**⚠ HOIATUS:** Kontrollige alati enne akukasseti tööriista külge paigaldamist, kas lüliti päästik funktsioneerib nõuetekohaselt ja liigub lahtilaskmisel tagasi väljalülitatud asendisse.

Tööriista tööle panemiseks on vaja lihtsalt lüliti päästikut vajutada. Tööriista kiirus kasvab siis, kui suurendate survet lüliti päästikule. Vabastage lüliti päästik tööriista seiskamiseks.

▶ **Joon.3:** 1. Lüliti päästik

## Eesmise lambi süütamine

**⚠ ETTEVAATUST:** Ärge vaadake otse valgusesse ega valgusalalikat.

Lambi süütamiseks tõmmake lüliti päästikut. Lamp põleb sel ajal, kui tõmmatakse lüliti päästikut. Lamp kustub umbes 10 sekundit pärast lüliti päästiku vabastamist.

▶ **Joon.4:** 1. Lamp

**MÄRKUS:** Pühkige lamp kuiva lapiga puhtaks. Olge seda tehes ettevaatlik, et lambi läätse mitte kriimustada, sest muidu võib valgustus väheneda.

**MÄRKUS:** Kui tööriist kuumeneb üle, hakkab lamp vilkuma. Sellisel juhul vabastage lüliti päästik ja seejärel laske tööriistal/akul enne uuesti kasutamist maha jahtuda.

**MÄRKUS:** Eesmist lampi ei saa kasutada, kui tööriista on paigaldatud tolmu kogumissüsteem (lisavarustus).

## Suunamuutmise lüliti töötamisviis

**⚠ ETTEVAATUST:** Enne töö alustamist kontrollige alati pöörlemise suunda.

**⚠ ETTEVAATUST:** Kasutage suunamuutmislülitit alles pärast tööriista täielikku seiskumist. Enne tööriista seiskumist suuna muutmise võib tööriista kahjustada.

**⚠ ETTEVAATUST:** Kui tööriista ei kasutada, peab suunamuutmislülitit hoob olema alati neutraalses asendis.

Sellel tööriistal on suunamuutmise lüliti, millega saab muuta pöörlemise suunda. Suruge suunamuutmislülitit hoob A-küljel alla – tööriist pöörleb päripäeva, vastupäeva pöörlemiseks suruge see alla B-küljel. Kui suunamuutmislülitit hoob on neutraalses asendis, siis lüliti päästikut tõmmata ei saa.


▶ **Joon.5:** 1. Suunamuutmise lüliti hoob

## Töörežiimi valimine

**TÄHELEPANU:** Ärge pöörake töörežiimi muutmise nuppu siis, kui tööriist töötab. Selle juhise eiramisel kaasneks tööriista kahjustumine.


**TÄHELEPANU:** Selleks, et vältida režiimi muutmise mehhanismi kiiret kulumist, veenduge, et töörežiimi muutmise nupp paikneks alati korralikult ühes töörežiimi positsioonidest.

## Pöörlemine koos haamrifunktsiooniga

Betooni, müüritise või muu materjali puurimiseks keerake töörežiimi muutmise nupp sümbooliga  tähistatud asendisse. Kasutage karbiidotsaga puuri.

▶ **Joon.6:** 1. Töörežiimi muutmise nupp

## Ainult pöörlemisfunktsioon

Puidu, metalli või plastmaterjalide puurimiseks keerake töörežiimi muutmise nupp sümbooliga  tähistatud asendisse. Kasutage keerdpuuri või puidupuuri otsakut.

▶ **Joon.7:** 1. Töörežiimi muutmise nupp

## Elektroniline funktsioon

Tööriist on varustatud lihtsama kasutamise jaoks elektroniliste funktsioonidega.

- Elektripidur  
Tööriistal on elektriline pidur. Kui tööriist ei peatu järjepidevalt kohe pärast lüliti päästiku vabastamist, viige see hoolduseks Makita teeninduskeskusesse.
- Püsikiiruse juhtimine  
Kiiruse juhtimise funktsioon tagab koormusest olenemata püsiva pöörlemiskiiruse.

## KOKKUPANEK

**⚠ ETTEVAATUST:** Kandke alati hoolt selle eest, et tööriist oleks enne igasuguseid hooldustöid välja lülitatud ja akukasett eemaldatud.

## Külglkäepide (abipide)

**⚠ ETTEVAATUST:** Tööohutuse tagamiseks kasutage alati külglkäepidet.

**⚠ ETTEVAATUST:** Pärast külglkäepidemete paigaldamist või reguleerimist veenduge, et külglkäepide oleks kindlalt fikseeritud, nii et tööriista väljalautuvad osad oleksid täielikult kinnitatud külglkäepidemel olevatesse soontesse.

Külglkäepideme eemaldamiseks tegutsege järgmiselt.

1. Lõdvendage käsikruvi külglkäepidemel.

▶ **Joon.8:** 1. Käsikruvi

2. Paigaldage külglkäepide nii, et käepidemel olevad sooned läheksid käsikruvi pingutamisel kokku tööriistal olevate väljalautuvate osadega.

▶ **Joon.9:** 1. Käsikruvi

3. Pingutage käepideme fikseerimiseks käsikruvi. Käepideme saab fikseerida soovitud nurga all.

## Puuri paigaldamine või eemaldamine

### Määrimine

Puhastage otsaku varrepoolne osa ja kandke enne otsaku paigaldamist sellele määrdeõli. Enne kasutamist katke otsaku varrepoolne osa väikese koguse määrdega (umbes 0,5 g–1 g). Padruni määrimine kindlustab sujuva töö ja pikema kasutusea.

► **Joon.10:** 1. Varrepoolne ots 2. Määrimine

Sisestage puur tööriista. Keerake puuri ja suruge seda sisse, kuni see fikseerub.

Pärast puuri paigaldamist püüdke seda alati välja tõmmata, et kontrollida, kas puur on korralikult oma kohale fikseeritud.

► **Joon.11:** 1. Puur

Puuriotsaku eemaldamiseks lükake padruni kate lõpuni alla ja tõmmake puuriotsak välja.

► **Joon.12:** 1. Puur 2. Padruni kate

## Sügavuse piiraja

Sügavuse piiraja on mugav abivahend ühesuguse sügavusega aukude puurimiseks.

Vajutage ja hoidke lukustusnuppu ning sisestage seejärel avasse sügavuse piiraja. Veenduge, et sügavuse piiraja hammastega külg jääks märgistuse poole.

► **Joon.13:** 1. Sügavuse piiraja 2. Lukustusnupp 3. Märgistus 4. Hammastega külg

Reguleerige sügavuse piirajat, nihutades seda tagasi ja edasi ning vajutades samal ajal lukustusnuppu. Pärast reguleerimist vabastage lukustusnupp, et fikseerida sügavuse piiraja.

**MÄRKUS:** Veenduge, et sügavuse piiraja ei puudutaks tööriista kinnitamise ajal selle põhiosa.

## Tolmutops

### Lisatarvik

Ülespoole suunatud puurimisel kasutage tolmutopsi, et vältida tolmu langemist tööriistale ja kasutajale. Kinnitage tolmutops joonisel näidatud viisil otsaku külge. Tolmutopsi saab kinnitada järgmise suurusega otsakutele.

Mudel	Puuri läbimõõt
Tolmutops 5	6 mm - 14,5 mm
Tolmutops 9	12 mm - 16 mm

► **Joon.14:** 1. Tolmutops

## Tolmutopsi komplekt

### Lisatarvik

## Tolmutopsi komplekti paigaldamine

**TÄHELEPANU:** Ärge kasutage tolmutopsi komplekti metalli jms materjali puurimisel. See võib peene metalltolmu või muu samase poolt tekkinud kuumuse mõjul tolmutopsi komplekti kahjustada. Ärge paigaldage ega eemaldage tolmutopsi komplekti sel ajal, kui puur on tööriista küljes. See võib kahjustada tolmutopsi komplekti ja põhjustada tolmu lekkimist.

Enne tolmutopsi komplekti paigaldamist eemaldage tööriista küljest puur, kui see on paigaldatud.

1. Lõdvendage käsikruvi küljkäepidemel.
2. Paigaldage tolmutopsi komplekt selliselt, et tolmutopsi haaratsid sobituksid küljkäepideme piludesse.  
► **Joon.15:** 1. Tolmutopsi komplekt 2. Küljkäepide
3. Paigaldage küljkäepide selliselt, et käepidemel olev soon läheks kokku tööriistal oleva väljaulatava osaga. Küljkäepideme kinnitamiseks pingutage käsikruvi.  
► **Joon.16:** 1. Küljkäepide 2. Soon 3. Väljaulatuv osa

**MÄRKUS:** Kui ühendate tolmuimeja tolmutopsi komplektiga, eemaldage enne selle ühendamist tolmutork.

► **Joon.17:** 1. Tolmutork

## Puuri eemaldamine

Puuri eemaldamiseks tõmmake padruni kate lõpuni alla ja tõmmake puur välja.

► **Joon.18:** 1. Puur 2. Padruni kate

## Tolmutopsi komplekti eemaldamine

Tolmutopsi komplekti eemaldamiseks järgige allpool toodud samme.

1. Lõdvendage küljkäepidemel olevat käsikruvi. Eemaldage küljkäepide tööriista küljest.  
► **Joon.19:** 1. Käsikruvi
2. Hoidke tolmutopsi põhjast ja tõmmake see välja.

**MÄRKUS:** Kui tolmutopsi komplekti on raske eemaldada, eemaldage tolmutopsi haaratsid ükshaaval, logistades ja tõmmates tolmutopsi põhjast.

► **Joon.20:** 1. Tolmutops

**MÄRKUS:** Kui kork tuleb tolmutopsi komplektist lahti, asetage see tagasi algasendisse.

Topsi paigaldamiseks tagasi algasendisse järgige allolevaid samme.

1. Keerake lõõtsa vastupäeva ja eemaldage see tolmutopsi komplekti tarvikust samal ajal, kui lõõts on lukust lahti.  
► **Joon.21:** 1. Lõõtsad 2. Kinnitusdetail
2. Pange kork tagasi märgistatud küljega üleval.  
► **Joon.22:** 1. Kork 2. Kinnitusdetail
3. Veenduge, et korki ümbritsevad sooned sobivad hästi kinnitusdetaili ülemise ava huultega.

## Tööriista riputi

### Lisatarvik

**⚠ETTEVAATUST:** Ärge kasutage kahjustatud tööriista riputi ega kruvi. Enne kasutamist kontrollige alati kahjustusi, pragusid või deformatsioone ja veenduge, et kruvi oleks pingutatud.

**⚠ETTEVAATUST:** Paigaldage või eemaldage tööriista riputi stabiilsel laual või pinnal. Veenduge, et kasutaksite ainult tööriista riputiga kaasasolevat kruvi. Pärast tööriista riputi paigaldamist veenduge, et tööriista riputi oleks kruvi abil kindlalt paigaldatud.

**⚠ETTEVAATUST:** Ärge eemaldage tööriista riputamisel akukasetti. Tööriist võib maha kukkuda, kui kruvi ei pingutata.

Tööriista riputi on mõeldud kinnitusrihma (kinnitusosaga) ühendamiseks.

Enne tööriista riputi paigaldamist eemaldage kinnitusklambril kruviavast kummist kork. Asetage nelikantmutter klambri alla. Kinnitage tööriista riputi kruviga kohale.

► **Joon.23:** 1. Kummist kork 2. Kinnitusklamber 3. Nelikantmutter 4. Tööriista riputi 5. Kruvi

## Ohutushoiatused kinnitusrihma (kinnitusosaga) ühendamise kohta tööriista riputi külge

**⚠Spetsiaalsed ohutusjuhised kõrguses kasutamiseks**  
**Lugege kõik ohutushoiatused ja juhtnõidid läbi.**  
Hoiatuste ja juhtnõuete eiramine võib lõppeda tõsise kehavigastusega.

1. Kõrgustes töötamise ajal hoidke tööriista kinnitusrihma abil kinni. Kinnitusrihma maksimaalne pikkus on 2 m. Kinnitusrihma (kinnitusosaga) maksimaalne lubatud kukkumiskõrgus ei tohi ületada 2 m.
2. Kasutage ainult tööriista tüübi jaoks sobivat kinnitusrihma, mis on mõeldud vähemalt 6,0 kg jaoks.
3. Ärge kinnitage tööriista kinnitusrihma oma keha ega liikuvate osade külge. Kinnitage tööriista kinnitusrihm jäiga konstruktsiooni külge, mis suudab vastu pidada kukkuvat tööriista jõududele.
4. Enne kasutamist veenduge, et kinnitusrihm oleks mõlemast otsast kindlalt kinnitatud.
5. Enne iga kasutamist kontrollige tööriista ja kinnitusrihma, et poleks kahjustusi ja kõik toimiks nõuetekohaselt (sh riie ja õmblused). Ärge kasutage, kui need on kahjustatud või ei tööta korralikult.
6. Ärge siduge kinnitusrihma ümber teravate või töötlemata servadega esemete ega laske neil kokku puutuda.
7. Kinnitage kinnitusrihma teine ots väljaspool tööpiirkonda nii, et kukkuv tööriist jääks rihma külge rippuma.
8. Kinnitage kinnitusrihm nii, et kukkuv tööriist liiguks kasutajast eemale. Mahakukkunud tööriistad jäävad kinnitusrihma külge õõtsuma ja see võib põhjustada vigastusi või tasakaalu kadu.

9. Ärge kasutage liikuvate osade ega töötavate masinate lähedal. Muidu võib tekkida kokkupõrke- või takerdumisoht.
  10. Ärge hoidke tööriista kandes kinni lisaseadistest ega kinnitusrihmast.
  11. Kandke tööriista oma käte vahel ainult siis, kui olete korralikult tasakaalustatud.
  12. Ärge ühendage tööriista kinnitusrihmaga viisil, kus lülidit või päästikulukk (kui olemas) ei saa korralikult toimida.
  13. Vältige kinnitusrihma sisse takerdumist.
  14. Hoidke kinnitusrihm tööriista puurimispiirkonnast eemal.
  15. Kasutage kinnituskarabiini (mitmeotstarbelist ja keermega). Ärge kasutage ühetoimelisi vabakäiguga karabiine.
  16. Kui tööriist kukub maha, tuleb see märgistada ja kasutusest kõrvaldama ning seda peaks laskma kontrollida kas Makita tehases või volitatud hoolduskeskuses.
  17. Ärge riputage tööriista oma vöole. Kuumenenud tööriist ja selle tarvik võivad vastu nahka puutuda ja põletusvigastusi tekitada.
- **Joon.24:** 1. Tööriista riputi 2. Kinnitusrihm (kinnitusosaga)

## TOLMUKOGUMISSÜSTEEM

### Lisatarvik

Tolmukogumissüsteem on loodud tolmu tõhusaks kogumiseks betooni puurimise ajal.

► **Joon.25:** 1. Tolmukogumissüsteem

**⚠ETTEVAATUST:** Tolmukogumissüsteem on mõeldud ainult betooni puurimiseks. Ärge kasutage tolmukogumissüsteemi metalli või puitu puurides.

**⚠ETTEVAATUST:** Tööriista kasutamisel koos tolmukogumissüsteemiga kinnitage tolmu kogumissüsteemi külge kindlasti filter, et vältida tolmu sissehingamist.

**⚠ETTEVAATUST:** Enne tolmu kogumissüsteemi kasutamist kontrollige, ega filter pole kahjustunud, ning ega sisetorus pole tolmu ja võorkehi. Vastasel juhul võite tolmu sisse hingata.

**⚠ETTEVAATUST:** Tolmukogumissüsteem kogub tekkivat tolmu kiiresti, kuid ei suuda siiski kõrvaldada kogu tolmu.

**TÄHELEPANU:** Ärge kasutage tolmu kogumissüsteemi südamikupuurimiseks ega meiseldamiseks.

**TÄHELEPANU:** Ärge kasutage tolmu kogumissüsteemi metalli ega puidu jaoks. Tolmukogumissüsteem on mõeldud ainult betooni jaoks.

**TÄHELEPANU:** Ärge kasutage tolmu kogumissüsteemi märja betooni puurimisel ega järjas keskkonnas. Vastasel juhul võib süsteem saada kahjustada.

## Paigaldamine või eemaldamine

**TÄHELEPANU:** Enne tolmukogumissüsteemi paigaldamist puhastage tööriista liitmikud ja tolmukogumissüsteem. Liitmikele kogunenud võõrkehad võivad raskendada tolmukogumissüsteemi paigaldamist. Kui õhukanalile jääb tolmu, satub tolm tööriista ja põhjustab õhuvoolu ummistust või tööriista purunemist.

Tolmukogumissüsteemi paigaldamiseks sisestage tööriist tervenisti tolmukogumissüsteemi, kuni see kerge klõpsatusega paika kinnitub.

► **Joon.26**

Tolmukogumissüsteemi eemaldamiseks vajutage lukust avamise nupp alla ja tõmmake samal ajal tööriista üles.

► **Joon.27:** 1. Lukust avamise nupp

## Tolmukogumissüsteemi otsaku asendi reguleerimine

**ETTEVAATUST:** Otsaku vabastamisel juhiku reguleerimisnupu vajutamise teel ärge suunake otsakut enda või teiste poole.

Lükake otsaku juhik sisse ja välja, vajutades samal ajal juhiku reguleerimisnupu, ja seejärel vabastage nupp täpselt selles kohas, kus puuri otsa tipp asub otsaku esipinna taga.

► **Joon.28:** 1. Juhik 2. Juhiku reguleerimisnupp 3. Puuri otsa tipp 4. Otsaku esipind

## Puurimissügavuse reguleerimine

Puurimissügavust saab reguleerida, muutes sügavuse reguleerimisnupu ja otsaku juhiku tugikonsooli vahelist kaugust. Vajutage ja hoidke all sügavuse reguleerimisnupu ja lükake see soovitud asendisse.

► **Joon.29:** 1. Sügavuse reguleerimisnupp 2. Otsaku juhik 3. Otsaku juhiku tugikonsool 4. Puurimissügavus

## Filtrilt tolmu kloppimine

**ETTEVAATUST:** Ärge keerake tolmkarbil olevat nuppu sel ajal, kui tolmukarpi eemaldatakse tolmukogumissüsteemi küljest. Kui te seda teete, võite tolmu sisse hingata.

**ETTEVAATUST:** Lülitage seade alati välja, enne kui tolmkarbil olevat nuppu keerate. Töötaval seadmel nupu keeramine võib kaasa tuua seadme üle kontrolli kaotamise.

Filtrilt tolmukarpi tolmu kloppides saate imeda tolmu tõhusalt ja vähendada tolmu äraviskamise kordi. Põõrake tolmkarbil olevat regulaatorit kolm korda iga kord, kui olete kogunud 50 000 mm<sup>3</sup> tolmu või kui tunnete, et tolmuimeja võimsus väheneb.

**MÄRKUS:** 50 000 mm<sup>3</sup> tolmu tekib 10 augu puurimisel, mille läbimõõt on 10 mm ja sügavus 65 mm.

► **Joon.30:** 1. Tolmukarp 2. Valikuket

## Tolmu eemaldamine

**ETTEVAATUST:** Kandke alati hoolt selle eest, et tööriist oleks enne igasuguseid hooldustöid välja lülitatud ja akukassett eemaldatud.

**ETTEVAATUST:** Tolmu eemaldamise ajal kandke kindlasti tolmumaski.

**ETTEVAATUST:** Tööriist peab olema tolmu eemaldamisel täielikult seiskunud.

**ETTEVAATUST:** Tühjendage tolmukarpi regulaarselt, enne kui tolmukarp saab täis. Kui te seda ei tee, võib süsteemi tolmukogumismõime halveneda, mis omakorda toob kaasa tolmu sissehingamise.

**ETTEVAATUST:** Tolmukogumismõime väheneb, kui tolmukarbis olev filter ummistub. Filtrit tuleb vahetada ligikaudu iga 200 tolmuga täitumise järel. Kui te seda ei tee, võite tolmu sisse hingata.

1. Eemaldage tolmukarp, vajutades samal ajal alla tolmukarbi hooba.

► **Joon.31:** 1. Hoob

2. Avage tolmukarbi kate.

► **Joon.32:** 1. Kate

3. Kõrvaldage tolm ja puhastage filter.

► **Joon.33**

**TÄHELEPANU:** Filtri puhastamisel koputage tolmu eemaldamiseks õrnalt käega filtrikarbile. Ärge koputage otse filtrile, ärge puudutage seda harja või muu sarnasega ega puhuge sellesse suruõhku. See võib filtrit kahjustada.

## Tolmukarbi filtri vahetamine

1. Eemaldage tolmukarp, vajutades samal ajal alla tolmukarbi hooba.

► **Joon.34:** 1. Hoob

2. Avage tolmukarbi filtrikate.

► **Joon.35:** 1. Filtrikate

3. Eemaldage filter filtrikarbit.

► **Joon.36:** 1. Filter 2. Filtrikarp

4. Kinnitage uus filter filtrikate külge, seejärel kinnitage filtrikate.

5. Sulgege tolmukarbi kate ja kinnitage tolmukarp tolmukogumissüsteemi külge.

## Tihenduskorgi vahetamine

1. Sisestage lamepeakruvikeeraja mõnda otsaku pea külgedel olevasse avasse. kallutage lamepeakruvikeeraja sellise nurga alla, et saate kuubikonksu pigistada ja selle tihenduskorgist välja lükata. Seejärel keerake tihenduskorgi kummist serv otsaku pea ava servast eemale.

► **Joon.37:** 1. Tihenduskork 2. Kuubikonks 3. Soon 4. Otsaku pea

2. Asetage üks uuendatud tihenduskorgi kuubikonks otsaku pea soone alumisse ossa nii, et tihenduskorgi süvendatud pind oleks eespool.

► **Joon.38:** 1. Kuubikonksud 2. Soone alumine osa 3. Tihenduskork 4. Süvendatud pind

3. Asetage teine konks vastasküljele ning tihendus-kork otsaku peaga täpselt sobivaks.

► **Joon.39:** 1. Tihendus-kork 2. Kuubikonks 3. Soone alumine osa 4. Otsaku pea 5. Servad

4. Asetage tihendus-korgi kummist serv ettevaatlikult alt ülespoole avaneva otsaku pea serva kohale.

► **Joon.40:** 1. Kummist serv 2. Tihendus-kork 3. Otsaku pea

## TÖÖRIISTA KASUTAMINE

**▲ETTEVAATUST:** Kasutage alati külgkäepidet (abikäepide) ning hoidke tööriista töö ajal kindlalt nii külgkäepidemest kui ka lülitiga käepidemest.

**▲ETTEVAATUST:** Kontrollige alati enne kasutamist, kas töödeldav detail on nõuetekohaselt fikseeritud.

**▲ETTEVAATUST:** Ärge tõmmake tööriista välja jõuga, isegi kui otsak on kinni kiilunud. Kontrolli kadumine võib põhjustada vigastuse.


**TÄHELEPANU:** Enne tolmutopsi kasutamist tööriistaga lugege tolmutopsi kasutamise käsitlevat jaotist.

**MÄRKUS:** Kui akukassett on madalal temperatuuril, ei pruugi tööriist saavutada täielikku töövõimsust. Sel juhul soojendage akukassetti koormamata tööriista kasutades mõne aja vältel, et saavutada tööriista täielik töövoime.

► **Joon.41**

## Löökpuurimise režiim

**▲ETTEVAATUST:** Materjali läbistamisel rakendub tööriistale/puuriotsakule väga suur ja järsk väändejõud, kui auk ummistub laastude ja osakestega või kui tabatakse betooni sarrust. **Kasutage alati külgkäepidet (abikäepide) ning hoidke tööriista töö ajal kindlalt nii külgkäepidemest kui ka lülitiga käepidemest.** Muidu võib tagajärjeks olla kontrolli kaotamine tööriista üle ja raske kehavigastus.

Seadke töörežiimi muutmise nupp sümbolile . Asetage puuriotsak augu jaoks valitud kohale ning tõmmake seejärel lüliti päästikut.

Rakendage lülitiga käepidemele (peakäepide) etteandejõudu töötamise täpsuse ja efektiivsuse tagamiseks ning hoidke külgkäepidete (isakäepide) tööriista tasakaalu hoidmiseks. Hoidke tööriista õiges asendis ja vältige selle august väljalibisemist.

Ärge rakendage lisasurvet, kui laastud või osakesed ummistavad augu. Käitage selle asemel tööriista tühikäigul ja eemaldage seejärel puuriotsak osaliselt august. Selle toimingu kordamine aitab auku tühjendada, et saaksite jätkata tavapärase puurimisega.

**MÄRKUS:** Tööriista koormuseta kasutamisel võib puuriotsak pöörelda ekstsentriliselt. Tööriist tsentree-rib käitamisel automaatselt. See ei mõjuta puurimise täpsust.

## Puidu või metalli puurimine


**▲ETTEVAATUST:** Hoidke tööriista kindlalt ning olge tähelepanelik, kui puuriotsak hakkab puuritava materjalist läbi tungima. Materjali läbistamisel rakendub tööriistale/puuriotsakule väga suur jõud.

**▲ETTEVAATUST:** Kinnikiilunud puuriotsaku saab lihtsalt vabastada, kui muudate puuri pöörlemissuuna vastupidiseks. Kui tööriista ei hoita kindlalt, võib see ootamatult tagasi viskuda.

**▲ETTEVAATUST:** Kinnitage töödeldavad esemed alati kruustangide või mõne sarnase kinnitusvahendiga.

**TÄHELEPANU:** Ärge kunagi kasutage pöörlemisfunktsiooni koos haamrifunktsiooniga, kui tööriista on paigaldatud puuripadrin. Selle juhise eiramisel kaasneb puuripadrini kahjustamine. Samuti tuleks tööriista pöörlemisel puuripadrin tööriista küljest lahti.

**TÄHELEPANU:** Liiga suur surve seadmele ei kiirenda puurimist. Ligne surve hoopis kahjustab puuriotsaku tippu, vähendab seadme efektiivsust ja lühendab seadme tööiga.

Seadke töörežiimi muutmise nupp sümboliga  tähistatud asendisse.

Kinnitage padruniadapter võtmata puuripadrini külge, millele saab paigaldada kruvi suurusega 1/2"-20, seejärel paigaldage need tööriistale. Paigaldamise kohta vadake teavet jaotises „Puuri paigaldamine või eemaldamine”.

► **Joon.42:** 1. Puuripadrini moodul 2. Padruniadapter

## Läbipölenud pirn

### Lisatarvik

Kui auk on valmis puuritud, kasutage läbipölenud pirni, et auku tolmut puhastada.

► **Joon.43**

## Tolmutopsi komplekti kasutamine

### Lisatarvik

Seadke tolmutopsi komplekt tööriista kasutamise ajaks vastu lage.

► **Joon.44**

**TÄHELEPANU:** Ärge kasutage tolmutopsi komplekti metalli või muu sarnase materjali puurimisel. See võib peene metalltolmu või muu sarnase poolt tekitatud kuumuse mõjul tolmutopsi komplekti kahjustada.

**TÄHELEPANU:** Ärge paigaldage ega eemaldage tolmutopsi komplekti sel ajal, kui puur on tööriista küljes. See võib kahjustada tolmutopsi komplekti ja põhjustada tolmu lekkimist.

# HOOLDUS

**⚠ETTEVAATUST:** Enne kontroll- või hooldustoimingute tegemist kandke alati hoolt selle eest, et tööriist oleks välja lülitatud ja akukassett korpuse küljest eemaldatud.

**TÄHELEPANU:** Ärge kunagi kasutage bensiini, vedeldit, alkoholi ega midagi muud sarnast. Selle tulemuseks võib olla luitumine, deformatsioon või pragunemine.

Toote OHUTUSE ja TÖÖKINDLUSE tagamiseks tuleb vajalikud remonttööd ning muud hooldus- ja reguleerimistööd lasta teha Makita volitatud teeninduskeskustes või tehase teeninduskeskustes. Alati tuleb kasutada Makita varuosi.

# VALIKULISED TARVIKUD

**⚠ETTEVAATUST:** Neid tarvikuid ja lisaseadiseid on soovitatav kasutada koos Makita tööriistaga, mille kasutamist selles kasutusjuhendis kirjeldatakse. Muude tarvikute ja lisaseadiste kasutamisega kaasneb vigastada saamise oht. Kasutage tarvikuid ja lisaseadiseid ainult otstarbekohaselt.

Saate vajaduse korral kohalikust Makita teeninduskeskusest lisateavet nende tarvikute kohta.

- Karbiidist otsaga puuriotsak (SDS-Plusi karbiidotsakuga puurid)
- Padruniadapter
- Võtmeta puuripadrün
- Puurimääre
- Sügavuse piiraja
- Läbipõlenud pirn
- Tolmutops
- Tolmutopsi komplekt
- Tolmukogumissüsteem
- Tööriista riputi
- Makita algupärane aku ja laadija

**MÄRKUS:** Mõned nimekirjas loetletud tarvikud võivad kuuluda standardvarustusse ning need on lisatud tööriista pakendisse. Need võivad riigiti erineda.

## ТЕХНИЧЕСКИЕ ХАРАКТЕРИСТИКИ

<b>Модель:</b>		<b>DHR183</b>
Максимальный диаметр сверления	Бетон	18 мм
	Сталь	13 мм
	Дерево	24 мм
Число оборотов без нагрузки		0 – 1 100 мин <sup>-1</sup>
Ударов в минуту		0 – 5 000 мин <sup>-1</sup>
Общая длина (с BL1860B)		288 мм
Номинальное напряжение		18 В пост. тока
Масса нетто		2,1 – 2,9 кг

### Дополнительные принадлежности

<b>Модель:</b>	<b>DX16</b>
Производительность на всасывании	0,24 л/мин
Рабочий ход	До 105 мм
Подходящая головка сверла	До 165 мм
Масса нетто	0,77 кг

- Благодаря нашей постоянно действующей программе исследований и разработок указанные здесь технические характеристики могут быть изменены без предварительного уведомления.
- Технические характеристики могут различаться в зависимости от страны.
- Масса может отличаться в зависимости от дополнительного оборудования. Обратите внимание, что блок аккумулятора также считается дополнительным оборудованием. В таблице представлены комбинации с наибольшим и наименьшим весом в соответствии с процедурой EPTA 01/2014.

### Подходящий блок аккумулятора и зарядное устройство

Блок аккумулятора	BL1815N / BL1820B / BL1830B / BL1840B / BL1850B / BL1860B
Зарядное устройство	DC18RC / DC18RD / DC18RE / DC18SD / DC18SE / DC18SF / DC18SH / DC18WC

- В зависимости от региона проживания некоторые блоки аккумуляторов и зарядные устройства, перечисленные выше, могут быть недоступны.

**⚠ ОСТОРОЖНО:** Используйте только перечисленные выше блоки аккумуляторов и зарядные устройства. Использование других блоков аккумуляторов и зарядных устройств может привести к травме и/или пожару.

### Рекомендованный источник электропитания с проводным подключением

Портативный блок питания	PDC01
--------------------------	-------

- В некоторых регионах определенные модели перечисленных выше источников электропитания с проводным подключением могут быть недоступны.
- Перед началом использования источника электропитания с проводным подключением изучите инструкцию и предупреждающие надписи на нем.

### Назначение

Инструмент предназначен для ударного и обычного сверления кирпича, бетона и камня. Он также подходит для безударного сверления дерева, металла, керамики и пластмассы.

### Шум

Типичный уровень взвешенного звукового давления (A), измеренный в соответствии с EN62841-2-6:

#### Модель DHR183

Уровень звукового давления (L<sub>РА</sub>): 90 дБ (А)  
 Уровень звуковой мощности (L<sub>WA</sub>): 101 дБ (А)  
 Погрешность (K): 3 дБ (А)



## Модель DHR183 с DX16

Уровень звукового давления ( $L_{pA}$ ): 90 дБ(А)

Уровень звуковой мощности ( $L_{WA}$ ): 101 дБ(А)

Погрешность (К): 3 дБ(А)

**ПРИМЕЧАНИЕ:** Заявленное значение распространения шума измерено в соответствии со стандартной методикой испытаний и может быть использовано для сравнения инструментов.

**ПРИМЕЧАНИЕ:** Заявленное значение распространения шума можно также использовать для предварительных оценок воздействия.

**⚠ОСТОРОЖНО:** Используйте средства защиты слуха.

**⚠ОСТОРОЖНО:** Распространение шума во время фактического использования электроинструмента может отличаться от заявленного значения в зависимости от способа применения инструмента и в особенности от типа обрабатываемой детали.

**⚠ОСТОРОЖНО:** Обязательно определите меры безопасности для защиты оператора, основанные на оценке воздействия в реальных условиях использования (с учетом всех этапов рабочего цикла, таких как выключение инструмента, работа без нагрузки и включение).

## Вибрация

В таблице ниже приведено суммарное значение вибрации (сумма векторов по трем осям), определенное в соответствии с применимым стандартом.

Рабочий режим	Распространение вибрации	Погрешность (К)	Применимый стандарт / Режим испытаний
Ударное сверление бетона ( $a_{h, HD}$ )	7,5 м/с <sup>2</sup>	1,5 м/с <sup>2</sup>	EN62841-2-6
	7,5 м/с <sup>2</sup>	1,5 м/с <sup>2</sup>	Рекомендуемое практическое применение*
Ударное сверление бетона с помощью DX16 ( $a_{h, HD}$ )	7,6 м/с <sup>2</sup>	1,7 м/с <sup>2</sup>	EN62841-2-6
	7,7 м/с <sup>2</sup>	1,5 м/с <sup>2</sup>	Рекомендуемое практическое применение*

\* Режим испытаний рекомендуемого практического применения соответствует стандарту EN 62841-2-6 за исключением следующих пунктов:

- Для обеспечения точности и эффективности работы к рукоятке с выключателем (главной рукоятке) прилагается усилие подачи.
- Боковая ручка/рукоятка (вспомогательная рукоятка) удерживается для сохранения инструмента в равновесии.

**ПРИМЕЧАНИЕ:** Заявленное общее значение распространения вибрации измерено в соответствии со стандартной методикой испытаний и может быть использовано для сравнения инструментов.

**ПРИМЕЧАНИЕ:** Заявленное общее значение распространения вибрации можно также использовать для предварительных оценок воздействия.

**⚠ОСТОРОЖНО:** Распространение вибрации во время фактического использования электроинструмента может отличаться от заявленного значения в зависимости от способа применения инструмента и в особенности от типа обрабатываемой детали.

**⚠ОСТОРОЖНО:** Обязательно определите меры безопасности для защиты оператора, основанные на оценке воздействия в реальных условиях использования (с учетом всех этапов рабочего цикла, таких как выключение инструмента, работа без нагрузки и включение).

## Декларации о соответствии

*Только для европейских стран*

Декларации о соответствии включены в Приложение А к настоящему руководству по эксплуатации.

## МЕРЫ БЕЗОПАСНОСТИ

### Общие рекомендации по технике безопасности для электроинструментов

**⚠ОСТОРОЖНО** Ознакомьтесь со всеми инструкциями по технике безопасности, указаниями, иллюстрациями и техническими характеристиками, прилагаемыми к данному электроинструменту. Несоблюдение всех приведенных далее инструкций может привести к поражению электрическим током, возгоранию и/или тяжелым травмам.

### Сохраните брошюру с инструкциями и рекомендациями для дальнейшего использования.

Термин "электроинструмент" в предупреждениях относится ко всему инструменту, работающему от сети (с проводом) или на аккумуляторах (без провода).

## ПРАВИЛА ТЕХНИКИ БЕЗОПАСНОСТИ ПРИ ОБРАЩЕНИИ С АККУМУЛЯТОРНЫМ ПЕРФОРАТОРОМ

Инструкции по технике безопасности при выполнении работ

1. **Обязательно используйте средства защиты слуха.** Воздействие шума может привести к потере слуха.
2. **Используйте дополнительную ручку (если входит в комплект инструмента).** Утрата контроля над инструментом может привести к травме.

3. Если при выполнении работ возможен контакт режущего инструмента со скрытой электропроводкой, держите электроинструмент за специальные изолированные поверхности. Контакт режущего инструмента с проводом под напряжением приведет к тому, что металлические детали электроинструмента также будут под напряжением. Это может стать причиной поражения оператора электрическим током.
10. Сразу после окончания работ не прикасайтесь к обрабатываемой детали, головке сверла или к деталям в непосредственной близости от нее. Головка сверла может быть очень горячей и обжечь кожу.

#### Инструкции по технике безопасности при использовании удлинненных головок сверла с перфораторами

1. Всегда начинайте сверление на низкой скорости, прижав конец сверла к обрабатываемой детали. На более высоких скоростях сверло может изогнуться, если позволить ему вращаться свободно без контакта с обрабатываемой деталью, что может привести к травме.
2. Нажимайте на инструмент только вдоль оси сверла и не прилагайте к нему чрезмерных усилий. Сверла могут изгибаться, вызывая поломку или потерю контроля, что может стать причиной травмы.

#### Дополнительные предупреждения о безопасности

1. Надевайте защитную каску (защитный шлем), защитные очки и/или защитную маску для лица. Обычные или солнцезащитные очки НЕ ЯВЛЯЮТСЯ защитными очками. Также настоятельно рекомендуется надевать противопылевой респиратор и перчатки с толстыми подкладками.
2. Перед выполнением работ убедитесь в надежном креплении головки сверла.
3. При нормальной эксплуатации инструмент может вибрировать. Винты могут раскрутиться, что приведет к поломке или несчастному случаю. Перед эксплуатацией тщательно проверяйте затяжку винтов.
4. В холодную погоду, или если инструмент не использовался в течение длительного периода времени, дайте инструменту немного прогреться, включив его без нагрузки. Это размягчит смазку. Без надлежащего прогрева ударное действие будет затруднено.
5. При выполнении работ всегда занимайте устойчивое положение. При использовании инструмента на высоте убедитесь в отсутствии людей внизу.
6. Крепко держите инструмент обеими руками.
7. Руки должны находиться на расстоянии от движущихся деталей.
8. Не оставляйте работающий инструмент без присмотра. Включайте инструмент только тогда, когда он находится в руках.
9. При выполнении работ не направляйте инструмент на кого-либо, находящегося в месте выполнения работ. Головка сверла может выскочить и травмировать других людей.

11. Некоторые материалы могут содержать токсичные химические вещества. Примите соответствующие меры предосторожности, чтобы избежать вдыхания или контакта с кожей таких веществ. Соблюдайте требования, указанные в паспорте безопасности материала.
12. Прежде чем передать инструмент другому человеку, убедитесь, что он отключен, а блок аккумулятора извлечен.
13. Перед началом работы убедитесь в том, что под поверхностью рабочей зоны не проходят линии электропитания, водопроводы или газопроводы. В противном случае головка сверла / зубило могут коснуться этих предметов, что приведет к поражению электрическим током, утечке тока или газа.
14. Не эксплуатируйте инструмент без нагрузки, если в этом нет необходимости.

## СОХРАНИТЕ ДАННЫЕ ИНСТРУКЦИИ.

**⚠ОСТОРОЖНО:** НЕ ДОПУСКАЙТЕ, чтобы удобство или опыт эксплуатации данного устройства (полученный от многократного использования) доминировали над строгим соблюдением правил техники безопасности при обращении с этим устройством. НЕПРАВИЛЬНОЕ ИСПОЛЬЗОВАНИЕ инструмента или несоблюдение правил техники безопасности, указанных в данном руководстве, может привести к тяжелой травме.

### Важные правила техники безопасности для работы с аккумуляторным блоком

1. Перед использованием аккумуляторного блока прочитайте все инструкции и предупреждающие надписи на (1) зарядном устройстве, (2) аккумуляторном блоке и (3) инструменте, работающем от аккумуляторного блока.
2. Не разбирайте блок аккумулятора и не меняйте его конструкцию. Это может привести к пожару, перегреву или взрыву.
3. Если время работы аккумуляторного блока значительно сократилось, немедленно прекратите работу. В противном случае, может возникнуть перегрев блока, что приведет к ожогам и даже к взрыву.
4. В случае попадания электролита в глаза промойте их обильным количеством чистой воды и немедленно обратитесь к врачу. Это может привести к потере зрения.

5. Не замыкайте контакты аккумуляторного блока между собой:
  - (1) Не прикасайтесь к контактам какими-либо токопроводящими предметами.
  - (2) Не храните аккумуляторный блок в контейнере вместе с другими металлическими предметами, такими как гвозди, монеты и т. п.
  - (3) Не допускайте попадания на аккумуляторный блок воды или дождя.

Замыкание контактов аккумуляторного блока между собой может привести к возникновению большого тока, перегреву, возможному ожогу и даже поломке блока.
6. Не храните и не используйте инструмент и аккумуляторный блок в местах, где температура может достигать или превышать 50 °C (122 °F).
7. Не бросайте аккумуляторный блок в огонь, даже если он сильно поврежден или полностью вышел из строя. Аккумуляторный блок может взорваться под действием огня.
8. Запрещено вбивать гвозди в блок аккумулятора, резать, ломать, бросать, ронять блок аккумулятора или ударять его твердым предметом. Это может привести к пожару, перегреву или взрыву.
9. Не используйте поврежденный аккумуляторный блок.
10. Входящие в комплект литий-ионные аккумуляторы должны эксплуатироваться в соответствии с требованиями законодательства об опасных товарах.

При коммерческой транспортировке, например, третьей стороной или экспедитором, необходимо нанести на упаковку специальные предупреждения и маркировку.

В процессе подготовки устройства к отправке обязательно проконсультируйтесь со специалистом по опасным материалам. Также соблюдайте местные требования и нормы. Они могут быть строже.

Закройте или закрепите разомкнутые контакты и упакуйте аккумулятор так, чтобы он не перемещался по упаковке.

11. Для утилизации блока аккумулятора извлеките его из инструмента и утилизируйте безопасным способом. Выполняйте требования местного законодательства по утилизации аккумуляторного блока.
12. Используйте аккумуляторы только с продукцией, указанной Makita. Установка аккумуляторов на продукцию, не соответствующую требованиям, может привести к пожару, перегреву, взрыву или утечке электролита.
13. Если инструментом не будут пользоваться в течение длительного периода времени, извлеките аккумулятор из инструмента.
14. Во время и после использования блок аккумулятора может нагреваться, что может стать причиной ожогов или низкотемпературных ожогов. Будьте осторожны при обращении с горячим блоком аккумулятора.

15. Не прикасайтесь к контактам инструмента сразу после использования, поскольку они могут быть достаточно горячими, чтобы вызвать ожоги.
16. Не допускайте налипания на контакты, отверстия и пазы блока аккумулятора опилок, пыли или земли. Это может стать причиной перегрева, возгорания, взрыва или неисправности инструмента или блока аккумулятора, что может привести к ожогам или травмам.
17. Если инструмент не рассчитан на использование вблизи высоковольтных линий электропередач, не используйте блок аккумулятора вблизи высоковольтных линий электропередач. Это может привести к неисправности, поломке инструмента или блока аккумулятора.
18. Храните аккумулятор в недоступном для детей месте.

## СОХРАНИТЕ ДАННЫЕ ИНСТРУКЦИИ.

**▲ВНИМАНИЕ:** Используйте только фирменные аккумуляторные батареи Makita. Использование аккумуляторных батарей, не произведенных Makita, или батарей, которые были подвергнуты модификациям, может привести к взрыву аккумулятора, пожару, травмам и повреждению имущества. Это также автоматически аннулирует гарантию Makita на инструмент и зарядное устройство Makita.

## Советы по обеспечению максимального срока службы аккумулятора

1. Заряжайте блок аккумуляторов перед его полной разрядкой. Обязательно прекратите работу с инструментом и зарядите блок аккумуляторов, если вы заметили снижение мощности инструмента.
2. Никогда не подзаряжайте полностью заряженный блок аккумуляторов. Перезарядка сокращает срок службы аккумулятора.
3. Заряжайте блок аккумуляторов при комнатной температуре в 10 - 40 °C (50 - 104 °F). Перед зарядкой горячего блока аккумуляторов дайте ему остыть.
4. Если блок аккумулятора не используется, извлеките его из инструмента или зарядного устройства.
5. Зарядите ионно-литиевый аккумуляторный блок, если вы не будете пользоваться инструментом длительное время (более шести месяцев).

# ОПИСАНИЕ РАБОТЫ

**⚠ ВНИМАНИЕ:** Перед регулировкой или проверкой функций инструмента обязательно убедитесь, что он выключен и его аккумуляторный блок снят.

## Установка или снятие блока аккумулятора

**⚠ ВНИМАНИЕ:** Обязательно выключайте инструмент перед установкой и извлечением аккумуляторного блока.

**⚠ ВНИМАНИЕ:** При установке и извлечении аккумуляторного блока крепко удерживайте инструмент и аккумуляторный блок. Если не соблюдать это требование, они могут выскользнуть из рук, что приведет к повреждению инструмента, аккумуляторного блока и травмированию оператора.

Для установки блока аккумулятора совместите выступ блока аккумулятора с пазом в корпусе и задвиньте его на место. Устанавливайте блок до упора, чтобы он зафиксировался с небольшим щелчком. Если вы видите красный индикатор, как показано на рисунке, он не зафиксирован полностью.

Для снятия аккумуляторного блока нажмите кнопку на лицевой стороне и извлеките блок.

► **Рис.1:** 1. Красный индикатор 2. Кнопка 3. Блок аккумулятора

**⚠ ВНИМАНИЕ:** Обязательно устанавливайте блок аккумулятора до конца, чтобы красный индикатор не был виден. В противном случае блок аккумулятора может выпасть из инструмента и нанести травму вам или другим людям.

**⚠ ВНИМАНИЕ:** Не прилагайте чрезмерных усилий при установке аккумуляторного блока. Если блок не двигается свободно, значит он вставлен неправильно.

## Индикация оставшегося заряда аккумулятора

*Только для блоков аккумулятора с индикатором*

Нажмите кнопку проверки на аккумуляторном блоке для проверки заряда. Индикаторы загорятся на несколько секунд.

► **Рис.2:** 1. Индикаторы 2. Кнопка проверки

Индикаторы			Уровень заряда
Горит	Выкл.	Мигает	
■ ■ ■ ■			от 75 до 100%
■ ■ ■ □			от 50 до 75%
■ ■ □ □			от 25 до 50%
■ □ □ □			от 0 до 25%
▣ □ □ □			Зарядите аккумуляторную батарею.
■ ■ □ □			Возможно, аккумуляторная батарея неисправна.
□ □ ■ ■	↑ ↓		

**ПРИМЕЧАНИЕ:** В зависимости от условий эксплуатации и температуры окружающего воздуха индикация может незначительно отличаться от фактического значения.

**ПРИМЕЧАНИЕ:** Первая (дальняя левая) индикаторная лампа будет мигать во время работы защитной системы аккумулятора.

## Система защиты инструмента/аккумулятора

На инструменте предусмотрена система защиты инструмента/аккумулятора. Она автоматически отключает питание двигателя для продления срока службы инструмента и аккумулятора. Инструмент автоматически остановится во время работы в следующих случаях:

### Защита от перегрузки

Если из-за способа эксплуатации аккумулятор потребляет очень большое количество тока, он автоматически остановится без включения каких-либо индикаторов. В этом случае выключите инструмент и прекратите работу, повлекшую перегрузку инструмента. Затем включите инструмент для перезапуска.

### Защита от перегрева

При перегреве инструмента или аккумулятора инструмент останавливается автоматически. В этом случае дайте инструменту/аккумулятору остыть перед повторным включением.

**ПРИМЕЧАНИЕ:** При перегреве инструмента начинает мигать лампа.

### Защита от переразрядки

При истощении емкости аккумулятора инструмент автоматически останавливается. В этом случае извлеките аккумулятор из инструмента и зарядите его.

## Защита от других неполадок

Система защиты также обеспечивает защиту от других неполадок, способных повредить инструмент, и обеспечивает автоматическую остановку инструмента. В случае временной остановки или прекращения работы инструмента выполните все перечисленные ниже действия для устранения причины остановки.

1. Выключите и снова включите инструмент для его перезапуска.
2. Зарядите аккумулятор(-ы) или замените его(их) заряженным(-и).
3. Дайте инструменту и аккумулятору(-ам) остыть.

Если после возврата системы защиты в исходное состояние ситуация не изменится, обратитесь в сервисный центр Makita.

## Действие выключателя

**ОСТОРОЖНО:** Перед установкой аккумуляторного блока в инструмент обязательно убедитесь, что его триггерный переключатель нормально работает и возвращается в положение "OFF" (ВЫКЛ) при отпуске.

Для запуска инструмента просто нажмите на триггерный переключатель. Для увеличения числа оборотов нажмите триггерный переключатель сильнее. Отпустите триггерный переключатель для остановки.

► Рис.3: 1. Триггерный переключатель

## Включение передней лампы

**ВНИМАНИЕ:** Не смотрите непосредственно на свет или источник света.

Лампа продолжает гореть, пока нажат триггерный переключатель. Лампа будет светиться до тех пор, пока нажат триггерный переключатель. Лампа гаснет примерно через 10 секунд после отпущения триггерного переключателя.

► Рис.4: 1. Лампа

**ПРИМЕЧАНИЕ:** Для удаления пыли с линзы лампы используйте сухую ткань. Не допускайте возникновения царапин на линзе лампы, так как это приведет к снижению освещенности.

**ПРИМЕЧАНИЕ:** При перегреве инструмента лампа начинает мигать. В этом случае отпустите триггерный переключатель и контактный элемент и дайте инструменту/аккумулятору остыть перед продолжением работы.

**ПРИМЕЧАНИЕ:** Переднюю лампу нельзя использовать, если в инструмент установлена система пылеулавливания (дополнительная принадлежность).

## Действие реверсивного переключателя

**ВНИМАНИЕ:** Перед работой всегда проверьте направление вращения.

**ВНИМАНИЕ:** Используйте реверсивный переключатель только после полной остановки инструмента. Изменение направления вращения до полной остановки инструмента может привести к его повреждению.

**ВНИМАНИЕ:** Если инструмент не используется, обязательно переведите рычаг реверсивного переключателя в нейтральное положение.

Этот инструмент оборудован реверсивным переключателем для изменения направления вращения. Нажмите на рычаг реверсивного переключателя со стороны А для вращения по часовой стрелке или со стороны В для вращения против часовой стрелки. Когда рычаг реверсивного переключателя находится в нейтральном положении, триггерный переключатель нажать нельзя.


► Рис.5: 1. Рычаг реверсивного переключателя

## Выбор режима действия

**ПРИМЕЧАНИЕ:** Не поворачивайте ручку изменения режима работы во время работы инструмента. Это приведет к поломке инструмента.

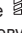
**ПРИМЕЧАНИЕ:** Во избежание быстрого износа механизма изменения режима следите за тем, чтобы ручка изменения режима работы всегда точно находилась в одном из положений режима действия.

## Вращение с ударным действием

Для сверления бетона, кирпичной кладки и т.п. поверните ручку изменения режимов работы в положение . Используйте головку сверла с твердосплавной пластиной.

► Рис.6: 1. Ручка изменения режима работы

## Только вращение

Для сверления дерева, металла или пластмасс поверните ручку изменения режимов работы в положение . Используйте спиральное сверло или сверло по дереву.

► Рис.7: 1. Ручка изменения режима работы

## Электронная функция

Для простоты эксплуатации инструмент оснащен электронными функциями.

- Электрический тормоз  
Этот инструмент оснащен электрическим тормозом. Если после отпущения триггерного переключателя не происходит быстрого прекращения работы инструмента, отправьте инструмент в сервисный центр Makita для обслуживания.
- Постоянный контроль скорости  
Функция контроля скорости обеспечивает неизменное число оборотов независимо от нагрузки.

## СБОРКА

**▲ ВНИМАНИЕ:** Перед проведением каких-либо работ с инструментом обязательно убедитесь, что инструмент отключен, а блок аккумулятора снят.

### Боковая ручка (вспомогательная рукоятка)

**▲ ВНИМАНИЕ:** Для обеспечения безопасности во время работ всегда используйте боковую ручку.

**▲ ВНИМАНИЕ:** После установки или регулировки боковой ручки убедитесь в том, что боковая ручка надежно зафиксирована, а выступы на инструменте полностью вошли в пазы боковой ручки.

Для установки боковой ручки выполните указанные ниже действия.

1. Ослабьте барашковый винт на боковой ручке.

► **Рис.8:** 1. Барашковый винт

2. Устанавливайте боковую ручку таким образом, чтобы ее пазы совмещались с выступами на инструменте при нажатии на барашковый винт.

► **Рис.9:** 1. Барашковый винт

3. Затяните барашковый винт, чтобы закрепить ручку. Ручку можно закрепить под нужным углом.

### Установка или снятие головки сверла

#### Смазка

Перед установкой долота очистите хвостовик и смажьте его.

Смажьте хвостовик долота заранее небольшим количеством смазки (примерно 0,5–1 г). Такая смазка патрона обеспечивает равномерную работу и увеличивает срок службы.

► **Рис.10:** 1. Хвостовик 2. Смазка

Вставьте головку сверла в инструмент. Поверните головку сверла и нажмите, чтобы зафиксировать. После установки убедитесь в надежной фиксации головки сверла, для чего потяните за нее.

► **Рис.11:** 1. Головка сверла

Чтобы снять головку сверла, нажмите на крышку патрона вниз до упора и вытащите головку сверла.

► **Рис.12:** 1. Головка сверла 2. Крышка патрона

## Глубиномер

Глубиномер удобен для сверления отверстий одинаковой глубины.

Нажмите и удерживайте кнопку блокировки, а затем вставьте глубиномер в отверстие. Убедитесь в том, что зубчатая сторона глубиномера обращена к соответствующей метке.

► **Рис.13:** 1. Глубиномер 2. Кнопка блокировки 3. Метка 4. Сторона с зубцами

Отрегулируйте положение глубиномера, двигая его вперед и назад, одновременно нажав и удерживая кнопку замка. Отрегулируйте положение, отпустите кнопку замка, чтобы зафиксировать глубиномер.

**ПРИМЕЧАНИЕ:** Во время присоединения убедитесь, что глубиномер не касается корпуса инструмента.

## Колпак для пыли

### Дополнительные принадлежности

Используйте колпак для пыли для предотвращения падения пыли на инструмент и на вас при выполнении сверления над головой. Прикрепите колпак для пыли к сверлу, как показано на рисунке. Размер сверл, к которым можно прикрепить колпак для пыли, следующий.

Модель	Диаметр сверла
Колпак для пыли 5	6 мм - 14,5 мм
Колпак для пыли 9	12 мм - 16 мм

► **Рис.14:** 1. Колпак для пыли

## Колпак для пыли в сборе

### Дополнительные принадлежности

### Установка колпака для пыли в сборе

**ПРИМЕЧАНИЕ:** Не используйте колпак для пыли в сборе при сверлении металла или аналогичного материала. Это может привести к повреждению колпака для пыли в сборе нагретыми металлическими или подобными частицами. Не устанавливайте и не снимайте колпак для пыли в сборе при установленной на инструменте головке сверла. Это может привести к повреждению колпака для пыли в сборе и утечке пыли.

Перед установкой колпака для пыли в сборе снимите с инструмента головку сверла, если она была на него установлена.

1. Ослабьте барашковый винт на боковой ручке.

2. Установите колпак для пыли в сборе таким образом, чтобы захваты колпака для пыли вошли в прорези боковой ручки.

► **Рис.15:** 1. Колпак для пыли в сборе 2. Боковая ручка

3. Установите боковую ручку таким образом, чтобы ее паз совместился с выступом на инструменте. Затяните барашковый винт, чтобы закрепить боковую ручку.

► **Рис.16:** 1. Боковая ручка 2. Паз 3. Выступ

**ПРИМЕЧАНИЕ:** В случае использования пылесоса совместно с колпаком для пыли в сборе перед подсоединением снимите крышку колпака для пыли.

► **Рис.17:** 1. Крышка колпака для пыли

## Снятие головки сверла

Чтобы снять головку сверла, нажмите вниз на крышку патрона и вытащите головку сверла.

► **Рис.18:** 1. Головка сверла 2. Крышка патрона

## Снятие колпака для пыли в сборе

Чтобы снять колпак для пыли в сборе, выполните описанные ниже действия.

1. Ослабьте барашковый винт на боковой ручке. Снимите боковую ручку с инструмента.

► **Рис.19:** 1. Барашковый винт

2. Возьмитесь за основание колпака для пыли и вытяните его.

**ПРИМЕЧАНИЕ:** Если снять колпак для пыли в сборе затруднительно, извлеките его выступы по одному, проворачивая и вынимая основание.

► **Рис.20:** 1. Колпак для пыли

**ПРИМЕЧАНИЕ:** Если с колпака для пыли в сборе соскочит крышка, установите ее на место.

Для установки колпака обратно в исходное положение выполните указанные ниже действия.

1. Поверните гофрированную трубку против часовой стрелки и снимите ее с насадки колпака для пыли в сборе при разблокированной гофрированной трубке.

► **Рис.21:** 1. Гофрированная трубка  
2. Соединительный элемент

2. Установите колпак обратно на место маркированной стороной вверх.

► **Рис.22:** 1. Крышка 2. Соединительный элемент

3. Убедитесь в том, что канавки по краю крышки надежно соединились с выступами по краю верхнего отверстия соединительного элемента.

## Крючок для подвешивания инструмента

### Дополнительные принадлежности

**ВНИМАНИЕ:** Не используйте поврежденный крючок для подвешивания инструмента и винт. Перед началом работы проведите осмотр и убедитесь в том, что на инструменте отсутствуют повреждения, трещины или деформация, а также в том, что винт затянут.

**ВНИМАНИЕ:** Устанавливайте или снимайте крючок для подвешивания инструмента на устойчивом столе или поверхности. Используйте только тот винт, который идет в комплекте с крючком для подвешивания инструмента. После установки крючка для подвешивания инструмента убедитесь в том, что он надежно закреплен винтом.

**ВНИМАНИЕ:** Не извлекайте блок аккумулятора во время подвешивания инструмента. Инструмент может упасть, если винт не затянут.

Крючок для подвешивания инструмента предназначен для подсоединения стропа (страховочного ремня).

Перед установкой крючка для подвешивания инструмента выверните резиновую заглушку из резьбового отверстия в крепежном кронштейне. Вставьте квадратную гайку под кронштейн. Затяните крючок для подвешивания инструмента с помощью винта на своем месте.

► **Рис.23:** 1. Резиновая заглушка 2. Крепежный кронштейн 3. Квадратная гайка  
4. Крючок для подвешивания инструмента 5. Винт

## Инструкции по технике безопасности при подсоединении стропа (страховочного ремня) к крючку для подвешивания инструмента

### Инструкции по технике безопасности работ на высоте

Ознакомьтесь со всеми предупреждениями и инструкциями по технике безопасности. Несоблюдение требований предупреждений и инструкций может привести к серьезным травмам.

1. При выполнении работ на высоте всегда используйте страховочный ремень для фиксации инструмента. Максимальная длина стропа составляет 2 м. Максимально допустимая высота падения для стропа (страховочного ремня) не должна превышать 2 м.
2. С этим инструментом следует использовать только специальные стропы, рассчитанные на нагрузку не менее 6,0 кг.
3. Не прикрепляйте строп инструмента к элементам одежды или к подвижным деталям. Прикрепите строп инструмента к жесткой конструкции, которая может выдержать вес падающего инструмента.
4. Перед использованием убедитесь в том, что строп надежно закреплен со всех концов.
5. Проверяйте инструмент и строп перед каждым использованием на предмет исправности и отсутствия повреждений (включая состояние ткани и швов). Не используйте поврежденные или неисправные приспособления.
6. Не оборачивайте стропы вокруг предметов с острыми или зазубренными краями и не допускайте соприкосновения стропов с такими предметами.
7. Прикрепите другой конец стропа за пределами рабочей зоны таким образом, чтобы падающий инструмент надежно фиксировался.
8. Прикрепите строп таким образом, чтобы в случае падения инструмент двигался в противоположном от оператора направлении. Упавшие инструменты будут раскачиваться на стропе, что может привести к травме или потере баланса.

9. Не использовать вблизи движущихся частей или работающего оборудования. Несоблюдение этого требования может привести к механическим повреждениям или запутыванию.
10. Не переносите инструмент, держа за крепёжное приспособление или строп.
11. Переключайте инструмент из одной руки в другую только находясь в устойчивом положении.
12. Прикрепляя стропы к инструменту, следите за тем, чтобы они не препятствовали нормальной работе переключателей или механизмов блокировки триггерных переключателей (при наличии).
13. Не допускайте запутывания в стропе.
14. Держите строп на расстоянии от зоны сверления инструмента.
15. Используйте муфтованный карабин (универсальный и с винтовым зажимом). Не используйте карабины одностороннего действия с пружинным фиксатором.
16. Если инструмент упал, его следует помечать, прекратить его эксплуатацию и отправить на завод или в авторизованный сервисный центр Makita для проверки.
17. Не подвешивайте инструмент себе на пояс. Разогретый инструмент и его принадлежность могут коснуться кожи и вызвать ожог.

► **Рис.24:** 1. Крючок для подвешивания инструмента 2. Строп (страховочный ремень)

## СИСТЕМА ПЫЛЕУЛАВЛИВАНИЯ

### Дополнительные принадлежности

Система пылеулавливания предназначена для эффективного улавливания пыли при сверлении бетона.

► **Рис.25:** 1. Система пылеулавливания

**⚠ВНИМАНИЕ:** Система пылеудаления предназначена только для сверления бетона. Не используйте систему пылеудаления при сверлении металла или дерева.

**⚠ВНИМАНИЕ:** При использовании инструмента с системой пылеудаления к системе необходимо присоединить фильтр, чтобы избежать вдыхания пыли.

**⚠ВНИМАНИЕ:** Перед началом использования системы пылеулавливания проверьте, не поврежден ли фильтр, и не забились ли пыль и инородные материалы во внутренней трубке. Несоблюдение этого требования может привести к вдыханию пыли.

**⚠ВНИМАНИЕ:** Система пылеудаления рассчитана на удаление значительного объема образующейся пыли, однако она не может удалить всю пыль.

**ПРИМЕЧАНИЕ:** Не используйте систему пылеудаления для колонкового бурения или долбления долотом.

**ПРИМЕЧАНИЕ:** Не используйте систему пылеулавливания при сверлении металла или дерева. Система пылеулавливания предназначена только для бетона.

**ПРИМЕЧАНИЕ:** Не используйте систему пылеудаления для сверления влажного бетона или во влажных условиях. Несоблюдение этого требования может привести к поломке.

### Установка или снятие

**ПРИМЕЧАНИЕ:** Перед установкой системы пылеулавливания очистите места соединения на инструменте и систему пылеулавливания. Наличие сора на местах соединения может помешать установке системы пылеулавливания. Если на воздушно-канале останется пыль, то она попадет внутрь инструмента и становится причиной нарушения циркуляции воздуха и поломки инструмента.

Для установки системы пылеулавливания вставьте инструмент в систему пылеулавливания до упора, пока инструмент не зафиксируется на месте с легким щелчком.

► **Рис.26**

Для снятия системы пылеулавливания потяните инструмент вверх, нажимая на кнопку разблокировки.

► **Рис.27:** 1. Кнопка блокировки в выключенном положении

### Регулировка положения сопла системы пылеулавливания

**⚠ВНИМАНИЕ:** Не направляйте сопло на себя или других людей при нажатии кнопки регулировки направляющей для его разблокирования.

Сдвигайте направляющую сопла, удерживая нажатой кнопку регулировки направляющей, после чего отпустите кнопку в том положении, где кончик головки сверла располагается чуть позади передней поверхности сопла.

► **Рис.28:** 1. Направляющая 2. Кнопка регулировки направляющей 3. Кончик головки сверла 4. Передняя поверхность сопла

### Регулировка глубины сверления

Глубины сверления можно регулировать, меняя расстояние между кнопкой регулировки глубины и опорным рычагом направляющей сопла. Сдвиньте кнопку регулировки глубины в нужное положение, удерживая ее нажатой.

► **Рис.29:** 1. Кнопка регулировки глубины 2. Направляющая сопла 3. Опорный рычаг направляющей сопла 4. Диапазон глубины сверления



## Очистка фильтра от пыли

**▲ВНИМАНИЕ:** Не поворачивайте диск на корпусе для сбора пыли, если корпус для сбора пыли отсоединен от системы пылеулавливания. Это может привести к вдыханию пыли.

**▲ВНИМАНИЕ:** Обязательно выключайте инструмент, прежде чем повернуть диск на корпусе для сбора пыли. Поворот этого диска при работающем инструменте может привести к потере контроля над инструментом.

Благодаря очистке фильтра от пыли внутри корпуса для сбора пыли можно сохранить эффективность очистки пылесосом и снизить количество операций по удалению пыли. Поворачивайте регулятор на корпусе для сбора пыли три раза после сбора каждых 50 000 мм<sup>3</sup> пыли или когда почувствуете, что качество очистки пылесосом снизилось.

**ПРИМЕЧАНИЕ:** 50 000 мм<sup>3</sup> эквивалентны высверливанию 10 отверстий диаметром 10 мм и глубиной 65 мм.

► Рис.30: 1. Корпус для сбора пыли 2. Регулятор со шкалой

## Удаление пыли

**▲ВНИМАНИЕ:** Перед проведением каких-либо работ с инструментом обязательно убедитесь, что инструмент отключен, а блок аккумулятора снят.

**▲ВНИМАНИЕ:** Обязательно надевайте защитную маску при удалении пыли.

**▲ВНИМАНИЕ:** При удалении пыли обязательно дождитесь полной остановки инструмента.

**▲ВНИМАНИЕ:** Регулярно очищайте корпус для сбора пыли до его заполнения. Несоблюдение этого требования может привести к ухудшению процесса сбора пыли и вдыханию пыли.

**▲ВНИМАНИЕ:** Процесс удаления пыли ухудшается, если фильтр корпуса для сбора пыли засорен. В качестве рекомендации замените фильтр новым после 200 раз заполнения пылесборника. Несоблюдение этого требования может привести к вдыханию пыли.

1. Снимите корпус для сбора пыли при нажатии рычага корпуса.

► Рис.31: 1. Рычаг

2. Откройте крышку корпуса для сбора пыли.

► Рис.32: 1. Крышка

3. Удалите пыль, затем очистите фильтр.

► Рис.33

**ПРИМЕЧАНИЕ:** При очистке фильтра слегка коснитесь корпуса фильтра рукой для удаления пыли. Не прикасайтесь к самому фильтру; не прикасайтесь к фильтру щеткой или аналогичными приспособлениями и не направляйте поток сжатого воздуха на фильтр. Это может повредить фильтр.

## Замена фильтра корпуса для сбора пыли

1. Снимите корпус для сбора пыли при нажатии рычага корпуса.

► Рис.34: 1. Рычаг

2. Откройте крышку фильтра корпуса для сбора пыли.

► Рис.35: 1. Крышка фильтра

3. Снимите фильтр с корпуса фильтра.

► Рис.36: 1. Фильтр 2. Корпус фильтра

4. Установите новый фильтр в корпус фильтра, затем установите крышку фильтра.

5. Закройте крышку корпуса для сбора пыли и прикрепите контейнер для сбора пыли к системе пылеулавливания.

## Замена уплотнительной крышки

1. Вставьте плоскую отвертку в один из пазов, расположенных по бокам головки насадки.

Наклоните плоскую отвертку на некоторый угол, чтобы прижать кубический зацеп уплотнительной крышки и вытолкнуть его наружу. Затем оторвите резиновый край уплотнительной крышки от края отверстия головки насадки.

► Рис.37: 1. Уплотнительная крышка 2. Кубический зацеп 3. Паз 4. Головка насадки

2. Вставьте один из кубических зацепов обновленной уплотнительной крышки в нижнюю часть паза головки насадки таким образом, чтобы вогнутая поверхность уплотнительной крышки была обращена вперед.

► Рис.38: 1. Кубические зацепы 2. Нижняя часть паза 3. Уплотнительная крышка 4. Вогнутая поверхность

3. Вставьте второй зацеп с противоположной стороны, изменив положение уплотнительной крышки таким образом, чтобы она плотно прилегалась к головке насадки.

► Рис.39: 1. Уплотнительная крышка 2. Кубический зацеп 3. Нижняя часть паза 4. Головка насадки 5. Край

4. Аккуратно наложите резиновый край уплотнительной крышки на край отверстия головки насадки снизу вверх.

► Рис.40: 1. Резиновый край 2. Уплотнительная крышка 3. Головка насадки

## ЭКСПЛУАТАЦИЯ

**ВНИМАНИЕ:** Всегда пользуйтесь боковой ручкой (вспомогательной рукояткой) и при работе крепко держите инструмент и за боковую ручку, и за ручку с выключателем.

**ВНИМАНИЕ:** Перед началом работы всегда проверяйте надежность закрепления рабочей детали.

**ВНИМАНИЕ:** Не тяните инструмент силой, даже если головка застряла. Потеря контроля над инструментом может привести к травме.


**ПРИМЕЧАНИЕ:** Перед использованием инструмента с системой пылеулавливания ознакомьтесь с разделом, посвященным системе пылеулавливания.

**ПРИМЕЧАНИЕ:** Если температура блока аккумулятора низкая, производительность инструмента может быть снижена. В этом случае нагрейте блок аккумулятора, для этого дайте инструменту поработать без нагрузки в течение некоторого времени. Производительность инструмента восстановится.

► Рис.41

## Сверление с ударным действием

**ВНИМАНИЕ:** Когда инструмент/головка сверла начинает выходить из материала при завершении отверстия или когда отверстие забивается стружкой или частицами, а также при попадании на пруток арматуры при сверлении бетона, возникает огромное мгновенное усилие на инструмент/головку сверла. **Всегда пользуйтесь боковой ручкой (вспомогательной рукояткой) и при работе крепко держите инструмент и за боковую ручку, и за ручку с выключателем.** Несоблюдение данного требования может привести к потере контроля над инструментом и серьезной травме.

Поверните ручку изменения режима работы к символу . Расположите головку сверла в желаемом положении в отверстии, а затем оттяните триггерный переключатель. Приложите усилие подачи к рукоятке с выключателем (главной рукоятке) для обеспечения точности и эффективности работы и удерживайте боковую ручку (вспомогательную рукоятку) для сохранения инструмента в равновесии. Удерживайте инструмент на месте и не допускайте его соскальзывания с места выполнения отверстия.

Не применяйте дополнительное давление, если отверстие засорено щепками или посторонними частицами. Вместо этого дайте инструменту поработать холостую и затем частично вытаскивайте головку сверла из отверстия. Если эту процедуру проделать несколько раз, отверстие очистится и можно будет возобновить обычное сверление.

**ПРИМЕЧАНИЕ:** При работе с инструментом без нагрузки может наблюдаться эксцентricность головки сверла при вращении. Инструмент осуществляет автоматическую центровку в ходе его эксплуатации. Это не влияет на точность сверления.

## Сверление дерева или металла


**ВНИМАНИЕ:** Крепко удерживайте инструмент и будьте осторожны, когда головка сверла начинает проходить сквозь обрабатываемую деталь. В момент выхода головки сверла из детали возникает огромное усилие на инструмент/сверло.

**ВНИМАНИЕ:** Заклинившая головка сверла может быть без проблем извлечена из обрабатываемой детали путем изменения направления вращения при помощи реверсивного переключателя. Однако если вы не будете крепко держать инструмент, он может резко сдвинуться назад.

**ВНИМАНИЕ:** Всегда закрепляйте обрабатываемые детали в тисках или аналогичном зажимном устройстве.

**ПРИМЕЧАНИЕ:** Запрещается использовать режим "вращения с ударным действием", если на инструменте установлен сверлильный патрон. Это может привести к повреждению сверлильного патрона. Кроме того, при изменении направления вращения сверлильный патрон отсоединится.

**ПРИМЕЧАНИЕ:** Чрезмерное нажатие на инструмент не ускорит сверление. На самом деле, чрезмерное давление повредит наконечник головки сверла, снизит производительность инструмента и сократит срок его службы.

Поверните ручку изменения режима работы к символу . Прикрепите переходник патрона к сверлильному патрону без ключа, на который можно установить винт размером 1/2"-20, затем установите их на инструмент. При его установке обратитесь к разделу "Установка или снятие головки сверла".

► Рис.42: 1. Сверлильный патрон в сборе  
2. Переходник патрона

## Груша для продувки

### Дополнительные принадлежности

После сверления отверстия воспользуйтесь грушей для продувки, чтобы удалить пыль из отверстия.

► Рис.43

## Использование колпака для пыли в сборе

### Дополнительные принадлежности

Во время эксплуатации инструмента колпак для пыли в сборе должен быть установлен параллельно потолку.

► Рис.44

**ПРИМЕЧАНИЕ:** Не используйте колпак для пыли в сборе при сверлении металла или аналогичного материала. Это может привести к повреждению колпака для пыли в сборе нагретыми металлическими или подобными частицами.

**ПРИМЕЧАНИЕ:** Не устанавливайте и не снимайте колпак для пыли в сборе при установленной на инструмент головке сверла. Это может привести к повреждению колпака для пыли в сборе и утечке пыли.

## ОБСЛУЖИВАНИЕ

**⚠ ВНИМАНИЕ:** Перед проведением проверки или работ по техобслуживанию всегда проверяйте, что инструмент выключен, а блок аккумуляторов снят.

**ПРИМЕЧАНИЕ:** Запрещается использовать бензин, растворители, спирт и другие подобные жидкости. Это может привести к обесцвечиванию, деформации и трещинам.

Для обеспечения БЕЗОПАСНОСТИ и НАДЕЖНОСТИ оборудования ремонт, любое другое техобслуживание или регулировку необходимо производить в уполномоченных сервис-центрах Makita или сервис-центрах предприятия с использованием только сменных частей производства Makita.

## ДОПОЛНИТЕЛЬНЫЕ ПРИНАДЛЕЖНОСТИ

**⚠ ВНИМАНИЕ:** Данные принадлежности или приспособления рекомендуются для использования с инструментом Makita, указанным в настоящем руководстве. Использование других принадлежностей или приспособлений может привести к получению травмы. Используйте принадлежность или приспособление только по указанному назначению.

Если вам необходимо содействие в получении дополнительной информации по этим принадлежностям, свяжитесь с вашим сервис-центром Makita.

- Головки сверла с твердосплавной пластиной (головки сверла с твердосплавной пластиной SDS-Plus)
- Переходник патрона
- Сверлильный патрон без ключа
- Смазка сверла
- Глубиномер
- Груша для продувки
- Колпак для пыли
- Колпак для пыли в сборе
- Система пылеулавливания
- Крючок для подвешивания инструмента
- Оригинальный аккумулятор и зарядное устройство Makita

**ПРИМЕЧАНИЕ:** Некоторые элементы списка могут входить в комплект инструмента в качестве стандартных приспособлений. Они могут отличаться в зависимости от страны.

**Makita Europe N.V.** Jan-Baptist Vinkstraat 2,  
3070 Kortenberg, Belgium

**Makita Corporation** 3-11-8, Sumiyoshi-cho,  
Anjo, Aichi 446-8502 Japan

[www.makita.com](http://www.makita.com)

885A17-983  
EN, SV, NO, FI, DA,  
LV, LT, ET, RU  
20221116