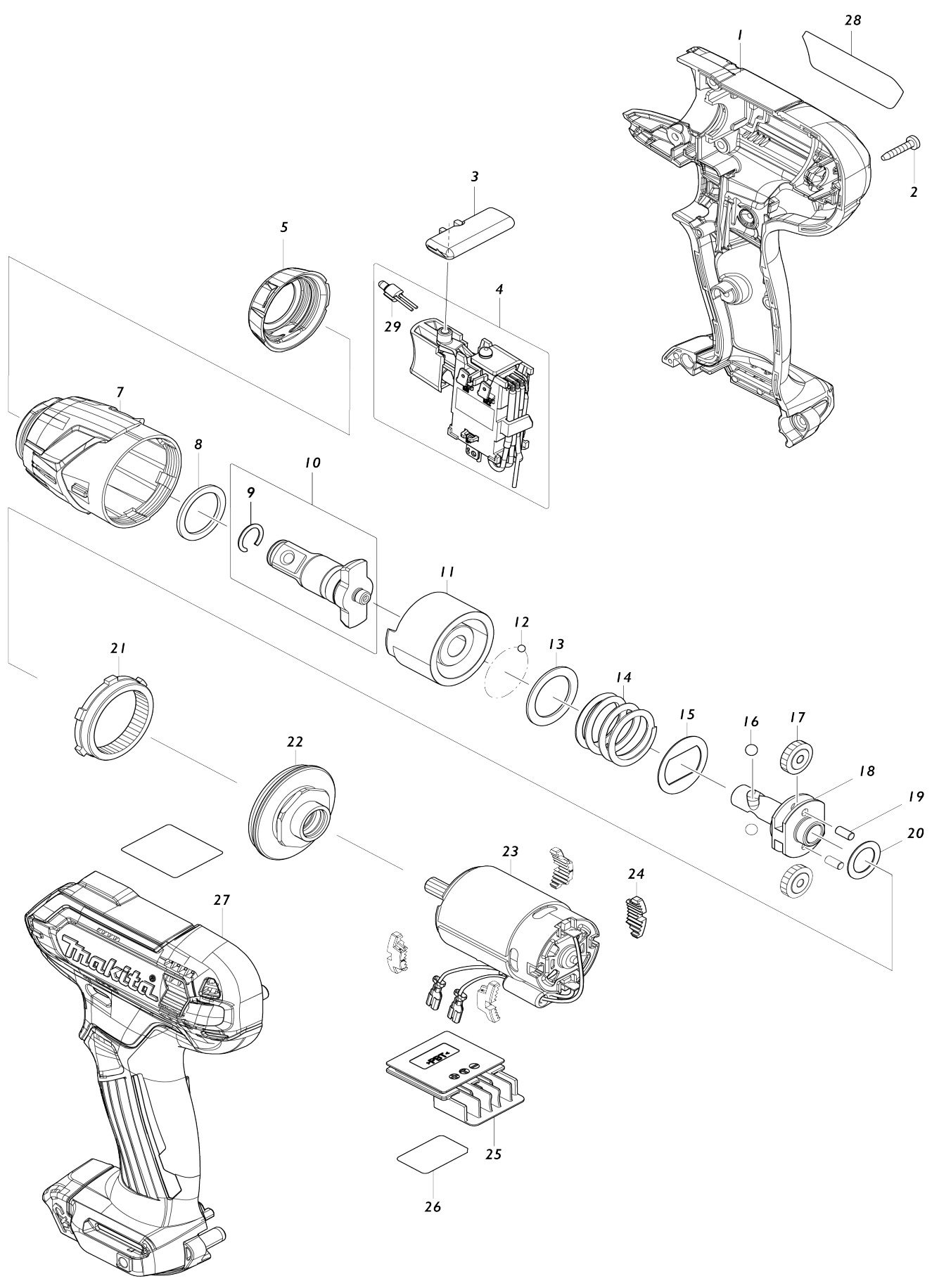


# Model No.TW141D CORDLESS IMPACT WRENCH



Model No.TW141D CORDLESS IMPACT WRENCH

Item No.	Parts No.	Description	Interchangability	Q'ty	New/Old	Note1	Note2
F13	191W05-0	115/125MM DUST COVER SET		1			
C10	743129-6	BRUSH A		1			
C20	743130-1	BRUSH B		1			
A04	412393-7	BATTERY COVER		2			
A05	***DC40RA	DC40RA FAST CHARGER		1			
D10		COMPO-PARTS					
A06	191B26-6	BATTERY BL4040 SET		2			
A07	821552-6	CONNECTOR PLASTIC CASE (TYPE4)		1			
C10	453974-8	LATCH		4			
A10	835E79-0	INNER TRAY		1			
F13	191W05-0	115/125MM DUST COVER SET		1			
C10	743129-6	BRUSH A		1			
C20	743130-1	BRUSH B		1			
F19	1910Y0-7	WHEEL COVER 125C SET		1			
A04	412393-7	BATTERY COVER		2			
A05	***DC40RA	DC40RA FAST CHARGER		1			
D10		COMPO-PARTS					
A06	191B26-6	BATTERY BL4040 SET		2			
A07	821552-6	CONNECTOR PLASTIC CASE (TYPE4)		1			
C10	453974-8	LATCH		4			
A10	835E79-0	INNER TRAY		1			
F13	191W05-0	115/125MM DUST COVER SET		1			
C10	743129-6	BRUSH A		1			
C20	743130-1	BRUSH B		1			
C10	263002-9	RUBBER PIN 4		1			
C16	252323-4	CIRCULAR NUT M15-23	<	1			
C20	232163-6	CUP SPRING 20		2			
C25	267798-4	LOCK WASHER		2			
C30	227998-8	SPIRAL BEVEL GEAR 53		1			
C35	265120-9	PAN HEAD SCREW M5X16		3			
C40	285741-1	BEARING RETAINER 50		1			
C45	267167-9	FLAT WASHER 15		1			
C50	211278-2	BALL BEARING 6203DDW		1			
C55	312D39-8	BEARING BOX		1			
C60	141D62-4	SPINDLE COMPLETE		1			
015	265541-5	HEX. SOCKET HEAD BOLT M6X22		4			
017	122889-7	WHEEL COVER 180K ASSEMBLY		1			
C10	213017-6	O RING 6		1			
C20	265198-2	+PAN HEAD SCREW M8X25		1			
017-1	141P30-9	WHEEL COVER 180K COMPLETE	<	1			
C10	213017-6	O RING 6		1			
C20	265198-2	+PAN HEAD SCREW M8X25		1			
C30	8050A1-8	CAUTION LABEL		1			
019	224485-8	LOCK NUT 14-45		1			
020	456238-9	DIFFUSER		1			
021	252194-9	HEX. NUT M8		1			

022	227954-8	SPIRAL BEVEL GEAR 15		1		
023	211132-0	BALL BEARING 6301DDW		1		
024	262085-6	RUBBER RING 38		1		
025	267299-2	FLAT WASHER 20		1		
026	962211-4	RETAINING RING R-42		1		
027	511A29-2	ARMATURE ASS'Y 240V		1		
C10	240161-6	FAN 86		1		
D10		INC. 28,29				
028	681630-2	INSULATION WASHER		1		
029	211087-9	BALL BEARING 6200DDW		1		
030	456239-7	BAFFLE PLATE		1		
032	266038-7	TAPPING SCREW 5X70		2		
034	456246-0	BRUSH HOLDER COVER R		1		
035	266385-6	TAPPING SCREW 4X14		1		
036	191T31-1	CARBON BRUSH SET CB-224		1		
037	643715-2	BRUSH HOLDER		2		
038	266385-6	TAPPING SCREW 4X14		1		
043	456245-2	BRUSH HOLDER COVER L		1		
046	266385-6	TAPPING SCREW 4X14		1		
D10		INC. 52				
049	266385-6	TAPPING SCREW 4X14		1		
050	687169-3	STRAIN RELIEF		1		
051	632F79-5	SWITCH UNIT		1		
D10		INC. 47				
053	682573-1	CORD GUARD 10		1		
057	8038D3-7	CLEAR LABEL		1	*	
A02	782034-2	LOCK NUT WRENCH 35		1		
A10	122914-4	WHEEL COVER 180CK ASSEMBLY		1		
C10	213017-6	O RING 6		1		
C20	265198-2	+PAN HEAD SCREW M8X25		1		
018	265995-6	TAPPING SCREW 4X18		2		
019	638000-6	SUPPORT COMPLETE		1		
020	634363-8	FIELD 220-240V		1		
C10	240034-3	FAN 70		1		
070	259037-6	SELF LOCK 16		1		
081	315931-3	STOPPER		1		
A01	122609-9	NOZZLE ASS'Y		1		
A02	164834-6	STRAIGHT GUIDE		1		
A03	122615-4	DUST NOZZLE ASS'Y		1		
A04	344904-9	TEMPLET GUIDE 12		1		
A05	781008-0	WRENCH 17		1		
F01	199140-0	GUIDE RAIL 1000 SET		1		
F02	199141-8	GUIDE RAIL 1500 SET		1		
F03	194368-5	GUIDE RAIL 1400 SET		1		
F04	194925-9	GUIDE RAIL 1900 SET		1		
F05	194367-7	GUIDE RAIL 3000 SET		1		
F06	194416-0	SHEET 10000 SET		1		
F07	194417-8	RUBBER SHEET 10000 SET		1		
F08	194418-6	POSITION SHEET 1400 SET		1		
F09	194910-2	POSITION SHEET 1900 SET		1		
A05	***DC10WC	DC10WC BATTERY CHARGER		1	*	
A05-1	***DC10WD	DC10WD BATTERY CHARGER	<	1		

D10		COMPO-PARTS				
A06	197394-3	BATTERY BL1020B SET		2	*	
A06-1	197396-9	BATTERY BL1021B SET	<	2	*	
A06-2	197396-9	BATTERY BL1021B SET	O	2		
F40	347C56-3	HOOK		1		
C40	345205-8	BRANCH CATCHER		1		
C50	911208-0	PAN HEAD SCREW M5X10		1		
C30	265181-9	+TRUSS HEAD SCREW M5X20		7		
C40	345205-8	BRANCH CATCHER		1		
C50	911208-0	PAN HEAD SCREW M5X10		1		
074-1	922216-6	H.S.H.BOLT M5X14 WITH W	O	1		
075	922233-6	H.S.H.BOLT M5X20 WITH WR		1		
C10	263005-3	RUBBER PIN 6		2	*	
D10		INC. 50				
077	266326-2	TAPPING SCREW 4X18		2		
078	266420-0	TAPPING SCREW 5X20		2		
079	347752-5	BATTERY GUARD		1		
080	422230-7	CAP		1		
081	8025F3-0	XGT LOGO LABEL		1		
087	144316-4	PROTECTOR U EXT. 420-450 COM P		1		
C10	346696-6	HOOK		2		
C20	232284-4	LEAF SPRING		2		
088	459765-5	CUTTER EXTENSION		1		
089	347115-5	CUTTER		1		
090	266459-3	TAPPING SCREW 5X25		1		
A03	126642-3	PLASTIC BLADE ASSEMBLY255-M 10L		1		
A04	144392-8	TOOL COVER 2T		1		
A05	198345-9	CUTTER BLADE 255-2 SET ME		1		
A06	782238-6	BOX WRENCH 17		1		
A07	783202-0	HEX. WRENCH 4		1		
A08	831304-7	ACCESSORY BAG		1		
A09	412393-7	BATTERY COVER		1		
A10	***DC40RA	DC40RA FAST CHARGER		1		
D10		COMPO-PARTS				
A11	191B26-6	BATTERY BL4040 SET		1		
A12	195246-2	SAFETY GOGGLE		1	*	
F17	197472-9	NYLON CORD 2.0-15M SET		1		
F18	197473-7	NYLON CORD 2.0-30M SET		1		
F19	197474-5	NYLON CORD 2.0-160M SET		1		
F20	197475-3	NYLON CORD 2.0-280M SET		1		
F26	199868-0	PLASTIC BLADE 305 SET MG		1		
F27	199870-3	PLASTIC BLADE 305 BLADE SET MG		1		
F28	198266-5	TRIMMER HEAD 110-M10L SET M E		1		
F34	198502-9	NYLON CORD 2.4-30M SET		1		
F35	198503-7	NYLON CORD 2.4-120M SET		1		
F36	198504-5	NYLON CORD 2.4-180M SET		1		
F39	199378-7	BAND ASSEMBLY SET		1		
F40	199450-5	GREASE VESSEL SET		1		

A09	199884-2	TRIMMER HEAD 105-M10L SET M G		1		
001	183J75-5	HOUSING SET		1		
C10	252126-6	HEX. LOCK NUT M4-7		2		
D10		INC. 27				
002	266429-2	TAPPING SCREW 3X16		8		
003	456039-5	F/R CHANGE LEVER		1		
004	632M06-4	SWITCH UNIT		1		
D10		INC. 29				
005	422407-4	BUMPER		1		
007	140D36-2	HAMMER CASE COMPLETE		1		
C10	213882-3	O-RING 16		1		
008	261140-1	NYLON WASHER 20		1		
009	231907-1	RING SPRING 10		1		
010	136030-6	ANVIL E ASSY		1		
D10		INC. 9				
011	327334-9	HAMMER		1		
012	216019-1	STEEL BALL 3		24		
013	267380-9	FLAT WASHER 20		1		
014	232517-7	COMPRESSION SPRING 21		1		
015	267813-4	WASHER 21		1		
016	216002-8	STEEL BALL 4.8		2		
017	226190-3	SPUR GEAR 18		2		
018	327127-4	SPINDLE		1		
019	268217-3	PIN 3.5		2		
020	253052-2	FLAT WASHER 12		1		
021	226191-1	INTERNAL GEAR 45		1	*	
021-1	226957-9	INTERNAL GEAR 45	S	1		
022	140B04-3	BEARING BOX COMPLETE		1	*	
C10	213188-9	O-RING 13		1	*	
022-1	140P27-5	BEARING BOX COMPLETE	S	1		
C10	213188-9	O-RING 13		1		
023	632L96-1	MOTOR COMPLETE		1		
024	422273-9	CUSHION		4		
025	644813-5	TERMINAL		1		
026	855557-8	TW141D SERIAL NO. LABEL		1		
027	183J75-5	HOUSING SET		1		
C10	252126-6	HEX. LOCK NUT M4-7		2		
D10		INC. 1				
028	855550-2	TW141D NAME PLATE		1		
029	620625-0	LED CIRCUIT		1		
031	213458-6	O RING 34	S	1		
A01	266622-8	+ TRUSS HEAD SCREW M4X12		1		
A02	346909-5	HOOK		1		
A03	821661-1	PLASTIC CARRYING CASE		1		
C10	417724-5	LATCH		2		
A04	***DC10WD	DC10WD BATTERY CHARGER		1		
D10		COMPO-PARTS				
A05	197406-2	BATTERY BL1041B SET		2	*	
A05-1	197406-2	BATTERY BL1041B SET	O	2		
A06	456128-6	BATTERY COVER		1		
F40	347C56-3	HOOK		1		

A05	197396-9	BATTERY BL1021B SET		2	*		
A05-1	197396-9	BATTERY BL1021B SET	O	2			

Please state Parts No. when your order.

Print Date 05/13/2024