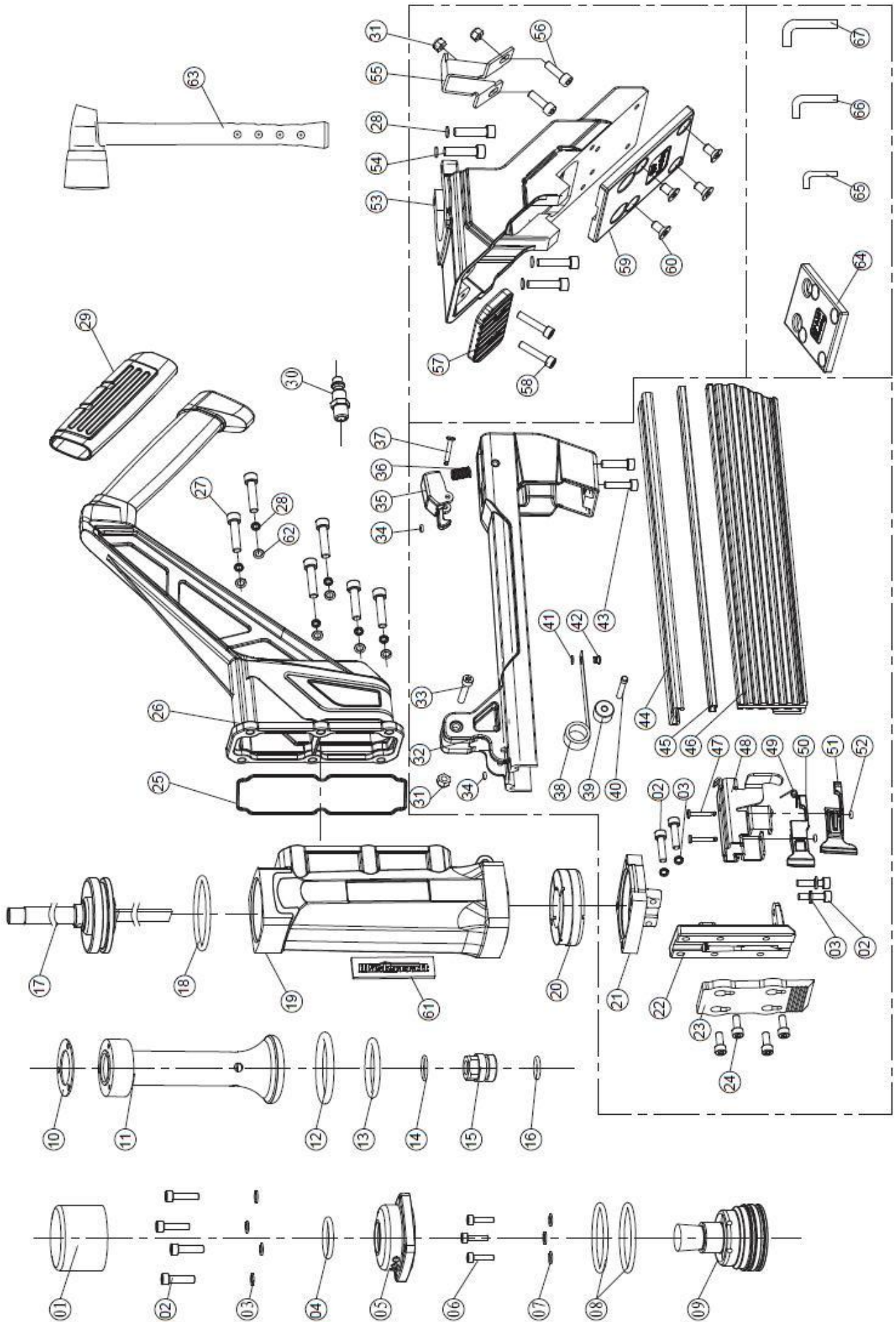


Детализировка и лист запасных частей FROSP FNS50



No.	Description	Qty.	No.	Description	Qty.
1	Whack cap	1	35	Magazine pusher latch	1
2	M5x20 Screw	8	36	Magazine pusher latch spring	1
3	Washers D=5	8	37	Magazine pusher latch pin	1
4	O-ring 25 x 3.55	1	38	Magazine coil spring	1
5	Cylinder cover	1	39	Coil spring core	1
6	N4 x 16 Bolt	3	40	Coil spring pin	1
7	Washers D=4	3	41	Coil spring seal	1
8	O-ring 48.7 x 2.65	2	42	Coil spring nut	1
9	Piston seat	1	43	M5 x16 Screws	4
10	Piston sleeve cover seal	1	44	Pusher seat shelf	1
11	Piston sleeve	1	45	Nail guide	1
12	O-ring 32 x 4.5	1	46	Magazine	1
13	O-ring 12.4 x 2.5	1	47	Pin	2
14	O-ring15.6 x 1.8	1	48	Pusher seat	1
15	Nut	1	49	Pusher spring	2
16	O-ring 12.8 x 1.8	1	50	Right pusher	1
17	Piston assembly	1	51	Left pusher	1
18	O-ring 50 x 3.55	1	52	O-ring 1.2 x 1.5	2
19	Aluminum housing	1	53	Base (shoe)	1
20	Bumper	1	54	M6 x 40 Screws	4
21	Cylinder seat	1	55	Bracket	1
22	Driver guide plate	1	56	M5 x 14 Screws	2
23	Driver guide cover plate	1	57	Front foot	1
24	M6 x 12 Screws	4	58	M5 x 18 Screws	2
25	Handle gasket	1	59	3/4" base plate	1
26	Handle	1	60	M6 x 18 screws	4
27	M6 x 25 Screws	6	61	LOGO	2
28	Washer	10	62	Washer D=6	6
29	Hand grip	1	63	Mallet	1
30	1/4 NPT 18 Air inlet plug	1	64	1/2" & 5/8" Base plate	1
31	Self locking nut	3	65	M4 Hex key	1
32	Magazine cover	1	66	M5 Hex key	1
33	M5 x 22 Screws	1	67	M6 Hex key	1
34	O-ring 1.7 x 2	4			