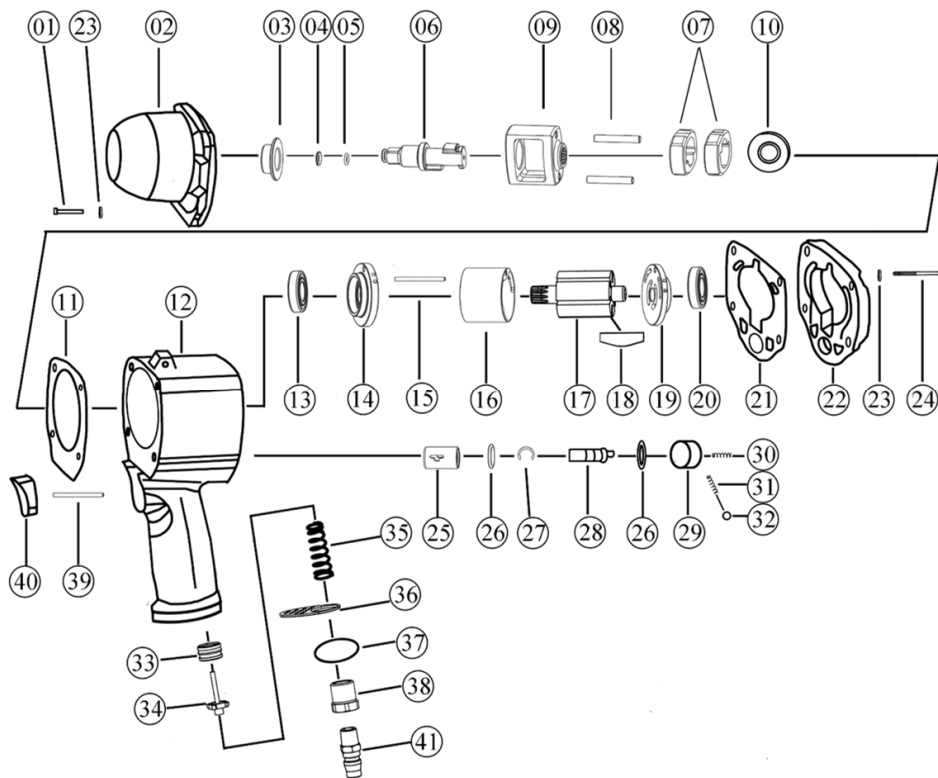


ДЕТАЛИРОВКА И ЛИСТ ЗАПАСНЫХ ЧАСТЕЙ К ПНЕВМОГАЙКОВЕРТУ FROSP ПГ-126

Version: 9/15/2022

Дата обновления: 4/8/2024



No.	Part name	Qty	Unit Price	No.	Part name	Qty	Unit Price	No.	Part name	Qty	Unit Price	No.	Part name	Qty	Unit Price
1	Screw	4		12	Housing	1		23	Spring Washer	8		34	Valve Stem	1	
2	Front Housing	1		13	Front Bearing Cover	1		24	Screw	4		35	Spring	1	
3	Anvil Sleeve	1		14	Front Cover	1		25	Valve Sleeve	1		36	Exhaust Cap	1	
4	Circlip	1		15	Cylinder Pin	1		26	Sealed Cover	2		37	O-Ring	1	
5	O-Ring	1		16	Cylinder	1		27	O-Ring	1		38	Air Inlet	1	
6	Anvil	1		17	Rotor	1		28	Switch Core	1		39	Pin	1	
7	Hammer Pin	2		18	Rotor Blade	6		29	Rotary Controller	1		40	Trigger	1	
8	Hammer	2		19	Rear Bearing Cover	1		30	Spring	1		41	Connector	1	
9	Hammer Cage	1		20	Bearing	1		31	Spring	1					
10	Retainer Ring	1		21	Rear Sealing	1		32	Steel Ball	1					
11	Front Sealing	1		22	Rear Cover	1		33	Valve Seat	1					

ALL FOR UNIT PRICE, NEED TIMES QTY.

NOTE: ORDER ANVIL WILL HAVE NO.4/5/6

2/3 Front housing set(bushing need to heated then intall into front housing)