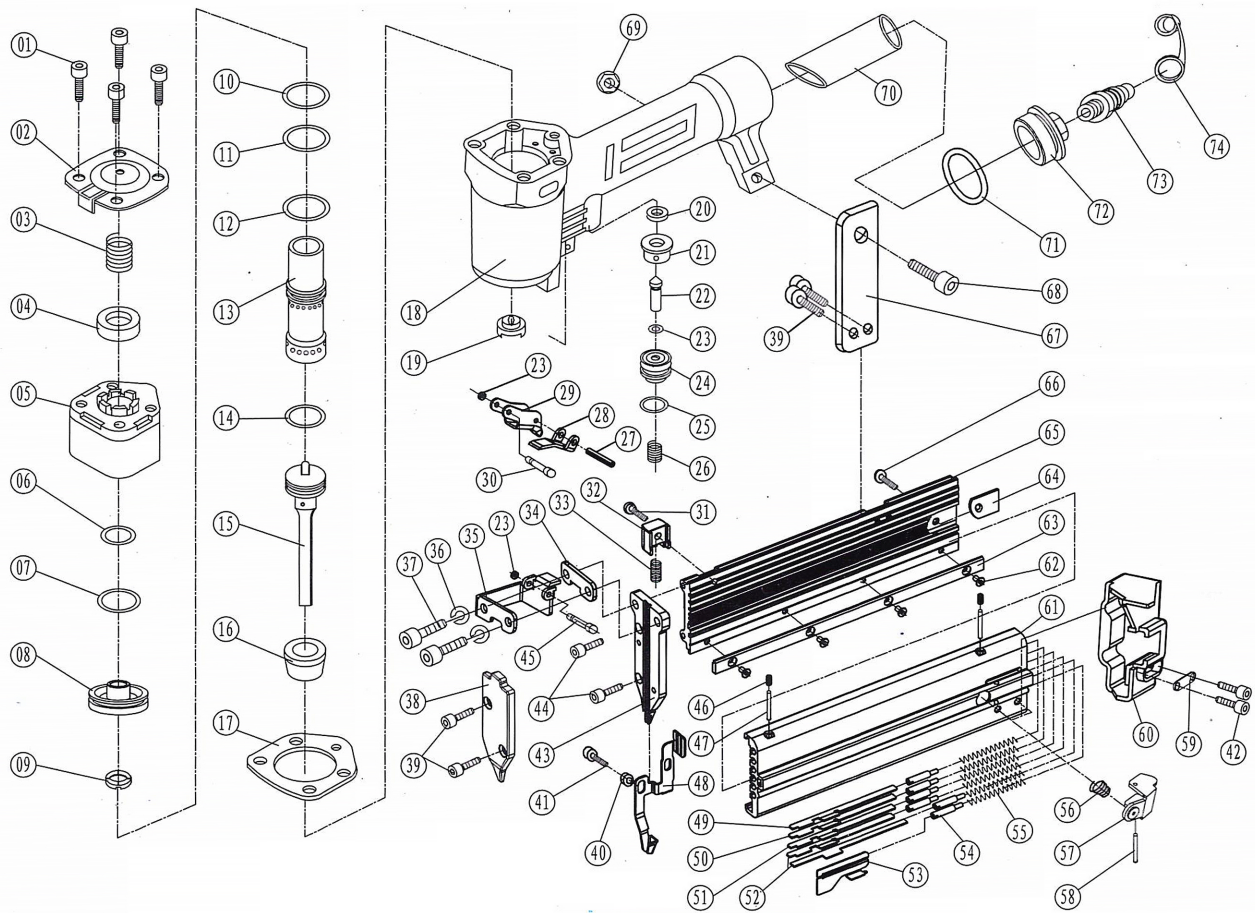


ДЕТАЛИРОВКА ДЛЯ FROSP F640



No.	Description	Qty.	No.	Description	Qty.	No.	Description	Qty.	No.	Description	Qty.
01	Bolt M5×50	4	21	Trigger valve seat	1	41	Bolt M3×8	1	61	Movable Magazine	1
02	Exhaust Cap	1	22	Trigger Valve pole	1	42	Bolt M4×8	2	62	Bolt M3×6	4
03	Compressed Spring	1	23	O-ring 1.7X2	3	43	Driver Guide	1	63	Nail Guide strip	1
04	Rectangle Washer 16*8*2.6	1	24	Trigger Valve case	1	44	Bolt M4x12	2	64	Locating block	1
05	Cylinder Cover	1	25	O-ring 11.2×2	1	45	Pin	1	65	Fixed Magazine	1
06	O-ring 11.7×2.4	1	26	Compressed Spring	1	46	Bolt M4×4	2	66	Bolt M4×5	1
07	O-ring 26.2×2.4	1	27	Pin	1	47	Pin	2	67	Fixed seat	1
08	Head Valve Piston	1	28	Safety catch	1	48	Driver Guide assembly	1	68	Bolt M4×20	1
09	Bumper Washer	1	29	Trigger	1	49	Pusher D	1	69	Nut M4	1
10	O-ring 21.3*3	1	30	Pin	1	50	Pusher C	1	70	Handle Sheath	1
11	O-ring 29.2x3.55	1	31	Bolt M4×10	1	51	Pusher B	1	71	O-ring 35.5*2.3	1
12	O-ring 20.3x2.3	1	32	Spring seat	1	52	Pusher A	2	72	End Cap	1
13	Cylinder II	1	33	Compressed Spring	1	53	Pusher	1	73	Air Plug	1
14	O-ring 18*2.65	1	34	Driver Guide Cover	1	54	Guide Pipe	6	74	Air Plug Case	1
15	Main Piston	1	35	Locating frame	1	55	Pusher Spring	6			
16	Bumper	1	36	Spring Washer 5	2	56	Compressed spring	1			
17	Sealing washer	1	37	Bolt M5×22	2	57	Latch	1			
18	Gun Body	1	38	Movable cover	1	58	Pin	1			
19	Rubber Washer	1	39	Bolt M4×6	4	59	Spacer	1			
20	Rectangle Washer	1	40	Guide case	1	60	Locating seat	1			