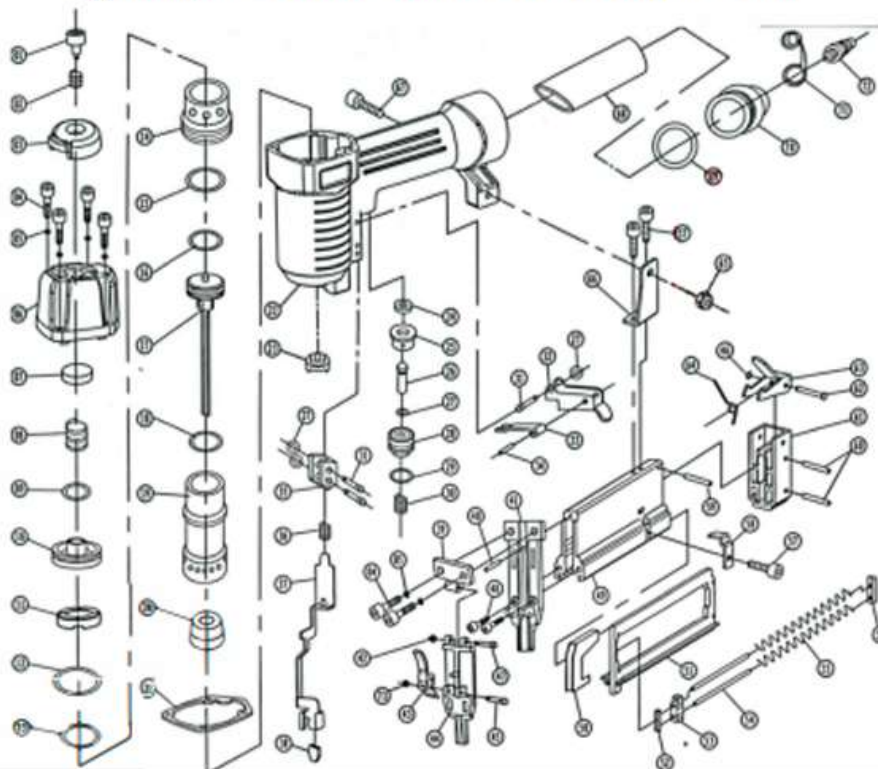


Деталировка и лист запасных частей FROSP F9140



| No. | Description | No. | Description | No. | Description |
|-----|-------------------------------------|-----|---------------------------|-----|-----------------------------|
| 1 | Screws | 25 | Valve seat | 49 | Fixed magazine |
| 2 | Reversing pressure spring | 26 | Valve stem | 50 | At the end |
| 3 | Air commutator | 27 | ●-ring 1.7*2 | 51 | Guide pin holder assembly |
| 4 | Screw M5*20 | 28 | Valve bush | 52 | Locator piece I |
| 5 | Spring washer 5 | 29 | O-ring 11.2*2 | 53 | Guide block |
| 6 | Cylinder head | 30 | Lever compression spring | 54 | Guide bar |
| 7 | Seal washer | 31 | Axle pin | 55 | Head compression spring |
| 8 | Balancing valve pressure spring | 32 | trigger | 56 | Spacer II |
| 9 | O-ring 13.7*2.4 | 33 | Safety damper | 57 | Screw M4 x 7 |
| 10 | Balance valve | 34 | Pin 2.5*16 | 58 | Stop plate |
| 11 | Cushion gasket | 35 | Slide rack | 59 | Pin 3*18 |
| 12 | O-ring 31.2*2.5 | 36 | Ejector spring | 60 | Pin 3*22 |
| 13 | O-ring 24.8*3.5 | 37 | Safety frame assembly | 61 | Locating seat |
| 14 | Tightening ring | 38 | Safety muzzle | 62 | Axle pin |
| 15 | O-ring 41.7*3 | 39 | septum | 63 | Shank of hook |
| 16 | O-ring 21.3*3 | 40 | Pin 2*10 | 64 | Torsional spring |
| 17 | Piston assembly | 41 | nailhead | 65 | Nut M4 |
| 18 | O-ring 26.2*2.4 | 42 | Pin bush | 66 | Fixed seat |
| 19 | Air cylinder | 43 | Tensioning lever assembly | 67 | Screw M4 x 14 |
| 20 | cushion | 44 | Cover plate | 68 | Gun handle sheath |
| 21 | Sealing gasket | 45 | Limit pin black | 69 | O-ring 36.3*3.55 |
| 22 | Gun body | 46 | Open stop ring 2.5 | 70 | End cover |
| 23 | Rubber mat | 47 | Cover pin | 71 | Connector protective sleeve |
| 24 | Rectangular sealing ring 12.9*7*1.8 | 48 | Screw M4 x 15 | 72 | Pipe joint |
| | | | | 73 | O-ring 1.9*1.2 |

Модель: F 9140 Версия от: 2019.07.18 Деталировка обновлена: 2024.04.08