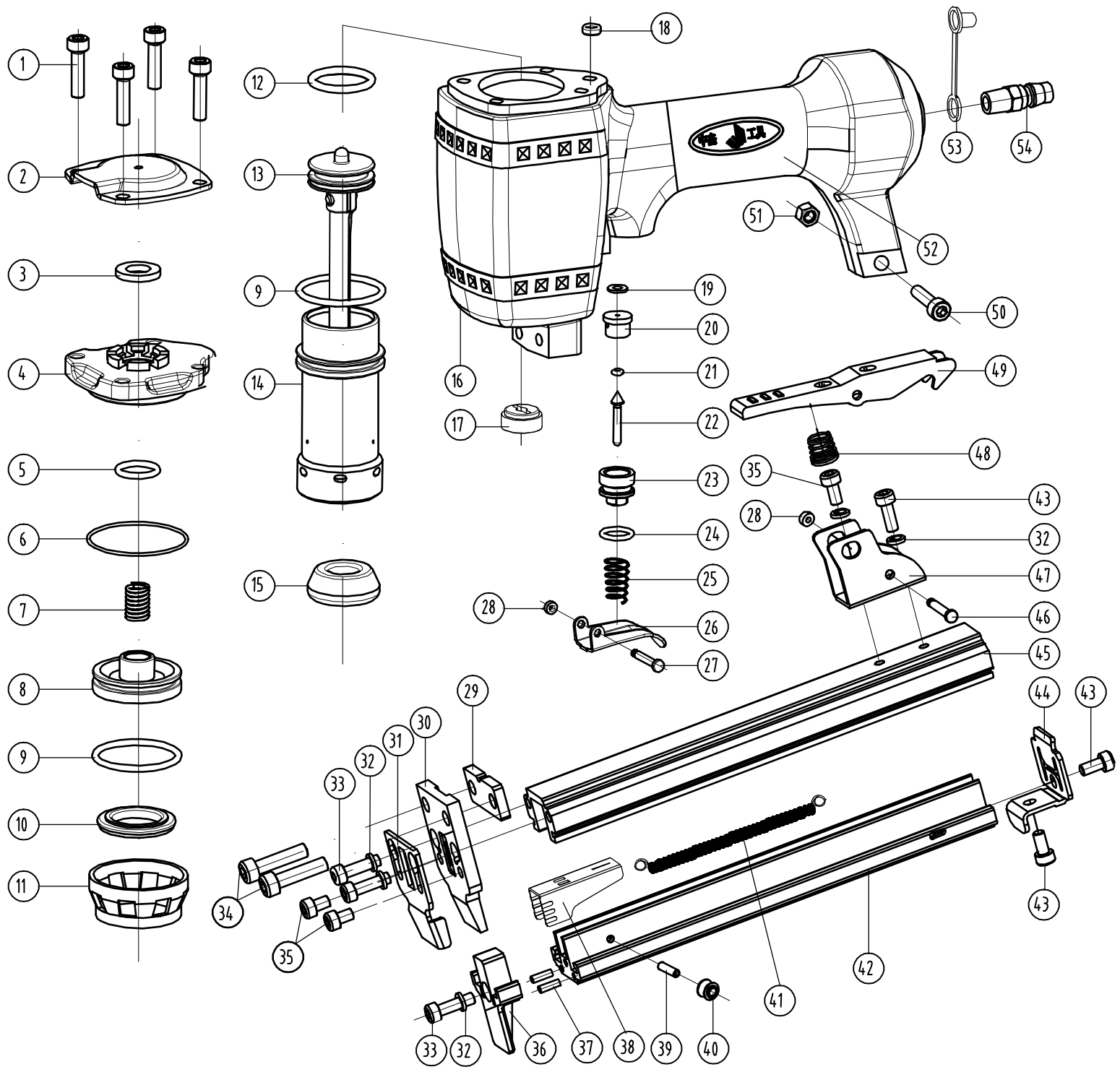


Пневматический скобозабивной инструмент FROSP F1013C

ДЕТАЛИРОВКА



ЛИСТ ЗАПАСНЫХ ЧАСТЕЙ

No.	Part name	No.	Part name
1	female hexagonal screw m5x20	28	rectangular seal ring 5x2
2	exhaust cover	29	baffle plate
3	rectangular seal ring 16x7.5x2.2	30	gun cover
4	cylinder cover	31	regulating plate
5	o-ring 16.7x2.5	32	gasket 4
6	o-ring 35x1	33	female hexagonal screw m4x14
7	spring	34	female hexagonal screw m5x20
8	balance valve	35	female hexagonal screw m4x6
9	o-ring 31.2x2.5	36	gun head
10	flat washer	37	cylindrical pin 2.5x8
11	shrink ring	38	head block
12	o-ring 23.3x3	39	cylindrical pin 2.5x9.2
13	piston assembly	40	round screw
14	cylinder	41	stretch spring
15	cushion	42	moving clip
16	shell	43	female hexagonal screw m4x8
17	flat washer	44	fixed position base
18	rectangular seal ring 7.5x3	45	fixed clip
19	rectangular seal ring 12x7x1.8	46	ppin roll 3x20
20	valve stand	47	fixed block
21	o-ring 5x1.9	48	spring
22	valve stem	49	fixed hook
23	mousing	50	female hexagonal screw m5x20
24	o-ring 14x1.9	51	nut m5
25	spring	52	rubber handle grip
26	trigger	53	plastic anti-dust cover
27	pin roll 3x18.5	54	coupler