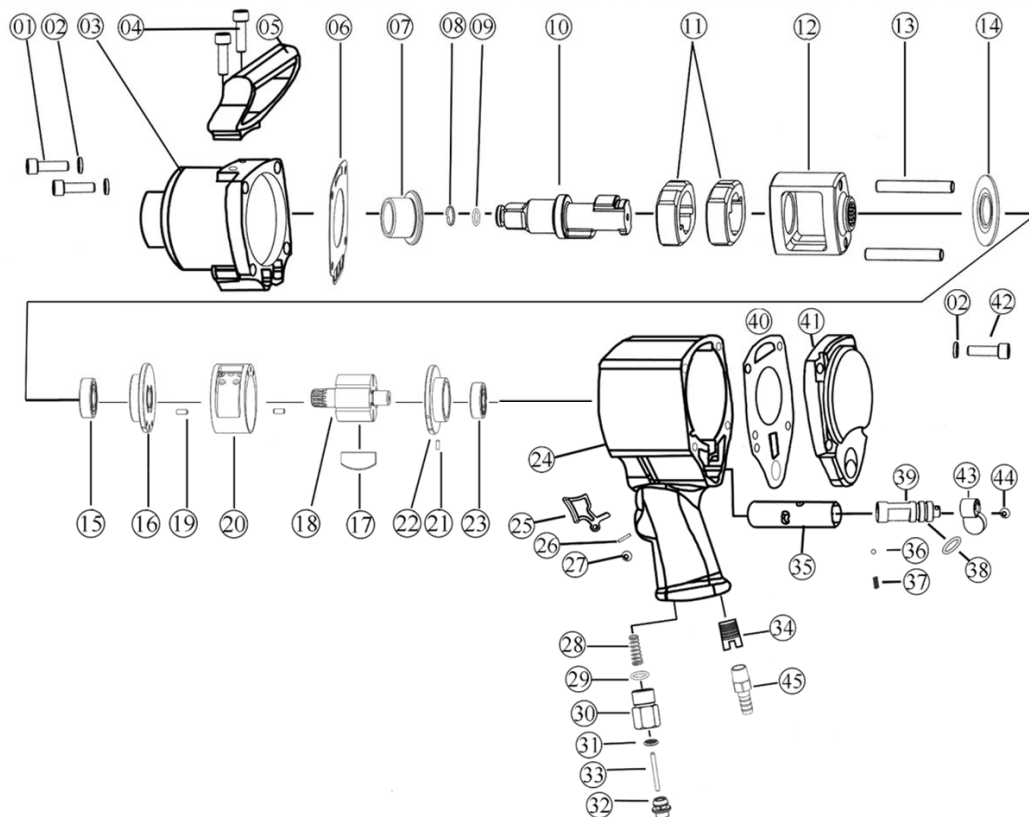


ДЕТАЛИРОВКА И ЛИСТ ЗАПАСНЫХ ЧАСТЕЙ К ПНЕВМОГАЙКОВЕРТУ FROSP ПГ-3240

Version: 9/12/2022

Дата обновления: 4/8/2024



No.	Part name	Qty	Purchase QTY	No.	Part name	Qty	Purchase QTY	No.	Part name	Qty	Purchase QTY	No.	Part name	Qty	Purchase QTY
1	Screw	4		13	Hammer Pin	2		25	Trigger	1		37	Spring	1	
2	Spring Washer	8		14	Spacer	1		26	Split Pin	1		38	O-Ring	1	
3	Front Housing	1		15	Bearing	1		27	Set Screw	1		39	Switch Core	1	
4	Screw	2		16	Front Bearing Cover	1		28	Air Inlet Spring	1		40	Rear Sealing	1	
5	D-Handle	1		17	Rotor Blade	6		29	O-Ring	1		41	Rear Cover	1	
6	Front Sealing	1		18	Rotor	1		30	Air Inlet	1		42	Screw	4	
7	Anvil Bushing	1		19	Split Pin	2		31	Air Inlet Screen	1		43	Reverse Switch	1	
8	Circlip	1		20	Cylinder	1		32	Air Valve	1		44	Screw	1	
9	O Ring	1		21	Split Pin	1		33	Pin	1		45	Connector	1	
10	Anvil	1		22	Rear Bearing Cover	1		34	Set Screw	1					
11	Hammer	2		23	Bearing	1		35	Bushing	1					
12	Hammer Cage	1		24	Housing	1		36	Steel Ball	1					

ALL FOR UNIT PRICE, NEED TIMES QTY.