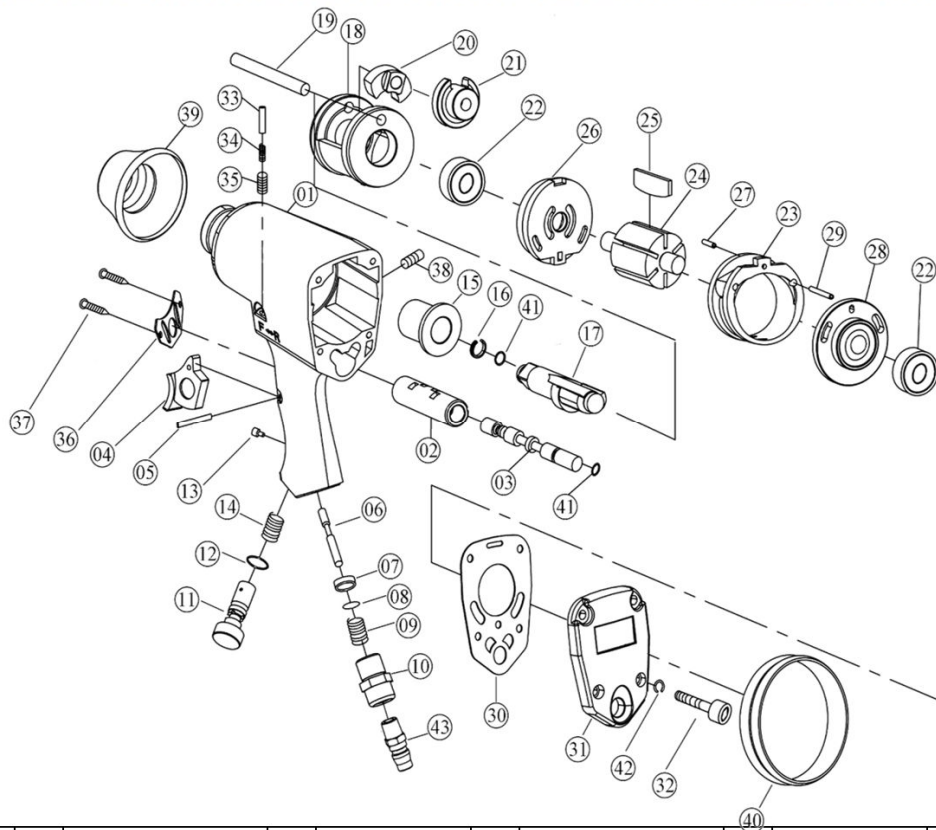


ДЕТАЛИРОВКА И ЛИСТ ЗАПАСНЫХ ЧАСТЕЙ К ПНЕВМОГАЙКОВЕРТУ FROSP ПГ-114

Версия от: 8/20/2022

Деталировка обновлена: 4/8/2024



No.	Part name	Qty	Unit Price	No.	Part name	Qty	Unit Price	No.	Part name	Qty	Unit Price	No.	Part name	Qty	Unit Price
1	Housing	1		12	O-Ring	1		23	Cylinder	1		34	Spring	1	
2	Valve Sleeve	1		13	Set Screw	1		24	Rotor	6		35	Set Screw	1	
3	Reverse Valve	1		14	Spring	1		25	Rotor Blade	1		36	Exhaust Deflector	1	
4	Trigger	1		15	Anvil Bushing	1		26	Front End Plate	1		37	Tapping Screw	2	
5	Spring Pin	1		16	Circlip	1		27	Front Dowel Pin	1		38	Plug	1	
6	Valve Stem	1		17	Anvil	1		28	Rear End Plate	1		39	Protect Cover	1	
7	Valve Seal	1		18	Hammer Cage	1		29	Rear Dowel Pin	1		40	Protect Ring	1	
8	Valve Ball	1		19	Hammer Pin	1		30	Rear Gasket	1		41	O-Ring	2	
9	Spring	1		20	Hammer	1		31	Back Cover	1		42	Spring Washer	1	
10	Air Inlet	1		21	Drive Cam	1		32	Cap Screw	4		43	Connector	1	
11	Air Regulator	1		22	Ball Bearing	2		33	Stop Pin	1					

ALL FOR UNIT PRICE, NEED TIMES QTY.

NOTE: 16/17/41 ANVIL= ¥8.8