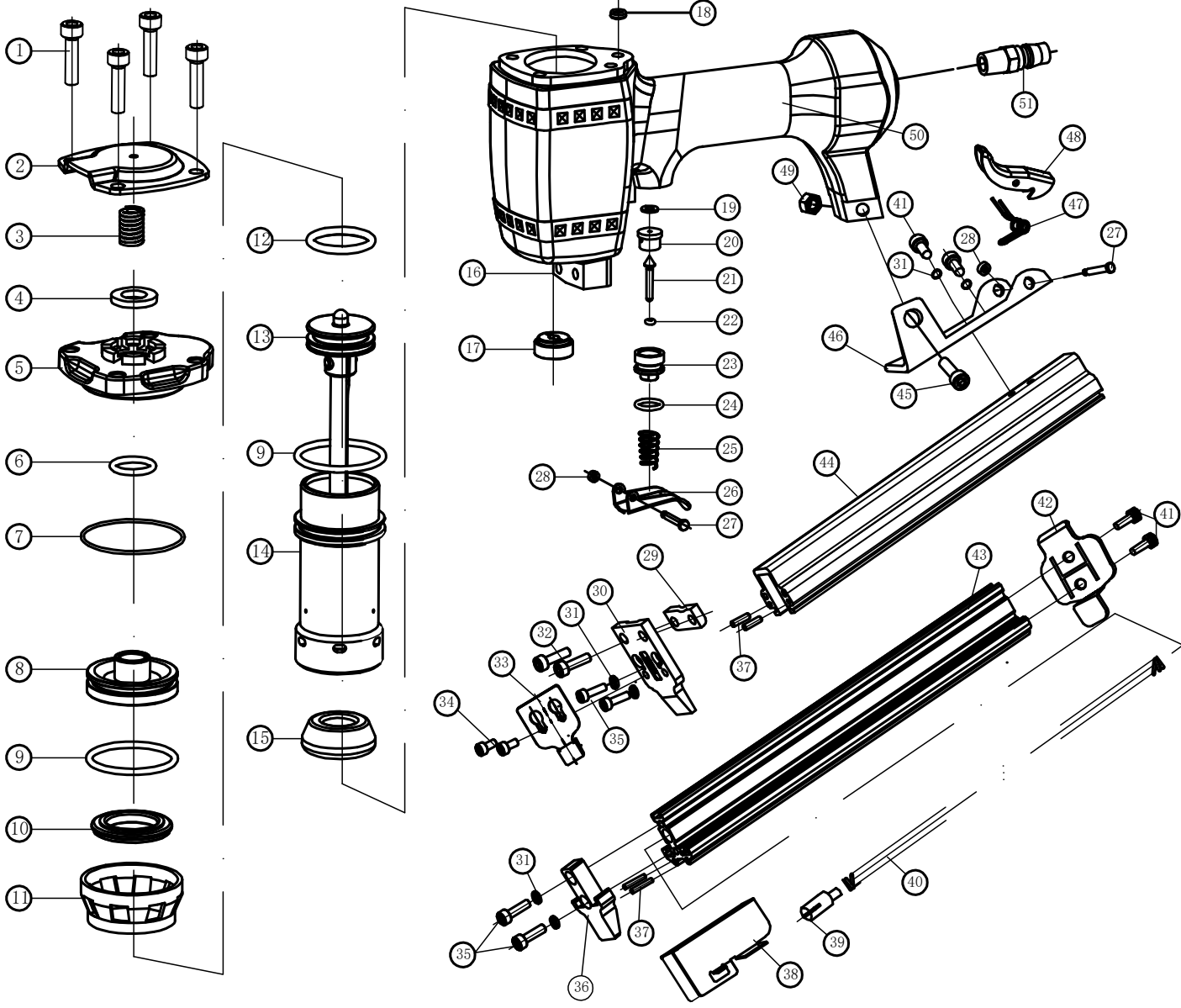


Пневматический скобозабивной инструмент FROSP F1022C

Детализировка и лист запасных частей



NO.	PART NAME	NO.	PART NAME
1	Female hexagonal screwM5x20	27	Pin roll ϕ 3x18.5
2	Exhaust cover	28	Rectangular seal ring ϕ 5x2
3	Spring	29	Baffle plate
4	Rectangular seal ring ϕ 18x10x2.6	30	Gun cover
5	Cylinder cover	31	Gasket 4
6	O-ring ϕ 18.4x2.4	32	Female hexagonal screwM5x20
7	O-ring ϕ 41x1.2	33	Regulating plate
8	Balance valve	34	Female hexagonal screwM4x6
9	O-ring ϕ 36.3x2.5	35	Female hexagonal screwM4x14
10	Valve's gasket	36	Gun head
11	Straining ring	37	Cylindrical pin ϕ 2.5x8
12	O-ring ϕ 27.3x3	38	Head block
13	Piston assembly	39	Spring stand
14	Cylinder	40	Spring
15	Cushion	41	Female hexagonal screwM4x10
16	Shell	42	Fixed position base
17	Flat washer	43	Moving clip
18	Rectangular seal ring ϕ 7.5x3	44	Fixed clip
19	Rectangular seal ring ϕ 12x7x1.8	45	Female hexagonal screwM5x18
20	Valve stand	46	Fixed base
21	Valve stem	47	Spring
22	O-ring ϕ 5x1.9	48	Fixed hook
23	Housing	49	Nut M5
24	O-ring ϕ 14x1.9	50	Rubber cover
25	Spring	51	Pipe joint
26	Trigger	52	