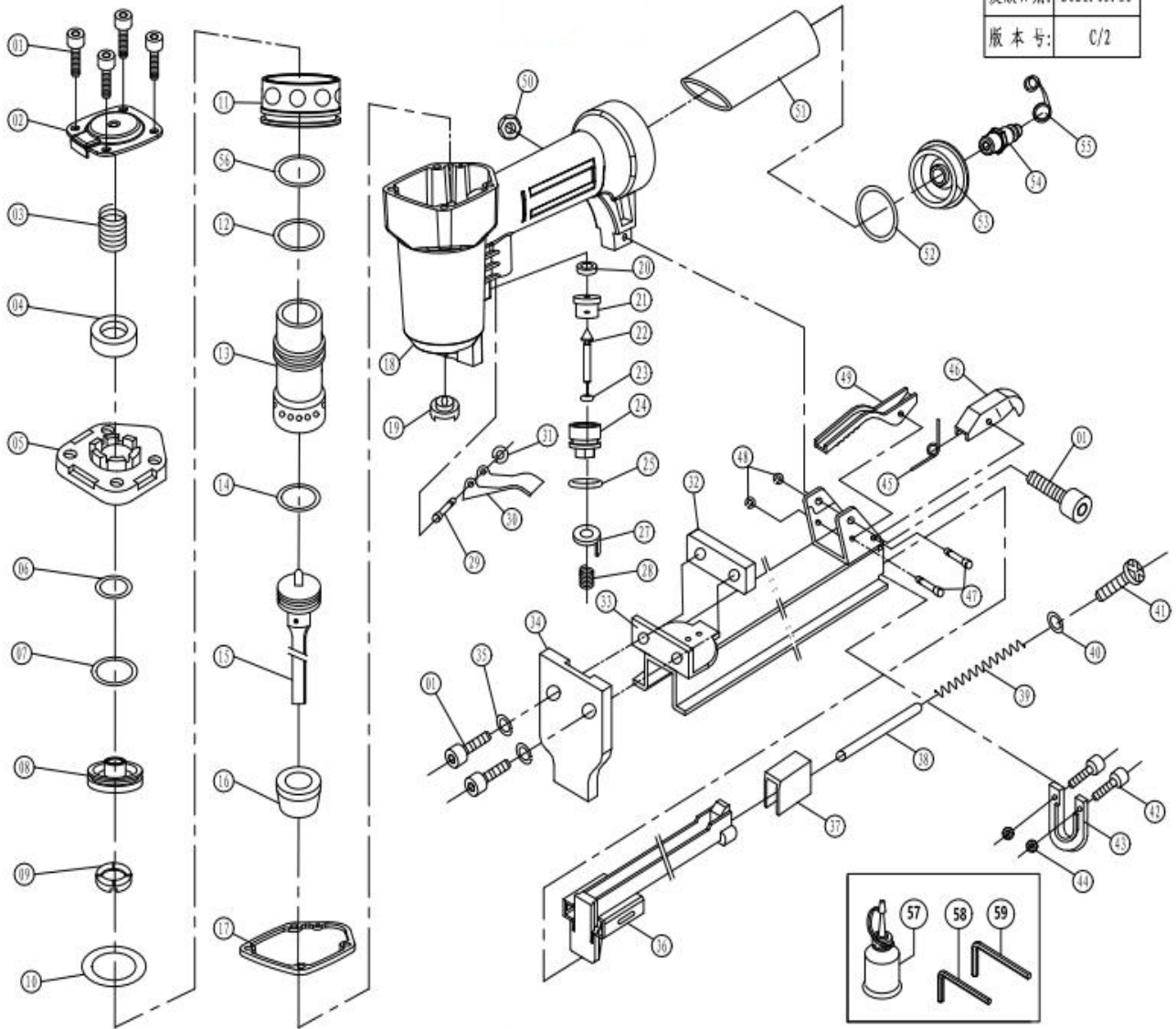


Деталировка и лист запасных частей FROSP 8016

发布日期:	2021.05.18
版本号:	C/2



No	Description	No	Description	No	Description	
1	Bolt M5×20	21	valve seat			
2	Exhaust Cap	22	Valve Pipe	42	Screw M4*4	
3	Compressed Spring	23	O-ring 1.7*2	43	Screw M4 x 8	
4	Washer Rectangle 16*6*2.6	24	valve bushing	44	Magazine assembly	
5	Cylinder Cover	25	O-ring 11.2*2		Guide pin holder fixing plate	
6	O-ring 11.7*2.4	26	/		Nut M4	
7	O-ring 26.2*2.4	27	Safety catch		spring	
8	Head Valve Piston	28	Lever compression spring		Shank of hook pin	
9	Buffer Washer	29	Axle pin	49	Open ring 2.5	
10	O-ring 21.3*3	30	lever		Lever handle	
11	Collar	31	Open stop ring 2.5		Nut M5	
12	O-ring 30.2*2.65	32	Backing plate		Gun handle sheath	
13	Cylinder	33	Guide pin slot assembly		O-ring 35.5*2.3	
14	O-ring 18*2.65	34	nailhead	54	End cover	
15	Main piston	35	Spring washer	55	Pipe joint	
16	Bumper	36	Magazine assembly	56	Protective sleeve for pipe fittings	
17	Sealing washer	37		Guide pin holder assembly	57	O-ring 20*1.8
18	Gun body	38		Head assembly	58	oilier
					Hex key M4/3MM	