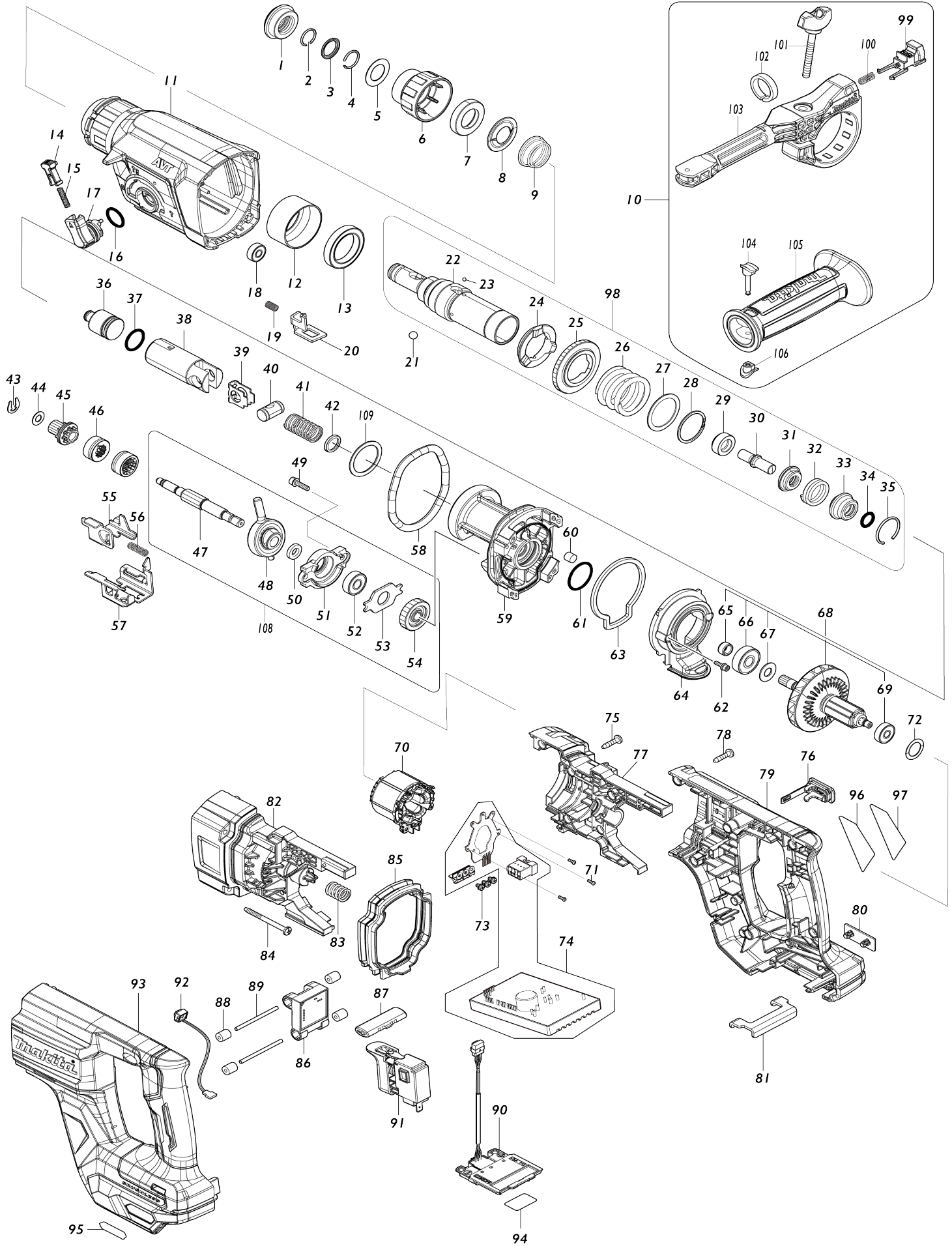


Model No.HR007G 28MM CORDLESS ROTARY HAMMER



Model No.HR007G 28MM CORDLESS ROTARY HAMMER

Item No.	Parts No.	Description	Interchangability	Q'ty	New/Old	Note1	Note2
001	286288-8	CAP 35		1			
002	233989-9	RING SPRING 14		1			
003	346834-0	WASHER 16		1			
004	233992-0	RING SPRING 15		1			
005	267114-0	FLAT WASHER 17		1			
006	455393-4	CHUCK COVER		1			
007	325813-1	RING 21		1			
008	346177-0	GUIDE WASHER		1			
009	233916-6	CONICAL COMP. SPRING 21-29		1			
010	122A94-2	GRIP ASSEMBLY		1			
D10		INC. 99-106					
011	140D00-3	GEAR HOUSING COMPLETE		1			
C10	213636-8	OIL SEAL 25		1			
012	331890-3	CUP SLEEVE		1			
013	211294-4	BALL BEARING 6806LLU		1			
014	457709-9	LOCK BUTTON		1			
015	234264-6	COMPRESSION SPRING 3		1			
016	213278-8	O RING 17		1			
017	161656-5	CHANGE LEVER COMPLETE		1			
018	210028-2	BALL BEARING 606ZZ		1			
019	233360-7	COMPRESSION SPRING 4		1			
020	347228-2	LOCK PLATE		1			
021	216022-2	STEEL BALL 7.0		2			
022	142972-4	TOOL HOLDER COMPLETE		1			
C10	213344-1	OIL SEAL 9		1			
023	216019-1	STEEL BALL 3		4			
024	332139-4	DRIVING FLANGE		1			
025	227360-7	SPUR GEAR 51		1			
026	234148-8	COMPRESSION SPRING 31		1			
027	267153-0	FLAT WASHER 30		1			
028	257932-4	SPIRO LOCK WASHER 30		1			
029	325783-4	SLEEVE 9B		1			
030	325789-2	IMPACT BOLT A		1			
031	325792-3	WASHER 10		1			
032	234149-6	COMPRESSION SPRING 20		1			
033	325793-1	O-RING CASE B		1			
034	213073-6	O RING 9		1			
035	233979-2	RING SPRING 28		1			
036	327890-9	STRIKER		1			
037	213258-4	O RING 17.5		1			
038	327079-9	PISTON CYLINDER		1			
039	346036-8	GUIDE PLATE		1			
040	324215-8	PISTON JOINT		1			
041	232752-7	COMPRESSION SPRING 14		1			
042	253569-5	CUP WAHSER 14		1			
043	257336-0	STOP RING EXT U-6		1			
044	253186-1	FLAT WASHER 7		1			

045	227359-2	SPUR GEAR 10		1		
046	310678-4	CLUTCH CAM		2		
047	327889-4	CAM SHAFT		1		
048	219030-2	SWASH BEARING 10		1		
049	266437-3	HEX. SOCKET HEAD BOLT M4X16		2		
050	257321-3	RING 8		1		
051	310344-3	BEARING BOX		1		
052	211032-4	BALL BEARING 608ZZ		1		
053	285735-6	BEARING RETAINER		1		
054	227719-8	HELICAL GEAR 26		1		
055	347230-5	CHANGE PLATE B		1		
056	234343-0	COMPRESSION SPRING 5		1		
057	347882-2	CHANGE PLATE A		1		
058	213728-3	O-RING 68		1		
059	141F42-2	INNER HOUSING COMPLETE		1		
C10	213678-2	OIL SEAL 12		1		
060	443153-6	FELT		1		
061	213407-3	O RING 26		1		
062	251568-1	H.S.H.BOLT M3X12 WITH WR		2		
063	422780-2	SPONGE SHEET		1		
064	413A23-9	AIR DUCT		1		
065	262207-8	SLEEVE 9		1		
066	210042-8	BALL BEARING 629LLB		1		
067	253733-8	FLAT WASHER 9		1		
068	519715-3	ROTOR ASS'Y		1		
D10		INC. 65-67,69				
069	210022-4	BALL BEARING 626DDW		1		
070	629A89-1	STATOR		1		
071	266490-9	TAPPING SCREW PT 2X6		3		
072	267804-5	WAVE WASHER 15		1		
073	652069-6	FLAT HEAD SCREW M3X6		3		
074	620G33-7	CONTROLLER		1		
075	266326-2	TAPPING SCREW 4X18		5		
076	140G30-2	CAP COMPLETE		1		
C10	213A05-9	O-RING16		1		
077	183U22-2	MOTOR HOUSING SET		1		
D10		INC. 82				
078	266326-2	TAPPING SCREW 4X18		7		
079	183U19-1	HANDLE SET		1		
C10	263005-3	RUBBER PIN 6		2		
D10		INC. 93				
080	459753-2	CAP		1		
081	347885-6	SUPPORT PLATE		1		
082	183U22-2	MOTOR HOUSING SET		1		
D10		INC. 77				
083	232436-7	COMPRESSION SPRING 10		1		
084	266091-3	TAPPING SCREW 4X50		4		
085	422779-7	BELLOWS		1		
086	620G35-3	ACCELEROMETER CIRCUIT		1		
087	453124-5	F/R CHANGE LEVER		1		
088	422472-3	SPONGE SLEEVE 3		4		
089	256886-2	ROD 3		2		

090	632R98-3	TERMINAL UNIT		1		
091	651439-6	SWITCH C3JR-4B-2		1		
092	620G34-5	LED CIRCUIT		1		
093	183U19-1	HANDLE SET		1		
C10	263005-3	RUBBER PIN 6		2		
D10		INC, 79				
094	8113R6-5	HR007G SERIAL NO. LABEL		1		
095	8012U4-2	XGT LOGO LABEL		1		
096	8113P9-5	HR007G NAME PLATE		1		
097	8043W5-9	CLEAR LABEL		1	*	
098	135966-6	TOOL HOLDER ASSY		1		
D10		INC. 22-35				
099	144959-2	LOCK BUTTON COMPLETE		1		
100	233360-7	COMPRESSION SPRING 4		1		
101	265625-9	THUMB SCREW M6X50		1		
102	422258-5	SPONGE SHEET		1		
103	413A49-1	SIDE HANDLE BASE		1		
C10	931302-2	HEX. NUT M6		1		
104	161838-9	FIX PIN		1		
105	458357-7	GRIP 36		1		
106	422255-1	CAP		1		
108	136584-3	CAM SHAFT ASS'Y		1		
D10		INC. 47,48,50-54				
109	267153-0	FLAT WASHER 30		1		
A01	198993-4	GREASE VESSEL SET		1		
A02	331886-4	DEPTH GAUGE		1		
A03	413A50-6	AIR DUCT CAP		1		
A04	443122-7	CLOTH		1		
B01	199233-3	HAMMER SERVICE KIT		1		
C10	195127-0	OIL VESSEL SET		2		
D10		INC. 1,2,4,21,34,35,37				
F03	191W90-3	HOOK SET		1		
F06	191X40-4	DX15DUST COLLECTION SYSTEM SET		1	*	
F06-1	191X39-9	DX15DUST COLLECTION SYSTEM SET	<	1		
F20	199557-7	FILTER SET		1		

Please state Parts No. when your order.

Print Date 10/26/2023