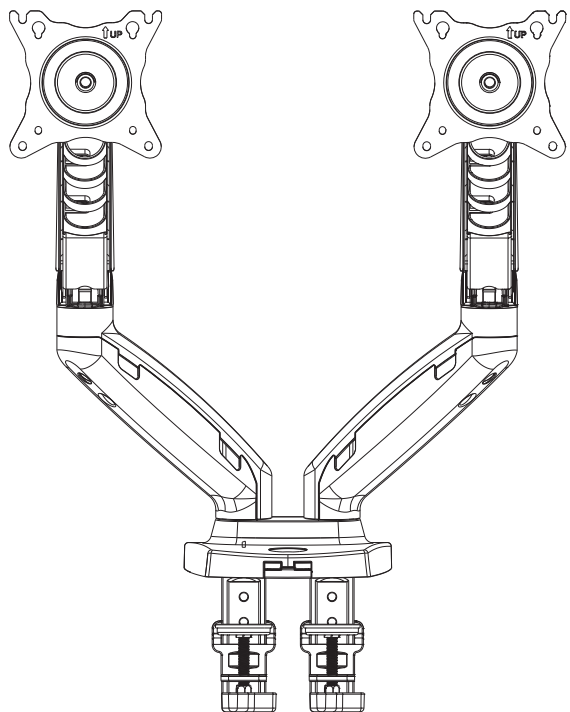




Flexi Full Motion Desk Mount Installation Manual



F160

Flexi Full Motion Desk Mount
 Fits Most Displays Size : 17"~27"
 Max Load : 4.4~19.8lbs (2~9kg)Each
 VESA : 75x75,100x100mm



Severe personal injury and property damage can result from improper installation or assembly. Read the following warning carefully before beginning.

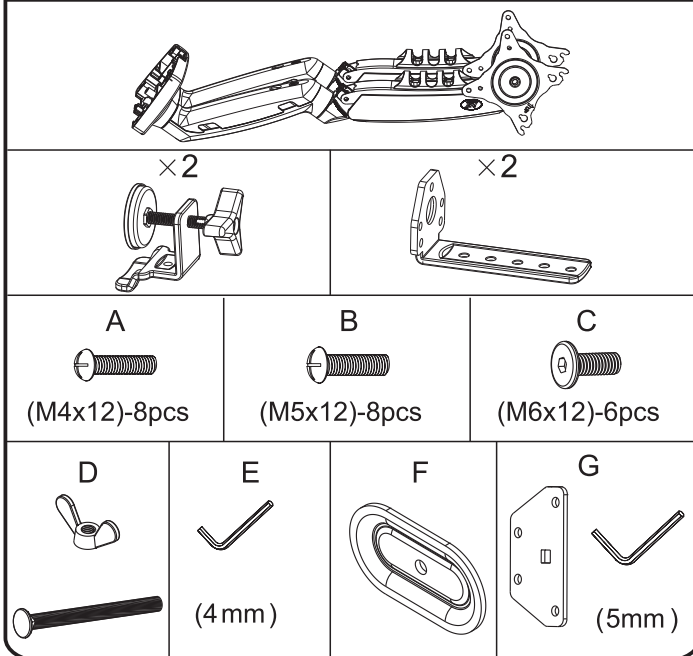
- Products must be installed by professional or installer.
- If you do not understand the instructions or have any concerns or questions, please contact a qualified local installer.
- Do not install or assemble if the product or hardware is damaged or missing, if you require replacement parts, please contact your local distributor for assistance.
- This product fits most 17"-27" LCD / monitor; maximum weight of LCD / monitor: 9kg / 19.8lbs.
- Installer-friendly and straight forward.
- For safe installation, the desk you are mounting to must support minimum 3 times the weight of the total load (the mount, the monitor and all accessories weight).
- Do not use this product for other than the original designed.
- This product contain moving parts, please use with caution.
- When installing monitor, please do not damage electrical wiring or power source.
- Installation and routing of monitor cables on the monitor bracket must comply with electro-technical regulations.
- Importantly, mains- and data-cables must be secured against twisting and squeezing or shearing.
- The manufacturer will bear no responsibility to the desk of mounting, or incidental or consequential damages arising thereof.
- The manufacturer disclaims any liability for the modifications, improper installation, or installation over the specified weight range. The manufacturer will not be liable for any damages arising out of the use of, or inability to use, the product.
- This product is designed for indoor used only, use of this product outdoor could lead to product failer and severe personal injury.
- ▲ This product contains a high pressure gas spring, fire and percussion prohibited. Also it is strictly prohibited to dismantle without professionals. Please return to the manufacturer or hand over to professional agencies if the product is abandoned. In order to ensure the performance of gas spring, full direction adjustment of the product arm is recommended several times per month.
- ▲ All images are for reference only. As product in kind prevail.

We reserve the right to modify or alter instructions. No modification or alteration without formal notice.

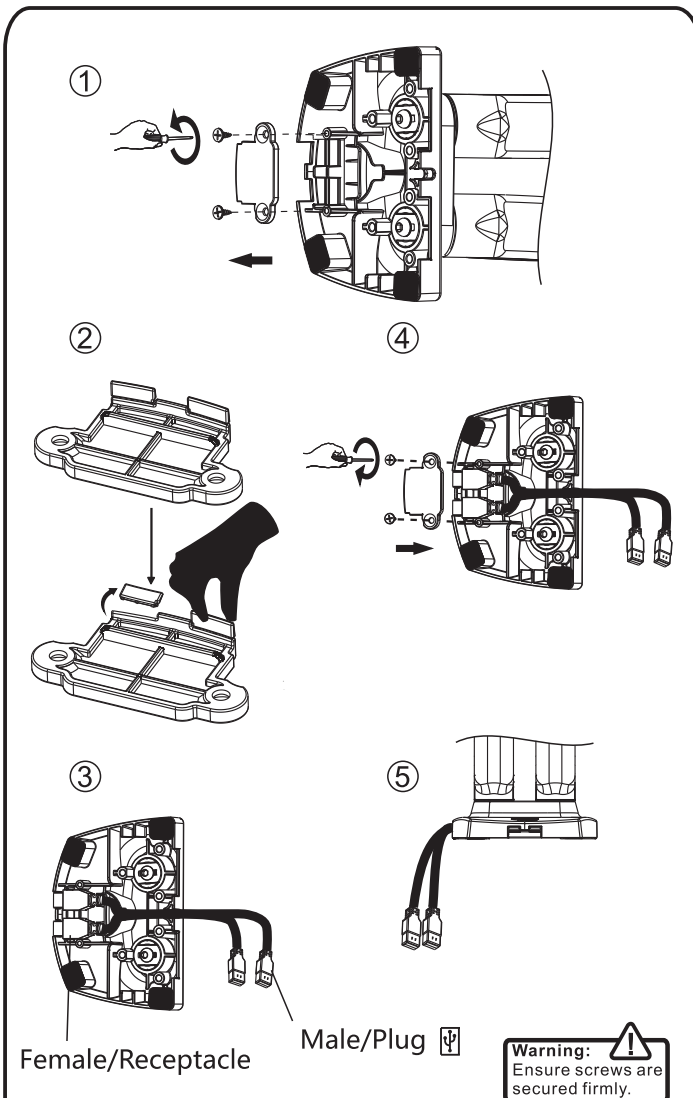
F160

Table Edge Installation or Grommet Installation.

Part list

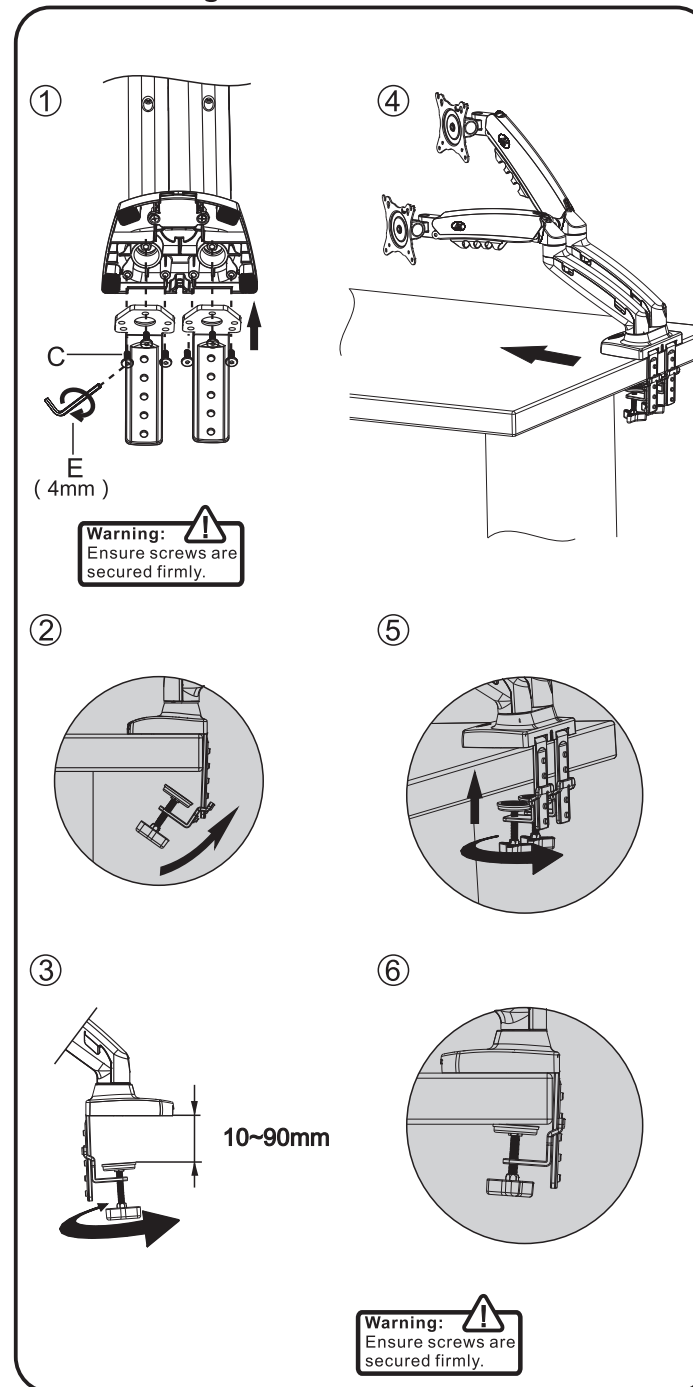


A. USB Lines Installation: (Not supplied)

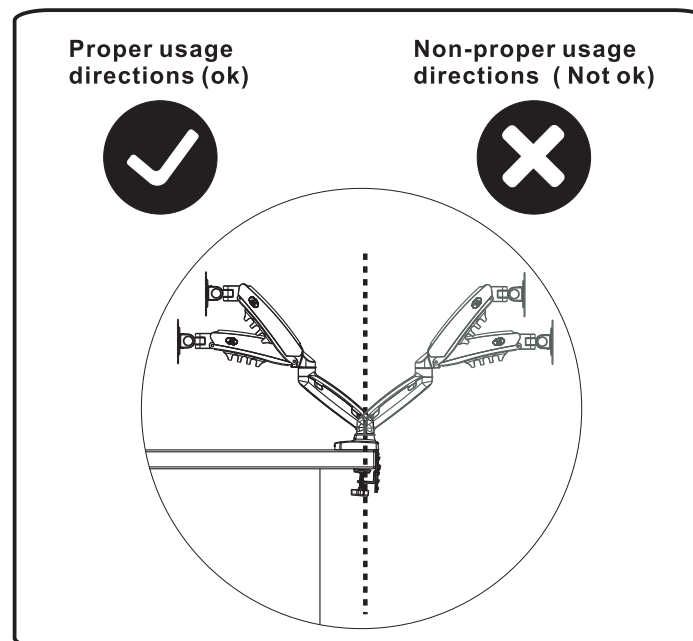


Notes : Please instal " Female/Receptacle " at base &,"Male/Plug" to PC .

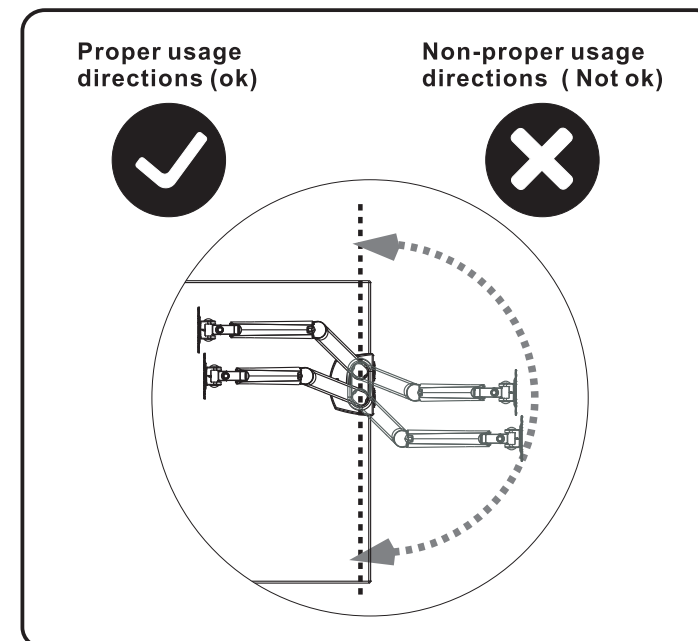
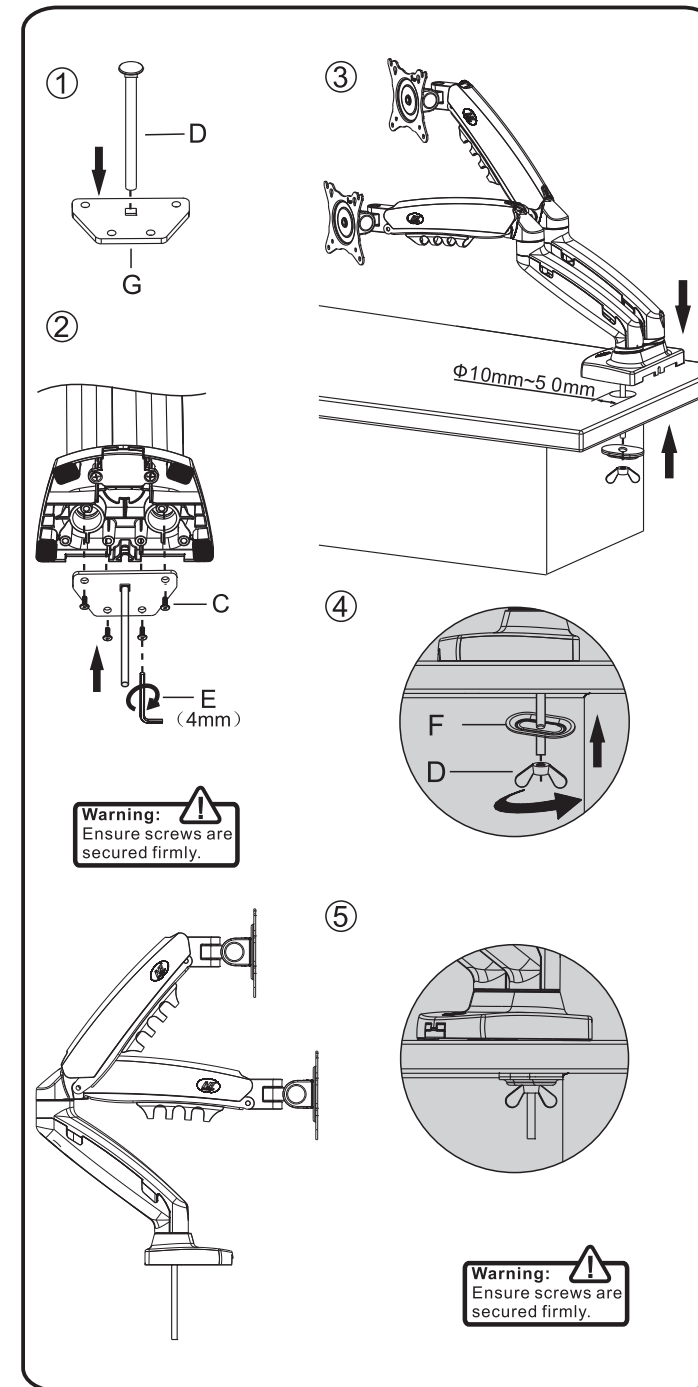
B1. Table Edge Installation:



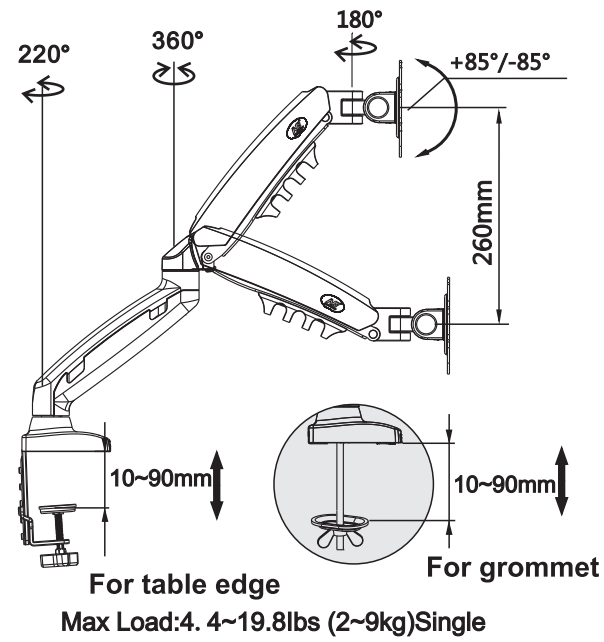
C. Directional Usage Guide:



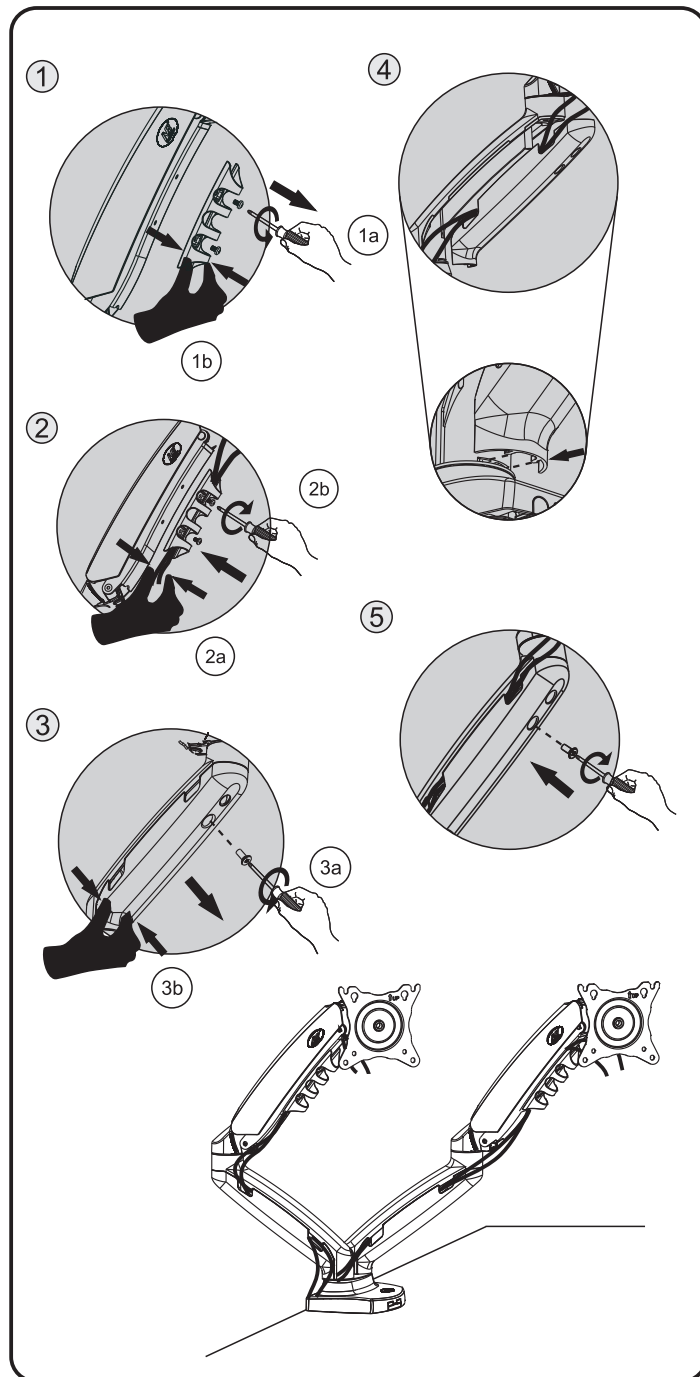
B2. Grommet Installation:



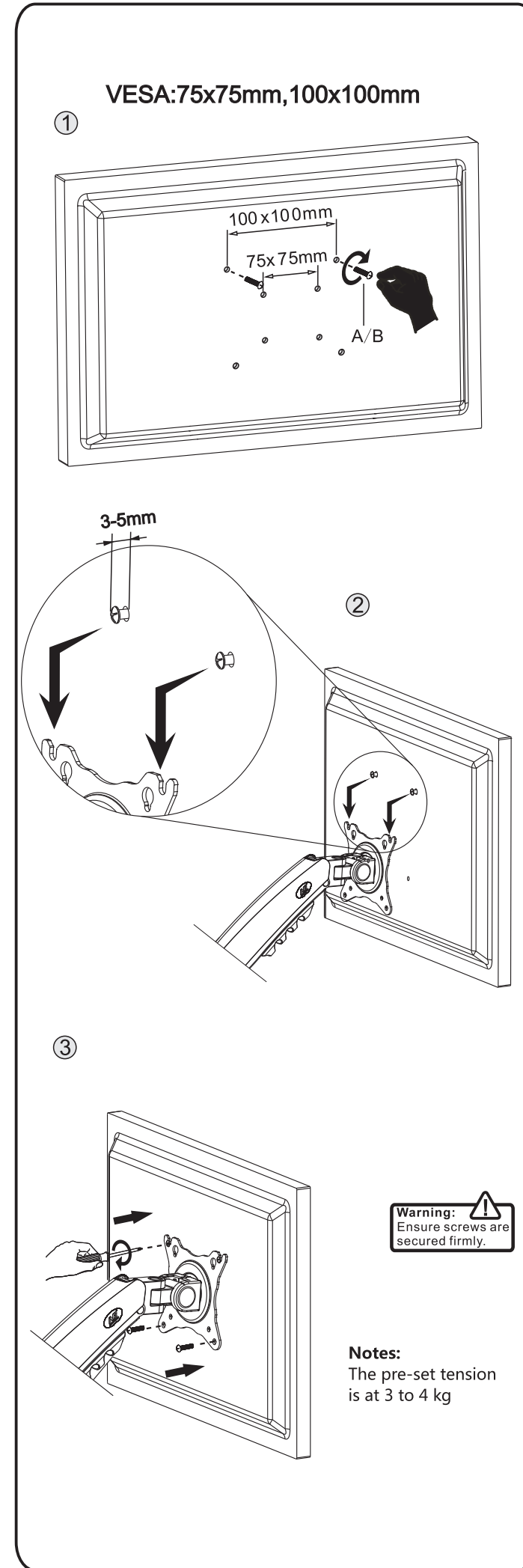
Full Adjustment After Installation



D. Power And Display Lines Installation

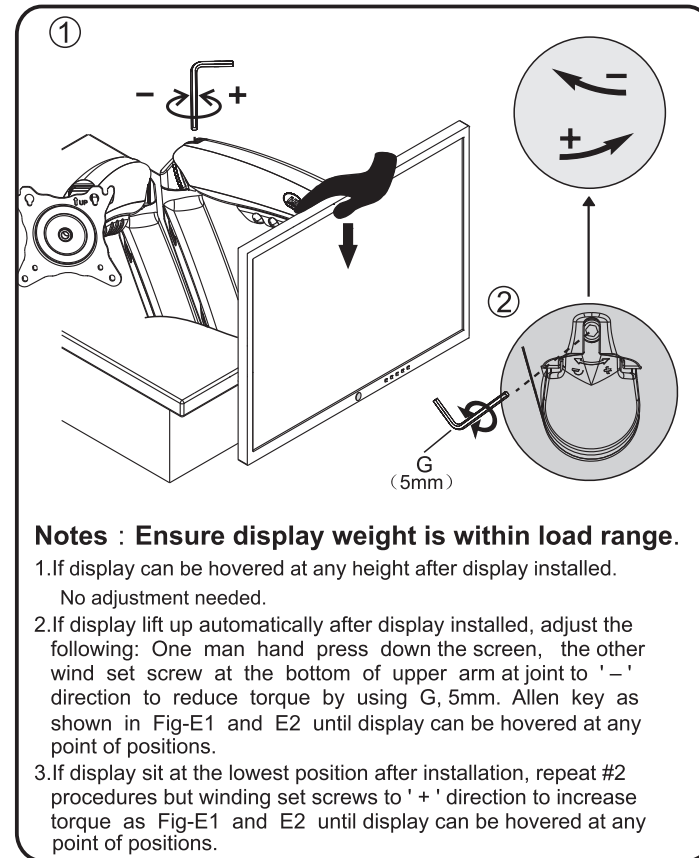


E. Display Installation

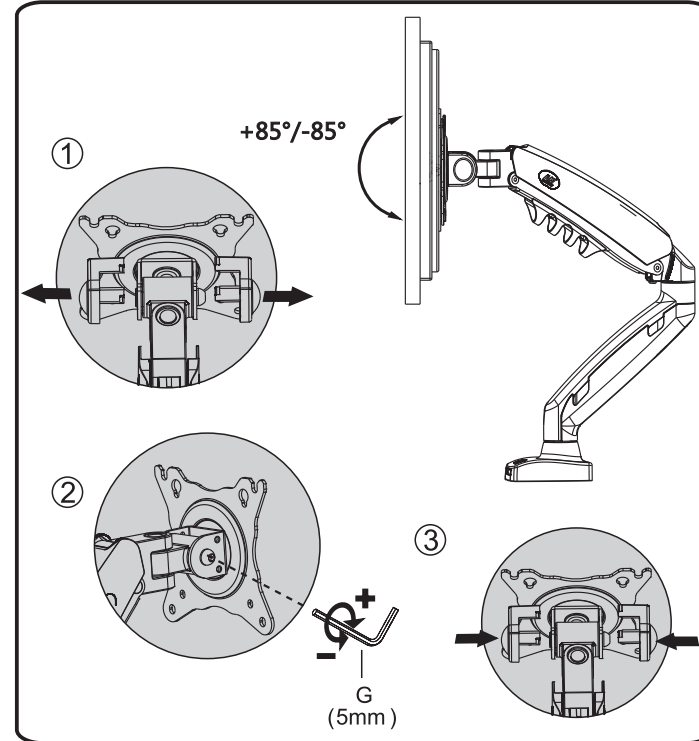


F. Torque Adjustment

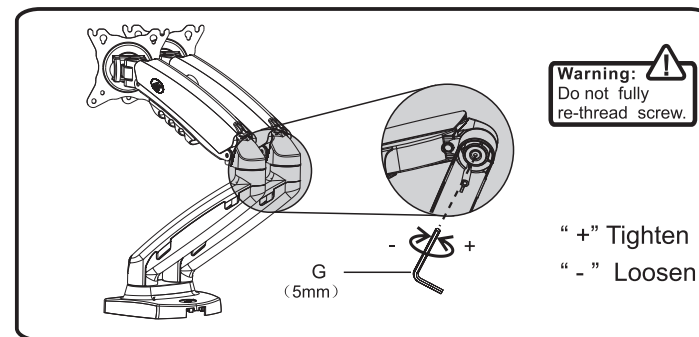
"+" : Torque increase direction shown fig-2
"-" : Torque decrease direction shown fig-2



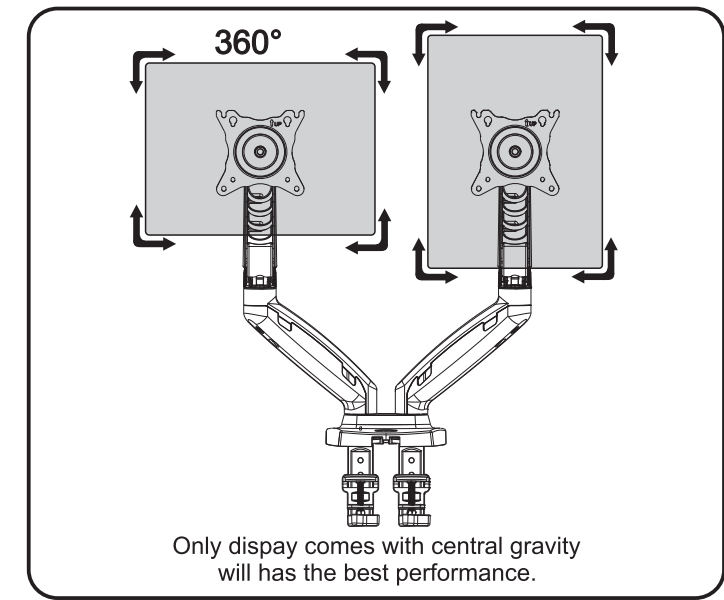
G. Setting Tilt Angle Position



H. Swivel Adjustment



I. Display Rotation



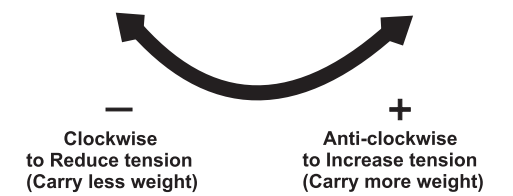
TENSION ADJUSTMENT AFTER WALL MOUNT INSTALLATION



Do not adjust tension without putting on display.

- 1.Ensure display has been put onto mount.
- 2.Read your display packaging or manual to find out display net weight.
- 3.Ensure display net weight between 4.4-19.8lbs (2.0-9.0kg).

Adjustment sign



Warning !



www.nbavmount.com

Kunshan Hongjie Electronics Co., Ltd
1050, Fu Chun Jiang Road,
Economic Development Zone.
Kunshan City, Jiangsu Province. China. 215333
Mail: info@nbavmount.com
www.nbavmount.com
TEL: 86+512-57971777
FAX: 86+512-57970778