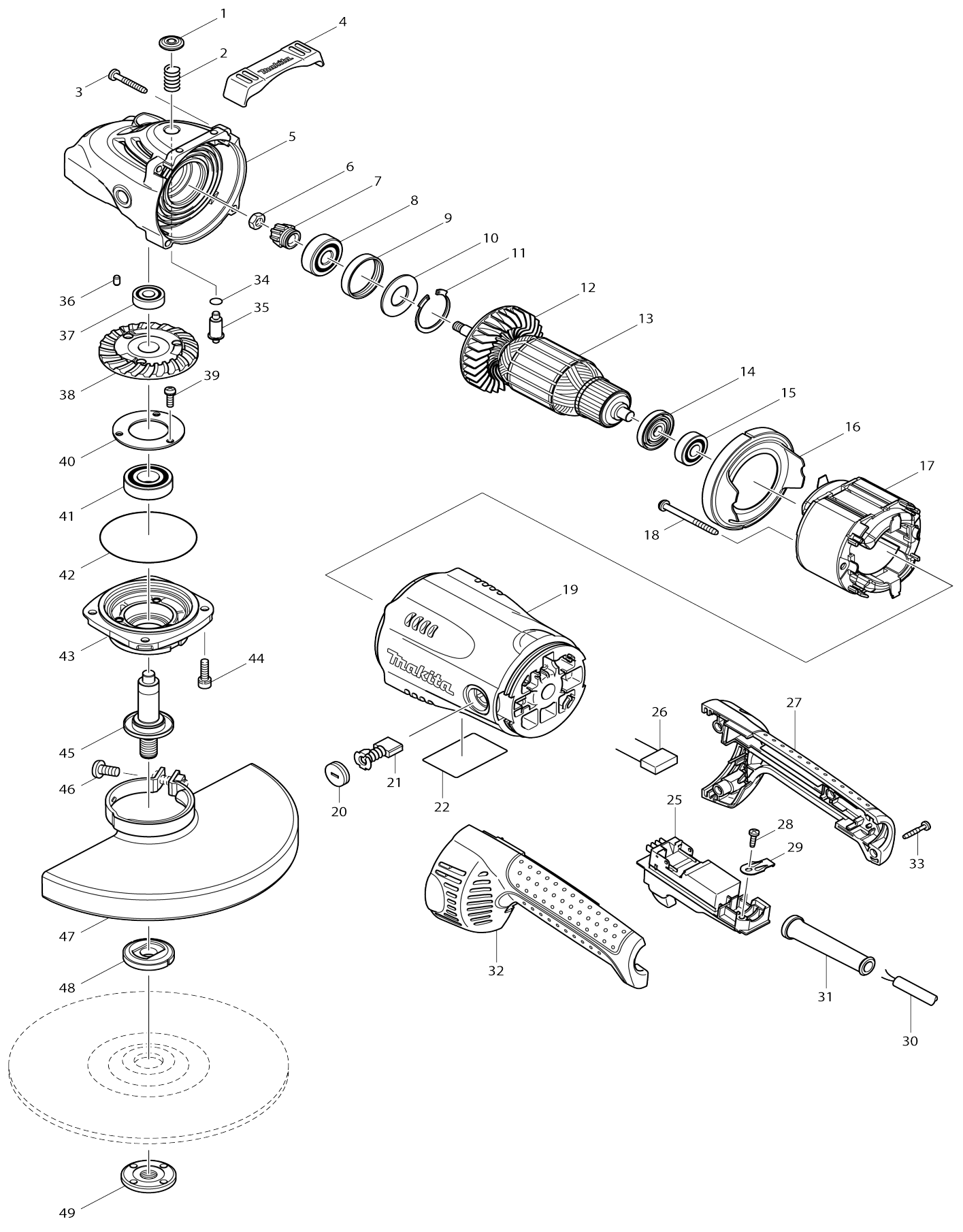


Model No.GA9020 ANGLE GRINDER 230MM



Model No.GA9020 ANGLE GRINDER 230MM

Item No.	Parts No.	Description	Interchangability	Q'ty	New/Old	Note1	Note2
047-2	141P30-9	WHEEL COVER 180K COMPLETE	<	1			
C10	213017-6	O RING 6		1			
C20	8050A1-8	CAUTION LABEL		1			
D10		INC. 46					
A01	152539-0	GRIP 36 COMPLETE		1	*		
001	419133-4	PIN CAP		1	*		
001-1	416449-8	PIN CAP	S	1	*		
001-2	419133-4	PIN CAP	S	1			
002	233292-8	COMPRESSION SPRING 12		1			
003	266373-3	TAPPING SCREW 5X35		4	*		
003-1	266012-5	TAPPING SCREW 5X35	O	4	*		
003-2	265B72-6	TAPPING SCREW 5X35	O	4			
004	419144-9	BUMPER		1			
005	154685-5	GEAR HOUSING COMPLETE		1	*		
C10	262118-7	FELT RING 18		1	*		
005-1	154685-5	GEAR HOUSING COMPLETE	O	1	*		
C10	262118-7	FELT RING 18		1	*		
C20	419134-2	LABYRINTH PLATE		1	*		
005-2	154685-5	GEAR HOUSING COMPLETE	O	1	*		
C10	262118-7	FELT RING 18		1	*		
005-3	142754-4	GEAR HOUSING COMPLETE	<	1			
C10	262118-7	FELT RING 18		1			
006	252194-9	HEX. NUT M8		1			
007	227490-4	SPIRAL BEVEL GEAR 12		1			
008	211132-0	BALL BEARING 6301DDW		1			
009	262085-6	RUBBER RING 38		1			
010	267299-2	FLAT WASHER 20		1			
011	962211-4	RETAINING RING R-42		1			
012	240081-4	FAN 80		1			
013	516943-1	ARMATURE ASS'Y 220V		1	*		
D10		INC. 12,14,15					
013-1	517793-7	ARMATURE ASS'Y 220V	<	1			
D10		INC. 12,14,15					
014	681630-2	INSULATION WASHER		1			
015	210075-3	BALL BEARING 6200DDW		1			
016	419135-0	BAFFLE PLATE		1			
017	526159-0	FIELD ASS'Y 240V		1	*		
C10	654197-3	RING TERMINAL		2	*		
C20	654502-4	CONNECTOR P-2		2	*		
017-1	526159-0	FIELD ASS'Y 240V	O	1	*		
C10	654197-3	RING TERMINAL		2	*		
C20	654502-4	CONNECTOR P-2		2	*		
017-2	526179-4	FIELD ASS'Y 240V	O	1			
C10	654197-3	RING TERMINAL		2			
C20	654502-4	CONNECTOR P-2		2			
018	266329-6	TAPPING SCREW 5X60		2	*		
018-1	266044-2	TAPPING SCREW 5X60	O	2	*		

018-2	265B71-8	TAPPING SCREW 5X60	O	2		
019	154671-6	MOTOR HOUSING COMPLETE		1		
C10	643712-8	BRUSH HOLDER		2		
020	643700-5	BRUSH HOLDER CAP 7-18		2		
021	191957-7	A.C. CARBON BRUSH CB-204		1	*	
021-1	194992-4	CARBON BRUSH SET CB-204	O	1		
022	861762-3	GA9020 NAME PLATE		1		
025	651173-8	SWITCH 1267.5113		1	*	
025-1	650100-2	SWITCH TG08-1300-011	O	1	*	
025-2	650102-8	SWITCH TG08-1200-011	<	1		
026	645088-9	NOISE SUPPRESSOR		1		
027	188059-8	HANDLE SET		1		
C10	423350-0	SPONGE SHEET		1		
D10		INC. 32				
028	266385-6	TAPPING SCREW 4X14		1	*	
028-1	266192-7	TAPPING SCREW 4X14	O	1	*	
028-2	265B74-2	TAPPING SCREW 4X14	O	1		
029	687169-3	STRAIN RELIEF		1		
030	695107-1	POWER SUPPLY CORD 1.5-2-2.5		1		
031	682560-0	CORD GUARD 10		1		
032	188059-8	HANDLE SET		1		
C10	423350-0	SPONGE SHEET		1		
D10		INC. 27				
033	266374-1	TAPPING SCREW 4X25		4	*	
033-1	265999-8	TAPPING SCREW 4X25	O	4	*	
033-2	265B73-4	TAPPING SCREW 4X25	O	4		
034	213062-1	O RING 9		1		
035	256491-5	SHOULDER PIN 5		1	*	
035-1	256499-9	SHOULDER PIN 5	S	1	*	
035-2	256491-5	SHOULDER PIN 5	S	1		
036	263002-9	RUBBER PIN 4		1		
037	210067-2	BALL BEARING 6000ZZ		1		
038	227491-2	SPIRAL BEVEL GEAR 53 A		1		
039	265120-9	PAN HEAD SCREW M5X16		3		
040	285724-1	BEARING RETAINER 50		1		
041	211285-5	BALL BEARING 6203DDW		1		
042	213760-7	O RING 78		1		
043	317988-0	BEARING BOX		1	*	
043-1	318377-2	BEARING BOX	S	1		
044	265541-5	HEX. SOCKET HEAD BOLT M6X22		4		
045	154682-1	SPINDLE COMPLETE		1	*	
C10	345629-8	LABYRINTH RING 25		1	*	
045-1	158206-5	SPINDLE COMPLETE	S	1		
C10	345629-8	LABYRINTH RING 25		1		
046	265158-4	+PAN HEAD SCREW M8X25		1	*	
046-1	265198-2	+PAN HEAD SCREW M8X25	<	1		
047	154672-4	WHEEL COVER 230 COMPLETE		1	*	
D10		INC. 46				
047-1	122891-0	WHEEL COVER 230K ASSEMBLY	S	1	*	
C10	213017-6	O RING 6		1	*	
C11	213775-4	O-RING 7	O	1	*	
D10		INC. 46				

047-2	141P32-5	WHEEL COVER 230K COMPLETE	<	1			
C11	213775-4	O-RING 7	O	1			
C20	8050A1-8	CAUTION LABEL		1			
D10		INC. 46					
048	224298-7	INNER FLANGE 42		1	*		
048-1	224415-9	INNER FLANGE 42	<	1			
049	224543-0	LOCK NUT 14-45		1			
050	233946-7	RING SPRING 15		1			
051	819357-6	CLEAR LABEL		1	*		
051-1	804Y42-4	CLEAR LABEL	<	1	*		
A01	152539-0	GRIP 36 COMPLETE		1			
A02	782407-9	LOCK NUT WRENCH 35		1	*		
A02-1	197610-3	LOCK NUT WRENCH 35 SET	O	1			
F04	192227-7	SUPER FLANGE		1			
F26	194305-9	LOCK NUT RELEASE SOCKET 35 S ET		1			

Please state Parts No. when your order.

Print Date 12/15/2023