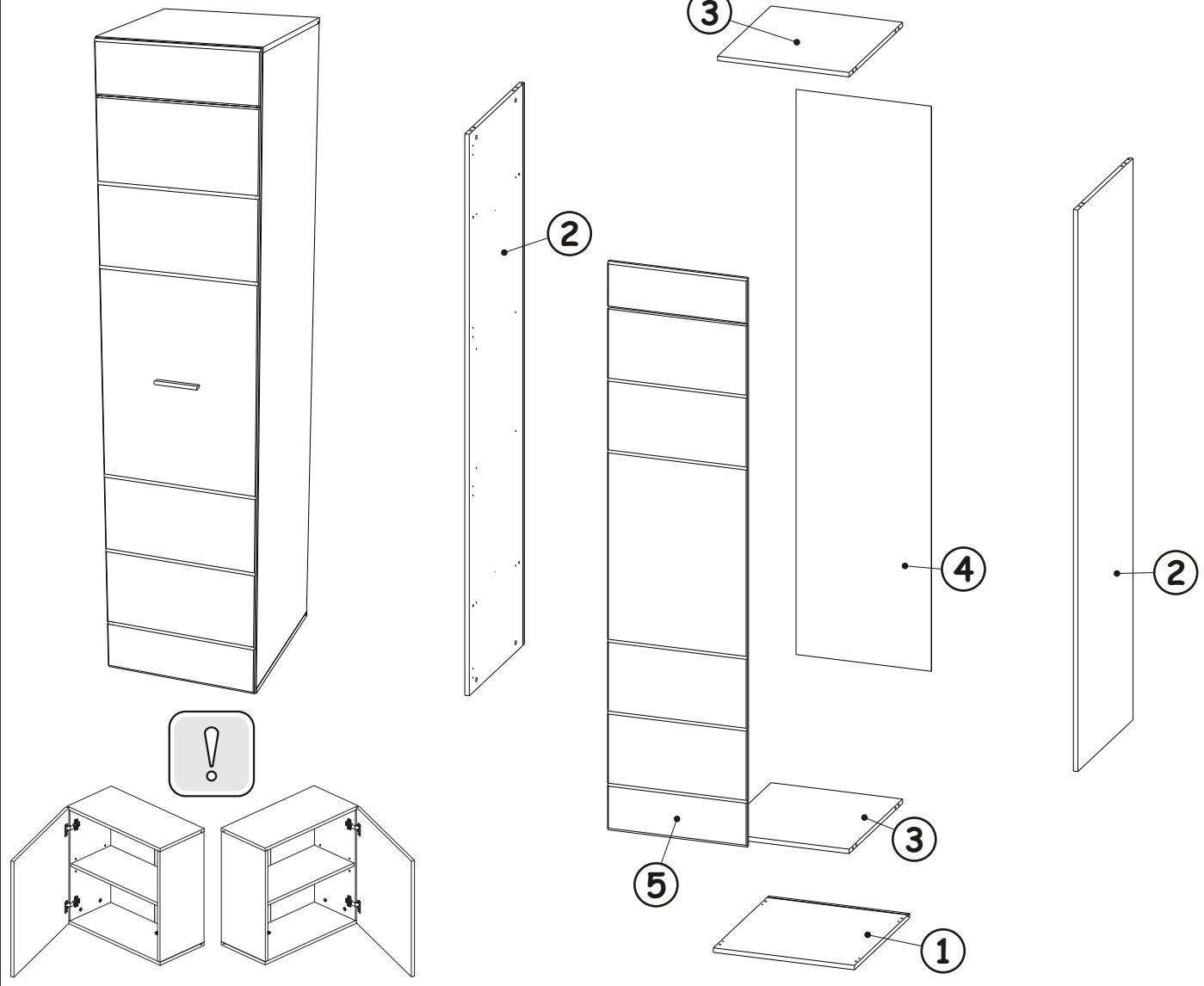
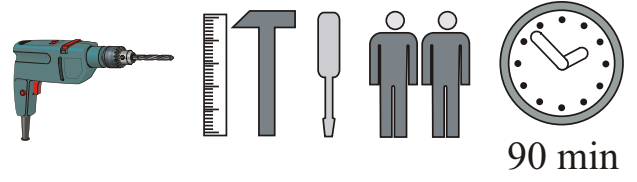




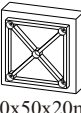
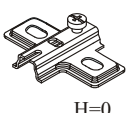
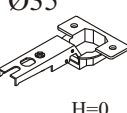



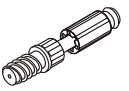

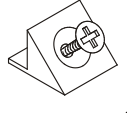
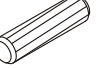
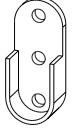
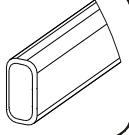


GLOSS Shkaf 1d

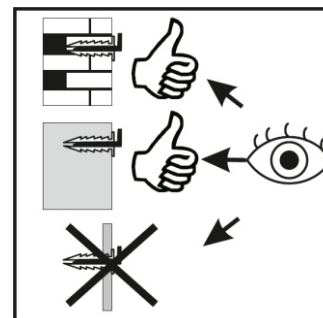
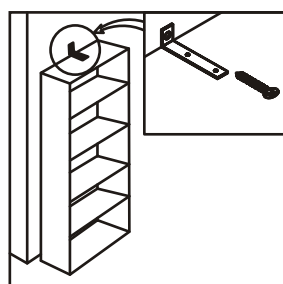
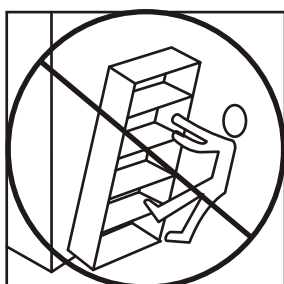
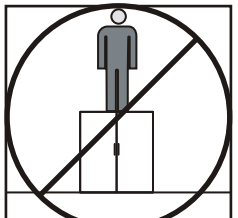
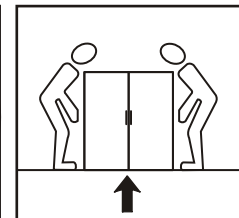
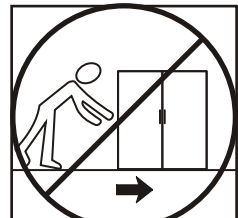
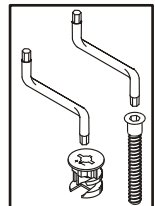
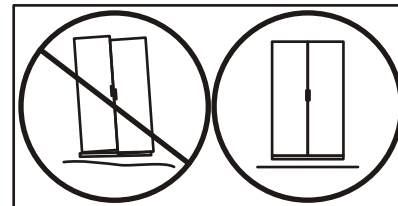
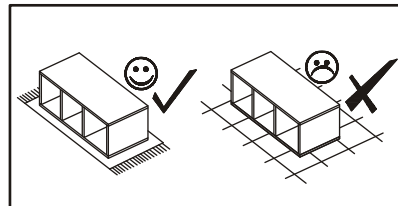
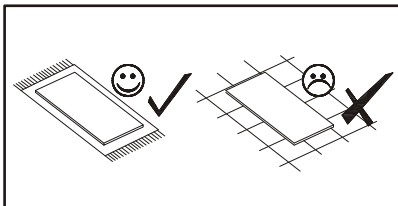
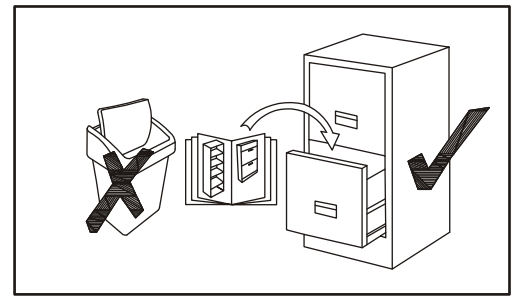
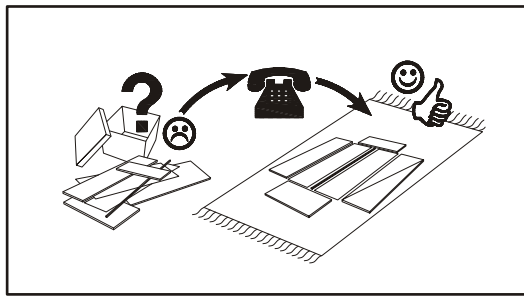
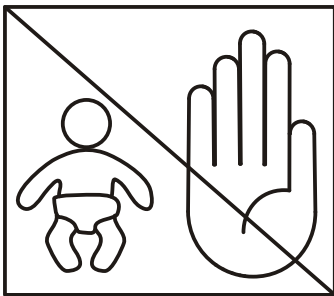
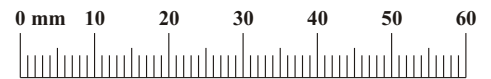


NO	Dim.		Col.-No	Qty
1	1501	540	1	2
2	1501	540	1	2
3	1998	539	1	2
4	1998	539	1	1
5	1998	523	1	1



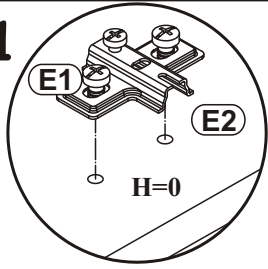
GLOSS Shkaf 1d

G5 x24		G2 x1		T1 x4	 50x50x20mm	E2 x4	 H=0	E21 x4	 Ø35 H=0	E1 x8	 ø6,3x13
BO1 x1	 128mm	O1 x2	 UsØ4x30	B4 x16		B5 x16	 ø15x12	S1 x14		A1 x16	 ø8x30
Z1 x2		Z2 x1		KR2 x16	 USØ3,5x30	D10 x12	 USØ3,5x16				



GLOSS Shkaf 1d

1



E2	
x4	H=0

B4	
x16	

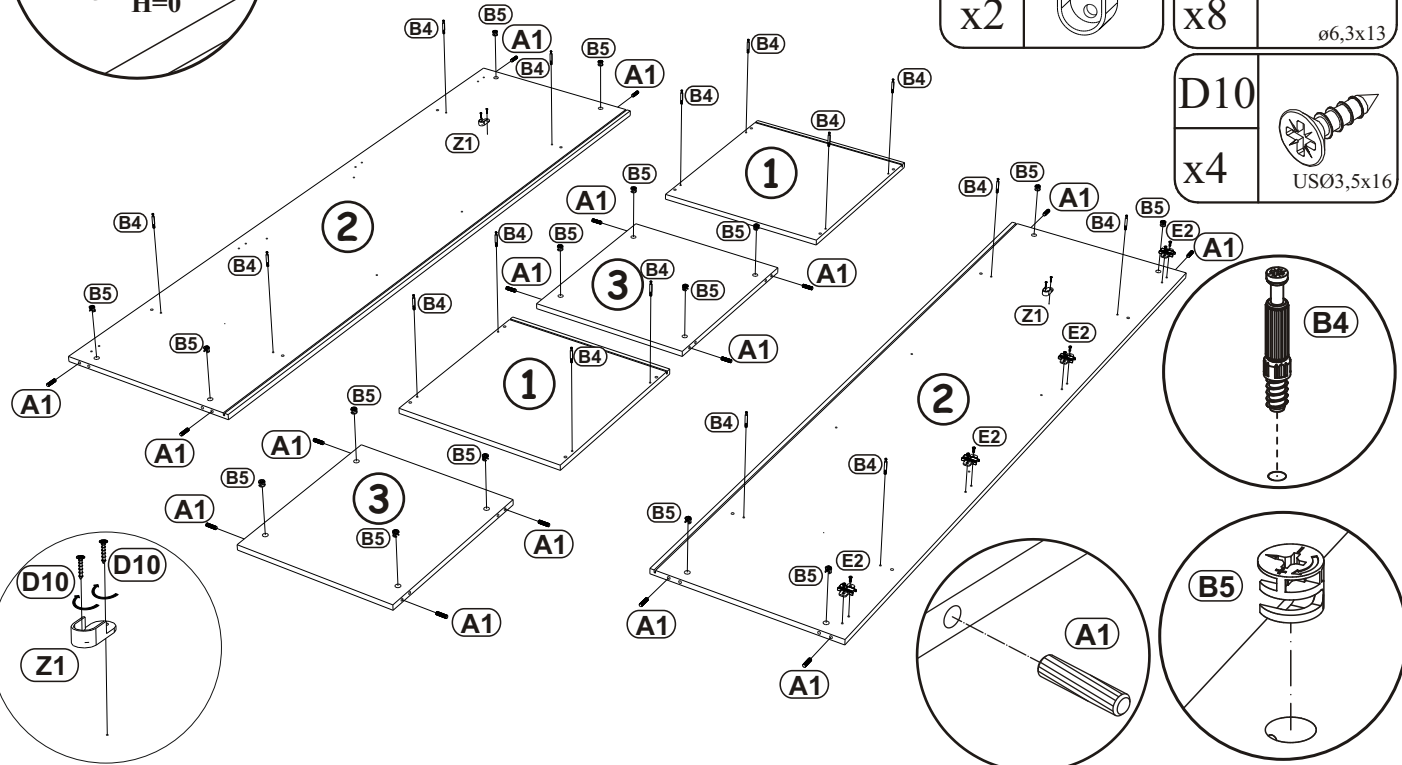
B5	
x16	ø15x12

A1	
x16	ø8x30

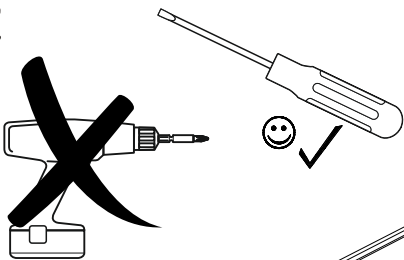
Z1	
x2	

E1	
x8	ø6,3x13

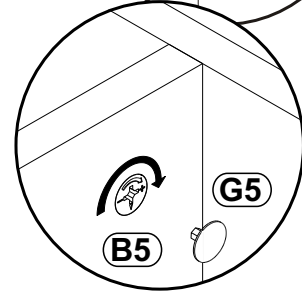
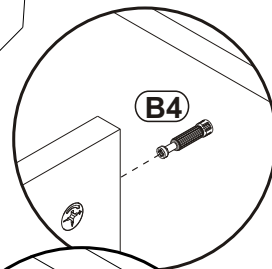
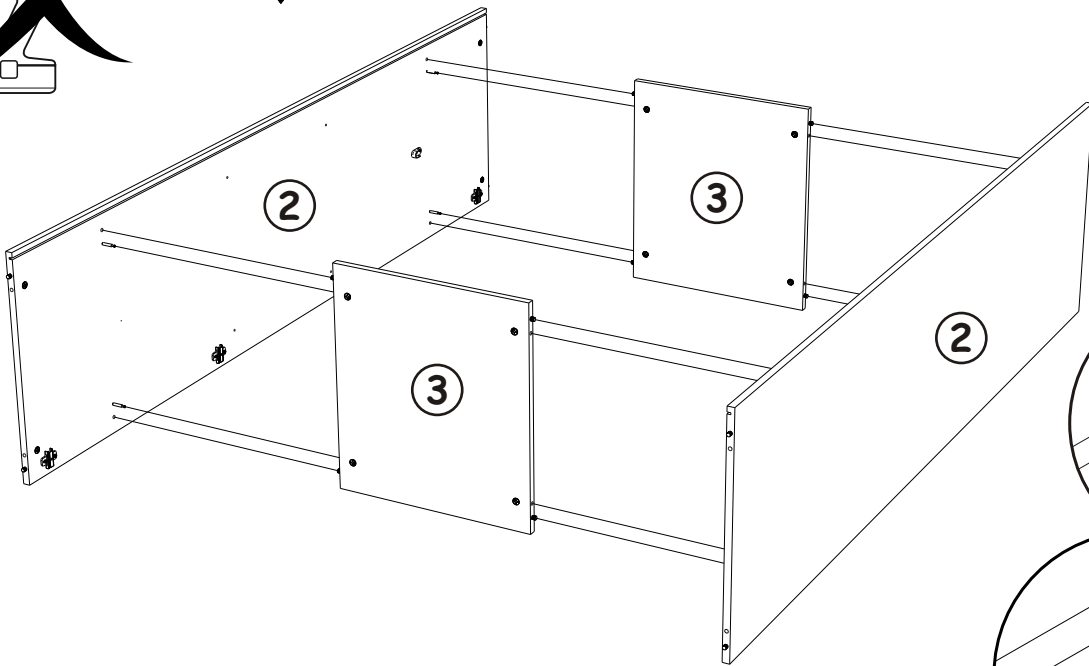
D10	
x4	USØ3,5x16




2

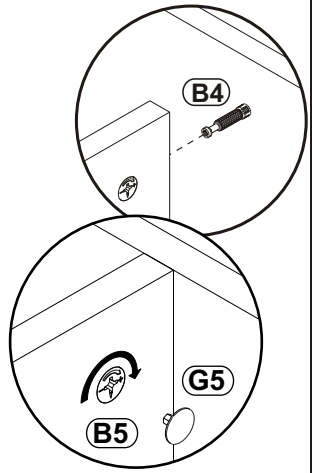
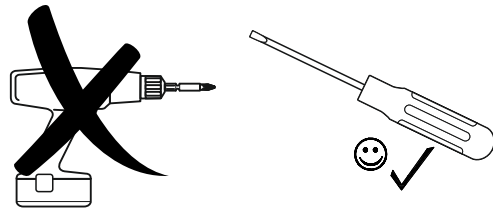
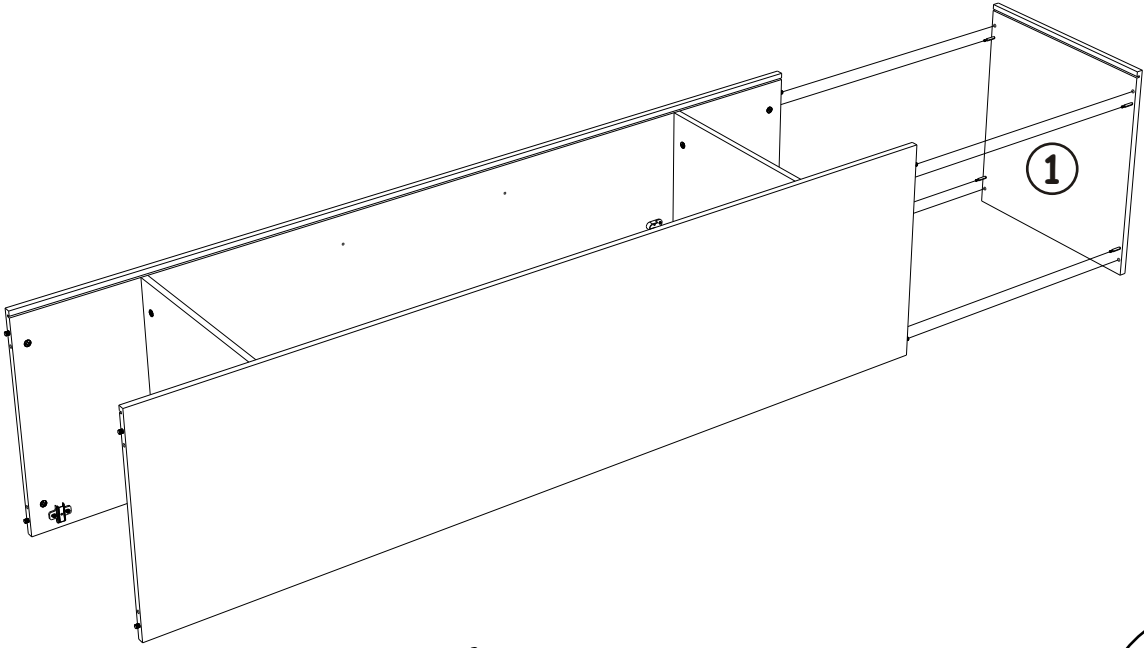


G5	
x8	

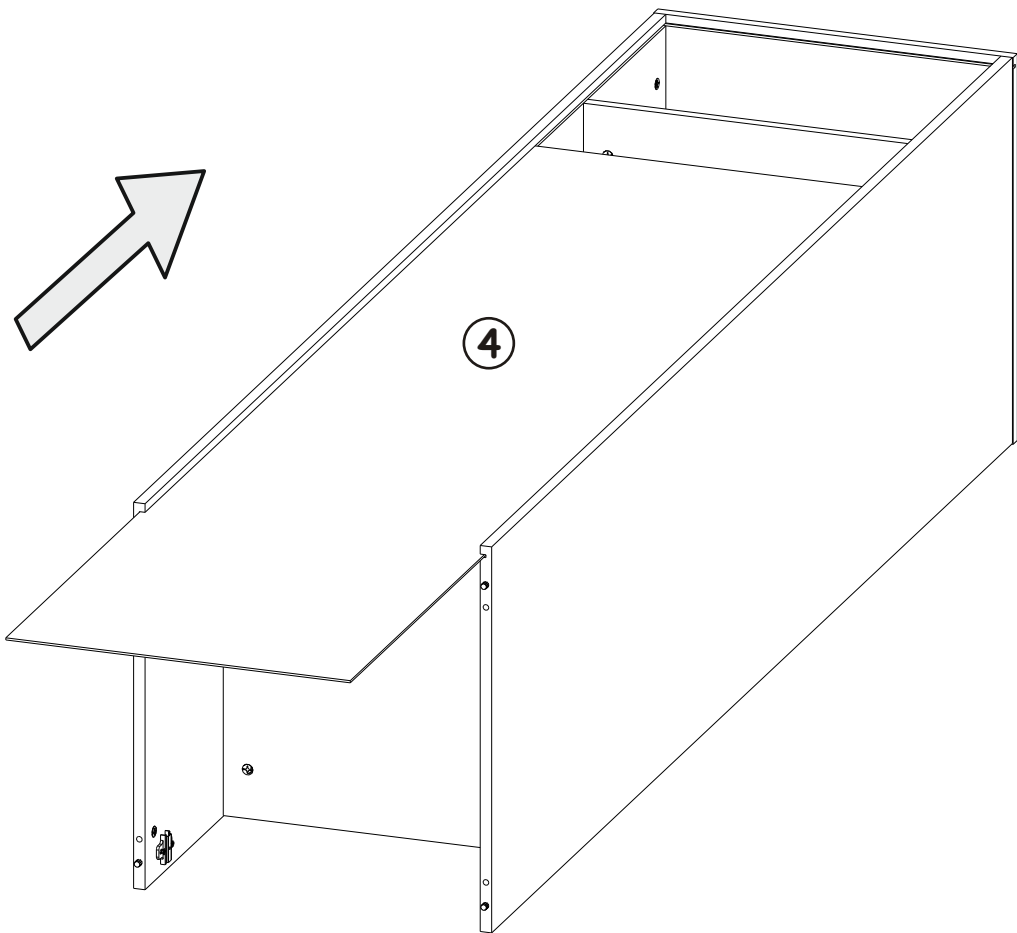


G5	
x4	


3

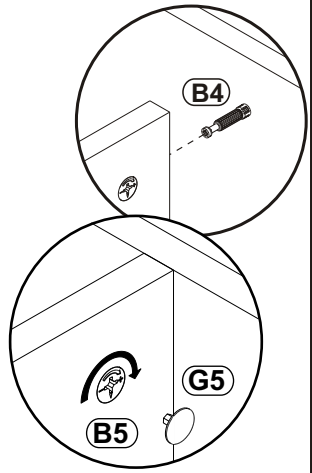
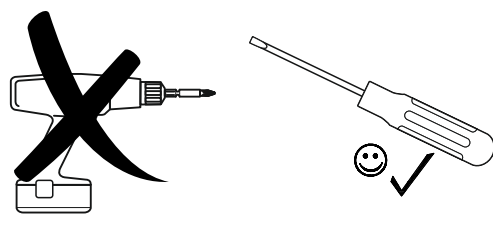
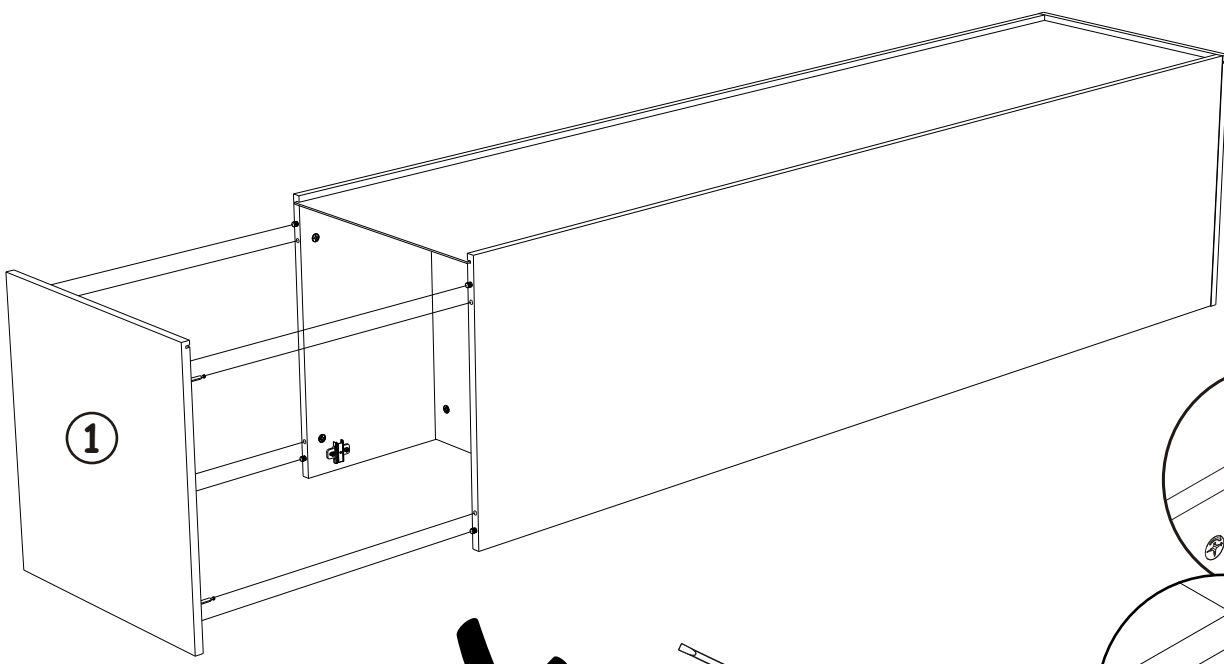


4

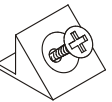


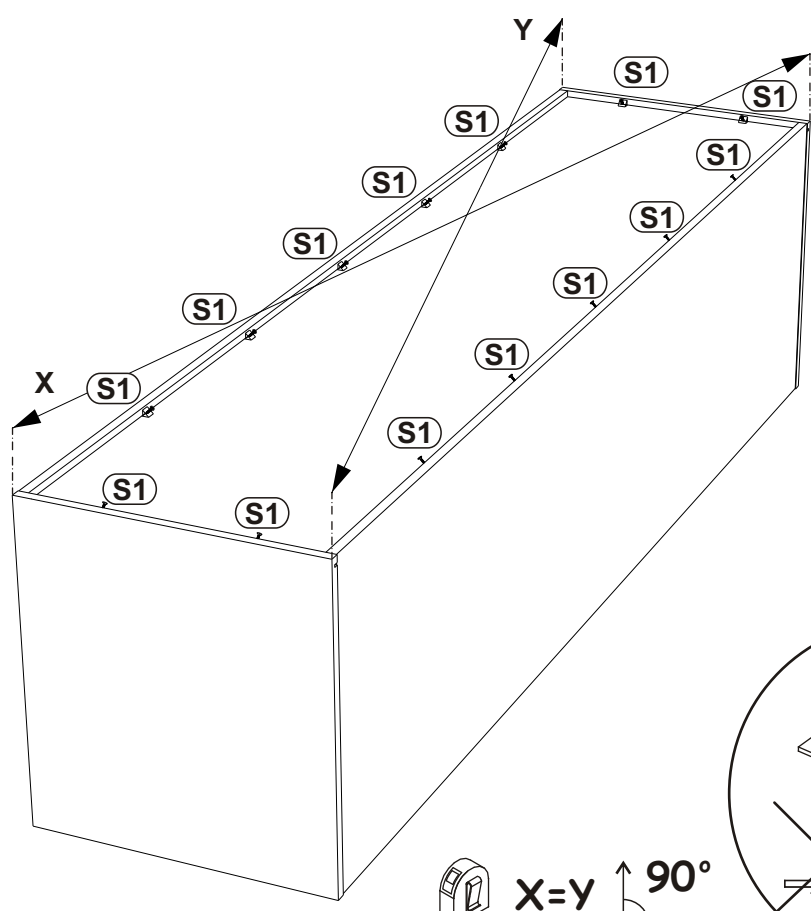
5

G5	
x4	

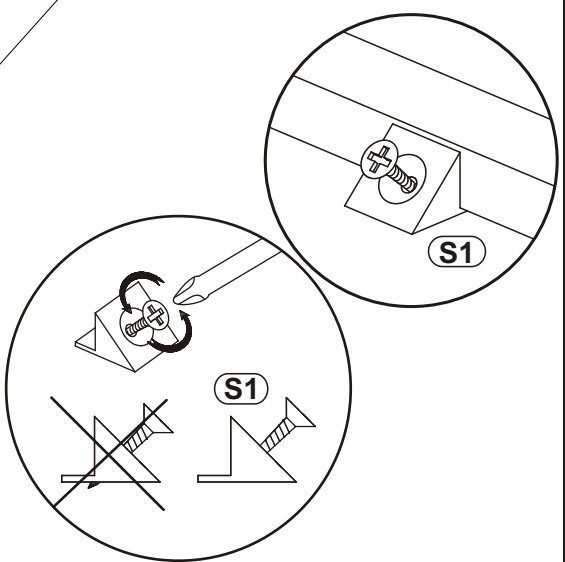


6

S1	
x14	

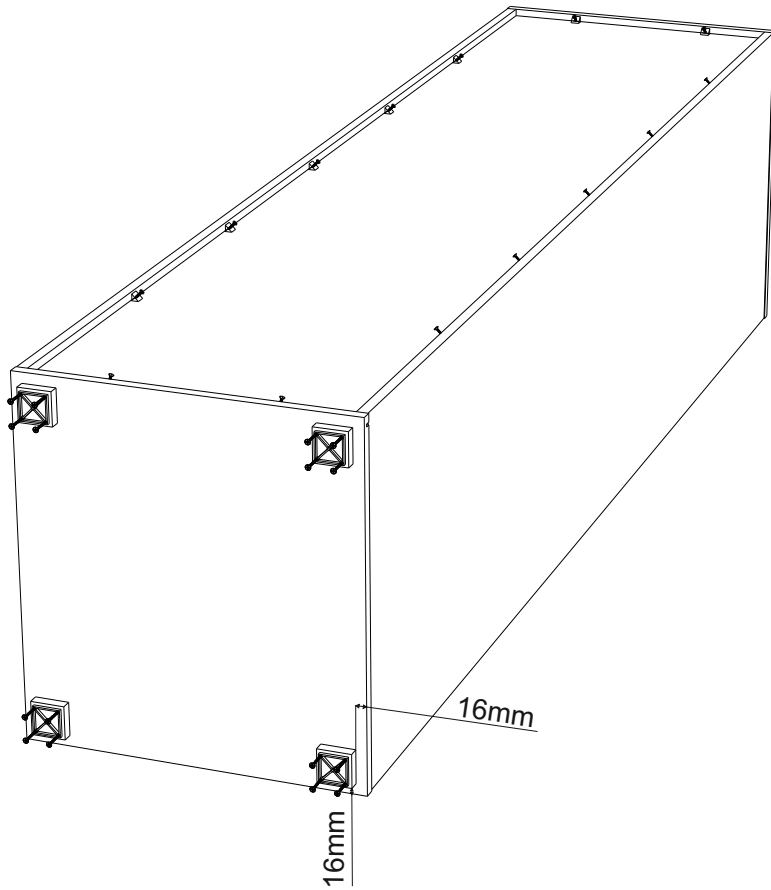


 $X=Y$ 

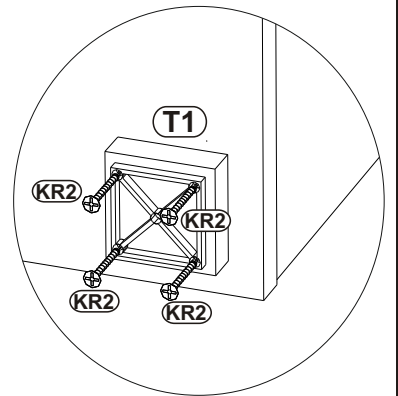


GLOSS Shkaf 1d

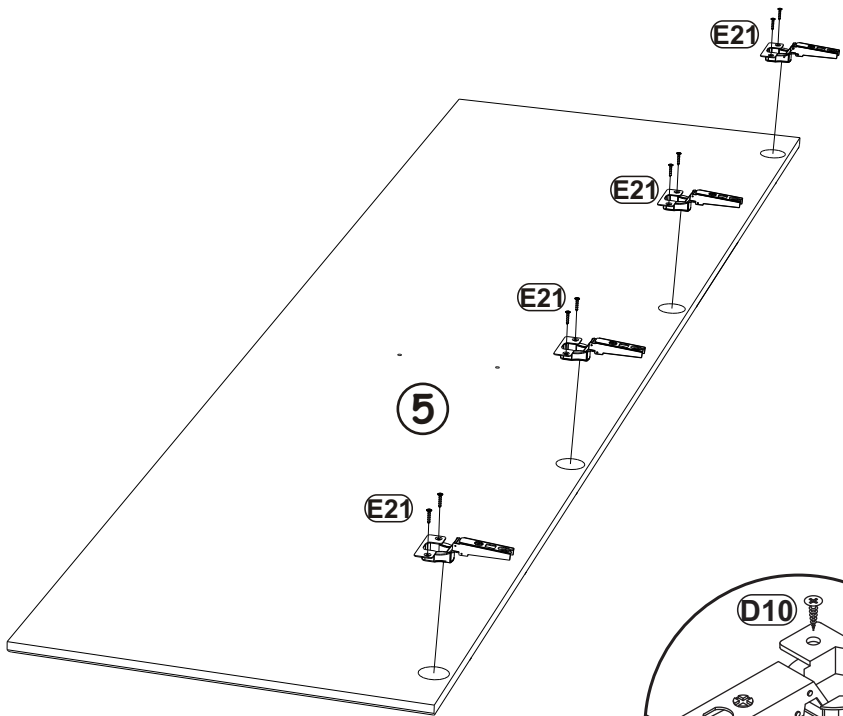
7



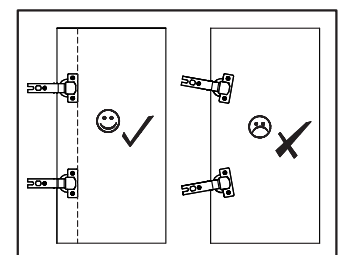
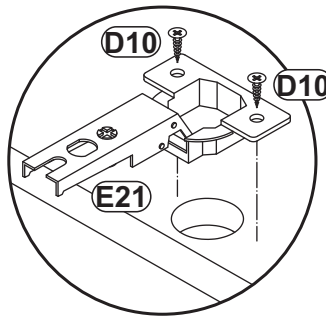
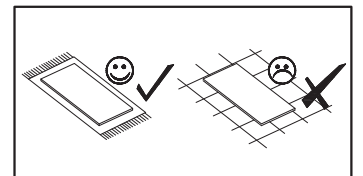
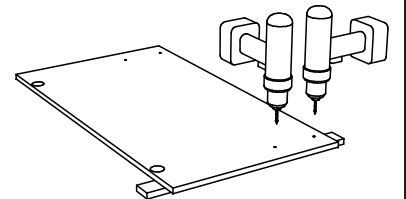
T1		KR2	
x4	50x50x20mm	x16	USØ3,5x30



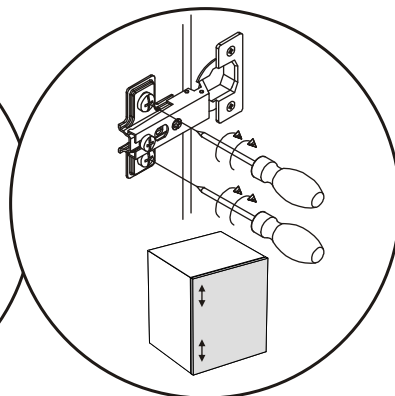
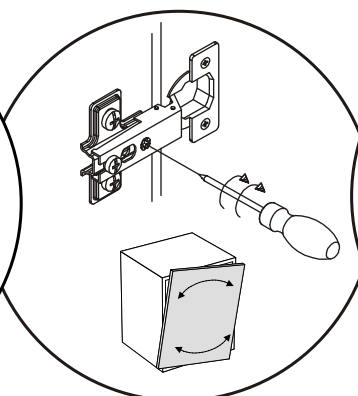
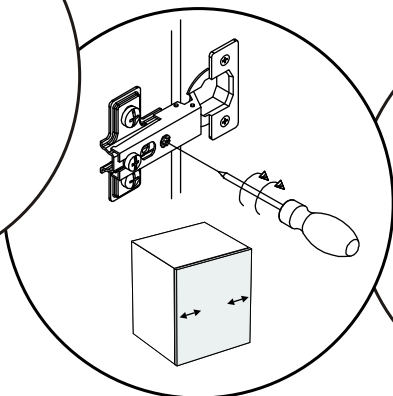
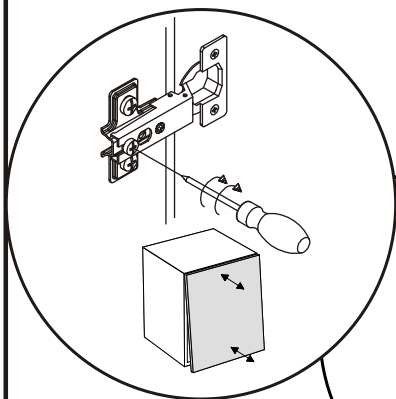
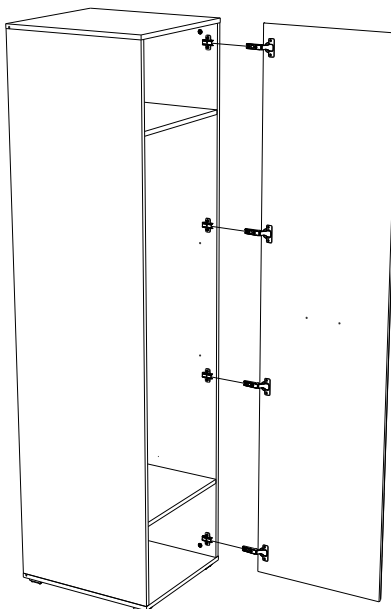
8



E21		D10	
x4	Ø35 H=0	x8	USØ3,5x16



9



10

