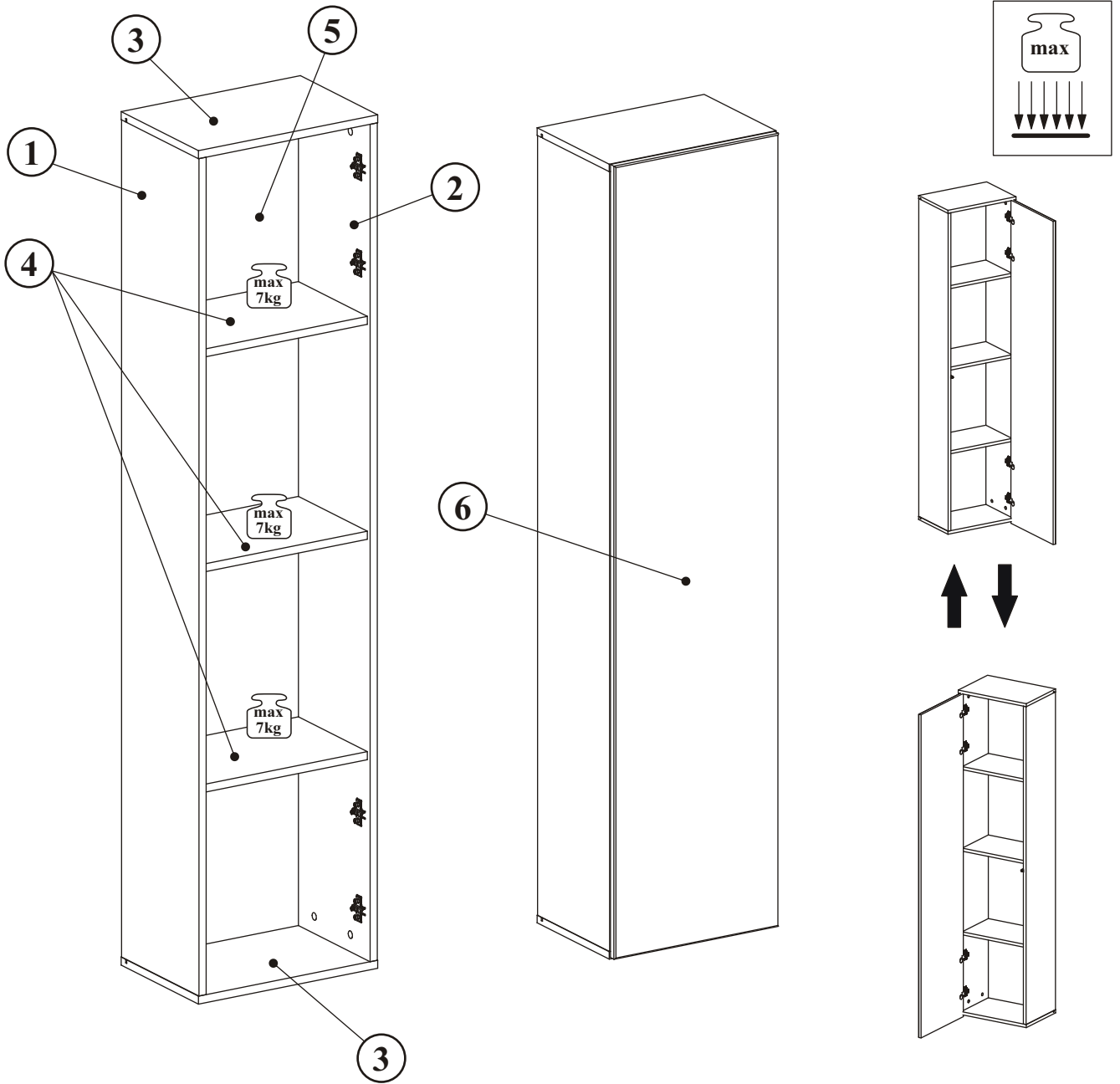
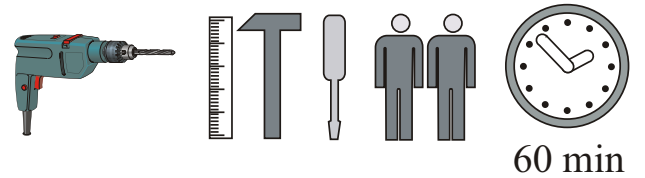


# POINT TYP-40

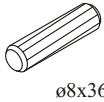
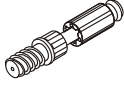
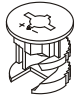

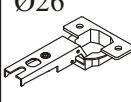
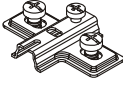
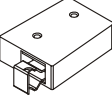
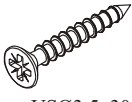
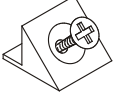

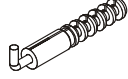
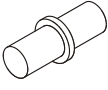





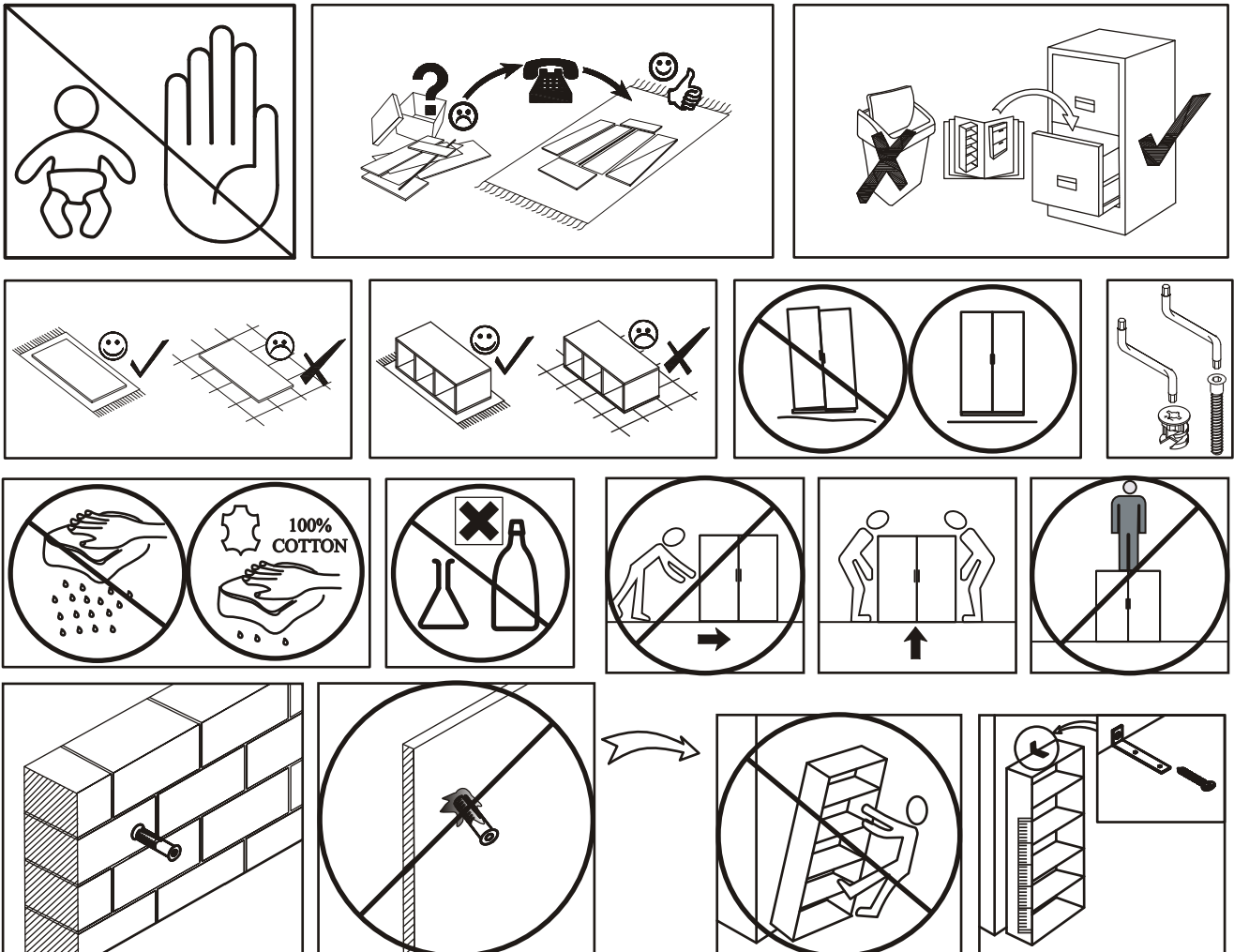
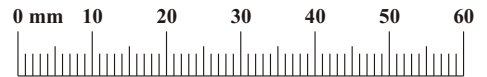
NO	Dim.		Col.-No	Qty
1	1668	274	1	1
2	1668	274	1	1
3	400	274	1	2
4	366	244	1	3
5	1680	378	1	1
6	394	1696	1	1



60 min

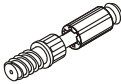
# POINT TYP-40

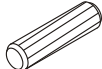
A1 x8  ø8x36	B4 x8 	B5 x8  ø15x12	G5 x8 	E1 x4  Ø26 H=0	E2 x4  H=0
ZR1 x2 	D6 x4  USØ3,5x30	S1 x10 	D10 x10  USØ3,5x13	KR2 x2 	G7 x12 
Z2 x8  Ø5	T1 x1 	G2 x1 			




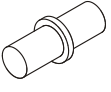
POINT TYP-40

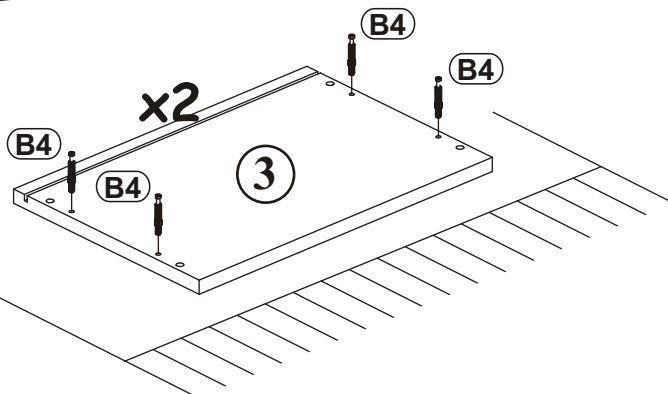
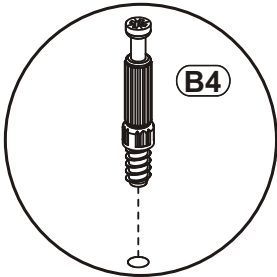
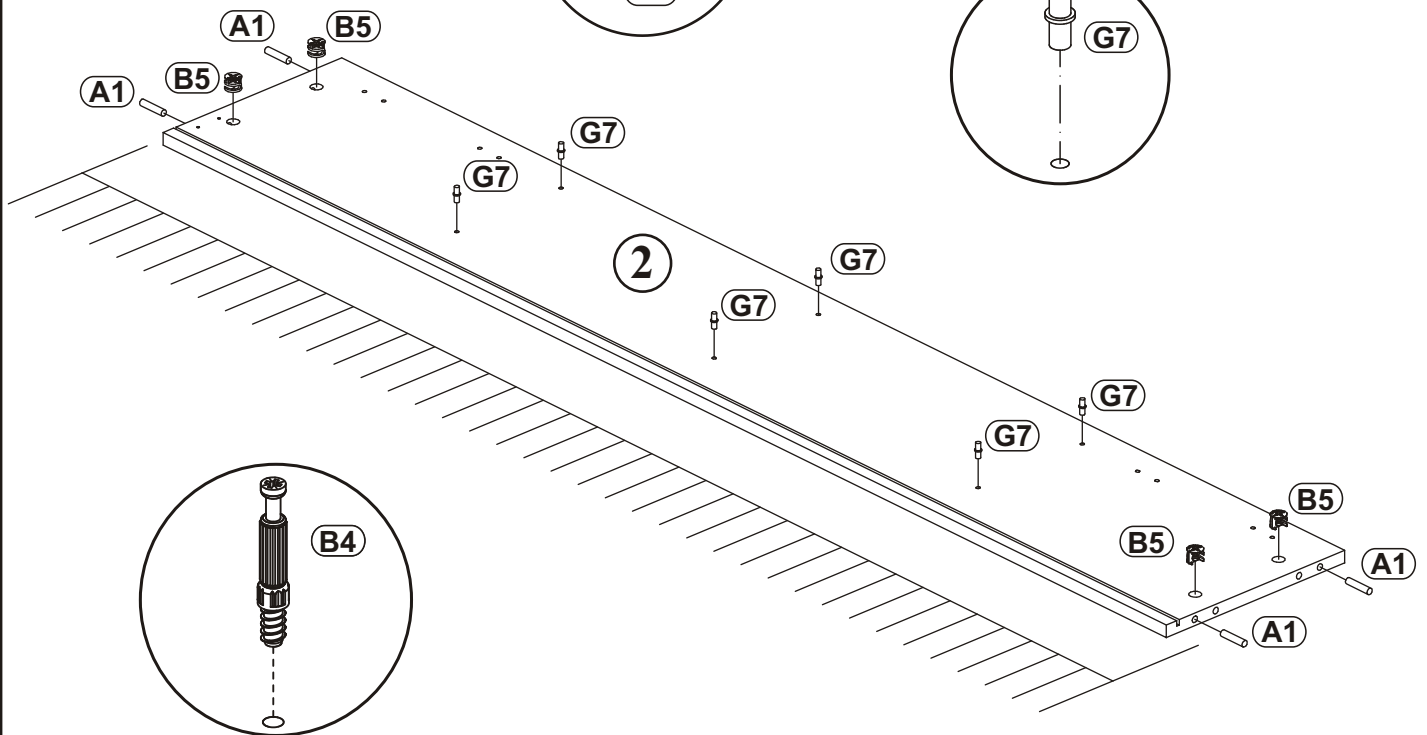
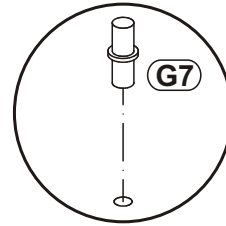
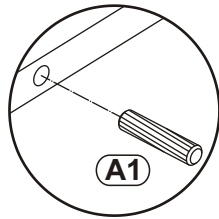
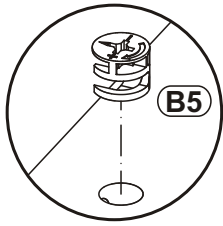
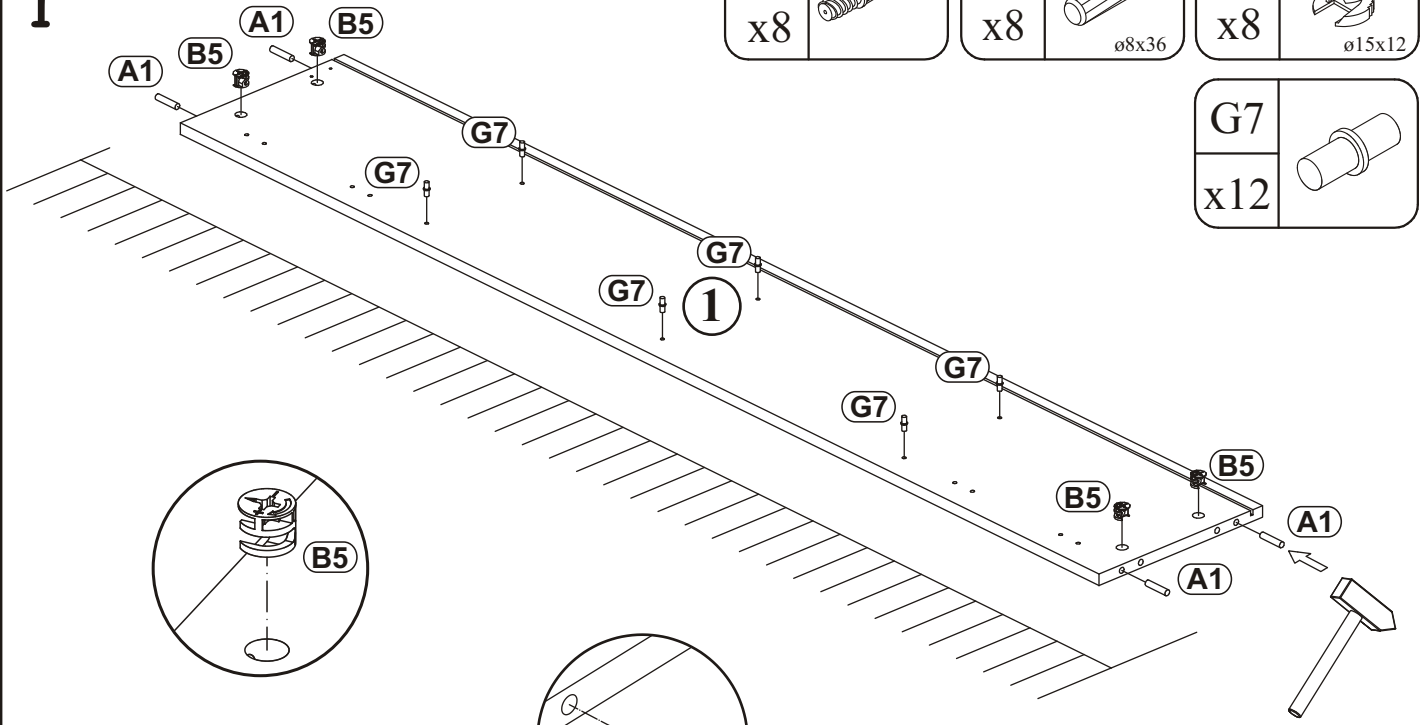
1

B4	
x8	

A1	
x8	ø8x36

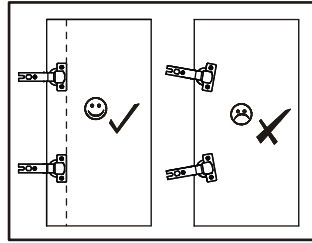
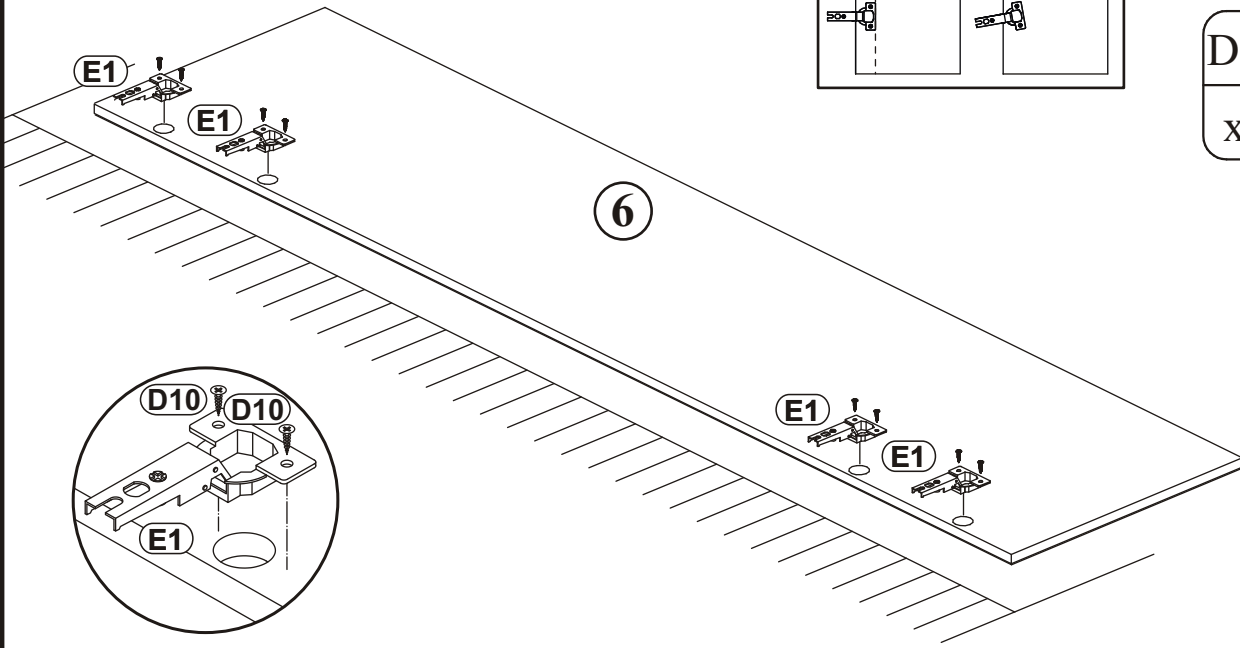
B5	
x8	ø15x12

G7	
x12	




POINT TYP-40

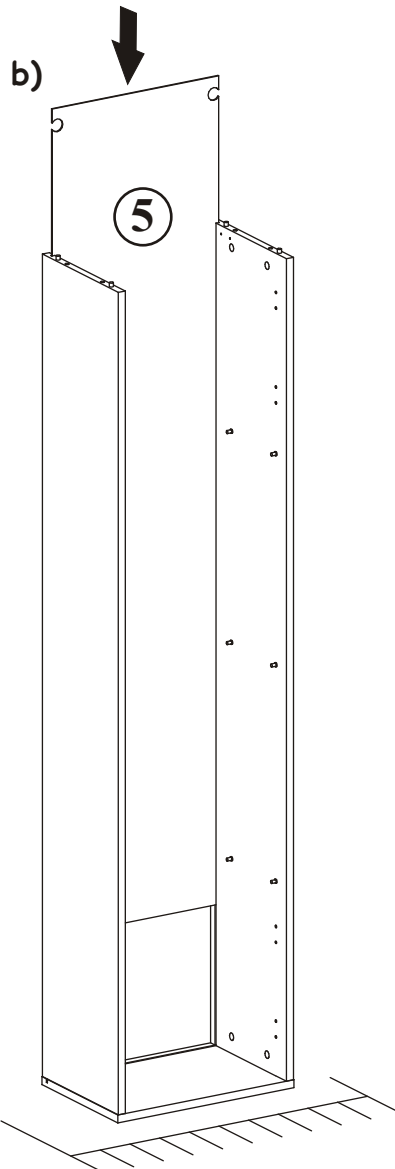
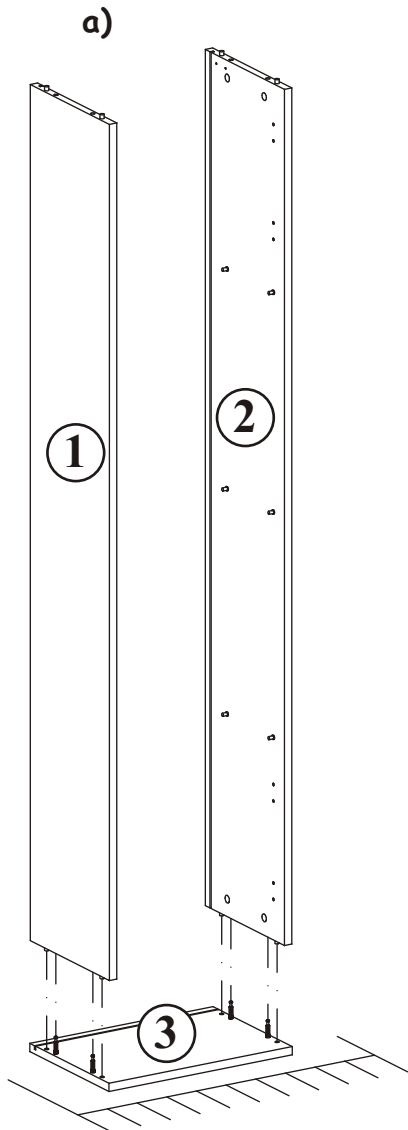
2




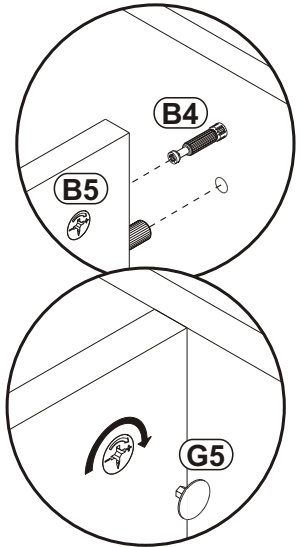
E1	Ø26
x4	H=0

D10	
x8	USØ3,5x13

3

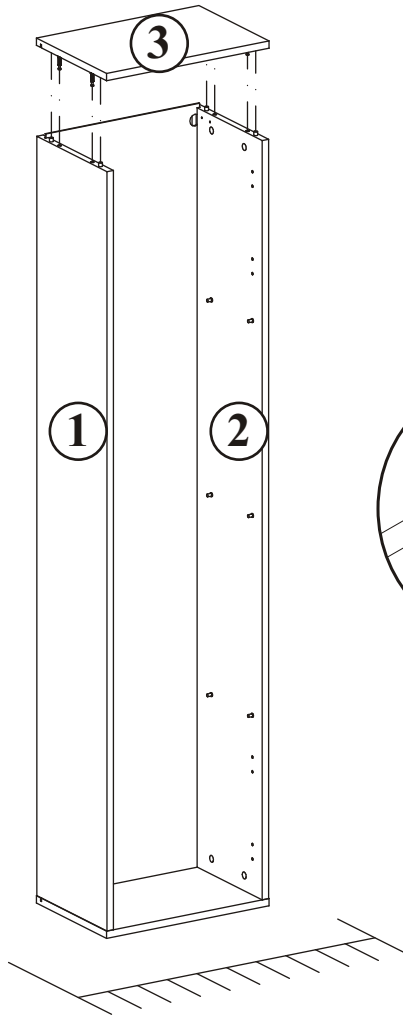



G5	
x4	

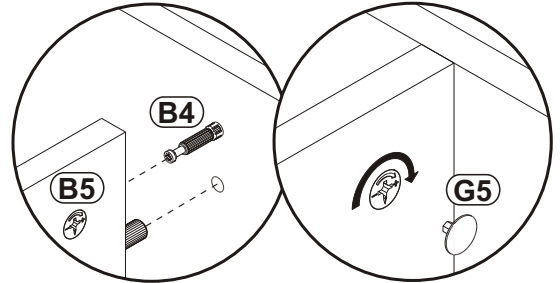


POINT TYP-40

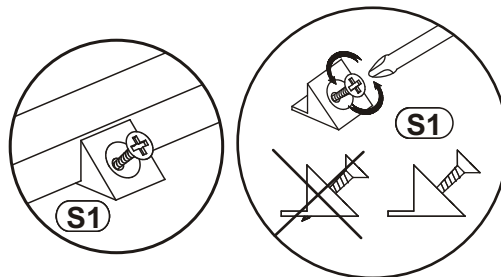
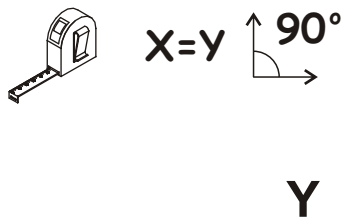
4

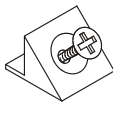


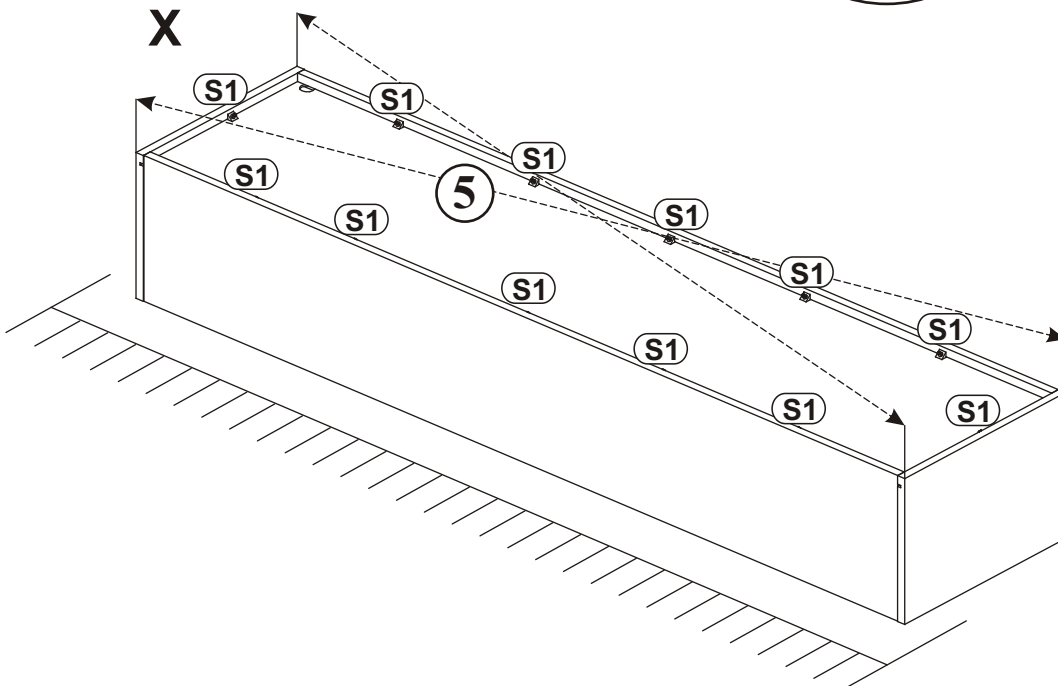
G5	
x4	



5

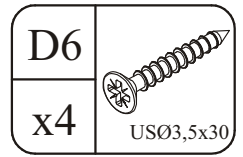
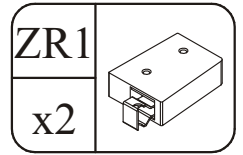
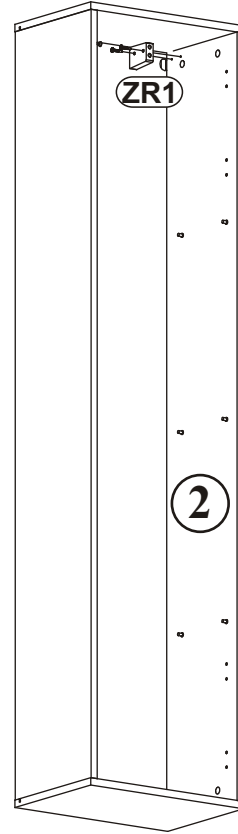
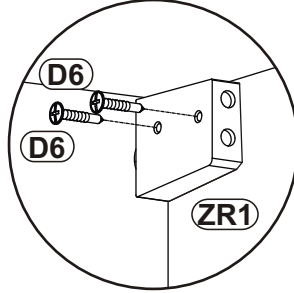
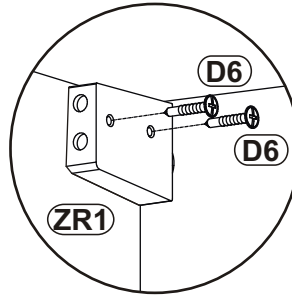
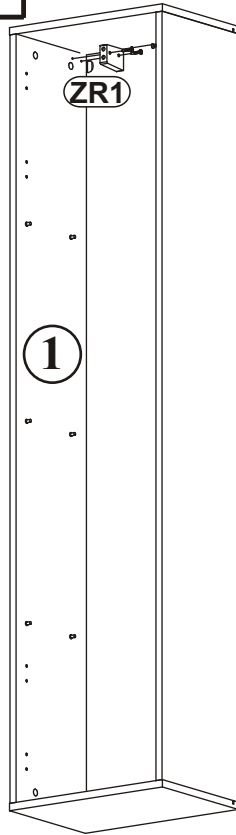


S1	
x12	

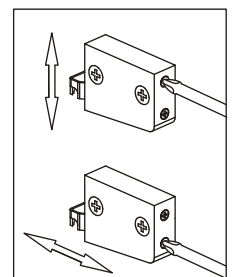
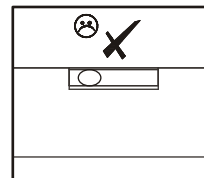
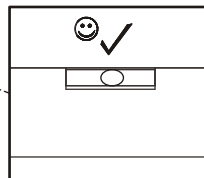
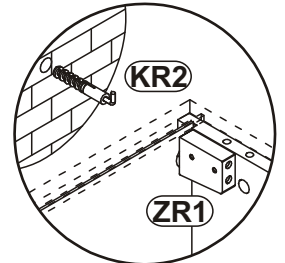
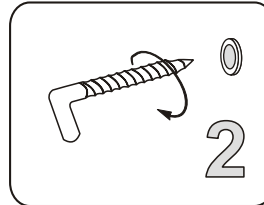
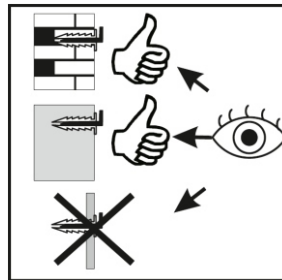
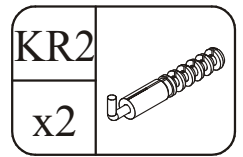
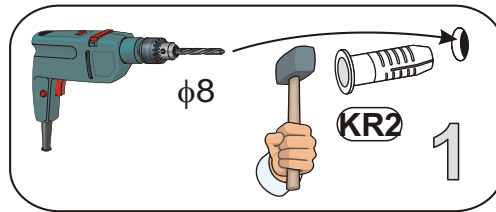
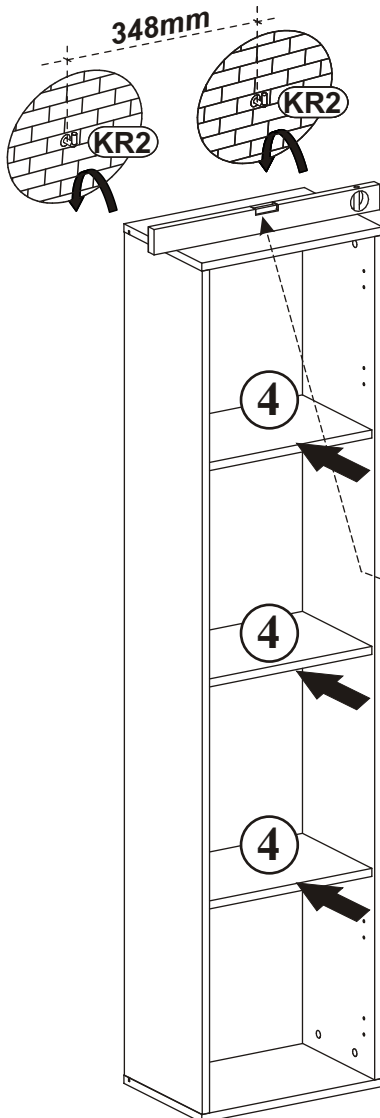


POINT TYP-40

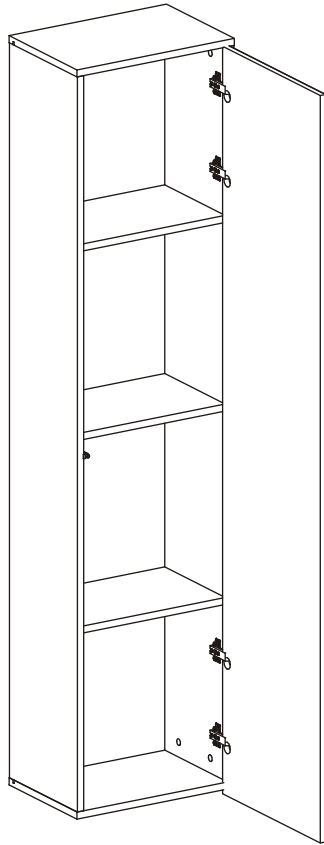
6



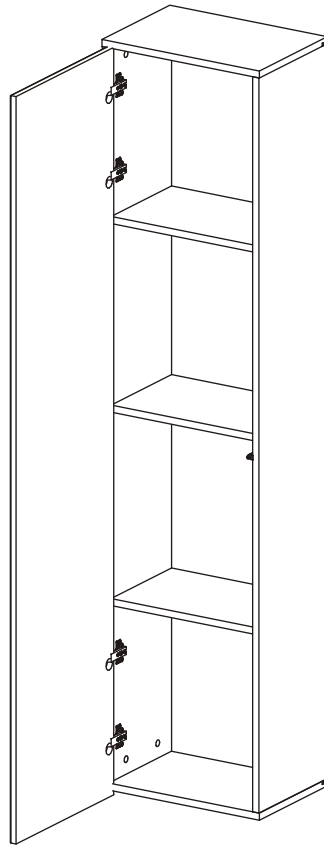
7



8 - 9

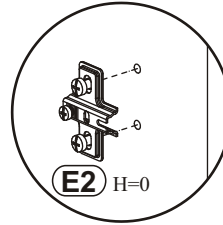
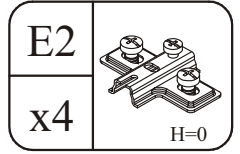
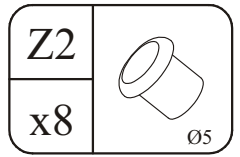
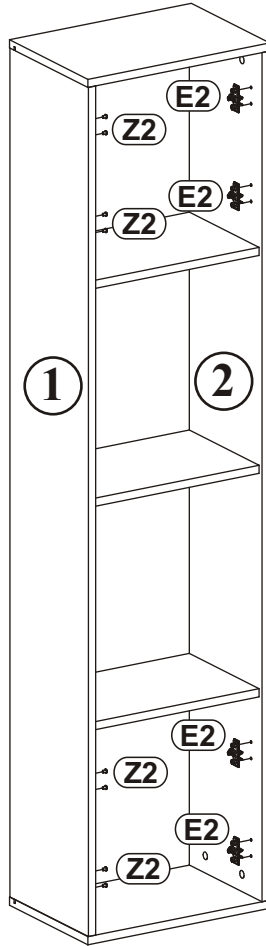
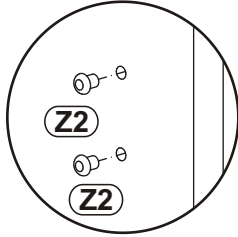
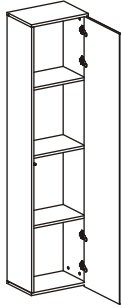


10 - 11

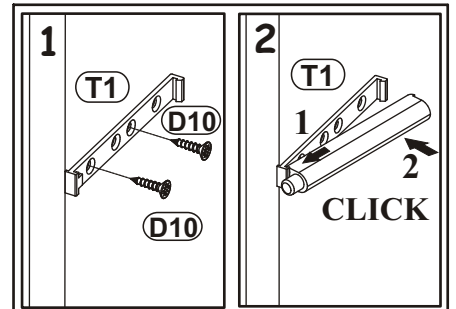
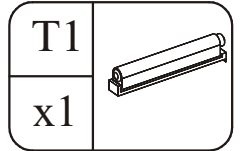
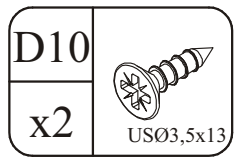
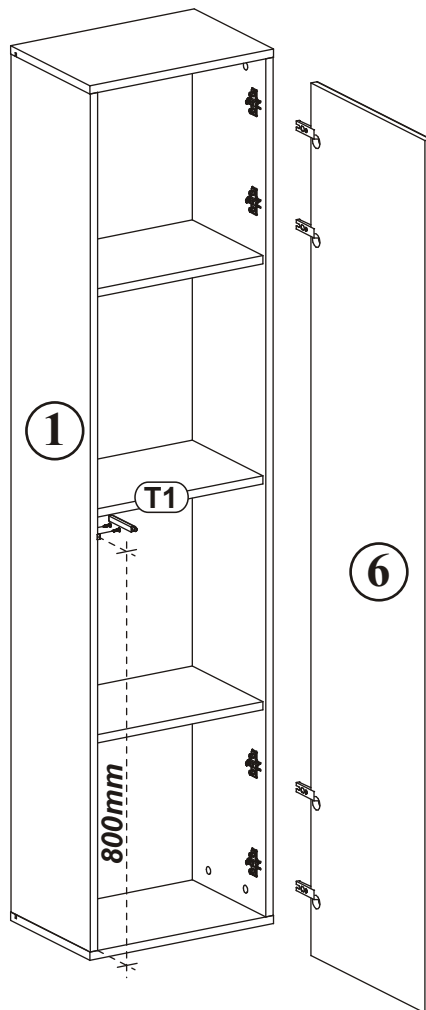
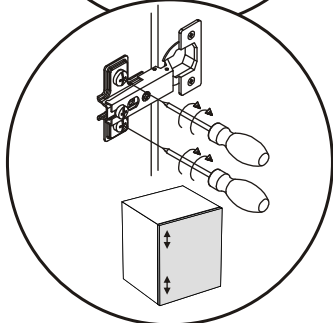
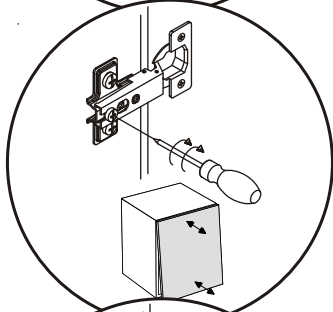
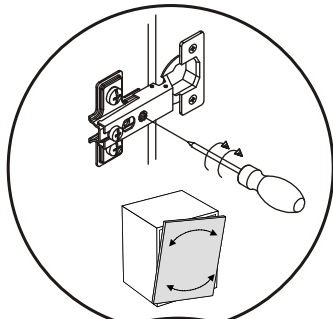


POINT TYP-40

8



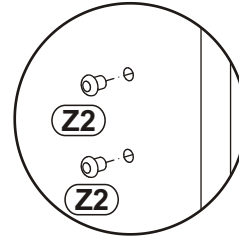
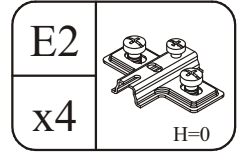
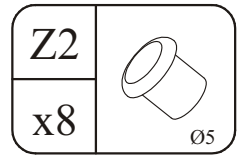
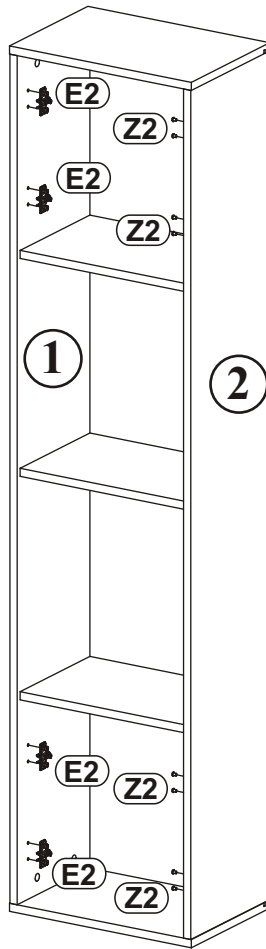
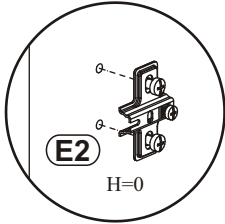
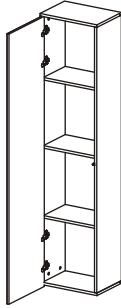
9





POINT TYP-40

10



11

