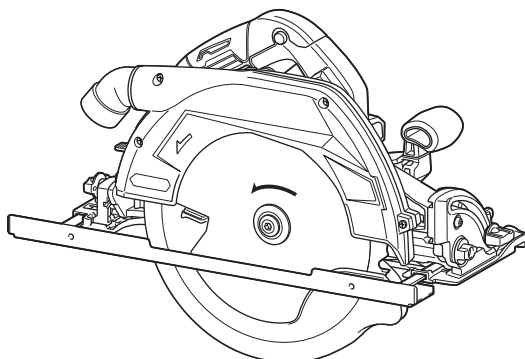




<b>EN</b>	Cordless Circular Saw	<b>INSTRUCTION MANUAL</b>	<b>10</b>
<b>SV</b>	Sladdlös cirkelsåg	<b>BRUKSANVISNING</b>	<b>23</b>
<b>NO</b>	Batteridrevet sirkelsag	<b>BRUKSANVISNING</b>	<b>36</b>
<b>FI</b>	Akkukäyttöinen pyörösaha	<b>KÄYTTÖOHJE</b>	<b>49</b>
<b>DA</b>	Ledningsfri rundsav	<b>BRUGSANVISNING</b>	<b>62</b>
<b>LV</b>	Bezvadu ripzāģis	<b>LIETOŠANAS INSTRUKCIJA</b>	<b>75</b>
<b>LT</b>	Belaidis diskinis pjūklas	<b>NAUDOJIMO INSTRUKCIJA</b>	<b>88</b>
<b>ET</b>	Juhtmeta ketassaag	<b>KASUTUSJUHEND</b>	<b>101</b>
<b>RU</b>	Аккумуляторная циркулярная пила	<b>РУКОВОДСТВО ПО ЭКСПЛУАТАЦИИ</b>	<b>114</b>

## HS011G



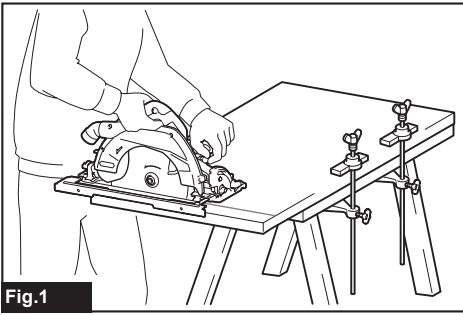


Fig.1

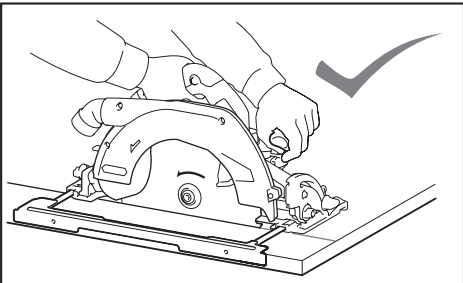


Fig.5

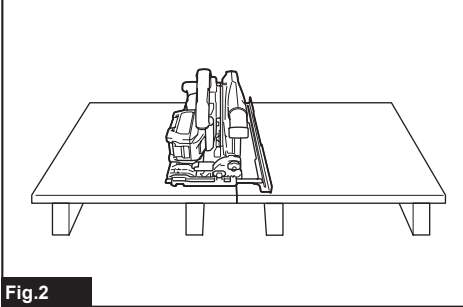


Fig.2

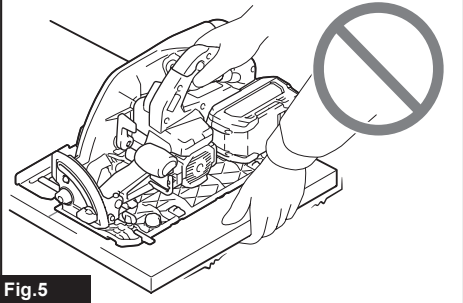


Fig.6

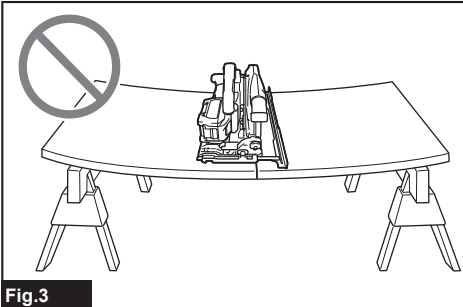


Fig.3

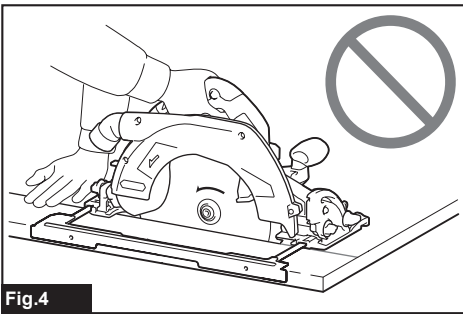


Fig.4

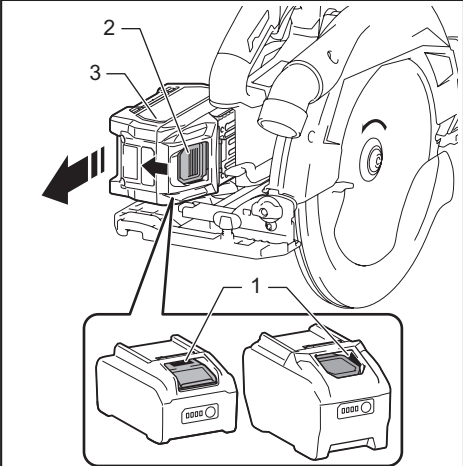
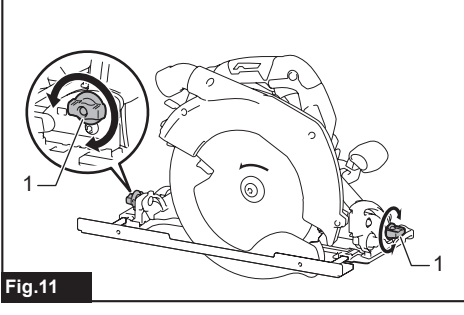
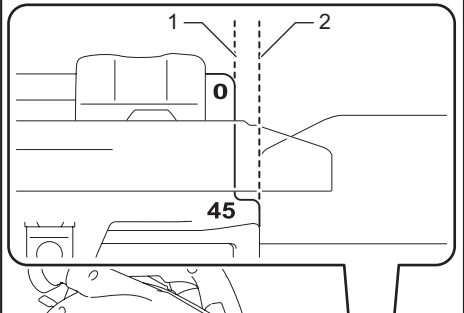
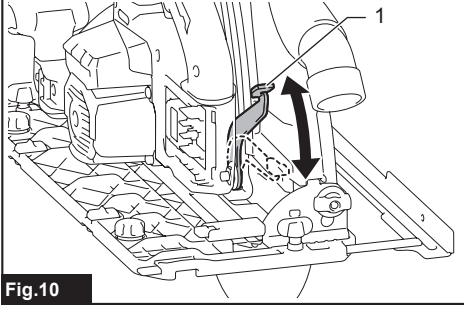
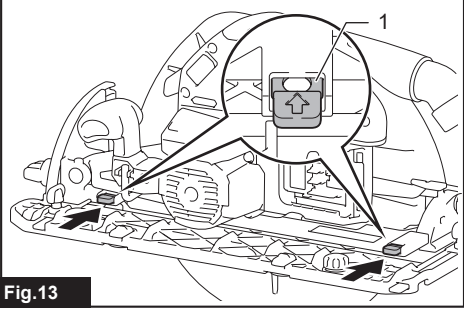
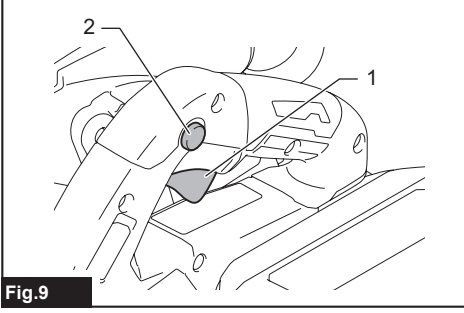
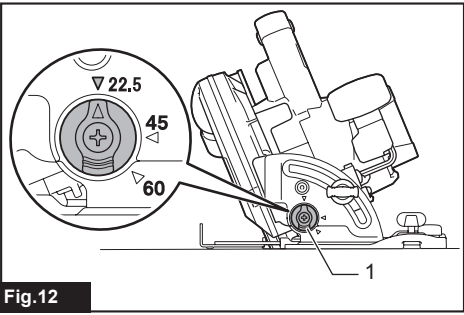
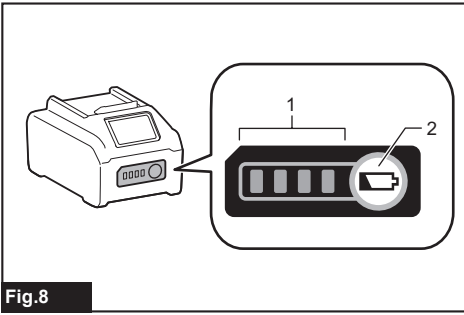


Fig.7



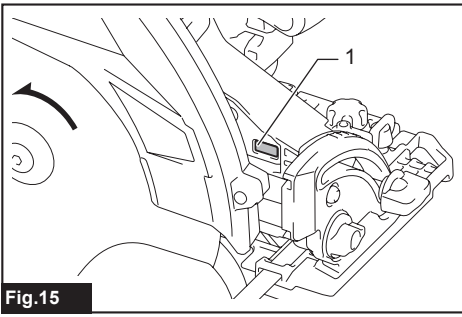


Fig.15

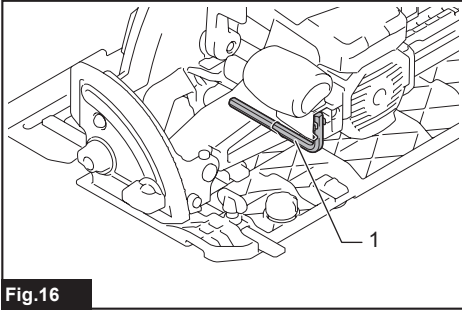


Fig.16

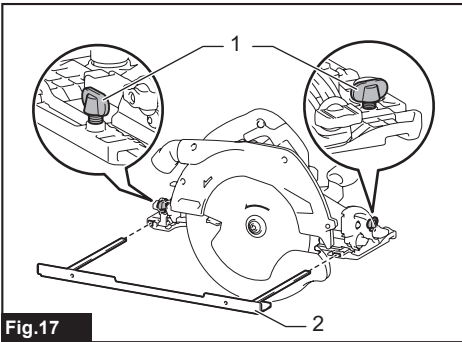


Fig.17

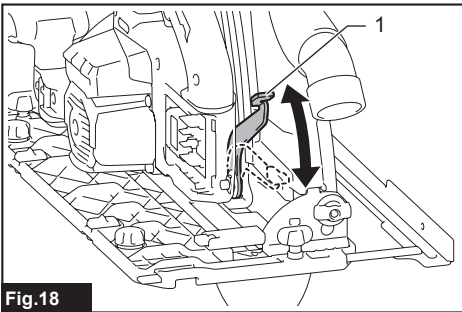


Fig.18

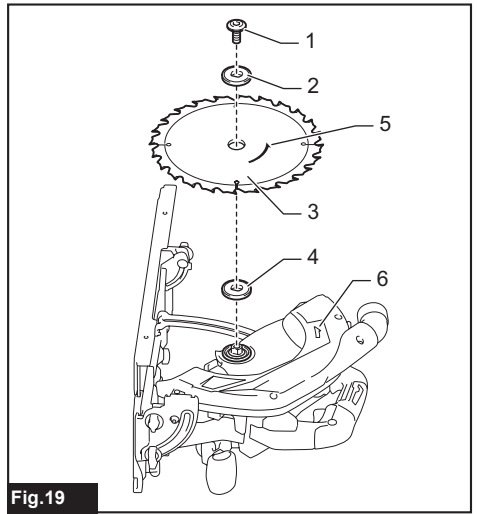


Fig.19

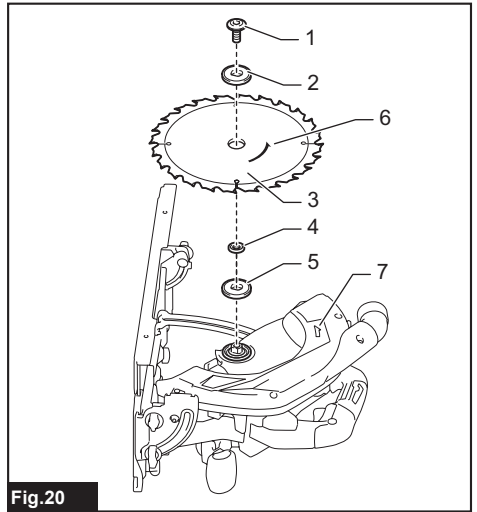


Fig.20

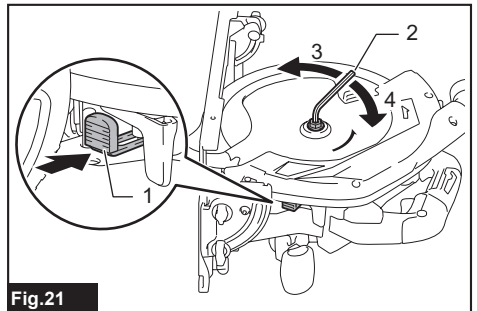


Fig.21



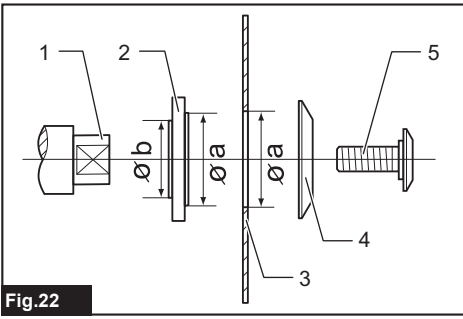


Fig.22

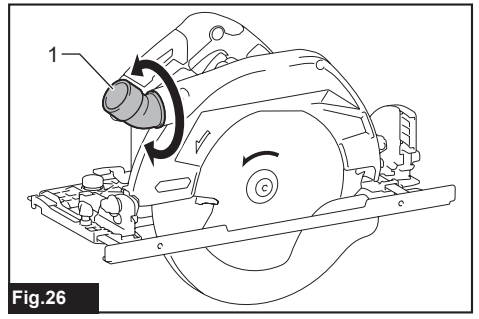


Fig.26

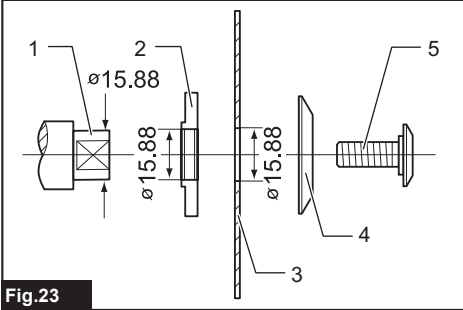


Fig.23

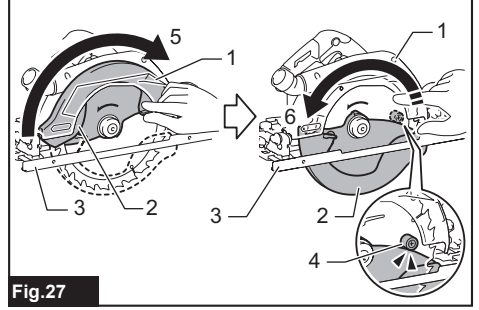


Fig.27

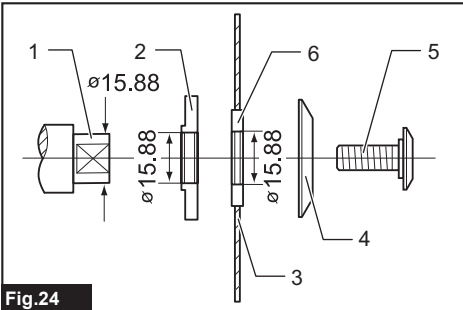


Fig.24

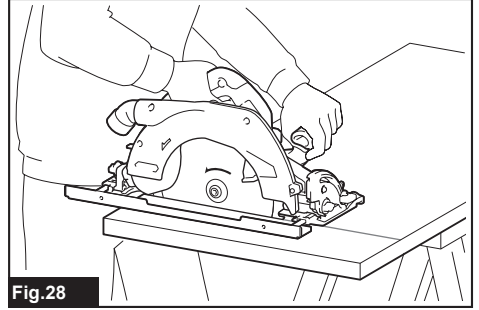


Fig.28

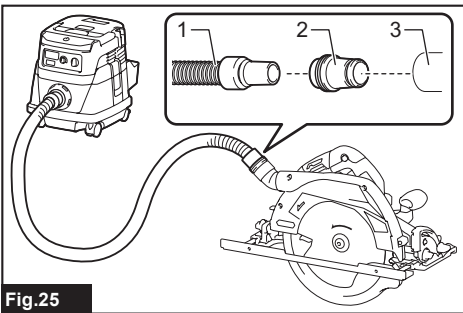


Fig.25

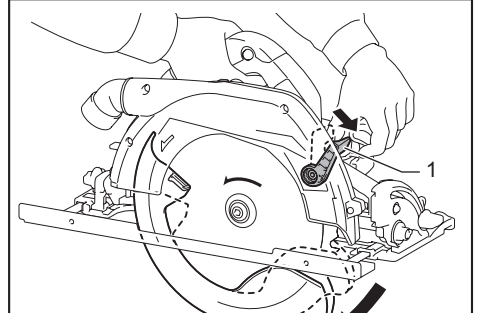


Fig.29

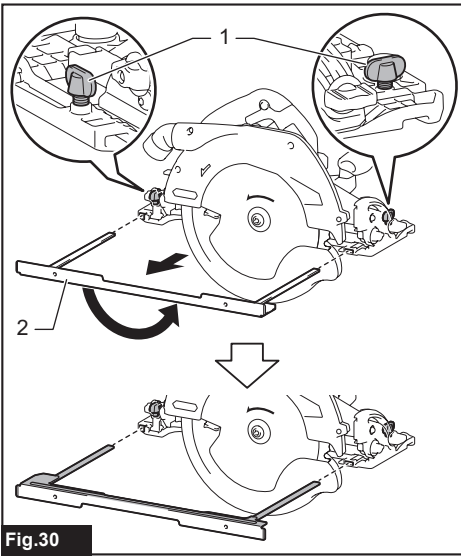


Fig.30

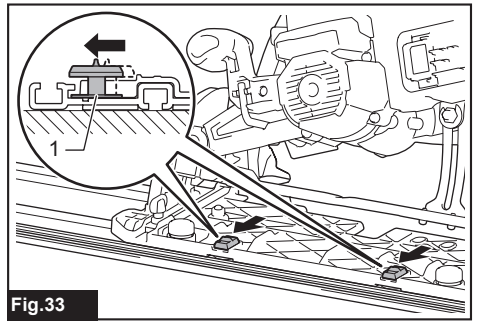


Fig.33

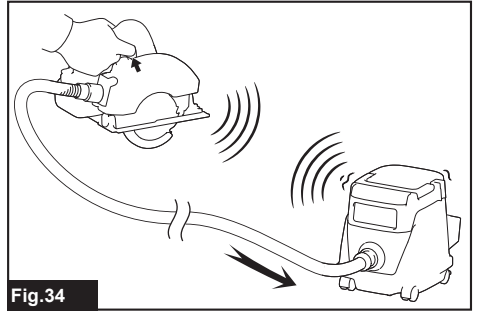


Fig.34

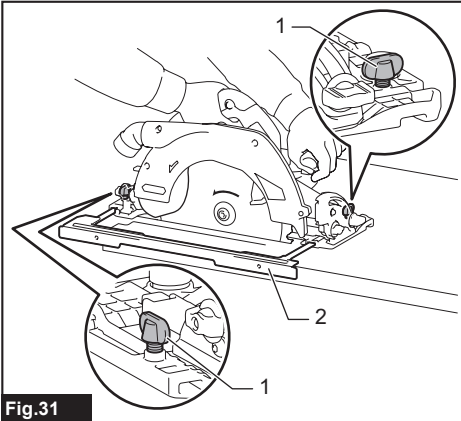


Fig.31

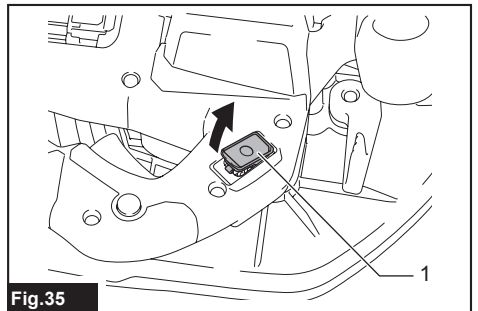


Fig.35

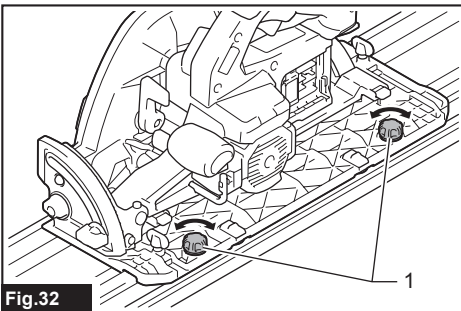


Fig.32

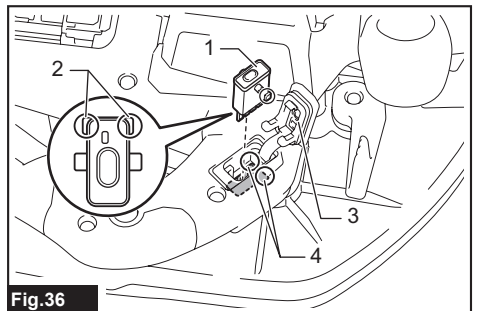


Fig.36

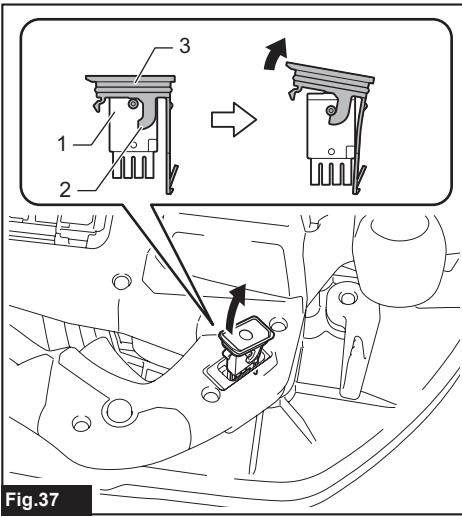


Fig.37

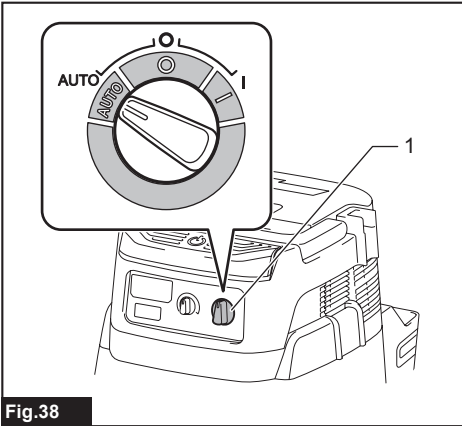


Fig.38

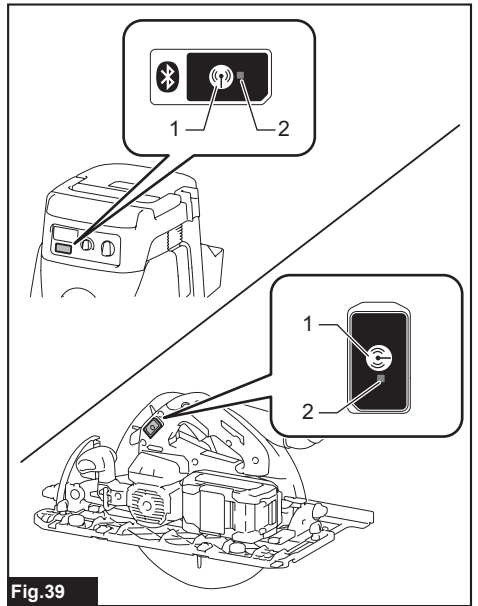


Fig.39

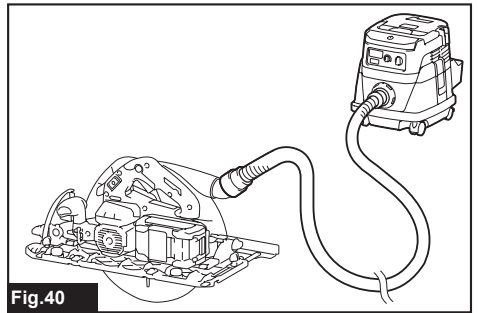


Fig.40

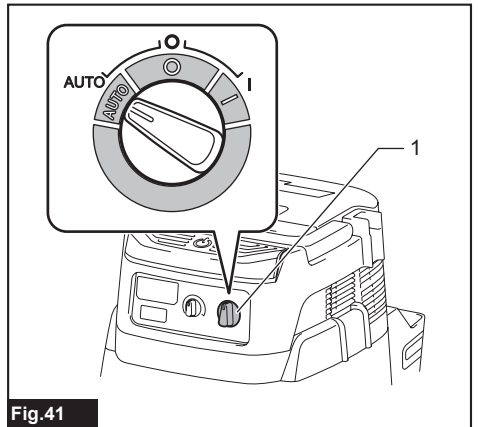


Fig.41

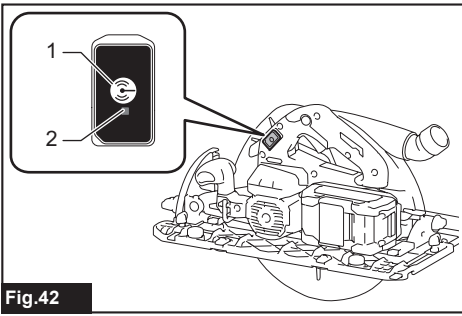


Fig.42

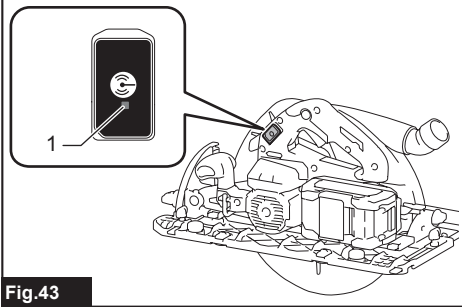


Fig.43

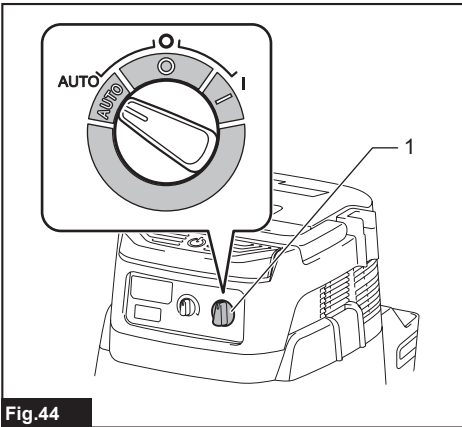


Fig.44

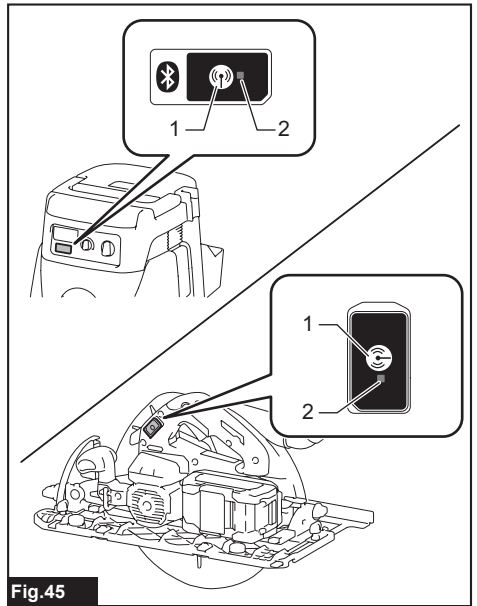


Fig.45

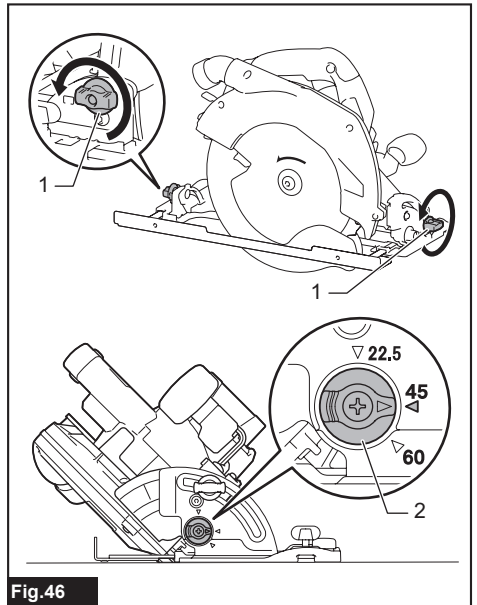


Fig.46

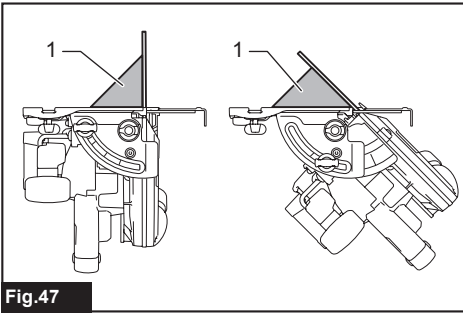


Fig.47

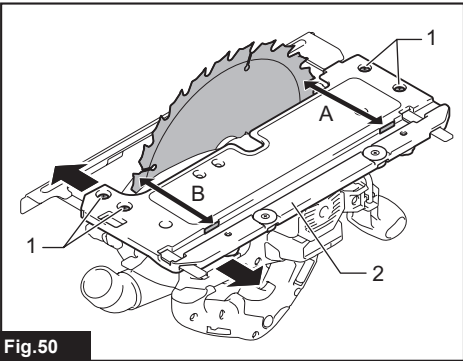


Fig.50

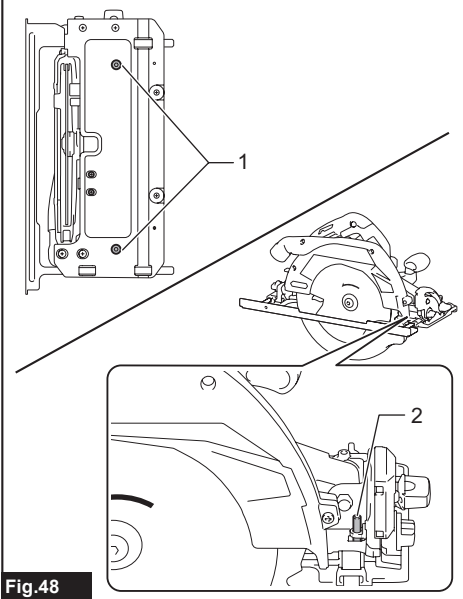


Fig.48

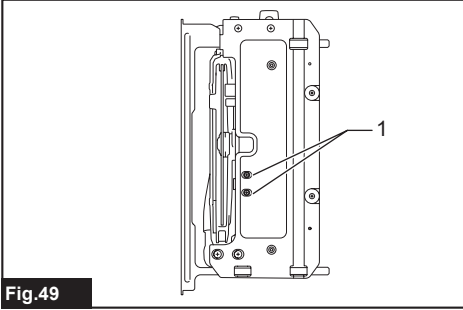


Fig.49

## SPECIFICATIONS

Model:		HS011G		
Blade diameter		255 mm	260 mm	270 mm
Max. Cutting depth	at 0°	94 mm	97 mm	101 mm
	at 45° bevel	65 mm	68 mm	71 mm
	at 60° bevel	45 mm	48 mm	51 mm
No load speed		3,500 min <sup>-1</sup>		
Overall length		453 mm		
Rated voltage		D.C. 36 V - 40 V max		
Net weight		5.5 - 6.7 kg		

- Due to our continuing program of research and development, the specifications herein are subject to change without notice.
- Specifications and battery cartridge may differ from country to country.
- The weight may differ depending on the attachment(s), including the battery cartridge. The lightest and heaviest combinations, according to EPTA-Procedure 01/2014, are shown in the table.

### Applicable battery cartridge and charger

Battery cartridge	BL4020 / BL4025 / BL4040 / BL4050F* / BL4080F* * : Recommended battery
Charger	DC40RA / DC40RB / DC40RC

- Some of the battery cartridges and chargers listed above may not be available depending on your region of residence.

**⚠WARNING:** Only use the battery cartridges and chargers listed above. Use of any other battery cartridges and chargers may cause injury and/or fire.

### Intended use

The tool is intended for performing lengthways and crossways straight cuts and mitre cuts with angles in wood while in firm contact with the workpiece.

### Noise

The typical A-weighted noise level determined according to EN62841-2-5:

Sound pressure level ( $L_{pA}$ ) : 93 dB(A)

Sound power level ( $L_{WA}$ ) : 104 dB (A)

Uncertainty (K) : 3 dB(A)

**NOTE:** The declared noise emission value(s) has been measured in accordance with a standard test method and may be used for comparing one tool with another.

**NOTE:** The declared noise emission value(s) may also be used in a preliminary assessment of exposure.

**⚠WARNING:** Wear ear protection.

**⚠WARNING:** The noise emission during actual use of the power tool can differ from the declared value(s) depending on the ways in which the tool is used especially what kind of workpiece is processed.

**⚠WARNING:** Be sure to identify safety measures to protect the operator that are based on an estimation of exposure in the actual conditions of use (taking account of all parts of the operating cycle such as the times when the tool is switched off and when it is running idle in addition to the trigger time).

### Vibration

The vibration total value (tri-axial vector sum) determined according to EN62841-2-5:

Work mode: cutting wood

Vibration emission ( $a_{h,W}$ ) : 2.5 m/s<sup>2</sup> or less

Uncertainty (K) : 1.5 m/s<sup>2</sup>

**NOTE:** The declared vibration total value(s) has been measured in accordance with a standard test method and may be used for comparing one tool with another.

**NOTE:** The declared vibration total value(s) may also be used in a preliminary assessment of exposure.

**⚠ WARNING:** The vibration emission during actual use of the power tool can differ from the declared value(s) depending on the ways in which the tool is used especially what kind of workpiece is processed.

**⚠ WARNING:** Be sure to identify safety measures to protect the operator that are based on an estimation of exposure in the actual conditions of use (taking account of all parts of the operating cycle such as the times when the tool is switched off and when it is running idle in addition to the trigger time).

## EC Declaration of Conformity

### For European countries only

The EC declaration of conformity is included as Annex A to this instruction manual.

# SAFETY WARNINGS

## General power tool safety warnings

**⚠ WARNING:** Read all safety warnings, instructions, illustrations and specifications provided with this power tool. Failure to follow all instructions listed below may result in electric shock, fire and/or serious injury.

## Save all warnings and instructions for future reference.

The term "power tool" in the warnings refers to your mains-operated (corded) power tool or battery-operated (cordless) power tool.

## Cordless circular saw safety warnings

### Cutting procedures

1. **⚠ DANGER:** Keep hands away from cutting area and the blade. Keep your second hand on auxiliary handle, or motor housing. If both hands are holding the saw, they cannot be cut by the blade.
2. **Do not reach underneath the workpiece.** The guard cannot protect you from the blade below the workpiece.
3. **Adjust the cutting depth to the thickness of the workpiece.** Less than a full tooth of the blade teeth should be visible below the workpiece.
4. **Never hold the workpiece in your hands or across your leg while cutting. Secure the workpiece to a stable platform.** It is important to support the work properly to minimise body exposure, blade binding, or loss of control.

► Fig.1

5. **Hold the power tool by insulated gripping surfaces, when performing an operation where the cutting tool may contact hidden wiring.** Contact with a "live" wire will also make exposed metal parts of the power tool "live" and could give the operator an electric shock.
6. **When ripping, always use a rip fence or straight edge guide.** This improves the accuracy of cut and reduces the chance of blade binding.
7. **Always use blades with correct size and shape (diamond versus round) of arbour holes.** Blades that do not match the mounting hardware of the saw will run off-centre, causing loss of control.
8. **Never use damaged or incorrect blade washers or bolt.** The blade washers and bolt were specially designed for your saw, for optimum performance and safety of operation.

### Kickback causes and related warnings

- kickback is a sudden reaction to a pinched, jammed or misaligned saw blade, causing an uncontrolled saw to lift up and out of the workpiece toward the operator;
- when the blade is pinched or jammed tightly by the kerf closing down, the blade stalls and the motor reaction drives the unit rapidly back toward the operator;
- if the blade becomes twisted or misaligned in the cut, the teeth at the back edge of the blade can dig into the top surface of the wood causing the blade to climb out of the kerf and jump back toward the operator.

Kickback is the result of saw misuse and/or incorrect operating procedures or conditions and can be avoided by taking proper precautions as given below.

1. **Maintain a firm grip with both hands on the saw and position your arms to resist kickback forces. Position your body to either side of the blade, but not in line with the blade.** Kickback could cause the saw to jump backwards, but kickback forces can be controlled by the operator, if proper precautions are taken.
2. **When blade is binding, or when interrupting a cut for any reason, release the trigger and hold the saw motionless in the material until the blade comes to a complete stop. Never attempt to remove the saw from the work or pull the saw backward while the blade is in motion or kickback may occur.** Investigate and take corrective actions to eliminate the cause of blade binding.
3. **When restarting a saw in the workpiece, centre the saw blade in the kerf so that the saw teeth are not engaged into the material.** If a saw blade binds, it may walk up or kickback from the workpiece as the saw is restarted.
4. **Support large panels to minimise the risk of blade pinching and kickback.** Large panels tend to sag under their own weight. Supports must be placed under the panel on both sides, near the line of cut and near the edge of the panel.

► Fig.2

► Fig.3

5. **Do not use dull or damaged blades.**  
Unsharpened or improperly set blades produce narrow kerf causing excessive friction, blade binding and kickback.
6. **Blade depth and bevel adjusting locking levers must be tight and secure before making the cut.** If blade adjustment shifts while cutting, it may cause binding and kickback.
7. **Use extra caution when sawing into existing walls or other blind areas.** The protruding blade may cut objects that can cause kickback.
8. **ALWAYS hold the tool firmly with both hands. NEVER place your hand, leg or any part of your body under the tool base or behind the saw, especially when making cross-cuts.** If kickback occurs, the saw could easily jump backwards over your hand, leading to serious personal injury.

► Fig.4

9. **Never force the saw. Push the saw forward at a speed so that the blade cuts without slowing.**  
Forcing the saw can cause uneven cuts, loss of accuracy, and possible kickback.

**Lower guard function**

1. **Check the lower guard for proper closing before each use. Do not operate the saw if the lower guard does not move freely and close instantly. Never clamp or tie the lower guard into the open position.** If the saw is accidentally dropped, the lower guard may be bent. Raise the lower guard with the retracting handle and make sure it moves freely and does not touch the blade or any other part, in all angles and depths of cut.
2. **Check the operation of the lower guard spring. If the guard and the spring are not operating properly, they must be serviced before use.**  
Lower guard may operate sluggishly due to damaged parts, gummy deposits, or a build-up of debris.
3. **The lower guard may be retracted manually only for special cuts such as “plunge cuts” and “compound cuts”.** Raise the lower guard by the retracting handle and as soon as the blade enters the material, the lower guard must be released. For all other sawing, the lower guard should operate automatically.
4. **Always observe that the lower guard is covering the blade before placing the saw down on bench or floor.** An unprotected, coasting blade will cause the saw to walk backwards, cutting whatever is in its path. Be aware of the time it takes for the blade to stop after switch is released.
5. **To check lower guard, open lower guard by hand, then release and watch guard closure. Also check to see that retracting handle does not touch tool housing.** Leaving blade exposed is VERY DANGEROUS and can lead to serious personal injury.

**Additional safety warnings**

1. **Use extra caution when cutting damp wood, pressure treated lumber, or wood containing knots.** Maintain smooth advancement of tool without decrease in blade speed to avoid overheating the blade tips.

2. **Do not attempt to remove cut material when blade is moving. Wait until blade stops before grasping cut material.** Blades coast after turn off.
3. **Avoid cutting nails. Inspect for and remove all nails from lumber before cutting.**
4. **Place the wider portion of the saw base on that part of the workpiece which is solidly supported, not on the section that will fall off when the cut is made. If the workpiece is short or small, clamp it down. DO NOT TRY TO HOLD SHORT PIECES BY HAND!**

► Fig.5

5. **Before setting the tool down after completing a cut, be sure that the guard has closed and the blade has come to a complete stop.**
6. **Never attempt to saw with the circular saw held upside down in a vise. This is extremely dangerous and can lead to serious accidents.**

► Fig.6

7. **Some material contains chemicals which may be toxic. Take caution to prevent dust inhalation and skin contact. Follow material supplier safety data.**
8. **Do not stop the blades by lateral pressure on the saw blade.**
9. **Do not use any abrasive wheels.**
10. **Only use the saw blade with the diameter that is marked on the tool or specified in the manual.** Use of an incorrectly sized blade may affect the proper guarding of the blade or guard operation which could result in serious personal injury.
11. **Keep blade sharp and clean.** Gum and wood pitch hardened on blades slows saw and increases potential for kickback. Keep blade clean by first removing it from tool, then cleaning it with gum and pitch remover, hot water or kerosene. Never use gasoline.
12. **Wear a dust mask and hearing protection when use the tool.**
13. **Always use the saw blade intended for cutting the material that you are going to cut.**
14. **Only use the saw blades that are marked with a speed equal or higher than the speed marked on the tool.**
15. **(For European countries only)**  
**Always use the blade which conforms to EN847-1.**
16. **Place the tool and the parts on a flat and stable surface.** Otherwise the tool or the parts may fall and cause an injury.

**SAVE THESE INSTRUCTIONS.**

**⚠WARNING:** DO NOT let comfort or familiarity with product (gained from repeated use) replace strict adherence to safety rules for the subject product. MISUSE or failure to follow the safety rules stated in this instruction manual may cause serious personal injury.



## Important safety instructions for battery cartridge

1. Before using battery cartridge, read all instructions and cautionary markings on (1) battery charger, (2) battery, and (3) product using battery.
2. Do not disassemble or tamper with the battery cartridge. It may result in a fire, excessive heat, or explosion.
3. If operating time has become excessively shorter, stop operating immediately. It may result in a risk of overheating, possible burns and even an explosion.
4. If electrolyte gets into your eyes, rinse them out with clear water and seek medical attention right away. It may result in loss of your eyesight.
5. Do not short the battery cartridge:
  - (1) Do not touch the terminals with any conductive material.
  - (2) Avoid storing battery cartridge in a container with other metal objects such as nails, coins, etc.
  - (3) Do not expose battery cartridge to water or rain.

A battery short can cause a large current flow, overheating, possible burns and even a breakdown.

6. Do not store and use the tool and battery cartridge in locations where the temperature may reach or exceed 50 °C (122 °F).
7. Do not incinerate the battery cartridge even if it is severely damaged or is completely worn out. The battery cartridge can explode in a fire.
8. Do not nail, cut, crush, throw, drop the battery cartridge, or hit against a hard object to the battery cartridge. Such conduct may result in a fire, excessive heat, or explosion.
9. Do not use a damaged battery.
10. The contained lithium-ion batteries are subject to the Dangerous Goods Legislation requirements.

For commercial transports e.g. by third parties, forwarding agents, special requirement on packaging and labeling must be observed.  
For preparation of the item being shipped, consulting an expert for hazardous material is required. Please also observe possibly more detailed national regulations.  
Tape or mask off open contacts and pack up the battery in such a manner that it cannot move around in the packaging.
11. When disposing the battery cartridge, remove it from the tool and dispose of it in a safe place. Follow your local regulations relating to disposal of battery.
12. Use the batteries only with the products specified by Makita. Installing the batteries to non-compliant products may result in a fire, excessive heat, explosion, or leak of electrolyte.
13. If the tool is not used for a long period of time, the battery must be removed from the tool.

14. During and after use, the battery cartridge may take on heat which can cause burns or low temperature burns. Pay attention to the handling of hot battery cartridges.
15. Do not touch the terminal of the tool immediately after use as it may get hot enough to cause burns.
16. Do not allow chips, dust, or soil stuck into the terminals, holes, and grooves of the battery cartridge. It may cause heating, catching fire, burst and malfunction of the tool or battery cartridge, resulting in burns or personal injury.
17. Unless the tool supports the use near high-voltage electrical power lines, do not use the battery cartridge near a high-voltage electrical power lines. It may result in a malfunction or breakdown of the tool or battery cartridge.
18. Keep the battery away from children.

## SAVE THESE INSTRUCTIONS.

**⚠ CAUTION:** Only use genuine Makita batteries. Use of non-genuine Makita batteries, or batteries that have been altered, may result in the battery bursting causing fires, personal injury and damage. It will also void the Makita warranty for the Makita tool and charger.

## Tips for maintaining maximum battery life

1. Charge the battery cartridge before completely discharged. Always stop tool operation and charge the battery cartridge when you notice less tool power.
2. Never recharge a fully charged battery cartridge. Overcharging shortens the battery service life.
3. Charge the battery cartridge with room temperature at 10 °C - 40 °C (50 °F - 104 °F). Let a hot battery cartridge cool down before charging it.
4. When not using the battery cartridge, remove it from the tool or the charger.
5. Charge the battery cartridge if you do not use it for a long period (more than six months).

## Important safety instructions for wireless unit

1. Do not disassemble or tamper with the wireless unit.
2. Keep the wireless unit away from young children. If accidentally swallowed, seek medical attention immediately.
3. Use the wireless unit only with Makita tools.
4. Do not expose the wireless unit to rain or wet conditions.
5. Do not use the wireless unit in places where the temperature exceeds 50 °C (122 °F).
6. Do not operate the wireless unit in places where medical instruments, such as heart pace makers are nearby.

7. **Do not operate the wireless unit in places where automated devices are nearby.** If operated, automated devices may develop malfunction or error.
8. **Do not operate the wireless unit in places under high temperature or places where static electricity or electrical noise could be generated.**
9. **The wireless unit can produce electromagnetic fields (EMF) but they are not harmful to the user.**
10. **The wireless unit is an accurate instrument. Be careful not to drop or strike the wireless unit.**
11. **Avoid touching the terminal of the wireless unit with bare hands or metallic materials.**
12. **Always remove the battery on the product when installing the wireless unit into it.**
13. **When opening the lid of the slot, avoid the place where dust and water may come into the slot. Always keep the inlet of the slot clean.**
14. **Always insert the wireless unit in the correct direction.**
15. **Do not press the wireless activation button on the wireless unit too hard and/or press the button with an object with a sharp edge.**
16. **Always close the lid of the slot when operating.**
17. **Do not remove the wireless unit from the slot while the power is being supplied to the tool.**  
Doing so may cause a malfunction of the wireless unit.
18. **Do not remove the sticker on the wireless unit.**
19. **Do not put any sticker on the wireless unit.**
20. **Do not leave the wireless unit in a place where static electricity or electrical noise could be generated.**
21. **Do not leave the wireless unit in a place subject to high heat, such as a car sitting in the sun.**
22. **Do not leave the wireless unit in a dusty or powdery place or in a place corrosive gas could be generated.**
23. **Sudden change of the temperature may bedew the wireless unit. Do not use the wireless unit until the dew is completely dried.**
24. **When cleaning the wireless unit, gently wipe with a dry soft cloth. Do not use benzine, thinner, conductive grease or the like.**
25. **When storing the wireless unit, keep it in the supplied case or a static-free container.**
26. **Do not insert any devices other than Makita wireless unit into the slot on the tool.**
27. **Do not use the tool with the lid of the slot damaged.** Water, dust, and dirt come into the slot may cause malfunction.
28. **Do not pull and/or twist the lid of the slot more than necessary.** Restore the lid if it comes off from the tool.
29. **Replace the lid of the slot if it is lost or damaged.**

## SAVE THESE INSTRUCTIONS.

## FUNCTIONAL DESCRIPTION

**CAUTION:** Always be sure that the tool is switched off and the battery cartridge is removed before adjusting or checking function on the tool.

### Installing or removing battery cartridge

**CAUTION:** Always switch off the tool before installing or removing of the battery cartridge.

**CAUTION:** Hold the tool and the battery cartridge firmly when installing or removing battery cartridge. Failure to hold the tool and the battery cartridge firmly may cause them to slip off your hands and result in damage to the tool and battery cartridge and a personal injury.

► Fig.7: 1. Red indicator 2. Button 3. Battery cartridge

To remove the battery cartridge, slide it from the tool while sliding the button on the front of the cartridge.

To install the battery cartridge, align the tongue on the battery cartridge with the groove in the housing and slip it into place. Insert it all the way until it locks in place with a little click. If you can see the red indicator as shown in the figure, it is not locked completely.

**CAUTION:** Always install the battery cartridge fully until the red indicator cannot be seen. If not, it may accidentally fall out of the tool, causing injury to you or someone around you.

**CAUTION:** Do not install the battery cartridge forcibly. If the cartridge does not slide in easily, it is not being inserted correctly.

### Tool / battery protection system

The tool is equipped with a tool/battery protection system. This system automatically cuts off power to the motor to extend tool and battery life. The tool will automatically stop during operation if the tool or battery is placed under one of the following conditions.

#### Overload protection

When the tool/battery is operated in a manner that causes it to draw an abnormally high current, the tool automatically stops. In this situation, turn the tool off and stop the application that caused the tool to become overloaded. Then turn the tool on to restart.

#### Overheat protection

When the tool/battery is overheated, the tool stops automatically. In this situation, let the tool cool down before turning the tool on again.

**NOTE:** When the tool is overheated, the lamp blinks.

## Overdischarge protection

When the battery capacity becomes low, the tool stops automatically. If the product does not operate even when the switches are operated, remove the batteries from the tool and charge the batteries.

## Protections against other causes

Protection system is also designed for other causes that could damage the tool and allows the tool to stop automatically. Take all the following steps to clear the causes, when the tool has been brought to a temporary halt or stop in operation.

1. Turn the tool off, and then turn it on again to restart.
2. Charge the battery(ies) or replace it/them with recharged battery(ies).
3. Let the tool and battery(ies) cool down.

If no improvement can be found by restoring protection system, then contact your local Makita Service Center.

## Indicating the remaining battery capacity

Press the check button on the battery cartridge to indicate the remaining battery capacity. The indicator lamps light up for a few seconds.

► **Fig.8:** 1. Indicator lamps 2. Check button

Indicator lamps			Remaining capacity
Lighted	Off	Blinking	
■	□	▧	75% to 100%
■ ■ ■ ■			
■ ■ ■	□		50% to 75%
■ ■	□ □		25% to 50%
■	□ □ □		0% to 25%
▧	□ □ □		Charge the battery.
■ ■ □ □	□ □		The battery may have malfunctioned.
□ □ ■ ■		↑ ↓	

**NOTE:** Depending on the conditions of use and the ambient temperature, the indication may differ slightly from the actual capacity.

**NOTE:** The first (far left) indicator lamp will blink when the battery protection system works.

## Switch action

**⚠WARNING:** Before installing the battery cartridge into the tool, always check to see that the switch trigger actuates properly and returns to the "OFF" position when released.

**⚠WARNING:** NEVER defeat the lock-off button by taping down or some other means. A switch with a negated lock-off button may result in unintentional operation and serious personal injury.

**⚠WARNING:** NEVER use the tool if it runs when you simply pull the switch trigger without pressing the lock-off button. A switch in need of repair may result in unintentional operation and serious personal injury. Return tool to a Makita service center for proper repairs BEFORE further usage.

To prevent the switch trigger from being accidentally pulled, a lock-off button is provided. To start the tool, depress the lock-off button and pull the switch trigger. Release the switch trigger to stop.

► **Fig.9:** 1. Switch trigger 2. Lock-off button

**NOTICE:** Do not pull the switch trigger hard without pressing in the lock-off button. This can cause switch breakage.

**⚠CAUTION:** The tool starts to brake the circular saw blade rotation immediately after you release the switch trigger. Hold the tool firmly to respond the reaction of the brake when releasing the switch trigger. Sudden reaction can drop the tool off your hand and can cause a personal injury.

## Adjusting depth of cut

**⚠CAUTION:** After adjusting the depth of cut, always tighten the lever securely.

Loosen the lever on the depth guide and move the base up or down. At the desired depth of cut, secure the base by tightening the lever.

For cleaner, safer cuts, set cut depth so that no more than one blade tooth projects below workpiece. Using proper cut depth helps to reduce potential for dangerous KICKBACKS which can cause personal injury.

► **Fig.10:** 1. Lever

**NOTICE:** If the base doesn't slide up or down smoothly, the depth guide may have been tilted. In this case, adjust the depth guide (refer the section about adjusting the depth guide).

## Bevel cutting

**⚠CAUTION:** After adjusting the bevel angle, always tighten the clamping screws securely.

Loosen the clamping screws. Set for the desired angle by tilting accordingly, then tighten the clamping screws securely.

► **Fig.11:** 1. Clamping screw

## Positive stopper

The positive stopper is useful for setting the designated angle quickly. Turn the positive stopper so that the arrow on it points your desired bevel angle (around 22.5°/45°/60°). Loosen the lever and then tilt the tool base until it stops. The position where the tool base stops is the angle you set with the positive stopper. Tighten the lever with the tool base at this position.

► Fig.12: 1. Positive stopper

## -1°-bevel cutting

To perform -1°-bevel cutting, loosen the clamping screws and press the levers toward the direction of the arrow in the figure. Then set the bevel angle to -1° and tighten the clamping screws.

► Fig.13: 1. Lever

## Sighting

For straight cuts, align the 0° position on the front of the base with your cutting line. For 45° bevel cuts, align the 45° position with it.

► Fig.14: 1. Cutting line (0° position) 2. Cutting line (45° position)

## Lighting the lamp

**CAUTION:** Do not look in the light or see the source of light directly.

To turn on the lamp without running the tool, pull the switch trigger without pressing the lock-off button. To turn on the lamp with the tool running, press and hold the lock-off button and pull the switch trigger. The lamp goes out 10 seconds after releasing the switch trigger.

► Fig.15: 1. Lamp

**NOTE:** Use a dry cloth to wipe the dirt off the lens of the lamp. Be careful not to scratch the lens of lamp, or it may lower the illumination.

## Electric brake

This tool is equipped with an electric blade brake. If the tool consistently fails to quickly stop the circular saw blade after switch lever release, have tool serviced at a Makita service center.

**CAUTION:** The blade brake system is not a substitute for blade guard. NEVER USE TOOL WITHOUT A FUNCTIONING BLADE GUARD. SERIOUS PERSONAL INJURY CAN RESULT.

## Electronic function

The tools equipped with electronic function are easy to operate because of the following feature(s).

### Soft start feature

Soft start because of suppressed starting shock.

### Constant speed control

Electronic speed control for obtaining constant speed. Possible to get fine finish, because the rotating speed is kept constant even under load condition.

## ASSEMBLY

**CAUTION:** Always be sure that the tool is switched off and the battery cartridge is removed before carrying out any work on the tool.

## Hex wrench storage

When not in use, store the hex wrench as shown in the figure to keep it from being lost.

► Fig.16: 1. Hex wrench

## Installing sub base

Install the sub base and tighten the clamping screws securely as shown in the figure.

Always use the tool with the sub base unless when using the guide rail.

► Fig.17: 1. Clamping screw 2. Sub base

## Installing or removing circular saw blade

**CAUTION:** Be sure the circular saw blade is installed with teeth pointing up at the front of the tool.

**CAUTION:** Use only the Makita wrench to install or remove the circular saw blade.

1. Loosen the lever on the depth guide and move the blade down.

► Fig.18: 1. Lever

2. Install the inner flange, ring (country specific), circular saw blade, outer flange and hex bolt. At this time, align the direction of the arrow on the blade with the arrow on the tool.

### For tool without the ring

► Fig.19: 1. Hex bolt 2. Outer flange 3. Circular saw blade 4. Inner flange 5. Arrow on the circular saw blade 6. Arrow on the tool

### For tool with the ring

► Fig.20: 1. Hex bolt 2. Outer flange 3. Circular saw blade 4. Ring 5. Inner flange 6. Arrow on the circular saw blade 7. Arrow on the tool

3. Press the shaft lock fully so that the circular saw blade cannot revolve and use the hex wrench to tighten the hex bolt.

► Fig.21: 1. Shaft lock 2. Hex wrench 3. Loosen 4. Tighten

To remove the circular saw blade, follow the installation procedure in reverse.

## For tool with the inner flange for other than 15.88 mm hole-diameter saw blade

The inner flange has a certain diameter protrusion on one side of it and a different diameter protrusion on the other side. Choose a correct side on which protrusion fits into the saw blade hole perfectly. Mount the inner flange onto the mounting shaft so that the correct side of protrusion on the inner flange faces outward and then place saw blade and outer flange.

► **Fig.22:** 1. Mounting shaft 2. Inner flange 3. Circular saw blade 4. Outer flange 5. Hex bolt

**▲WARNING: BE SURE TO TIGHTEN THE HEX BOLT CLOCKWISE SECURELY. Also be careful not to tighten the bolt forcibly. Slipping your hand from the hex wrench can cause a personal injury.**

**▲WARNING: Make sure that the protrusion "a" on the inner flange that is positioned outside fits into the saw blade hole "a" perfectly.** Mounting the blade on the wrong side can result in the dangerous vibration.

## For tool with the inner flange for a 15.88 mm hole-diameter saw blade (country specific)

Mount the inner flange with its recessed side facing outward onto the mounting shaft and then place circular saw blade (with the ring attached if needed), outer flange and hex bolt.

### For tool without the ring

► **Fig.23:** 1. Mounting shaft 2. Inner flange 3. Circular saw blade 4. Outer flange 5. Hex bolt

### For tool with the ring

► **Fig.24:** 1. Mounting shaft 2. Inner flange 3. Circular saw blade 4. Outer flange 5. Hex bolt 6. Ring

**▲WARNING: BE SURE TO TIGHTEN THE HEX BOLT CLOCKWISE SECURELY. Also be careful not to tighten the bolt forcibly. Slipping your hand from the hex wrench can cause a personal injury.**

**▲WARNING: If the ring is needed to mount the blade onto the spindle, always be sure that the correct ring for the blade's arbor hole you intend to use is installed between the inner and the outer flanges.** Use of the incorrect arbor hole ring may result in the improper mounting of the blade causing blade movement and severe vibration resulting in possible loss of control during operation and in serious personal injury.

## Blade guard cleaning

When changing the circular saw blade, make sure to also clean the upper and lower blade guards of accumulated sawdust as discussed in the Maintenance section. Such efforts do not replace the need to check lower guard operation before each use.

## Connecting a vacuum cleaner

### Optional accessory

When you wish to perform clean cutting operation, connect a Makita vacuum cleaner to your tool. Connect a hose of the vacuum cleaner to the dust nozzle using the front cuff 24.

► **Fig.25:** 1. Hose of the vacuum cleaner 2. Front cuff 24 3. Dust nozzle

## Adjusting angle of dust nozzle

The angle of the dust nozzle can be adjusted by rotating the dust nozzle.

When operating the tool without connecting a vacuum cleaner, bring the dust nozzle downward to prevent the operator from being exposed to sawdust.

When operating the tool with connecting a vacuum cleaner, bring the dust nozzle upward to keep the hose of the vacuum cleaner from getting caught in the work-piece or the guide rail.

► **Fig.26:** 1. Dust nozzle

## OPERATION

This tool is intended to cut wood products only.

Refer to our website or contact your local Makita dealer for the correct circular saw blades to be used for the material to be cut.

Do not use the tool without the sub base unless when using the guide rail.

## Checking blade guard function

Remove the battery cartridge.

Set the bevel angle to 0°, and then retract the lower guard manually to the end and release it. The lower guard is properly functioning if;

- it is retracted above the base without any hindrance and;
- it automatically returns and contacts with the stopper.

► **Fig.27:** 1. Upper guard 2. Lower guard 3. Base 4. Stopper 5. Open 6. Close

If the lower guard is not functioning properly, check if saw dust is accumulated inside of the upper and lower guards. If the lower guard is not functioning properly even after removing dust, have your tool serviced at a Makita service center.

## Cutting operation

**⚠ CAUTION:** Wear dust mask when performing cutting operation.

**⚠ CAUTION:** Be sure to move the tool forward in a straight line gently. Forcing or twisting the tool will result in overheating the motor and dangerous kickback, possibly causing severe injury.

**NOTE:** When the battery cartridge temperature is low, the tool may not work to its full capacity. At this time, for example, use the tool for a light-duty cut for a while until the battery cartridge warms up as high as room temperature. Then, the tool can work to its full capacity.

### ► Fig.28

Hold the tool firmly. The tool is provided with both a front grip and rear handle. Use both to best grasp the tool. If both hands are holding saw, they cannot be cut by the circular saw blade. Set the base on the workpiece to be cut without the circular saw blade making any contact. Then turn the tool on and wait until the circular saw blade attains full speed. Now simply move the tool forward over the workpiece surface, keeping it flat and advancing smoothly until the sawing is completed.

To get clean cuts, keep your sawing line straight and your speed of advance uniform. If the cut fails to properly follow your intended cut line, do not attempt to turn or force the tool back to the cut line. Doing so may bind the circular saw blade and lead to dangerous kickback and possible serious injury. Release switch, wait for circular saw blade to stop and then withdraw tool. Realign tool on new cut line, and start cut again. Attempt to avoid positioning which exposes operator to chips and wood dust being ejected from saw. Use eye protection to help avoid injury.

**NOTE:** When making a miter cuts etc., sometimes the lower guard does not move easily. At that time, use the retracting lever to raise the lower guard for starting cut and as soon as blade enters the material, release the retracting lever.

### ► Fig.29: 1. Retracting lever

## Sub base (Guide rule)

**⚠ CAUTION:** Make sure that the sub base (guide rule) is securely installed in the correct position before use. Improper attachment may cause dangerous kickback.

By using the sub base as a guide rule, you can perform extra-accurate straight cuts. Loosen the clamping screws and slide the sub base out from the tool then insert it upside down.

### ► Fig.30: 1. Clamping screw 2. Sub base

Simply slide the fence of the sub base snugly against the side of the workpiece and secure it in position with the clamping screws. It also makes repeated cuts of uniform width possible.

### ► Fig.31: 1. Clamping screw 2. Sub base

## Guide rail

### Optional accessory

**⚠ CAUTION:** Always be sure that the tool is switched off and the battery cartridge is removed before loosening the adjusting screws on the tool base.

**NOTICE:** Remove the sub base when using the guide rail.

Place the tool on the rear end of guide rail. Turn two adjusting screws on the tool base so that the tool slides smoothly without a clatter. Hold both the front grip and rear handle of the tool firmly. Install the battery cartridge. Turn on the tool and cut the splinter-guard along the full length with a stroke. Now the edge of the splinter-guard corresponds to the cutting edge.

### ► Fig.32: 1. Adjusting screws

When bevel cutting with the guide rail, use the slide lever to prevent the tool from falling over. Move the slide lever on the tool base in the direction of arrow so that it engages the undercut groove in the guide rail.

### ► Fig.33: 1. Slide lever

## WIRELESS ACTIVATION FUNCTION

### What you can do with the wireless activation function

The wireless activation function enables clean and comfortable operation. By connecting a supported vacuum cleaner to the tool, you can run the vacuum cleaner automatically along with the switch operation of the tool.

### ► Fig.34

To use the wireless activation function, prepare following items:

- A wireless unit (optional accessory)
- A vacuum cleaner which supports the wireless activation function

The overview of the wireless activation function setting is as follows. Refer to each section for detail procedures.

1. Installing the wireless unit
2. Tool registration for the vacuum cleaner
3. Starting the wireless activation function



## Installing the wireless unit

### Optional accessory

**CAUTION:** Place the tool on a flat and stable surface when installing the wireless unit.

**NOTICE:** Clean the dust and dirt on the tool before installing the wireless unit. Dust or dirt may cause malfunction if it comes into the slot of the wireless unit.

**NOTICE:** To prevent the malfunction caused by static, touch a static discharging material, such as a metal part of the tool, before picking up the wireless unit.

**NOTICE:** When installing the wireless unit, always be sure that the wireless unit is inserted in the correct direction and the lid is completely closed.

1. Open the lid on the tool as shown in the figure.  
▶ **Fig.35:** 1. Lid
2. Insert the wireless unit to the slot and then close the lid.

When inserting the wireless unit, align the projections with the recessed portions on the slot.

- ▶ **Fig.36:** 1. Wireless unit 2. Projection 3. Lid  
4. Recessed portion

When removing the wireless unit, open the lid slowly. The hooks on the back of the lid will lift the wireless unit as you pull up the lid.

- ▶ **Fig.37:** 1. Wireless unit 2. Hook 3. Lid

After removing the wireless unit, keep it in the supplied case or a static-free container.

**NOTICE:** Always use the hooks on the back of the lid when removing the wireless unit. If the hooks do not catch the wireless unit, close the lid completely and open it slowly again.

## Tool registration for the vacuum cleaner

**NOTE:** A Makita vacuum cleaner supporting the wireless activation function is required for the tool registration.

**NOTE:** Finish installing the wireless unit to the tool before starting the tool registration.

**NOTE:** During the tool registration, do not pull the switch trigger or turn on the power switch on the vacuum cleaner.

**NOTE:** Refer to the instruction manual of the vacuum cleaner, too.

If you wish to activate the vacuum cleaner along with the switch operation of the tool, finish the tool registration beforehand.

1. Install the batteries to the vacuum cleaner and the tool.
2. Set the stand-by switch on the vacuum cleaner to "AUTO".  
▶ **Fig.38:** 1. Stand-by switch

3. Press the wireless activation button on the vacuum cleaner for 3 seconds until the wireless activation lamp blinks in green. And then press the wireless activation button on the tool in the same way.

▶ **Fig.39:** 1. Wireless activation button 2. Wireless activation lamp

If the vacuum cleaner and the tool are linked successfully, the wireless activation lamps will light up in green for 2 seconds and start blinking in blue.

**NOTE:** The wireless activation lamps finish blinking in green after 20 seconds elapsed. Press the wireless activation button on the tool while the wireless activation lamp on the cleaner is blinking. If the wireless activation lamp does not blink in green, push the wireless activation button briefly and hold it down again.

**NOTE:** When performing two or more tool registrations for one vacuum cleaner, finish the tool registration one by one.

## Starting the wireless activation function

**NOTE:** Finish the tool registration for the vacuum cleaner prior to the wireless activation.

**NOTE:** Refer to the instruction manual of the vacuum cleaner, too.

After registering a tool to the vacuum cleaner, the vacuum cleaner will automatically runs along with the switch operation of the tool.

1. Install the wireless unit to the tool.
2. Connect the hose of the vacuum cleaner with the tool.  
▶ **Fig.40**

3. Set the stand-by switch on the vacuum cleaner to "AUTO".

▶ **Fig.41:** 1. Stand-by switch

4. Push the wireless activation button on the tool briefly. The wireless activation lamp will blink in blue.

▶ **Fig.42:** 1. Wireless activation button 2. Wireless activation lamp

5. Turn on the tool. Check if the vacuum cleaner runs while the tool is operating.

To stop the wireless activation of the vacuum cleaner, push the wireless activation button on the tool.

**NOTE:** The wireless activation lamp on the tool will stop blinking in blue when there is no operation for 2 hours. In this case, set the stand-by switch on the vacuum cleaner to "AUTO" and push the wireless activation button on the tool again.

**NOTE:** The vacuum cleaner starts/stops with a delay. There is a time lag when the vacuum cleaner detects a switch operation of the tool.










**NOTE:** The transmission distance of the wireless unit may vary depending on the location and surrounding circumstances.

**NOTE:** When two or more tools are registered to one vacuum cleaner, the vacuum cleaner may start running even if you do not turn on your tool because another user is using the wireless activation function.

## Description of the wireless activation lamp status

### ► Fig.43: 1. Wireless activation lamp

The wireless activation lamp shows the status of the wireless activation function. Refer to the table below for the meaning of the lamp status.

Status	Wireless activation lamp				Description
	Color	 On	 Blinking	Duration	
Standby	Blue			2 hours	The wireless activation of the vacuum cleaner is available. The lamp will automatically turn off when no operation is performed for 2 hours.
				When the tool is running.	The wireless activation of the vacuum cleaner is available and the tool is running.
Tool registration	Green			20 seconds	Ready for the tool registration. Waiting for the registration by the vacuum cleaner.
				2 seconds	The tool registration has been finished. The wireless activation lamp will start blinking in blue.
Cancelling tool registration	Red			20 seconds	Ready for the cancellation of the tool registration. Waiting for the cancellation by the vacuum cleaner.
				2 seconds	The cancellation of the tool registration has been finished. The wireless activation lamp will start blinking in blue.
Others	Red			3 seconds	The power is supplied to the wireless unit and the wireless activation function is starting up.
	Off	-		-	The wireless activation of the vacuum cleaner is stopped.

## Cancelling tool registration for the vacuum cleaner

Perform the following procedure when cancelling the tool registration for the vacuum cleaner.

1. Install the batteries to the vacuum cleaner and the tool.
2. Set the stand-by switch on the vacuum cleaner to "AUTO".

### ► Fig.44: 1. Stand-by switch

3. Press the wireless activation button on the vacuum cleaner for 6 seconds. The wireless activation lamp blinks in green and then become red. After that, press the wireless activation button on the tool in the same way.

### ► Fig.45: 1. Wireless activation button 2. Wireless activation lamp

If the cancellation is performed successfully, the wireless activation lamps will light up in red for 2 seconds and start blinking in blue.

**NOTE:** The wireless activation lamps finish blinking in red after 20 seconds elapsed. Press the wireless activation button on the tool while the wireless activation lamp on the cleaner is blinking. If the wireless activation lamp does not blink in red, push the wireless activation button briefly and hold it down again.



## Troubleshooting for wireless activation function

Before asking for repairs, conduct your own inspection first. If you find a problem that is not explained in the manual, do not attempt to dismantle the tool. Instead, ask Makita Authorized Service Centers, always using Makita replacement parts for repairs.

State of abnormality	Probable cause (malfunction)	Remedy
The wireless activation lamp does not light/blink.	The wireless unit is not installed into the tool. The wireless unit is improperly installed into the tool.	Install the wireless unit correctly.
	The terminal of the wireless unit and/or the slot is dirty.	Gently wipe off dust and dirt on the terminal of the wireless unit and clean the slot.
	The wireless activation button on the tool has not been pushed.	Push the wireless activation button on the tool briefly.
	The stand-by switch on the vacuum cleaner is not set to "AUTO".	Set the stand-by switch on the vacuum cleaner to "AUTO".
	No power supply	Supply the power to the tool and the vacuum cleaner.
Cannot finish tool registration / cancelling tool registration successfully.	The wireless unit is not installed into the tool. The wireless unit is improperly installed into the tool.	Install the wireless unit correctly.
	The terminal of the wireless unit and/or the slot is dirty.	Gently wipe off dust and dirt on the terminal of the wireless unit and clean the slot.
	The stand-by switch on the vacuum cleaner is not set to "AUTO".	Set the stand-by switch on the vacuum cleaner to "AUTO".
	No power supply	Supply the power to the tool and the vacuum cleaner.
	Incorrect operation	Push the wireless activation button briefly and perform the tool registration/cancellation procedures again.
	The tool and vacuum cleaner are away from each other (out of the transmission range).	Get the tool and vacuum cleaner closer to each other. The maximum transmission distance is approximately 10 m however it may vary according to the circumstances.
	Before finishing the tool registration/cancellation; - the switch of the tool is turned on or; - the power button on the vacuum cleaner is turned on.	Push the wireless activation button briefly and perform the tool registration/cancellation procedures again.
	The tool registration procedures for the tool or vacuum cleaner have not finished.	Perform the tool registration procedures for both the tool and the vacuum cleaner at the same timing.
	Radio disturbance by other appliances which generate high-intensity radio waves.	Keep the tool and vacuum cleaner away from the appliances such as Wi-Fi devices and microwave ovens.
The vacuum cleaner does not run along with the switch operation of the tool.	The wireless unit is not installed into the tool. The wireless unit is improperly installed into the tool.	Install the wireless unit correctly.
	The terminal of the wireless unit and/or the slot is dirty.	Gently wipe off dust and dirt on the terminal of the wireless unit and clean the slot.
	The wireless activation button on the tool has not been pushed.	Push the wireless activation button briefly and make sure that the wireless activation lamp is blinking in blue.
	The stand-by switch on the vacuum cleaner is not set to "AUTO".	Set the stand-by switch on the vacuum cleaner to "AUTO".
	More than 10 tools are registered to the vacuum cleaner.	Perform the tool registration again. If more than 10 tools are registered to the vacuum cleaner, the tool registered earliest will be cancelled automatically.
	The vacuum cleaner erased all tool registrations.	Perform the tool registration again.
	No power supply	Supply the power to the tool and the vacuum cleaner.
	The tool and vacuum cleaner are away from each other (out of the transmission range).	Get the tool and vacuum cleaner closer each other. The maximum transmission distance is approximately 10 m however it may vary according to the circumstances.
	Radio disturbance by other appliances which generate high-intensity radio waves.	Keep the tool and vacuum cleaner away from the appliances such as Wi-Fi devices and microwave ovens.
The vacuum cleaner runs while the tool is not operating.	Other users are using the wireless activation of the vacuum cleaner with their tools.	Turn off the wireless activation button of the other tools or cancel the tool registration of the other tools.

## MAINTENANCE

**⚠ CAUTION:** Always be sure that the tool is switched off and the battery cartridge is removed before attempting to perform inspection or maintenance.

**⚠ CAUTION:** Clean out the upper and lower guards to ensure there is no accumulated sawdust which may impede the operation of the lower guarding system. A dirty guarding system may limit the proper operation which could result in serious personal injury. The most effective way to accomplish this cleaning is with compressed air. If the dust is being blown out of the guards, be sure the proper eye and breathing protection is used.

**⚠ CAUTION:** After each use, wipe off the saw dust on the tool. Fine saw dust may come inside the tool and cause malfunction or a fire.

**NOTICE:** Never use gasoline, benzine, thinner, alcohol or the like. Discoloration, deformation or cracks may result.

To maintain product SAFETY and RELIABILITY, repairs, any other maintenance or adjustment should be performed by Makita Authorized or Factory Service Centers, always using Makita replacement parts.

### Adjusting 0°-cut or 45°-cut accuracy

**NOTICE:** Do not engage the levers for -1° bevel angle when adjusting 0°-cut accuracy.

**NOTICE:** Do not engage the positive stopper for 22.5° or 60° bevel angle when adjusting 45°-cut accuracy.

This adjustment has been made at the factory. But if it is off, you can adjust it as the following procedure.

1. Loosen the clamping screws on the front and rear of the tool so that the bevel angle can be changed. Set the positive stopper to 45° bevel angle position if you are going to adjust 45°-cut accuracy.  
▶ **Fig.46:** 1. Clamping screw 2. Positive stopper
2. Make the base perpendicular or 45° to the circular saw blade using a triangular rule by turning the adjusting screw with a hex wrench. You can also use a square rule to adjust 0° angle.  
▶ **Fig.47:** 1. Triangular rule  
▶ **Fig.48:** 1. Adjusting screw for 0° angle 2. Adjusting screw for 45° angle
3. Tighten the clamping screws and then make a test cut to check if desired angle is obtained.

### Adjusting the depth guide

If the base does not slide up or down smoothly, the depth guide may have been tilted. You can adjust the depth guide as follows:

1. Make the base perpendicular, and set the depth of cut to the deepest.
2. Loosen the adjusting screws for the depth guide. The depth guide automatically adjusts its position.
3. Tighten the adjusting screws for the depth guide.
4. Adjust the parallelism by referring to the section for parallelism.  
▶ **Fig.49:** 1. Adjusting screws for the depth guide

## Adjusting the parallelism

**⚠ CAUTION:** Keep the parallelism accurate. Otherwise the circular saw blade may bite into the guide rail and the damaged guide rail may cause an injury.

This adjustment has been made at the factory. But if it is off, you can adjust it as the following procedure.

1. Set the tool to the maximum cutting depth.
2. Make sure all levers and screws are tightened.
3. Loosen the screws shown in the figure.
4. While opening the lower guard, move the rear of the base so that the distance A and B becomes equal.  
▶ **Fig.50:** 1. Screw 2. Base
5. Tighten the screws and make a test cut to check the parallelism.

## OPTIONAL ACCESSORIES

**⚠ CAUTION:** These accessories or attachments are recommended for use with your Makita tool specified in this manual. The use of any other accessories or attachments might present a risk of injury to persons. Only use accessory or attachment for its stated purpose.

If you need any assistance for more details regarding these accessories, ask your local Makita Service Center.

- Circular saw blade
- Sub base
- Guide rail
- Bevel guide
- Clamp
- Sheet
- Rubber sheet
- Position sheet
- Hex wrench
- Front cuff 24
- Wireless unit
- Makita genuine battery and charger

**NOTE:** Some items in the list may be included in the tool package as standard accessories. They may differ from country to country.

## SPECIFIKATIONER

Modell:		HS011G		
Bladdiameter		255 mm	260 mm	270 mm
Max. sågdjup	vid 0°	94 mm	97 mm	101 mm
	vid 45° vinkel	65 mm	68 mm	71 mm
	vid 60° vinkel	45 mm	48 mm	51 mm
Hastighet utan belastning		3 500 min <sup>-1</sup>		
Total längd		453 mm		
Märkspänning		36 V - 40 V likström max.		
Nettovikt		5,5 - 6,7 kg		

- På grund av vårt pågående program för forskning och utveckling kan dessa specifikationer ändras utan föregående meddelande.
- Specifikationer och batterikassett kan variera mellan olika länder.
- Vikten kan variera beroende på tillbehören, inklusive batterikassett. Den lättaste och den tyngsta kombinationen enligt EPTA-procedur 01/2014 visas i tabellen.

### Tillgänglig batterikassett och laddare

Batterikassett	BL4020 / BL4025 / BL4040 / BL4050F* / BL4080F* * : Rekommenderat batteri
Laddare	DC40RA / DC40RB / DC40RC

- Vissa av batterikassetterna och laddarna på listan ovan kanske inte finns tillgängliga i din region.

**⚠ VARNING: Använd endast batterikassetter och laddare från listan ovan.** Användning av andra batterikassetter och laddare kan orsaka personskada och/eller brand.

### Avsedd användning

Verktyget är avsett för att såga längs och tvärs arbetsstycket och för vinkelsågning i god kontakt med arbetsstycket.

### Buller

Den normala bullernivån för A-belastning är bestämd enligt EN62841-2-5:

Ljudtrycksnivå ( $L_{pA}$ ) : 93 dB (A)  
Ljudeffektnivå ( $L_{WA}$ ) : 104 dB (A)  
Måttolerans (K): 3 dB (A)

**OBS:** Det deklarerade bullervärdet har uppmätts i enlighet med standardtestmetoden och kan användas för jämförandet av en maskin med en annan.

**OBS:** Det deklarerade bulleremissionsvärdet kan också användas i en preliminär bedömning av exponering för vibration.

**⚠ VARNING: Använd hörselskydd.**

**⚠ VARNING: Bulleremissionen under faktisk användning av maskinen kan skilja sig från det deklarerade värdet, beroende på hur maskinen används och särskilt vilken typ av arbetsstycke som behandlas.**

**⚠ VARNING: Var noga med att identifiera säkerhetsåtgärder för att skydda användaren, vilka är grundade på en uppskattning av graden av exponering för vibrationer under de faktiska användningsförhållandena, (ta, förutom avtryckartiden, med alla delar av användarcykeln i beräkningen, som till exempel tiden då maskinen är avstängd och när den går på tomgång).**

### Vibration

Det totala vibrationsvärdet (treaxlad vektorsumma) bestämt enligt EN62841-2-5:

Arbetsläge: sågning i trä  
Vibrationsemission ( $a_{h,W}$ ) : 2,5 m/s<sup>2</sup> eller lägre  
Måttolerans (K): 1,5 m/s<sup>2</sup>

**OBS:** Det deklarerade totala vibrationsvärdet har uppmätts i enlighet med standardtestmetoden och kan användas för jämförandet av en maskin med en annan.

**OBS:** Det deklarerade totala vibrationsvärdet kan också användas i en preliminär bedömning av exponering för vibration.

**⚠ VARNING:** Vibrationsemissionen under faktisk användning av maskinen kan skilja sig från det deklarerade värdet, beroende på hur maskinen används och särskilt vilken typ av arbetsstycke som behandlas.

**⚠ VARNING:** Var noga med att identifiera säkerhetsåtgärder för att skydda användaren, vilka är grundade på en uppskattning av graden av exponering för vibrationer under de faktiska användningsförhållandena, (ta, förutom avtryckartiden, med alla delar av användarcykeln i beräkningen, som till exempel tiden då maskinen är avstängd och när den går på tomgång).

## EG-försäkran om överensstämmelse

### Gäller endast inom EU

EG-försäkran om överensstämmelse inkluderas som bilaga A till denna bruksanvisning.

# SÄKERHETSVARNINGAR

## Allmänna säkerhetsvarningar för maskiner

**⚠ VARNING:** Läs alla säkerhetsvarningar, anvisningar, illustrationer och specifikationer som medföljer det här maskinen. Underlåtenhet att följa instruktionerna kan leda till elstötar, brand och/eller allvarliga personskador.

## Spara alla varningar och instruktioner för framtida referens.

Termen "maskin" som anges i varningarna hänvisar till din eldrivna maskin (sladdansluten) eller batteridrivna maskin (sladdlös).

## Säkerhetsvarningar för sladdlös cirkelsåg

### Sågningsförfarande

- ⚠ FARA:** Håll alltid händerna borta från sågningsområdet. Håll den andra handen på det extra handtaget eller motorhuset. Om du håller i sågen med båda händerna kan de inte skadas av klingan.
- Sträck dig inte in under arbetsstycket.** Skyddet har ingen skyddsfunktion under arbetsstycket.
- Ställ in sågdjupet efter arbetsstyckets tjocklek.** Mindre än en hel sågtand får synas under arbetsstycket.
- Håll aldrig arbetsstycket i händerna eller i knäet vid kapning. Fäst arbetsstycket på ett stabilt underlag.** Det är viktigt att arbetsstycket stöds ordentligt för att minimera risken för skador, undvika att klingan fastnar eller att något oväntat inträffar.

► Fig.1

- Håll maskinen i de isolerade handtagen om det finns risk för att skärverktyget kan komma i kontakt med en dold elkabel.** Om skärverktyget kommer i kontakt med en strömförande ledning blir maskinens metalldelar strömförande och kan ge användaren en elektrisk stöt.
- Vid klyvsågning ska alltid ett parallell- eller sidoanslag användas.** Detta förbättrar noggrannheten vid sågningen och minskar risken för att klingan nyper fast.
- Använd alltid en sågklinga med rätt storlek och form (diamant respektive rund) på styrhålen.** Klingor som inte passar monteringsfästet i sågen löper ojämnt, vilket ger en okontrollerbar sågning.
- Använd aldrig en klingbricka eller bult som på något sätt är felaktig eller skadad.** Klingbrickorna och bulten är specialtillverkade till sågen för optimal prestanda och säkerhet.

### Orsaker till bakåtkast och relaterade varningar

- Bakåtkast är en plötslig reaktion när ett sågblad kläms, fastnar eller är felinriktat och innebär att sågen kastas upp ur arbetsstycket.
- Om klingan kläms eller fastnar och sågskäret därmed stoppas, driver motorkraften sågen mot användaren i hög hastighet.
- Om klingan böjs eller blir felriktad i sågskäret kan sågtänderna på klingans bakkant gräva sig in på ytan av arbetsstycket, driva klingan ur skäret och kasta sågen bakåt mot användaren.

Bakåtkast beror på ovarsamhet och/eller felaktiga arbetsrutiner och kan undvikas genom att vidta nedanstående förebyggande åtgärder.

- Håll sågen stadigt med båda händerna och placera armarna så att de kan ta emot kraften från ett bakåtkast. Stå vid sidan av klingan och aldrig i dess linje.** Vid ett bakåtkast kastas sågen bakåt, men kraften i bakåtkastet kan kontrolleras av användaren om rätt försiktighetsåtgärder vidtas.
- Om klingan kläms eller av annan orsak hindras i skäret ska du släppa avtryckaren och hålla sågen stilla i skäret tills klingan har stannat. För att undvika bakåtkast ska du aldrig försöka ta bort sågen från arbetsstycket eller dra sågen bakåt när klingan är i rörelse.** Undersök och åtgärda orsaken till att klingan fastnar.
- När sågen startas igen i arbetsstycket ska du centrera sågklingan i skäret och kontrollera att ingen sågtand är i ingrepp i materialet.** Om sågbladet sitter fast i materialet kan sågen klättra upp eller medföra bakåtkast när sågen startas på nytt.
- Stötta långa arbetsstycken för att minimera risken för att klingan nyper fast och ger bakåtkast.** Långa arbetsstycken böjs av sin egen tyngd. Placera stöd på båda sidorna, både nära såglinjen och vid kanten på arbetsstycket.

► Fig.2

► Fig.3

- Använd aldrig söta eller skadade klingor.** En oskarp eller felinställd klinga ger ett trångt sågskär som orsakar onödig friktion och klingan kan lättare fastna och ge bakåtkast.

6. **Klingdjup och nivåinställda låsspakar måste vara åtdragna och låsta innan sågning.** Om klingans justering skiftar under sågning kan det orsaka att den nyper fast och ger bakåtkast.
  7. **Var extra uppmärksam vid sågning i väggar eller andra dolda utrymmen.** Den utskjutande klingan kan säga av föremål som kan orsaka bakåtkast.
  8. **Håll ALLTID maskinen stadigt med båda händerna. Placera ALDRIG handen, benet eller någon annan kroppsdel under bottenplattan eller bakom sågen, i synnerhet vid tvärsågning.** Vid eventuella bakåtkast kan sågen lätt kastas bakåt mot handen och orsaka allvarliga skador.
- **Fig.4**
9. **Forcera aldrig sågen. Skjut sågen framåt med en sågningshastighet som låter klingan säga utan att tappa fart.** En såg som forceras ger ojämna skär, är svårare att styra och ger risk för bakåtkast.

#### Skyddets funktion

1. **Kontrollera att det nedre skyddet är stängt före varje sågning. Använd inte sågen om det nedre skyddet kärvar och inte stängs omedelbart. Kåla aldrig fast eller bind det nedre skyddet i öppet läge.** Om du tappar sågen kan det nedre skyddet böjas. Höj det nedre skyddet med handtaget och se till att det rör sig fritt och inte vidrör klingan eller någon annan del under någon sågvinkel eller något sågdjup.
  2. **Kontrollera funktionen hos det nedre skyddets fjäder. Om skyddet eller fjädern inte fungerar på avsett vis ska sågen underhållas innan den används.** Det nedre skyddet kan fungera ojämnt på grund av skadade delar, gummiavlagringar eller andra ansamlingar.
  3. **Det nedre skyddet får endast dras tillbaka manuellt inför specialsågningar som "insticks-sågning" och "geringsågning". Höj det nedre skyddet med hjälp av handtaget och släpp det nedre skyddet så snart klingan går in i materialet.** Under alla andra typer av sågning ska det nedre skyddets automatiska funktion användas.
  4. **Kontrollera alltid att det nedre skyddet täcker klingan innan du ställer ned sågen på ett arbetsbordet eller på golvet.** En oskyddad klinga som roterar medför att sågen vandrar bakåt och sågar i allt som kommer i dess väg. Tänk på att det tar en stund innan klingan stannar efter att du har släppt avtryckaren.
  5. **Kontrollera det nedre skyddet genom att öppna det manuellt och sedan släppa det och observera skyddets stängning. Kontrollera även att handtaget inte vidrör verktygshuset.** Att lämna klingan oskyddad är MYCKET FARLIGT och kan leda till allvarliga personskadorna.
2. **Ta aldrig bort sågat material medan klingan rör sig. Vänta tills klingan har stannat innan du tar bort det sågade materialet.** Klingan stannar inte omedelbart när maskinen stängs av.
  3. **Undvik att säga i spik. Kontrollera arbetssstycket och ta bort alla spikar innan du börjar säga.**
  4. **Placera större delen av sågbordet på den del av arbetsstycket som har ett fast stöd och inte på den del som ska sägas bort. Kläm fast arbetsstycken som är små eller korta. FÖRSÖK INTE ATT HÅLLA SMA ARBETSSTYCKEN I HANDEN!**
- **Fig.5**
5. **Kontrollera att skyddet är stängt och att klingan har stannat innan du ställer ifrån dig sågen.**
  6. **Använd aldrig cirkelsågen upp-och-nedvänd i ett skruvstöd. Det är extremt farligt och kan leda till allvarliga olyckor.**
- **Fig.6**
7. **Vissa material kan innehålla giftiga kemikalier. Se till att du inte andas in damm eller får det på huden. Följ anvisningarna i leverantörens materialsäkerhetsblad.**
  8. **Försök inte stoppa klingorna genom att trycka på dem.**
  9. **Använd inte några slipskivor.**
  10. **Använd endast sågklingor med den diameter som finns markerad på maskinen eller angiven i handboken.** Om en klinga med fel storlek används kan det påverka skyddet för klingan eller skyddets funktion vilket kan resultera i allvarlig personskada.
  11. **Håll klingan vass och ren.** Gummi- och trärester på klingan hindrar sågningen och ökar risken för bakåtkast. Ta bort klingan från sågen och gör rent den med ett borttagningsmedel för gummi- och trärester, varmt vatten och fotogen. Använd aldrig bensin.
  12. **Använd alltid andningsmask och hörselskydd när du arbetar med verktyget.**
  13. **Använd alltid ett sågblad som är avsett för att skära i det avsedda materialet.**
  14. **Använd endast sågblad som är märkta med ett maximalt varvtal som är lika med eller högre än varvtalet som är märkt på maskinen.**
  15. **(endast för länder i Europa) Använd alltid blad som överensstämmer med EN847-1.**
  16. **Placera verktyget och delarna på en platt och stabil yta.** I annat fall kan verktyget eller dess delar falla och orsaka skador.

## SPARA DESSA ANVISNINGAR.

**⚠ VARNING: GLÖM INTE att också fortsättningsvis strikt följa säkerhetsanvisningarna för maskinen även efter att du blivit van att använda den. Vid FELAKTIG HANTERING av maskinen eller om inte säkerhetsanvisningarna i denna bruksanvisning följs kan följden bli allvarliga personskadorna.**

#### Ytterligare säkerhetsvarningar

1. **Var extra försiktig vid sågning i fuktigt, tryckbehandlat och kvistigt trä.** Bibehåll mjuk rörelse framåt med maskinen, utan att klingans hastighet minskar, för att undvika överhettning av klingspetsarna.

## Viktiga säkerhetsanvisningar för batterikassetten

1. Innan batterikassetten används ska alla instruktioner och varningsmärken på (1) batteriladdaren, (2) batteriet och (3) produkten läsas.
2. **Montera inte isär eller mixtra med batterikassetten.** Det kan leda till brand, överdriven värme eller explosion.
3. **Om drifttiden blivit avsevärt kortare ska användningen avbrytas omedelbart.** Det kan uppstå överhettning, brännskador och t o m en explosion.
4. **Om du får elektrolyt i ögonen ska de sköljas med rent vatten och läkare uppsöks omedelbart.** Det finns risk för att synen förloras.
5. **Kortslut inte batterikassetten.**
  - (1) Rör inte vid polerna med något strömförande material.
  - (2) Undvik att förvara batterikassetten tillsammans med andra metallobjekt som t.ex. spikar, mynt o.s.v.
  - (3) Skydda batteriet mot vatten och regn. En batterikortslutning kan orsaka ett stort strömflöde, överhettning, brand och maskinhaveri.
6. Förvara och använd inte verktyget och batterikassetten på platser där temperaturen kan nå eller överstiga 50 °C.
7. **Bränn inte upp batterikassetten även om den är svårt skadad eller helt utsliten.** Batterikassetten kan explodera i öppen eld.
8. **Spika inte i, krossa, kasta, tappa eller slå batterikassetten mot hårda föremål.** Dylåka händelser kan leda till brand, överdriven värme eller explosion.
9. **Använd inte ett skadat batteri.**
10. **De medföljande litiumjonbatterierna är föremål för kraven i gällande lagstiftning för farligt gods.**

För kommersiella transporter (av t.ex. tredje parter som speditönsfirmor) måste de särskilda transportkrav som anges på emballaget och etiketter iakttas.

För att förbereda den produkt som ska avsändas krävs att du konsulterar en expert på riskmaterial. Var också uppmärksam på att det i ditt land kan finnas ytterligare föreskrifter att följa. Tejsa över eller maskera blottade kontakter och packa batteriet på sådant sätt att det inte kan röra sig fritt i förpackningen.
11. **När batterikassetten ska kasseras måste den tas bort från maskinen och kasseras på ett säkert sätt.** Följ lokala föreskrifter beträffande avfallshantering av batterier.
12. **Använd endast batterierna med de produkter som specificerats av Makita.** Att använda batterierna med ej godkända produkter kan leda till brand, överdriven värme, explosion eller utläckande elektrolyt.
13. **Om maskinen inte används under en lång tid måste batteriet tas bort från maskinen.**

14. **Under och efter användning kan batterikassetten bli het vilket kan orsaka brännskador eller lättare brännskador.** Var uppmärksam på hur du hanterar varma batterikassetter.
15. **Vidrör inte verktygets kontakter direkt efter användning eftersom de kan bli heta och orsaka brännskador.**
16. **Låt inte flisor, damm eller smuts fastna i kontaktarna, i hål eller spår i batterikassetten.** Det kan leda till att verktyget eller batterikassetten värms upp, fattar eld, går sönder eller inte fungerar som de ska, vilket kan orsaka brännskador eller personskador.
17. **Såvida inte verktyget stöder arbeten i närheten av högspänningsledning får batterikassetten inte användas i närheten av en högspänningsledning.** Det kan leda till att verktyget eller batterikassetten går sönder eller inte fungerar korrekt.
18. **Förvara batteriet utom räckhåll för barn.**

## SPARA DESSA ANVISNINGAR.

**⚠FÖRSIKTIGT:** Använda endast äkta Makita-batterier. Användning av oäkta Makita-batterier eller batterier som har manipulerats kan leda till person- och utrustningsskador eller till att batteriet fattar eld. Det upphäver också Makitas garanti för verktyget och laddaren.

## Tips för att uppnå batteriets maximala livslängd

1. Ladda batterikassetten innan den är helt urladdad. Stanna alltid maskinen och ladda batterikassetten när du märker att maskinen blir svagare.
2. Ladda aldrig en fulladdad batterikasset. Överladdning förkortar batteriets livslängd.
3. Ladda batterikassetten vid en rumstemperatur på 10 °C - 40 °C. Låt en varm batterikasset svalna innan den laddas.
4. När batterikassetten inte används ska den tas bort från verktyget eller laddaren.
5. Ladda batterikassetten om du inte har använt den på länge (mer än sex månader).

## Viktiga säkerhetsanvisningar för den trådlösa enheten

1. **Montera inte isär eller manipulera den trådlösa enheten.**
2. **Förvara den trådlösa enheten utom räckhåll för barn.** Om den råkar sväljas, sök omedelbart läkarhjälp.
3. **Använd den trådlösa enheten endast ihop med Makita-verktyg.**
4. **Utsätt inte den trådlösa enheten för regn eller våta förhållanden.**
5. **Använd inte den trådlösa enheten på platser där temperaturen överstiger 50 °C.**
6. **Använd inte den trådlösa enheten på platser där medicinska instrument som pacemakers finns i närheten.**
7. **Använd inte den trådlösa enheten på platser där automatiska enheter finns i närheten.** Om de är igång kan automatiska enheter utveckla funktionsstörningar eller fel.



8. Använd inte den trådlösa enheten på platser med hög temperatur eller där det kan skapas statisk elektricitet eller elektriskt brus.
9. Den trådlösa enheten kan alstra elektromagnetiska fält (EMF) men dessa är inte skadliga för användaren.
10. Den trådlösa enheten är ett noggrant instrument. Var försiktig så att du inte råkar tappa den trådlösa enheten eller utsätta den för stötar.
11. Undvik att vidröra den trådlösa enhetens terminal med bara händer eller metallmaterial.
12. Ta alltid bort batteriet på produkten när du installerar den trådlösa enheten på den.
13. När du öppnar skårans lock, undvik då det ställe där damm och vatten kan komma in i skåran. Håll alltid skårans inlopp rent.
14. Sätt alltid in den trådlösa enheten i rätt riktning.
15. Tryck inte för hårt på knappen för trådlös aktivering på den trådlösa enheten, och tryck inte på knappen med ett föremål med vass kant.
16. Stäng alltid skårans lock vid körning.
17. Ta inte bort den trådlösa enheten från skåran medan ström tillförs till verktyget. Att göra det kan orsaka funktionsfel på den trådlösa enheten.
18. Ta inte bort dekalen på den trådlösa enheten.
19. Sätt inte någon dekal på den trådlösa enheten.
20. Lämna inte den trådlösa enheten någonstans där det kan skapas statisk elektricitet eller elektriskt brus.
21. Lämna inte den trådlösa enheten någonstans där den utsätts för hög värme, t.ex. en bil i solen.
22. Lämna inte den trådlösa enheten på ett dammigt eller pulvrigt ställe eller någonstans där korrosiv gas kan bildas.
23. Plötsliga temperaturförändringar kan göra den trådlösa enheten daggbestänkt. Använd inte den trådlösa enheten förrän daggen helt har torkat bort.
24. När den trådlösa enheten rengörs, torka den då med en torr mjuk duk. Använd inte tvättbensen, thinner, konduktivt fett eller liknande.
25. När den trådlösa enheten ska tas i förvar, ha den då i det tillhörande fodralet eller en behållare med skydd mot statisk laddning.
26. Sätt inte in några andra enheter än den trådlösa Makita-enheten i skåran på verktyget.
27. Använd inte verktyget om skårans lock är skadat. Det kan komma in vatten, damm och smuts i skåran som orsakar funktionsfel.
28. Dra eller vrid inte skårans lock mer än nödvändigt. Sätt tillbaka locket om det lossnar från verktyget.
29. Ersätt skårans lock om det går förlorat eller skadas.

## SPARA DESSA ANVISNINGAR.

## FUNKTIONSBESKRIVNING

**⚠FÖRSIKTIGT:** Se alltid till att maskinen är avstängd och batterikassetten borttagen innan du justerar maskinen eller kontrollerar dess funktioner.

## Montera eller demontera batterikassetten

**⚠FÖRSIKTIGT:** Stäng alltid av maskinen innan du monterar eller tar bort batterikassetten.

**⚠FÖRSIKTIGT:** Håll stadigt i maskinen och batterikassetten när du monterar eller tar bort batterikassetten. I annat fall kan det leda till att de glider ur dina händer och orsakar skada på maskinen och batterikassetten samt personskada.

► **Fig.7:** 1. Röd indikator 2. Knapp 3. Batterikassett

Ta bort batterikassetten genom att skjuta ner knappen på kassetten framsida samtidigt som du drar ut batterikassetten.

Sätt in batterikassetten genom att rikta in tungan på batterikassetten mot spåret i höjlet och skjut den på plats. Tryck in batterikassetten ordentligt tills den låser fast med ett klick. Om du kan se den röda indikatorn som bilden visar är den inte låst ordentligt.

**⚠FÖRSIKTIGT:** Sätt alltid in batterikassetten helt tills den röda indikatorn inte längre syns. I annat fall kan den oväntat falla ur verktyget och skada dig eller någon annan.

**⚠FÖRSIKTIGT:** Montera inte batterikassetten med våld. Om kassetten inte lätt glider på plats är den felinsatt.

## Skyddssystem för maskinen/ batteriet

Maskinen är utrustad med ett skyddssystem för maskinen-/batteriet. Detta system bryter automatiskt strömmen till motorn för att förlänga maskinens och batteriets livslängd. Maskinen stoppar automatiskt under användningen om maskinen eller batteriet hamnar i en av följande situationer. Indikatorerna tänds i vissa situationer.

## Överbelastningsskydd

Om verktyget/batteriet används på ett sätt som gör att det drar onormalt mycket ström stoppar verktyget automatiskt. Om detta sker stänger du av verktyget och upphör med det arbete som gjorde att det överbelastades. Starta därefter upp verktyget igen.

## Överhettningsskydd

Om verktyget/batteriet överhettas stoppas verktyget automatiskt. Låt i så fall verktyget svalna innan du startar det igen.

**OBS:** Lampan blinkar när maskinen är överhettad.

## Överurladdningsskydd

När batteriets kapacitet är låg stoppar maskinen automatiskt. Om produkten inte fungerar trots att knapparna fungerar som de ska tar du bort batterierna från maskinen och laddar dem.

## Skydd mot andra orsaker

Skyddssystemet är också utvecklat för att hantera andra orsaker som skulle kunna skada verktyget och tillåter verktyget att stanna automatiskt. Ta följande steg för att åtgärda felen när verktyget stannat temporärt eller helt.












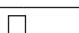


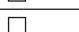

1. Stäng av verktyget och starta sedan upp den igen för att starta om.
2. Laddning av batteriet/batterierna och ersätt det/dem med laddade batteri(er).
3. Låt verktyget och batteri(erna) svalna.

Om ingen förbättring kan hittas genom att återställa skyddssystemet, kontakta ditt lokala Makita Service Center.

## Indikerar kvarvarande batterikapacitet

Tryck på kontrollknappen på batterikassetten för att se kvarvarande batterikapacitet. Indikatorlamporna lyser i ett par sekunder.

► **Fig.8:** 1. Indikatorlampor 2. Kontrollknapp

Indikatorlampor			Kvarvarande kapacitet
 Upplyst	 Av	 Blinkar	
			75% till 100%
			50% till 75%
			25% till 50%
			0% till 25%
			Ladda batteriet.
 	 		Batteriet kan ha skadats.

**OBS:** Beroende på användningsförhållanden och den omgivande temperaturen kan indikationen skilja sig lätt från den faktiska batterikapaciteten.

**OBS:** Den första (längst till vänster) indikatorlampan kommer att blinka när batteriskyddssystemet fungerar.

## Avtryckarens funktion

**⚠️ VARNING:** Innan du sätter i batterikassetten i maskinen ska du kontrollera att avtryckaren fungerar och återgår till läget "OFF" när du släpper den.

**⚠️ VARNING:** Sätt ALDRIG säkerhetsknappens funktion ur spel genom att t.ex. tejpa fast den. I annat fall kan följden bli oavsiktlig aktivering och allvarig personskada.

**⚠️ VARNING:** Använd ALDRIG verktyget om det startar när du trycker in avtryckaren utan att ha tryckt in säkerhetsknappen. En säkerhetsknapp som behöver repareras kan orsaka oavsiktlig aktivering och allvarig personskada. Returnera verktyget till ett Makita-servicecenter för reparation INNAN du fortsätter att använda det.

En säkerhetsknapp förhindrar oavsiktlig aktivering av avtryckaren. Starta verktyget genom att först trycka in säkerhetsknappen och sedan avtryckaren. Släpp avtryckaren för att stoppa verktyget.

► **Fig.9:** 1. Avtryckare 2. Startspärr

**⚠️ OBSERVERA:** Tryck inte in avtryckaren hårt utan att ha tryckt in säkerhetsknappen. Det kan skada avtryckaren.

**⚠️ FÖRSIKTIGT:** Maskinen börjar bromsa cirkelsågbladets rotation omedelbart när du släpper avtryckaren. Håll maskinen i ett fast grepp för att svara på reaktionen av bromsen när du släpper avtryckaren. En plötsliga reaktion kan få dig att tappa och kan leda till personskada.

## Justera sågdjupet

**⚠️ FÖRSIKTIGT:** Dra alltid åt spaken ordentligt efter att sågdjupet justerats.

Lossa spaken på djupanslaget och flytta bottenplattan uppåt eller nedåt. Läs bottenplattan med spaken när du har ställt in önskat sågdjup.

Bästa sågresultat och säkraste sågning erhålls om sågdjupet ställs in så att endast en sågtand syns på arbetsstyckets undersida. Rätt inställning av sågdjup bidrar till att minska risken för farliga BAKÅTKAST, som kan orsaka allvarliga personskador.

► **Fig.10:** 1. Spärr

**⚠️ OBSERVERA:** Om basen inte glider upp eller ner smidigt kan djupanslaget ha lutats. Om så är fallet ska djupanslaget justeras (se avsnittet om justering av djupanslaget).

## Vinkelsågning

**⚠️ FÖRSIKTIGT:** Dra alltid åt låsskruvarna ordentligt efter justering av vinkel.

Lossa låsskruvarna. Ställ in lämplig vinkel genom att luta maskinen i enlighet därmed och dra åt låsskruvorna.

► **Fig.11:** 1. Spännskruv



## Lägesstopp

Lägesstoppet är användbart för att snabbt ställa in avsedd vinkel. Vrid lägesstoppet så att pilen på det pekar på önskad vinkel (omkring 22,5°/45°/60°). Lossa spaken och luta sedan bottenplattan till det tar stopp. Positionen där verktygets bottenplatta slutar är den vinkel som du ställt in med lägesstoppet. Dra fast spaken med verktygets bottenplatta i denna position.

► **Fig.12:** 1. Lägesstopp

## -1° vinkelsågning

För att utföra vinkelsågning med -1° vinkel, lossa på låsskruvarna och tryck spärrarna hela vägen i samma riktning som pilen i bilden. Ställ sedan in vinkeln på -1° och dra åt låsskruvarna.

► **Fig.13:** 1. Spärr

## Inriktning

För rak sågning riktar du in läget för 0° framtill på bottenplattan mot såglinjen. För vinkelsågning med en vinkel på 45° riktar in den mot läget för 45°.

► **Fig.14:** 1. Säglinje (vid läget 0°) 2. Säglinje (vid läget 45°)

## Tända lampan

**⚠FÖRSIKTIGT:** Titta inte in i ljuset eller direkt i ljuskällan.

Om du vill tända lampan utan att köra maskinen trycker du på avtryckaren utan att trycka in säkerhetsspärr. Tryck in och håll inne säkerhetsspärr och tryck in avtryckaren för att tända lampan.

Lampan slocknar 10 sekunder efter att du har släppt avtryckaren.

► **Fig.15:** 1. Lampa

**OBS:** Använd en torr trasa för att torka bort smuts från lampglaset. Var försiktig så att inte lampglaset reparas eftersom ljuset då kan bli svagare.

## Elektronisk broms

Denna maskin är försedd med en elektronisk bladsbroms. Om maskinen inte snabbt stoppar cirkelsågbladet efter att avtryckaren släppts, behöver maskinen servas på ett av Makita-servicecenter.

**⚠FÖRSIKTIGT:** Klingsbromssystemet är inte ett substitut för bladsydd. **ANVÄND ALDRIG VERKTYGET UTAN ETT FUNGERANDE BLADSKYDD. DET KAN LEDA TILL PERSONSKADA SOM FÖLJD.**

## Elektronisk funktion

Följande elektroniska funktioner underlättar användningen av maskinen.

### Mjukstartfunktion

Mjukstart genom att startkrafterna undertrycks.

### Konstant hastighetskontroll

Elektronisk hastighetskontroll för att erhålla konstant hastighet. Det är möjligt att få en fin finish eftersom rotationshastigheten hålls konstant även vid belastning.

## MONTERING

**⚠FÖRSIKTIGT:** Se alltid till att maskinen är avstängd och batterikassetten borttagen innan du underhåller maskinen.

## Förvaring av insexnyckel

Förvara insexnyckeln enligt figuren när den inte används, så att du alltid har den till hands.

► **Fig.16:** 1. Insexnyckel

## Installera bottenplatta

Installera bottenplattan och dra åt klämskruvarna säkert enligt bilden.

Använd alltid verktyget med bottenplattan utom när du använder styrskenan.

► **Fig.17:** 1. Spännskruv 2. Bottenplatta

## Montera eller demontera cirkelsågblad

**⚠FÖRSIKTIGT:** Se till att montera cirkelsågklingen med sågtänderna uppåt i verktygets framkant.

**⚠FÖRSIKTIGT:** Använd endast medföljande insexnyckel från Makita för att montera eller demontera cirkelsågklingen.

1. Lossa spaken på djupanslaget och flytta bottenplattan nedåt.

► **Fig.18:** 1. Spak

2. Sätt dit den inre flänsen, ringen (landspecifik), cirkelsågbladet, den yttre flänsen och sexkantsbulten. Passa nu in pilens riktning på bladet med pilen på verktyget.

### För verktyg utan insatsring

► **Fig.19:** 1. Sexkantsbult 2. Yttre fläns

3. Cirkelsågblad 4. Inre fläns 5. Pil på cirkelsågbladet 6. Pil på verktyget

### För verktyg med insatsring

► **Fig.20:** 1. Sexkantsbult 2. Yttre fläns

3. Cirkelsågblad 4. Insatsring 5. Inre fläns 6. Pil på cirkelsågbladet 7. Pil på verktyget

3. Tryck ned spindellåset helt så att cirkelsågbladet inte kan snurra och dra åt sexkantsbulten med insexnyckeln.

► **Fig.21:** 1. Spindellås 2. Insexnyckel 3. Lossa 4. Dra åt

Gör på omvänt sätt för att ta bort cirkelsågbladet.

## För verktyg med en inre fläns som är avsedd för sågblad med en annan håldiameter än 15,88 mm

Den inre flänsen har en utskjutande del med en viss diameter på ena sidan och en utskjutande del med en annan diameter på den andra sidan. Välj den sidan där den utskjutande delen passar in perfekt i sågbladets hål. Montera den inre flänsen på monteringsaxeln så att rätt sida av den inre flänsens utskjutande del riktas utåt, och sätt sedan sågbladet och den yttre flänsen på plats.

- **Fig.22:** 1. Monteringsaxel 2. Inre fläns  
3. Cirkelsågblad 4. Yttre fläns  
5. Sexkantbult

**⚠ VARNING: SE TILL ATT DRA ÅT SEXKANTSBULTEN MEDURS ORDENTLIGT.** Var också noga med att inte dra åt bulten med våld. Om insexnyckeln glider ur handen kan den orsaka personskada.

**⚠ VARNING: Se till att den utskjutande delen "a" på den inre flänsen som är placerad utåt passar in perfekt i hålet "a" i sågbladet.** Att montera sågbladet på fel sida kan resultera i farliga vibrationer.

## För verktyg med en inre fläns som är avsedd för ett sågblad med en håldiameter på 15,88 mm (landspecifikt)

Montera den inre flänsen med dess försänkta sida riktad utåt på monteringsaxeln och sätt sedan sågbladet (med insatsringen monterad om så krävs), den yttre flänsen och sexkantbulten på plats.

### För verktyg utan insatsring

- **Fig.23:** 1. Monteringsaxel 2. Inre fläns  
3. Cirkelsågblad 4. Yttre fläns  
5. Sexkantbult

### För verktyg med insatsring

- **Fig.24:** 1. Monteringsaxel 2. Inre fläns  
3. Cirkelsågblad 4. Yttre fläns  
5. Sexkantbult 6. Insatsring

**⚠ VARNING: SE TILL ATT DRA ÅT SEXKANTSBULTEN MEDURS ORDENTLIGT.** Var också noga med att inte dra åt bulten med våld. Om insexnyckeln glider ur handen kan den orsaka personskada.

**⚠ VARNING: Om insatsringen behövs för att montera klingan på spindeln ska du alltid se till att korrekt insatsring för axelhålet på den klinga du ska använda monteras mellan den inre och den yttre flänsen.** Att använda fel insatsring för axelhålet kan leda till felaktig montering av klingan, vilket orsakar förflyttning av klingan och ger allvarliga vibrationer. Detta kan leda till att du förlorar kontrollen under användning, vilket kan orsaka allvarliga personskador.

## Rengöring av klingskydd

När du byter cirkelsågklinga bör du även se till att rengöra de övre och nedre klingskydden från sågspån enligt beskrivningen i avsnittet om underhåll. Detta ersätter inte den nödvändiga kontrollen av att det nedre skyddet fungerar som det ska före varje användning.

## Ansluta en dammsugare

### Valfria tillbehör

Anslut en dammsugare från Makita när du vill ha rent under sågningen. Anslut dammsugarslangen till dammunstycket med främre kopplingar 24.

- **Fig.25:** 1. Slang på dammsugare 2. Främre kopplingar 24 3. Dammunstycke

## Justera dammunstyckets vinkel

Munnstyckets vinkel kan justeras genom att vrida på dammunstycket.

När verktyget används utan ansluten dammsugare ska dammunstycket riktas nedåt för att förhindra att användaren utsätts för sågspån.

När verktyget används med en ansluten dammsugare ska dammunstycket riktas uppåt för att förhindra att dammsugarens slang fastnar i arbetsstycket eller styrskenan.

- **Fig.26:** 1. Dammunstycke

## ANVÄNDNING

Denna maskin är endast avsedd för att såga i träprodukter.

Se vår hemsida eller kontakta din lokala Makita-återförsäljare för korrekt cirkelsågblad som används med det material som ska kapas.

Använd inte verktyget utan bottenplattan, utom när du använder styrskenan.

## Kontrollera klingskyddets funktion

Ta bort batterikassetten.

Ställ in vinkeln för vinkelsågning på 0° och dra sedan tillbaka det nedre klingskyddet hela vägen och släpp det. Det nedre klingskyddet fungerar korrekt om:

- det dras tillbaka ovanför basen utan problem, och
- om det återgår automatiskt och kommer i kontakt med stoppanordningen.

- **Fig.27:** 1. Övre skydd 2. Nedre skydd 3. Bas  
4. Stoppanordning 5. Öppna 6. Stäng

Om det nedre skyddet inte fungerar korrekt, kontrollera om sågdamm har samlats inuti de övre och undre skydden. Om det nedre skyddet inte fungerar korrekt, även efter damm har avlägsnats, lämna in din maskin på service hos ett Makita servicecenter.

## Kapningsförfarande

**⚠ FÖRSIKTIGT:** Bär andningsmask vid kapning.

**⚠ FÖRSIKTIGT:** Se till att verktyget förs framåt varsamt i en rät linje. Om du tvingar eller vrider sågen överhettas motorn och det finns risk för kraftiga bakåtkast som kan medföra allvarliga skador.

**OBS:** När batterikassetten temperatur är låg kan det hända att verktyget inte arbetar med full styrka. Använd då exempelvis verktyget för ett lätt sågarbete ett tag tills batterikassetten värms upp till rumstemperatur. Sedan kan verktyget arbeta med full styrka.

### ► Fig.28

Håll verktyget i ett fast grepp. Verktyget är försett med handtag både fram och bak. Använd båda handtagen för att hålla verktyget stadigt. Om du håller sågen med båda händerna kan de inte skadas av cirkelsågbladet. Placera bottenplattan på arbetsstycket utan att cirkelsågbladet kommer i kontakt med det. Starta sedan verktyget och vänta tills cirkelsågbladet uppnått full hastighet. För sedan sågen framåt över arbetsstyckets yta. Håll den plant och för den varsamt framåt tills sågningen är klar.

För att få en renare sågning ska du hålla rak såglinje och jämn hastighet framåt. Försök inte att vrida eller tvinga verktyget tillbaka till såglinjen om den avsedda såglinjen inte kan följas. Cirkelsågbladet kan då fastna, vilket kan leda till ett farligt bakåtkast med risk för allvarliga skador som följd. Släpp avtryckaren, vänta tills cirkelsågbladet har stannat och ta sedan bort verktyget. Rikta in verktyget mot en ny såglinje och starta sågningen på nytt. Undvik att stå så att du utsätts för spån och damm som kastas ut från sågen. Använd skyddsglasögon för att undvika skador.

**OBS:** Ibland så rör sig inte det nedre skyddet så lätt vid geringssågning etc. Använd då regelaget för att lyfta upp det nedre skyddet för att börja såga och så snart som sågbladet går in i materialet släpps regelaget.

### ► Fig.29: 1. Skyddsspak

## Bottenplatta (styrskena)

**⚠ FÖRSIKTIGT:** Se till att bottenplattan (styrskena) är säkert monterad och i rätt läge före användning. Felaktig montering kan orsaka farliga bakåtkast.

Genom att använda bottenplattan som styrskena kan du utföra extra noggranna raka skär. Lossa på låsskruvarna och skjut ut bottenplattan från maskinen och sätt därefter in den upp och ner.

### ► Fig.30: 1. Spännskruv 2. Bottenplatta

Placera bottenplattans anhängel dikt an mot arbetsstycket sida och lås fast det med låsskruvarna. Det kan även användas när du vill såga flera arbetsstycken med samma bredd.

### ► Fig.31: 1. Spännskruv 2. Bottenplatta

## Styrskena

### Valfria tillbehör

**⚠ FÖRSIKTIGT:** Se alltid till att maskinen är avstängd och batterikassetten borttagen innan du underhåller maskinen.

**OBSERVERA:** Ta bort bottenplattan när styrskenan används.

Placera verktyget i styrskenas bakkant. Vrid de två inställningsskruvarna på bottenplattan så att verktyget glider mjukt utan skrammel. Håll stadigt i både det främre och det bakre handtaget. Sätt i batterikassetten. Starta verktyget och såga hela skåret längs splitterskyddet i ett moment. Nu motsvarar kanten på splitterskyddet skärinlinjen.

### ► Fig.32: 1. Inställningsskruvar

Vid vinkelsågning med löpskena, använd spaken på bottenplattan för att maskinen inte ska falla åt sidan. Skjut mjukt på bottenplattan i pilens riktning så att den fastnar i löpskenans spår.

### ► Fig.33: 1. Spak på bottenplatta

## FUNKTION FÖR TRÅDLÖS AKTIVERING

### Vad du kan göra med funktionen för trådlös aktivering

Funktionen för trådlös aktivering möjliggör en ren och bekväm körning. Genom att ansluta en dammsugare som stöds till verktyget, kan du göra så att dammsugaren automatiskt körs samtidigt som du använder verktygets knappfunktion.

### ► Fig.34

Gör i ordning följande artiklar för att använda funktionen för trådlös aktivering:

- En trådlös enhet (valfritt tillbehör)
- En dammsugare som har stöd för funktionen för trådlös aktivering

Översikten över inställningen av funktionen för trådlös aktivering är följande. Se detaljerade rutiner i varje avsnitt.

1. Installera den trådlösa enheten
2. Verktygsregistrering för dammsugaren
3. Starta funktionen för trådlös aktivering

## Installera den trådlösa enheten

### Valfria tillbehör

**⚠ FÖRSIKTIGT:** Placera verktyget på en platt och stabil yta när den trådlösa enheten installeras.

**OBSERVERA:** Rensa bort damm och smuts från verktyget innan den trådlösa enheten installeras. Damm eller smuts kan orsaka funktionsfel om det kommer in i skåran på den trådlösa enheten.

**OBSERVERA:** För att förebygga funktionsfel till följd av statisk laddning vidrör du ett statiskt urladdande material, t.ex. en metalldel på verktyget, innan du plockar upp den trådlösa enheten.

**OBSERVERA:** Se alltid till när du installerar den trådlösa enheten att den är insatt i rätt riktning och att locket är helt stängt.

1. Öppna locket på verktyget enligt figuren.

► **Fig.35:** 1. Lucka

2. Sätt in den trådlösa enheten i skåran och stäng sedan locket.

När du sätter in den trådlösa enheten, passa då in de utskjutande delarna med de insänkta delarna i skåran.

► **Fig.36:** 1. Trådlös enhet 2. Utskjutande del 3. Lucka 4. Insänkt del

Öppna locket långsamt när du tar bort den trådlösa enheten. Krokarna på lockets baksida lyfter den trådlösa enheten när du drar upp locket.

► **Fig.37:** 1. Trådlös enhet 2. Krok 3. Lucka

När den trådlösa enheten tagits bort, ha den då i det tillhörande fodralet eller en behållare med skydd mot statisk laddning.

**OBSERVERA:** Använd alltid krokarna på lockets baksida när du tar bort den trådlösa enheten. Om krokarna inte fångar upp den trådlösa enheten, stänger du locket helt och öppnar det långsamt igen.

## Verktysregistrering för dammsugaren

**OBS:** För verktysregistreringen krävs en Makita-dammsugare som har stöd för den trådlösa aktiveringsfunktionen.

**OBS:** Avsluta installationen av den trådlösa enheten till verktyget innan du inleder verktysregistreringen.

**OBS:** Använd inte avtryckaren under verktysregistreringen och vrid inte på strömbrytaren på dammsugaren.

**OBS:** Se också bruksanvisningen för dammsugaren.

Om du vill aktivera dammsugaren tillsammans med verktygets knappfunktion, ska du slutföra verktysregistreringen i förväg.

1. Installera batterierna till dammsugaren och verktyget.

2. Sätt dammsugarens stand-by-omkopplare på "AUTO".

► **Fig.38:** 1. Stand-by-omkopplare

3. Tryck på knappen för trådlös aktivering på dammsugaren i 3 sekunder tills lampan för trådlös aktivering blinkar grönt. Tryck sedan på knappen för trådlös aktivering på verktyget på samma sätt.

► **Fig.39:** 1. Knapp för trådlös aktivering 2. Lampa för trådlös aktivering

Om dammsugaren och verktyget har kopplats ihop ordentligt, kommer lamporna för trådlös aktivering att lysa grönt i 2 sekunder och börja blinka i blått.

**OBS:** Lamporna för trådlös aktivering slutar blinka grönt efter att 20 sekunder har gått. Tryck på knappen för trådlös aktivering på maskinen när lampan för trådlös aktivering på dammsugaren blinkar. Om lampan för trådlös aktivering inte blinkar grönt, trycker du kort på knappen för trådlös aktivering och håller in den igen.

**OBS:** När du utför två eller flera verktysregistreringar för en dammsugare avslutar du verktysregistreringarna en och en.

## Starta funktionen för trådlös aktivering

**OBS:** Avsluta verktysregistreringen för dammsugaren före den trådlösa aktiveringen.

**OBS:** Se också bruksanvisningen för dammsugaren.

Efter att ett verktyg registrerats till dammsugaren kommer den att köras automatiskt tillsammans med verktygets knappfunktion.

1. Installera den trådlösa enheten till verktyget.

2. Anslut dammsugarslangens till verktyget.

► **Fig.40**

3. Sätt dammsugarens stand-by-omkopplare på "AUTO".

► **Fig.41:** 1. Stand-by-omkopplare

4. Tryck kort på knappen för trådlös aktivering på verktyget. Lampan för trådlös aktivering blinkar blått.

► **Fig.42:** 1. Knapp för trådlös aktivering 2. Lampa för trådlös aktivering

5. Slå på verktyget. Kontrollera att dammsugaren är igång när verktyget används.

För att stoppa den trådlösa aktiveringen av dammsugaren trycker du på knappen för trådlös aktivering på verktyget.

**OBS:** Lampan för trådlös aktivering på verktyget slutar blinka blått när ingen användning har skett på 2 timmar. Sätt i så fall stand-by-omkopplaren på dammsugaren på "AUTO" och tryck igen på knappen för trådlös aktivering på verktyget.

**OBS:** Dammsugaren startar/stannar med en fördröjning. Det blir en tidsfördröjning när dammsugaren känner av en knappfunktion från verktyget.










**OBS:** Sändningsavståndet till den trådlösa enheten kan variera beroende på plats och omständigheter i omgivningen.

**OBS:** När två eller flera verktyg är registrerade till en dammsugare, kan dammsugaren gå igång även om du inte slår på verktyget eftersom en annan användare använder funktionen för trådlös aktivering.

## Beskrivning av status för lampan för trådlös aktivering

### ► Fig.43: 1. Lampa för trådlös aktivering

Lampan för trådlös aktivering visar status för den trådlösa aktiveringsfunktionen. Se innebörden av lampans status i tabellen nedan.

Status	Lampa för trådlös aktivering				Beskrivning
	Färg	 På	 Blinkar	Varaktighetstid	
Standby	Blå			2 timmar	Den trådlösa aktiveringen av dammsugaren är tillgänglig. Lampan släcks automatiskt när ingen användning har ägt rum på 2 timmar.
				När verktyget är igång.	Den trådlösa aktiveringen av dammsugaren är tillgänglig och verktyget är igång.
Verktysregistrering	Grön			20 sekunder	Redo för verktygsregistrering. Väntar på registrering från dammsugaren.
				2 sekunder	Verktysregistreringen har avslutats. Lampan för trådlös aktivering börjar blinka blått.
Upphåver verktygsregistrering	Röd			20 sekunder	Redo för att upphäva verktygsregistreringen. Väntar på upphävande från dammsugaren.
				2 sekunder	Upphävandet av verktygsregistreringen har avslutats. Lampan för trådlös aktivering börjar blinka blått.
Övriga	Röd			3 sekunder	Ström tillförs till den trådlösa enheten och funktionen för trådlös aktivering startar.
	Av	-		-	Den trådlösa aktiveringen av dammsugaren stoppas.

## Upphåver verktygsregistrering för dammsugaren

Utför följande rutin vid upphävande av verktygsregistreringen för dammsugaren.

1. Installera batterierna till dammsugaren och verktyget.
2. Sätt dammsugarens stand-by-omkopplare på "AUTO".

### ► Fig.44: 1. Stand-by-omkopplare

3. Tryck på knappen för trådlös aktivering på dammsugaren i 6 sekunder. Lampan för trådlös aktivering blinkar grönt och blir sedan röd. Tryck sedan på knappen för trådlös aktivering på verktyget på samma sätt.

### ► Fig.45: 1. Knapp för trådlös aktivering 2. Lampa för trådlös aktivering

Om upphävandet har utförts ordentligt, kommer lamporna för trådlös aktivering att lysa rött i 2 sekunder och börja blinka i blått.

**OBS:** Lamporna för trådlös aktivering slutar blinka rött efter att 20 sekunder har gått. Tryck på knappen för trådlös aktivering på maskinen när lampan för trådlös aktivering på dammsugaren blinkar. Om lampan för trådlös aktivering inte blinkar rött, trycker du kort på knappen för trådlös aktivering och håller in den igen.

## Felsökning för funktionen för trådlös aktivering

Innan du ber om reparation ska du först utföra en egen kontroll. Om du hittar ett problem som inte finns förklarat i bruksanvisningen ska du inte försöka att ta isär maskinen. Fråga istället ett auktoriserad servicecenter för Makita, och använd alltid reservdelar från Makita för reparationer.

Feltillstånd	Trolig orsak (felsfunktion)	Åtgärd
Lampan för trådlös aktivering lyser/ blinkar inte.	Den trådlösa enheten är inte installerad till verktyget. Den trådlösa enheten är felaktigt installerad till verktyget.	Installera den trådlösa enheten korrekt.
	Den trådlösa enhetens kontakt och/eller skåran är smutsig.	Torka försiktigt av damm och smuts på den trådlösa enhetens kontakt och rengör skåran.
	Knappen för trådlös aktivering på verktyget har inte tryckts.	Tryck kort på knappen för trådlös aktivering på verktyget.
	Stand-by-omkopplaren på dammsugaren är inte satt på "AUTO".	Sätt dammsugarens stand-by-omkopplare på "AUTO".
	Ingen strömtillförsel	Koppla in ström till verktyget och dammsugaren.
Kan inte avsluta verktygsregistrering/upphäva verktygsregistrering.	Den trådlösa enheten är inte installerad till verktyget. Den trådlösa enheten är felaktigt installerad till verktyget.	Installera den trådlösa enheten korrekt.
	Den trådlösa enhetens kontakt och/eller skåran är smutsig.	Torka försiktigt av damm och smuts på den trådlösa enhetens kontakt och rengör skåran.
	Stand-by-omkopplaren på dammsugaren är inte satt på "AUTO".	Sätt dammsugarens stand-by-omkopplare på "AUTO".
	Ingen strömtillförsel	Koppla in ström till verktyget och dammsugaren.
	Felaktig funktion	Tryck kort på knappen för trådlös aktivering och utför rutinerna för verktygsregistrering-/upphävande igen.
	Verktyget och dammsugaren är åtskilda från varandra (utanför sändningsområdet).	Se till att verktyget och dammsugaren hamnar närmare varandra. Det maximala sändningsavståndet är ca 10 m, men det kan variera beroende på omständigheterna.
	Innan verktygsregistreringen/-upphävandet avslutas: - verktygets omkopplare har slagits på, - strömknappen på dammsugaren har slagits på.	Tryck kort på knappen för trådlös aktivering och utför rutinerna för verktygsregistrering-/upphävande igen.
	Verktygsregistreringsrutinerna för verktyget eller dammsugaren har inte slutförts.	Utför verktygsregistreringsrutinerna för både verktyget och dammsugaren på samma gång.
	Radiostörningar från andra apparater som skapar högintensiva radiovågor.	Håll verktyget och dammsugaren borta från apparater som WiFi-enheter och mikrovågsugnar.
	Dammsugaren är inte igång samtidigt som verktygets knappfunktion.	Den trådlösa enheten är inte installerad till verktyget. Den trådlösa enheten är felaktigt installerad till verktyget.
Den trådlösa enhetens kontakt och/eller skåran är smutsig.		Torka försiktigt av damm och smuts på den trådlösa enhetens kontakt och rengör skåran.
Knappen för trådlös aktivering på verktyget har inte tryckts.		Tryck kort på knappen för trådlös aktivering och försäkra dig om att lampan för trådlös aktivering blinkar blått.
Stand-by-omkopplaren på dammsugaren är inte satt på "AUTO".		Sätt dammsugarens stand-by-omkopplare på "AUTO".
Fler än 10 verktyg är registrerade till dammsugaren.		Utför verktygsregistreringen igen. Om fler än 10 verktyg är registrerade till dammsugaren, blir det verktyg som registrerades tidigast automatiskt upphävt.
Dammsugaren har raderat alla verktygsregistreringar.		Utför verktygsregistreringen igen.
Ingen strömtillförsel		Koppla in ström till verktyget och dammsugaren.
Verktyget och dammsugaren är åtskilda från varandra (utanför sändningsområdet).		Se till att verktyget och dammsugaren hamnar närmare varandra. Det maximala sändningsavståndet är ca 10 m, men det kan variera beroende på omständigheterna.
Radiostörningar från andra apparater som skapar högintensiva radiovågor.		Håll verktyget och dammsugaren borta från apparater som WiFi-enheter och mikrovågsugnar.
Dammsugaren är igång när verktyget inte används.		Stäng av de andra verktygens knappar för trådlös aktivering eller upphäv verktygsregistreringen för de andra verktygen.

## UNDERHÅLL

**⚠FÖRSIKTIGT:** Se alltid till att maskinen är avstängd och batterikassetten borttagen innan inspektion eller underhåll utförs.

**⚠FÖRSIKTIGT:** Rensa ut de övre och nedre skydden för att se till inga sågspån har samlats där som kan hämma det nedre skyddssystemets funktion. Ett smutsigt skyddssystem kan leda till att verktyget inte fungerar som det ska, vilket kan leda till allvariga personsador. Det effektivaste rengörings-sättet är med tryckluft. **Om du blåser ut sågspån från skyddet ska du se till att ha ordentliga ögon- och andningskydd.**

**⚠FÖRSIKTIGT:** Torka av sågdamm från maskinen efter varje användning. Det kan hända att fint sågdamm hamnar inuti maskinen och orsakar funktionsfel eller brand.

**OBSERVERA:** Använd inte bensin, förtunningsmedel, alkohol eller liknande. Missfärgning, deformation eller sprickor kan uppstå.

För att upprätthålla produktens SÄKERHET och TILLFÖRLITLIGHET bör allt underhålls- och justeringsarbete utföras av ett auktoriserat Makita servicecenter och med reservdelar från Makita.

### Ställa in noggrannhet för 0°-skär eller 45°-skär

**OBSERVERA:** Aktivera inte spärrarna för -1° vinkelsågning när du ställer in noggrannhet för 0°-skär.

**OBSERVERA:** Aktivera inte lägesstoppet för 22,5° eller 60° vinkelsågning när du ställer in noggrannhet för 45°-skär.

Denna inställning har utförts i fabriken. Om den är rubbad kan du justera den med följande procedur.

1. Lossa låsskruvarna fram och bak på maskinen så att vinkeln för vinkelsågning kan ändras. Ställ in lägesstoppet på 45° vinkel för vinkelsågning om du ska ställa in noggrannhet för 45°-skär.

► **Fig.46:** 1. Spännskruv 2. Lägesstopp

2. Ställ in basen vinkelrätt eller 45° med cirkelsågbladet med en vinkelhake genom att vrida på justerskruven med en insexnyckel. Du kan även använda en vinkellinjal för att ställa in 0° vinkel.

► **Fig.47:** 1. Vinkelhake

► **Fig.48:** 1. Justerskruv för 0° vinkel 2. Justerskruv för 45° vinkel

3. Dra åt låsskruvarna och gör en testsågning för att kontrollera om önskad vinkel erhållits.

## Justera djupanslaget

Om basen inte glider upp eller ner smidigt kan djupanslaget ha lutats. Du kan justera djupanslaget på följande sätt:

1. Gör bottenplattan vinkelrät och ställ in sågdjupet på det djupaste.
2. Lossa djupanslagets inställningsskruvar. Djupanslaget ställer in sin position automatiskt.
3. Dra åt djupanslagets inställningsskruvar.
4. Justera parallelliteten enligt avsnittet för parallellitet.

► **Fig.49:** 1. Djupanslagets inställningsskruvar

## Justera parallellitet

**⚠FÖRSIKTIGT:** Var noga med parallelliteten. Annars kan cirkelsågbladet fastna i styrskenan och den skadade styrskenan kan orsaka skada.

Denna inställning har utförts i fabriken. Om den är rubbad kan du justera den med följande procedur.

1. Ställ in maskinen på max sågdjup.
2. Kontrollera att alla spakar och skruvar är åtdragna.
3. Lossa skruvarna enligt bilden.
4. Medan du öppnar det nedre skyddet flyttar du den bakre delen av bottenplattan så att avståndet mellan A och B är samma.

► **Fig.50:** 1. Skruv 2. Bas

5. Dra åt skruvarna och gör en testsågning för att kontrollera parallelliteten.

## VALFRIA TILLBEHÖR

**⚠FÖRSIKTIGT:** Följande tillbehör eller tillsatser rekommenderas för användning med den Makita-maskin som denna bruksanvisning avser. Om andra tillbehör eller tillsatser används kan det uppstå risk för personsador. Använd endast tillbehören eller tillsatserna för de syften de är avsedda för.

Kontakta ditt lokala Makita servicecenter om du behöver ytterligare information om dessa tillbehör.

- Cirkelsågklinga
- Bottenplatta
- Styrskena
- Vinkelskena
- Klämma
- Skiva
- Gummiskiva
- Positionsskiva
- Insexnyckel
- Främre koppling 24
- Trådlös enhet
- Makitas originalbatteri och -laddare

**OBS:** Några av tillbehören i listan kan vara inkluderade i maskinpaketet som standardtillbehör. De kan variera mellan olika länder.

## TEKNISKE DATA

Modell:		HS011G		
Bladdiameter		255 mm	260 mm	270 mm
Maks. skjæredybde	ved 0°	94 mm	97 mm	101 mm
	ved 45° skjæring	65 mm	68 mm	71 mm
	ved 60° skjæring	45 mm	48 mm	51 mm
Hastighet uten belastning		3 500 min <sup>-1</sup>		
Samlet lengde		453 mm		
Nominell spenning		DC 36 V - 40 V maks.		
Nettovekt		5,5 - 6,7 kg		

- På grunn av vårt kontinuerlige forsknings- og utviklingsprogram kan spesifikasjonene som oppgis i dette dokumentet endres uten varsel.
- Spesifikasjoner og batteriinnsett kan variere fra land til land.
- Vekten kan variere avhengig av tilbehøret/tilbehørene, inkludert batteriet. Den letteste og tyngste kombinasjonen, i henhold til EPTA-prosedyre 01/2014, vises i tabellen.

### Passende batteri og lader

Batteriinnsett	BL4020 / BL4025 / BL4040 / BL4050F* / BL4080F* * : Anbefalt batteri
Lader	DC40RA / DC40RB / DC40RC

- Noen av batteriene og laderne som er opplistet ovenfor er kanskje ikke tilgjengelige, avhengig av hvor du bor.

**⚠ ADVARSEL: Bruk kun de batteriene og laderne som er opplistet ovenfor.** Bruk av andre batterier og ladere kan føre til personskader og/eller brann.

### Riktig bruk

Verktøyet er beregnet på saging av langsgående og tversgående rette snitt og gjæringsnitt med vinkler i tre, mens det er i tett kontakt med arbeidsemnet.

### Støy

Typisk A-vektet lydtryknivå er bestemt i henhold til EN62841-2-5:

Lydtryknivå ( $L_{pA}$ ): 93 dB (A)

Lydeffektnivå ( $L_{WA}$ ): 104 dB (A)

Usikkerhet (K): 3 dB (A)

**MERK:** Den/de oppgitte verdien(e) for genererte vibrasjoner har blitt målt i henhold til standard testmetoder, og kan bli brukt til å sammenligne ett verktøy med et annet.

**MERK:** Den/de angitte verdien(e) for de genererte vibrasjonene kan også brukes til en foreløpig vurdering av eksponeringen.

**⚠ ADVARSEL: Bruk hørselsvern.**

**⚠ ADVARSEL: De genererte vibrasjonene ved faktisk bruk av elektroverktøyet kan avvike fra den/de angitte vibrasjonsverdien(e), avhengig av hvordan verktøyet brukes.**

**⚠ ADVARSEL: Sørg for å identifisere vernetiltak for å beskytte operatøren, som er basert på et estimat av eksponeringen under de faktiske bruksforholdene (idet det tas hensyn til alle deler av driftssyklusen, dvs. hvor lenge verktøyet er slått av, hvor lenge det går på tomgang og hvor lenge startbryteren faktisk holdes trykket).**

### Vibrasjoner

Den totale vibrasjonsverdien (triaksial vektorsum) bestemt i henhold EN62841-2-5:

Arbeidsmodus: saging av tre

Genererte vibrasjoner ( $a_{h,w}$ ): 2,5 m/s<sup>2</sup> eller mindre  
Usikkerhet (K): 1,5 m/s<sup>2</sup>

**MERK:** Den/de oppgitte verdien(e) for totalt genererte vibrasjoner har blitt målt i henhold til standard testmetoder, og kan bli brukt til å sammenligne ett verktøy med et annet.

**MERK:** Den/de angitte verdien(e) for totalt genererte vibrasjoner kan også brukes til en foreløpig vurdering av eksponeringen.



**⚠ ADVARSEL:** De genererte vibrasjonene ved faktisk bruk av elektroverktøyet kan avvike fra den/de angitte vibrasjonsverdien(e), avhengig av hvordan verktøyet brukes og spesielt i forhold til arbeidsstykket som blir behandlet.

**⚠ ADVARSEL:** Sørg for å identifisere vernetil-tak for å beskytte operatøren, som er basert på et estimat av eksponeringen under de faktiske bruksforholdene (idet det tas hensyn til alle deler av driftssyklusen, dvs. hvor lenge verktøyet er slått av, hvor lenge det går på tomgang og hvor lenge startbryteren faktisk holdes trykket).

## EFs samsvarserklæring

*Gjelder kun for land i Europa*

EFs samsvarserklæring er lagt til som vedlegg A i denne bruksanvisningen.

## SIKKERHETSADVARSEL

### Generelle advarsler angående sikkerhet for elektroverktøy

**⚠ ADVARSEL:** Les alle sikkerhetsadvarsler, instruksjoner, illustrasjoner og spesifikasjoner som følger med dette elektroverktøyet. Hvis ikke alle instruksjonene nedenfor følges, kan det forekomme elektrisk støt, brann og/eller alvorlig skade.

## Oppbevar alle advarsler og instruksjoner for senere bruk.

Uttrykket «elektrisk verktøy» i advarslene refererer både til elektriske verktøy (med ledning) tilkoblet strømnettet, og batteridrevne verktøy (uten ledning).

## Sikkerhetsadvarsler for batteridrevet sirkelsag

### Skjæreprosedyrer

- 1. ⚠ FARE:** Hold hendene unna kappeområdet og bladet. Hold den andre hånden på hjelpéhåndtaket eller motorhuset. Hvis du holder sagen med begge hendene, risikerer du ikke at de blir skåret av bladet.
- 2. Ikke strekk deg under arbeidsstykket.** Bladvernet kan ikke beskytte deg mot bladet under arbeidsemnet.
- 3. Juster dybden på kutt til tykkelsen på arbeidsstykket.** Mindre enn en hel sagtann skal være synlig nedenfor arbeidsemnet.
- 4. Du må aldri holde arbeidsstykket med hendene eller la det ligge tvers over bena dine når det kuttes. Sikre arbeidsstykket på en stødig plattform.** Det er viktig å støtte arbeidsstykket ordentlig for å gjøre risikoen minst mulig for å få skader, for at bladet skal sette seg fast, eller for at du skal miste kontrollen.

► Fig.1

- 5. Hold elektroverktøyet i de isolerte gripeflatene når skjæreverktøyet kan komme i kontakt med skjulte ledninger under arbeidet.** Kontakt med en strømførende ledning kan føre til at metalldelelene på elektroverktøyet også blir strømførende, og kan gi brukeren elektrisk støt.
- 6. Ved kløyving må du alltid bruke et parallellanlegg eller en føring med rett kant.** Dette forbedrer nøyaktigheten av kuttet og reduserer risikoen for at bladet skal sette seg fast.
- 7. Det må alltid brukes blader med riktig størrelse og form (diamant eller rund) på akselhullet.** Blader som ikke passer til monteringsmekanismen på sagen vil svive ute av senter og bli umulige å kontrollere.
- 8. Bruk aldri mellomleggsskiver til bladet eller en bolt som er skadd eller ikke passer.** Mellomleggskivene for bladet og bolten er spesielt utformet for sagen, for optimal ytelse og sikker drift.

### Tilbakeslag oppstår og relaterte advarsler

- Tilbakeslag er en plutselig reaksjon på et klemt, fastsittende eller feiljustert sagblad, som kan føre til at en sag som ikke holdes godt fast blir løftet opp og ut av arbeidsstykket, og mot operatøren.
- Når bladet kommer i klem eller setter seg fast ved et snittet lukker seg, stopper bladet, og motoren driver enheten hurtig tilbake mot operatøren.
- Hvis bladet blir vridd eller feiljustert i snittet, vil tennene i bakkant av bladet grave seg inn i den øvre kanten av arbeidsemnet, slik at bladet arbeider seg ut av snittet og spretter tilbake mot operatøren.

Tilbakeslag er et resultat av feil bruk av sagen og/eller feilaktige arbeidsprosedyrer eller arbeidsforhold, og kan unngås hvis man tar de rette forholdsregler (se nedenfor).

- 1. Hold sagen i et fast grep med begge hender, og hold armene dine slik at de kan motstå kraften fra sagen i tilfelle den slår tilbake mot deg. Posisjoner kroppen på den ene siden av bladet, men ikke på linje med det.** Tilbakeslag kan føre til at sagen hopper bakover. Tilbakeslagene kan imidlertid kontrolleres av brukeren, hvis brukeren tar de rette forholdsreglene.
- 2. Når bladet setter seg fast, eller når du av en eller annen grunn vil avbryte sagingen, må du slippe startbryteren og holde sagen i ro i materialet inntil bladet har stoppet helt. Du må aldri forsøke å fjerne sagen fra arbeidsemnet eller å trekke den bakover mens bladet er i bevegelse, da dette kan få sagen til å slå tilbake.** Undersøk hvorfor bladet setter seg fast og sett i verk avhjelpende tiltak.
- 3. Når du starter sagen i arbeidsstykket igjen, må du sentrere sagbladet i snittet slik at sagtennene ikke griper inn i materialet.** Hvis et sagblad sitter fast, kan det løfte seg opp eller føre til at sagen slår tilbake mot deg når den startes igjen.
- 4. Støtt opp større plater for å redusere risikoen så mye som mulig for at bladet kommer i bekning, og for tilbakeslag.** Større plater har en tendens til å bøye seg under sin egen vekt. Støttene må plasseres under platen på begge sider, nær kappelinjen og nær kantene av platen.

► Fig.2

► Fig.3

5. **Ikke bruk sløve eller ødelagte blad.** Uskarpe eller feilaktig innstilte blad gir trangt snitt, noe som forårsaker kraftig friksjon, får bladet til å sette seg fast og resulterer i at sagen slår tilbake mot operatøren.
  6. **Dette kan medføre tilbakeslag (kickback) som kan gi alvorlige personskader.** Bladdybden og låsehendlene for avfasingjusteringen må være strammet og festet før snittet gjøres.
  7. **Vær ekstra forsiktig når du sager i eksisterende vegger eller andre områder uten innsyn.** Det fremstikkende bladet kan treffe gjenstander som kan forårsake tilbakeslag.
  8. **Hold ALLTID maskinen fast med begge hender. Plasser ALDRI hånden, benet eller noen annen kroppsdel under maskinfoten eller bak sagen, særlig når du sager på tvers.** Hvis det skjer et tilbakeslag, kan sagen lett komme til å hoppe bakover over hånden din og forårsake alvorlige helseeskader.
- Fig.4
9. **Bruk aldri makt på sagen. Skyv sagen fremover med en slik hastighet at bladet skjærer uten å miste fart.** Hvis du bruker makt på sagen, kan det gi ujevne snitt, uøyaktighet og muligheter for tilbakeslag.

#### Vernfunksjon

1. **Sjekk at det nedre vernet er ordentlig lukket før hver gang maskinen tas i bruk. Ikke begynn å bruke sagen hvis det nedre vernet ikke beveger seg fritt og lukker seg momentant. Det nedre vernet må aldri klemmes fast eller bindes opp i åpen stilling.** Hvis sagen ved et ulykkestilfelle skulle falle ned, kan det nedre vernet bli bøyd. Løft det nedre vernet med hevehendelen og forvisse deg om at det beveger seg fritt og ikke berører bladet eller andre deler, uansett snittvinkel eller -dybde.
2. **Kontroller at fjæren til det nedre vernet virker som den skal. Hvis vernet og fjæren ikke fungerer som de skal, må de etterses før bruk.** Det nedre vernet kan gå tregt pga. ødelagte deler, gummiavleiringer eller opphopning av spon.
3. **Det nedre vernet kan trekkes tilbake manuelt bare i forbindelse med spesielle typer snitt, som f.eks. innstikk og kombinasjonssaging.** Hev det nedre vernet ved hjelp av hevehendelen og slipp det så snart bladet går inn i materialet. For all annen saging bør det nedre vernet få lov til å fungere automatisk.
4. **Pass på at det nedre vernet alltid dekker bladet før du setter sagen ned på benken eller gulvet.** Et beskyttet, roterende blad vil få sagen til å bevege seg bakover mens bladet kapper alt som kommer i dets vei. Vær oppmerksom på at bladet trenger en viss tid for å stoppe etter at bryteren er sluppet.
5. **Kontroller det nedre vernets funksjon ved å åpne det for hånd, slippe det og kontrollere at det lukkes. Kontroller også at hevehendelen ikke berører verktøyhuset.** Et eksponert blad er SVÆRT FARLIG og kan føre til alvorlig personskade.

#### Flere sikkerhetsadvarsler

1. **Vær ekstra forsiktig ved skjæring i fuktig tre, trykkbehandlet tømmer eller tømmer med kvist.** Unngå overoppheting av bladspissene ved å bevege bladet jevnt fremover uten reduksjon i bladhastigheten.
2. **Ikke forsøk å fjerne kapp mens bladet er i bevegelse. Vent til bladet stopper før du griper det materialet som er kappet.** Bladene roterer fritt etter at maskinen er slått av.
3. **Unngå å skjære i spiker. Se etter og fjern all spiker fra arbeidsemnet før arbeidet påbegynnes.**
4. **Sett den bredeste delen av sagfoten på den delen av arbeidsemnet som er godt støttet opp, ikke på den delen som kommer til å falle av når snittet er fullført.** Hvis arbeidsemnet er kort eller lite, må det klemmes fast. **IKKE FORSØK Å HOLDE KORTE STYKKER MED HÅNDEN!**

#### ► Fig.5

5. **Før du setter verktøyet ned etter å ha fullført et kutt, må du forvisse deg om at vernet er lukket og at bladet har stoppet helt.**
6. **Forsøk aldri å sage mens sirkelsagen holdes opp ned i en skrustikke.** Dette er ekstremt farlig og kan forårsake alvorlige ulykker.

#### ► Fig.6

7. **Enkelte materialer inneholder kjemikalier som kan være giftige. Treff tiltak for å hindre hudkontakt og innånding av støv. Følg leverandørens sikkerhetsanvisninger.**
8. **Ikke stopp bladene ved å presse sideveis på sagbladet.**
9. **Ikke bruk slipeskiver.**
10. **Bruk bare sagbladet med diameter som er merket på verktøyet eller spesifisert i håndboken.** Bruk av et blad med feil størrelse kan påvirke riktig beskyttelse av bladet eller bruk av bladvernet, som kan resultere i alvorlig personskade.
11. **Hold bladet skarpt og rent.** Harpiks og bek som størkner på bladene reduserer turtallet på sagen og øker risikoen for tilbakeslag. Hold bladet rent ved først å ta det av verktøyet og deretter gjøre det rent med en harpiks- og bekfjerner, varmt vann eller parafin. Du må aldri bruke bensin.
12. **Bruk en støvmaske og hørselsvern når du bruker verktøyet.**
13. **Bruk alltid sagbladet som er beregnet på kutting av materialet som du skal kutte.**
14. **Bruk bare sagbladene som er merket med en hastighet som er lik eller høyere enn hastigheten som er merket på verktøyet.**
15. **(Kun land i Europa.)** Bruk alltid bladet som overholder EN847-1.
16. **Plasser verktøyet og delene på et flatt og stabilt underlag.** Ellers kan verktøyet eller delen falle ned og forårsake personskade.

## TA VARE PÅ DISSE INSTRUKSENE.

**⚠ADVARSEL:** IKKE LA hensynet til hva som er "behagelig" eller det faktum at du kjenner produktet godt (etter mange gangers bruk) gjøre deg mindre oppmerksom på sikkerhetsreglene for bruken av det aktuelle produktet. Ved MISBRUK eller hvis ikke sikkerhetsreglene i denne bruksanvisningen følges, kan det oppstå alvorlig personskade.

## Viktige sikkerhetsanvisninger for batteriinnsetts

1. Før du begynner å bruke batteriet, må du lese alle anvisninger og forsiktighetsregler på (1) batteriladeren, (2) batteriet og (3) det produktet batteriet skal brukes i.
2. Ikke demonter eller tukle batteriet. Det kan føre til brann, overoppheting eller eksplosjon.
3. Hvis driftstiden er blitt vesentlig kortere, må du omgående slutte å bruke maskinen. Hvis ikke kan resultatet bli overoppheting, mulige forbrenninger eller til og med en eksplosjon.
4. Hvis du får elektrolytt i øynene, må du skylle dem med store mengder rennende vann og oppsøke lege med én gang. Denne typen uhell kan føre til varig blindhet.

### 5. Ikke kortslutt batteriet:

- (1) De kan være ekstremt varme og du kan brenne deg.
- (2) Ikke lagre batteriet i samme beholder som andre metallgjenstander, som for eksempel spiker, mynter osv.
- (3) Ikke la batteriet komme i kontakt med vann eller regn.

En kortslutning av batteriet kan føre til et kraftig strømstøt, overoppvarming, mulige forbrenninger og til og med til at batteriet går i stykker.

6. Ikke oppbevar og bruk verktøyet og batteriet på steder hvor temperaturen kan komme opp i eller overskride 50 °C.
7. Ikke sett fyr på batteriet, ikke engang om det er sterkt skadet eller helt utslitt. Batteriet kan eksplodere hvis det begynner å brenne.
8. Du må ikke spikre, skjære, klemme, kaste eller miste batteriet, og heller ikke slå en hard gjenstand mot batteriet. En slik oppførsel kan føre til brann, overoppheting eller eksplosjon.
9. Ikke bruk batterier som er skadet.
10. Lithium-ion-batteriene som medfølger er gjenstand for krav om spesialavfall. For kommersiell transport, f.eks av tredjeparter eller speditorer, må spesielle krav om pakking og merking følges. Før varen blir sendt, må du forhøre deg med en ekspert på farlig materiale. Ta også hensyn til muligheten for mer detaljerte nasjonale bestemmelser. Bruk teip eller maskeringsteip for å skjule åpne kontakter og pakk inn batteriet på en slik måte at den ikke kan bevege seg rundt i emballasjen.
11. Når du kasserer batteriinnsettsen, må du ta den ut av verktøyet og avhende den på et sikkert sted. Følg lokale bestemmelser for avhendig av batterier.
12. Bruk batteriene kun med produkter spesifisert av Makita. Montere batteriene i produkter som ikke er konforme kan føre til brann, overheting eller elektrolyttlekkasje.
13. Hvis verktøyet ikke skal brukes over en lengre periode, må batteriet tas ut av verktøyet.
14. Under og etter bruk kan batteriet bli varmt og føre til brannskader. Vær forsiktig med håndteringen av varme batterier.

15. Ikke berører terminalen på verktøyet rett etter bruk, da den kan bli varm og forårsake brannskader.
16. Ikke la spon, støv eller jord sette seg fast i terminalene, hullene og sporene i batteriet. Det kan føre til at batteriet eller verktøyet blir overopphet, begynner å brenne, sprekker eller ikke fungerer som det skal, og forårsake brannskader eller personskade.
17. Med mindre verktøyet støtter bruk nær en høyspent strømlinje, skal ikke batteriet brukes nær en høyspent strømlinje. Det kan føre til en funksjonsfeil eller at verktøyet eller batteriet slutter å fungere.
18. Oppbevar batteriet utilgjengelig for barn.

## TA VARE PÅ DISSE INSTRUKSENE.

**⚠FORSIKTIG:** Bruk kun originale Makita-batterier. Bruk av batterier som har endret seg, eller som ikke er originale Makita-batterier, kan føre til at batteriet sprekker og forårsaker brann, personskader og andre skader. Det vil også ugyldiggjøre garantien for Makita-verktøyet og -laderen.

## Tips for å opprettholde maksimal batterilevetid

1. Lad batteriinnsettsen før den er helt utladet. Stopp alltid driften av verktøyet og lad batteriinnsettsen når du merker at effekten reduseres.
2. Lad aldri en batteriinnsetts som er fulladet. Overopplading forkorter batteriets levetid.
3. Lad batteriet i romtemperatur ved 10 °C - 40 °C. Et varmt batteri må kjøles ned før lading.
4. Når batteriet ikke er bruk, skal det tas ut av verktøyet eller laderen.
5. Lad batteriet hvis det ikke har vært brukt på en lang stund (over seks måneder).

## Viktige sikkerhetsanvisninger for trådløs enhet

1. Du må ikke demontere eller tukle med den trådløse enheten.
2. Hold den trådløse enheten unna små barn. Hvis enheten ved et uhell svelges, skal lege kontaktes umiddelbart.
3. Den trådløse enheten skal kun brukes med Makita-verktøy.
4. Ikke utsett den trådløse enheten for regn eller fuktighet.
5. Ikke bruk den trådløse enheten på steder den temperaturen overskrider 50 °C.
6. Ikke bruk den trådløse enheten på steder der medisinsk utstyr, som pacemakere, er i nærheten.
7. Ikke bruk den trådløse enheten på steder der automatiserte enheter er i nærheten. Hvis automatiserte enheter tas i bruk, kan det oppstå en funksjonssvikt eller feil.
8. Ikke bruk den trådløse enheten på steder med høye temperaturer eller der det kan genereres statisk elektrisitet eller elektrisk støv.

9. Den trådløse enheten kan skape elektromagnetiske felt (EMF), men de er ikke skadelige for brukeren.
10. Den trådløse enheten er presisjonsinstrument. Vær forsiktig så du ikke mister eller utsetter den trådløse enheten for slag.
11. Unngå å berøre den trådløse enhetens tilkoblingspunkt med ubeskyttede hender eller metallmaterialer.
12. Du må alltid ta batteriet ut av produktet når du skal installere den trådløse enheten.
13. Når du skal åpne sporets lokk, må du unngå steder der støv og vann kan trenge inn i sporet. Du må alltid sørge for at sporets innløp er rent.
14. Sett alltid den trådløse enheten inn i riktig retning.
15. Ikke trykk for hardt på trådløseknappen på den trådløse enheten, og trykk heller ikke på knappen med en gjenstand med skarp kant.
16. Du må alltid lukke sporets lokk under bruk.
17. Ikke fjern den trådløse enheten fra sporet mens verktøyet forsynes med strøm. Det kan føre til en funksjonsfeil i den trådløse enheten.
18. Ikke fjern klebemerket på den trådløse enheten.
19. Ikke sett klebemerker på den trådløse enheten.
20. Ikke etterlat den trådløse enheten på et sted der det kan genereres statisk elektrisitet eller elektrisk støv.
21. Ikke etterlat den trådløse enheten på et sted der den kan utsettes for mye varme, som i en bil som er parkert i solen.
22. Ikke etterlat den trådløse enheten på et sted med mye støv eller pulver, eller på et sted der det kan genereres korroderende gass.
23. En plutselig temperaturendring kan få den trådløse enheten til å dugge. Ikke bruk den trådløse enheten før duggen har tørket helt bort.
24. Når du rengjør den trådløse enheten, tørker du forsiktig av den med en tørr, myk klut. Ikke bruk bensin, tynner, ledende fett eller lignende.
25. Når den trådløse enheten skal lagres, oppbevar den i esken som følger med eller en beholder som ikke er statisk.
26. Ikke sett andre enheter med Makitas trådløse enhet inn i sporet på verktøyet.
27. Ikke bruk verktøyet hvis sporets lokk er skadet. Vann, støv, smuss som trenger inn i sporet kan føre til funksjonsfeil.
28. Ikke dra i og/eller vri sporets lokk mer enn nødvendig. Sett lokket tilbake på plass hvis det løsner fra verktøyet.
29. Erstatt sporets lokk hvis det går tapt eller blir skadet.

## TA VARE PÅ DISSE INSTRUKSENE.

## FUNKSJONSBEKRIVELSE

**⚠FORSIKTIG:** Forviss deg alltid om at maskinen er slått av og batteriet tatt ut før du justerer maskinen eller kontrollerer dens mekaniske funksjoner.

### Sette inn eller ta ut batteri

**⚠FORSIKTIG:** Slå alltid av verktøyet før du setter inn eller fjerner batteriet.

**⚠FORSIKTIG:** Hold verktøyet og batteripatronen i et fast grep når du monterer eller fjerner batteripatronen. Hvis du ikke holder verktøyet og batteripatronen godt fast, kan du miste grepet, og dette kan føre til skader på verktøyet og batteripatronen samt personskader.

► **Fig.7:** 1. Rød indikator 2. Knapp 3. Batteriinnsats

For å ta ut batteriet må du skyve på knappen foran på batteriet og trekke det ut.

Når du skal sette inn batteriet, må du plassere tungen på batteriet på linje med sporet i huset og skyve batteriet på plass. Skyv det helt inn til det går i inngrep med et lite klikk. Hvis du kan se den røde indikatoren som vist i figuren, er det ikke helt låst.

**⚠FORSIKTIG:** Batteriet må alltid settes helt inn, så langt at den røde indikatoren ikke lenger er synlig. Hvis dette ikke gjøres, kan batteriet falle ut av verktøyet og skade deg eller andre som oppholder seg i nærheten.

**⚠FORSIKTIG:** Ikke bruk makt når du setter i batteriet. Hvis batteriet ikke glir lett inn, er det fordi det ikke settes inn på riktig måte.

### Batterivernsystem for verktøy/batteri

Verktøyet er utstyrt med et batterivernsystem for verktøy/batteri. Dette systemet slår automatisk av strømmen til motoren for å forlenge verktøyets og batteriets levetid. Verktøyet stopper automatisk under drift hvis verktøyet eller batteriet utsettes for en av følgende tilstander. Indikatorene lyser i noen tilfeller.

### Overlastsikring

Når verktøyet/batteriet brukes på en måte som gjør at det bruker unormalt mye strøm, stopper verktøyet automatisk. I denne situasjonen må du slå av verktøyet og stanse bruken som forårsaket at verktøyet ble overbelastet. Slå deretter verktøyet på for å starte det igjen.

### Overopphetingsvern

Når verktøyet/batteriet blir overopphetet, stopper verktøyet automatisk. I denne situasjonen må du la verktøyet kjøle seg ned før du slår det på igjen.

**MERK:** Lampen blinker når verktøyet er overopphetet.

## Overutladingsvern

Når det blir lite batteri igjen, stopper verktøyet automatisk. Hvis produktet ikke går selv om bryterne aktiveres, må du ta batteriene ut av verktøyet og lade batteriene.

## Vern mot andre årsaker

Vernesystemet er også laget for beskyttelse av andre grunner som kan skade verktøyet og gjøre at det stanser automatisk. Ta alle de følgende forholdsreglene for å fjerne årsakene til at verktøyet har stanset midlertidig mens det er i drift.





















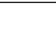






1. Skru av verktøyet og sår skruer du verktøyet på igjen for å starte på nytt.
2. Lad opp batteriet/ene eller skift det/dem ut med oppladde batteri(er).
3. La både verktøyet og batteriet/ene kjøle seg ned.

Hvis det ikke blir noen bedring ved å gjenopprette vernesystemet, ta kontakt med det lokale Makita servicesenteret.

## Indikere gjenværende batterikapasitet

Trykk på sjekk-knappen på batteriet for vise gjenværende batterikapasitet. Indikatorlampene lyser i et par sekunder.

► **Fig.8:** 1. Indikatorlamper 2. Kontrollknapp

Indikatorlamper			Gjenværende batterinivå
 Tent	 Av	 Blinker	
			75 % til 100 %
			50 % til 75 %
			25 % til 50 %
			0 % til 25 %
			Lad batteriet.
			Batteriet kan ha en feil.
			
			

**MERK:** Det angitte nivået kan avvike noe fra den faktiske kapasiteten alt etter bruksforholdene og den omgivende temperaturen.

**MERK:** Den første (helt til venstre) indikatorlampen vil blinke når batterivernsystemet fungerer.

## Bryterfunksjon

**⚠ ADVARSEL:** Før du setter batteriet inn i maskinen, må du alltid kontrollere at startbryteren aktiverer maskinen på riktig måte og går tilbake til «AV»-stilling når den slippes.

**⚠ ADVARSEL:** ALDRI sett avsperringsknappen ute av funksjon ved å for eksempel teipe over den. En defekt avsperringsknapp kan føre til at maskinen aktiveres utilsiktet og alvorlige personskader kan oppstå.

**⚠ ADVARSEL:** Maskinen må ALDRI brukes hvis den begynner å gå bare du trykker på startbryteren, uten at du må trykke på avsperringsknappen også. En skadet/defekt bryter kan føre til at maskinen aktiveres utilsiktet og alvorlige personskader kan oppstå. Returner maskinen til et Makita-servicesenter for å få den reparert FØR videre bruk.

For å unngå at startbryteren trykkes inn ved en feiltakelse, er maskinen utstyrt med en avsperringsknapp. Trykk på avsperringsknappen og startbryteren for å starte sagen. Slipp opp bryteren for å stanse verktøyet.  
► **Fig.9:** 1. Startbryter 2. AV-sperreknapp

**OBS:** Ikke press hardt på startbryteren uten å trykke inn AV-sperreknappen. Dette kan fl bryteren til i brette.

**⚠ FORSIKTIG:** Verktøyet starter straks nedbremsing av sirkelsagbladet så snart du har sluppet startbryteren. Hold godt fast i verktøyet som motvekt til reaksjonen til bremsen når du slipper startbryteren. Plutselig reaksjon kan gjøre at verktøyet glipper ut av hånden din og forårsake personskade.

## Justere skjæredybden

**⚠ FORSIKTIG:** Når du har justert skjæredybden, må du alltid stramme hendelen godt.

Løse hendelen på dybdeføringen, og beveg foten opp eller ned. Fest foten ved ønsket skjæredybde ved å stramme hendelen.

For at sagingen skal bli renere og sikrere må du stille inn skjæredybden slik at ikke mer enn én sagtann stikker ut under arbeidsstykket. Hvis skjæredybden er riktig, reduseres risikoen for farlige TILBAKESLAG som kan forårsake personskade.

► **Fig.10:** 1. Spak

**OBS:** Hvis foten ikke glir jevnt opp og ned, er det mulig at dybdeføringsskinnen sitter skjevt. I dette tilfellet, juster dybdeføringsskinnen (se i avsnittet om justering av dybdeføringsskinnen).

## Skråskjæring

**⚠FORSIKTIG:** Etter at du har justert skråvinkelen, må du alltid stramme klemskruene godt.

Løsne klemskruene. Still inn ønsket vinkel ved å vippe på verktøyet, og stram deretter klemskruen godt.

► **Fig.11:** 1. Klemmeskrue

## Positiv stopper

Den positive stopperen er nyttig når du vil stille inn ønsket vinkel raskt. Drei den positive stopperen slik at pilen på den peker på ønsket skråvinkel (ca. 22,5°/45°/60°). Løsne spaken, og vipp deretter verktøyfoten til den stopper. Stillingen der verktøyfoten stopper, er vinkelen du stilte inn med den positive stopperen. Stram spaken med verktøyfoten i denne stillingen.

► **Fig.12:** 1. Positiv stopper

## -1° skråskjæring

Hvis du vil utføre -1° skråskjæring, løsner du klemskruene og trykker hendlene mot pilens retning i figuren. Deretter stiller du skråvinkelen på -1° og strammer klemskruene.

► **Fig.13:** 1. Hendel

## Sikting

For rette kutt, sett innstillingen foran på verktøyet på 0° og jevnt med skjærelinjen. For 45° skråsnitt, sett innstillingen på 45° jevnt med skjærelinjen.

► **Fig.14:** 1. Skjærelinje (0°-posisjon) 2. Skjærelinje (45°-posisjon)

## Tenne lampen

**⚠FORSIKTIG:** Ikke se inn i lyset eller se direkte på lyskilden.

For å slå på lampen uten å kjøre verktøyet, må du trekke i startbryteren uten å trykke på knappen for sperre-av.

For å slå på lampen når verktøyet kjører, må du trykke og holde på knappen for sperre-av og trekke i startbryteren. Lampen slukker 10 sekunder etter at startbryteren er sluppet.

► **Fig.15:** 1. Lampe

**MERK:** Bruk en tørr klut til å tørke støv osv. av lampelinsen. Vær forsiktig så det ikke blir riper i lampelinsen, da dette kan redusere lysstyrken.

## Elektrisk brems

Dette verktøyet er utstyrt med elektrisk bladbrem. Hvis verktøyet aldri stopper sirkelsagbladet raskt når startbryteren slippes, må du få gjennomført service ved et Makita servicesenter.

**⚠FORSIKTIG:** Bladbremssystemet er ikke en erstatning for bladvern. **MASKINEN MÅ ALDRI BRUKES UTEN ET FUNKSJONERENDE BLADVERN. DETTE KAN FØRE TIL ALVORLIG PERSONSKADE.**

## Elektronisk funksjon

Verktøy som er utstyrt med elektroniske funksjoner er enkle i bruk på grunn av følgende funksjon(er).

### Mykstartfunksjon

Myk start fordi startrykket undertrykkes.

### Konstant hastighetskontroll

Elektronisk hastighetskontroll for å oppnå konstant hastighet. Slik oppnår du god utførelse, fordi rotasjons-hastigheten holdes konstant selv under belastning.

## MONTERING

**⚠FORSIKTIG:** Forviss deg alltid om at maskinen er slått av og batteriet tatt ut før du utfører noe arbeid på maskinen.

## Oppbevare sekskantnøkkel

Når sekskantnøkkelen ikke er i bruk, må du oppbevare den som vist i figuren, slik at du ikke mister den.

► **Fig.16:** 1. Sekskantnøkkel

## Montere underfot

Monter underfoten, og trekk til klemskruene godt som vist i figuren. Bruk alltid verktøyet med underfoten med mindre du bruker føringsskinnen.

► **Fig.17:** 1. Klemmeskrue 2. Underfot

## Montere eller fjerne sirkelsagblad

**⚠FORSIKTIG:** Sørg for at sirkelsagbladet monteres med tennene pekende opp foran på verktøyet.

**⚠FORSIKTIG:** Bruk bare Makita-nøkkelen til å montere eller fjerne sirkelsagbladet.

1. Løsne spaken på dybdeføringen, og beveg foten opp eller ned.

► **Fig.18:** 1. Spak

2. Monter den indre flensen, ringen (landsspesifikk), sirkelsagbladet, den ytre flensen og sekskanbolt. Innrett pilretningen på bladet med pilretningen på verktøyet.

### For verktøy uten ring

► **Fig.19:** 1. Sekskantbolt 2. Ytre flens 3. Sirkelsagblad 4. Indre flens 5. Pil på sirkelsagbladet 6. Pil på verktøyet

### For verktøy med ring

► **Fig.20:** 1. Sekskantbolt 2. Ytre flens 3. Sirkelsagblad 4. Ring 5. Indre flens 6. Pil på sirkelsagbladet 7. Pil på verktøyet

3. Trykk spindellåsen helt inn slik at sirkelsagbladet ikke kan rotere, og bruk sekskantnøkkel til å stramme til sekskanbolt.

► **Fig.21:** 1. Spindellås 2. Sekskantnøkkel 3. Løsne 4. Stramme

Ta av sirkelsagbladet ved å følge fremgangsmåten for montering i motsatt rekkefølge.



## For verktøy med indre flens for sagblad med en annen hulldiameter enn 15,88 mm

Den indre flensen har et visst diameterfremspring på den ene siden og et annet diameterfremspring på den andre siden. Velg den korrekte siden hvor fremspringet passer perfekt i hullet på sagbladet. Monter den indre flensen på festeakslingen slik at det riktige fremspringet på innerflensen vender utover og plasser deretter sagbladet og den ytre flensen.

- **Fig.22:** 1. Monteringsskaf 2. Indre flens  
3. Sirkelsagblad 4. Ytre flens  
5. Sekskantskrue

**⚠ ADVARSEL: PASS PÅ Å STRAMME SEKSKANTSKRUE FORSVARLIG MED KLOKKEN.** Du må også sørge for at skruen ikke strammes for hardt. Hvis hånden glipper fra sekskantnøkkelen, kan det medføre personskade.

**⚠ ADVARSEL: Pass på at fremspringet «a» på den indre flensen som er posisjonert på utsiden passer perfekt i hullet på sagbladet «a».** Hvis bladet monteres på feil side, kan det resultere i farlig vibrasjon.

## For verktøy med innvendig flens for sagblad med 15,88 mm hulldiameter (bestemmes for hvert land)

Monter den indre flensen med den nedsenkede siden utover på festeakslingen og plasser sagbladet, ytterflensen og sekskantskrue (med ringen satt på om nødvendig).

### For verktøy uten ringen

- **Fig.23:** 1. Monteringsskaf 2. Indre flens  
3. Sirkelsagblad 4. Ytre flens  
5. Sekskantskrue

### For verktøy med ringen

- **Fig.24:** 1. Monteringsskaf 2. Indre flens  
3. Sirkelsagblad 4. Ytre flens  
5. Sekskantskrue 6. Ring

**⚠ ADVARSEL: PASS PÅ Å STRAMME SEKSKANTSKRUE FORSVARLIG MED KLOKKEN.** Du må også sørge for at skruen ikke strammes for hardt. Hvis hånden glipper fra sekskantnøkkelen, kan det medføre personskade.

**⚠ ADVARSEL: Hvis ringen er nødvendig for å montere bladet på spindelen, må du forsikre deg om at korrekt akselhulling er satt inn mellom de indre og ytre flensene. Hvis du bruker feil akselhulling, kan bladet bli feilmontert.** Ved bruk av feil akselhullskive vil bladet kanskje ikke monteres riktig. Dette kan føre til at bladet begynner å vandre og vibrere kraftig, at du mister kontrollen over maskinen under arbeidet og til alvorlige helseskader.

## Rengjøring av bladvern

Når du skifter sirkelsagblad, må du også rengjøre de øverste og nederste bladvernene for akkumulert sagflis, som nevnt i avsnittet Vedlikehold. Du må imidlertid fortsatt kontrollere at nedre bladvern virker før hver gangs bruk.

### Koble til støvsuger

#### Valgfritt tilbehør

Hvis du vil sage så rent som mulig, kan du koble en Makita-støvsuger til verktøyet. Deretter kobler du støvsugerslangen til støvmunnstykket med frontmansjettene 24.

- **Fig.25:** 1. Støvsugerslange 2. Frontmansjett 24  
3. Støvmunnstykke

### Justere vinkel på støvmunnstykket

Vinkelen på støvmunnstykket kan justeres ved å rotere munnstykket.

Når verktøyet brukes uten tilkobling til en støvsuger, vend støvmunnstykket nedover for å forhindre at operatøren blir utsatt for sagmugg.

Når verktøyet brukes med tilkobling til en støvsuger, vend støvmunnstykket oppover for å forhindre at slangen til støvsugeren kommer borti arbeidsstykket eller føringskinnen.

- **Fig.26:** 1. Støvmunnstykke

## BRUK

Dette verktøyet er bare beregnet til saging av treprodukter.

Se på nettstedet vårt eller kontakt den lokale Makita-forhandleren for riktige sirkelsagblad til materialet som skal skjæres.

Du må ikke bruke verktøyet uten underfoten med mindre du bruker føringskinnen.

### Funksjonskontroll av bladvernet

Fjern batteriet.

Sett skjæringsvinkelen til 0°, og så trekker du det nedre bladvernet manuelt helt til enden og slipper deg. Det nedre vernet virker som det skal hvis;

- det trekkes tilbake over foten uten noen hindringer og
- det går tilbake automatisk og får kontakt med stopperen.

- **Fig.27:** 1. Øvre vern 2. Nedre vern 3. Fot 4. Stopper  
5. Åpne 6. Lukke

Hvis det nedre vernet ikke virker som det skal, må du kontrollere om det har samlet seg opp sagflis inne i øvre og nedre vern. Hvis det nedre vernet ikke virker som det skal, selv etter at støvet er fjernet, må du levere verktøyet til et Makita servicesenter.



## Saging

**⚠️ FORSIKTIG:** Bruk en støvmaske når du sager.

**⚠️ FORSIKTIG:** Sørg for å bevege verktøyet pent fremover i en rett linje. Hvis du bruker makt på eller vrir verktøyet, vil motoren bli overopphetet og maskinen kan slå tilbake mot brukeren. Dette er farlig og kan gi alvorlige personskader.

**MERK:** Maskinen fungerer ikke som tiltenkt når batteritemperaturen er for lav. Bruk maskinen til lett saging inntil batteriet er oppvarmet til romtemperatur. Deretter kan maskinen brukes med full kapasitet.

### ► Fig.28

Hold godt fast i verktøyet. Verktøyet leveres både med fremre og bakre håndtak. Bruk begge for å få best mulig tak på maskinen. Hvis du holder sagen med begge hendene, unngår du å skjære deg på sirkelsagbladet. Sett foten på det arbeidsstykket som skal kappes, uten at sirkelsagbladet kommer borti arbeidsstykket. Slå deretter på maskinen, og vent til sirkelsagbladet oppnår full hastighet. Nå kan du ganske enkelt bevege sagen over overflaten på arbeidsemnet, holde den flatt og bevege den langsomt forover til sagingen er ferdig. For å få rene kutt må du sage i rett linje og med jevn hastighet. Hvis kuttet ikke følger skjærelinjen helt, må du ikke forsøke å dreie eller tvinge verktøyet tilbake til skjærelinjen. Hvis du gjør det, kan sirkelsagbladet sette seg fast og gi farlige tilbakeslag som kan føre til alvorlige kader. Slipp bryteren, vent til sirkelsagbladet stopper og trekk ut maskinen. Still inn maskinen på en ny skjærelinje og begynn sagingen på nytt. Forsøk å unngå en plassering som utsetter operatøren for en sprut av flis og sagmugg fra sagen. Bruk øyevern for å redusere risikoen for skader.

**MERK:** Når du foretar et gjæringskutt osv., kan det noen ganger hende at det nedre vernet beveger seg tregt. I slike tilfeller må du bruke løftespaken for å heve det nedre vernet slik at du kan starte skjæringen, og slippe spaken straks bladet går inn i materialet.

### ► Fig.29: 1. Hevespak

## Underfot (føringslinjal)

**⚠️ FORSIKTIG:** Pass på at underfoten (føringslinjalen) sitter godt fast i riktig posisjon før bruk. Feil tilbehør kan forårsake farlige tilbakeslag.

Hvis du bruker underfoten som en føringslinjal, kan du utføre ekstra nøyaktig rett saging. Løsne klemskruene, og skyv underfoten ut fra verktøyet. Sett den deretter inn opp ned.

### ► Fig.30: 1. Klemskrue 2. Underfot

Skyv vernet på underfoten tett opp til siden av arbeidsstykket, og fest det i stilling med klemskruene. Det gjør det dessuten mulig å skjære gjentatte ganger med samme bredde.

### ► Fig.31: 1. Klemskrue 2. Underfot

## Føringsskinne

### Valgfritt tilbehør

**⚠️ FORSIKTIG:** Forviss deg alltid om at maskinen er slått av og batteriet tatt ut før du utfører noe arbeid på maskinen.

**OBS:** Ta av foten når du bruker føringsskinnen.

Plasser verktøyet på den bakre enden av føringsskinnen. Drei to justeringsskruer på verktøyfoten slik at verktøyet glir jevnt uten å skrangle. Hold godt fast i både frontgrepet og det bakre håndtaket. Sett inn batteriinnsetningen. Slå på verktøyet og skjær flisvernet langs hele lengden med én slaglengde. Kanten på flisvernet svarer nå til skjærekanten.

### ► Fig.32: 1. Justeringsskruer

Ved skråskjæring med føringsskinnen bruker du skyvehendelen for å forhindre at verktøyet velter.

Flytt skyvehendelen på verktøyfoten i pilens slik at den går i inngrep med undersnittporet i føringsskinnen.

### ► Fig.33: 1. Skyvehendel

## TRÅDLØSAKTIVERINGSFUNKSJON

### Hva du kan gjøre med trådløsaaktiveringsfunksjonen

Trådløsaaktiveringsfunksjonen muliggjør ren og behagelig bruk. Hvis du kobler en støttet støvsuger til verktøyet, kan du bruke støvsugeren automatisk sammen med verktøyets bryterfunksjon.

### ► Fig.34

Hvis du vil bruke trådløsaaktiveringsfunksjonen, må du klargjøre følgende elementer:

- En trådløs enhet (valgfritt tilbehør)
- En støvsuger som støtter trådløsaaktiveringsfunksjonen

Oversikten over innstillingen for trådløsaaktiveringsfunksjonen er som følger. Du finner detaljerte fremgangsmåter i hver enkelt del.

1. Installere den trådløse enheten
2. Verktøyregistrering for støvsugeren
3. Starte trådløsaaktiveringsfunksjonen

## Installere den trådløse enheten

### Valgfritt tilbehør

**⚠ FORSIKTIG:** Plasser verktøyet på et flatt og stabilt underlag når du skal installere den trådløse enheten.

**OBS:** Fjern støv og smuss på verktøyet før du installerer den trådløse enheten. Støv eller smuss kan føre til funksjonsfeil hvis det trenger inn i den trådløse enhetens spor.

**OBS:** For å unngå funksjonsfeil som følge av statisk elektrisitet, berører du et statisk utladningsmateriale, som en av verktøyets metalldele, før du tar i den trådløse enheten.

**OBS:** Når du installerer den trådløse enheten, må du passe på at den trådløse enheten settes inn i riktig rettet og at lokket lukkes helt igjen.

1. Åpne lokket på verktøyet som vist i figuren.

▶ **Fig.35:** 1. Lokk

2. Sett den trådløse enheten inn i sporet, og lukk lokket.

Når du setter inn den trådløse enheten, innretter du fremspringene med de utsparte delene på sporet.

▶ **Fig.36:** 1. Trådløs enhet 2. Fremspring 3. Lokk 4. Utspart del

Når du fjerner den trådløse enheten, må du åpne lokket sakte. Krokene på baksiden av lokket vil løfte den trådløse enheten når du drar i lokket.

▶ **Fig.37:** 1. Trådløs enhet 2. Krok 3. Lokk

Etter at du har fjernet den trådløse enheten, oppbevarer den i esken som følger med eller en beholder som ikke er statisk.

**OBS:** Du må alltid bruke krokene på baksiden av lokket når du fjerner den trådløse enheten. Hvis krokene ikke hekter seg fast i den trådløse enheten, lukker du lokket helt og åpner det sakte på nytt.

## Verktøyregistrering for støvsugeren

**MERK:** En Makita-støvsuger som støtter trådløse aktiveringsfunksjonen er nødvendig for verktøyregistrering.

**MERK:** Fullfør installasjonen av den trådløse enheten i verktøyet før du starter verktøyregistreringen.

**MERK:** Du må ikke dra i startbryteren eller slå på strømbryteren på støvsugeren under verktøyregistrering.

**MERK:** Les i tillegg brukerveiledningen for støvsugeren.

Hvis du ønsker å aktivere støvsugeren sammen med verktøyets bryterfunksjon, må du fullføre verktøyregistreringen på forhånd.

1. Sett batteriene i støvsugeren og verktøyet.

2. Still ventebryteren på støvsugeren på "AUTO".

▶ **Fig.38:** 1. Ventebryter

3. Trykk på trådløse aktiveringsknappen på støvsugeren i 3 sekunder til trådløse aktiveringslampen blinker grønt. Deretter trykker du på trådløse aktiveringsknappen på verktøyet på samme måte.

▶ **Fig.39:** 1. Trådløse aktiveringsknapp

2. Trådløse aktiveringslampe

Hvis koblingen av støvsugeren og verktøyet lykkes, vil trådløse aktiveringslampene lyse grønt i 2 sekunder og begynner å blinke blått.

**MERK:** Trådløse aktiveringslampene slutter å blinke grønt når det har gått 20 sekunder. Trykk på trådløse aktiveringsfunksjonen på verktøyet mens trådløse aktiveringslampen på støvsugeren blinker. Hvis trådløse aktiveringslampen ikke blinker grønt, trykker du på trådløse aktiveringsknappen et kort øyeblikk og holder den inne igjen.

**MERK:** Når du utfører to eller flere verktøyregistreringer for én støvsuger, fullfører du verktøyregistreringen en etter en.

## Starte trådløse aktiveringsfunksjonen

**MERK:** Fullfør verktøyregistreringen for støvsugeren før trådløse aktivering.

**MERK:** Les i tillegg brukerveiledningen for støvsugeren.

Etter at et verktøy er registrert til støvsugeren, vil støvsugeren automatisk svive sammen med verktøyets bryterfunksjon.

1. Installer den trådløse enheten i verktøyet.

2. Koble støvsugerens slange til verktøyet.

▶ **Fig.40**

3. Still ventebryteren på støvsugeren på "AUTO".

▶ **Fig.41:** 1. Ventebryter

4. Trykk et kort øyeblikk på trådløse aktiveringsknappen på verktøyet. Trådløse aktiveringslampen vil blinke blått.

▶ **Fig.42:** 1. Trådløse aktiveringsknapp

2. Trådløse aktiveringslampe

5. Slå på verktøyet. Kontroller om støvsugeren går mens verktøyet er i drift.

Hvis du vil stanse støvsugerens trådløse aktivering, trykker du på trådløse aktiveringsknappen på verktøyet.

**MERK:** Trådløse aktiveringslampen på verktøyet vil slutte å blinke blått når verktøyet ikke har blitt brukt på 2 timer. Da setter du i tilfelle ventebryteren på støvsugeren på "AUTO" og trykker på trådløse aktiveringsknappen på verktøyet igjen.

**MERK:** Støvsugeren starter/stopper med en forsinkelse. Det er en tidsforsinkelse når støvsugeren oppdater at en bryter på verktøyet er trykket på.

**MERK:** Det trådløse enhetens overføringsavstand kan variere avhengig av sted og omgivelsesforhold.

**MERK:** Når to eller flere verktøy er registrert til én støvsuger, kan det hende at støvsugeren begynner å kjøre selv om du ikke slår på verktøyet fordi en annen bruker bruker trådløse aktiveringsfunksjonen.

## Beskrivelse av trådløsaktiveringslampe

### ► Fig.43: 1. Trådløsaktiveringslampe

Trådløsaktiveringslampe viser statusen til trådløsaktiveringsfunksjonen. Du finner informasjon om lampestatusens betydning i tabellen nedenfor.

Status	Trådløsaktiveringslampe				Beskrivelse
	Farge	 På	 Blinker	Varighet	
Ventemodus	Blå			2 timer	Trådløsaktivering av støvsugeren er tilgjengelig. Lampen vil slå seg av når verktøyet ikke har blitt brukt på 2 timer.
				Når verktøyet sviver.	Trådløsaktivering av støvsugeren er tilgjengelig, og verktøyet sviver.
Verktøyregistrering	Grønn			20 sekunder	Klar for verktøyregistrering. Venter på registrering av støvsugeren.
				2 sekunder	Verktøyregistreringen er fullført. Trådløsaktiveringslampe vil begynne å blinke blått.
Avbryte verktøyregistrering	Rød			20 sekunder	Klar for å avbryte verktøyregistrering. Venter på at støvsugeren skal avbryte.
				2 sekunder	Verktøyregistreringen er avbrutt. Trådløsaktiveringslampe vil begynne å blinke blått.
Andre	Rød			3 sekunder	Den trådløse enheten forsynes med strøm, og trådløsaktiveringsfunksjonen starter opp.
	Av	-		-	Trådløsaktivering av støvsugeren stanses.

## Avbryte verktøyregistrering for støvsugeren

Gå frem på følgende måte når du skal avbryte verktøyregistrering for støvsugeren.

1. Sett batteriene i støvsugeren og verktøyet.
2. Still ventebryteren på støvsugeren på "AUTO".

### ► Fig.44: 1. Ventebryter

3. Trykk på trådløsaktiveringsknappen på støvsugeren i 6 sekunder. Trådløsaktiveringslampe blinker grønt og blir deretter rød. Deretter trykker du på trådløsaktiveringsknappen på verktøyet på samme måte.

### ► Fig.45: 1. Trådløsaktiveringsknapp 2. Trådløsaktiveringslampe

Hvis avbrytingen er vellykket, vil trådløsaktiveringslampene lyse rødt i 2 sekunder og begynne å blinke blått.

**MERK:** Trådløsaktiveringslampene slutter å blinke rødt når det har gått 20 sekunder. Trykk på trådløsaktiveringsfunksjonen på verktøyet mens trådløsaktiveringslampe på støvsugeren blinker. Hvis trådløsaktiveringslampe ikke blinker rødt, trykker du på trådløsaktiveringsknappen et kort øyeblikk og holder den inne igjen.

## Feilsøking for trådløsaktiveringsfunksjonen

Inspiser utstyret selv før du bestiller reparasjon. Ikke prøv å demontere verktøyet hvis du finner et problem som ikke er forklart i brukerveiledningen. I stedet bør du ta kontakt med et av Makitas autoriserte servicesentre, som alltid bruker reservedeler fra Makita til reparasjoner.

Unormal tilstand	Sannsynlig årsak (feil)	Løsning
Trådløsaktiveringslampan tennes/ blinker ikke.	Den trådløse enheten er ikke installert i verktøyet. Den trådløse enheten er installert på feil måte i verktøyet.	Installer den trådløse enheten på riktig måte.
	Det trådløse enhetens tilkoblingspunkt og/eller spor er tilsmusset.	Tørk forsiktig bort støv og smuss på den trådløse enhetens tilkoblingspunkt, og rengjør sporet.
	Du har ikke trykket på trådløsaktiveringsknappen.	Trykk et kort øyeblikk på trådløsaktiveringsknappen på verktøyet.
	Ventebryteren på støvsugeren er ikke stilt inn på "AUTO".	Still ventebryteren på støvsugeren på "AUTO".
	Ingen strømforsyning	Sørg for at verktøyet og støvsugeren har strømforsyning.
Kan ikke fullføre verktøyregistrering/ avbryte verktøyregistrering.	Den trådløse enheten er ikke installert i verktøyet. Den trådløse enheten er installert på feil måte i verktøyet.	Installer den trådløse enheten på riktig måte.
	Det trådløse enhetens tilkoblingspunkt og/eller spor er tilsmusset.	Tørk forsiktig bort støv og smuss på den trådløse enhetens tilkoblingspunkt, og rengjør sporet.
	Ventebryteren på støvsugeren er ikke stilt inn på "AUTO".	Still ventebryteren på støvsugeren på "AUTO".
	Ingen strømforsyning	Sørg for at verktøyet og støvsugeren har strømforsyning.
	Feil bruk	Trykk på trådløsaktiveringsknappen et kort øyeblikk, og utfør verktøyregistrering/avbryting på nytt.
	Verktøyet og støvsugeren er for langt unna hverandre (utenfor overføringsområdet).	Sørg for at verktøyet og støvsugeren er nærmere hverandre. Maksimal overføringsavstand er ca. 10 m, men den kan variere avhengig av forholdene.
	Før du fullfører verktøyregistrering/avbryting: - bryteren på verktøyet er slått på, eller - startknappen på støvsugeren er slått på.	Trykk på trådløsaktiveringsknappen et kort øyeblikk, og utfør verktøyregistrering/avbryting på nytt.
	Verktøyregistreringen for verktøyet eller støvsugeren er ikke fullført.	Følg fremgangsmåten for verktøyregistrering for både verktøyet og støvsugeren samtidig.
	Radioforstyrrelse fra andre innretninger som genererer radiobølger med høy intensitet.	Hold verktøyet og støvsugeren borte fra innretninger som WiFi-enheter og mikrobølgeovner.
	Støvsugeren svinger ikke sammen med verktøyet bryterfunksjon.	Den trådløse enheten er ikke installert i verktøyet. Den trådløse enheten er installert på feil måte i verktøyet.
Det trådløse enhetens tilkoblingspunkt og/eller spor er tilsmusset.		Tørk forsiktig bort støv og smuss på den trådløse enhetens tilkoblingspunkt, og rengjør sporet.
Du har ikke trykket på trådløsaktiveringsknappen.		Trykk på trådløsaktiveringsknappen et kort øyeblikk, og kontroller at trådløsaktiveringslampan blinker blått.
Ventebryteren på støvsugeren er ikke stilt inn på "AUTO".		Still ventebryteren på støvsugeren på "AUTO".
Mer enn 10 verktøy er registrert til støvsugeren.		Utfør verktøyregistreringen på nytt. Hvis mer enn 10 verktøy er registrert til støvsugeren, vil det først registrerte verktøyet bli fjernet automatisk.
Støvsugeren slettet alle verktøyregistreringer.		Utfør verktøyregistreringen på nytt.
Ingen strømforsyning		Sørg for at verktøyet og støvsugeren har strømforsyning.
Verktøyet og støvsugeren er for langt unna hverandre (utenfor overføringsområdet).		Sørg for at verktøyet og støvsugeren er nærmere hverandre. Maksimal overføringsavstand er ca. 10 m, men den kan variere avhengig av forholdene.
Radioforstyrrelse fra andre innretninger som genererer radiobølger med høy intensitet.		Hold verktøyet og støvsugeren borte fra innretninger som WiFi-enheter og mikrobølgeovner.
Støvsugeren går mens verktøyet ikke er i drift.		Andre brukere bruker støvsugerens trådløsaktivering med verktøyene sine.

## VEDLIKEHOLD

**⚠️FORSIKTIG:** Forviss deg alltid om at maskinen er slått av og batteriet tatt ut før du foretar inspeksjon eller vedlikehold.

**⚠️FORSIKTIG:** Rengjør øvre og nedre vern for å sikre at det ikke finnes oppsamlet sagspon som kan hindre betjening av nedre beskyttelsessystem. Et skittent beskyttelsessystem kan begrense forsvarlig drift og føre til alvorlig personskade. Den mest effektive måten å foreta denne rengjøringen på, er ved bruk av trykkluft. Hvis støvet blåses ut av vernene, pass på at det riktige øye- og åndedrettsvernet brukes.

**⚠️FORSIKTIG:** Etter hver bruk, må du tørke av sagspon fra verktøyet. Fint sagspon kan komme inn i verktøyet og forårsake feilfunksjon eller brann.

**OBS:** Aldri bruk gasolin, bensin, tynner alkohol eller lignende. Det kan føre til misfarging, deformering eller sprekkdannelse.

For å opprettholde produktets SIKKERHET og PALITELIGHET, må reparasjoner, vedlikehold og justeringer utføres av autoriserte Makita servicesentre eller fabrikkservicesentre, og det må alltid brukes reservedeler fra Makita.

## Justere 0°- eller 45°-skjærenøyaktighet

**OBS:** Hendlene for -1°-skråvinkel må ikke være i inngrep når du justerer 0°-skjærenøyaktighet.

**OBS:** Ikke aktiver den positive stopperen for 22,5° eller 60° skråvinkel når du justerer 45°-skjærenøyaktighet.

Denne justeringen er gjort på fabrikk. Men hvis den er unøyaktig, kan du justere i henhold til følgende prosedyre.

1. Løsne klemskruen foran og bak på verktøyet slik at skjæringsvinkelen kan endres. Sett den positive stopperen på stillingen 45° hvis du skal justere nøyaktigheten av 45°-skjæring.

► **Fig.46:** 1. Klemmeskrue 2. Positiv stopper

2. Gjør foten vinkelrett eller 45° i forhold til sirkelsagbladet ved hjelp av en trekantet linjal ved å justere skruen med en sekskantnøkkel. Du kan også bruke en vinkellinjal for å justere 0° vinkel.

► **Fig.47:** 1. Trekantlinjal

► **Fig.48:** 1. Justeringsskrue for 0° vinkel  
2. Justeringsskrue for 45° vinkel

3. Stram klemskruen, og foreta deretter en prøveskjæring for å kontrollere at ønsket vinkel er oppnådd.

## Justere dybdeføringen

Hvis foten ikke gli jevnt opp og ned, er det mulig at dybdeføringsskinnen sitter skjevt. Du kan justere dybdeføringen slik:

1. Gjør foten vinkelrett, og still inn skjæredybden på det dypeste.
2. Løsne justeringsskruene for dybdeføringen. Dybdeføringsskinnen justerer automatisk posisjonen.
3. Trekk til justeringsskruene for dybdeføring.
4. Juster parallelliteten ved å se i avsnittet om justering av parallellitet.

► **Fig.49:** 1. Justeringsskruer for dybdeføring

## Justering for parallelliseringen

**⚠️FORSIKTIG:** Hold parallelliteten nøyaktig. Ellers kan sirkelsagbladet sage seg inn i føringsskinnen og den skadde skinnen kan forårsake en personskade.

Denne justeringen er gjort på fabrikk. Men hvis den er unøyaktig, kan du justere i henhold til følgende prosedyre.

1. Sett verktøyet på maksimal skjæredybde.
2. Pass på at alle spaker og skuer er strammet.
3. Løsne skruene som vist i figuren.
4. Når du åpner det nedre vernet, flytter du fotens bakdel slik at avstanden mellom A og B blir lik.

► **Fig.50:** 1. Skru 2. Fot

5. Stram skruene, og foreta en prøveskjæring for å kontrollere parallellismen.

## VALGFRITT TILBEHØR

**⚠️FORSIKTIG:** Det anbefales at du bruker dette tilbehøret eller verktøyet sammen med den Makita-maskinen som er spesifisert i denne håndboken. Bruk av annet tilbehør eller verktøy kan forårsake personskader. Tilbehør og verktøy må kun brukes til det formålet det er beregnet på.

Ta kontakt med ditt lokale Makita-servicesenter hvis du trenger mer informasjon om dette tilbehøret.

- Sirkelsagblad
- Underfot
- Føringsskinne
- Fasettføring
- Klemme
- Ark
- Gummiark
- Posisjonsark
- Sekskantnøkkel
- Munnstykke 24
- Trådløs enhet
- Makita originalbatteri og lader

**MERK:** Enkelte elementer i listen kan være inkludert som standardtilbehør i verktøypakken. Elementene kan variere fra land til land.

## TEKNISET TIEDOT

Malli:		HS011G		
Terän halkaisija		255 mm	260 mm	270 mm
Suurin leikkaussyvyys	kulmassa 0°	94 mm	97 mm	101 mm
	viistossa 45°	65 mm	68 mm	71 mm
	viistossa 60°	45 mm	48 mm	51 mm
Nopeus ilman kuormaa		3 500 min <sup>-1</sup>		
Kokonaispituus		453 mm		
Nimellisjännite		D.C. 36 V - 40 V maks.		
Nettopaino		5,5 - 6,7 kg		

- Jatkuvasta tutkimus- ja kehitystyöstämme johtuen esitetyt tekniset tiedot saattavat muuttua ilman erillistä ilmoitusta.
- Tekniset tiedot ja akkupaketti voivat vaihdella maittain.
- Paino voi olla erilainen lisävarusteista sekä akusta johtuen. EPTA-menettelytavan 01/2014 mukaisesti, taulukossa on kuvattu kevyin ja painavin laiteyhdistelmä.

### Käytettävä akkupaketti ja laturi

Akkupaketti	BL4020 / BL4025 / BL4040 / BL4050F* / BL4080F* *: Suositeltu akku
Laturi	DC40RA / DC40RB / DC40RC

- Tiettyjä yläpuolella kuvattuja akkuja ja latureita ei ehkä ole saatavana asuinalueestasi johtuen.

**VAROITUS:** Käytä vain edellä eriteltyjä akkupaketteja ja latureita. Muiden akkupakettien ja laturien käyttäminen voi aiheuttaa loukkaantumisen ja/tai tulipalon.

### Käyttötarkoitus

Laite on tarkoitettu puun pitkäis-, poikkis- ja jiirisa-haukseen siten, että saha on koko ajan välittömässä kosketuksessa työkappaleeseen.

### Melutaso

Tyypillinen A-painotettu melutaso määräytyy standardin EN62841-2-5 mukaan:

Äänenpainetaso ( $L_{pA}$ ): 93 dB (A)

Äänen voiman taso ( $L_{WA}$ ): 104 dB (A)

Virhemarginaali (K): 3 dB (A)

**HUOMAA:** Ilmoitetut melutasoarvot on mitattu standarditestausmenetelmän mukaisesti ja niiden avulla voidaan vertailla työkaluja keskenään.

**HUOMAA:** Ilmoitettuja melutasoarvoja voidaan käyttää myös altistumisen alustavaan arviointiin.

**VAROITUS:** Käytä kuulosuojaimia.

**VAROITUS:** Sähkötyökalun käytön aikana mitattu melutasoarvo voi poiketa ilmoitetuista arvoista laitteen käyttötavan ja erityisesti käsiteltävän työkappaleen mukaan.

**VAROITUS:** Selvitä käyttäjän suojaamiseksi tarvittavat varoimet todellisissa käyttöolosuhteissa tapahtuvan arvioidun altistumisen mukaisesti (ottaen huomioon käyttöjaksen kokonaisuuressaan, myös jaksot, joiden aikana laite on sammutettuna tai käy tyhjäkäynnillä).

### Tärinä

Kokonaistärinä (kolmen akselin vektorien summa)

määräytyy standardin EN62841-2-5 mukaan:

Työtila: puun leikkaaminen

Tärinäpäästö ( $a_{h,w}$ ): 2,5 m/s<sup>2</sup> tai alaisempi

Virhemarginaali (K): 1,5 m/s<sup>2</sup>

**HUOMAA:** Ilmoitetut kokonaistärinäarvot on mitattu standarditestausmenetelmän mukaisesti ja niiden avulla voidaan vertailla työkaluja keskenään.

**HUOMAA:** Ilmoitettuja kokonaistärinäarvoja voidaan käyttää myös altistumisen alustavaan arviointiin.

**VAROITUS:** Sähkötyökalun käytön aikana mitattu todellinen tärinäpäästöarvo voi poiketa ilmoitetuista arvoista laitteen käyttötavan ja erityisesti käsiteltävän työkappaleen mukaan.

**VAROITUS:** Selvitä käyttäjän suojaamiseksi tarvittavat varoimet todellisissa käyttöolosuhteissa tapahtuvan arvioitun altistumisen mukaisesti (ottaen huomioon käyttäjäksi kokonaisuudessaan, myös jaksot, joiden aikana laite on sammutettuna tai käy tyhjäkäynnillä).

## EY-vaatimustenmukaisuusvakuutus

### Koskee vain Euroopan maita

EY-vaatimustenmukaisuusvakuutus on liitetty tähän käyttöoppaaseen.

## TURVAVAROITUKSET

### Sähkötyökalujen käyttöä koskevat yleiset varoitukset

**VAROITUS:** Tutustu kaikkiin tämän sähkötyökalun mukana toimitettuihin varoituksiin, ohjeisiin, kuviin ja teknisiin tietoihin. Seuraavassa lueteltujen ohjeiden noudattamatta jättäminen saattaa johtaa sähköiskuun, tulipaloon tai vakavaan vammautumiseen.

## Säilytä varoitukset ja ohjeet tulevaa käyttöä varten.

Varoituksissa käytettävällä termillä "sähkötyökalu" tarkoitetaan joko verkkovirtaa käyttävää (johdollista) työkalua tai akkukäyttöistä (johdotonta) työkalua.

## Akkukäyttöisen pyörösahan turvallisuusohjeet

### Sahausohjeet

- VAARA:** Pidä kädet loitolla sahauslinjalta ja terästä. Pidä toista kättä apukahvalla tai moottorin kotelon päällä. Jos pidät kiinni sahasta molemmin käsin, terä ei voi vahingoittaa käsiä.
- Älä korota työkappaleen alapuolelle.** Suojus ei suojaakaan terältä työkappaleen alapuolella.
- Säädä leikkaussyvyys työkappaleen paksuuden mukaan.** Pienempi osa kuin terän täysi hammas tulee olla näkyvillä työkappaleen alapuolella.
- Älä koskaan pidä työkappaletta käsissäsi tai jalkojesi välissä leikkaamisen aikana. Kiinnitä työkappale tukevaan jalustaan.** On tärkeää, että työkappale tuetaan luotettavasti loukkaantumisen, terän juuttumisen ja laitteen hallinnan menettämisen välttämiseksi.

► Kuva1

- Pidä sähkötyökalua vain sen eristetyistä tartuntapinnoista, kun on mahdollista, että sen leikkuuterä osuu pillossa oleviin johtoihin.** Jos sähkötyökalun metalliosa joutuu kosketukseen jännitteellisen virtajohdon kanssa, laitteen sähköä johtavat metalliosat voivat aiheuttaa käyttäjälle sähköiskun.
- Käytä halkaisuun aina halkaisu- tai sivuohjainta.** Se parantaa sahaustarkkuutta ja vähentää terän juuttumista.
- Käytä aina oikeankokoisia ja -muotoisia teriä (timantti vs. pyöreä).** Terät, jotka eivät sovi työkalun kiinnityslaitteisiin, pyörivät epäkeskeisesti ja aiheuttavat sahan ohjauksen menetyksen.
- Älä koskaan käytä viallisia tai vääriä terän aluslevyjä tai pulitteja.** Terän aluslaatat ja pulitit on suunniteltu erityisesti tälle sahalle ja takaavat parhaan suorituskyvyn ja turvallisuuden.

### Takapotku ja siihen liittyvät varoitukset

- takapotku on äkillinen reaktio, jonka aiheuttaa kiinni juuttunut, vääntynyt tai vääriin kohdistettu terä, joka saa sahan hypähtämään irti työkappaleesta käyttäjää kohti;
- jos terä juuttuu tai jumittuu tiukkaan sahausuraan, terä pysähtyy ja moottorin suojaus kääntää sen pyörimissuunnan nopeasti taaksepäin käyttäjää kohti;
- jos terä vääntyy tai sen kohdistus muuttuu sahaustessa, terän takoaan hampaat voivat pureutua puun pintakerrokseen, jolloin terä nousee ylös urasta ja saha ponnahtaa käyttäjään kohti.

Takapotku johtuu sahan virheellisestä käytöstä ja/tai vääristä käyttöolosuhteista. Takapotku voidaan välttää noudattamalla seuraavia varotoimia.

- Ota sahasta tukeva otte molemmin käsin ja pidä käsiä sellaisessa asennossa, että voit ottaa vastaan mahdollisen takapotkun aiheuttamat voimat. Sijoita vartalo jommallekummalle puolelle terää, mutta ei terän suuntaisesti.** Takapotku voi aiheuttaa sahan ponnahtamisen taaksepäin, mutta käyttäjä voi hallita sen voimat, jos takapotkuun varaudutaan asianmukaisin varotoimin.
- Jos terä jumittaa tai jos keskeytät leikkaamisen jostakin muusta syystä, vapauta liipaisin-kytkin ja pidä saha paikoillaan työkappaleessa, kunnes terä on täysin pysähtynyt. Älä koskaan yritä poistaa sahaa työkappaleesta tai vetää sahaa taaksepäin, kun terä liikkuu tai seurauksena voi olla takapotku.** Tutki ja korjaa mahdolliset syyt, jotka aiheuttavat terän jumittumisen.
- Kun saha käynnistetään uudelleen työkappaleessa, keskitä sahanterä sahausuraan ja tarkista, että sahan hampaat eivät ole kiinni materiaalissa.** Jos terä on jumissa, se saattaa hypähtää työkappaleesta tai aiheuttaa takapotkun käynnistettäessä sahaa uudelleen.
- Tue suuria paneeleja, jotta minimoit terien jumittumisen ja takapotkujen riskin.** Suurilla paneeleilla on tapana taipua oman painonsa vaikutuksesta. Levy on tuettava molemmilta puolilta sahauslinjan vierestä ja reunoilta.

► Kuva2

► Kuva3



5. **Älä käytä tylsiä tai vioittuneita teriä.** Tylsät tai väärin asetetut terät tekevät kapean sahausuran, josta on seurauksena ylimääräistä kitkaa, terän taipuminen ja takapotku.
6. **Terän syvyys ja viisteen säädön lukitusvivut on oltava tiukalla ennen leikkauksen suoritusta.** Jos terän asetus siirtyy leikkauksen aikana, seurauksena voi olla terän jumituminen ja takapotku.
7. **Ole erityisen varovainen, kun sahaat umpinaisia seinäpintoja tai jos et muuten näe sahattavaa kohdetta.** Läpituoneutuva terä voi leikata kohteita, jotka saattavat aiheuttaa takapotkun.
8. **PIDÄ AINA koneesta tukevasti molemmin käsin. ÄLÄ KOSKAAN pidä kättä, jalkaa tai muuta ruumiinosaa työkalun pohjan alapuolelle tai sahan taakse, varsinkaan katkaisussa.** Jos saha potkaisee taakse, se voi helposti ponnahtaa käsille ja aiheuttaa vakavia vammoja.

#### ► Kuva4

9. **Älä koskaan sahaa väkisin. Työnää sahaa eteenpäin sellaisella nopeudella, että terä leikkaa hidastumatta.** Sahan pakottaminen voi aiheuttaa epätasaista leikkauks jälkeä, tarkkuuden vähenemistä ja mahdollisesti takapotkun.

#### Suojuksen toiminta

1. **Varmista alasuojuksen sulkeutuminen ennen jokaista käyttökertaa. Älä käytä sahaa, jos alasuojus ei liiku vapaasti ja sulkeudu heti. Älä koskaan sido alasuojusta auki-asettoon.** Jos saha putoaa vahingossa, alasuojus voi taivuttua. Nosta alasuojusta sisään vedettävästä kahvasta ja varmista, että suojus liikkuu vapaasti eikä kosketa terää tai muita osia missään leikkaukskulmassa tai -syvyydessä.
2. **Tarkista alasuojuksen jousen toiminta. Jos suojus ja jousi eivät toimi oikein, ne tulee huoltaa ennen käyttöä.** Alasuojus saattaa toimia hitaasti johtuen vioittuneista osista, tahmeasta karstasta tai jäännösten kasautumisesta.
3. **Alasuojus voidaan vetää taakse käsin vain silloin, kun sahataan umpinaisia pintoja.** Nosta alasuojus vedettävästä kahvasta ja heti, kun terä leikkaa materiaalin, alasuojus tulee vapauttaa. Kaikessa muussa sahausuksessa alasuojuksen tulee antaa toimia automaattisesti.
4. **Huomioi aina, että alasuojus peittää terän ennen kuin asetat sahan penkille tai lattialle.** Suojaamaton ja vapaasti liikkuva terä voi aiheuttaa sahan siirtymisen taaksepäin leikaten mitä sen eteen tulee. Ota huomioon se aika, jonka terän pysähtyminen sahan sammuttamisen jälkeen vaatii.
5. **Voit tarkistaa alasuojuksen aavamalla sen käsin ja sitten vapauttamalla seuranen samalla, miten se sulkeutuu. Varmista myös, ettei sisään vedettävä kahva osu leikkurin koteloon.** Terän jättäminen ilman suojusta on ERITTÄIN VAARALLISTA ja voi johtaa vakaviin vammoihin.

#### Turvallisuutta koskevia lisävaroituksia

1. **Ole erityisen varovainen, jos sahaat kosteaa, painekyllästettyä tai oksaista puuta.** Vältä terän ylikuumentamista säätämällä terän nopeus sellaiseksi, että sahaus etenee sujuvasti terän nopeuden hidastumatta.

2. **Älä yritä poistaa leikattua materiaalia, kun terä on vielä liikkeessä. Odota, kunnes terä pysähtyy, ennen kuin tartut sahattuun kappaleeseen.** Terä pyörii vielä jonkin aikaa sen jälkeen, kun saha on sammutettu.
3. **Vältä naulojen sahaamista. Tarkista puutavara ja poista kaikki naulat ennen sahausta.**
4. **Aseta sahan alustan leveämpi puoli työkalupaleen tuetun osan päälle, älä sahattaessa irtoavan osan päälle. Jos työkalupale on lyhyt tai pieni, kiinnitä se ruuvipenkkiin. ÄLÄ YRITÄ PITÄÄ LYHYTTÄ TYÖKAPPALETTA PAIKOILLAAN KÄSIN!**

#### ► Kuva5

5. **Ennen sahan laskemista käsistäsä, varmista, että suojus on sulkeutunut ja terä on täysin pysähtynyt.**
6. **Älä koskaan yritä leikata sirkkelillä, joka on ylösalaisin viilapenkillä. Tämä on erittäin vaarallista ja voi johtaa vakaviin vammoihin.**

#### ► Kuva6

7. **Jotkin materiaalit sisältävät kemikaaleja, jotka voivat olla myrkyllisiä. Huolehdi siitä, että pölyn sisäänhengittäminen ja ihokosketus estetään. Noudata materiaalin toimittajan turvaohjeita.**
8. **Älä pysäytä teriä painamalla sivusta sahanterää.**
9. **Älä käytä minkäänlaisia hiomalaikkoja.**
10. **Käytä vain sahanteriä, joiden halkaisija on sama kuin työkaluun merkitty tai ohjekirjassa mainittu.** Vääränkokoisien terän käyttäminen voi vaikuttaa terän suojukseen tai itse terän toimivuuteen ja aiheuttaa vakavia vammoja.
11. **Pidä terät terävinä ja puhtaina.** Terään kovetunut pilkka hidastaa sahaamista ja lisää takapotkun vaaraa. Pidä terä puhtaana irrottamalla se sahausta ja puhdistamalla pilkkanpoistoneella, kuumalla vedellä tai petrolilla. Älä käytä koskaan puhdistukseen bensiiniä.
12. **Käytä työkalua käyttäessäsi hengitys- ja kuulosuojaimia.**
13. **Käytä aina sahattavalle materiaalille tarkoitettua sahanterää.**
14. **Käytä vain sahanteriä, joiden merkitty nopeus on vähintään yhtä suuri ta suurempi kuin työkaluun merkitty nopeus.**
15. **(Ainoastaan Euroopan valtiot) Käytä aina sahanteriä, jotka noudattavat standardin EN847-1 vaatimuksia.**
16. **Aseta työkalu ja osat tasaiselle ja vakaalle pinnalle.** Muutoin työkalu tai osat voivat pudota ja aiheuttaa vammoja.

## SÄILYTÄ NÄMÄ OHJEET.

**VAROITUS: ÄLÄ** anna työkalun helppokäyttöisyyden (toistuvan käytön aikaansaama) johtaa sinua väärrään turvallisuuden tunteeseen niin, että laiminlyöt työkalun turvaohjeiden noudattamisen. **VÄÄRINKÄYTTÖ** tai tässä käyttöohjeessa ilmoitettujen turvamääräysten laiminlyönti voi aiheuttaa vakavia henkilövahinkoja.

## Akkupakettia koskevia tärkeitä turvaohjeita

1. Ennen akun käyttöönottoa tutustu kaikkiin laturissa (1), akussa (2) ja akkukäyttöisessä tuotteessa (3) oleviin varoitusteksteihin.
2. Älä pura tai peukaloi imuria akkupakettia. Se voi johtaa tulipaloon, ylikuumentumiseen tai räjähdykseen.
3. Jos akun toiminta-aika lyhenee merkittävästi, lopeta akun käyttö. Seurauksena voi olla ylikuumentuminen, palovammoja tai jopa räjähdys.
4. Jos akkuneustettä pääsee silmiin, huuhtele puhtaalla vedellä ja hakeudu välittömästi lääkärin hoitoon. Akkuneuste voi aiheuttaa näön menetyksen.
5. Älä oikosulje akkua.

- (1) Älä koske akun napoihin millään sähköä johtavalla materiaalilla.
- (2) Vältä akun oikosulkemista äläkä säilytä akkua yhdessä muiden metalliesineiden, kuten naulojen, kolikoiden ja niin edelleen kanssa.
- (3) Älä aseta akkua alttiiksi vedelle tai sateelle.

Oikosulku voi aiheuttaa virtapiikin, ylikuumentumista, palovammoja tai laitteen rikkoutumisen.

6. Älä säilytä ja käytä työkalua ja akkupakettia paikassa, jossa lämpötila voi nousta 50 °C:een (122 °F) tai korkeammaksi.
7. Älä hävitä akkua polttamalla, vaikka se olisi pahoin vaurioitunut tai täysin loppuun kulunut. Avotuli voi aiheuttaa akun räjähtämisen.
8. Älä naulaa, leikkaa, purista, heitä tai pudota akkupakettia tai iske sitä kovia esineitä vasten. Tällaiset toimet voivat johtaa tulipaloon, ylikuumentumiseen tai räjähdykseen.
9. Älä käytä viallista akkua.
10. Sisältyviä litium-ioni-akkua koskevat vaarallisten aineiden lainsäädännön vaatimukset. Esimerkiksi kolmansien osapuolten huolintaliikkeiden tulee kaupallisissa kuljetuksissa noudattaa pakkaamista ja merkintöjä koskevia erityisvaatimuksia. Lähetettävän tuotteen valmistelu edellyttää vaarallisten aineiden asiantuntijan neuvontaa. Huomioi myös mahdollisesti yksityiskohtaisemmat kansalliset määräykset. Akun avoimet liittimet tulee suojata teipillä tai suojuksella ja pakkaaminen tulee tehdä niin, ettei akku voi liikkua pakkauksessa.
11. Kun akkupaketti on hävitettävä, poista se laitteesta ja hävitä se turvallisesti. Hävitä akku paikallisten määräysten mukaisesti.
12. Käytä akkuja vain Makitan ilmoittamien tuotteiden kanssa. Akkujen asentaminen yhteensopimattomiin tuotteisiin voi aiheuttaa tulipalon, liiallisen ylikuumentumisen, räjähdyksen tai akkuneustevuotoja.
13. Jos laitetta ei käytetä pitkään aikaan, akku on poistettava laitteesta.

14. Akkupaketin lämpötila voi käytön aikana ja sen jälkeen nousta niin kuumaksi, että se voi aiheuttaa palovammoja tai lieviä palovammoja. Käsittele kuumia akkupaketteja huolellisesti.
15. Älä kosketa työkalun liitintä välittömästi käytön jälkeen, sillä se voi olla riittävän kuumaa aiheuttamaan palovammoja.
16. Älä päästä lastuja, pölyä tai maata akkupaketin liittämiin, aukkoihin ja uriin. Se voi johtaa työkalun tai akkupaketin lämpenemiseen, syttymiseen, purkautumiseen tai toimintahäiriöön, mikä voi aiheuttaa palovammoja tai vammoja.
17. Ellei työkalu tue käyttöä korkeajännitelinjojen lähellä, älä käytä akkupakettia korkeajännitelinjojen lähellä. Se voi johtaa työkalun tai akkupaketin toimintahäiriöön tai rikkoutumiseen.
18. Pidä akku pois lasten ulottuvilta.

## SÄILYÄ NÄMÄ OHJEET.

**⚠HUOMIO:** Käytä vain alkuperäisiä Makita-akkuja. Muiden kuin aitojen Makita-akkujen, tai mahdollisesti muutettujen akkujen käyttö voi johtaa akun murtumiseen ja aiheuttaa tulipaloja, henkilö- ja omaisuusvahinkoja. Se mitätöi myös Makita-tökalun ja -laturin Makita-takuun.

## Vihjeitä akun käyttöön pidentämiseksi

1. Lataa akku ennen kuin se purkautuu täysin. Lopeta aina työkalun käyttö ja lataa akku, jos huomaat työkalun tehon vähenevän.
2. Älä koskaan lataa uudestaan täysin ladattua akkua. Ylilataaminen lyhentää akun käyttöikää.
3. Lataa akku huoneen lämpötilassa välillä 10 °C - 40 °C. Anna kuumen akun jäähtyä ennen lataamista.
4. Irrota akkupaketti työkalusta tai laturista, kun sitä ei käytetä.
5. Lataa akkupaketti, jos et käytä sitä pitkään aikaan (yli kuusi kuukautta).

## Langatonta yksikköä koskevat tärkeät turvallisuusohjeet

1. Älä pura tai peukaloi langatonta yksikköä.
2. Pidä langaton yksikkö lasten ulottumattomissa. Jos tuote niellään vahingossa, ota välittömästi yhteys lääkäriin.
3. Käytä langatonta yksikköä vain Makitan työkalujen kanssa.
4. Älä altista langatonta yksikköä sateelle tai kosteisiin olosuhteisiin.
5. Älä käytä langatonta yksikköä paikassa, jossa lämpötila voi nousta yli 50 °C.
6. Älä käytä langatonta yksikköä paikassa, jonka läheisyydessä on lääketieteellisiä instrumentteja, kuten sydämentahdistajia jne.
7. Älä käytä langatonta yksikköä paikassa, jonka läheisyydessä on automatisoituja laitteita. Toiminnallisena automatisoidut laitteet voivat aiheuttaa käyttöhäiriöitä tai virheitä.

8. Älä jätä langatonta yksikköä paikkaan, jonka lämpötila on suuri tai jossa voi muodostua staattista sähköä tai sähkökohinahäiriöitä.
9. Langaton yksikkö voi muodostaa käyttäjälle vaarattomia sähkömagneettikenttiä (EMF).
10. Langaton yksikkö on tarkkuuslaite. Varo kolhimasta tai pudottamasta langatonta yksikköä.
11. Vältä kosketelemasta langattoman yksikön liittintä paljain käsin tai metallisilla materiaaleilla.
12. Irrota akku laitteesta aina, kun laitteeseen asennetaan langaton yksikkö.
13. Avattaessa uran kantta, vältä paikkoja missä pöly ja vesi voivat päästä uraan. Pidä aina uran aukko puhtaana.
14. Aseta langaton yksikkö aina oikeassa suunnassa.
15. Älä paina langattoman yksikön langatonta aktivointipainiketta liian kovaa ja/tai paina painiketta teräväreunaisilla kohteilla.
16. Sulje aina uran kansi käytön aikana.
17. Älä irrota langatonta yksikköä urasta laitteen virransyötön aikana. Muussa tapauksessa voi seurauksena olla langattoman yksikön käyttöhäiriöitä.
18. Älä irrota langattoman yksikön tarraa.
19. Älä kiinnitä mitään tarroja langattomaan yksikköön.
20. Älä jätä langatonta yksikköä paikkaan, missä on staattista sähköä tai sähkökohinahäiriöitä voi muodostua.
21. Älä jätä langatonta yksikköä äärimmäisiin lämpötiloihin, kuten auton istuimelle auringonpaisteeseen.
22. Älä jätä langatonta yksikköä paikkaan, missä on pölyä tai jauheita tai syövyttäviä kaasuja voi muodostua.
23. Äkillinen lämpötilan vaihtelu voi kostuttaa langattoman yksikön. Älä käytä langatonta yksikköä ennenkuin kaste on täysin kuivunut.
24. Puhdista langaton yksikkö pyyhkimällä se kevyesti kuivalla liinalla. Älä käytä puhdistamiseen bensiiniä, tinneriä, johtavaa rasvaa tai vastaavaa.
25. Säilytä langatonta yksikköä mukana toimittussa kotelossa tai ei staattisessa säiliössä.
26. Älä liitä muita, kuin Makitan langattomia yksiköitä laitteen uraan.
27. Älä käytä laitetta uran kannen ollessa vaurioitunut. Uraan pääsevä vesi, pöly ja lika voivat aiheuttaa käyttöhäiriöitä.
28. Älä vedä ja/tai väännä uran kantta enempää kuin on tarpeen. Aseta kansi takaisin jos se irtaoo laitteesta.
29. Vaihda uran kansi sen ollessa kadonnut tai vaurioitunut.

## SÄILYÄ NÄMÄ OHJEET.

## TOIMINTOJEN KUVAUS

**⚠HUOMIO:** Varmista aina ennen säätöjä ja tarkastuksia, että työkalu on sammutettu ja akkupaketti irrotettu.

### Akun asentaminen tai irrottaminen

**⚠HUOMIO:** Sammuta työkalu aina ennen akun kiinnittämistä tai irrottamista.

**⚠HUOMIO:** Pidä työkalusta ja akusta tiukasti kiinni, kun irrotat tai kiinnität akkua. Jos akkupaketti tai työkalu putoaa, ne voivat vaurioitua tai aiheuttaa tapaturman.

- **Kuva7:** 1. Punainen ilmaisin 2. Painike  
3. Akkupaketti

Irrota akku painamalla akun etupuolella olevaa painiketta ja vetämällä akku ulos työkalusta.

Akkupaketti asetetaan paikalleen sovitamalla akkupaketin kieleke rungon uraan ja työntämällä se sitten paikalleen. Työnnä se pohjaan asti niin, että kuulet sen napsahtavan paikoilleen. Jos näet kuvan mukaisen punaisen ilmaisimen, lukitus ei ole täysin pitävä.

**⚠HUOMIO:** Työnnä akkupaketti aina pohjaan asti, niin että punainen ilmaisin ei enää näy. Jos akkupaketti ei ole kunnolla paikallaan, se voi pudota työkalusta ja aiheuttaa vammoja joko sinulle tai sivullisille.

**⚠HUOMIO:** Älä käytä voimaa akun asennuksessa. Jos akku ei liu'u paikalleen helposti, se on väärässä asennossa.

### Työkalun/akun suojausjärjestelmä

Työkalu on varustettu työkalu/akun suojausjärjestelmällä. Tämä järjestelmä pidentää työkalun ja akun käyttöikää katkaisemalla automaattisesti moottorin virran. Työkalu pysähtyy automaattisesti kesken käytön, jos työkalussa tai akussa ilmenee jokin seuraavista tilanteista: Joissakin tilanteissa merkivalot syttyvät.

### Ylikuormitussuoja

Kun työkalua/akkua käytetään tavalla, joka saa sen kuluttamaan epätavallisen suuren määrän virtaa, työkalu pysähtyy automaattisesti. Katkaise tässä tilanteessa työkalusta virta ja lopeta työkalun ylikuormitustilan aiheuttanut käyttö. Käynnistä sitten työkalu uudelleen kytkemällä siihen virta.

### Ylikuumenemissuoja

Kun työkalu/akku ylikuumentuu, työkalu pysähtyy automaattisesti. Tässä tapauksessa anna työkalun jäähtyä ennen kuin kytket sen uudelleen päälle.

**HUOMAA:** Jos laite on ylikuumentunut, lamppu alkaa vilkkua.

## Ylipurkautumissuoja

Jos akun varaus käy vähiin, työkalu pysähtyy automaattisesti. Jos työkalu ei toimi, vaikka kytkimiä käytetään, irrota akut työkalusta ja lataa ne.

## Suojaus muilta haitallisilta tapahtumilta

Suojausjärjestelmä on suunniteltu suojaamaan työkalu myös muilta tapahtumilta, jotka voisivat vahingoittaa työkalua, ja pysäyttämään työkalu automaattisesti tällaisissa tapauksissa. Kun työkalu tai sen toiminta on pysähtynyt tilapäisesti, poista pysäytyksen syyt seuraavien vaiheiden mukaisesti.









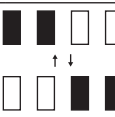
1. Käynnistä työkalu uudelleen sammuttamalla se ja kytkemällä se sitten uudelleen päälle.
2. Lataa akut tai vaihda ne ladattuihin akkuihin.
3. Anna työkalun ja akkujen jäähtyä.

Jos suojausjärjestelmän nollaaminen ei korjaa tilannetta, ota yhteys paikalliseen Makita-huoltoon.

## Akun jäljellä olevan varaustason ilmaisin

Painamalla tarkistuspainiketta saat näkyviin akun jäljellä olevan varauksen. Merkkivalot palavat muutaman sekunnin ajan.

► **Kuva8:** 1. Merkkivalot 2. Tarkistuspainike

Merkkivalot			Akussa jäljellä olevan varaus
 Palaa	 Pois päältä	 Viikkuu	
			75% - 100%
			50% - 75%
			25% - 50%
			0% - 25%
			Lataa akku.
			Akussa on saattanut olla toimintahäiriö.

**HUOMAA:** Ilmoitettu varaustaso voi erota hieman todellisesta varaustasosta sen mukaan, millaisissa oloissa ja missä lämpötilassa laitetta käytetään.

**HUOMAA:** Ensimmäinen (vasemmanpuoleisin) merkkivalo viikkuu, kun akun suojausjärjestelmä on toiminnassa.

## Kytkimen käyttäminen

**VAROITUS:** Tarkista aina ennen akkupaketin asettamista työkaluun, että liipaisinkytkin kytkeytyy oikein ja palaa "OFF"-asentoon, kun se vapautetaan.

**VAROITUS:** ÄLÄ KOSKAAN ohita lukituksen vapautuspainiketta teippaamalla sitä kiinni tai muulla tavoin. Jos kytkimen lukituksen vapautuspainike vapautetaan, laite saattaa käynnistyä vahingossa, mistä voi seurata vakava henkilövahinko.

**VAROITUS:** ÄLÄ KOSKAAN käytä sahaa, jos se käynnistyy pelkästään liipaisinkytkintä painamalla ilman, että painaisit lukituksen vapautuspainiketta. Jos kytkin on viallinen, laite saattaa käynnistyä vahingossa, mistä voi seurata vakava henkilövahinko. Toimita työkalu Makita-huoltoon korjattavaksi ENNEN kuin jatkat käyttöä.

Lukituksen vapautusnappi ehkäisee liipaisinkytkimen tahattoman vetämisen. Käynnistä työkalu painamalla lukituksen vapautuspainike sisään ja vetämällä liipaisinkytkimestä. Voit pysäyttää työkalun vapauttamalla liipaisinkytkimen.

► **Kuva9:** 1. Liipaisinkytkin 2. Lukituspainike

**HUOMAUTUS:** Älä vedä kytkimen liipaisinta voimakkaasti, ellet samalla paina lukituksen vapautusnappia. Kytkin voi rikkoutua.

**HUOMIO:** Laite alkaa jarruttaa pyörösahan terän kiertoliikettä heti, kun liipaisinkytkin vapautetaan. Pidä laitteesta tiukasti kiinni, jotta saat hallittua jarrutuksen aiheuttamaa reaktioliikettä, kun vapautat liipaisinkytkimen. Äkillinen reaktioliike voi aiheuttaa laitteen putoamisen kädestä ja johtaa henkilövahinkoihin.

## Leikkaussyvyyden säätäminen

**HUOMIO:** Kiristä kahva luotettavasti aina leikkaussyvyyden säätämisen jälkeen.

Löysää syvyydeltä olevaa vipua ja siirrä jalustaa ylös tai alas. Kun sopiva leikkaussyvyys on säädetty, lukitse jalusta kiristämällä vipua. Aseta syvyys niin, että vain yksi terän hammas ulottuu työkalupäleen alapinnan ulkopuolelle, jolloin leikkauks jäljestä tulee siisti ja itse leikkaus on turvallisempaa. Oikea leikkaussyvyys vähentää henkilövahinkoja aiheutavien mahdollisten TAKAPOTKUJEN vaaraa.

► **Kuva10:** 1. Vipua

**HUOMAUTUS:** Jos alusta ei liu'u ylös tai alas sujuvasti, syvyydeltä saattaa olla kallistunut. Säädä tällöin syvyydeltä (katso syvyydeltä säätämistä käsittelevä osio).

## Viistosahaus

**⚠HUOMIO:** Kun viistekulma on säädetty, kiristä aina kiristysruuvit luotettavasti.

Löysää kiristysruuveja. Aseta laite haluttuun kulmaan kallistamalla sitä ja kiristä sitten kiristysruuvi tiukasti.

► **Kuva11:** 1. Kiristysruuvi

## Positiivinen pysäytin

Positiivinen pysäytin on hyödyllinen nopeassa kohdekulman asettamisessa. Käännä positiivista pysäytintä niin, että siinä oleva nuoli osoittaa valitsemaasi viistekulmaan (noin 22,5°/45°/60°). Löysää vipua ja kallista sitten työkalun jalustaa mahdollisimman pitkälle. Kohta, mihin työkalun jalusta menee, on positiivisella pysäyttimellä asettamasi kulma. Kiristä vipu, kun työkalun jalusta on tässä asennossa.

► **Kuva12:** 1. Positiivinen pysäytin

## -1°-viisteitys

-1°-viisteityksen suorittamiseksi löysää kiristysruuveja, ja paina vipuja kohti nuolen osoittamaa suuntaa kuvan mukaisesti. Tämän jälkeen aseta viistekulma arvolle -1°, ja kiristä kiristysruuvit.

► **Kuva13:** 1. Vipu

## Tähtäys

Kun haluat sahata suoraan, kohdista pohjan etuosan 0°-kohta sahauslinjaan. Kun haluat tehdä 45°:n viisteitä, kohdista 45°-kohta sahauslinjaan.

► **Kuva14:** 1. Leikkuulinja (0° -asento) 2. Leikkuulinja (45° -asento)

## Lampun sytyttäminen

**⚠HUOMIO:** Älä katso suoraan lamppuun tai valonlähteeseen.

Jos haluat sytyttää lampun laitetta käynnistämättä, paina liipaisinkytkintä ilman, että painat vapautuspainiketta.

Kun laite on käynnissä, lampun voi sytyttää pitämällä vapautuspainiketta painettuna ja painamalla liipaisinkytkintä.

Lamppu sammuu 10 sekunnin kuluttua liipaisinkytkimen vapauttamisesta.

► **Kuva15:** 1. Lamppu

**HUOMAA:** Pyyhi lika pois linssistä kuivalla liinalla. Varo naarmuttamista linssiä, ettei valoteho laske.

## Sähköjarru

Tämä laite on varustettu terän sähköjarrulla. Jos laitteen pyörösahanterä ei pysähdy nopeasti liipaisinkytkimen vapautuksen jälkeen, vie laite Makitan huoltopalveluun huolettavaksi.

**⚠HUOMIO:** Terän jarrujärjestelmä ei korvaa teräsuojusta. ÄLÄ KOSKAAN KÄYTTÄ LAITETTA, JOSSE EI OLE TOIMIVAA TERÄSUOJUSTA. SE VOI AIHEUTTAA VAKAVAN HENKILÖVAHINGON.

## Sähköinen toiminta

Sähköisiä toimintoja sisältäviä laitteita on helppo käyttää seuraavien ominaisuuksien ansiosta.

### Pehmeä käynnisty

Laite käynnistyy pehmeästi vaimentuneen käynnistysnykäyksen johdosta.

### Vakionopeuden säätö

Sähköinen nopeudensäätö vakionopeuden ylläpitämistä varten. Helpottaa viimeistellyn lopputuloksen saavuttamista, koska pyörimisnopeus pysyy vakiona jopa kuormitettuna.

## KOKOONPANO

**⚠HUOMIO:** Varmista aina ennen mitään työkäluille tehtäviä toimenpiteitä, että se on sammutettu ja akku irrotettu.

## Kuusioavaimen varastointi

Säilytä kuusioavainta kuvan osoittamassa paikassa sen katoamisen välttämiseksi.

► **Kuva16:** 1. Kuusioavain

## Pohja-alustan asentaminen

Asenna pohja-alusta ja kiristä kiristysruuvit huolellisesti kuvan mukaisesti.

Käytä aina työkalua pohja-alustan kanssa, ellei käytössä ole ohjauskisko.

► **Kuva17:** 1. Kiristysruuvi 2. Pohja-alusta

## Pyörösahanterän asentaminen ja irrottaminen

**⚠HUOMIO:** Varmista, että terä on asennettu hampaat sahan etuosassa osoittamaan ylöspäin.

**⚠HUOMIO:** Käytä terän irrottamiseen ja kiinnittämiseen vain Makitan kiintoavainta.

1. Löysää syvyystulkissa olevaa vipua ja siirrä jalustaa alas.

► **Kuva18:** 1. Vipu

2. Asenna lisälaippa, rengas (maakohtainen), pyörösahanterä, ulkolaippa ja kuusiopultti. Kohdista tällä kertaa terän nuoli työkalussa olevan nuolen suuntaiseksi.

### Työkaluille, jossa ei ole rengasta

► **Kuva19:** 1. Kuusiopultti 2. Ulkolaippa 3. Pyörösahanterä 4. Sisälaippa 5. Nuoli pyörösahanterässä 6. Nuoli työkalussa

### Työkaluille, jossa on rengas

► **Kuva20:** 1. Kuusiopultti 2. Ulkolaippa 3. Pyörösahanterä 4. Rengas 5. Sisälaippa 6. Nuoli pyörösahanterässä 7. Nuoli työkalussa

3. Paina akselin lukkoa niin, että pyörösahanterä ei pääse pyörimään, ja kiristä kuusiopultti kuusiokoloavaimella.

- **Kuva21:** 1. Akselilukko 2. Kuusiokoloavain  
3. Löysäys 4. Kiristys

Pyörösahanterä irrotetaan päinvastaisessa järjestyksessä.

## Työkalu, jossa on jokin muu kuin 15,88 mm:n reiällä varustetulle terälle tarkoitettu sisälaippa

Sisälaipan ulkoneman halkaisija on erilainen eri puolilla laippaa. Valitse se puoli, jonka ulkonema sopii sahanterän reikään. Kiinnitä sisälaippa sitten asennusakseliin siten, että haluamasi sisälaipan uloke osoittaa ulospäin, ja aseta sahanterä ja ulkolaippa paikalleen.

- **Kuva22:** 1. Asennusakseli 2. Sisälaippa  
3. Pyörösahanterä 4. Ulkolaippa  
5. Kuusiopultti

**VAROITUS: MUISTA KIRISTÄÄ KUUSIOPULTTI MYÖTÄPÄIVÄÄN TIUKASTI.** Varmista myös kiristämistä pulttia väkisin. Kätesi lipsahdus aiheuttaa tapaturman.

**VAROITUS:** Varmista, että sisälaipan ulospäin osoittava ulkonema "a" sopii tarkasti sahanterän reikään "a". Terän asentaminen väärälle puolelle saattaa aiheuttaa vaarallista tärinää.

## Työkalu, jossa on 15,88 mm:n reiällä varustettuun sahanterään sopiva sisälaippa (maakohtainen)

Kiinnitä sisälaippa akseliin siten, että sen syvennys on ulospäin, ja aseta sitten sahanterä (tarvittaessa renkaan kanssa), ulkolaippa ja kuusiopultti paikalleen.

**Työkaluille, jossa ei ole rengasta**

- **Kuva23:** 1. Asennusakseli 2. Sisälaippa  
3. Pyörösahanterä 4. Ulkolaippa  
5. Kuusiopultti

**Työkaluille, jossa on rengas**

- **Kuva24:** 1. Asennusakseli 2. Sisälaippa  
3. Pyörösahanterä 4. Ulkolaippa  
5. Kuusiopultti 6. Rengas

**VAROITUS: MUISTA KIRISTÄÄ KUUSIOPULTTI MYÖTÄPÄIVÄÄN TIUKASTI.** Varmista myös kiristämistä pulttia väkisin. Kätesi lipsahdus aiheuttaa tapaturman.

**VAROITUS:** Jos rengasta tarvitaan terän sovitukseen, varmista aina, että sisä- ja ulkolaippojen väliin on asennettu käytettävän terän akselin reikään sopiva rengas. Vääränlaisen renkaan käyttäminen voi aiheuttaa terän virheellisen kiinnityksen, jolloin terä pääsee liikkumaan ja tärisee voimakkaasti, minkä seurauksena voi olla työkalun hallinnan menetys ja vakava henkilövahinko.

## Teräsuojuksen puhdistus

Muista pyörösahanterän vaihdon yhteydessä puhdistaa terän ylä- ja alasuojus niihin kertyneestä sahanpurusta Kunnossapito-kohdassa kuvatulla tavalla. Tarkista näistä toimenpiteistä huolimatta aina alasuojuksen toiminta ennen jokaista käyttökertaa.

## Pölynimurin kytkeminen

**Lisävaruste**

Jos haluat tehdä sahaustyön siististi, liitä laitteeseesi Makita-pölynimuri. Liitä pölynimurin letku pölysuuttimeen käyttämällä sovitinkappaleita 24.

- **Kuva25:** 1. Pölynimurin letku 2. Sovitinkappale 24  
3. Pölysuutin

## Pölysuuttimen kulman säätäminen

Pölysuuttimen kulmaa voidaan säätää kääntämällä pölysuutinta.

Kun työkalua käytetään ilman kytkettyä pölynimuria, aseta pölysuutin osoittamaan alaspäin, jotta sahanpurua ei lennä käyttäjää kohti.

Kun työkalua käytetään pölynimuriin kytkettynä, suuntaa pölysuutin ylöspäin, jotta pölynimurin letku ei tartu työkalupäähän tai ohjaukseen.

- **Kuva26:** 1. Pölysuutin

## TYÖSKENTELY

Tämä työkalu on tarkoitettu vain puutuotteiden leikkaamiseen.

Tarkista leikattavalle materiaalille sopivat pyörösahanterät verkkosivuiltamme tai ottamalla yhteyttä paikalliseen Makita-jälleenmyyjään.

Älä käytä työkalua ilman pohja-alustaa, ellei käytössä ole ohjauskisko.

## Teräsuojuksen toiminnan tarkistaminen

Irrota akkupaketti.

Aseta viistekulmaksi 0° ja vedä sitten alasuojus käsin liikeradan päähän asti ja vapauta se. Alasuojus toimii oikein, jos

- se liikkuu alustan yläpuolelle esteettömästi ja
- se palautuu automaattisesti ja ottaa kiinni pysäyttimeen.

- **Kuva27:** 1. Yläsuojus 2. Alasuojus 3. Alusta  
4. Pysäytin 5. Auki 6. Kiinni

Jos alasuojus ei toimi oikein, tarkista, onko ylä- ja alasuojuksien sisälle kertynyt sahanpurua. Jos alasuojus ei toimi oikein sahanpurujen poistamisen jälkeen, huollata työkalu Makita-huollossa.

## Leikkaaminen

**⚠HUOMIO:** Käytä leikatessasi hengityssuojainta.

**⚠HUOMIO:** Työnnä työkalua kevyesti suoraan eteenpäin. Työkalun pakottaminen tai vääntäminen johtaa moottorin ylikuumentumiseen ja voi aiheuttaa vaarallisen takapotkun ja vakavia vammoja.

**HUOMAA:** Jos akku on kylmä, työkalu ei ehkä toimi täydellä teholla. Silloin voit esimerkiksi käyttää työkalua kevyisiin tehtäviin, kunnes akku lämpenee huoneenlämpöiseksi. Tämän jälkeen työkalu voi taas käyttää täydellä teholla.

### ► Kuva28

Ota koneesta luja ote. Laitteessa on sekä etu- että takakahva. Tartu sahaan molemmista. Jos pidät kiinni työkalusta molemmin käsin, et voi loukata käsiä terään. Aseta leikkurin pohja leikattavan työkalupaleen päälle ilman, että pyörösahankerä koskee työkappaleeseen missään kohdassa. Käynnistä sitten työkalu ja odota, kunnes terä saavuttaa täyden nopeuden. Siirrä nyt työkalu eteenpäin työkappaleen pinnan yli pitämällä sitä tasaisena ja edeten sillä tasaisesti, kunnes sahaus on valmis.

Siistien leikkausten saavuttamiseksi, pidä sahauslinja suorana ja etenemisnopeutesi tasaisena. Jos sahaus menee vinoon, älä yritä vääntää tai pakottaa leikkuria oikeaan linjaan. Pyörösahankerä voi jumitua ja aiheuttaa vaarallisen takapotkun ja mahdollisesti henkilövammoja. Vapauta liipaisinkytkin ja odota, kunnes terä pysähtyy ja ota sen jälkeen työkalu pois. Kohdistasaha uuteen linjaan ja aloita uudestaan. Yritä asettaa sellaiseen kohtaan, jossa et joudu alttiiksi sahasta lentävälle purulle ja lastuille. Käytä suojalaseja vammojen välttämiseksi.

**HUOMAA:** Kun teet viistoleikkauksia jne., joskus alempi suojus ei liiku kitkatomasti. Käytä tällöin peruutusvipua nostaaksesi alemmaa suojusta aloitusleikkaukseen ja heti, kun terä menee materiaaliin, vapauta peruutusvipu.

### ► Kuva29: 1. Peruutusvipu

## Pohja-alusta (Ohjainmitta)

**⚠HUOMIO:** Varmista ennen käyttöä, että pohja-alusta (ohjainmitta) on asennettu oikeaan asentoon. Virheellinen kytkentä voi aiheuttaa vaarallisen takapotkun.

Käyttämällä pohja-alustaa ohjainmittana, voit suorittaa erittäin tarkkoja suorita sahausia. Löysää kiristysruuveja ja siirrä pohja-alusta pois laitteesta ja tämän jälkeen aseta se ylösalaisin.

### ► Kuva30: 1. Kiristysruuvi 2. Pohja-alusta

Siirrä pohja-alustan ohjain tiukasti kiinni työkappaleen reunaan ja kiristä se paikalleen kiristysruuvilla. Näin voit myös sahata useita saman levyisiä kappaleita.

### ► Kuva31: 1. Kiristysruuvi 2. Pohja-alusta

## Ohjainkisko

### Lisävaruste

**⚠HUOMIO:** Varmista aina ennen mitään työkälylle tehtäviä toimenpiteitä, että se on sammutettu ja akku irrotettu.

**HUOMAUTUS:** Irrota pohja-alusta, kun käytät ohjainkiskoa.

Aseta laite ohjainkiskon takapäähän. Kierrä laitealustassa olevia säätöruuveja niin, että saha liukuu tasaisesti ja kolisematta. Pidä laitteen etu- ja takakahvasta lujasti kiinni. Kiinnitä akkupaketti paikalleen. Käynnistä laite ja leikkaa lohkeamissuojanauha leikkaussuunnan mukaisesti koko sahauspituudelta. Lohkeamissuojanauhan reuna on tämän jälkeen sahausreunan kohdalla.

### ► Kuva32: 1. Säätöruuvit

Suoritettaessa viisteitystä ohjainkiskon kanssa, käytä liukuvipua laitteen kaatumisen estämiseksi.

Siirrä laitealustassa olevaa liukuvipua nuolen osoittamaan suuntaan niin, että se kiinnittyy ohjainkiskon alauraan.

### ► Kuva33: 1. Liukuvipu

## LANGATON AKTIVOINTITOIMINTO

### Mitä langattomalla aktivointitoiminnolla voi tehdä

Langaton aktivointitoiminto mahdollistaa puhtaan ja miellyttävän käyttötoiminnan. Liittämällä tuettu pölynimuri laitteeseen, voit käyttää pölynimuria automaattisesti yhdessä laitteen kytkintöiminnon kanssa.

### ► Kuva34

Langattoman aktivointitoiminnon käyttämiseksi valmis-tele seuraavat kohdat:

- Langaton yksikkö (lisävaruste)
- Pölynimuri, joka tulee langatonta aktivointitoimintoa

Langattoman aktivointitoiminnon asetuksen kuvaus on seuraavana. Katso jokaisen osion yksityiskohtaiset ohjeet.

1. Langattoman yksikön asennus
2. Laitteen rekisteröinti pölynimurille
3. Langattoman aktivointitoiminnon aloitus



## Langattoman yksikön asennus

### Lisävaruste

**⚠HUOMIO:** Aseta laite tasaisen ja vakaan pinnan päälle langattoman yksikön asentamiseksi.

**HUOMAUTUS:** Puhdista laitteesta pöly ja lika ennen langattoman yksikön asentamista. Pöly ja lika voivat aiheuttaa käyttöhäiriöitä päästessään langattoman yksikön uraan.

**HUOMAUTUS:** Staattisuudesta aiheutuvien käyttöhäiriöiden estämiseksi kosketa staattisesti purkautuvaa materiaalia, kuten laitteen metalliosia ennen langattoman yksikön nostamista.

**HUOMAUTUS:** Varmista aina langattoman yksikön asennuksen aikana, että langaton yksikkö on liitetty oikeassa suunnassa ja kansi on suljettu täysin kiinni.

1. Avaa laitteen kansi kuvan osoittamalla tavalla.

► **Kuva35:** 1. Kansi

2. Liitä langaton yksikkö uraan ja tämän jälkeen sulje kansi.

Langattoman yksikön liittämisen aikana kohdista kielekkeet uran loviosioihin.

► **Kuva36:** 1. Langaton yksikkö 2. Kieleke 3. Kansi 4. Loviosio

Avaa kansi hitaasti langattoman yksikön irrottamisen aikana. Kannen takana olevat koukut nostavat langattoman yksikön ylös samalla kun nostat kannen ylös.

► **Kuva37:** 1. Langaton yksikkö 2. Koukku 3. Kansi

Säilytä langatonta yksikköä mukana toimitetussa koteloissa tai ei staattisessa säiliössä sen irrottamisen jälkeen.

**HUOMAUTUS:** Käytä aina kannen takana olevia koukkuja langattoman yksikön irrottamisen aikana. Jos koukut eivät tartu langattomaan yksikköön, sulje kansi täysin kiinni ja avaa se hitaasti uudelleen.

### Laitteen rekisteröinti pölynimurille

**HUOMAA:** Makita pölynimuri tukee langatonta aktiivointitoimintoa, joka vaaditaan laiterekisteröintiä varten.

**HUOMAA:** Viimeistele langattoman yksikön asennus laitteeseen ennen laiterekisteröinnin aloittamista.

**HUOMAA:** Älä paina liipaisinkytkintä tai aseta pölynimurin virtakytkintä päälle laiterekisteröinnin aikana.

**HUOMAA:** Katso lisätietoja myös pölynimurin käyttöohjeesta.

Jos haluat aktivoida pölynimurin yhdessä laitteen kytkintoiminnon kanssa, viimeistele laiterekisteröinti ensin.

1. Asenna akut pölynimuriin ja laitteeseen.

2. Aseta pölynimurin valmiustilan kytkin asentoon "AUTO".

► **Kuva38:** 1. Valmiustilan kytkin

3. Paina pölynimurin langatonta aktiivointipainiketta noin 3 sekunnin ajan, kunnes langattoman aktiivoinnin merkivalo vilkkuu vihreänä. Ja tämän jälkeen paina laitteen langatonta aktiivointipainiketta samalla tavalla.

► **Kuva39:** 1. Langaton aktiivointipainike  
2. Langattoman aktiivoinnin merkivalo

Jos pölynimuri ja laite kytketään oikein, langattoman aktiivoinnin merkivalo palaa vihreänä 2 sekunnin ajan ja vilkkuu tämän jälkeen sinisenä.

**HUOMAA:** Langattoman aktiivoinnin merkivalo lopettaa vilkkumisen vihreänä 20 sekunnin kuluttua. Paina laitteen langatonta aktiivointipainiketta samalla kun imurin langattoman aktiivoinnin merkivalo vilkkuu. Jos langattoman aktiivoinnin merkivalo ei vilku vihreänä, paina langatonta aktiivointipainiketta lyhyesti ja pidä sitä painettuna alas.

**HUOMAA:** Suoritettaessa kaksi tai useampaa laiterekisteröintiä yhdelle pölynimurille, lopeta laiterekisteröinti yksi kerrallaan.

### Langattoman aktiivointitoiminnon aloitus

**HUOMAA:** Viimeistele laiterekisteröinti pölynimurille ennen langatonta aktiivointia.

**HUOMAA:** Katso lisätietoja myös pölynimurin käyttöohjeesta.

Kun laite on rekisteröity pölynimurille, pölynimuri toimii automaattisesti yhdessä laitteen kytkintoiminnon kanssa.

1. Langattoman yksikön asennus laitteeseen.

2. Kiinnitä pölynimurin letku laitteeseen.

► **Kuva40**

3. Aseta pölynimurin valmiustilan kytkin asentoon "AUTO".

► **Kuva41:** 1. Valmiustilan kytkin

4. Paina laitteen langatonta aktiivointipainiketta lyhyesti. Langattoman aktiivoinnin merkivalo vilkkuu sinisenä.

► **Kuva42:** 1. Langaton aktiivointipainike  
2. Langattoman aktiivoinnin merkivalo

5. Kytke laite päälle. Tarkista, pyöriikö pölynimuri laitteen toimiessa.

Lopeta pölynimurin langaton aktiivointi painamalla laitteen langatonta aktiivointipainiketta.

**HUOMAA:** Laitteen langattoman aktiivoinnin merkivalo lopettaa vilkkumisen sinisenä, jos mitään toimintoa ei ole suoritettu 2 tunnin aikana. Tässä tapauksessa aseta pölynimurin valmiustilan kytkin asentoon "AUTO" ja paina uudelleen laitteen langatonta aktiivointipainiketta.

**HUOMAA:** Pölynimuri käynnistyy/sammuu viiveellä. Käytössä on aikaviive kun pölynimuri tunnistaa laitteen kytkintoiminnon.



**HUOMAA:** Langattoman yksikön lähetysäisyyks voi vaihdella riippuen sijainnista ja ympäristön olosuhteista.

**HUOMAA:** Jos yhteen pölynimuriin on rekisteröity kaksi tai useampia laitteita, pölynimuri voi käynnistyä, vaikka laite ei ole päällä. Tämä johtuu siitä, että toinen henkilö käyttää langatonta aktiivointitoimintoa.

## Langattoman aktiivoinnin merkkivalon tilan kuvaus

### ► Kuva43: 1. Langattoman aktiivoinnin merkkivalo

Langattoman aktiivoinnin merkkivalo osoittaa langattoman aktiivointitoiminnon tilan. Katso merkkivalon tilaa koskeva tarkoitus alapuolella olevasta taulukosta.

Tila	Langattoman aktiivoinnin merkkivalo				Kuvaus
	Väri	 Päällä	 Vilkkuu	Kesto	
Valmiustila	Sininen	<input checked="" type="checkbox"/>		2 tuntia	Pölynimurin langaton aktiivointi on käytettävissä. Merkkivalo sammuu automaattisesti jos mitään toimintoa ei ole suoritettu 2 tunnin aikana.
		<input type="checkbox"/>		Kun laite on käynnissä.	Pölynimurin langaton aktiivointi on käytettävissä ja laite on käynnissä.
Laiterekisteröinti	Vihreä	<input checked="" type="checkbox"/>		20 sekuntia	Valmis laiterekisteröintiä varten. Odottaa rekisteröintiä pölynimurilta.
		<input type="checkbox"/>		2 sekuntia	Laiterekisteröinti on valmis. Langattoman aktiivoinnin merkkivalo vilkkuu sinisenä.
Laiterekisteröinnin peruutus	Punainen	<input checked="" type="checkbox"/>		20 sekuntia	Valmis laiterekisteröinnin peruutukseen. Odottaa peruutusta pölynimurilta.
		<input type="checkbox"/>		2 sekuntia	Laiterekisteröinnin peruutus on valmis. Langattoman aktiivoinnin merkkivalo vilkkuu sinisenä.
Muut	Punainen	<input type="checkbox"/>		3 sekuntia	Langattomalle yksikölle syötetään virtaa ja langaton aktiivointitoiminto käynnistyy.
	Pois päältä	-		-	Pölynimurin langaton aktiivointi on pysäytetty.

## Laiterekisteröinnin peruutus pölynimurille

Suorita seuraavat toimenpiteet peruuttaessasi laiterekisteröinnin pölynimurille.

1. Asenna akut pölynimuriin ja laitteeseen.
2. Aseta pölynimurin valmiustilan kytkin asentoon "AUTO".

### ► Kuva44: 1. Valmiustilan kytkin

3. Paina pölynimurin langatonta aktiivointipainiketta 6 sekunnin ajan. Langattoman aktiivoinnin merkkivalo vilkkuu vihreänä ja tämän jälkeen punaisena. Tämän jälkeen paina laitteen langatonta aktiivointipainiketta samalla tavalla.

### ► Kuva45: 1. Langaton aktiivointipainike 2. Langattoman aktiivoinnin merkkivalo

Jos peruutus suoritetaan oikein, langattoman aktiivoinnin merkkivalo palaa punaisena 2 sekunnin ajan ja vilkkuu tämän jälkeen sinisenä.

**HUOMAA:** Langattoman aktiivoinnin merkkivalo lopettaa vilkkumisen punaisena 20 sekunnin kuluttua. Paina laitteen langatonta aktiivointipainiketta samalla kun imurin langattoman aktiivoinnin merkkivalo vilkkuu. Jos langattoman aktiivoinnin merkkivalo ei vilku punaisena, paina langatonta aktiivointipainiketta lyhyesti ja pidä sitä painettuna alas.

## Langattoman aktivointitoiminnon vianetsintä

Tarkista laite ensin itse, ennen kuin viet sen korjattavaksi. Jos ongelmaan ei löydy ratkaisua käyttöoppaasta, älä kuitenkaan yritä purkaa työkalua osiin. Vie ota sen sijaan yhteyttä Makita-huoltoiliikkeeseen. Käytä korjaamiseen aina alkuperäisiä Makita-varaosia.

Epänormaali tila	Todennäköinen syy (toimintahäiriö)	Korjaus
Langattoman aktivoinnin merkivalo ei pala/vilku.	Langatonta yksikköä ei ole asennettu laitteeseen. Langaton yksikkö on asennettu virheellisesti laitteeseen.	Asenna langaton yksikkö oikein.
	Langattoman yksikön liitäntä ja/tai ura on likainen.	Pyyhi langattoman yksikön liitäntä varovaisesti pölystä ja liasta ja puhdista ura.
	Laitteen langatonta aktivointipainiketta ei ole painettu.	Paina laitteen langatonta aktivointipainiketta lyhyesti.
	Pölynimurin valmistilan kytkintä ei ole asetettu asentoon "AUTO".	Aseta pölynimurin valmistilan kytkin asentoon "AUTO".
	Ei virransyöttöä	Syötä virtaa laitteelle ja pölynimurille.
Laiterekisteröintiä/laiterekisteröinnin peruutusta ei voi viimeistellä oikein.	Langatonta yksikköä ei ole asennettu laitteeseen. Langaton yksikkö on asennettu virheellisesti laitteeseen.	Asenna langaton yksikkö oikein.
	Langattoman yksikön liitäntä ja/tai ura on likainen.	Pyyhi langattoman yksikön liitäntä varovaisesti pölystä ja liasta ja puhdista ura.
	Pölynimurin valmistilan kytkintä ei ole asetettu asentoon "AUTO".	Aseta pölynimurin valmistilan kytkin asentoon "AUTO".
	Ei virransyöttöä	Syötä virtaa laitteelle ja pölynimurille.
	Virheellinen toiminta	Paina langatonta aktivointipainiketta lyhyesti ja suorita laiterekeröinti/peruutus uudelleen.
	Laite ja pölynimuri ovat kaukana toisistaan (lähetyalueen ulkopuolella).	Siirrä laite ja pölynimuri lähemmäksi toisiaan. Maksimilähetyetäisyys on noin 10 m, mutta se voi kuitenkin vaihdella olosuhteista riippuen.
	Ennen laitteen rekisteröimistä/peruutusta: - laitteen kytkin on päällä, tai; - pölynimurin virtakytkin on päällä.	Paina langatonta aktivointipainiketta lyhyesti ja suorita laiterekeröinti/peruutus uudelleen.
	Laiterekisteröintiä laitteelle tai pölynimurille ei ole viimeistely.	Suorita laiterekeröinti sekä laitteelle että pölynimurille samanaikaisesti.
Muiden laitteiden aiheuttama radiohäiriö voi muodostaa erittäin voimakkaita radioaaltoja.	Pidä laite ja pölynimuri kaukana laitteista, kuten Wi-Fi-laitteet ja mikroaaltouunit.	
Pölynimuri ei toimi yhdessä laitteen kytkintöiminnon kanssa.	Langatonta yksikköä ei ole asennettu laitteeseen. Langaton yksikkö on asennettu virheellisesti laitteeseen.	Asenna langaton yksikkö oikein.
	Langattoman yksikön liitäntä ja/tai ura on likainen.	Pyyhi langattoman yksikön liitäntä varovaisesti pölystä ja liasta ja puhdista ura.
	Laitteen langatonta aktivointipainiketta ei ole painettu.	Paina langatonta aktivointipainiketta lyhyesti ja varmista, että langattoman aktivoinnin merkivalo vilkkuu sinisenä.
	Pölynimurin valmistilan kytkintä ei ole asetettu asentoon "AUTO".	Aseta pölynimurin valmistilan kytkin asentoon "AUTO".
	Yli 10 laitetta on rekisteröity pölynimurille.	Suorita laiterekeröinti uudelleen. Jos yli 10 laitetta on rekisteröity pölynimurille, aikaisemmin rekisteröity laite peruutetaan automaattisesti.
	Pölynimuri poistaa kaikki laiterekeröinnit.	Suorita laiterekeröinti uudelleen.
	Ei virransyöttöä	Syötä virtaa laitteelle ja pölynimurille.
	Laite ja pölynimuri ovat kaukana toisistaan (lähetyalueen ulkopuolella).	Siirrä laite ja pölynimuri lähemmäksi toisiaan. Maksimilähetyetäisyys on noin 10 m, mutta se voi kuitenkin vaihdella olosuhteista riippuen.
	Muiden laitteiden aiheuttama radiohäiriö voi muodostaa erittäin voimakkaita radioaaltoja.	Pidä laite ja pölynimuri kaukana laitteista, kuten Wi-Fi-laitteet ja mikroaaltouunit.
	Pölynimuri pyörii, vaikka laite ei toimi.	Muut käyttäjät käyttävät pölynimurin langatonta aktivointia heidän laitteillaan.

## KUNNOSSAPITO

**⚠HUOMIO:** Varmista aina ennen tarkastusta tai huoltoa, että työkalu on sammutettu ja akku irrotettu.

**⚠HUOMIO:** Puhdista ylä- ja alasuojukset ja varmista, ettei niihin ole kertynyt sahanpuruja, joka voisi estää alasuojusjärjestelmän toiminnan. Jos suojujärjestelmä on likainen, se ei ehkä toimi asianmukaisesti, mikä voi aiheuttaa vakavia vammoja. Tehokkain puhdistustapa on käyttää paineilmaa. Jos suojuksista lentää pölyä, muista aina käyttää asianmukaisia silmä- ja hengityssuojaimia.

**⚠HUOMIO:** Pyyhi sahanpuru laitteesta jokaisen käyttökerran jälkeen. Hieno sahanpuru voi päästä laitteeseen sisälle ja aiheuttaa toimintahäiriön tai tulipalon.

**HUOMAUTUS:** Älä koskaan käytä bensiiniä, ohenteita, alkoholia tai tms. aineita. Muutoin pinta voi halkeilla tai sen värit ja muoto voivat muuttua. Muutoin laitteeseen voi tulla värjäytymiä, muodon vääristymiä tai halkeamia.

Tuotteen TURVALLISUUDEN ja LUOTETTAVUUDEN takaamiseksi korjaukset, muut huoltotyöt ja säädöt on teetettävä Makitan valtuutetussa huoltopisteessä Makitan varaosia käyttäen.

## Sahauskulman 0° tai 45° tarkkuuden säätö

**HUOMAUTUS:** Älä kytke vipuja -1° viistekulmalle säädettäessä 0°-sahauskulman tarkkuutta.

**HUOMAUTUS:** Älä kytke positiivista pysäytintä viistekulmaan 22,5° tai 60° kun säädät sahauskulman 45° tarkkuutta.

Tämä säätö on tehty tehtaalla. Jos säätö ei ole oikea, voit säätää sitä seuraava ohjeen mukaan.

1. Löysää kiristysruuveja työkalun edessä ja takana niin, että viistekulmaa voi muuttaa. Aseta positiivisen pysäyttimen avulla viistekulmaksi 45°, jos haluat säätää sahauskulman 45° tarkkuutta.

► **Kuva46:** 1. Kiristysruuvi 2. Positiivinen pysäytin

2. Aseta jalusta säätöruuvia kuusioavaimella kääntämällä joko samansuuntaiseksi pyörösahanterän kanssa tai 45° kulmaan kolmioviivaimen avulla. 0° kulman voi asettaa nelioviivaimen avulla.

► **Kuva47:** 1. Kolmioviivain

► **Kuva48:** 1. 0° kulman säätöruuvi 2. 45° kulman säätöruuvi

3. Kiristä kiristysruuvit ja tarkista sitten leikkauskulman tekemällä testileikkaus.

## Syvyystulkin säätäminen

Jos alusta ei liu'u ylös tai alas sujuvasti, syvyystulkki saattaa olla kallistunut. Syvyystulkkia voi säätää seuraavasti:

1. Aseta alusta kohtisuoraan ja säädä leikkaussyvyys syvimmäksi mahdolliseksi.
2. Löysennä syvyystulkin säätöruuvit. Syvyystulkin asento säätyy automaattisesti.
3. Kiristä syvyystulkin säätöruuvit.
4. Tee yhdensuuntaisuus säädöt sitä käsittelevän osion mukaisesti.

► **Kuva49:** 1. Syvyystulkin säätöruuvit

## Yhdensuuntaisuuden säätäminen

**⚠HUOMIO:** Pidä laite aina yhdensuuntaisesti suunnattuna. Muutoin pyörösahanterä saattaa sahata ohjauksikkoon, jonka vaurioituminen voi johtaa henkilövahinkoon.

Tämä säätö on tehty tehtaalla. Jos säätö ei ole oikea, voit säätää sitä seuraava ohjeen mukaan.

1. Aseta työkalu enimmäisleikkaussyvyyteen.
2. Varmista, että kaikki vivut ja ruuvit on kiristetty.
3. Löysää ruuveja kuvan mukaisesti.
4. Avaa alasuojusta ja siirrä jalustan takaosaa siten, että etäisyydet A ja B tulevat yhtä suuriksi.

► **Kuva50:** 1. Ruuvi 2. Alusta

5. Kiristä ruuvit ja suorita testileikkaus yhdensuuntaisuuden tarkistamiseksi.

## LISÄVARUSTEET

**⚠HUOMIO:** Seuraavia lisävarusteita tai laitteita suositellaan käytettäväksi tässä ohjeessa kuvatus Makita-tökalun kanssa. Muiden lisävarusteiden tai laitteiden käyttö voi aiheuttaa henkilövahinkoja. Käytä lisävarusteita ja -laitteita vain niiden käyttötarkoituksen mukaisesti.

Jos tarvitset apua tai yksityiskohtaisempia tietoja seuraavista lisävarusteista, ota yhteys paikalliseen Makitan huoltoon.

- Pyörösahanterä
- Pohja-alusta
- Ohjainkisko
- Viiste opas
- Puristin
- Levy
- Kumilevy
- Asetuslevy
- Kuusioavain
- Etusovitinkappale 24
- Langaton yksikkö
- Aito Makitan akku ja laturi

**HUOMAA:** Jotkin luettelossa mainitut varusteet voivat sisältyä työkalun toimitukseen vakiovarusteina. Ne voivat vaihdella maittain.

## SPECIFIKATIONER

Model:		HS011G		
Klangediameter		255 mm	260 mm	270 mm
Maks. skæredybde	ved 0°	94 mm	97 mm	101 mm
	ved 45° skråsnit	65 mm	68 mm	71 mm
	ved 60° skråsnit	45 mm	48 mm	51 mm
Hastighed uden belastning		3,500 min <sup>-1</sup>		
Samlet længde		453 mm		
Mærkespænding		D.C. 36 V - 40 V maks.		
Nettovægt		5,5 - 6,7 kg		

- På grund af vores kontinuerlige forsknings- og udviklingsprogrammer kan hosstående specifikationer blive ændret uden varsel.
- Specifikationer og akku kan variere fra land til land.
- Vægten kan være anderledes afhængigt af tilbehøret, inklusive akkuen. Den letteste og tungeste kombination i henhold til EPTA-procedure 01/2014 er vist i tabellen.

## Anvendelig akku og oplader

Akku	BL4020 / BL4025 / BL4040 / BL4050F* / BL4080F* * : Anbefalet batteri
Oplader	DC40RA / DC40RB / DC40RC

- Nogle af de akkuer og opladere, der er angivet ovenfor, er muligvis ikke tilgængelige, afhængigt af hvilket område du bor i.

**⚠ ADVARSEL: Brug kun de akkuer og opladere, der er angivet ovenfor.** Brug af andre akkuer og opladere kan medføre personskaade og/eller brand.

## Tilsigtet anvendelse

Denne maskine er beregnet til at lave lige snit i længden og bredden og geringsnit med vinkler i træ med maskinen i tæt berøring med arbejdsstykket.

## Støj

Det typiske A-vægtede støjniveau bestem i overensstemmelse med EN62841-2-5:

Lydtryksniveau ( $L_{pA}$ ) : 93 dB (A)

Lydeffektniveau ( $L_{WA}$ ) : 104 dB (A)

Usikkerhed (K): 3 dB (A)

**BEMÆRK:** De(n) angivne støjemissionsværdi(er) er målt i overensstemmelse med en standardtestmetode og kan anvendes til at sammenligne en maskine med en anden.

**BEMÆRK:** De(n) angivne støjemissionsværdi(er) kan også anvendes i en præliminær eksponeringsvurdering.

**⚠ ADVARSEL: Bær høreværn.**

**⚠ ADVARSEL: Støjemissionen under den faktiske anvendelse af maskinen kan være forskellig fra de(n) angivne værdi(er), afhængigt af den måde hvorpå maskinen anvendes, især den type arbejdsemne der behandles.**

**⚠ ADVARSEL: Sørg for at identificere de sikkerhedsforskrifter til beskyttelse af operatøren, som er baseret på en vurdering af eksponering under de faktiske brugsforhold (med hensyntagen til alle dele i brugscyklussen, f.eks. de gange, hvor maskinen er slukket, og når den kører i tomgang i tilgift til afbrydertiden).**

## Vibration

Vibrationens totalværdi (tre-aksial vektorsum) bestemt i overensstemmelse med EN62841-2-5:

Arbejdstilstand: skæring i træ

Vibrationsemission ( $a_{h,W}$ ): 2,5 m/s<sup>2</sup> eller mindre

Usikkerhed (K): 1,5 m/s<sup>2</sup>

**BEMÆRK:** De(n) angivne totalværdi(er) for vibration er målt i overensstemmelse med en standardtestmetode og kan anvendes til at sammenligne en maskine med en anden.

**BEMÆRK:** De(n) angivne totalværdi(er) for vibration kan også anvendes i en præliminær eksponeringsvurdering.

**⚠ ADVARSEL:** Vibrationsemissionen under den faktiske anvendelse af maskinen kan være forskellig fra de(n) angivne værdi(er), afhængigt af den måde hvorpå maskinen anvendes, især den type arbejdsemne der behandles.

**⚠ ADVARSEL:** Sørg for at identificere de sikkerhedsforskrifter til beskyttelse af operatøren, som er baseret på en vurdering af eksponering under de faktiske brugsforhold (med hensyntagen til alle dele i brugscyklussen, f.eks. de gange, hvor maskinen er slukket, og når den kører i tomgang i tilgift til afbrydertiden).

## EF-overensstemmelseserklæring

### Kun for lande i Europa

EF-overensstemmelseserklæringen er inkluderet som Bilag A i denne brugsanvisning.

## SIKKERHEDSADVARSLER

### Almindelige sikkerhedsregler for el-værktøj

**⚠ ADVARSEL:** Læs alle de sikkerhedsadvarsler, instruktioner, illustrationer og specifikationer, der følger med denne maskine. Forsømmelse af at overholde alle nedenstående instruktioner kan medføre elektrisk stød, brand og/eller alvorlig personskade.

## Gem alle advarsler og instruktioner til fremtidig reference.

Ordet "el-værktøj" i advarslerne henviser til det netforsyede (netledning) el-værktøj eller batteriforsyede (akku) el-værktøj.

## Sikkerhedsadvarsler for ledningsfri rundsav

### Fremgangsmåder for skæring

- 1. ⚠ FARE:** Hold hænderne på god afstand af skæreområdet og klingens. Hold den anden hånd på hjælpelhåndtaget eller motorhuset. Hvis De holder saven med begge hænder, kan klingens ikke komme til at skære i dem.
- 2. Ræk ikke ned under arbejdsemnet.** Beskyttelseskærmen kan ikke beskytte Dem mod klingens nedden under arbejdsemnet.
- 3. Justér skæredybden efter tykkelsen af arbejdsemnet.** Mindre end en hel tand i klingetænderne bør være synlig under arbejdsemnet.
- 4. Hold aldrig arbejdsemnet i hænderne eller hen over benet, mens der skæres. Fastgør arbejdsemnet til en stabil platform.** Det er vigtigt at understøtte arbejdsemnet korrekt for at minimere risikoen for udsættelse af kroppen, binding af klingens eller tab af kontrollen.

► Fig.1

- 5. Hold maskinen i dens isolerede gribeblader, når du udfører et stykke arbejde, hvor skæreværktøjet kan komme i berøring med skjulte ledninger.** Kontakt med en strømførende ledning vil bevirke, at blottede metaldele på maskinen også bliver strømførende, hvorved operatøren kan få stød.
- 6. Ved kløvning skal der altid anvendes et parallelsag eller en lige styreskinde.** Dette vil forbedre nøjagtigheden af snittet og mindske risikoen for, at klingens binder.
- 7. Brug altid klinger med akselhuller af den korrekte størrelse og form (kantede eller runde).** Klinger, der ikke svarer til savens monteringsdele, vil rotere skævt, så du mister kontrollen.
- 8. Anvend aldrig beskadigede eller forkeerte spændeskiver og bolte til klingens.** Klingens spændeskiver og bolte er specielt fremstillede til Deres sav og til optimal ydelse og sikker anvendelse.

### Årsager til tilbageslag og relaterede advarsler

- Tilbageslag er en pludselig reaktion på en fastklemt, fastsiddende eller forkert justeret savklinge, som kan medføre, at en ukontrolleret sav løftes opad og ud af arbejdsemnet i retning mod operatøren.
- Når klingens kommer i klemme eller sidder fast, fordi savsnittet lukkes sammen, stopper klingens, og motorreaktionen skubber apparatet hurtigt tilbage mod operatøren.
- Hvis klingens bliver bøjet eller fejlljusteret i snittet, kan tænderne på bagkanten af klingens grave sig ind i træets øverste overflade, hvorved klingens kan smutte ud af savsnittet og springe tilbage i retning mod operatøren.

Tilbageslag skyldes forkert anvendelse af savens og/eller forkert fremgangsmåde for anvendelse eller forkerte forhold og kan undgås ved, at der træffes de rigtige forholdsregler som vist herunder.

- 1. Oprethold et fast greb med begge hænder på savens, og hold armene således, at tilbageslagskraften modvirkes. Stil Dem på siden af klingens, men ikke på linje med den.** Tilbageslag kan bevirke, at savens springer bagud, men tilbageslagskraften kan kontrolleres af operatøren, hvis denne træffer de fornødne forholdsregler.
- 2. Hvis klingens binder, eller hvis skæringen af en eller anden årsag afbrydes, skal De slippe afbryderknappen og holde savens stille i materialet, indtil klingens er standset helt. Forsøg aldrig at fjerne savens fra arbejdsemnet eller at trække savens bagud, mens klingens er i bevægelse, da dette kan medføre tilbageslag.** Undersøg situationen, og træf afhjælpningsforanstaltninger for at eliminere årsagen til, at klingens binder.
- 3. Når savens startes igen i arbejdsemnet, skal du centrere savklingens i savsnittet, så savtænderne ikke sidder fast i emnet.** Hvis savklingens binder, kan den bevæge sig opad eller slå tilbage fra arbejdsemnet, når savens startes igen.
- 4. Anvend store støtteplader til at minimere risikoen for fastklemning af klingens og tilbageslag.** Store plader har tendens til at synke under deres egen vægt. Der skal anbringes støtter under pladerne i begge sider, i nærheden af skærelinjen og nær kanten af pladen.

► Fig.2

► Fig.3

5. **Anvend ikke sløve eller beskadigede klinger.** Uskarpe eller forkert monterede klinger frembringer et snævert savsnit, som medfører kraftig friktion, binding af klingens og tilbageslag.
6. **Låsegrebene til klingedybde og skrånsnitindstilling skal være stramme og sikre, inden skæringen påbegyndes.** Hvis Klingeindstillingen ændrer sig under skæringen, kan der opstå binding og tilbageslag.
7. **Vær særlig forsigtig, når der saves ind i eksisterende vægge eller andre skjulte områder.** Savklingen, som stikker frem, kan komme til at skære i genstande, der kan medføre tilbageslag.
8. **Hold ALTID fast i maskinen med begge hænder. Placér ALDRIG Deres hånd, ben eller nogen del af kroppen under maskinens grundplade eller bag ved saven, især når De foretager krydssnit.** Hvis der opstår tilbageslag, kan saven nemt springe bagud over Deres hånd, hvorved der kan ske alvorlig personskade.

► Fig.4

9. **Pres aldrig saven. Tryk saven fremad med en hastighed, så klingens skæring, uden at hastigheden sænkes.** Hvis De presser saven, kan der opstå uensartede skæringer, tab af præcision og muligt tilbageslag.

**Beskyttelsesskærmens funktion**

1. **Kontroller, at den nederste beskyttelsesskærm lukker korrekt inden hver brug. Anvend ikke saven, hvis den nederste beskyttelsesskærm ikke bevæger sig frit og lukker med det samme. Den nederste beskyttelsesskærm må aldrig fastspændes eller fastbindes i den åbne stilling.** Hvis saven ved et uheld tabes, kan den nederste beskyttelsesskærm blive bøjet. Hæv den nederste beskyttelsesskærm med tilbagetrækningshåndtaget og kontroller, at den bevæger sig frit og ikke kommer i berøring med klingens eller andre dele i alle vinkler og skæredybder.
2. **Kontroller den nederste beskyttelsesskærmfjeders funktion.** Hvis beskyttelsesskærmen og fjederen ikke fungerer korrekt, skal de serviceres inden brugen. Den nederste beskyttelsesskærm kan fungere trægt på grund af beskadigede dele, gummiaflejring eller ansamling af affaldsstoffer.
3. **Den nederste beskyttelsesskærm må kun trækkes tilbage manuelt i tilfælde af specielle snit som for eksempel "stikssnit" eller "kombinerede snit".** Hæv den nederste beskyttelsesskærm ved at trække håndtaget tilbage, og så snart klingens går ind i materialet, bør den nederste beskyttelsesskærm slippes. Ved alle andre former for savning skal den nederste beskyttelsesskærm have lov at bevæge sig automatisk.
4. **Sørg altid for, at den nederste beskyttelsesskærm dækker klingens, inden saven anbringes på bænk eller gulv.** En ubeskyttet, roterende klinge vil bevirke, at saven bevæger sig bagud og skærer i alt, hvad der er i dens bane. Vær opmærksom på den tid, det tager for klingens at stoppe, efter at afbryderen er sluppet.

5. **For at kontrollere den nederste beskyttelsesskærm, skal man åbne den med hånden og derefter slippe den og bekræfte lukningen af skærmen.** Kontroller ligeledes, at tilbagetrækningshåndtaget ikke kommer i berøring med maskinhuset. At efterlade klingens synlig er MEGET FARLIGT og kan føre til alvorlig personskade.

**Supplerende sikkerhedsforskrifter**

1. **Vær ekstra forsigtig, hvis De skærer i fugtigt træ, trykbehandlet tømmer eller træ, som har knaster.** Før maskinen jævnt frem uden at mindske klingens hastighed, således at overophedning af klingens takker undgås.
2. **Forsøg ikke at fjerne afskåret materiale, mens klingen roterer.** Vent, indtil klingens er standset, inden De fjerner afskåret materiale. Klingens fortsætter med at rotere, efter at der er slukket for maskinen.
3. **Undgå at skære i søm. Se efter, om der er søm i tømmeret, og fjern alle søm, inden skæringen påbegyndes.**
4. **Anbring den bredeste del af savgrundpladen på den del af arbejdsområdet, som er solidt understøttet, ikke på den del, som vil falde af, når skæringen er fuldført. Hvis arbejdsområdet er kort eller lille, skal det spændes fast. FORSØG IKKE AT HOLDE KORTE ARBEJDSOMRÅDER FAST MED HÅNDEN!**

► Fig.5

5. **Inden De lægger maskinen fra Dem efter at have fuldført en skæring, skal De sikre Dem, at beskyttelsesskærmen er lukket, og at klingens er standset fuldstændigt.**
6. **Forsøg aldrig at save med rundsaven holdt på hovedet i en skruetvinge. Dette er yderst farligt og kan føre til alvorlige ulykker.**

► Fig.6

7. **Noget materiale indeholder kemikalier, som kan være giftige. Vær påpasselig med ikke at indånde støv, og undgå hudkontakt. Følg fabrikantens sikkerhedsdata.**
8. **Stop ikke klingerne ved hjælp af lateralt tryk på savklingen.**
9. **Anvend ikke slibesliver.**
10. **Anvend kun savklinger med den diameter, der er markeret på maskinen eller specificeret i manualen.** Brug af en klinge med en forkert størrelse kan hindre korrekt afskærmning af klingens eller beskyttelsesskærmens funktion, hvilket kan medføre alvorlig personskade.
11. **Hold altid klingens skarp og ren.** Gummi og træbælg, som er størket på klingens, gør savens langsommere og øger risikoen for tilbageslag. Hold altid klingens ren ved først at tage den af maskinen og derefter rengøre den med en gummi- og begfjerner, varmt vand eller petroleum. Anvend aldrig benzin.
12. **Bær altid støvmaske og høreværn, når De anvender maskinen.**
13. **Brug altid en savklinge, der er beregnet til at skære i det materiale, du skal skære i.**
14. **Brug kun savklinger, der er mærket med en hastighed svarende til eller større end den hastighed, der er angivet på maskinen.**
15. **(Kun for lande i Europa)**  
**Brug altid en klinge, der overholder EN847-1.**



16. **Placer maskinen og delene på en flad og stabil overflade.** Ellers kan maskinen eller delene muligvis falde ned og forårsage personskade.

## GEM DISSE FORSKRIFTER.

**⚠ ADVARSEL:** LAD IKKE bekvemmelighed eller kendskab til produktet (opnået gennem gentagen brug) forhindre, at sikkerhedsforskrifterne for produktet nøje overholdes. MISBRUG eller forsvømmelse af at følge de i denne brugsvejledning givne sikkerhedsforskrifter kan medføre alvorlig personskade.

## Vigtige sikkerhedsinstruktioner for akkuen

1. **Læs alle instruktioner og advarselmærkater på (1) akku-opladeren, (2) akkuen og (3) produktet, som anvender akku.**
2. **Adskil eller ændr ikke akkuen.** Det kan muligvis resultere i en brand, overdreven varme eller eksplosion.
3. **Hold straks op med anvendelsen, hvis brugstiden er blevet stærkt afkortet. Fortsat anvendelse kan resultere i risiko for overophedning, forbrændinger og endog eksplosion.**
4. **Hvis De har fået elektrolytvæske i øjnene, skal De straks skylle den ud med rent vand og derefter øjeblikkeligt søge lægehjælp. I modsat fald kan De miste synet.**
5. **Vær påpasselig med ikke at komme til at kortslutte akkuen:**
  - (1) Rør ikke ved terminalerne med noget ledende materiale.
  - (2) Undgå at opbevare akkuen i en beholder sammen med andre genstande af metal, for eksempel søm, mønter og lignende.
  - (3) Udsæt ikke akkuen for vand eller regn. Kortslutning af akkuen kan forårsage en kraftig øgning af strømmen, overophedning, mulige forbrændinger og endog værktøjstop.
6. **Opbevar og brug ikke maskinen og akkuen på steder, hvor temperaturen muligvis kan nå eller overstige 50 °C.**
7. **Lad være med at brænde akkuen, selv ikke i tilfælde, hvor den har lidt alvorlig skade eller er fuldstændig udtjent. Akkuen kan eksplodere, hvis man forsøger at brænde den.**
8. **Slå ikke søm i, skær ikke i, knus, kast, tab ikke akkuen og stød ikke akkuen mod en hård genstand.** Sådan adfærd kan muligvis resultere i en brand, overdreven varme eller eksplosion.
9. **Anvend ikke en beskadiget akku.**
10. **De indbyggede litium-ion-batterier er underlagt lovkrav vedrørende farligt gods.**

Ved kommerciel transport, f.eks. af tredjeparts transportselskaber, skal særlige krav til forpakning og mærkning overholdes.

Ved forberedelse af udstyret til forsendelse skal du kontakte en ekspert i farligt gods. Overhold også eventuel mere detaljeret national lovgivning.

Tape eller tildæk åbne kontakter, og pak batteriet på en måde, så det ikke kan flytte sig rundt i pakningen.

11. **Når akkuen bortscaffes, skal du fjerne den fra maskinen og bortscaffe den på et sikkert sted. Følg de lokale love vedrørende bortscaffelsen af batterier.**
12. **Brug kun batterierne med de produkter, som Makita specificerer.** Hvis batterierne installeres i ikke-kompatible produkter, kan det medføre brand, kraftig varme, eksplosion eller udsivning af elektrolyt.
13. **Hvis maskinen ikke skal bruges i længere tid ad gangen, skal du fjerne batteriet fra maskinen.**
14. **Akkuen kan muligvis under og efter brug være varm, hvilket kan forårsage forbrændinger eller lavtemperaturforbrændinger. Vær påpasselig med håndtering af varme akkuer.**
15. **Rør ikke terminalen på maskinen straks efter brug, da den bliver varm nok til at forårsage forbrændinger.**
16. **Sørg for, at spåner, støv eller jord ikke sætter sig fast i akkuens terminaler, huller og riller.** Det kan forårsage opvarmning, antændelse, sprængning og funktionsfejl i maskinen eller akkuen, hvilket kan medføre forbrændinger eller personskade.
17. **Medmindre maskinen understøtter brugen i nærheden af elektriske højspændingsledninger, skal du ikke anvende akkuen i nærheden af elektriske højspændingsledninger.** Det kan muligvis medføre funktionsfejl på eller nedbrud af maskinen eller akkuen.
18. **Opbevar batteriet utilgængeligt for børn.**

## GEM DENNE BRUGSANVISNING.

**⚠ FORSIGTIG:** Brug kun originale batterier fra Makita. Brug af uoriginale Makita-batterier, eller batterier som er blevet ændret, kan muligvis medføre brud på batteriet, hvilket kan forårsage brand, personskade eller beskadigelse. Det ugyldiggør også Makita-garantien for Makita-maskinen og opladeren.

## Tips til opnåelse af maksimal akku-levetid

1. **Oplad akkuen, inden den er helt afladet. Stop altid værktøjet, og oplad akkuen, hvis De bemærker, at værktøjeffekten er aftagende.**
2. **Genoplad aldrig en fuldt opladet akku. Overopladning vil afkorte akkuens levetid.**
3. **Oplad akkuen ved stuetemperatur ved 10 °C - 40 °C. Lad altid en varm akku få tid til at køle af, inden den oplades.**
4. **Når du ikke anvender akkuen, skal du fjerne den fra maskinen eller opladeren.**
5. **Oplad akkuen, hvis De ikke skal bruge den i længere tid (mere end seks måneder).**

## Vigtige sikkerhedsinstruktioner for trådløs enhed

1. Undlad at adskille eller ændre den trådløse enhed.
2. Opbevar den trådløse enhed utilgængeligt for små børn. Søg øjeblikkeligt læge, hvis den sluges ved et uheld.
3. Brug kun den trådløse enhed sammen med maskiner fra Makita.
4. Udsæt ikke den trådløse enhed for regn eller våde omgivelser.
5. Brug ikke den trådløse enhed på steder, hvor temperaturen overskrider 50 °C.
6. Brug ikke den trådløse enhed i nærheden af medicinske instrumenter som f.eks. pacemakere.
7. Brug ikke den trådløse enhed i nærheden af automatiske enheder. Hvis den bruges, kan automatiske enheder udvikle fejlfunktion eller fejl.
8. Undlad at betjene den trådløse enhed på steder med høje temperaturer eller steder, hvor der kan genereres statisk elektricitet eller elektrisk støj.
9. Den trådløse enhed kan frembringe elektromagnetiske felter (EMF), men de er ikke skadelige for brugeren.
10. Den trådløse enhed er et præcisionsinstrument. Undgå at tabe eller slå på den trådløse enhed.
11. Undgå at berøre terminalen på den trådløse enhed med de bare hænder eller metalliske materialer.
12. Tag altid batteriet ud af produktet, når den trådløse enhed monteres på det.
13. Når låget på åbningen åbnes, skal du undgå steder, hvor der kan komme støv eller vand ind i åbningen. Hold altid indgangen til åbningen ren.
14. Indsæt altid den trådløse enhed i den rigtige retning.
15. Undgå at trykke for hårdt på den trådløse aktiveringsknap på den trådløse enhed og/eller at trykke på knappen med en genstand med en skarp kant.
16. Luk altid låget på åbningen under brug.
17. Undlad at fjerne den trådløse enhed fra åbningen, når der er sluttet strøm til maskinen. Hvis du gør dette, kan det medføre funktionsfejl i den trådløse enhed.
18. Undlad at fjerne etiketten på den trådløse enhed.
19. Undlad at sætte nogen etiket på den trådløse enhed.
20. Lad ikke den trådløse enhed ligge på steder, hvor der kan genereres statisk elektricitet eller elektrisk støj.
21. Lad ikke den trådløse enhed ligge på steder, der er udsat for høj varme, for eksempel en bil, der står i solen.
22. Lad ikke den trådløse enhed ligge på et sted med støv eller pulver eller på et sted, hvor der kan udvikles ætsende gas.

23. En pludselig temperaturændring kan forårsage dug på den trådløse enhed. Brug ikke den trådløse enhed, før duggen er tørret helt bort.
24. Ved rengøring af den trådløse enhed skal den aftørres forsigtigt med en tør, blød klud. Brug ikke rensbenzin, fortynder, ledende fedtstof eller lignende.
25. Ved opbevaring af den trådløse enhed skal den opbevares i den medfølgende æske eller i en beholder, der er fri for statisk elektricitet.
26. Indsæt ikke andre enheder end den trådløse enhed fra Makita i åbningen på maskinen.
27. Undlad at bruge maskinen, hvis låget til åbningen er beskadiget. Vand, støv og snavs, der kommer ind i åbningen, kan forårsage fejlfunktion.
28. Undlad at trække og/eller vride låget til åbningen mere end nødvendigt. Sæt låget på igen, hvis det falder af maskinen.
29. Udsift låget til åbningen, hvis det bliver væk eller ødelægges.

## GEM DISSE FORSKRIFTER.

### FUNKTIONSBESKRIVELSE

**⚠FORSIGTIG:** Sørg altid for at maskinen er slukket, og at akkuen er taget ud, før der udføres justering eller kontrol af funktioner på maskinen.

### Isætning eller fjernelse af akkuen

**⚠FORSIGTIG:** Sluk altid for værktøjet, før De monterer eller fjerner akkuen.

**⚠FORSIGTIG:** Hold værktøjet og akkuen fast ved montering eller fjernelse af akkuen. Hvis De ikke holder værktøjet og akkuen fast, kan de glide ud af hænderne på Dem og forårsage beskadigelse af værktøjet og akkuen eller personskaade.

► Fig. 7: 1. Rød indikator 2. Knap 3. Akku

Akkuen fjernes ved, at De trækker den ud af værktøjet, idet De skyder knappen på forsiden af akkuen i stilling.

For at montere akkuen skal du justere tungen på akkuen med rillen i huset og skubbe den på plads. Indsæt den hele vejen, indtil den låses på plads med et lille klik. Hvis du kan se den røde indikator, som vist i figuren, er den ikke helt låst.

**⚠FORSIGTIG:** Monter altid akkuen helt, indtil den røde indikator ikke længere er synlig. Hvis dette ikke gøres, kan den falde ud af værktøjet ved et uheld, hvorved De selv eller personer i nærheden kan komme til skade.

**⚠FORSIGTIG:** Brug ikke magt ved montering af akkuen. Hvis akkuen ikke glider på plads uden problemer, betyder det, at den ikke sættes i på korrekt vis.

## Beskyttelsessystem til værktøj/batteri

Værktøjet er forsynet med et beskyttelsessystem til værktøj/batteri. Dette system afbryder automatisk strømmen til motoren for at forlænge levetiden for værktøjet og batteriet. Værktøjet stopper automatisk under driften, hvis det eller batteriet kommer i en af følgende situationer. I nogle tilfælde lyser indikatorerne.

### Overbelastningsbeskyttelse

Når maskinen/batteriet betjenes på en måde, der får den/det til at trække en unormalt høj strøm, stopper maskinen automatisk. I denne situation skal du slukke for maskinen og stoppe den anvendelse, der fik maskinen til at blive overbelastet. Tænd derefter maskinen for at starte igen.

### Beskyttelse mod overophedning

Når maskinen/batteriet er overophedet, stopper maskinen automatisk. Lad i så fald maskinen køle ned, før der tændes for maskinen igen.

**BEMÆRK:** Når maskinen er overophedet, blinker lampen.

### Beskyttelse mod afladning

Når batteriladningen bliver for lav, stopper værktøjet automatisk. Hvis produktet ikke fungerer, selvom kontakterne betjenes, skal De tage batterierne ud af værktøjet og lade batterierne op.

### Beskyttelse mod andre årsager

Beskyttelsessystemet er også designet til andre årsager, der kan beskadige maskinen og giver maskinen mulighed for at stoppe automatisk. Benyt alle nedenstående trin for at fjerne årsagerne, når maskinen midlertidigt er blevet bragt til standsning eller sat ud af drift.

1. Sluk for maskinen, og tænd den derefter igen for at genstarte.
2. Genoplad batteriet/batterierne, eller udskift det/dem med genopladet batteri/genopladede batterier.
3. Lad maskinen og batteriet/batterierne køle ned.

Hvis der ikke sker nogen forbedring ved at gen-danne beskyttelsessystemet, kontaktes det lokale Makita-servicecenter.

### Indikation af den resterende batteriladning

Tryk på kontrolknappen på akkuen for at få vist den resterende batteriladning. Indikatorlampen lyser i nogle sekunder.

► **Fig.8:** 1. Indikatorlamper 2. Kontrolknap

Indikatorlamper			Resterende ladning
Tændt	Slukket	Blinker	
■ ■ ■ ■	□ □ □ □	▬	75% til 100%
■ ■ ■ □	□ □ □ □	▬	50% til 75%
■ ■ □ □	□ □ □ □	▬	25% til 50%
■ □ □ □	□ □ □ □	▬	0% til 25%
▬ □ □ □	□ □ □ □	▬	Genoplad batteriet.
■ ■ □ □	□ □ □ □	▬	Der er muligvis fejl i batteriet.
□ □ ■ ■	□ □ □ □	▬	

**BEMÆRK:** Afhængigt af brugsforholdene og den omgivende temperatur kan indikationen afvige en smule fra den faktiske ladning.

**BEMÆRK:** Den første indikatorlampe (længst mod venstre) vil blinke, når batteribeskyttelsessystemet aktiveres.

### Afbryderbetjening

**⚠ ADVARSEL:** Inden akkuen sættes i maskinen, bør De altid kontrollere, at afbryderknappen fungerer korrekt, og returnerer til "OFF"-positionen, når den slippes.

**⚠ ADVARSEL:** Omgå ALDRIG lås fra-knappens funktion ved at tape den fast eller på andre måder. En afbryder med en blokeret lås fra-knap kan medføre utilsigtet funktion og alvorlig personskade.

**⚠ ADVARSEL:** Brug ALDRIG maskinen, hvis den kører, når du blot trykker på afbryderknappen uden at trykke på lås fra-knappen. En afbryder, der skal repareres, kan medføre utilsigtet funktion og alvorlig personskade. Returner maskinen til et Makita-servicecenter for nødvendige reparationer INDEN yderligere brug.

For at forhindre utilsigtet indtrykning af afbryderknappen er maskinen udstyret med en lås fra-knap. For at starte maskinen skal man trykke på lås fra-knappen ind og trykke på afbryderknappen. Slip afbryderknappen for at stoppe.

► **Fig.9:** 1. Afbryderknap 2. Lås fra-knap

**BEMÆRKNING:** Tryk ikke hårdt på afbryderkontakten uden først at trykke på lås fra-knappen ind. Dette kan ødelægge afbryderkontakten.

**⚠ FORSIGTIG:** Maskinen begynder med det samme at bremse rundsavsklingens bevægelse, når du slipper afbryderknappen. Hold godt fast i maskinen for at reagere på bremsereaktionen, når du slipper afbryderknappen. Pludselig reaktion kan kaste maskinen ud af hånden på dig og medføre personskade.

## Justering af skæredybde

**⚠FORSIGTIG:** Spænd altid håndtaget forsvarligt til efter justering af skæredybden.

Løsn håndtaget på dybdeguiden og flyt grundpladen op og ned. Ved den ønskede skæredybde gøres grundpladen fast ved at spænde håndtaget til.

Renere og sikrere snit kan opnås, hvis man indstiller skæredybden således, at ikke flere end en enkelt savtand stikker ud under arbejdsstykket. Anvendelse af en rigtig skæredybde bidrager til at reducere risikoen for farlige TILBAGESLAG, som kan medføre personskaade.

► **Fig.10:** 1. Håndtag

**BEMÆRKNING:** Hvis grundpladen ikke glider jævnt op eller ned, er dybdeguiden muligvis blevet vipet. I dette tilfælde skal du justere dybdeguiden (se afsnittet om justering af dybdeguiden).

## Skråsnit

**⚠FORSIGTIG:** Spænd altid spændeskruerne forsvarligt til efter justering af skråsnitsvinklen.

Løsn spændeskruerne. Indstil til den ønskede vinkel ved at udføre den rigtige hældning, og stram derefter spændeskruerne godt til.

► **Fig.11:** 1. Spændeskruer

## Positiv stopper

Den positive stopper er nyttig til hurtig indstilling af den designerede vinkel. Drej den positive stopper, så pilen på den peger på den ønskede skråsnitsvinkel (ca. 22,5°/45°/60°). Løsn håndtaget, og vip derefter maskinens grundplade, indtil den stopper. Den position, hvor maskinens grundplade stopper, er den vinkel, du har indstillet med den positive stopper. Tilspænd håndtaget med maskinens grundplade i denne position.

► **Fig.12:** 1. Positiv stopper

## -1° skråsnit

Hvis du vil foretage et -1° skråsnit, skal du løse spændeskruerne og trykke håndtagene i pilens retning på figuren. Indstil derefter skråsnitsvinklen til -1°, og stram spændeskruerne.

► **Fig.13:** 1. Håndtag

## Indstilling

Ved lige snit rettes 0°-positionen på forkanten af grundpladen ind efter skærelinjen. Ved 45° skråsnit rettes 45°-positionen ind efter den.

► **Fig.14:** 1. Skærelinje (0°-position) 2. Skærelinje (45°-position)

## Tænding af lampen

**⚠FORSIGTIG:** Kig aldrig direkte på lyskilden. Lad ikke lyset falde i Deres øjne.

Hvis du vil tænde lampen uden at starte maskinen, skal du trykke på afbryderknappen uden at trykke på lås fra-knappen. Hvis du vil tænde lampen, mens maskinen kører, skal du trykke på og holde lås fra-knappen og trykke på afbryderknappen.

Lampen slukkes, 10 sekunder efter at afbryderknappen slippes.

► **Fig.15:** 1. Lampe

**BEMÆRK:** Brug en tør klud til at tørre snavset af lampens linse. Pas på ikke at ridse lampens linse, da dette muligvis kan dæmpe belysningen.

## Elektrisk bremse

Maskinen har en elektrisk klingebræms. Hvis maskinen konsekvent ikke stopper rundsavsklingen hurtigt, når kontakthåndtaget slippes, skal der udføres service på maskinen på et Makita servicecenter.

**⚠FORSIGTIG:** Klingebremsesystemet er ikke en erstatning for en beskyttelseskærm. ANVEND ALDRIG MASKINEN UDEN EN FUNGERENDE BESKYTTELSESKÆRM. DETTE KAN MEDFØRE ALVORLIG PERSONSKADE.

## Elektronisk funktion

Maskiner, der er udstyret med elektronisk funktion, er nemme at betjene på grund af følgende funktion(er).

### Funktion til blød start

Blød start, fordi ryk ved start dæmpes.

### Konstant hastighedskontrol

Elektronisk hastighedskontrol til opnåelse af konstant hastighed. Det er muligt at få en pæn finish, fordi rotationshastigheden holdes konstant, selv under belastningsforhold.

## SAMLING

**⚠FORSIGTIG:** Sørg altid for at maskinen er slukket, og at akkuen er taget ud, før der udføres noget arbejde på maskinen.

## Opbevaring af unbrakonøgle

Når unbrakonøglen ikke anvendes, skal den opbevares som vist på illustrationen, så den ikke bortkommer.

► **Fig.16:** 1. Unbrakonøgle

## Montering af undergrundplade

Monter undergrundpladen og spænd spændeskruerne fast som vist på figuren.

Brug altid maskinen med undergrundpladen medmindre du anvender styreskinnen.

► **Fig.17:** 1. Spændeskruer 2. Undergrundplade

## Montering eller afmontering af rundsavsklinge

**⚠️ FORSIGTIG:** Sørg for at montere rundsavsklingen med dens tænder vendende opad på den forreste del af maskinen.

**⚠️ FORSIGTIG:** Anvend kun Makita-nøglen til montering og afmontering af rundsavsklingen.

1. Løsn håndtaget på dybdestyret, og flyt grundpladen ned.

► **Fig.18:** 1. Håndtag

2. Monter den indre flange, ring (landespecifik), rundsavsklinge, ydre flange og sekskantbolt. På dette tidspunkt skal du justere pilens retning på klingen med pilen på maskinen.

### Til maskiner uden ring

► **Fig.19:** 1. Sekskantbolt 2. Ydre flange  
3. Rundsavsklinge 4. Indre flange 5. Pil på rundsavsklingen 6. Pil på maskinen

### Til maskiner med ring

► **Fig.20:** 1. Sekskantbolt 2. Ydre flange  
3. Rundsavsklinge 4. Ring 5. Indre flange  
6. Pil på rundsavsklingen 7. Pil på maskinen

3. Tryk skaftlåsen helt ind, så rundsavsklingen ikke kan dreje, og brug unbrakonøglen til at tilspænde sekskantboltten.

► **Fig.21:** 1. Skaftlås 2. Unbrakonøgle 3. Løsn  
4. Tilspænd

Følg monteringsvejledningen i omvendt rækkefølge for at afmontere rundsavsklingen.

## Til maskiner med den indre flange til savklinger med en anden hul diameter end 15,88 mm

Den indre flange har et fremspring med en bestemt diameter på den ene side og et fremspring med en anden diameter på den anden side. Vælg den rigtige side, hvor fremspringet passer perfekt ind i hullet på savklingen. Monter den indre flange på monteringskaffet, så den rigtige side af fremspringet på den indre flange vender udad, og placer derefter savklingen og den ydre flange.

► **Fig.22:** 1. Monteringskaffet 2. Indre flange  
3. Rundsavsklinge 4. Ydre flange  
5. Sekskantbolt

**⚠️ ADVARSEL:** SØRG FOR AT STRAMME SEKSKANTBOLTEN FAST I RETNINGEN MED URET. Pas også på ikke at tilspænde boltten for kraftigt. Hvis din hånd glider af unbrakonøglen, kan det medføre personskaade.

**⚠️ ADVARSEL:** Sørg for, at fremspringet "a" på den indre flange, der er placeret på ydersiden, passer perfekt ind i hullet "a" på savklingen. Hvis klingen monteres på den forkerte side, kan det medføre farlig vibration.

## Til maskiner med den indre flange til savklinger med en hul diameter på 15,88 mm (landespecifik)

Monter den indre flange med siden med fordybningen udad på monteringskaffet, og placer derefter savklingen (med ringen monteret, hvis det er nødvendigt), den ydre flange og sekskantboltten.

### Til maskiner uden ring

► **Fig.23:** 1. Monteringskaffet 2. Indre flange  
3. Rundsavsklinge 4. Ydre flange  
5. Sekskantbolt

### Til maskiner med ring

► **Fig.24:** 1. Monteringskaffet 2. Indre flange  
3. Rundsavsklinge 4. Ydre flange  
5. Sekskantbolt 6. Ring

**⚠️ ADVARSEL:** SØRG FOR AT STRAMME SEKSKANTBOLTEN FAST I RETNINGEN MED URET. Pas også på ikke at tilspænde boltten for kraftigt. Hvis din hånd glider af unbrakonøglen, kan det medføre personskaade.

**⚠️ ADVARSEL:** Hvis ringen er nødvendig for at montere klingen på spindelens, skal du altid sikre dig, at den korrekte ring til klingens dornhul, som du vil anvende, er installeret mellem de indre og ydre flanger. Brug af en ring med et forkert dornhul kan medføre forkert montering af klingen, så klingen bevæger sig og forårsager kraftig vibration, hvilket kan medføre, at du mister herredømmet under anvendelsen, og forårsage alvorlig personskaade.

## Rengøring af beskyttelseskærmen

Når rundsavsklingen udskiftes, skal du også sørge for at rengøre den øverste og nederste beskyttelseskærm for ophobet savsmuld, som omtalt i afsnittet Vedligeholdelse. Sådanne tiltag erstatter ikke nødvendigheden af at den nederste beskyttelseskærms funktionsgang kontrolleres inden hver brug.

## Tilslutning af en støvsuger

### Ekstraudstyr

Når du ønsker at udføre savning, uden at det snavser så meget, kan du tilslutte en Makita-støvsuger til maskinen. Slut støvsugerens slange til støvmundstykket ved hjælp af den forreste manchet 24.

► **Fig.25:** 1. Støvsugerens slange 2. Forreste manchet 24 3. Støvmundstykke

## Justering af vinkel af støvmundstykke

Vinklen på støvmundstykket kan blive justeret ved hjælp af rotation af støvmundstykket.

Når maskinen betjenes uden tilslutning til en støvsuger, skal støvmundstykket vendes nedad for at forhindre, at operatøren udsættes for savsmuld.

Når maskinen betjenes uden tilslutning til en støvsuger, skal støvmundstykket vendes opad, så støvsugerens slange ikke sætter sig fast i arbejdsområdet eller styreskinnen.

► **Fig.26:** 1. Støvmundstykke

# ANVENDELSE

Denne maskine er kun beregnet til at skære i træprodukter.

Se vores websted, eller kontakt den lokale Makita-forhandler angående de korrekte rundsavsklinger, der skal bruges til det materiale, der skal skæres.

Brug ikke maskinen uden undergrundpladen undtagen når du anvender styreskinnen.

## Kontrol af beskyttelsesskærmens funktion

Afmonter akkuen.

Indstil skråsnitsvinklen til 0°, og træk derefter den nederste beskyttelsesskærm manuelt til enden og slip den. Den nederste beskyttelsesskærm fungerer korrekt, hvis:

- den trækkes over grundpladen uden nogen hindring og,
- den automatisk vender tilbage og får kontakt med stopperen.

► **Fig.27:** 1. Øverste beskyttelsesskærm 2. Nederste beskyttelsesskærm 3. Grundplade 4. Stopper 5. Åbn 6. Luk

Hvis den nederste beskyttelsesskærm ikke fungerer ordentligt, skal du kontrollere, om savstøv er akkumuleret inde i de øverste og nederste beskyttelsesskærme. Hvis den nederste beskyttelsesskærm ikke fungerer ordentligt, selv efter at have fjernet støvet, skal der udføres service på maskinen på et Makita servicecenter.

## Skærearbejde

**⚠FORSIGTIG:** Bær støvmaske under udførelse af skærearbejdet.

**⚠FORSIGTIG:** Sørg for at føre maskinen forsigtigt frem i en lige linje. Hvis maskinen tvinges eller drejes, vil resultatet blive overophedning af motoren og farligt tilbageslag med risiko for alvorlig personskade.

**BEMÆRK:** Når akkuens temperatur er lav, arbejder maskinen muligvis ikke med fuld kapacitet. På dette tidspunkt kan du for eksempel anvende maskinen til et lettere snit i et stykke tid, indtil akkuen bliver lige så varm som rumtemperaturen. Derefter kan maskinen arbejde med dens fulde kapacitet.

► **Fig.28**

Hold godt fast i maskinen. Maskinen er udstyret med både et fronthåndtag og et baghåndtag. Anvend begge, så det bedste greb om maskinen opnås. Hvis du holder i maskinen med begge hænder, kan du ikke skære hænderne på rundsavsklingen. Indstil grundpladen på arbejdsemnet til skæring uden at rundsavsklingen kommer i kontakt. Tænd derefter for maskinen og vent indtil rundsavsklingen er kommet op på fuld hastighed. Bevæg nu ganske enkelt maskinen fremad og hen over arbejdsemnets overflade, idet du holder den fladt og fremfører den jævnt, indtil savningen er fuldført.

For at opnå rene snit, skal du holde savelinjen lige og fremføringshastigheden jævn. Hvis snittet ikke følger din planlagte skærelinje på korrekt vis, må du ikke forsøge at dreje eller tvinge maskinen tilbage til skærelinjen. Dette kan låse rundsavsklingen og føre til farlige tilbageslag og eventuel alvorlig personskade. Slip afbryderen og vent til rundsavsklingen er stoppet, og træk derefter maskinen tilbage. Sæt maskinen ud for en ny skærelinje og begynd at save igen. Prøv at undgå en placering, som udsætter operatøren for spåner og savsmuld, som frembringes af saven. Anvend øjenbeskyttelse, så tilskadekomst undgås.

**BEMÆRK:** Når der foretages geringssnit osv., bevæger den nederste beskyttelsesskærm sig ikke nemt. På dette tidspunkt skal du anvende tilbagetrækningshåndtaget til at hæve den nederste beskyttelsesskærm for at starte snittet, og så snart klingens går ind i materialet, skal du slippe tilbagetrækningshåndtaget.

► **Fig.29:** 1. Tilbagetrækningshåndtag

## Undergrundplade (styreplade)

**⚠FORSIGTIG:** Kontroller før brugen, at undergrundpladen (styrepladen) er forsvarligt monteret i den korrekte position. Forkert montering kan medføre farligt tilbageslag.

Hvis du bruger undergrundpladen som styreplade, kan du foretage ekstra præcise lige snit. Løsn spændeskruerne, og skub undergrundpladen ud fra maskinen, og indsæt den derefter med bunden i vejret.

► **Fig.30:** 1. Spændeskruer 2. Undergrundplade

Skub helt enkelt anslaget på undergrundpladen op mod siden af arbejdsemnet, og fastgør det på stedet med spændeskruerne. Det muliggør også gentagne snit med ens bredde.

► **Fig.31:** 1. Spændeskruer 2. Undergrundplade

## Styreskinne

### Ekstraudstyr

**⚠FORSIGTIG:** Sørg altid for at maskinen er slukket, og at akkuen er taget ud, før der udføres noget arbejde på maskinen.

**BEMÆRKNING:** Fjern undergrundpladen når du anvender styreskinnen.

Placer maskinen på styreskinns bagende. Drej to justeringsskruer på maskinens grundplade, så maskinen glider jævnt uden at klapre. Hold godt fast i både fronthåndtaget og baghåndtaget på maskinen. Monter akkuen. Tænd for maskinen, og skær overfladebeskytteren i hele længden i én arbejdsgang. Nu svarer kanten af overfladebeskytteren til skærekanten.

► **Fig.32:** 1. Justeringsskruer

Når du foretager skråsnit med styreskinnen, skal du bruge glidehåndtaget til at forhindre, at maskinen vælter.

Flyt glidehåndtaget på maskinens grundplade i pilens retning, så det griber fat i den underskårne rille på styreskinnen.

► **Fig.33:** 1. Glidehåndtag



# TRÅDLØS AKTIVERINGSFUNKTION

## Hvad kan du foretage dig med den trådløse aktiveringsfunktion

Den trådløse aktiveringsfunktion muliggør ren og behagelig anvendelse. Hvis der slutes en understøttet støvsuger til maskinen, kan du lade støvsugeren køre automatisk, når kontakten på maskinen betjenes.

### ► Fig.34

Hvis du vil bruge den trådløse aktiveringsfunktion, skal du forberede følgende genstande:

- En trådløs enhed (ekstraudstyr)
- En støvsuger, der understøtter den trådløse aktiveringsfunktion

Følgende er et overblik over indstilling af den trådløse aktiveringsfunktion. Se de enkelte afsnit for detaljerede procedurer.

1. Montering af en trådløs enhed
2. Maskinregistrering til støvsugeren
3. Start af den trådløse aktiveringsfunktion

## Montering af en trådløs enhed

### Ekstraudstyr

**⚠ FORSIGTIG:** Placer maskinen på en flad og stabil overflade, når den trådløse enhed monteres.

**BEMÆRKNING:** Fjern støv og snavs fra maskinen, før den trådløse enhed monteres. Støv eller snavs kan forårsage funktionsfejl, hvis det kommer ind i åbningen til den trådløse enhed.

**BEMÆRKNING:** For at forhindre fejlfunktion forårsaget af statisk elektricitet skal du berøre et statisk afledende materiale som f.eks. en metaldele på maskinen, før du tager den trådløse enhed op.

**BEMÆRKNING:** Ved montering af den trådløse enhed skal du altid sikre dig, at den trådløse enhed er indsat i den korrekte retning, og at låget er lukket helt.

1. Åbn låget på maskinen som vist på figuren.

### ► Fig.35: 1. Låg

2. Indsæt den trådløse enhed i åbningen, og luk derefter låget.

Ved indsættelse af den trådløse enhed skal fremspringene justeres i forhold til de forsenkede dele på åbningen.

### ► Fig.36: 1. Trådløs enhed 2. Forspring 3. Låg 4. Forsænket del

Ved fjernelse af den trådløse enhed åbnes låget langsomt. Krogene bag på låget løfter den trådløse enhed, når du trækker låget op.

### ► Fig.37: 1. Trådløs enhed 2. Krog 3. Låg

Når den trådløse enhed er fjernet, skal den opbevares i den medfølgende æske eller i en beholder, der er fri for statisk elektricitet.

**BEMÆRKNING:** Brug altid krogene bag på låget ved fjernelse af den trådløse enhed. Hvis krogene ikke griber fat i den trådløse enhed, skal du lukke låget helt og åbne det langsomt igen.

## Maskinregistrering til støvsugeren

**BEMÆRK:** Du skal bruge en Makita-støvsuger, der understøtter den trådløse aktiveringsfunktion, til maskinregistreringen.

**BEMÆRK:** Afslut monteringen af den trådløse enhed på maskinen, før maskinregistreringen startes.

**BEMÆRK:** Under maskinregistreringen må du ikke trykke på afbryderknappen eller tænde for hovedafbryderen på støvsugeren.

**BEMÆRK:** Se også i brugsanvisningen til støvsugeren.

Hvis du vil aktivere støvsugeren, når kontakten på maskinen betjenes, skal du først afslutte maskinregistreringen.

1. Sæt batterierne i støvsugeren og maskinen.

2. Sæt standby-kontakten på støvsugeren til "AUTO".

### ► Fig.38: 1. Standby-kontakt

3. Tryk på den trådløse aktiveringsknop på støvsugeren i 3 sekunder, indtil den trådløse aktiveringslampe blinker grønt. Tryk derefter på den trådløse aktiveringsknop på maskinen på samme måde.

### ► Fig.39: 1. Trådløs aktiveringsknop 2. Trådløs aktiveringslampe

Hvis støvsugeren og maskinen sammenkædes korrekt, lyser de trådløse aktiveringslamper grønt i 2 sekunder og begynder at blinke blåt.

**BEMÆRK:** De trådløse aktiveringslamper holder op med at blinke grønt efter 20 sekunder. Tryk på den trådløse aktiveringsknop på maskinen, når den trådløse aktiveringslampe på støvsugeren blinker. Hvis den trådløse aktiveringslampe ikke blinker grønt, skal du trykke kortvarigt på den trådløse aktiveringsknop og holde den nede igen.

**BEMÆRK:** Når der udføres to eller flere maskinregistreringer for én støvsuger, skal maskinregistreringerne udføres en for en.

## Start af den trådløse aktiveringsfunktion

**BEMÆRK:** Afslut maskinregistreringen for støvsugeren før den trådløse aktivering.

**BEMÆRK:** Se også i brugsanvisningen til støvsugeren.

Når en maskine er registreret til støvsugeren, kører støvsugeren automatisk, når kontakten på maskinen betjenes.

1. Monter den trådløse enhed på maskinen.

2. Slut støvsugerens slange til maskinen.

### ► Fig.40

3. Sæt standby-kontakten på støvsugeren til "AUTO".

### ► Fig.41: 1. Standby-kontakt



4. Tryk kortvarigt på den trådløse aktiveringsknap på maskinen. Den trådløse aktiveringslampe blinker blåt.

► **Fig.42:** 1. Trådløs aktiveringsknap 2. Trådløs aktiveringslampe

5. Tænd for maskinen. Kontroller, om støvsugeren kører, mens maskinen er i drift.

Tryk på den trådløse aktiveringsknap på maskinen for at stoppe den trådløse aktivering af støvsugeren.

**BEMÆRK:** Den trådløse aktiveringslampe på maskinen holder op med at blinke blåt, hvis der ikke sker nogen betjening i 2 timer. Indstil i så fald standby-kontakten på støvsugeren til "AUTO", og tryk på den trådløse aktiveringsknap på maskinen igen.

**BEMÆRK:** Støvsugeren starter/stopper med en forsinkelse. Der er en forsinkelse, når støvsugeren registrerer en betjening af kontakten på maskinen.










**BEMÆRK:** Den trådløse enheds transmissionsafstand kan variere afhængigt af placeringen og de omgivende forhold.

**BEMÆRK:** Når to eller flere maskiner er registreret til én støvsuger, kan støvsugeren begynde at køre, selvom du ikke tænder for maskinen, fordi en anden bruger anvender den trådløse aktiveringsfunktion.

## Beskrivelse af den trådløse aktiveringslampes status

► **Fig.43:** 1. Trådløs aktiveringslampe

Den trådløse aktiveringslampe viser status for den trådløse aktiveringsfunktion. Se i tabellen nedenfor vedrørende betydningen af lampens status.

Status	Trådløs aktiveringslampe			Varighed	Beskrivelse
	Farve	 Tændt	 Blinker		
Standby	Blå			2 timer	Den trådløse aktivering af støvsugeren er tilgængelig. Lampen slukkes automatisk, hvis der ikke sker nogen betjening i 2 timer.
				Når maskinen kører.	Den trådløse aktivering af støvsugeren er tilgængelig, og maskinen kører.
Maskinregistrering	Grøn			20 sekunder	Klar til maskinregistrering. Venter på registrering fra støvsugeren.
				2 sekunder	Maskinregistreringen er fuldført. Den trådløse aktiveringslampe begynder at blinke blåt.
Annullerer maskinregistrering	Rød			20 sekunder	Klar til annullering af maskinregistrering. Venter på annullering fra støvsugeren.
				2 sekunder	Annulleringen af maskinregistreringen er fuldført. Den trådløse aktiveringslampe begynder at blinke blåt.
Andre	Rød			3 sekunder	Der er strøm til den trådløse enhed, og den trådløse aktiveringsfunktion starter.
	Slukket		-	-	Den trådløse aktivering af støvsugeren er stoppet.

## Annullerer maskinregistrering for støvsugeren

Benyt følgende fremgangsmåde ved annullering af maskinregistreringen for støvsugeren.

1. Sæt batterierne i støvsugeren og maskinen.

2. Sæt standby-kontakten på støvsugeren til "AUTO".

► **Fig.44:** 1. Standby-kontakt

3. Tryk på den trådløse aktiveringsknap på støvsugeren i 6 sekunder. Den trådløse aktiveringslampe blinker grønt og bliver derefter rød. Tryk derefter på den trådløse aktiveringsknap på maskinen på samme måde.

► **Fig.45:** 1. Trådløs aktiveringsknap 2. Trådløs aktiveringslampe

Hvis annulleringen gennemføres korrekt, lyser de trådløse aktiveringslamper rødt i 2 sekunder og begynder at blinke blåt.

**BEMÆRK:** De trådløse aktiveringslamper holder op med at blinke rødt efter 20 sekunder. Tryk på den trådløse aktiveringsknap på maskinen, når den trådløse aktiveringslampe på støvsugeren blinker. Hvis den trådløse aktiveringslampe ikke blinker rødt, skal du trykke kortvarigt på den trådløse aktiveringsknap og holde den nede igen.

## Fejlfinding i forbindelse med den trådløse aktiveringsfunktion

Udfør selv en inspektion, inden De anmoder om reparation. Hvis De opdager et problem, som ikke er forklaret i brugsanvisningen, må De ikke forsøge at adskille maskinen. Rådfør Dem i stedet med et autoriseret Makita Servicecenter, og brug altid originale Makita udskiftningsdele til reparationer.

Unormal tilstand	Sandsynlig årsag (fejl)	Afhjælpning
Den trådløse aktiveringslampe tændes/blinker ikke.	Den trådløse enhed er ikke monteret på maskinen. Den trådløse enhed er ikke monteret korrekt på maskinen.	Monter den trådløse enhed korrekt.
	Terminalen på den trådløse enhed og/eller åbningen er snavset.	Aftør forsigtigt støv og snavs på terminalen på den trådløse enhed, og rengør åbningen.
	Der er ikke trykket på den trådløse aktiveringsknap på maskinen.	Tryk kortvarigt på den trådløse aktiveringsknap på maskinen.
	Standby-kontakten på støvsugeren er ikke indstillet til "AUTO".	Sæt standby-kontakten på støvsugeren til "AUTO".
	Ingen strømforsyning	Tilfør strøm til maskinen og støvsugeren.
Kan ikke afslutte maskinregistrering/annullering af maskinregistrering korrekt.	Den trådløse enhed er ikke monteret på maskinen. Den trådløse enhed er ikke monteret korrekt på maskinen.	Monter den trådløse enhed korrekt.
	Terminalen på den trådløse enhed og/eller åbningen er snavset.	Aftør forsigtigt støv og snavs på terminalen på den trådløse enhed, og rengør åbningen.
	Standby-kontakten på støvsugeren er ikke indstillet til "AUTO".	Sæt standby-kontakten på støvsugeren til "AUTO".
	Ingen strømforsyning	Tilfør strøm til maskinen og støvsugeren.
	Forkert betjening	Tryk kortvarigt på den trådløse aktiveringsknap, og udfør procedurene for maskinregistrering/annullering igen.
	Maskinen og støvsugeren er ikke i nærheden af hinanden (uden for transmissionsafstand).	Flyt maskinen og støvsugeren tættere på hinanden. Den maksimale transmissionsafstand er cirka 10 m, men kan variere afhængigt af forholdene.
	Før du afslutter registreringen/annulleringen af maskinen; - er kontakten på maskinen tændt eller; - er tænd/sluk-knappen på støvsugeren tændt.	Tryk kortvarigt på den trådløse aktiveringsknap, og udfør procedurene for maskinregistrering/annullering igen.
	Maskinregistreringsprocedurene på maskinen eller støvsugeren er ikke fuldført.	Gennemfør maskinregistreringsprocedurene både på maskinen og støvsugeren på samme tid.
	Radiointerferens fra andre apparater, der udsender højintens radiobølger.	Hold maskinen og støvsugeren væk fra apparater som f.eks. Wi-Fi-enheder og mikrobølgeovne.
Støvsugeren kører ikke, når kontakten på maskinen betjenes.	Den trådløse enhed er ikke monteret på maskinen. Den trådløse enhed er ikke monteret korrekt på maskinen.	Monter den trådløse enhed korrekt.
	Terminalen på den trådløse enhed og/eller åbningen er snavset.	Aftør forsigtigt støv og snavs på terminalen på den trådløse enhed, og rengør åbningen.
	Der er ikke trykket på den trådløse aktiveringsknap på maskinen.	Tryk kortvarigt på den trådløse aktiveringsknap, og kontroller, at den trådløse aktiveringslampe blinker blåt.
	Standby-kontakten på støvsugeren er ikke indstillet til "AUTO".	Sæt standby-kontakten på støvsugeren til "AUTO".
	Der er registreret mere end 10 maskiner til støvsugeren.	Udfør maskinregistreringen igen. Hvis der er registreret mere end 10 maskiner til støvsugeren, bliver den maskine, der blev registreret tidligst, automatisk annulleret.
	Støvsugeren har slettet alle maskinregistreringer.	Udfør maskinregistreringen igen.
	Ingen strømforsyning	Tilfør strøm til maskinen og støvsugeren.
	Maskinen og støvsugeren er ikke i nærheden af hinanden (uden for transmissionsafstand).	Flyt maskinen og støvsugeren tættere på hinanden. Den maksimale transmissionsafstand er cirka 10 m, men kan variere afhængigt af forholdene.
	Radiointerferens fra andre apparater, der udsender højintens radiobølger.	Hold maskinen og støvsugeren væk fra apparater som f.eks. Wi-Fi-enheder og mikrobølgeovne.
Støvsugeren kører, mens maskinen ikke er i drift.	Andre brugere anvender den trådløse aktivering af støvsugeren med deres maskiner.	Deaktiver den trådløse aktiveringsknap på de andre maskiner, eller annuller maskinregistreringen af de andre maskiner.

## VEDLIGEHOJDELSE

**⚠FORSIGTIG:** Vær altid sikker på, at værktøjet er slukket, og at akkuen er taget ud, inden De begynder at udføre inspektion eller vedligeholdelse.

**⚠FORSIGTIG:** Rengør den øverste og nederste beskyttelsesskærm for at sikre, at der ikke er ophobet noget savsmuld, som muligvis kan hindre funktionen af det nederste afskærmningssystem. Et beskidt afskærmningssystem kan begrænse den korrekte funktion, hvilket kan resultere i alvorlig personskade. Den mest effektive måde at gøre dette på er at rengøre med trykluft. Hvis støvet blæses ud af beskyttelsesskærmene, skal du sørge for at anvende korrekt øjen- og åndedrætsbeskyttelse.

**⚠FORSIGTIG:** Aftør savsmuldet fra maskinen efter hver brug. Fint savsmuld kan komme ind i maskinen og medføre fejlfunktion eller brand.

**BEMÆRKNING:** Anvend aldrig benzin, rensebenzin, fortynder, alkohol og lignende. Det kan medføre misfarvning, deformation eller revner.

For at opretholde produktets SIKKERHED og PALIDELIGHED må reparation, vedligeholdelse eller justering kun udføres af et autoriseret Makita servicecenter eller fabrikksservicecenter med anvendelse af Makita reservedele.

## Justering af nøjagtigheden af 0°-snit eller 45°-snit

**BEMÆRKNING:** Undlad at aktivere håndtagene til -1° skråsnitsvinkel ved justering af nøjagtigheden af 0° snit.

**BEMÆRKNING:** Undlad at aktivere den positive stopper til 22,5° eller 60° skråsnitsvinkel ved justering af nøjagtigheden af 45° snit.

Denne justering er foretaget fra fabrikken. Men hvis justeringen er forkert, kan du justere den ved at benytte følgende fremgangsmåde.

1. Løsn spændeskruerne foran og bag på maskinen, så skråsnitsvinklen kan ændres. Indstil den positive stopper til positionen for 45° skråsnitsvinkel, hvis du vil justere nøjagtigheden af 45°-snit.

► Fig.46: 1. Spændeskruer 2. Positiv stopper

2. Placer grundpladen i en ret vinkel eller 45° med rundsavsklingen ved hjælp af en trekantlineal ved at dreje justeringsskruen med en unbrakonøgle. Du kan også bruge en firkantlineal til at justere 0°-vinklen.

► Fig.47: 1. Trekantlineal

► Fig.48: 1. Justeringsskruer til 0°-vinkel  
2. Justeringsskruer til 45°-vinkel

3. Stram spændeskruerne, og foretag derefter et testsnit for at kontrollere, om den ønskede vinkel er indstillet.

## Justering af dybdeguiden

Hvis grundpladen ikke glider jævnt op eller ned, er dybdeguiden muligvis blevet vipet. Du kan justere dybdeguiden på følgende måde:

1. Placer grundpladen i en ret vinkel og indstil skæredybden til den største dybde.
2. Løsn justeringsskruerne til dybdestyret.
3. Dybdeguiden justerer automatisk dens position.
4. Stram justeringsskruerne til dybdeguiden.

► Fig.49: 1. Justeringsskruer til dybdeguiden

## Justering af parallelitet

**⚠FORSIGTIG:** Hold parallelløringen nøjagtig. Ellers kan rundsavsklingen skære sig ned i styreskinne, og den beskadigede styreskinne kan forårsage personskade.

Denne justering er foretaget fra fabrikken. Men hvis justeringen er forkert, kan du justere den ved at benytte følgende fremgangsmåde.

1. Indstil maskinen til den maksimale skæredybde.
2. Kontroller, at alle håndtag og skruer er strammet.
3. Løsn skruerne vist på figuren.
4. Åbn den nederste beskyttelsesskærm, og flyt samtidig bagsiden af grundpladen, så afstandene A og B bliver de samme.

► Fig.50: 1. Skruer 2. Grundplade

5. Stram skruerne, og foretag et testsnit for at kontrollere paralleliteten.

## EKSTRAUDSTYR

**⚠FORSIGTIG:** Det følgende tilbehør og ekstraudstyr er anbefalet til brug med Deres Makita maskine, der er beskrevet i denne brugsanvisning. Anvendelse af andet tilbehør eller ekstraudstyr kan udgøre en risiko for personskade. Anvend kun tilbehør og ekstraudstyr til det beskrevne formål.

Hvis De behøver hjælp ved valg af tilbehør eller ønsker yderligere informationer, bedes De kontakte Deres lokale Makita servicecenter.

- Rundsavsklinge
- Undergrundplade
- Styreskinne
- Skråstyr
- Spænde
- Ark
- Gummiark
- Positionsark
- Unbrakonøgle
- Forreste manchete 24
- Trådløs enhed
- Original Makita-akku og oplader

**BEMÆRK:** Nogle ting på denne liste kan være inkluderet i værktøjssækket som standardtilbehør. Det kan være forskellige fra land til land.

## SPECIFIKĀCIJAS

Modelis:		HS011G		
Asmens diametrs		255 mm	260 mm	270 mm
Maks. zāģēšanas dziļums	0° leņķī	94 mm	97 mm	101 mm
	45° slīpumā	65 mm	68 mm	71 mm
	60° slīpumā	45 mm	48 mm	51 mm
Ātrums bez slodzes		3 500 min <sup>-1</sup>		
Kopējais garums		453 mm		
Nominālais spriegums		Līdzstrāva 36 V - 40 V maks.		
Neto svars		5,5 - 6,7 kg		

- Nepārtrauktās izpētes un izstrādes programmas dēļ šeit uzrādītās specifikācijas var tikt mainītas bez brīdinājuma.
- Specifikācijas un akumulatora kasetne var atšķirties dažādās valstīs.
- Svārs var būt atšķirīgs atkarībā no papildierīces(-ēm), tostarp akumulatora kasetnes. Tabulā ir attēlota vieglākā un smagākā kombinācija atbilstoši EPTA procedūrai 01/2014.

### Piemērotā akumulatora kasetne un lādētājs

Akumulatora kasetne	BL4020 / BL4025 / BL4040 / BL4050F* / BL4080F* *: ieteicamais akumulators
Lādētājs	DC40RA / DC40RB / DC40RC

- Daži no iepriekš norādītajiem lādētājiem un akumulatora kasetnēm var nebūt pieejami atkarībā no jūsu mītnes reģiona.

**⚠BRĪDINĀJUMS:** Izmantojiet vienīgi iepriekš norādītās akumulatora kasetnes un lādētājus. Cita tipa akumulatora kasetņu un lādētāju izmantošana var radīt traumu un/vai aizdegšanās risku.

### Paredzētā lietošana

Šis darbarīks ir paredzēts taisnvirziena un šķērsvirziena zāģēšanai gareniski un slīpvirziena zāģēšanai ar leņķiem, cieši saskaroties ar apstrādājamo materiālu.

### Trokšņa līmenis

Tipiskais A svērtais trokšņa līmenis noteikts saskaņā ar EN62841-2-5:

Skaņas spiediena līmeni ( $L_{pA}$ ): 93 dB (A)

Skaņas jaudas līmeni ( $L_{WA}$ ): 104 dB (A)

Mainīgums (K): 3 dB (A)

**PIEZĪME:** Paziņotā trokšņa emisijas vērtība noteikta atbilstoši standarta pārbaudes metodei, un to var izmantot, lai salīdzinātu vienu darbarīku ar citu.

**PIEZĪME:** Paziņoto trokšņa emisijas vērtību arī var izmantot iedarbības sākotnējā novērtējumā.

**⚠BRĪDINĀJUMS:** Lietojiet ausu aizsargus.

**⚠BRĪDINĀJUMS:** Trokšņa emisija patiesos darba apstākļos var atšķirties no paziņotās vērtības atkarībā no darbarīka izmantošanas veida un jo īpaši atkarībā no apstrādājamā materiāla veida.

**⚠BRĪDINĀJUMS:** Lai aizsargātu lietotāju, nosakiet drošības pasākumus, kas pamatoti ar iedarbību reālos darba apstākļos (ņemot vērā visus ekspluatācijas cikla posmus, piemēram, laiku, kamēr darbarīks ir izslēgts un kad darbojas tukšgaitā, kā arī palaišanas laiku).

### Vibrācija

Vibrācijas kopējā vērtība (trīsasu vektora summa) noteikta atbilstoši EN62841-2-5:

Darba režīms: koksnes zāģēšana

Vibrācijas izmēri ( $a_{h, w}$ ): 2,5 m/s<sup>2</sup> vai mazāk

Mainīgums (K): 1,5 m/s<sup>2</sup>

**PIEZĪME:** Paziņotā kopējā vibrācijas vērtība noteikta atbilstoši standarta pārbaudes metodei, un to var izmantot, lai salīdzinātu vienu darbarīku ar citu.

**PIEZĪME:** Paziņoto kopējo vibrācijas vērtību arī var izmantot iedarbības sākotnējā novērtējumā.

**▲BRĪDINĀJUMS:** Vibrācijas emisija patiesos darba apstākļos var atšķirties no paziņotās vērtības atkarībā no darbarīka izmantošanas veida un jo īpaši atkarībā no apstrādājamā materiāla veida.

**▲BRĪDINĀJUMS:** Lai aizsargātu lietotāju, nosakiet drošības pasākumus, kas pamatoti ar iedarbību reālos darba apstākļos (ņemot vērā visus ekspluatācijas cikla posmus, piemēram, laiku, kamēr darbarīks ir izslēgts un kad darbojas tukšgaitā, kā arī palaišanas laiku).

## EK atbilstības deklarācija

### Tikai Eiropas valstīm

EK atbilstības deklarācija šajā lietošanas rokasgrāmātā ir iekļauta kā A pielikums.

## DROŠĪBAS BRĪDINĀJUMI

### Vispārīgi elektrisko darbarīku drošības brīdinājumi

**▲BRĪDINĀJUMS:** Izlasiet visus drošības brīdinājumus, instrukcijas, apskatiet ilustrācijas un tehniskos datus, kas iekļauti mehānizētā darbarīka komplektācijā. Ja netiek ievēroti visi tālāk minētie noteikumi, var tikt izraisīta elektrotrauma, notikt aizdegšanās un/vai rasties smagas traumas.

## Glabājiet visus brīdinājumus un norādījumus, lai varētu tajos ieskatīties turpmāk.

Termins „elektrisks darbarīks” brīdinājumus attiecas uz tādu elektrisko darbarīku, ko darbina ar elektrību (ar vadu), vai tādu, ko darbina ar akumulatoru (bez vada).

## Drošības brīdinājumi par bezvadu ripzāģa lietošanu

### Zāģēšanas procedūras

- ▲BĪSTAMI:** Netuviniet rokas griešanas zonai un asmenim. Otru roku turiet uz palīgrocķura vai motora korpusa. Ja turat zāģi ar abām rokām, asmens tās nevar sagriezt.
- Nesniedzieties zem apstrādājamā materiāla.** Aizsargs neaizsargā no asmens zem apstrādājamā materiāla.
- Noregulējiet griešanas dziļumu atbilstoši apstrādājamā materiāla biezumam.** Zem apstrādājamā materiāla jābūt redzamam nedaudz mazāk nekā veselam zāģa zobam.
- Griežot apstrādājamo materiālu, nekad neturiet to rokās vai pār kāju.** Apstrādājamo materiālu nostipriniet uz stabilas platformas. Materiālu ir svarīgi pareizi nostiprināt, lai mazinātu apdraudējumu ķermenim, novērstu asmens iekļīšanās vai kontroles zuduma risku.

► Att.1

- Ja, veicot darbību, griezējinstrumentu var pieskarties slēptam vadam, mehānizēto darbarīku turiet pie izolētajām satveršanas virsmām.** Saskaņoties ar vadu, kurā ir spriegums, mehānizētā darbarīka ārējās metāla virsmas var vadīt spriegumu un operators saņems strāvas triecienu.
- Zāģējot gareniski, vienmēr izmantojiet garenzāģēšanas ierobežotāju vai aizsargu ar taisnām malām.** Tas uzlabo zāģēšanas precizitāti un mazina asmens iekļīšanās iespēju.
- Vienmēr izmantojiet asmeņu ar pareizā izmēra un formas (dimanta vai apaļas) pievienošanas atverēm.** Asmeņi, kas neatbilst zāģa uzstādīšanas sastāvdaļām, darbosies nepareizi, izraisot kontroles zudumu.
- Nekādā gadījumā nelietojiet bojātas vai neatbilstošas asmens starplikas vai skrūves.** Asmens paplāksnes un skrūves ir speciāli paredzētas konkrētajam zāģim, lai sniegtu optimālu darba izpildi un drošību.

### Atsitienu iemesli un ar to saistīti brīdinājumi

- atsitiens ir pēkšņa kustība pēc zāģa asmens iesprūšanas, iekļīšanās vai nepareizas novietošanas, liekot zāģim nekontrolēti pacelties un izvīzīties no apstrādājamā materiāla operatora virzienā;
  - kad asmens cieši iesprūst vai iekļījas starp saukļaujošos iezāģējumu, asmens apstājas, un dzinēja kustība liek ierīcei strauji virzīties atpakaļ operatora virzienā;
  - ja asmeni iezāģējumā saspiež vai nepareizi novieto, zobi asmens aizmugurējā malā var ieurbties koka virsmā, liekot asmenim izvīzīties no iezāģējuma un atlēkt atpakaļ operatora virzienā.
- Atsitiens rodas zāģa nepareizas lietošanas un/vai nepareizas darbības vai apstākļu rezultātā, un no tā var izvairīties, veicot piemērotus drošības pasākumus, kā tālāk norādīts.

- Ar abām rokām spēcīgi turiet zāģi, rokas novietojot tā, lai spētu pretoties atsitienu spēkam.** Turiet asmeni vienā ķermeņa pusē, bet neturiet vienā līnijā ar ķermeņa vidusdaļu. Atsitiens var likt zāģim atlēkt atpakaļ, taču atsitienu spēku operators var kontrolēt, ja veic piemērotus drošības pasākumus.
- Ja asmens iekļījas vai kāda iemesla dēļ neļauj pabeigt zāģēšanu, atlaidiet mēlīti un nekustinot turiet zāģi materiālā, kamēr asmens pilnībā apstājas.** Nekad neņemiet zāģi ārā no materiāla un nevīziet to atpakaļ, ja asmens kustas, jo tā var izraisīt atsitienu. Pārbaudiet un koriģējiet, lai novērstu asmens iekļīšanās cēloņus.
- Atsākot zāģa darbību apstrādājamajā materiālā, novietojiet zāģa asmeni iezāģējuma centrā tā, lai zāģa zobi nesaskaras ar materiālu.** Ja zāģa asmens ir iekļījies, tas var palēkties vai atsīsties no apstrādājamā materiāla, kad zāģa darbība tiek atsākta.
- Atbalstiet lielus gabalus, lai samazinātu asmens iesprūšanu vai atsitienu.** Lielī gabali bieži vien zem sava svara ieliecas. Atbalsti jānovieto abās pusēs zem gabala, blakus griezumam līnijai un blakus gabala malai.

► Att.2

► Att.3

5. **Neizmantojiet neasus vai bojātus asmeņus.** Neuzasināts vai nepareizi uzstādīts asmens veido šauru iezāgējumu, kas rada pārmērīgu berzi, asmens ieķīlēšanos vai atsitieni.
  6. **Pirms sākt zāgēt pārliecinieties, vai asmens dziļuma un slīpuma regulēšanas sviras ir ciešas un nostiprinātas.** Ja noregulētais asmens griešanas laikā pārvietojas, tas var ieķīlēties un izraisīt atsitieni.
  7. **Īpaši uzmanieties, zāgējot jau esošās sienās vai citās aizsegtās vietās.** Caurejošais asmens var ietriekties priekšmetos, kas var izraisīt atsitieni.
  8. **VIENMĒR stingri turiet darbarīku ar abām rokām. NEKAD nenovietojiet savu galvu, kāju vai jebkuru savu ķermeņa daļu zem darbarīka pamatnes vai aiz zāga, īpaši, kad zāgējat šķēr-sām.** Ja ir atsitieni, zāģis var atlēkt atpakaļ virs jūsu rokas, radot smagu traumu.
- **Att.4**
9. **Nekad nespiediet zāģi. Virziet zāģi uz priekšu tadā ātrumā, lai asmens zāgētu bez palēnināšanās.** Ja spēcīgi spiedīsiet zāģi, zāgējumi būs nevienmērīgi, neprecīzi un radīsies atsitiena risks.

#### Aizsarga funkcionēšana

1. **Pirms katras lietošanas reizes pārbaudiet, vai apakšējais aizsargs aizveras pareizi. Nelietojiet zāģi, ja apakšējais aizsargs nevirzās brīvi un nekavējoties neaizveras. Nekad nepiestipriniet un nepiesieniet apakšējo aizsargu atvērta stāvoklī.** Ja zāģis nejauši nokrīt, apakšējais aizsargs var salocīties. Paceliet apakšējo aizsargu ar ievilkšanas rokturi un pārliecinieties, ka tas virzās brīvi un nepieskaras asmenim vai citai daļai visos griezuma leņķos un dziļumos.
  2. **Pārbaudiet apakšējā aizsarga atsperes darbību. Ja aizsargs un atspere nedarbojas pareizi, tie pirms lietošanas jāsalabo.** Apakšējais aizsargs var darboties lēni bojātu daļu, sveķu nosēdumu vai uzkrājušos grūžu dēļ.
  3. **Apakšējais aizsargs jāizvelk manuāli tikai īpašas zāgēšanas nolūkā, piemēram, „iezāgējumu” un „kombinētu zāgējumu” gadījumā.** Paceliet apakšējo aizsargu ar ievilkšanas rokturi un, tiklīdz asmens nokļūst materiālā, atļaidiet apakšējo aizsargu. Visu citu zāgēšanas darbu gadījumā apakšējais aizsargam jādarbojas automātiski.
  4. **Pirms novietot zāģi uz sola vai grīdas, vienmēr pārbaudiet, vai apakšējais aizsargs nosedz asmeni.** Neaizsargāts asmens, kas kustas pēc inerces, virzīs zāģi atpakaļ, sagriežot visu, kas ir tā ceļā. Atcerieties, ka pēc slēdža atlaišanas asmenim nepieciešams laiks, lai apstātos.
  5. **Lai pārbaudītu apakšējo aizsargu, atveriet to ar roku, tad atļaidiet un novērojiet, kā tas aizveras. Pārbaudiet arī, vai ievilkšanas rokturis nepieskaras darbarīka korpusam.** Neaizsegts asmens ir ĻOTI BĪSTAMS un var radīt smagas traumas.
- Papildu drošības brīdinājumi**
1. **Ievērojiet sevišķu piesardzību, zāgējot mitru koksni, ar spiedienu apstrādātu zāgmateriālu vai zarus.** Noregulējiet zāgēšanas ātrumu tā, lai darbarīks vienmērīgi palielinātu ātrumu, nesamazinot asmens ātrumu un nepieļaujot asmens malu pārkaršanu.

#### ► Att.5

5. **Pirms nolaist darbarīku, pabeidzot zāgēšanu, pārliecinieties, ka apakšējais aizsargs ir aizvēries un asmens ir pilnībā apstājies.**
  6. **Nekad nezāgējiet, ja ripzāģis skrūvspilēs iestiprināts otrādi.** Tas ir ārkārtīgi bīstami un var izraisīt smagus negadījumus.
- **Att.6**

7. **Daži materiāli satur ķīmiskas vielas, kas var būt toksiskas.** Izvairieties no putekļu ieelpošanas un to nokļūšanas uz ādas. Ievērojiet materiāla piegādātāja drošības datus.
8. **Nemēģiniet apstādīnāt asmeņus, no sāniem spiežot uz zāga asmens.**
9. **Neizmantojiet abrazīvās ripas.**
10. **Izmantojiet tikai tāda diametra zāga asmeņus, kas ir norādīts uz darbarīka vai rokasgrāmatā.** Izmantojot nepareiza izmēra asmeni, var būt traucēta asmens pareiza aizsardzība vai aizsarga darbība, kas var izraisīt nopietnus ievainojumus.
11. **Uzturiet asmeni asu un tīru.** Ja asmeņiem pielipuši sveķi un koka darva, zāga darbība kļūst lēnāka un atsitiena risks palielinās. Rūpējieties, lai asmens būtu tīrs, vispirms to noņemot nost no darbarīka, tad notīrot ar sveķu un darvas tīrītāju, karstu ūdeni vai petroleju. Nekad neizmantojiet benzīnu.
12. **Lietojot darbarīku, izmantojiet putekļu masku un ausu aizsargus.**
13. **Vienmēr izmantojiet zāga asmeni, kas paredzēts materiālam, ko griezīsiet.**
14. **Izmantojiet tikai tādus zāga asmeņus, kas ir marķēti ar ātrumu, kas ir tāds pats vai lielāks kā uz darbarīka norādītais ātrums.**
15. **(Tikai Eiropas valstīm) Vienmēr izmantojiet asmeni, kas atbilst EN847-1 standartam.**
16. **Novietojiet darbarīku un detaļas uz līdzenas un stabilas virsmas.** Citādi darbarīks un detaļas var nokrist un izraisīt traumu.

## SAGLABĀJIET ŠOS NORĀDĪJUMUS.

**▲BRĪDINĀJUMS:** NEPIEĻAUJIET to, ka labu iemaņu vai izstrādājuma labas pārzināšanas (darbarīku atkārtoti ekspluatējot) rezultātā vairs stingri neievērojāt šī izstrādājuma drošības noteikumus. NEPAREIZI LIETOJOT darbarīku vai neievērojot šajā instrukcijā rokasgrāmatā minētos drošības noteikumus, var tikt gūtas smagas traumas.

## Svarīgi drošības norādījumi par akumulatora kasetni

1. Pirms akumulatora lietošanas izlasiet visus norādījumus un brīdinājumus, kuri attiecas uz (1) akumulatora lādētāju, (2) akumulatoru un (3) ierīci, kurā tiek izmantots akumulators.
2. Akumulatora kasetni nedrīkst ne pārveidot, ne izjaukt. Citādi var tikt izraisīta aizdegšanās, pārmērīgs karstums vai sprādziens.
3. Ja akumulatora darbības laiks kļuva ievērojami īsāks, nekavējoties pārtrauciet to izmantot.
4. Ja elektrolīts nonāk acīs, izskalojiet tās ar tīru ūdens un nekavējoties griežieties pie ārsta. Tas var izraisīt redzes zaudēšanu.
5. Neradiet īssavienojumu akumulatora kasetnē:
  - (1) Nepieskarieties spaiļēm ar elektrību vadošiem materiāliem.
  - (2) Neuzglabājiēt akumulatoru kasetni kopā ar citiem metāla priekšmetiem, tādiem kā naglas, monētas u. c.
  - (3) Nepakļaujiēt akumulatora kasetni ūdens vai lietus iedarbībai.Akumulatora īssavienojums var radīt spēcīgu strāvas plūsmu, pārkaršanu, uzliesmojumu un pat sabojāt akumulatoru.
6. Neglabājiēt un neizmantojiēt darbarīku un akumulatora kasetni vietās, kur temperatūra var sasniegt vai pārsniegt 50 °C (122 °F).
7. Nedezinīet akumulatora kasetni, pat ja tā ir stipri bojāta vai pilnībā noliegota. Akumulatora kasetne ugunī var eksplodēt.
8. Akumulatora kasetni nedrīkst naglot, griezt, saspīest, mest vai nomest, kā arī pa to nedrīkst sist ar cietu priekšmetu. Šādas darbības var izraisīt aizdegšanos, pārmērīgu karstumu vai sprādzienu.
9. Neizmantojiēt bojātu akumulatoru.
10. Uz izmantotajiem litija jonu akumulatoriem attiecas likumdošanas prasības par bīstamiem izstrādājumiem.

Komerציālā transportēšanā, ko veic, piemēram, trešās puses, transporta uzņēmumi, jāievēro uz iesaiņojuma un marķējuma norādītās īpašās prasības.

Lai izstrādājumu sagatavotu nosūtīšanai, jāsažinās ar bīstamo materiālu speciālistu. Ievērojiet arī citus attiecināmos valsts normatīvus.

Valējus kontaktus nosedziet ar līmlenti vai citādi pārklājiēt, bet akumulatoru iesaiņojiēt tā, lai sainītas nevarētu izkustēties.
11. Lai utilizētu akumulatora kasetni, izņemiet to no darbarīka un likvidējiēt drošā vietā. Ievērojiet vietējos noteikumus par akumulatora likvidēšanu.
12. Izmantojiēt šos akumulatorus tikai ar izstrādājumiem, kurus norādījis Makita. Ievijotiēt šos akumulatorus nesaderīgos izstrādājumos, var rasties ugunsgrēks, pārmērīgs karstums, tie var uzsprāgt vai no tiem var iztecēt elektrolīts.
13. Ja darbarīks netīks lietots ilgu laiku, no tā jāizņem akumulators.

14. Lietošanas laikā vai pēc tās akumulatora kasetne var uzkrāt siltumu, kas var izraisīt apdegumus vai zemas temperatūras apdegumus. Ar karstu akumulatora kasetni apejiēties rūpiēgi.
15. Nepieskarieties darbarīka izvadām uzreiz pēc lietošanas, jo tas var būt sakarsis un izraisīt apdegumus.
16. Neļaujiēt akumulatora kasetnes spaiļēs, atverēs un rievās uzkrāties skaidām, putekļiem vai netīrumiem. Tas var izraisīt sasilšanu, aizdegšanos, sprādzienu un instrumenta vai akumulatora kasetnes nepareizu darbību, un lietotājs var gūt apdegumus vai ievainojumus.
17. Neizmantojiēt akumulatora kasetni augstsprieguma līniju tuvumā, izņemot gadījumus, kad darbarīks ir piemērots lietošanai augstsprieguma līniju tuvumā. Citādi darbarīks vai akumulatora kasetne var sākt darboties nepareizi vai tikt sabojāti.
18. Glabājiēt akumulatoru bērniem nepieejamā vietā.

## SAGLABĀJIET ŠOS NORĀDĪJUMUS.

**⚠UZMANĪBU:** Lietojiēt tikai oriēinālos Makita akumulatorus. Ja lietojāt neoriēinālus Makita akumulatorus vai pārveidotus akumulatorus, tie var uzsprāgt un izraisīt aizdegšanos, traumas un materiālos zaudējumus. Tīks anulēta arī Makita darbarīka un lādētāja garantija.

## Ieteikumi akumulatora kalpošanas laika pagarināšanai

1. Uz lādējiēt akumulatora kasetni, pirms tā ir pilnībā izlādējusies. Vienmēr, kad ievērojāt, ka darbarīka darba jauda zudusi, apturiēt darbarīku un uz lādējiēt akumulatora kasetni.
2. Nekad neuz lādējiēt pilnībā uz lādētu akumulatora kasetni. Pārmērīga uz lādē saīsina akumulatora kalpošanas laiku.
3. Uz lādējiēt akumulatora kasetni istabas temperatūrā 10 °C - 40 °C. Karstai akumulatora kasetnei pirms uz lādē ļaujiēt atdzist.
4. Kad akumulatora kasetne netiek izmantota, izņemiet to no darbarīka vai lādētāja.
5. Uz lādējiēt litija jonu akumulatora kasetni, ja to ilgstoši nelietosiēt (vairāk nekā sešus mēnešus).

## Svarīgi drošības norādījumi par bezvadu ierīci

1. Bezvadu ierīci nedrīkst ne pārveidot, ne izjaukt.
2. Bezvadu ierīci glabājiēt maziem bērniem nepieejamā vietā. Ja kāds cilvēks nejauši norij kādu no detaļām, nekavējiēties jādodas pie ārsta.
3. Bezvadu ierīci lietojiēt tikai kopā ar Makita darbarīkiem.
4. Raugiet, lai bezvadu ierīce neatrastos lietū vai mitros apstākļos.
5. Bezvadu ierīci nelietojiēt vietās, kur temperatūra pārsniedz 50 °C.



6. **Bezvadu ierīci nelietojiet vietās, kur tuvumā atrodas medicīnas ierīces, piemēram, sirdsdrabības stimulatori.**
7. **Bezvadu ierīci nelietojiet vietās, kur tuvumā atrodas automātiskas ierīces.** Ja lietojat, tad automātisko ierīču darbībā var rasties traucējumi vai kļūdas.
8. **Neizmantojiet bezvadu ierīci vietā, kur ir augsta temperatūra vai var veidoties statiskā elektrība vai elektriskais troksnis.**
9. **Bezvadu ierīce var radīt elektromagnētiskos laukus (EML), bet tie nav lietotājam kaitīgi.**
10. **Bezvadu ierīce ir precīzs instruments. Uzmanieties, lai bezvadu ierīce nenokristu un nekur neietriektos.**
11. **Bezvadu ierīces izvadām nepieskarieties ar kailām rokām vai metāliskiem materiāliem.**
12. **Kad uzstādāt bezvadu ierīci, vienmēr izņemiet darbarīka akumulatoru.**
13. **Verot vaļā atveres pārsegu, izvairieties no vietās, kur atverē var iekļūt putekļi un ūdens. Atveres ieeju vienmēr turiet tīru.**
14. **Bezvadu ierīci vienmēr ievietojiet pareizajā virzienā.**
15. **Bezvadu ierīces bezvadu sistēmas aktivizēšanas pogu nespiediet pārāk stipri un/vai nespiediet pogu ar priekšmetu, kam ir asas malas.**
16. **Lietojot ierīci, vienmēr aizveriet atveres pārsegu.**
17. **Kamēr darbarīks ir pieslēgts pie strāvas, neatvienojiet bezvadu ierīci no atveres.** Ja atvienojat, var rasties traucējumi bezvadu ierīces darbībā.
18. **No bezvadu ierīces nenoplēšiet uzlīmi.**
19. **Uz bezvadu ierīces nelīmējiet nekādas uzlīmes.**
20. **Neatstājiet bezvadu ierīci vietā, kur var veidoties statiskā elektrība vai elektriskais troksnis.**
21. **Bezvadu ierīci neatstājiet vietās, kur varētu būt liels karstums, piemēram, automobilī, kas atstāts saulē.**
22. **Bezvadu ierīci neatstājiet putekļainā vai ar pulveri nokaisītā vietā vai vietā, kur var rasties kodīga gāze.**
23. **Pēkšņas temperatūras izmaiņas var radīt mitrumu uz ierīces. Bezvadu ierīci lietojiet tikai tad, kad mitrums pilnībā izžuvis.**
24. **Kad tīrāt bezvadu ierīci, uzmanīgi slaukiet to ar sausu, mīkstu drānu. Nelietojiet benzīnu, atšķaidītāju, vadītspējīgas smērvielas vai līdzīgas vielas.**
25. **Kad bezvadu ierīci noliekat glabāšanai, ielieciet to komplekta ietvarā vai nestatiskā konteinerā.**
26. **Darbarīka atverē ievietojiet tikai Makita bezvadu ierīci.**
27. **Neizmantojiet darbarīku, ja tā atveres pārsegs ir bojāts. Ūdens, putekļu un netīrumu iekļūšana atverē var radīt darbības traucējumus.**
28. **Bez nepieciešamības nevelciet un/vai negroziet atveres pārsegu.** Ja pārsegs atdalās no darbarīka, piestipriniet to.
29. **Ja atveres pārsegs ir pazaudēts vai bojāts, nomainiet to.**

## SAGLABĀJIET ŠOS NORĀDĪJUMUS.

## FUNKCIJU APRAKSTS

**⚠️UZMANĪBU:** Pirms darbarīka regulēšanas vai tā darbības pārbaudes vienmēr pārliecinieties, ka darbarīks ir izslēgts un akumulatora kasetne ir izņemta.

### Akumulatora kasetnes uzstādīšana un izņemšana

**⚠️UZMANĪBU:** Vienmēr pirms akumulatora kasetnes uzstādīšanas vai noņemšanas izslēdziet darbarīku.

**⚠️UZMANĪBU:** Uzstādot vai izņemot akumulatora kasetni, darbarīku un akumulatora kasetni turiet cieši. Ja darbarīku un akumulatora kasetni netur cieši, tie var izkrist no rokām un radīt bojājumus darbarīkam un akumulatora kasetnei, kā arī izraisīt ievainojumus.

- ▶ **Att.7:** 1. Sarkanās krāsas indikators 2. Poga 3. Akumulatora kasetne

Lai izņemtu akumulatora kasetni, izvelciet to no darbarīka, pārbīdot kasetnes priekšpusē esošo pogu.

Lai uzstādītu akumulatora kasetni, salāgojiet akumulatora kasetnes mēlīti ar rievu ietvarā un iebīdīdīt to vietā. Ievietojiet to līdz galam, līdz tā ar klikšķi nofiksējas. Ja redzams attēlā parādītais sarkanais krāsas indikators, tas nozīmē, ka tas nav pilnīgi nofiksēts.

**⚠️UZMANĪBU:** Vienmēr ievietojiet akumulatora kasetni tā, lai sarkanais indikators nebūtu redzams. Pretējā gadījumā tā var nejauci izkrist no darbarīka un izraisīt jums vai apkārtējiem traumas.

**⚠️UZMANĪBU:** Neievietojiet akumulatora kasetni ar spēku. Ja kasetne neslīd ietvarā viegli, tā nav pareizi ielikta.

### Darbarīka/akumulatora aizsardzības sistēma

Darbarīks ir aprīkots ar darbarīka/akumulatora aizsardzības sistēmu. Šī sistēma automātiski izslēdz jaudas padevi motoram, lai pagarinātu darbarīka un akumulatora kalpošanas laiku. Darbarīks automātiski pārstāj darboties ekspluatācijas laikā, ja darbarīku vai akumulatoru pakļaus kādam no šiem apstākļiem. Dažu apstākļu gadījumā izgaismojas indikatori.

#### Aizsardzība pret pārslodzi

Ja darbarīku/akumulatoru lieto tā, ka tas patērē pārlielā mērīti lielu strāvas daudzumu, darbarīks automātiski pārstāj darboties. Šādā gadījumā izslēdziet darbarīku un pārtrauciet darbību, kas izraisīja darbarīka pārslodzi. Pēc tam ieslēdziet darbarīku, lai atsāktu darbu.

#### Aizsardzība pret pārkaršanu

Kad darbarīks/akumulators ir pārkaršis, darbarīks automātiski pārstāj darboties. Šādā gadījumā pirms darbarīka atkārtotas ieslēgšanas ļaujiet tam atdzist.

**PIEZĪME:** Ja darbarīks ir pārkaršis, lampa mirgo.

## Aizsardzība pret akumulatora pārmērīgu izlādi

Kad akumulatora jauda ir zema, darbarīks automātiski pārstāj darboties. Ja darbarīks nedarbojas, pat ieslēdzot slēdžus, no darbarīka izņemiet akumulatoru un veiciet akumulatoram uzlādi.

## Aizsardzība pret citiem cēloņiem

Aizsardzības sistēma ir paredzēta arī pret citiem cēloņiem, kas varētu radīt darbarīka bojājumus, un nodrošina automātisku darbarīka apturēšanu. Ja darbarīka darbība ir īslaicīgi apstājusies vai tas pārstājis darboties, veiciet visas tālāk norādītās darbības, lai novērstu cēloņus.












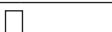





1. Izslēdziet un ieslēdziet darbarīku, lai to no jauna iedarbinātu.
2. Uzlādējiet akumulatoru(-s) vai nomainiet to(-s) ar uzlādētu(-iem) akumulatoru(-iem).
3. Ļaujiet darbarīkam un akumulatoram(-iem) atdzist.

Ja pēc aizsardzības sistēmas atjaunošanas nav uzlabojumu, sazinieties ar vietējo Makita tehniskās apkopes centru.

## Atlikušās akumulatora jaudas indikators

Nospiediet akumulatora kasetnes pārbaudes pogu, lai pārbaudītu akumulatora atlikušo uzlādes līmeni. Indikatori iedegsies uz dažām sekundēm.

► **Att.8:** 1. Indikatora lampas 2. Pārbaudes poga

Indikatora lampas			Atlikusī jauda
 Iededzies	 Izslēgts	 Mirgo	
			No 75% līdz 100%
			No 50% līdz 75%
			No 25% līdz 50%
			No 0% līdz 25%
			Uzlādējiet akumulatoru.
			Iespējama akumulatora kļūme.
			

**PIEZĪME:** Reālā jauda var nedaudz atšķirties no norādītās atkarībā no lietošanas apstākļiem un apkārtējās temperatūras.

**PIEZĪME:** Akumulatora aizsardzības sistēmas darbības laikā mirgo pirmais (kreisais malējais) indikators.

## Slēdža darbība

**▲BRĪDINĀJUMS:** Pirms akumulatora kasetnes uzstādīšanas darbarīkā vienmēr pārbaudiet, vai slēdža mēlīte darbojas pareizi un pēc atlaišanas atgriežas stāvoklī „OFF” (izslēgts).

**▲BRĪDINĀJUMS:** NEKAD neizauciet atbloķēšanas pogu, to neaplīmējiet un citādāk nepārveidojiet. Slēdzis ar izjauktu atbloķēšanas pogu var izraisīt neparedzētu darbību un radīt smagas traumas.

**▲BRĪDINĀJUMS:** NEKAD nelietojiet darbarīku, ja tas ieslēdzas tikai pēc slēdža mēlītes pavilkšanas un nav jānospiež atbloķēšanas poga. Slēdzis, ko nepieciešams labot, var izraisīt neparedzētu darbību un radīt nopietnus ievainojumus. PIRMS turpmākas ekspluatācijas nododiet darbarīku Makita apkopes centrā, lai to atbilstīgi saremontētu.

Lai slēdža mēlīti nevarētu pavilkt nejauši, darbarīks aprīkots ar bloķēšanas pogu. Lai iedarbinātu darbarīku, nospiediet atbloķēšanas pogu un pavelciet slēdža mēlīti. Lai apturētu darbarīku, atlaidiet slēdža mēlīti.

► **Att.9:** 1. Slēdža mēlīte 2. Atbloķēšanas poga

**IEVĒRĪBAI:** Nevelciet slēdža mēlīti ar spēku, neiespiežot atbloķēšanas pogu uz iekšu. Rezultātā var tikt sabojāts darbojums.

**▲UZMANĪBU:** Darbarīks sāk palēnināt ripzāģa asmens griešanos uzreiz pēc slēdža mēlītes atlaišanas. Turiet darbarīku stingri, lai reaģētu uz palēnināšanos, kad tiek atlaista slēdža mēlīte. Pēkšņa reaģēšanas var izraisīt darbarīka izlaišanu no rokas un radīt ievainojumus.

## Griezuma dziļuma regulēšana

**▲UZMANĪBU:** Pēc frēzēšanas dziļuma noregulēšanas vienmēr cieši pievelciet sviru.

Atlaidiet dziļuma vadīklas sviru un pamatni pārvietojiet uz augšu vai uz leju. Pamatni nostipriniet vēlamajā zāģēšanas dziļumā, pievelkot sviru.

Lai zāģēšana būtu tīrāka un drošāka, uzstādiat zāģēšanas dziļumu tā, lai ne vairāk kā viens asmens zobš būtu redzams zem apstrādājamā materiāla. Izmantojot pareizu zāģēšanas dziļumu, iespējams samazināt bīstamus ATSIETIENUS, kas var izraisīt ievainojumus.

► **Att.10:** 1. Svira

**IEVĒRĪBAI:** Ja pamatne laideni neslīd uz augšu un uz leju, iespējams, ka ir sasvērta dziļuma vadīkla. Šādā gadījumā noregulējiet dziļuma vadīklu (skatiet sadaļu par dziļuma vadīklas regulēšanu).

## Slīpā zāģēšana

**▲UZMANĪBU:** Pēc slīpā leņķa noregulēšanas vienmēr stingri pievelciet spēļuma skrūves.

Atlaidiet saspiedēja skrūves. Iestatiet vēlamo leņķi, attiecīgi noliecot, pēc tam cieši pievelciet saspiedējskrūves.

► **Att.11:** 1. Spēļuma skrūve

## Pozitīvais sprūds

Ierobežotājbalstu izmanto, kad ātri jāiestata vajadzīgais leņķis. Pagrieziet ierobežotājbalstu tā, lai tā bultiņa būtu vērsta pret vajadzīgo slīpuma leņķi (aptuveni 22,5°/45°/60°). Atbrīvojiet sviru un tad sasveriet darbarīka pamatni, līdz tā apstājas. Stāvoklis, kurā darbarīka pamatne apstājas, ir leņķis, ko iestatāt ar ierobežotājbalstu. Kad darbarīka pamatne ir šajā stāvoklī, pievelciet sviru.

► **Att.12:** 1. Pozitīvais sprūds

## -1° slīpleņķa zāģēšana

Lai veiktu -1° slīpleņķa zāģēšanu, atbrīvojiet saspiedējskrūves un spiediet sviras attēlā redzamās bultas virzienā. Pēc tam iestatiet -1° slīpleņķi un pievelciet saspiedējskrūves.

► **Att.13:** 1. Svira

## Mērķēšana

Lai zāģētu taisni, 0° stāvoklī uz pamatnes priekšējās daļas salāgojiet ar zāģēšanas līniju. Lai zāģētu 45° slīpumā, salāgojiet 45° pozīciju.

► **Att.14:** 1. Zāģēšanas līnija (0° stāvoklis)  
2. Zāģēšanas līnija (45° stāvoklis)

## Lampas iedegšana

**⚠UZMANĪBU:** Neskatieties gaismā, neļaujiet tās avotam iespidēt acis.

Lai ieslēgtu lampiņu, neiedarbinot darbarīku, pavelciet slēdža mēlīti, nepiespiežot atbloķēšanas pogu.

Lai ieslēgtu lampiņu, ja darbarīks darbojas, nospiediet un turiet atbloķēšanas pogu un pavelciet slēdža mēlīti. Apmēram 10 sekundes pēc slēdža mēlītes atlaišanas lampiņa izslēdzas.

► **Att.15:** 1. Lampiņa

**PIEZĪME:** Ar sausu lupatīņu notīriet netīrumus no lampas lēcas. Izvairieties saskrāpēt lampas lēcu, jo tādējādi tiek samazināts apgaismojums.

## Elektrobremze

Darbarīks ir aprīkots ar elektrisku asmens bremzi. Ja darbarīks regulāri neapstādina ripzāga asmeni uzreiz pēc slēdža mēlītes atlaišanas, nododiet darbarīku apkopei Makita apkopes centrā.

**⚠UZMANĪBU:** Asmens bremzes sistēma neaizstāj asmens aizsargu. **NEKAD NEIZMANTOJIET DARBARĪKU, JA NEDARBOJAS ASMENS AIZSARGS. VAR GŪT NOPIETNUS IEVAINOJUMUS.**

## Elektroniskā funkcija

Instrumenti, kuriem ir elektroniskā funkcija, ir viegli lietojami, jo tiem ir tālāk minētā(-ās) īpašība(-as).

### Laidenās palaišanas funkcija

Laidena palaišana, kas slāpē ieslēgšanas radiāto triecienu.

### Nemainīga ātruma uzturēšana

Ātruma elektroniskā vadība nemainīga ātruma nodrošināšanai. Nodrošina iespēju iegūt labi apstrādātu virsmu, jo apgriezīenu ātrums tiek saglabāts nemainīgs pat lielas slodzes apstākļos.

## MONTĀŽA

**⚠UZMANĪBU:** Pirms darbarīka regulēšanas vai apkopes vienmēr pārlicinieties, ka darbarīks ir izslēgts un akumulatora kasetne ir izņemta.

## Sešstūru uzgriežņu atslēgas uzglabāšana

Kad sešstūrveida uzgriežņu atslēga netiek lietota, glabājiet to, kā parādīts, lai atslēgu nepazaudētu.

► **Att.16:** 1. Sešstūru uzgriežņu atslēga

## Pamatnes pagarinātāja uzstādīšana

Uzstādiet pamatnes pagarinātāju un stingri pievelciet saspiedējskrūves, kā parādīts attēlā.

Vienmēr lietojiet darbarīku kopā ar pamatnes pagarinātāju, izņemot gadījumus, kad izmantojat virzošo sliedi.

► **Att.17:** 1. Saspiedējskrūve 2. Pamatnes pagarinātājs

## Ripzāga asmens uzstādīšana vai noņemšana

**⚠UZMANĪBU:** Pārbaudiet, vai ripzāga asmens ir uzstādīts tā, ka tā zobi vērsti augšup pret darbarīka priekšpusi.

**⚠UZMANĪBU:** Uzstādiet vai noņemiet ripzāga asmeni tikai ar Makita uzgriežņu atslēgu.

1. Atlaidiet dziļuma vadotnes sviru un pārvietojiet pamatni uz leju.

► **Att.18:** 1. Svira

2. Uzstādiet iekšējo atloku, gredzenu (atkarībā no valsts), ripzāga asmeni, ārējo atloku un seššķautņu bultskrūvi. Šajā reizē salāgojiet bultiņas virzienu uz asmens ar bultiņas virzienu uz darbarīka.

### Darbarīkam bez gredzena

► **Att.19:** 1. Seššķautņu bultskrūve 2. Ārējais atloks

3. Ripzāga asmens 4. Iekšējais atloks

5. Bultiņa uz ripzāga asmens 6. Bultiņa uz darbarīka

### Darbarīkam ar gredzenu

► **Att.20:** 1. Seššķautņu bultskrūve 2. Ārējais atloks

3. Ripzāga asmens 4. Gredzens 5. Iekšējais atloks

6. Bultiņa uz ripzāga asmens 7. Bultiņa uz darbarīka

3. Nospiediet vārpstas bloķētāju līdz galam, lai ripzāga asmens nevarētu griezties, un ar sešstūru uzgriežņatslēgu pievelciet seššķautņu bultskrūvi.

► **Att.21:** 1. Vārpstas bloķētājs 2. Sešstūru uzgriežņatslēga 3. Atslābiniet 4. Pievelciet

Lai noņemtu ripzāga asmeni, veiciet iepriekš aprakstīto uzstādīšanas procedūru apgrieztā secībā.

## Darbarīkam ar iekšējo atloku, kas paredzēts zāga asmenim, kura atvēruma diametrs nav 15,88 mm

Iekšējam atlokam vienā pusē ir noteikta diametra izcilnis, bet atloka otrā pusē izcilinim ir savādāks diametrs. Izvēlieties pareizo pusi, kurā izcilnis pilnībā atbilst zāga asmens atvērumam. Iekšējo atloku uz stiprinājuma ass nostipriniet tā, lai iekšējā atloka izcilņa pareizā puse būtu ārpusē, tad uzlieciet zāga asmeni un ārējo atloku.

- **Att.22:**
1. Stiprinājuma ass 2. Iekšējais atloks
  3. Ripzāga asmens 4. Ārējais atloks
  5. Sešstūru galvas skrūve

### **▲BRĪDINĀJUMS:** SEŠSTŪRU GALVAS SKRŪVI NOTEIKTI CIEŠI PIEVELCIET PULKSTEŅRĀDĪTĀJU KUSTĪBAS VIRZIENĀ.

Tāpat uzmanieties, lai nepievilktu skrūvi ar pārmērīgu spēku. Rokas noslīdēšana no sešstūru uzgriežņu atslēgas var radīt traumu.

**▲BRĪDINĀJUMS:** Pārbaudiet, vai iekšējā atloka izcilnis „a”, kas atrodas ārpusē, pilnībā atbilst zāga asmens atvērumam „a”. Ja asmeni uzstādīsiet uz nepareizās puses, var rasties bīstama vibrācija.

## Darbarīkam ar iekšējo atloku, kas paredzēts zāga asmenim ar atvēruma diametru 15,88 mm (dažādās valstīs atšķiras)

Uz stiprinājuma ass uzstādi iekšējo atloku ar tā padziļināto pusi uz āru, tad uzlieciet zāga asmeni (ja nepieciešams, ar piestiprinātu gredzenu), ārējo atloku un sešstūru galvas skrūvi.

### Darbarīkam bez gredzena

- **Att.23:**
1. Stiprinājuma ass 2. Iekšējais atloks
  3. Ripzāga asmens 4. Ārējais atloks
  5. Sešstūru galvas skrūve

### Darbarīkam ar gredzenu

- **Att.24:**
1. Stiprinājuma ass 2. Iekšējais atloks
  3. Ripzāga asmens 4. Ārējais atloks
  5. Sešstūru galvas skrūve 6. Gredzens

### **▲BRĪDINĀJUMS:** SEŠSTŪRU GALVAS SKRŪVI NOTEIKTI CIEŠI PIEVELCIET PULKSTEŅRĀDĪTĀJU KUSTĪBAS VIRZIENĀ.

Tāpat uzmanieties, lai nepievilktu skrūvi ar pārmērīgu spēku. Rokas noslīdēšana no sešstūru uzgriežņu atslēgas var radīt traumu.

**▲BRĪDINĀJUMS:** Ja asmens uzstādīšanai uz vārpstas nepieciešams gredzens, vienmēr pārbaudiet, vai starp iekšējo un ārējo atloku ir uzstādīts pareizais gredzens izmantojamā asmens vārpstas atverei. Nepareiza vārpstas atveres gredzena izmantošanas dēļ asmens var nebūt piestiprināts pareizi un tas var kustēties, radot spēcīgu vibrāciju, kas, savukārt, var izraisīt vadības zudumu darbības laikā un smagi traumēt.

## Asmens aizsarga tīrīšana

Nomainot ripzāga asmeni, noteikti notīriet arī uzkrājušās zāgu skaidas no augšējā un apakšējā asmens aizsarga, kā aprakstīts sadaļā „Apkope”. Šīs darbības nevar aizvietot apakšējā aizsarga darbības pārbaudi pirms katras ekspluatācijas reizes.

## Putekļsūcēja pievienošana

### Papildu piederumi

Ja vēlaties tīru zāgējumu, darbarīkam pievienojiet “Makita” putekļsūcēju. Putekļsūcēja šļūteni pievienojiet putekļsūcēja uzgalim, izmantojot priekšējās uznavas 24.

- **Att.25:**
1. Putekļsūcēja šļūtene 2. Priekšējās uznavas 24 3. Putekļu uzgalis

## Putekļsūcēja uzgaļa leņķa regulēšana

Putekļsūcēja uzgaļa leņķi var regulēt, pagriežot putekļsūcēja uzgali.

Ja darbarīku izmantojat, nepievienojot putekļsūcēju, pavērsiet putekļsūcēja uzgali uz leju, lai pasargātu operatoru no skaidām.

Ja darbarīku izmantojat ar pievienotu putekļsūcēju, pavērsiet putekļsūcēja uzgali uz augšu, lai putekļsūcēja šļūtene neieķertos apstrādājamajā materiālā vai vadsliedē.

- **Att.26:**
1. Putekļsūcēja uzgalis

## EKSPLUATĀCIJA

Šis darbarīks ir paredzēts tikai kokmateriālu zāgēšanai. Lai uzzinātu par zāgējamajam materiālam piemērotiem ripzāga asmeņiem, skatiet mūsu tīmekļa vietni vai sazinieties ar vietējo Makita izplatītāju.

Vienmēr lietojiet darbarīku kopā ar pamatnes pagarinātāju, izņemot gadījumus, kad izmantojat virzošo sliedi.

## Asmens aizsarga pārbaude

Izņemiet akumulatora kasetni.

Noregulējiet leņķa slīpumu uz 0°, manuāli pavelciet apakšējo aizsargu līdz beigu pozīcijai un tad atlaidiet to. Apakšējais aizsargs darbojas pareizi, ja:

- to bez aizķeršanās var atvilkt pozīcijā virs pamatnes;
- tas automātiski atgriežas sākuma pozīcijā un savienojas ar aizturi.

- **Att.27:**
1. Augšējais aizsargs 2. Apakšējais aizsargs 3. Pamatne 4. Aizturis 5. Atvērt 6. Aizvērt

Ja apakšējais aizsargs nedarbojas pareizi, pārbaudiet, vai apakšējā un augšējā aizsargā nav sakrājušās skaidas. Ja apakšējais aizsargs nedarbojas pareizi arī pēc skaidu iztīrīšanas, darbarīks ir jāpārbauda Makita apkopes centrā.

## Zāģēšana

**⚠ UZMANĪBU:** Zāģēšanas laikā valkājiet putekļu masku.

**⚠ UZMANĪBU:** Vienmēr saudzīgi virziet darbarīku uz priekšu taisnā līnijā. Ja darbarīku spēcīgi spiedīsīt vai grozīsīt, motors var pārkarst un iespējams radīt bīstamu atsitieni, kas var izraisīt smagas traumas.

**PIEZĪME:** Ja akumulatora kasetnes temperatūra ir zema, darbarīks var neizmantot pilnu akumulatora nominālo ietilpību. Tādā gadījumā izmantojiet darbarīku nelielām zāģēšanas darbībām, kamēr akumulatora kasetne uzsilst līdz istabas temperatūrai. Tad darbarīks varēs izmantot pilnu akumulatora ietilpību.

### ► Att.28

Turiet darbarīku cieši. Darbarīkam ir gan priekšējais, gan aizmugurējais rokturis. Darbarīka satveršanai izmantojiet abus. Ja abām rokām tur zāģi, ripzāga asmens nevar tajās iezāģēt. Pamatni uz apstrādājamā materiāla novietojiet tā, lai ripzāga asmens ar to nesaskartos. Tad ieslēdziet darbarīku un nogaidiet, līdz ripzāga asmens sasniedz pilnu ātrumu. Pēc tam darbarīku virziet pāri apstrādājamā materiāla virsmai, turot to līdzeni un vienmērīgi virzot uz priekšu, kamēr zāģēšana pabeigta. Lai zāģēšana būtu precīza, saglabājiet zāģēšanas līniju taisnu un virzīšanas ātrumu vienmērīgu. Ja zāģis nezāģē paredzētajā zāģēšanas līnijā, nemēģiniet darbarīku pagriezt vai ar spēku aizstumt atpakaļ uz zāģēšanas līniju. Šāda rīcība var saliekt ripzāga asmeni, izraisot bīstamu atsitieni un potenciāli bīstamu traumu. Atlaidiet slēdzi, nogaidiet, kamēr ripzāga asmens pārstāj darboties, tad izņemiet darbarīku no zāģējuma. Darbarīku ievietojiet jaunajā zāģējuma līnijā un sāciet zāģējumu no jauna. Centieties izvairīties no tāda zāģa stāvokļa, kad skaidas un koksnes putekļi lido virzienā uz operatoru. Lai netraumētu acis, izmantojiet acu aizsarglīdzekļus.

**PIEZĪME:** Veicot leņķveida griezumus u.c., dažreiz apakšējais aizsargs nekustas viegli. Tajā brīdī izmantojiet ievilkšanas sviru, lai paceltu apakšējo aizsargu sākuma griezumam un, tiklīdz asmens ieiet materiālā, atbrīvojiet ievilkšanas sviru

### ► Att.29: 1. Ievilkšanas svira

## Pamatnes pagarinātājs (vadotnes lineāls)

**⚠ UZMANĪBU:** Pirms lietošanas pārbaudiet, vai pamatnes pagarinātājs (vadotnes lineāls) ir droši nofikss pareizā pozīcijā. Nepareiza piestiprināšana var izraisīt bīstamu atsitieni.

Izmantojot pamatnes pagarinātāju kā vadotnes lineālu, varat veikt ļoti precīzus, taisnus zāģējumus. Atbrīvojiet saspiedējskrūves un izbīdiet pamatnes pagarinātāju no darbarīka, pēc tam ievietojiet to ar apakšpusi augšup.

### ► Att.30: 1. Saspiedējskrūve 2. Pamatnes pagarinātājs

Vienkārši bīdiet pamatnes pagarinātāja ierobežotāju cieši klāt apstrādājamā materiāla malai un nostipriniet to paredzētajā vietā ar saspiedējskrūvi. Tādējādi iespējams atkārtoti veikt vienāda platumā zāģējumus.

### ► Att.31: 1. Saspiedējskrūve 2. Pamatnes pagarinātājs

## Vadsliede

### Papildu piederumi

**⚠ UZMANĪBU:** Pirms darbarīka regulēšanas vai apkopes vienmēr pārlicinieties, ka darbarīks ir izslēgts un akumulatora kasetne ir izņemta.

**IEVĒRĪBAI:** Kad izmantojat vadsliedi, noņemiet pamatnes pagarinātāju.

Novietojiet darbarīku vadsliedes aizmugurējā galā. Pagrieziet divas regulēšanas skrūves uz darbarīka pamatnes, lai darbarīks slidētu viegli un negrabot. Stingri turiet darbarīka priekšējo un aizmugurējo rokturi. Ievietojiet akumulatora kasetni. Ieslēdziet darbarīku un vienā piegājienā zāģējiet līdz galam gar pretskabargu sargu. Tagad pretskabargu sarga mala ir pielīdzināta zāģēšanas malai.

### ► Att.32: 1. Regulēšanas skrūves

Veicot slīpenķa zāģēšanu ar vadsliedi, izmantojiet slīdes sviru, lai novērstu darbarīka apgāšanos. Pārvietojiet slīdes sviru uz darbarīka pamatnes bultas virzienā, lai tā iekeras vadsliedes gropē zāģējuma apakšpusē.

### ► Att.33: 1. Slīdes svira

## BEZVADU SISTĒMAS AKTIVIZĒŠANAS FUNKCIJA

### Iespējas, ko sniedz bezvadu sistēmas aktivizēšanas funkcija

Bezvadu sistēmas aktivizēšanas funkcija nodrošina tīru un ērtu darbību. Pieslēdzot atbilstošu putekļu sūcēju darbarīkam, putekļu sūcēju iespējams darbināt automātiski kopā ar darbarīka pārslēgšanas darbību.

### ► Att.34

Lai izmantotu bezvadu sistēmas aktivizēšanas funkciju, sagatavojiet ierīces.

- Bezvadu ierīci (papildu piederums)
- Putekļu sūcēju, kas atbalsta bezvadu sistēmas aktivizēšanas funkciju

Bezvadu sistēmas aktivizēšanas funkcijas iestatīšanas kopsavilkums. Plašāk par darbībām skatiet šajās sadaļās.

1. Bezvadu ierīces uzstādīšana
2. Darbarīka reģistrācija putekļu sūcējam
3. Bezvadu sistēmas aktivizēšanas funkcijas startēšana

## Bezvadu ierīces uzstādīšana

### Papildu piederumi

**⚠ UZMANĪBU:** Kad uzstādāt bezvadu ierīci, darbarīku nolieciet uz līdzenas un stabilas virsmas.

**IEVĒRĪBAI:** Pirms bezvadu ierīces uzstādīšanas no darbarīka notīriet putekļus un netīrumus. Ja bezvadu ierīces atverē iekļūst putekļi vai netīrumi, tie var izraisīt darbības traucējumus.

**IEVĒRĪBAI:** Lai novērstu statiskās enerģijas radītos darbības traucējumus, pirms bezvadu ierīces pacelšanas pieskarieties statisko enerģiju izlādējošam materiālam, piemēram, darbarīka metālskajai daļai.

**IEVĒRĪBAI:** Uzstādot bezvadu ierīci, vienmēr pārliecinieties, ka bezvadu ierīce ievietota pareizajā virzienā, un pārsegs ir pilnībā aizvērts.

1. Atveriet darbarīka pārsegu, kā parādīts attēlā.  
▶ **Att.35:** 1. Pārsegs

2. Bezvadu ierīci pievienojiet atverei un aizveriet pārsegu.

Pievienojot bezvadu ierīci, izvirkājums savietojiet ar padziļinājuma vietām uz atveres.

▶ **Att.36:** 1. Bezvadu ierīce 2. Izvirkājums 3. Pārsegs 4. Padziļinājuma daļa

Noņemot bezvadu ierīci, pārsegu atveriet lēni. Ar āķiem pārsega aizmugurē bezvadu ierīce pacelsies līdz ar pārsega atvēršanu.

▶ **Att.37:** 1. Bezvadu ierīce 2. Āķis 3. Pārsegs

Pēc bezvadu ierīces noņemšanas glabājiet to komplekta ietvarā vai nestatiskā konteinerā.

**IEVĒRĪBAI:** Noņemot bezvadu ierīci, vienmēr izmantojiet āķus pārsega aizmugurē. Ja āķi nesatver bezvadu ierīci, tad pārsegu aizveriet un lēni atkal atveriet.

## Darbarīka reģistrācija putekļu sūcējam

**PIEZĪME:** Lai reģistrētu darbarīku, nepieciešams Makita putekļu sūcējs, kas atbalsta bezvadu sistēmas aktivizēšanas funkciju.

**PIEZĪME:** Vispirms pabeidziet bezvadu ierīci uzstādīt darbarīkam, tikai tad sāciet darbarīka reģistrāciju.

**PIEZĪME:** Darbarīka reģistrācijas laikā nenospiediet slēdža mēlīti un nenospiediet ieslēgšanas slēdzi uz putekļu sūcēja.

**PIEZĪME:** Skatiet arī putekļu sūcēja lietošanas rokasgrāmatu.

Ja putekļu sūcēju vēlaties aktivizēt reizē ar darbarīka pārslēgšanas darbību, vispirms pabeidziet darbarīka reģistrāciju.

1. Putekļu sūcējā un darbarīkā ielieciet akumulatorus.

2. Gaidstāves slēdzi uz putekļu sūcēja pārslēdziet pozīcijā „AUTO”.

▶ **Att.38:** 1. Gaidstāves slēdzis

3. Nospiediet bezvadu sistēmas aktivizēšanas pogu uz putekļu sūcēja un turiet 3 sekundes, līdz bezvadu sistēmas aktivizēšanas lampiņa mirgo zaļā krāsā. Un tad tādā pašā veidā nospiediet bezvadu sistēmas aktivizēšanas pogu uz darbarīka.

▶ **Att.39:** 1. Bezvadu sistēmas aktivizēšanas poga 2. Bezvadu sistēmas aktivizēšanas lampiņa

Ja putekļu sūcējs un darbarīks savienoti veiksmīgi, bezvadu sistēmas aktivizēšanas lampiņas 2 sekundes degs zaļā krāsā un tad sāks mirgot zilā krāsā.

**PIEZĪME:** Bezvadu sistēmas aktivizēšanas lampiņas zaļā krāsā beidz mirgot pēc 20 sekundēm. Kamēr uz putekļu sūcēja mirgo bezvadu sistēmas aktivizēšanas lampiņa, nospiediet bezvadu sistēmas aktivizēšanas pogu uz darbarīka. Ja bezvadu sistēmas aktivizēšanas lampiņa nemirgo zaļā krāsā, uz mirkli piespiediet un atkal paturiet nospiestu bezvadu sistēmas aktivizēšanas pogu.

**PIEZĪME:** Ja vienam putekļu sūcējam reģistrējāt divus vai vairākus darbarīkus, tad darbarīku reģistrāciju pabeidziet secīgi.

## Bezvadu sistēmas aktivizēšanas funkcijas startēšana

**PIEZĪME:** Vispirms pabeidziet darbarīka reģistrāciju putekļu sūcējam, tikai tad aktivizējiet bezvadu sistēmu.

**PIEZĪME:** Skatiet arī putekļu sūcēja lietošanas rokasgrāmatu.

Kad putekļu sūcējs būs reģistrēts darbarīkam, putekļu sūcējs automātiski darbosies kopā ar darbarīka pārslēgšanas darbību.

1. Uzstādiet bezvadu ierīci darbarīkam.

2. Putekļu sūcēja šļūteni savienojiet ar darbarīku.

▶ **Att.40**

3. Gaidstāves slēdzi uz putekļu sūcēja pārslēdziet pozīcijā „AUTO”.

▶ **Att.41:** 1. Gaidstāves slēdzis

4. Uz mirkli piespiediet bezvadu sistēmas aktivizēšanas pogu uz darbarīka. Bezvadu sistēmas aktivizēšanas lampiņa iemirgosies zilā krāsā.

▶ **Att.42:** 1. Bezvadu sistēmas aktivizēšanas poga

2. Bezvadu sistēmas aktivizēšanas lampiņa

5. Ieslēdziet darbarīku. Pārliecinieties, ka laikā, kad izmantojat darbarīku, putekļu sūcējs darbojas.

Lai apturētu putekļu sūcēja bezvadu sistēmas aktivizēšanu, nospiediet bezvadu sistēmas aktivizēšanas pogu uz darbarīka.

**PIEZĪME:** Bezvadu sistēmas aktivizēšanas lampiņa uz darbarīka beigs mirgot zilā krāsā, kad darbarīks bezdarbībā būs bijis 2 stundas. Šajā gadījumā gaidstāves slēdzi uz putekļu sūcēja pārslēdziet pozīcijā „AUTO” un atkal nospiediet bezvadu sistēmas aktivizēšanas pogu uz darbarīka.

**PIEZĪME:** Putekļu sūcējs ieslēdzas/izslēdzas ar aizkavi. Kad putekļu sūcējs konstatē darbarīka pārslēgšanas darbību, rodas laika nobīde.

**PIEZĪME:** Atrašanās vietas un apkārtējo apstākļu dēļ var atšķirties bezvadu ierīces signāla uzlveršanas attālumus.



**PIEZĪME:** Kad pie viena putekļu sūcēja pieslēgti divi vai vairāki darbarīki, putekļu sūcējs var sākt darboties pat tad, ja jūs neieslēdzat darbarīku, jo bezvadu sistēmas aktivizēšanas funkciju izmanto cits lietotājs.



## Bezvadu sistēmas aktivizēšanas lampiņas statusa apraksts

### ► Att.43: 1. Bezvadu sistēmas aktivizēšanas lampiņa

Bezvadu sistēmas aktivizēšanas lampiņa rāda bezvadu sistēmas aktivizēšanas funkcijas statusu. Lampiņas statusa nozīme norādīta tabulā.

Statuss	Bezvadu sistēmas aktivizēšanas lampiņa				Apraksts
	Krāsa	 Deg	 Mirgo	Ilgums	
Gaidstāve	Zila	<input checked="" type="checkbox"/>		2 stundas	Putekļu sūcēja bezvadu sistēmas aktivizēšana ir iespējama. Kad darbarīks bezdarbībā būs bijis 2 stundas, lampiņa izslēgsies automātiski.
		<input type="checkbox"/>		Kad darbarīks darbojas.	Putekļu sūcēja bezvadu sistēmas aktivizēšana ir iespējama, darbarīks darbojas.
Darbarīka reģistrācija	Zaļa	<input checked="" type="checkbox"/>		20 sekundes	Sistēma ir gatava darbarīka reģistrācijai. Tiek gaidīta putekļu sūcēja reģistrācija.
		<input type="checkbox"/>		2 sekundes	Darbarīka reģistrācija ir pabeigta. Bezvadu sistēmas aktivizēšanas lampiņa sāks mirgot zilā krāsā.
Darbarīka reģistrācijas atcelšana	Sarkana	<input checked="" type="checkbox"/>		20 sekundes	Sistēma ir gatava darbarīka reģistrācijas atcelšanai. Tiek gaidīta reģistrācijas atcelšana no putekļu sūcēja puses.
		<input type="checkbox"/>		2 sekundes	Darbarīka reģistrācijas atcelšana ir pabeigta. Bezvadu sistēmas aktivizēšanas lampiņa sāks mirgot zilā krāsā.
Cits	Sarkana	<input type="checkbox"/>		3 sekundes	Bezvadu ierīce saņem strāvu, sāk darboties bezvadu sistēmas aktivizēšanas funkcija.
	Nedeg	-		-	Putekļu sūcēja bezvadu sistēmas aktivizēšana ir apturēta.

## Darbarīka reģistrācijas atcelšana putekļu sūcējam

Atceļot darbarīka reģistrāciju putekļu sūcējam, jārikojas šādi.

1. Putekļu sūcējā un darbarīkā ielieciet akumulatorus.
2. Gaidstāves slēdzi uz putekļu sūcēja pārslēdziet pozīcijā „AUTO”.

### ► Att.44: 1. Gaidstāves slēdzis

3. Nospiediet bezvadu sistēmas aktivizēšanas pogu uz putekļu sūcēja un turiet 6 sekundes. Bezvadu sistēmas aktivizēšanas lampiņa nomirgo zaļā krāsā un tad kļūst sarkana. Pēc tam tādā pašā veidā nospiediet bezvadu sistēmas aktivizēšanas pogu uz darbarīka.

- Att.45: 1. Bezvadu sistēmas aktivizēšanas poga
2. Bezvadu sistēmas aktivizēšanas lampiņa

Ja atcelšana notikusi veiksmīgi, bezvadu sistēmas aktivizēšanas lampiņas 2 sekundes degs sarkanā krāsā un sāks mirgot zilā krāsā.

**PIEZĪME:** Bezvadu sistēmas aktivizēšanas lampiņas sarkanā krāsā beidz mirgot pēc 20 sekundēm. Kamēr uz putekļu sūcēja mirgo bezvadu sistēmas aktivizēšanas lampiņa, nospiediet bezvadu sistēmas aktivizēšanas pogu uz darbarīka. Ja bezvadu sistēmas aktivizēšanas lampiņa nemirgo sarkanā krāsā, uz mirkli piespiediet un atkal paturiet nospiestu bezvadu sistēmas aktivizēšanas pogu.



## Traucējummeklēšana bezvadu sistēmas aktivizēšanas funkcijai

Pirms nodošanas remontā vispirms veiciet pārbaudi pats. Ja konstatējat kļūmi, kas nav aprakstīta rokasgrāmatā, nemēģiniet darbarīku izjaukt. Dodieties uz Makita pilnvarotu apkopes centru un remontam vienmēr izmantojiet tikai Makita rezerves daļas.

Neatbilstošas darbības stāvoklis	Iespējamais iemesls (kļūme)	Risinājums
Bezvadu sistēmas aktivizēšanas lampiņa neiedegas/nemirgo.	Bezvadu ierīce darbarīkā nav uzstādīta. Bezvadu ierīce darbarīkā ir uzstādīta nepareizi.	Uzstādiet bezvadu ierīci pareizi.
	Bezvadu ierīces izvads un/vai atvere ir netīra.	Uzmanīgi noslaukiet putekļus un nefrumus no bezvadu ierīces izvada un iztīriet atveri.
	Bezvadu sistēmas aktivizēšanas poga uz darbarīka nav nospiesta.	Uz mirkli piespiediet bezvadu sistēmas aktivizēšanas pogu uz darbarīka.
	Gaidstāves slēdzis uz putekļu sūcēja nav ieslēgts pozīcijā „AUTO”.	Gaidstāves slēdzi uz putekļu sūcēja pārslēdziet pozīcijā „AUTO”.
	Nav strāvas padeves	Pieslēdziet strāvas padevi darbarīkam un putekļu sūcējam.
Neizdodas veiksmīgi pabeigt darbarīka reģistrāciju/darbarīka reģistrācijas atcelšanu.	Bezvadu ierīce darbarīkā nav uzstādīta. Bezvadu ierīce darbarīkā ir uzstādīta nepareizi.	Uzstādiet bezvadu ierīci pareizi.
	Bezvadu ierīces izvads un/vai atvere ir netīra.	Uzmanīgi noslaukiet putekļus un nefrumus no bezvadu ierīces izvada un iztīriet atveri.
	Gaidstāves slēdzis uz putekļu sūcēja nav ieslēgts pozīcijā „AUTO”.	Gaidstāves slēdzi uz putekļu sūcēja pārslēdziet pozīcijā „AUTO”.
	Nav strāvas padeves	Pieslēdziet strāvas padevi darbarīkam un putekļu sūcējam.
	Nepareiza darbība	Uz mirkli piespiediet bezvadu sistēmas aktivizēšanas pogu un atkal veiciet darbarīka reģistrācijas/atcelšanas procedūru.
	Darbarīks un putekļu sūcējs atrodas tālu viens no otra (ārpus signāla uztveršanas zonas).	Darbarīku un putekļu sūcēju novietojiet tuvāk vienu otram. Maksimālais signāla uztveršanas attālums ir apmēram 10 m, taču apstākļu ietekmē tas var atšķirties.
	Pirms darbarīka reģistrācijas/atcelšanas pabeigšanas - darbarīka slēdzis ir ieslēgts vai - ieslēgšanas poga uz putekļu sūcēja ir ieslēgta.	Uz mirkli piespiediet bezvadu sistēmas aktivizēšanas pogu un atkal veiciet darbarīka reģistrācijas/atcelšanas procedūru.
	Darbarīka reģistrācijas procedūra darbarīkam vai putekļu sūcējam nav pabeigta.	Vienlaikus veiciet darbarīka reģistrācijas procedūru gan darbarīkam, gan putekļu sūcējam.
	Radio traucējumi no citām iekārtām, kas ģenerē ļoti intensīvus radio viļņus.	Darbarīku un putekļu sūcēju neturiet tādu iekārtu tuvumā kā bezvadu tehnoloģiju (Wi-Fi) ierīces un mikroviļņu krāsnis.
Putekļu sūcējs nedarbojas kopā ar darbarīka pārslēgšanas darbību.	Bezvadu ierīce darbarīkā nav uzstādīta. Bezvadu ierīce darbarīkā ir uzstādīta nepareizi.	Uzstādiet bezvadu ierīci pareizi.
	Bezvadu ierīces izvads un/vai atvere ir netīra.	Uzmanīgi noslaukiet putekļus un nefrumus no bezvadu ierīces izvada un iztīriet atveri.
	Bezvadu sistēmas aktivizēšanas poga uz darbarīka nav nospiesta.	Uz mirkli piespiediet bezvadu sistēmas aktivizēšanas pogu un pārliecinieties, ka bezvadu sistēmas lampiņa mirgo zilā krāsā.
	Gaidstāves slēdzis uz putekļu sūcēja nav ieslēgts pozīcijā „AUTO”.	Gaidstāves slēdzi uz putekļu sūcēja pārslēdziet pozīcijā „AUTO”.
	Pie putekļu sūcēja ir pieslēgti vairāk nekā 10 darbarīki.	Atkārtoti reģistrējiet darbarīku. Ja putekļu sūcējam reģistrēti vairāk nekā 10 darbarīki, automātiski tiks atslēgts vissienāk reģistrētais darbarīks.
	Visu reģistrēto darbarīku iestatījumi ir izdzēsti no putekļu sūcēja.	Atkārtoti reģistrējiet darbarīku.
	Nav strāvas padeves	Pieslēdziet strāvas padevi darbarīkam un putekļu sūcējam.
	Darbarīks un putekļu sūcējs atrodas tālu viens no otra (ārpus signāla uztveršanas zonas).	Darbarīku un putekļu sūcēju novietojiet tuvāk vienu otru. Maksimālais signāla uztveršanas attālums ir apmēram 10 m, taču apstākļu ietekmē tas var atšķirties.
	Radio traucējumi no citām iekārtām, kas ģenerē ļoti intensīvus radio viļņus.	Darbarīku un putekļu sūcēju neturiet tādu iekārtu tuvumā kā bezvadu tehnoloģiju (Wi-Fi) ierīces un mikroviļņu krāsnis.
Putekļu sūcējs darbojas, kamēr darbarīks nedarbojas.	Putekļu sūcēja bezvadu sistēmas aktivizēšanas funkciju saviem darbarīkiem izmanto citi lietotāji.	Izslēdziet citu darbarīku bezvadu aktivizēšanas pogu vai atceliet darbarīka reģistrāciju citiem darbarīkiem.

## APKOPE

**⚠UZMANĪBU:** Pirms darbarīka pārbaudes vai apkopes vienmēr pārlicinieties, ka darbarīks ir izslēgts un akumulatora kasetne ir izņemta.

**⚠UZMANĪBU:** Notīriet arī uzkrājušās zāģskaidas no augšējā un apakšējā asmens aizsarga, jo tās var traucēt apakšējās aizsargsistēmas darbību. Neīrta aizsargsistēma var traucēt pareizai lietošanai, un tas var izraisīt smagas traumas. Visefektīvāk šo tīrīšanu var veikt ar saspiestu gaisu. Ja putekļi tiek izpūsti ārā pa aizsargu, noteikti izmantojiet piemērotus acu un elpceļu aizsarglīdzekļus.

**⚠UZMANĪBU:** Pēc katras lietošanas reizes notīriet skaidas no darbarīka.. Smalkās kokskaidas var iekļūt darbarīkā un izraisīt kļūmīgu darbību vai aizdegšanos.

**IEVĒRĪBAI:** Nekad neizmantojiet gazolinu, benzīnu, atšķaidītāju, spirtu vai līdzīgus šķidrumus. Tas var radīt izbalēšanu, deformāciju vai plaisas.

Lai saglabātu izstrādājuma DROŠU un UZTICAMU darbību, remontdarbus, apkopi un regulēšanu uzticiet veikt tikai Makita pilnvarotam vai rūpnīcas apkopes centram, un vienmēr izmantojiet tikai Makita rezerves daļas.

## 0° zāģējuma un 45° zāģējuma precizitātes regulēšana

**IEVĒRĪBAI:** Iestatot 0° zāģējuma precizitāti, neizmantojiet -1° slīpenķa zāģēšanai paredzētās sviras.

**IEVĒRĪBAI:** Iestatot 45° zāģējuma precizitāti, neizmantojiet 22,5° vai 60° slīpenķa iestatīšanai paredzēto pozitīvās vērtības sprūdu.

Tas izdarīts jau rūpnīcā. Taču vajadzības gadījumā regulējiet, veicot šādas darbības.

1. Atlaidiet vaļīgāk spīlējuma skrūves darbarīka priekšpusē un aizmugurē tā, lai varētu mainīt leņķa slīpumu. Ja grasāties iestatīt 45° zāģējuma precizitāti, iestatiet pozitīvās vērtības aizturi 45° slīpenķa pozīcijā.  
▶ **Att.46:** 1. Spīlējuma skrūve 2. Pozitīvais sprūds

2. Novietojiet pamatni perpendikulāri vai 45° leņķī pret ripzāga asmeni, izmantojot trijstūri un pagriežot regulēšanas skrūvi ar sešstūru uzgriežņu atslēgu. Lai pielāgotu 0° leņķi, varat izmantot arī kvadrātu.  
▶ **Att.47:** 1. Trijstūris

▶ **Att.48:** 1. Skrūves regulēšana 0° leņķim 2. Skrūves regulēšana 45° leņķim

3. Pievelciet spīlējuma skrūves un tad veiciet pārbaudes zāģējumu, lai pārbaudītu, vai tiek iegūts vēlamais leņķis.

## Dziļuma vadīklas regulēšana

Ja pamatne laideni neslīd uz augšu un uz leju, iespējams, ka ir sasvērta dziļuma vadīkla. Tālāk parādīts, kā regulēt dziļuma vadīklu.

1. Novietojiet pamatni perpendikulāri, un iestatiet lielāko zāģēšanas dziļumu.
2. Atbrīvojiet dziļuma vadotnes regulēšanas skrūves. Dziļuma vadīkla automātiski noregulējas vajadzīgajā pozīcijā.

3. Pievelciet dziļuma vadīklas regulēšanas skrūves.
4. Lai noregulētu paralēlo stāvokli, skatiet sadaļu, kurā aprakstīta paralēlā stāvokļa regulēšana.

▶ **Att.49:** 1. Dziļuma vadīklas regulēšanas skrūves

## Paralēlā stāvokļa regulēšana

**⚠UZMANĪBU:** Raugieties, lai vienmēr tiktu nodrošināts paralēlais stāvoklis. Citādi ripzāga asmens var iegriezties virzošajā slīdē, un bojātā slīde var radīt traumas.

Tas izdarīts jau rūpnīcā. Taču vajadzības gadījumā regulējiet, veicot šādas darbības.

1. Darbarīkam iestatiet maksimālo zāģēšanas dziļumu.
2. Pārbaudiet, vai visas sviras un skrūves ir pievilktas.
3. Atskrūvējiet skrūves, kā parādīts attēlā.
4. Atverot apakšējo aizsargu, pamatnes aizmuguri pārvietojiet tā, lai attālus starp A un B būtu vienāds.  
▶ **Att.50:** 1. Skrūve 2. Pamatne
5. Pievelciet skrūves un veiciet pārbaudes griezumus, lai pārbaudītu paralēlo stāvokli.

## PAPILDU PIEDERUMI

**⚠UZMANĪBU:** Šādi piederumi un papildierīces tiek ieteiktas lietošanai ar šajā rokasgrāmatā aprakstīto Makita darbarīku. Izmantojot citus piederumus vai papildierīces, var tikt radīta trauma gūšanas bīstamība. Piederumu vai papildierīci izmantojiet tikai paredzētajam mērķim.

Ja jums vajadzīga palīdzība vai precīzāka informācija par šiem piederumiem, vērsieties savā tuvākajā Makita apkopes centrā.

- Ripzāga asmens
- Pamatnes pagarinātājs
- Vadslīde
- Slīpuma virzītājs
- Skava
- Loksne
- Gumijas loksne
- Pozīcijas loksne
- Sešstūru uzgriežņu atslēga
- Priekšējā uzrava 24
- Bezkvadratu ierīce
- Makita oriģinālais akumulators un lādētājs

**PIEZĪME:** Daži sarakstā norādītie izstrādājumi var būt iekļauti instrumenta komplektācijā kā standarta piederumi. Tie dažādās valstīs var būt atšķirīgi.

## SPECIFIKACIJOS

Modelis:		HS011G		
Disko skersmuo		255 mm	260 mm	270 mm
Didžiausias pjovimo gylis	0° kampu	94 mm	97 mm	101 mm
	45° kampu įstrižai	65 mm	68 mm	71 mm
	60° kampu įstrižai	45 mm	48 mm	51 mm
Sūkiai be apkrovos		3 500 min <sup>-1</sup>		
Bendrasis ilgis		453 mm		
Vardinė įtampa		Nuol. sr. 36 V - 40 V maks.		
Grynasis svoris		5,5 - 6,7 kg		

- Atliekame tęstinus tyrimus ir nuolatos tobuliname savo gaminius, todėl čia pateikiamos specifikacijos gali būti keičiamos be įspėjimo.
- Įvairiose šalyse specifikacijos ir akumulatoriaus kasetė gali skirtis.
- Svoris gali priklausyti nuo priedo (-ų), įskaitant akumulatoriaus kasetę. Lengviausias ir sunkiausias deriniai pagal EPTA 2014 m. sausio mėn. procedūrą yra parodyti lentelėje.

### Tinkama akumulatoriaus kasetė ir (arba) įkroviklis

Akumulatoriaus kasetė	BL4020 / BL4025 / BL4040 / BL4050F* / BL4080F* *: rekomenduojamas akumulatorius
Įkroviklis	DC40RA / DC40RB / DC40RC

- Atsižvelgiant į gyvenamosios vietos regioną, kai kurios pirmiau nurodytos akumulatoriaus kasetės ir įkrovikliai gali būti neprieinami.

**⚠️ ĮSPĖJIMAS:** Naudokite tik akumulatoriaus kasetes ir įkroviklius, kurie nurodyti anksčiau. Naudojant bet kurias kitas akumulatoriaus kasetes ir įkroviklius, gali kilti sužeidimo ir gaisro pavojus.

### Numatytoji naudojimo paskirtis

Šis įrankis skirtas tiesiems ir nuožambiams pjūviams įvairiais kampais išilgai ir skersai pjauti, įrankiu tvirtai spaudžiant ruošinį.

### Triukšmas

Įprastas triukšmo A lygis, nustatytas pagal EN62841-2-5:

Garso slėgio lygis ( $L_{pA}$ ): 93 dB (A)

Garso galios lygis ( $L_{WA}$ ): 104 dB (A)

Paklaida (K): 3 dB (A)

**PASTABA:** Paskelbta (-os) triukšmo reikšmė (-ės) nustatyta (-os) pagal standartinį testavimo metodą ir jį galima naudoti vienam įrankiui palyginti su kitu.

**PASTABA:** Paskelbta (-os) triukšmo reikšmė (-ės) taip pat gali būti naudojama (-os) norint preliminariai įvertinti triukšmo poveikį.

**⚠️ ĮSPĖJIMAS:** Dėvėkite ausų apsaugą.

**⚠️ ĮSPĖJIMAS:** Faktiškai naudojant elektrinį įrankį, keliamo triukšmo dydis gali skirtis nuo paskelbtos (-ų) reikšmės (-ių), priklausomai nuo būdų, kuriais yra naudojamas šis įrankis, ir ypač nuo to, kokio tipo ruošinys apdirbamas.

**⚠️ ĮSPĖJIMAS:** Siekdami apsaugoti operatorių, būtina įvertinkite saugos priemones, remdamiesi vibracijos poveikio įvertinimu esant faktinėms naudojimo sąlygoms (atsižvelgdami į visas darbo ciklo dalis, pavyzdžiui, ne tik kiek laiko įrankis veikia, bet ir kiek kartų jis yra išjungiamas bei kai jis veikia be apkrovų).

### Vibracija

Vibracijos bendroji vertė (trašio vektorius suma) nustatyta pagal EN62841-2-5 standartą:

Darbo režimas: medžio pjovimas

Vibracijos emisija ( $a_{h,w}$ ): 2,5 m/s<sup>2</sup> arba mažiau

Paklaida (K): 1,5 m/s<sup>2</sup>

**PASTABA:** Paskelbta (-os) vibracijos bendroji (-osios) reikšmė (-ės) nustatyta (-os) pagal standartinį testavimo metodą ir jį galima naudoti vienam įrankiui palyginti su kitu.

**PASTABA:** Paskelbta (-os) vibracijos bendroji (-osios) reikšmė (-ės) taip pat gali būti naudojama (-os) norint preliminariai įvertinti vibracijos poveikį.

**⚠️ISPĖJIMAS:** Faktiškai naudojant elektrinį įrankį, keliamos vibracijos dydis gali skirtis nuo paskelbtos (-ų) reikšmės (-ių), priklausomai nuo būdų, kuriais yra naudojamas šis įrankis, ir ypač nuo to, kokio tipo ruošinys apdirbamas.

**⚠️ISPĖJIMAS:** Siekdami apsaugoti operatorių, būtina įvertinkite saugos priemones, remdamiės vibracijos poveikio įvertinimu esant faktinėms naudojimo sąlygoms (atsižvelgdami į visas darbo ciklo dalis, pavyzdžiui, ne tik kiek laiko įrankis veikia, bet ir kiek kartų jis yra išjungiamas bei kai jis veikia be apkrovų).

## EB atitikties deklaracija

### Tik Europos šalis

EB atitikties deklaracija yra pridama kaip šio instrukcijų vadovo A priedas.

## SAUGOS ĮSPĖJIMAI

### Bendrieji įspėjimai dirbant elektriniais įrankiais

**⚠️ISPĖJIMAS:** Perskaitykite visus saugos įspėjimus, instrukcijas, iliustracijas ir techninius duomenis, pateiktus kartu su šiuo elektriniu įrankiu. Nesilaikant visų toliau išvardytų instrukcijų galima patirti elektros smūgį, gali kilti gaisras ir (arba) galima sunkiai susižaloti.

## Išsaugokite visus įspėjimus ir instrukcijas, kad galėtumėte jas peržiūrėti ateityje.

Terminas „elektrinis įrankis“ pateiktuose įspėjimuose reiškia į maitinimo tinklą jungiamą (laidinį) elektrinį įrankį arba akumulatoriaus maitinamą (belaidį) elektrinį įrankį.

### Įspėjimai dėl akumulatorinio diskinio pjūklo saugos

#### Pjovimo darbų tvarka

1. **⚠️PAVOJUS:** rankas laikykite kuo toliau nuo pjovimo vietos ir geležtės. Kitą ranką laikykite ant pagalbinės rankenos arba variklio korpuso. Jei pjūklą laikysite abiem rankomis, geležtė negalės jų įpjauti.
2. **Nekisikite rankų po ruošiniu.** Po ruošiniu apsauginis įtaisas negali apsaugoti jūsų nuo geležtės.
3. **Pjovimo gylį sureguliuokite pagal ruošinio storį.** Po ruošiniu turi matytis mažiau nei vienas visas geležtės dantis.
4. **Pjaudami ruošinio jokiū būdu nelaikykite rankose ar tarp kojų.** Ruošinį pritvirtinkite prie stabilaus darbastalio. Labai svarbu tinkamai paremti ruošinį, kad kiltų kuo mažiau pavojų kūnui, kad nelinktų diskas ir kad neprarastumėte kontrolės.

#### ▶ Pav.1

5. **Laikykite elektrinį įrankį už izoliuotų paviršių, jei pjovimo įrankis gali paliesti nematomus laidus.** Jei tvirtinimo detalės palies laidą su įtampa, elektrinio įrankio metalinėmis dalimis taip pat gali imti tekėti srovė, todėl operatorius gali patirti elektros šoką.
6. **Darydami prapjovimo darbus, visuomet naudokite prapjovos kreiptuvą arba tiesią krašto kreipiamąją.** Taip pjūvis bus tikslesnis ir sumažės tikimybė, kad geležtė užstrigs ruošinyje.
7. **Diskus naudokite tik su tinkamo dydžio ir formos (deimantinėmis ar apvaliomis) angomis.** Diskai, kurie netinka montavimo pjūkle įtaisams, slinks nuo centro į šalis, todėl nesuvaldysite įrankio.
8. **Niekada nenaudokite apgadintų arba netinkamų geležtės poveržlių arba varžto.** Geležtės poveržlės ir varžtai specialiai pagaminti šiam pjūklui, kad jis būtų optimaliai našus ir saugus.

#### Atatranks priežastys ir su ja susiję įspėjimai

- atatranka yra staigi reakcija į pjūklo disko įstrigimą, sulinkimą ar išsiderinimą, dėl kurių nevaldomas pjūklas pakyla ir iššoka iš ruošinio operatoriaus link;
- jei diskas įstringa arba smarkiai sulinksta užsidarant įpjovai, diskas stringa, o variklio reakcija staigiai nukreipia įrankį operatoriaus link;
- Jei geležtė susisuka arba išsiderina įpjovoje, gali nėje geležtės briaunoje esantys dantukai gali įlįsti į medienos paviršių ir todėl geležtė iššoks iš įpjovos operatoriaus link.

Atatranka yra piktnaudžiavimo pjūklui ir (arba) netinkamų darbo procedūrų ar sąlygų rezultatas, jos galima išvengti vadovaujantis toliau nurodytomis atsargumo priemonėmis.

1. **Tvirtai laikykite pjūklą abiem rankomis, rankas laikykite taip, kad jos atlaikytų atatranks jėgą. Stovėkite bet kurioje geležtės pusėje, bet ne vienoje linijoje su ja.** Dėl atatranks pjūklas gali atšokti atgal, bet operatorius gali valdyti atatranks jėgą, jei imasi reikiamų atsargumo priemonių.
  2. **Jei geležtė sulinksta arba pjovimas pertraukiamas dėl kitos priežasties, atleiskite gaiduką ir nejudinkite pjūklo ruošinyje, kol geležtė visiškai nesustos. Jokiū būdu nemėginkite ištraukti pjūklo iš ruošinio arba traukti pjūklo atgal, kol geležtė juda, antraip įvyks atatranka.** Apžiūrėkite ir imkitės priemonių geležtės sulinkimo priežastčiai pašalinti.
  3. **Įstatydami pjūklą atgal į ruošinį, pjūklo diską įstatykite įpjovos centre taip, kad pjūklo dantukai nebūtų įstrigę ruošinyje.** Jei pjūklo diskas linksta, jis gali pakilti arba iššokti iš ruošinio vėl įjungus pjūklą.
  4. **Dideles plokštes paremkite ir taip sumažinkite pavojų, kad geležtė bus suspausta ir iššoks.** Didelės plokštes linksta dėl savo pačių svorio. Atramas reikia dėti po plokštę iš abiejų pusių, netoli pjovimo linijos ir greta plokštės briaunos.
- ▶ Pav.2  
▶ Pav.3
5. **Nenaudokite atšipusių ar sugadintų geležčių.** Naudojant nepagaląstas arba netinkamai nustatytas geležtes gaunama siaura įpjova, dėl to padidėja trintis, linksta geležtė ir kyla atatranka.

6. **Prieš atliekant pjūvį, geležtės gylio ir nuožulnumo reguliavimo-fiksavimo svirtys turi būti gerai pritvirtintos ir priveržtos.** Jei geležtės reguliavimas pasikeis pjaunant, geležtė gali sulinkti ar iššokti.
7. **Būkite ypač atsargūs, kai darote pjūvius siene arba kitose aklinose vietose.** Išsikišusi geležtė gali pataikyti į objektus ir nuo jų atšokti.
8. **VISUOMET tvirtai laikykite įrankį abiem rankomis. NEDĖKITE rankų, kojų ar kitos kūno dalies po įrankio pagrindu ar už pjūklą, ypač darydami kryžminius pjūvius.** Įvykus atatranksiui, pjūklas gali atšokti atgal per jūsų ranką ir sunkiai sužaloti.

#### ► Pav.4

9. **Nedirbkite pjūklui per jėgą. Stumkite pjūklą tokiu greičiu, kad geležtė pjautų nelėtėdama.** Spaudžiant pjūklą, galimi nelygūs pjūviai, tikslumo sumažėjimas ir atatranka.

#### Apsauginio skydo veikimas

1. **Prieš kiekvieną naudojimą patikrinkite, ar apatinis apsauginis įtaisas tinkamai užsidaro.** Nenaudokite pjūklą, jei apatinis apsauginis įtaisas nejuda laisvai ir neužsidaro iš karto. Jokių būdų neįtvirtinkite ir nepriirškite apatinio apsauginio įtaiso atviroje padėtyje. Jei pjūklas netyčia išmetamas, apatinis apsauginis įtaisas gali sulinkti. Pakelkite apatinį apsauginį įtaisą atitraukiamą rankena ir įsitinkinkite, ar jis laisvai juda ir neliečia geležtės ar kitos dalies, esant bet kokiam pjūvio kampui ir gyliui.
2. **Patikrinkite apatinio apsauginio įtaiso spyruoklės veikimą.** Jei apsauginis įtaisas ir spyruoklė neveikia tinkamai, prieš naudojimą juos reikia sutvarkyti. Apatinis apsauginis įtaisas gali veikti lėtai dėl pažeistų dalių, lipnių nuosėdų ar susikaupusių nešvarumų.
3. **Apatinį apsauginį įtaisą galima įtraukti ranka, bet tik atliekant specialius pjovimo darbus, pvz., gilius pjūvius arba sudėtinus pjūvius.** Nuleiskite apatinį apsauginį įtaisą įtraukimo rankena, o kai tik diskas įpjau medžiagą, paleiskite apatinį apsauginį įtaisą. Darant kitus pjūvius, apatinė apsauga turi veikti automatiškai.
4. **Prieš dėdami pjūklą ant suolo ar grindų, patikrinkite, ar apatinis apsaugos įtaisas uždengia geležtę.** Neapsaugota iš inercijos judanti geležtė privers pjūklą važiuoti atgal, pjaunant viską savo kelyje. Atkreipkite dėmesį į laiką, kurio reikia, kad geležtė sustotų atleidus jungiklį.
5. **Norėdami patikrinti apatinį apsaugos įtaisą, atidarykite apatinį apsaugos įtaisą ranka, tuomet atleiskite ir stebėkite, kaip jis užsidaro. Taip pat patikrinkite, ar atitraukimo rankenėlė neliečia įrankio korpuso.** Palikite diską atvirą LABAI PAVOJINGA, galima sunkiai susižaloti.

#### Papildomi įspėjimai dėl saugos

1. **Būkite ypač budrūs, kai pjaunate drėgną medieną, suslėgtus rąstus arba medį su šakomis.** Vienodu greičiu stumkite įrankį pirmyn, nemažindami pjūklą greičiu, kad neperkaistų pjūklą galiukai.

2. **Nemėginkite nuimti atpjautos medžiagos geležtei judant.** Prieš imdami nupjautą medžiagą, palaukite, kol geležtė sustos. Išjungus įrankį, geležtės dar sukasi iš inercijos.
3. **Nepjaukite vinių.** Prieš pjaudami apžiūrėkite medieną ir išimkite visas viniis.
4. **Platesnį pjūklą pagrindo dalį dėkite ant tos ruošinio dalies, kuri gerai pjamta, o ne ant tos, kuri nukris baigus pjauti.** Jei ruošinys trumpas arba smulkus, suspauskite jį spaustuvais. **NEMĖGINKITE LAIKYTI TRUMPO RUOŠINIO RANKA!**

#### ► Pav.5

5. **Prieš pastatydami įrankį, kai baigėte pjauti, įsitinkinkite, ar apatinis apsauginis įtaisas užsidarė, o geležtė visiškai sustojo.**
6. **Nemėginkite pjauti apskritu pjūklą apvertę jį spaustuvuose.** Tai ypač pavojinga, todėl gali įvykti sunkus nelaimingas atsitikimas.

#### ► Pav.6

7. **Kai kuriose medžiagose esama cheminių medžiagų, kurios gali būti nuodingos.** Saugokitės, kad neįkvėptumėte dulkių ir nesiliestumėte oda. Laikykites medžiagų tiekėjo saugos duomenų.
8. **Nestabdykite spausdami pjūklą geležtę iš šono.**
9. **Nenaudokite šlifuojamųjų diskų.**
10. **Naudokite tik tokio skersmens pjovimo diską, koks yra nurodytas ant įrankio arba naudojimo instrukcijoje.** Naudojant netinkamo dydžio geležtę, ji gali būti netinkamai apsaugota arba netinkamai veiks apsauginis jos gaubtas, todėl galima sunkiai susižeisti.
11. **Geležtė turi būti aštri ir švari.** Ant geležtės esantys sukietėję sakai ar derva sulėtina pjovimą ir didina atatrankos pavojų. Valykite geležtę pirmiausia išimdami ją iš įrankio, tada nuvalydami sakų ir dervos šalinimo priemone, karštu vandeniu ar žibalu. Nenaudokite benzino.
12. **Naudodami įrankį, užsidėkite kaukę, saugančią nuo dulkių, ir klausos apsaugines priemones.**
13. **Visada naudokite pjaunamai medžiagai tinkamą pjūklą diską.**
14. **Naudokite tik tuos pjūklą diskus, ant kurių nurodytas sukimosi greitis prilygsta arba viršija ant įrankio nurodytą sukimosi greitį.**
15. **(Tik Europos šalims)** Naudokite tik pjovimo diskus, kurie atitinka EN847-1.
16. **Padėkite įrankį ir dalis ant lygaus ir stabilaus paviršiaus.** Priešingu atveju įrankis arba dalys gali nukristi ir sužaloti.

## SAUGOKITE ŠIAS INSTRUKCIJAS.

**▲ ĮSPĖJIMAS:** NELEISKITE, kad patogumas ir gaminio pažinimas (gyjamas pakartotinai naudojant) susilpnintų griežtą saugos taisyklių, taikytinų šiam gaminiui, laikymąsi. Dėl NETINKAMO NAUDOJIMO arba saugos taisyklių, kurios pateiktos šioje instrukcijoje, nesilaikymo galima rimtai susižeisti.

## Svarbios saugos instrukcijos, taikomos akumulatoriaus kasetei

1. Prieš naudodami akumulatoriaus kasetę, perskaitykite visas instrukcijas ir perspėjimus ant (1) akumuliatorių įkroviklio, (2) akumuliatorių ir (3) akumuliatorių naudojančio gaminio.
2. Neardykite ir negadinkite akumulatoriaus kasetės. Dėl to ji gali užsidegti, per daug įkaisti arba sprogti.
3. Jei įrankio darbo laikas žymiai sutrumpėjo, nedelsdami nutraukite darbą su įrankiu. Tai gali kelti perkaitimo, nudegimų ar net sprogimo pavojų.
4. Jei elektrolitas pateko į akis, plaukite jas tyru vandeniu ir nedelsdami kreipkitės į gydytoją. Gali kilti regėjimo praradimo pavojus.
5. Neužtrumpinkite akumulatoriaus kasetės:

- (1) Nelieskite kontaktų degiomis medžiagomis.
- (2) Venkite laikyti akumulatoriaus kasetę kartu su kitais metaliniais daiktais, pavyzdžiui, vinimis, monetomis ir pan.
- (3) Saugokite akumulatoriaus kasetę nuo vandens ir lietaus.

Trumpasis jungimas akumulatoriuje gali sukelti stiprią srovę, perkaitimą, galimus nudegimus ar net akumulatoriaus gedimą.

6. Nelaiykite ir nenaudokite įrankio ir akumulatoriaus kasetės vietose, kur temperatūra gali pasiekti ar viršyti 50 °C (122 °F).
7. Nedeginkite akumulatoriaus kasetės, net jei yra stipriai pažeista ar visiškai susidėvėjusi. Ugnyje akumulatoriaus kasetė gali sprogti.
8. Akumulatoriaus kasetės nekalkite, nepjaustykite ir nemėtykite ir taip pat jį netrunkykite kietu daiktu. Taip elgiantis, ji gali užsidegti, per daug įkaisti arba sprogti.
9. Nenaudokite pažeisto akumulatoriaus.
10. Įdėtoms ličio jonų akumulatoriams taikomi Pavojingų prekių teisės akto reikalavimai. Komeracinis transportas, pvz., trečiųjų šalių, prekių vežimo atstovų, turi laikytis specialaus reikalavimo ant pakuotės ir ženklavimo. Norėdami paruošti siųstiną prekę, pasitarkite su pavojingų medžiagų specialistu. Be to, laikykitės galimai išsamesnių nacionalinių reglamentų. Užklijuokite juosta arba padenkite atvirus kontaktus ir supakuokite akumuliatorių taip, kad jį pakuotėje nejudėtų.
11. Kai išmetate akumulatoriaus kasetę, išimkite ją iš įrankio ir išmeskite saugioje vietoje. Vadovaukitės vietos reglamentais dėl akumuliatorių išmetimo.
12. Baterijas naudokite tik su „Makita“ nurodytais gaminiais. Baterijas įdėjus į netinkamus gaminius gali kilti gaisras, gaminyje pernelyg kaisti, kilti sprogimas arba pratekėti elektrolitas.
13. Jei įrankis bus ilgą laiką nenaudojamas, akumuliatorių būtina išimti iš įrankio.
14. Darbo metu ir po akumulatoriaus kasetės gali būti įkaitusi ir dėl to nudeginti. Imdami akumulatoriaus kasetes, būkite atsargūs.
15. Tuojau pat po naudojimo nelieskite įrankio gnybtų, nes jie gali būti įkaitę tiek, kad nudegins.

16. Neleiskite, kad į akumulatoriaus kasetės gnybtus, angas ir griovelius patektų drožlių, dulkių ar žemių. Jos gali sukelti kaitimą, užsidegti, sprogti ir sukelti įrankio ar akumulatoriaus kasetės gedimą, dėl ko galima nusideginti ar susižaloti.
17. Jeigu įrankis nėra pritaikytas naudoti šalia aukštos įtampos elektros linijų, akumulatoriaus kasetės nenaudokite šalia aukštos įtampos elektros linijų. Dėl to gali sutrikti įrankio ar akumulatoriaus kasetės veikimas arba jie gali sugesti.
18. Laikykite akumuliatorių vaikams nepasiekiamoje vietoje.

## SAUGOKITE ŠIAS INSTRUKCIJAS.

**▲PERSPĖJIMAS:** Naudokite tik originalų „Makita“ akumuliatorių. Neoriginalaus „Makita“ arba pakeisto akumulatoriaus naudojimas gali nulėmti gaisrą, asmens sužalojimą ir pažeidimą. Tai taip pat panaikina „Makita“ suteikiamą „Makita“ įrankio ir įkroviklio garantiją.

## Patarimai, ką daryti, kad akumulatorius veiktų kuo ilgiau

1. Pakraukite akumulatoriaus kasetę prieš ją visiškai išsikraunant. Visuomet nustokite naudoti įrankį ir pakraukite akumulatoriaus kasetę, kai pastebite, kad įrankio galia sumažėjo.
2. Niekada nekraukite iki galo įkrautos akumulatoriaus kasetės. Perkraunant trumpėja akumulatoriaus eksploatacijos laikas.
3. Akumulatoriaus kasetę kraukite esant kambario temperatūrai 10 - 40 °C. Prieš pradėdami krauti, leiskite įkaitusiai akumulatoriaus kasetei atvėsti.
4. Kai akumulatoriaus kasetės nenaudojate, ją išimkite iš įrankio ar įkroviklio.
5. Įkraukite akumulatoriaus kasetę, jei jos nenaudojate ilgą laiką (ilgiau nei šešis mėnesius).

## Svarbios saugumo instrukcijos dėl belaidžio bloko

1. Neardykite ir nekeiskite belaidžio bloko.
2. Laikykite belaidį bloką vaikams nepasiekiamoje vietoje. Netyčia prarijus reikia nedelsiant kreiptis į medicus.
3. Naudokite belaidį bloką tik su „Makita“ įrankiais.
4. Saugokite belaidį bloką nuo lietaus ir nenaudokite jo esant drėgnoms oro sąlygoms.
5. Nenaudokite belaidžio bloko vietose, kur temperatūra viršija 50 °C.
6. Nenaudokite belaidžio bloko netoli medicinos instrumentų, pavyzdžiui, širdies stimuliatorių.
7. Nenaudokite belaidžio bloko netoli automatišnių prietaisų. Automatiniai prietaisai gali sugesti arba gali įvykti klaida.



8. Nenaudokite belaidžio bloko ten, kur gali padidėti temperatūra arba atsirasti statinis elektros krūvis arba elektrinis triukšmas.
9. Belaidis blokas gali sukurti elektromagnetinius laukus (EML), bet jie naudotojui nekenksmingi.
10. Belaidis blokas yra tikslusis instrumentas. Saugokite belaidį bloką nuo kritimo ir smūgių.
11. Nelieskite belaidžio bloko kontakto plikomis rankomis arba metaliniais įrankiais.
12. Įdėdami belaidį bloką visada išimkite gaminio akumuliatorių.
13. Atidarydami angos dangtelį venkite vietų, kur į ją gali patekti dulkių ir vandens. Anga visada turi būti švari.
14. Belaidį bloką visada dėkite reikiama kryptimi.
15. Per smarkiai nespauskite belaidžio aktyvinimo mygtuko ant belaidžio bloko, nespauskite jo aštriu daiktu.
16. Dirbdami visada uždarykite angos dangtelį.
17. Kai įrankiu tiekiamas maitinimas, niekada neimkite belaidžio bloko iš angos. Kitaip belaidis blokas gali sugesti.
18. Nenuimkite lipduko nuo belaidžio bloko.
19. Neklįjuokite jokio lipduko ant belaidžio bloko.
20. Nepalikite belaidžio bloko ten, kur gali atsirasti statinis elektros krūvis arba elektrinis triukšmas.
21. Nepalikite belaidžio bloko karštoje vietoje, pavyzdžiui, automobilyje prieš saulę.
22. Nepalikite belaidžio bloko dulktėje ar miltuotoje vietoje arba ten, kur gali atsirasti išdinančiųjų dujų.
23. Nuo staigaus temperatūros pokyčio belaidis blokas gali aprasoti. Nenaudokite belaidžio bloko, kol rasa visiškai nenudžiūvo.
24. Norėdami nuvalyti belaidį bloką, švelniai pavalykite sausa minkšta šluoste. Nenaudokite benzino, skiediklio, laidaus tepalo ir panašių medžiagų.
25. Laikykite belaidį bloką pridėtame dėkle arba nuo statinio krūvio apsaugotoje taroje.
26. Nekiškite į įrankio angą jokių kitų prietaisų, išskyrus „Makita“ belaidį bloką.
27. Nenaudokite įrankio, kurio angos dangtelis pažeistas. Į angą patekęs vanduo, dulkės ir purvas gali jį sugadinti.
28. Netraukite ir (arba) nesukite angos dangtelio daugiau, nei reikia. Atstatykite dangtelį į vietą, jei jis nukrinta nuo įrankio.
29. Pakeiskite angos dangtelį, jei jo nėra arba jis pažeistas.

## SAUGOKITE ŠIAS INSTRUKCIJAS.

## VEIKIMO APRAŠYMAS

**▲PERSPĖJIMAS:** Prieš pradėdami reguliuoti arba tikrinti įrankio veikimą, visuomet būtinai išjunkite įrankį ir išimkite akumuliatoriaus kasetę.

## Akumuliatoriaus kasetės uždėjimas ir nuėmimas

**▲PERSPĖJIMAS:** Prieš įdėdami arba išimdami akumuliatoriaus kasetę, visada išjunkite įrankį.

**▲PERSPĖJIMAS:** Įdėdami arba išimdami akumuliatoriaus kasetę, tvirtai laikykite įrankį ir akumuliatoriaus kasetę laikysite netvirtai, jie gali išslisti iš jūsų rankų, todėl įrankis ir akumuliatoriaus kasetė gali būti sugadinti, o naudotojas sužalotas.

► **Pav.7:** 1. Raudonas sandariklis (indikatorius) 2. Mygtukas 3. Akumuliatoriaus kasetė

Jei norite išimti akumuliatoriaus kasetę, ištraukite ją iš įrankio, stumdami mygtuką, esantį kasetės priekyje.

Jei norite įdėti akumuliatoriaus kasetę, ant akumuliatoriaus kasetės esantį liežuvelį sutapdinkite su korpusu esančiu grioveliu ir įstumkite į jai skirtą vietą. Įstatykite iki pat galo, kad spragtelėdama užsifiksuotų. Jeigu matote raudoną sandariklį (indikatorių), kaip parodyta paveikslėlyje, ji nėra visiškai užfiksuota.

**▲PERSPĖJIMAS:** Akumuliatoriaus kasetę visada įkiškite iki galo, kol nebematysite raudono sandariklio (indikatoriaus) Priešingu atveju ji gali atsitiktinai iškristi iš įrankio ir sužeisti jus arba aplinkinius.

**▲PERSPĖJIMAS:** Nekiškite akumuliatoriaus kasetės jėga. Jeigu kasetė sunkiai lenda, ją kiškite netinkamai.

## Įrankio / akumuliatoriaus apsaugos sistema

Įrankyje įrengta įrankio / akumuliatoriaus apsaugos sistema. Ši sistema automatiškai atjungia variklio maitinimą, kad įrankis ir akumuliatorius ilgiau veiktų. Įrankis automatiškai išsijungs darbo metu esant vienai iš toliau nurodytų įrankio arba akumuliatoriaus darbo sąlygų. Esant tam tikroms sąlygoms užsidega indikatoriai.

## Apsauga nuo perkrovos

Kai įrankis / akumuliatorius naudojami taip, kad srovės stipris tampa pernelyg didelis, įrankis automatiškai sustoja. Tokiu atveju išjunkite įrankį ir nutraukite darbą, dėl kurio kilo įrankio perkrova. Tada vėl įjunkite įrankį.

## Apsauga nuo perkaitimo

Kai įrankis / akumuliatorius perkaista, įrankis automatiškai sustoja. Tokiu atveju palaukite, kol įrankis atvės, paskui vėl jį įjunkite.

**PASTABA:** Jeigu įrankis perkaista, žybcioja lemputė.



## Apsauga nuo visiško išsikrovimo

Žymiai sumažėjus akumuliatoriaus galiai, įrankis automatiškai išsijungia. Jeigu gaminyje neveikia net ir spaudžiant jungiklius, išimkite akumuliatorių iš įrankio ir įkraukite.

## Apsauga nuo kitų sutrikimų

Apsaugos sistema taip pat apsaugo nuo kitų sutrikimų, galinčių pažeisti įrankį, todėl automatiškai jį išjungia. Įrankiui laikinai sustojus arba veikimo metu išsijungus, imkitės visų toliau nurodytų veiksmų ir pašalinkite sutrikimo priežastis.

1. Išjunkite įrankį, tada vėl įjunkite, kad paleistumėte iš naujo.
2. Įkraukite akumuliatorių (-ius) arba jį (juos) pakeiskite įkrautu (-ais) akumuliatoriumi (-iais).
3. Palaukite, kol įrankis ir akumuliatorius (-iai) atvės.

Jei ant stačiaus apsaugos sistemą veikimas nepagerėja, kreipkitės į vietos „Makita“ techninės priežiūros centrą.

## Likusias akumuliatoriaus galios rodymas

Paspauskite akumuliatoriaus kasetės tikrinimo mygtuką, kad būtų rodoma likusi akumuliatoriaus energija. Maždaug trims sekundėms užsideds indikatorius lemputės.

► **Pav.8:** 1. Indikatorius lemputės 2. Tikrinimo mygtukas

Indikatorius lemputės			Likusi galia
Šviečia	Nešviečia	Blyksi	
			75 - 100 %
			50 - 75 %
			25 - 50 %
			0 - 25 %
			Įkraukite akumuliatorių.
			Galimai įvyko akumuliatoriaus veikimo triktis.

**PASTABA:** Rodmuo gali šiek tiek skirtis nuo faktinės energijos lygio – tai priklauso nuo naudojimo sąlygų ir aplinkos temperatūros.

**PASTABA:** Veikiant akumuliatoriaus apsaugos sistemai ims mirksėti pirmoji (toliausiai kairėje) indikatorius lemputė.

## Jungiklio veikimas

**⚠️ JSPĖJIMAS:** Prieš montuodami akumuliatoriaus kasetę įrankyje, visuomet patikrinkite, ar gaidukas tinkamai veikia ir atleistas grįžta į išjungimo padėtį „OFF“.

**⚠️ JSPĖJIMAS:** NIEKADA neužklijuokite atlaisvinimo mygtuko lipnia juoste ir nepanaikinkite jo funkcijos kitomis priemonėmis. Jungiklis su užblokuotu atlaisvinimo mygtuku gali netyčia įjungti įrankį ir operatorius gali būti sunkiai sužeistas.

**⚠️ JSPĖJIMAS:** NIEKADA nenaudokite įrankio, jei jis veikia nuspaudus tik gaiduką, tačiau nenuspaudus atlaisvinimo mygtuko. Jungiklis, kurį reikia taisyti, gali netyčia įjungti įrankį ir operatorius gali būti sunkiai sužeistas. PRIEŠ pradėdami vėl naudoti įrankį, atiduokite jį suremontuoti į „Makita“ techninės priežiūros centrą.

Atlaisvinimo mygtukas neleidžia atsitiktinai paspausti gaiduko. Jei norite įjungti įrankį, paspauskite atlaisvinimo mygtuką ir gaiduką. Norėdami įrankį išjungti, gaiduką atleiskite.

► **Pav.9:** 1. Gaidukas 2. Atlaisvinimo mygtukas

**PASTABA:** Negalima stipriai spausiti jungiklio gaiduko, nenuspaudus atlaisvinimo mygtuko. Taip galima sugadinti jungiklį.

**⚠️ PERSPĖJIMAS:** Įrankis iškart pradeda stabdyti diskinio pjūklą, kai tik atleidžiate gaiduką. Kai atleidžiate gaiduką, tvirtai laikykite įrankį, kad galėtumėte reaguoti į stabdymą. Staiga įrankis gali iškristi iš jūsų rankos ir sukelti sužalojimą.

## Pjovimo gylio reguliavimas

**⚠️ PERSPĖJIMAS:** Nustatę pjovimo gylį, visada patikimai užtvirtinkite svirtelę.

Atlaisvinkite ant gylio kreiptuvo esančią svirtelę ir slinkite pagrindą aukštyn arba žemyn. Nustatę norimą pjovimo gylį, užtvirtinkite pagrindą, užverždami svirtelę. Norėdami pjauti švariau ir saugiau, nustatykite tokį pjovimo gylį, kad už ruošinio kyšotų tik vienas disko dantis. Tinkamo pjovimo gylio pasirinkimas padeda sumažinti galimą ATATRANKOS pavojų, dėl kurios galima susižeisti.

► **Pav.10:** 1. Svirtis

**PASTABA:** Jei pagrindas tolygiai neslysta į viršų arba žemyn, gali būti, kad gylio kreiptuvas yra pakreiptas. Tokiu atveju sureguliuokite gylio kreiptuvą (žr. skyrių apie gylio kreiptuvo reguliavimą).

## Įstrižųjų pjūvių darymas

**⚠️ PERSPĖJIMAS:** Pareguliuavę nuožulnumo kampą, visada tvirtai užveržkite suveržimo varžtus.

Atlaisvinkite suveržimo varžtus. Atitinkamai pakreipdami, nustatykite norimą kampą, tada patikimai užveržkite suveržimo varžtus.

► **Pav.11:** 1. Suveržimo varžtas

## Teigiamas kaištis

Teigiamas stabdiklis naudingas prirėikus greitai nustatyti nurodytam kampui. Pasukite teigiamą stabdiklį taip, kad ant jo esanti rodyklė būtų nukreipta į norimą įstrižojo pjovimo kampą (maždaug 22,5°/45°/60°). Atlaisvinkite svirtį ir kreipkite įrankio pagrindą, kol jis sustos. Padėtis, kurioje sustoja įrankio pagrindas, yra jūsų teigiamu stabdikliu nustatytas kampas. Nustatę įrankio pagrindą šioje padėtyje, priveržkite svirtį.

► **Pav.12:** 1. Teigiamas kaištis

## -1° įstrižųjų pjūvių darymas

Kad atliktumėte -1° įstrižąjį pjūvį, atlaisvinkite suveržimo varžtus ir pastumkite svirtis rodyklės kryptimi, kaip pavaizduota paveikslėlyje. Tada nustatykite -1° įstrižąjį kampą ir užveržkite suveržimo varžtus.

► **Pav.13:** 1. Svirtis

## Nutaiymas

Norėdami atlikti tiesius pjūvius, sulygiuokite pagrindo priekyje pažymėtą 0° padėtį su pjovimo linija. Norėdami atlikti įstrižuosius 45° pjūvius, su pjovimo linija sulygiuokite 45° padėtį.

► **Pav.14:** 1. Pjovimo linija (0° padėtis) 2. Pjovimo linija (45° padėtis)

## Lemputės įjungimas

**▲PERSPĖJIMAS:** Nežiūrėkite tiesiai į šviesą arba šviesos šaltinį.

Jeigu norite įjungti tik lempuotę, nepaleisdami įrankio, patraukite gaiduką, nepausdami atlaisvinimo mygtuko. Norėdami įjungti lempuotę veikiant įrankiui, paspauskite ir palaikykite atlaisvinimo mygtuką, tada patraukite gaiduką. Atleidus gaiduką, lempuotė užgesa po 10 sekundžių.

► **Pav.15:** 1. Lempuotė

**PASTABA:** Purvą nuo lemos objektyvo nuvalykite sausu skudurėliu. Būkite atsargūs, kad nesubraižytumėte lemos objektyvo, nes pablogės apšvietimas.

## Elektrinis stabdiklis

Šiame įrankyje įrengtas elektrinis peilio stabdiklis. Jeigu atleidus jungiklio svirtelę įrankiui nepavyksta greitai sustabdyti diskinio pjūklo disko, pristatykite jį į „Makita“ techninės priežiūros centrą, kad atliktų techninę priežiūrą.

**▲PERSPĖJIMAS:** Peilio stabdiklio sistema nėra peilio apsauginio įtaiso pakaitalas. **NIEKADA NENAUDOKITE ĮRANKIO BE NĖVEIKIANČIO PEILIO APSAUGINIO ĮTAISO. DĖL TO GALIMA SUNKIAI SUSIŽALOTI.**

## Elektroninė funkcija

Įrenginiais, turinčiais elektroninę funkciją, lengva naudotis dėl toliau nurodytų veikimo savybių.

### Tolygaus įjungimo funkcija

Tolygus įjungimas dėl nuslopinto įjungimo smūgio.

### Pastovių sūkių kontrolė

Elektroninė sūkių kontrolė pastoviems sūkiams užtikrinti. Galima tiksliai apdoroti paviršius, nes sukimosi greitis būna vienodas net esant didelei apkrovai.

## SURINKIMAS

**▲PERSPĖJIMAS:** Prieš darydami ką nors įrankiui visada patikrinkite, ar įrenginys išjungtas, o akumuliatorių kasetė – nuimta.

## Šešiabriaunio veržliarakčio laikymas

Nenaudojamą šešiabriaunį veržliarakčių laikykite taip, kaip parodyta paveikslėlyje, kad nepamestumėte.

► **Pav.16:** 1. Šešiakampis veržliaraktis

## Pagalbinio pagrindo montavimas

Sumontuokite pagalbinių pagrindą ir tvirtai priveržkite suveržimo varžtus, kaip parodyta paveikslėlyje. Visada naudokite įrankį su pagalbiniu pagrindu, nebent naudojate kreiptuvą.

► **Pav.17:** 1. Suveržimo varžtas 2. Pagalbinis pagrindas

## Diskinio pjūklo disko montavimas arba nuėmimas

**▲PERSPĖJIMAS:** Patikrinkite, ar sumontuoto apvalaus pjovimo disko dantys įrankio priekyje nukreipti aukštyn.

**▲PERSPĖJIMAS:** Apvaliam pjovimo diskui sumontuoti arba nuimti naudokite tik „MAKITA“ veržliarakčius.

1. Atlaisvinkite ant gylio kreiptuvo esančią svirtį ir slinkite pagrindą žemyn.

► **Pav.18:** 1. Svirtis

2. Sumontuokite vidinę jungę, žiedą (priklauso nuo valstybės), diskinio pjūklo diską, išorinę jungę ir šešiakampį varžtą. Sutapdinkite ant disko esančios rodyklės kryptį su ant įrankio esančia rodykle.

### Įrankis be žiedo

► **Pav.19:** 1. Šešiakampis varžtas 2. Išorinė jungė 3. Diskinio pjūklo diskas 4. Vidinė jungė 5. Rodyklė ant diskinio pjūklo disko 6. Rodyklė ant įrankio

### Įrankis su žiedu

► **Pav.20:** 1. Šešiakampis varžtas 2. Išorinė jungė 3. Diskinio pjūklo diskas 4. Žiedas 5. Vidinė jungė 6. Rodyklė ant diskinio pjūklo disko 7. Rodyklė ant įrankio

3. Iki galo nuspauskite ašies fiksatorių, kad diskinio pjūklo diskas negalėtų sukintis, ir, naudodami šešiabriaunį raktą, atsukite šešiakampį varžtą.

► **Pav.21:** 1. Ašies fiksatorius 2. Šešiabriaunis raktas 3. Atlaisvinti 4. Priveržti

Norėdami nuimti diskinio pjūklo diską, atlikite įrengimo veiksmus atvirkštine tvarka.

## Įrankis su vidine jungę, skirta pjovimo diskui su kitokia nei 15,88 mm skersmens vidine anga

Vienoje vidinės jungės pusėje yra vienokio skersmens iškyša, o kitoje, kitokio skersmens iškyša. Pasirinkite tinkamą pusę, kurios iškyša idealiai tinka vidinei pjovimo disko angai. Dėkite vidinę jungę ant tvirtinimo veleno taip, kad vidinės jungės tinkamos pusės iškyša būtų nukreipta į išorę, paskui dėkite pjovimo diską ir išorinę jungę.

- **Pav.22:** 1. Tvirtinimo velenas 2. Vidinė jungė  
3. Diskinio pjūklo diskas 4. Išorinė jungė  
5. Varžtas su šešiabriaune lizdine galvute

**▲JSPĖJIMAS: PATIKIMAI PRIVERŽKITE VARŽTĄ SU ŠEŠIABRIAUNE LIZDINE GALVUTE, SUKDAMI JĮ PAGAL LAIKRODŽIO RODYKLĘ. Tačiau neveržkite varžto per jėgą. Nuslydus rankai nuo šešiabriaunio rakto, galima susižaloti.**

**▲JSPĖJIMAS: Įsitikinkite, ar į išorę nukreipta vidinės jungės iškyša „a“ idealiai atitinka pjovimo disko angą „a“.** Uždėjus diską netinkama puse, gali atsirasti pavojinga vibracija.

## Įrankis su vidine jungę, skirta pjovimo diskui su 15,88 mm skersmens vidine anga (pritaikyta konkrečiai šaliai)

Dėkite vidinę jungę ant tvirtinimo veleno taip, kad įdubusi vidinės jungės pusė būtų nukreipta į išorę, tada uždėkite pjovimo diską (jei reikia, uždėję žiedą), išorinę jungę ir įsukite varžtą su šešiabriaune lizdine galvute.

### Įrankis be žiedo

- **Pav.23:** 1. Tvirtinimo velenas 2. Vidinė jungė  
3. Diskinio pjūklo diskas 4. Išorinė jungė  
5. Varžtas su šešiabriaune lizdine galvute

### Įrankis su žiedu

- **Pav.24:** 1. Tvirtinimo velenas 2. Vidinė jungė  
3. Diskinio pjūklo diskas 4. Išorinė jungė  
5. Varžtas su šešiabriaune lizdine galvute  
6. Žiedas

**▲JSPĖJIMAS: PATIKIMAI PRIVERŽKITE VARŽTĄ SU ŠEŠIABRIAUNE LIZDINE GALVUTE, SUKDAMI JĮ PAGAL LAIKRODŽIO RODYKLĘ. Tačiau neveržkite varžto per jėgą. Nuslydus rankai nuo šešiabriaunio rakto, galima susižaloti.**

**▲JSPĖJIMAS: Jei diskui ant veleno uždėti reikalingas žiedas, visada patikrinkite, ar tarp vidinės ir išorinės jungių uždėtas žiedas, tinkantis ketinamo naudoti disko veleno angai. Naudojant netinkamo skersmens veleno angai skirtą žiedą, diskas gali būti sumontuotas netinkamai, būti per laisvas ir stipriai vibruoti, todėl galima nesuvaldyti įrankio ir sunkiai susižaloti.**

## Disko apsauginio gaubto valymas

Keisdami apvalų pjovimo diską, būtina išvalykite ir viršutiniame bei apatiniame apsauginiuose disko gaubtuose susikaupusias pjuvenas, kaip nurodyta techninės priežiūros skyriuje. Visgi prieš kiekvieną naudojimą būtina patikrinkite, ar tinkamai veikia apatinis apsauginis gaubtas.

## Dulkių siurblio prijungimas

### Pasirenkamas priedas

Jei norite pjauti užtikrindami švarą, prie įrankio prijunkite „Makita“ vakuuminį valymo įrenginį. Vakuuminio valymo įrenginio žarną prie dulkių ištraukimo antgalio prijunkite, naudodami 24 priekinius antgalius.

- **Pav.25:** 1. Vakuuminio valymo įrenginio žarna 2. 24 priekiniai antgaliai 3. Dulkių surenkamasis antgalis

## Dulkių ištraukimo antgalio kampų reguliavimas

Dulkių ištraukimo antgalio kampą galima reguliuoti sukant dulkių ištraukimo antgalį.

Kai įrankį naudojate neprijungę vakuuminio valymo įrenginio, pakreipkite dulkių ištraukimo antgalį žemyn, kad į operatorių nelėktų pjuvenos.

Kai įrankį naudojate prijungę vakuuminio valymo įrenginį, pakreipkite dulkių ištraukimo antgalį į viršų, kad vakuuminio valymo įrenginio žarna neišstrigtų ruošinyje arba kreiptuве.

- **Pav.26:** 1. Dulkių ištraukimo antgalis

## NAUDOJIMAS

Šis įrankis skirtas tik medienos gaminiams pjauti. Dėl informacijos apie tinkamus diskinio pjūklo diskus, skirtus naudoti pjautinai medžiagai, žr. žiniatinklio svetainėje arba kreipkitės į vietinį „Makita“ prekybos atstovą.

Nenaudokite įrankio be pagalbinio pagrindo, nebent naudojate kreiptuве.

## Pjūklo disko apsauginio įtaiso veikimas

Išimkite akumuliatorių.

Išstrižąjį kampą nustatykite ties 0°, ranka iki galo traukite apatinį apsauginį įtaisą ir atleiskite. Apatinis apsauginis įtaisas veikia tinkamai, jei:

- yra įtrauktas virš pagrindo be jokių kliūčių ir
- automatiškai grįžta ir paliečia stabdiklį.

- **Pav.27:** 1. Viršutinis apsauginis įtaisas 2. Apatinis apsauginis įtaisas 3. Pagrindas  
4. Stabdiklis 5. Atidaryti 6. Uždaryti

Jei apatinis apsauginis įtaisas veikia netinkamai, patikrinkite, ar viršutiniame ir apatiniame apsauginiame įtaise nesusikaupė pjuvenų. Jei apatinis apsauginis įtaisas veikia netinkamai net ir pašalinus pjuvenas, pasirūpinkite, kad įrankio techninė priežiūra būtų atlikta „Makita“ techninės priežiūros centre.

## Pjovimas

**⚠ PERSPĖJIMAS:** Pjaudami dėvėkite kaukę nuo dulkių.

**⚠ PERSPĖJIMAS:** Atsargiai tiesiai traukite įrankį į priekį. Traukiant jėga arba sukant įrankį, variklis gali perkaisti, atsirasiti pavojinga atatranka, kuri kelia pavojų sunkiai susižeisti.

**PASTABA:** Kai akumuliatoriaus kasetė yra šalta, įrankis gali veikti ne visu pajėgumu. Tokiu atveju kurį laiką naudokite įrankį, pavyzdžiui, nedideliems pjovimo darbams, kol akumuliatoriaus kasetė sušils iki kambario temperatūros. Tuomet įrankis galės veikti visu pajėgumu.

### ► Pav.28

Tvirtai laikykite įrankį. Įrankyje įtaisytos priekinė ir galinė rankenos. Norėdami tvirtai laikyti įrankį, laikykite už abiejų rankenų. Jei pjūklą laikysite abiem rankomis, diskinio pjūklo diskas negalės jį įpjauti. Padėkite įrankio pagrindą ant ruošinio, kurį pjausite, taip, kad diskinio pjūklo diskas neliestų ruošinio. Įjunkite įrankį ir palaukite, kol diskinio pjūklo diskas pradės sukstis visu greičiu. Tada tiesiog stumkite įrankį ruošinio paviršiumi į priekį, laikydami lygiai ir tolygiai stumdami, kol baigsite pjauti. Kad pjūviai būtų tiesūs, išlaikykite tiesią pjovimo liniją ir tolygiai stumkite įrankį. Jei pjaudami nukrypote nuo numatytos pjovimo linijos, nebandykite pasukti arba jėga gražinti įrankio į pjovimo liniją. Taip darant diskinio pjūklo diskas gali pradėti strigti, sukelti pavojingą atatranką ir sunkiai sužaloti. Atleiskite jungiklį, palaukite, kol diskinio pjūklo diskas sustos, ir atitraukite įrankį. Sulygiuokite įrankį pagal naują pjovimo liniją ir vėl pradėkite pjauti. Stenkitės išvengti tokios padėties, kurioje į įrenginio valdytoją nuo pjūklo lekia atplaišos ir medžio dulksės. Kad išvengtumėte sužalojimų, užsidėkite apsauginius akinius.

**PASTABA:** Atiekant skerspjūvius ir pan., kartais apatinė apsauga juda sunkiai. Tokiu atveju atitraukimo svirtelę pakelkite apatinę apsaugą, kad pradėtumėte pjovimą ir, kai tik diskas įpjauna medžiagą, atitraukite atitraukimo svirtelę.

### ► Pav.29: 1. Atitraukimo svirtelė

## Pagalbinis pagrindas (kreiptuvas)

**⚠ PERSPĖJIMAS:** Prieš naudodami patikrinkite, ar pagalbinis pagrindas (kreiptuvas) nustatytas į tinkamą padėtį. Netinkamai prijungus gali susidaryti pavojinga atatranka.

Naudodami pagalbinį pagrindą kaip kreiptuvą, galite atlikti labai tikslius tiesiuosius pjūvius. Atlaisvinkite suveržimo varžtus ir pastumkite pagalbinį pagrindą iš įrankio, tada įkiškite jį apverstą.

### ► Pav.30: 1. Suveržimo varžtas 2. Pagalbinis pagrindas

Tiesiog priglauskite pagalbinio pagrindo kreiptuvą prie ruošinio šono ir suveržimo varžtais užtvirtinkite jį į tokią padėtį. Šis įrenginys taip pat leidžia atlikti vienodo pločio pjūvius.

### ► Pav.31: 1. Suveržimo varžtas 2. Pagalbinis pagrindas

## Kreiptuvas

### Pasirenkamas priedas

**⚠ PERSPĖJIMAS:** Prieš darydami ką nors įrankiui visada patikrinkite, ar įrenginys išjungtas, o akumuliatorių kasetė – nuimta.

**PASTABA:** Kai naudojate kreiptuvą, išimkite pagalbinį pagrindą.

Padėkite įrankį ant galinės kreiptuvo dalies. Pasukite du reguliavimo sraigtus įrankio pagrinde taip, kad įrankis slystų sklandžiai, nebarškėdamas. Tvirtai laikykite įrankį už priekinės ir galinės rankenų. Įdėkite akumuliatorių. Įjunkite įrankį ir perpjaukite apsaugą nuo atplaišų išilgai per visą ilgį. Dabar apsaugo nuo atplaišų kraštas atitiks pjovimo kraštą.

### ► Pav.32: 1. Reguliavimo varžtai

Kai atliekate įstrižuosius pjūvius, naudodami kreiptuvą, paslinkite stumdomąją svirtį taip, kad įrankis nenuvirstų. Pastumkite stumdomąją svirtį ant įrankio pagrindo rodyklės kryptimi taip, kad ji patektų į įpjautą griovelį kreiptuve.

### ► Pav.33: 1. Stumdomoji svirtis

## BELaidžio AKTYVINIMO FUNKCIJA

### Ką galima padaryti su belaidžio aktyvinimo funkcija?

Belaidžio aktyvinimo funkcija leidžia dirbti švariai ir patogiai. Pridėta vakuuminį valymo įrenginį prijungus prie įrankio, galite automatiškai jį paleisti įjungdami įrankį.

### ► Pav.34

Norėdami naudoti belaidžio aktyvinimo funkciją, pasi-ruoškite šiuos daiktus:

- belaidį bloką (papildomas priedas);
- vakuuminį valymo įrenginį, kuris palaiko belaidžio aktyvinimo funkciją.

Toliau pateikiama belaidžio aktyvinimo funkcijos nustatymo apžvalga. Kiekvienoje dalyje rasite detalias procedūras.

1. Belaidžio bloko įdėjimas
2. Įrankio nustatymas vakuuminiame valymo įrenginyje
3. Belaidžio aktyvinimo funkcijos paleidimas

## Belaidžio bloko įdėjimas

### Pasirenkamas priedas

**▲ PERSPĖJIMAS:** Įdėdami belaidį bloką, padėkite jį ant stabilaus plokščio paviršiaus.

**PASTABA:** Prieš įdėdami belaidį bloką, nuo įrankio nuvalykite dulkes ir purvą. Patekusius į belaidžio bloko angą, dulkęs arba purvas gali sukelti gedimą.

**PASTABA:** Norėdami išvengti gedimo, kurį gali sukelti statinis elektros krūvis, prieš paimdami belaidį bloką palieskite medžiagą, per kurią išeina statinis elektros krūvis, pavyzdžiui, metalinę įrankio dalį.

**PASTABA:** Įdėdami belaidį bloką, visada įsitinkite, kad dedate reikiama kryptimi ir kad dangtelis iki galo uždarytas.

1. Atidarykite įrankio dangtelį, kaip parodyta paveikslėlyje.

► **Pav.35:** 1. Dangtelis

2. Įdėkite belaidį bloką į angą ir uždarykite dangtelį.

Įdėdami belaidį bloką, iškyšas sulygiuokite su angos išėmomis.

► **Pav.36:** 1. Belaidis blokas 2. Iškyša 3. Dangtelis 4. Išėma

Norėdami išimti belaidį bloką, lėtai atidarykite dangtelį. Traukiant dangtelį, jo galinėje pusėje esantys kabliukai iškels belaidį bloką.

► **Pav.37:** 1. Belaidis blokas 2. Kabliukas 3. Dangtelis

Iššėmė belaidį bloką laikykite pridėtame dėkle arba nuo statinio krūvio apsaugotoje taroje.

**PASTABA:** Išimdami belaidį bloką visada naudokitės galinėje dangtelio pusėje esančiais kabliukais. Jei kabliukai nepagauna belaidžio bloko, iki galo uždarykite dangtelį ir vėl lėtai jį atidarykite.

## Įrankio nustatymas vakuuiniame valymo įrenginyje

**PASTABA:** Įrankiui nustatyti reikalingas „Makita“ vakuuminis valymo įrenginys, palaikantis belaidžio aktyvinimo funkciją.

**PASTABA:** Prieš pradėdami nustatyti įrankį, įdėkite jį į belaidį bloką.

**PASTABA:** Nustatydami įrankį, netraukite gaiduko ir neįjunkite vakuuminio valymo įrenginio maitinimo.

**PASTABA:** Taip pat žr. vakuuminio valymo įrenginio naudojimo instrukciją.

Jei norite aktyvinti vakuuminį valymo įrenginį įrankio jungikliu, prieš tai nustatykite įrankį.

1. Įdėkite akumuliatorių į vakuuminį valymo įrenginį ir įrankį.

2. Vakuuminio valymo įrenginio parngties jungiklį nustatykite ties „AUTO“.

► **Pav.38:** 1. Parngties jungiklis

3. 3 sekundes spauskite belaidžio aktyvinimo mygtuką ant vakuuminio valymo įrenginio, kol belaidžio aktyvinimo lemputė ims mirksėti žaliai. Tada tokiu pat būdu paspauskite belaidžio aktyvinimo mygtuką ant įrankio.

► **Pav.39:** 1. Belaidžio aktyvinimo mygtukas  
2. Belaidžio aktyvinimo lemputė

Jei vakuuminis valymo įrenginys ir įrankis sėkmingai susieti, belaidžio aktyvinimo lemputės 2 sekundes švies žaliai ir ims mirksėti mėlynai.

**PASTABA:** Belaidžio aktyvinimo lemputės nustoja mirksėti žaliai po 20 sekundžių. Kai mirksi valymo įrenginio belaidžio aktyvinimo lemputė, paspauskite belaidžio aktyvinimo mygtuką ant įrankio. Jei belaidžio aktyvinimo lemputė nemirksi žaliai, trumpai paspauskite belaidžio aktyvinimo mygtuką ir vėl palaikykite jį nuspaudę.

**PASTABA:** Jei norite nustatyti du ar daugiau įrankių viename vakuuiniame valymo įrenginyje, nustatykite juos po vieną.

## Belaidžio aktyvinimo funkcijos paleidimas

**PASTABA:** Prieš belaidį aktyvinimą nustatykite įrankį vakuuiniame valymo įrenginyje.

**PASTABA:** Taip pat žr. vakuuminio valymo įrenginio naudojimo instrukciją.

Nustačius įrankį vakuuiniame valymo įrenginyje, jis automatiškai įsijungs įjungus įrankį.

1. Įdėkite belaidį bloką į įrankį.

2. Sujunkite vakuuminio valymo įrenginio žarną su įrankiu.

► **Pav.40**

3. Vakuuminio valymo įrenginio parngties jungiklį nustatykite ties „AUTO“.

► **Pav.41:** 1. Parngties jungiklis

4. Trumpai paspauskite belaidžio aktyvinimo mygtuką ant įrankio. Belaidžio aktyvinimo lemputė mirksės mėlynai.

► **Pav.42:** 1. Belaidžio aktyvinimo mygtukas  
2. Belaidžio aktyvinimo lemputė

5. Įjunkite įrankį. Patikrinkite, ar su įrankiu kartu veikia ir vakuuminis valymo įrenginys.

Norėdami sustabdyti belaidį vakuuminio valymo įrenginio aktyvinimą, paspauskite belaidžio aktyvinimo mygtuką ant įrankio.

**PASTABA:** Nenaudojant 2 valandas, belaidžio aktyvinimo lemputė ant įrankio nustos mirksėti mėlynai. Šiuo atveju parngties jungiklį ant vakuuminio valymo įrenginio nustatykite ties „AUTO“ ir vėl paspauskite belaidžio aktyvinimo mygtuką ant įrankio.

**PASTABA:** Vakuuminis valymo įrenginys ima veikti ir sustoja šiek tiek uždelsęs. Praeina šiek tiek laiko, kol vakuuminis valymo įrenginys nustato, kad buvo panaudotas įrankio jungiklis.










**PASTABA:** Belaidžio bloko perdavimo atstumas gali skirtis priklausomai nuo vietos ir aplinkybių.

**PASTABA:** Kai viename vakuuiniame valymo įrenginyje užregistruoti du ar daugiau įrankių, vakuuminis valymo įrenginys gali imti veikti net ir neįjungus įrankio, nes kitas naudotojas naudoja belaidžio aktyvinimo funkciją.

## Belaidžio aktyvinimo lemputės būsenos aprašymas

### ► Pav.43: 1. Belaidžio aktyvinimo lemputė

Belaidžio aktyvinimo lemputė rodo belaidžio aktyvinimo funkcijos būseną. Lemputės būsenos reikšmės pateiktos tolesnėje lentelėje.

Būsena	Belaidžio aktyvinimo lemputė				Aprašymas
	Spalva	 Šviečia	 Mirksi	Trukmė	
Parengtis	Mėlyna			2 valandos	Galimas belaidis vakuuminio valymo įrenginio aktyvinimas. Nenaudojant 2 valandas lemputė automatiškai užges.
				Kai įrankis yra naudojamas.	Galimas belaidis vakuuminio valymo įrenginio aktyvinimas ir įrankis yra naudojamas.
Įrankio nustatymas	Žalia			20 sekundžių	Pasirengęs nustatyti įrankį. Laukiama, kol įrankis bus nustatytas vakuuminiame valymo įrenginyje.
				2 sekundės	Įrankis nustatytas. Belaidžio aktyvinimo lemputė ims mirksėti mėlynai.
Įrankio nustatymo atšaukimas	Raudona			20 sekundžių	Pasiruošęs atšaukti įrankio nustatymą. Laukiama, kol įrankio nustatymas bus atšauktas vakuuminiame valymo įrenginyje.
				2 sekundės	Įrankio nustatymas atšauktas. Belaidžio aktyvinimo lemputė ims mirksėti mėlynai.
Kita	Raudona			3 sekundės	Belaidis blokas yra maitinamas ir ima veikti belaidžio aktyvinimo funkcija.
	Nešviečia	-		-	Belaidis vakuuminio valymo įrenginio aktyvinimas sustabdytas.

## Įrankio nustatymo vakuuminiame valymo įrenginyje atšaukimas

Norėdami atšaukti įrankio nustatymą vakuuminiame valymo įrenginyje, atlikite šią procedūrą.

1. Įdėkite akumuliatorius į vakuuminį valymo įrenginį ir įrankį.

2. Vakuuminio valymo įrenginio parengties jungiklį nustatykite ties „AUTO“.

► Pav.44: 1. Parengties jungiklis

3. 6 sekundes spauskite belaidžio aktyvinimo mygtuką ant vakuuminio valymo įrenginio. Belaidžio aktyvinimo lemputė mirksi žaliai ir tampa raudona. Paskui tokiu pat būdu paspauskite belaidžio aktyvinimo mygtuką ant įrankio.

► Pav.45: 1. Belaidžio aktyvinimo mygtukas  
2. Belaidžio aktyvinimo lemputė

Jei atšaukti pavyko, belaidžio aktyvinimo lemputės 2 sekundes švies raudonai ir ims mirksėti mėlynai.

**PASTABA:** Belaidžio aktyvinimo lemputės nustoja mirksėti raudonai po 20 sekundžių. Kai mirksi valymo įrenginio belaidžio aktyvinimo lemputė, paspauskite belaidžio aktyvinimo mygtuką ant įrankio. Jei belaidžio aktyvinimo lemputė nemirksi raudonai, trumpai paspauskite belaidžio aktyvinimo mygtuką ir vėl palaikykite jį nuspaudę.

## Belaidžio aktyvinimo funkcijos trikčių šalinimas

Prieš kreipdamiesi dėl remonto darbų, pirmiausia patikrinkite gedimus patys. Kilus problemų, apie kurias nepaaiškinta vartotojo vadove, nemėginkite ardyti įrankio. Kreipkitės į įgaliotuosius „Makita“ techninės priežiūros centrus, kuriuose remontui visuomet naudojamos originalios „Makita“ keičiamosios dalys.

Neįprasta būklė	Tikėtina priežastis (triktis)	Ištaisomoji priemonė
Belaidžio aktyvinimo lemputė nešviečia arba nemirksi.	Belaidis blokas neįdėtas į įrankį. Belaidis blokas netinkamai įdėtas į įrankį.	Taisyklingai įdėkite belaidį bloką.
	Belaidžio bloko kontaktas ir (arba) anga yra purvini.	Švelniai nuvalykite dulkes ir purvą nuo belaidžio bloko kontakto ir išvalykite angą.
	Belaidžio aktyvinimo mygtukas ant įrankio nebuvo paspaustas.	Trumpai paspauskite belaidžio aktyvinimo mygtuką ant įrankio.
	Vakuuminio valymo įrenginio parengties jungiklis nenustatytas ties „AUTO“.	Vakuuminio valymo įrenginio parengties jungiklį nustatykite ties „AUTO“.
	Nėra maitinimo	Prijunkite įrankio ir vakuuminio valymo įrenginio maitinimą.
Nepavyksta nustatyti įrankio / atšaukti jo nustatymo.	Belaidis blokas neįdėtas į įrankį. Belaidis blokas netinkamai įdėtas į įrankį.	Taisyklingai įdėkite belaidį bloką.
	Belaidžio bloko kontaktas ir (arba) anga yra purvini.	Švelniai nuvalykite dulkes ir purvą nuo belaidžio bloko kontakto ir išvalykite angą.
	Vakuuminio valymo įrenginio parengties jungiklis nenustatytas ties „AUTO“.	Vakuuminio valymo įrenginio parengties jungiklį nustatykite ties „AUTO“.
	Nėra maitinimo	Prijunkite įrankio ir vakuuminio valymo įrenginio maitinimą.
	Netinkamai atlikta procedūra	Trumpai paspauskite belaidžio aktyvinimo mygtuką ir iš naujo atlikite įrankio nustatymo / atšaukimo procedūras.
	Įrankis ir vakuuminis valymo įrenginys yra toli vienas nuo kito (už perdavimo diapazono ribų).	Padėkite įrankį ir vakuuminį valymo įrenginį arčiau vienas kito. Didžiausias perdavimo atstumas yra maždaug 10 m, bet jis gali skirtis pagal aplinkybes.
	Prieš baigiant įrankio registravimą / atšaukimą: - įjungiamas įrankio jungiklis arba - paspaudžiamas vakuuminio valymo įrenginio maitinimo mygtukas.	Trumpai paspauskite belaidžio aktyvinimo mygtuką ir iš naujo atlikite įrankio nustatymo / atšaukimo procedūras.
	Neatliktos įrankio nustatymo procedūros įrankyje arba vakuuiniame valymo įrenginyje.	Tuo pačiu metu atlikite įrankio nustatymo procedūras įrankyje ir vakuuiniame valymo įrenginyje.
	Kitų prietaisų, generuojančių didelio intensyvumo radijo bangas, keliama radijo bangų trikdžiai.	Patraukite įrankį ir vakuuminį valymo įrenginį toliau nuo tokių prietaisų kaip belaidžio ryšio įrenginiai ir mikrobangų krosnelės.
	Vakuuminis valymo įrenginys neveikia įjungus įrankio jungiklį.	Belaidis blokas neįdėtas į įrankį. Belaidis blokas netinkamai įdėtas į įrankį.
Belaidžio bloko kontaktas ir (arba) anga yra purvini.		Švelniai nuvalykite dulkes ir purvą nuo belaidžio bloko kontakto ir išvalykite angą.
Belaidžio aktyvinimo mygtukas ant įrankio nebuvo paspaustas.		Trumpai paspauskite belaidžio aktyvinimo mygtuką ir patikrinkite, ar belaidžio aktyvinimo lemputė mirksi mėlynai.
Vakuuminio valymo įrenginio parengties jungiklis nenustatytas ties „AUTO“.		Vakuuminio valymo įrenginio parengties jungiklį nustatykite ties „AUTO“.
Vakuuiniame valymo įrenginyje yra nustatyta daugiau kaip 10 įrankių.		Iš naujo nustatykite įrankį. Jei vakuuiniame valymo įrenginyje nustatyta daugiau kaip 10 įrankių, anksčiausiai nustatytas įrankis bus automatiškai atšauktas.
Vakuuminis valymo įrenginys ištrynė visus įrankių nustatymus.		Iš naujo nustatykite įrankį.
Nėra maitinimo		Prijunkite įrankio ir vakuuminio valymo įrenginio maitinimą.
Įrankis ir vakuuminis valymo įrenginys yra toli vienas nuo kito (už perdavimo diapazono ribų).		Padėkite įrankį ir vakuuminį valymo įrenginį arčiau vienas kito. Didžiausias perdavimo atstumas yra maždaug 10 m, bet jis gali skirtis pagal aplinkybes.
Kitų prietaisų, generuojančių didelio intensyvumo radijo bangas, keliama radijo bangų trikdžiai.		Patraukite įrankį ir vakuuminį valymo įrenginį toliau nuo tokių prietaisų kaip belaidžio ryšio įrenginiai ir mikrobangų krosnelės.
Vakuuminis valymo įrenginys veikia įrankiui neveikiant.		Kiti naudotojai naudoja belaidį vakuuminio valymo įrenginio aktyvinimą su savo įrankiais.



## TECHNINĖ PRIEŽIŪRA

**▲PERSPĖJIMAS:** Visuomet įsitikinkite, ar įrankis yra išjungtas ir akumuliatoriaus kasėtė yra nuimta prieš atlikdami apžiūrą ir priežiūrą.

**▲PERSPĖJIMAS:** Išvalykite viršutinį ir apatinį apsauginius gaubtus, kad neliktų susikaupusių pjūvenų, kurios gali trukdyti veikti apatinei apsaugos sistemai. Nešvari apsaugos sistema gali tinkamai neveikti ir dėl to galima sunkiai susižaloti. Norint išvalyti efektyviausiai, reikia naudoti suslęgtą orą. Pučiant pjūvenas iš apsauginių gaubtų, būtina naudoti tinkamą akių ir kvėpavimo organų apsaugą.

**▲PERSPĖJIMAS:** Po kiekvieno naudojimo nuvalykite pjovimo metu susidariusias dulkes nuo įrankio. Smulkios pjovimo metu susidariusios dulksės gali patekti į įrankį ir sukelti gedimą arba gaisrą.

**PASTABA:** Niekada nenaudokite gazolino, benzino, tirpiklio, spirito arba panašių medžiagų. Gali atsirasti išblukimų, deformacijų arba įtrūkimų.

Kad gaminyje būtų SAUGUS ir PATIKIMAS, jį taisyti, apžiūrėti ar vykdyti bet kokią kitą priežiūrą ar derinimą turi įgaliotasis kompanijos „Makita“ techninės priežiūros centras; reikia naudoti tik kompanijos „Makita“ pagamintą atsarginę dalis.

### Pjovimo 0° ar 45° kampu tikslumo reguliavimas

**PASTABA:** Nereguliuokite svirčių –1° įstrižajam kampui, nustatydami 0° kampo pjūvio tikslumą.

**PASTABA:** Nereguliuokite teigiamo kaiščio 22,5° įstrižajam kampui arba 60° nuožulniam kampui, nustatydami 45° kampo pjūvio tikslumą.

Šis reguliavimas atliktas gamykloje. Jei įrankis išsireguliuavo, jį galite vėl sureguliuoti atlikdami toliau aprašytą procedūrą.

1. Atlaisvinkite įrankio priekyje ir gale esančius suveržimo varžtus, kad būtų galima pakeisti įstrižąjį kampą. Jeigu ruošiatės reguliuoti pjovimo 45° kampu tikslumą, nustatykite teigiamą kaištį į pjovimo įstrižų 45° kampu padėtį.

► **Pav.46:** 1. Suveržimo varžtas 2. Teigiamas kaištis

2. Naudodami trikampio taisyklę ir sukdami reguliavimo varžtą šešiakampi raktu, nustatykite pagrindą stačiu ar 45° kampu diskinio pjūklų disko atžvilgiu. 0° kampui reguliuoti galite naudoti kvadrato taisyklę.

► **Pav.47:** 1. Trikampė liniuotė

► **Pav.48:** 1. 0° kampo reguliavimo varžtas 2. 45° kampo reguliavimo varžtas

3. Priveržkite suveržimo varžtus ir pabandykite pajauti, kad patikrintumėte, ar gautas norimas kampas.

## Gylio kreiptuvo reguliavimas

Jei pagrindas tolygiai neslysta į viršų arba žemyn, gali būti, kad gylio kreiptuvas yra pakreiptas. Gylio kreiptuvą galite sureguliuoti toliau nurodytu būdu.

1. Nustatykite pagrindą į statmeną padėtį, o pjovimo gylį parinkite giliausią.
2. Atlaisvinkite gylio kreiptuvo reguliavimo sraigtus. Gylio kreiptuvas automatiškai sureguliuoja savo padėtį.
3. Užveržkite gylio kreiptuvo reguliavimo varžtus.
4. Lygiagretumą sureguliuokite pagal lygiagretumo skyrių.

► **Pav.49:** 1. Gylio kreiptuvo varžtų reguliavimas

## Lygiagretumo reguliavimas

**▲PERSPĖJIMAS:** Tiksliai nustatykite lygiagretumą. Antraip diskinio pjūklų diskas gali įpjauti kreiptuvą – sugadintas kreiptuvas gali sužaloti.

Šis reguliavimas atliktas gamykloje. Jei įrankis išsireguliuavo, jį galite vėl sureguliuoti atlikdami toliau aprašytą procedūrą.

1. Nustatykite įrankį į maksimalų pjovimo gylį.
2. Patikrinkite, ar visos svirtys ir varžtai yra priveržti.
3. Atsukite paveiksle parodytus varžtus.
4. Atidarę apatinį apsauginį įtaisą, pastumkite užpakalinę pagrindo dalį taip, kad atstumai A ir B taptų lygūs.

► **Pav.50:** 1. Varžtas 2. Pagrindas

5. Priveržkite varžtus ir pabandykite pajauti, kad patikrintumėte, ar diskas lygiagretus.

## PASIRENKAMI PRIEDAI

**▲PERSPĖJIMAS:** Šiuos papildomus priedus arba įtaisus rekomenduojama naudoti su šioje instrukcijoje nurodytu „Makita“ bendrovės įrankiu. Naudojant bet kokius kitus papildomus priedus arba įtaisus, gali kilti pavojus sužeisti žmones. Naudokite tik nurodytam tikslui skirtus papildomus priedus arba įtaisus.

Jeigu norite daugiau sužinoti apie tuos priedus, kreipkitės į artimiausią „Makita“ techninės priežiūros centrą.

- Apvalus pjovimo diskas
- Pagalbinis pagrindas
- Kreipiamoji juosta
- Įstrižo pjūvio kreiptuvas
- Veržtuvas
- Lakštas
- Guminis lakštas
- Padėties nustatymo lakštas
- Šešiakampis veržliaraktis
- Priekinis antgalis Nr. 24
- Belaidis blokas
- Originalus „Makita“ akumuliatorius ir įkroviklis

**PASTABA:** Kai kurie sąrašė esantys priedai gali būti pateikti įrankio pakuotėje kaip standartiniai priedai. Jie įvairiose šalyse gali skirtis.

## TEHNILISED ANDMED

Mudel:		HS011G		
Tera läbimõõt		255 mm	260 mm	270 mm
Max lõikesügavus	0° juures	94 mm	97 mm	101 mm
	45° kaldserva juures	65 mm	68 mm	71 mm
	60° kaldserva juures	45 mm	48 mm	51 mm
Koormuseta kiirus		3 500 min <sup>-1</sup>		
Üldpikkus		453 mm		
Nimipinge		Alalisvool 36 V - 40 V max		
Netokaal		5,5 - 6,7 kg		

- Meie pideva uuringu- ja arendusprogrammi tõttu võidakse tehnilisi andmeid muuta ilma sellest ette teatamata.
- Tehnilised andmed ja akukassett võivad riigiti erineda.
- Kaal võib erineda olenevalt lisaseadistest, kaasa arvatud akukassetist. Kergeim ja raskeim kombinatsioon EPTA-protseduuri 01/2014 kohaselt on toodud tabelis.

### Sobiv akukassett ja laadija

Akukassett	BL4020 / BL4025 / BL4040 / BL4050F* / BL4080F* *: Soovituslik aku
Laadija	DC40RA / DC40RB / DC40RC

- Mõned eespool loetletud akukassetid ja -laadijad ei pruugi olla teie riigis saadaval.

**⚠ HOIATUS:** Kasutage ainult ülalpool loetletud akukassette ja laadureid. Muude akukassetide ja laadurite kasutamine võib tekitada vigastusi ja/või tulekahju.

### Kavandatud kasutus

Tööriist on ette nähtud puidust piki- ja ristsuunaliste sirgjooneliste lõigete ja erineva nurga all faaside lõikamiseks tihedas kokkupuutes töödeldava detailiga.

### Müra

Tüüpiline A-korrigeeritud müratase, määratud standardi EN62841-2-5 kohaselt:

Helirõhutase ( $L_{pA}$ ): 93 dB (A)

Helivõimsuse tase ( $L_{WA}$ ): 104 dB (A)

Määramatus (K): 3 dB (A)

**MÄRKUS:** Deklareeritud müra väärtust (väärtuseid) on mõõdetud kooskõlas standardse katsemeetodiga ning seda võib kasutada ühe seadme võrdlemiseks teisega.

**MÄRKUS:** Deklareeritud müra väärtust (väärtuseid) võib kasutada ka mürataseme esmaseks hindamiseks.

**⚠ HOIATUS:** Kasutage kõrvakaitsmeid.

**⚠ HOIATUS:** Müratase võib elektritööriista tegelikkuses kasutamise ajal erineda deklareeritud väärtust(t)est olenevalt tööriista kasutusviisidest ja eriti töödeldavast toorikust.

**⚠ HOIATUS:** Rakendage operaatori kaitsmiseks kindlasti piisavaid ohutusabinõusid, mis põhinevad hinnangulisel müratasemel tegelikus tööolukorras (võttes arvesse tööperioodi kõiki osasid, näiteks korrad, kui seade lülitatakse välja ja seade töötab tühikäigul, lisaks tööajale).

### Vibratsioon

Vibratsiooni koguväärtus (kolmeteljeliste vektorite summa) määratud standardi EN62841-2-5 kohaselt:

Töörežiim: puidu saagimine

Vibratsiooniheide ( $a_{h,W}$ ): 2,5 m/s<sup>2</sup> või vähem

Määramatus (K): 1,5 m/s<sup>2</sup>

**MÄRKUS:** Deklareeritud vibratsiooni koguväärtust (-väärtuseid) on mõõdetud kooskõlas standardse katsemeetodiga ning seda võib kasutada ühe seadme võrdlemiseks teisega.

**MÄRKUS:** Deklareeritud vibratsiooni koguväärtust (-väärtuseid) võib kasutada ka mürataseme esmaseks hindamiseks.

**⚠️HOIATUS:** Vibratsioonitase võib elektritööriista tegelikkuses kasutamise ajal erineda deklareeritud väärtus(t)est olenevalt tööriista kasutusviisidest ja eriti töödeldavast toorikust.

**⚠️HOIATUS:** Rakendage operaatori kaitsmiseks kindlasti piisavaid ohutusabinõusid, mis põhinevad hinnangulisel müratasemel tegelikus töösihtuolukorras (võttes arvesse tööperioodi kõiki osasid, näiteks korrad, kui seade lülitatakse välja ja seade töötab tühikäigul, lisaks tööajale).

## EÜ vastavusdeklaratsioon

### AINULT EUROOPA RIIKIDE PUHUL

EÜ vastavusdeklaratsioon sisaldub käesoleva juhendi Lisas A.

## OHUTUSHOIATUSED

### Üldised elektritööriistade ohutushoiatused

**⚠️HOIATUS:** Lugege läbi kõik selle elektritööriistaga kaasas olevad ohutushoiatused, juhised, joonised ja tehnilised andmed. Järgnevate juhiste eiramine võib põhjustada elektrilöögi, süttimise ja/või raske kehavigastuse.

## Hoidke edaspidisteks viideteks alles kõik hoiatused ja juhtnõbrid.

Hoiatuses kasutatud termini „elektritööriist“ all peetakse silmas elektriga töötavaid (juhtmega) elektritööriistu või akuga töötavaid (juhtmeta) elektritööriistu.

### Juhtmeta ketassae ohutusnõuded

#### Lõikamine

- ⚠️OHT:** Hoidke käed lõikepiirkonnast ja -terast eemal. Hoidke oma teist kätt abikäepidemel või mootori korpusel. Kui tööriista hoitakse mõlema käega, siis ei satu need lõiketera ette.
- Ärge kummardage töödeldava detaili alla.** Piire ei kaitse teid lõiketera eest töödeldava detaili all.
- Reguleerige lõikesügavust vastavalt töödeldava detaili paksusele.** Töödeldava detaili all peavad olema näha lõiketera hambad vähem kui terve hamba kõrguse ulatuses.
- Ärge hoidke mitte kunagi töödeldavat detaili lõikamise ajal käes ega põlve peal. Kinnitage töödeldavat detaili stabiilsele alusele.** Oluline on töödeldavat detaili õigesti toestada, et vähendada keha kaitseta jätmist, lõiketera kinnikiilumist või kontrolli kaotust.

#### ► Joon.1

- Hoidke elektritööriista isoleeritud käepidemetest, kui töötate kohtades, kus lõikeriist võib kokku puutuda peidetud juhtmetega.** Kokkupuude voolu all oleva juhtmega võib pingestada ka elektritööriista katmata metallosad ning operaator võib saada elektrilöögi.

- Pikilõikamisel kasutage alati piiret või sirge serva juhikut.** See parandab lõike täpsust ja vähendab lõiketera kinnikiilumise võimalust.
- Kasutage alati õige suuruse ja kujuga (teemantavalise asemel) võlliaukudega lõiketerasid.** Sae konstruktsiooniga mitteühitvad lõiketerad hakkavad liikuma ekstsentriliselt, põhjustades kontrolli kaotuse tööriista üle.
- Ärge kasutage kahjustunud ega nõuetele mittevastavaid lõiketera seibe ega polti.** Optimaalse töövõime ja -ohutuse tagamiseks on lõiketera seibid ja polt spetsiaalselt välja töötatud teie saele.

#### Tagasilöögi põhjused ja sellega seotud hoiatused

- tagasilöökk on äkiline reaktsioon kinni kiilunud, kinni pigistatud või orientatsiooni kaotanud saeterale, mis põhjustab tööriista üleskerkimist ja väljumist töödeldavast detailist operaatori poole;
  - kui lõiketera on sisselõikesse tihedalt kinni pigistatud või kinni kiilunud, siis lõiketera seiskub ja mootori reaktsiooni tõttu juhatakse seade kiiresti tagasi operaatori poole;
  - kui lõiketera on sisselõikesse väändunud või orientatsiooni kaotanud, võivad lõiketera tagumise serva hambad kaevuda puidu pealispinda ning põhjustada lõiketera ülespoole tõusmise sisselõikest ja pörkimise tagasi operaatori poole.
- Tagasilöökk on sae väärkasutuse ja/või ebaõigete tööoperatsioonide või -tingimuste tulemus, mida on võimalik vältida, kui järgitakse alljärgnevat asjakohaseid ettevaatusabinõusid.

- Hoidke saest mõlema käega kindlalt kinni ja seadke käsivarred asendisse, et vastu panna tagasilöögi jõududele. Olge ükskõik kummal pool lõiketera, kuid mitte otse selle taga.** Tagasilöökk võib põhjustada tööriista järsu tahapoole liikumise, kuid asjakohaseid ettevaatusabinõusid järgides saab operaator tagasilöögi jõudusid kontrolli all hoida.
- Kui lõiketera kiilub kinni või katkestab mingil põhjusel lõikamise, vabastage päästik ja hoidke tööriista liikumatul materjalil, kuni tera on täielikult seiskunud. Ärge kunagi püüdke saagi eemaldada töödeldavast detailist ega tõmmake saagi tahapoole, kui lõiketera liigub või esineb tagasilöögioht.** Tehke kindlaks lõiketera kinnikiilumise põhjus ja kõrvaldage see.
- Sae taaskäivitamisel töödeldavas detailis tsentreeerige saetera sisselõikes nii, et saehambad ei lööks materjalisse.** Kui saetera on materjali sisse surrutud, võib see sae taaskäivitamisel kerkida või töödeldavast detailist tagasilöögi anda.
- Lõiketera kinnikiilumise ja tagasilöögiriski minimeerimiseks toestage suured paneelid.** Suured paneelid kalduvad omaenese raskuse all painduma. Toed tuleb paigutada paneeli mõlema külje alla lõikekoha ja paneeliserva lähedale.

#### ► Joon.2

#### ► Joon.3

- Ärge kasutage nürisid ega vigastatud lõiketerasid.** Iritamata või väärtalt paigaldatud lõiketerade kasutamise tulemuseks on kitsas sisselõige, mis põhjustab liigset hõõrdumist, lõiketera kinnikiilumist ja tagasilööki.

- Lõiketera sügavuse ja faasi reguleerimise** lukustushoovad peavad olema enne lõikamist pinguldatud ja kindlalt kinnitatud. Kui lõiketera seadistus lõikamise ajal nihkub, võib see põhjustada kinnikiilumise ja tagasilöögi.
- Olge eriti ettevaatlik, kui teostate lõikeid olemasolevates seintes või muudes varjatud piirkondades.** Väljaulatav lõiketera võib lõikuda objektidesse, mis võivad põhjustada tagasilöögi.
- Hoidke ALATI tööriista kindlalt kahe käega.** Ärge pange oma kätt, jalga ega mingit muud kehaosa KUNAGI tööriistaaluse alla ega sae taha, eriti ristlõigete tegemise ajal. Kui tekib tagasilöökk, võib saag hõlpsasti hüpata tahapoolle üle teie käe ja põhjustada tõsise kehavigastuse.

#### ► Joon.4

- Ärge kunagi kasutage sae suhtes jõudu.** Lükake saagi ettepoole sellise kiirusega, et tera lõikab kiirust vähendamata. Jõu kasutamine võib põhjustada lõigete ebatasasuse, täpse kaotuse ja võimaliku tagasilöögi.

#### Piirde funktsioon

- Enne igakordset kasutamist kontrollige alumise piirde õiget sulgemist.** Ärge käivitage saagi, mille alumine piire ei liigu vabalt ja ei sulgu kohe. Ärge kunagi kinnitage alumist piiret klambriga ega siduge seda avatud asendisse. Kui saag on juhuslikult maha kukkunud, võib alumine piire olla paindunud. Tõstke alumist piiret väljatõmmatava käepideme abil ja veenduge, et see liiguks vabalt ega puudutaks lõiketera ning muid osi lõikamise kõigi nurkade ja sügavuste korral.
- Kontrollige, kas alumise piirde vedru on töökorras.** Kui piire ja vedru ei tööta korrektselt, tuleb neid enne tööriista kasutamist hooldada. Alumine piire võib töötada aeglaselt kahjustunud osade, kummisette või lõikamisjäakide kogunemise tõttu.
- Alumise piirde võib käsitsi tagasi tõmmata ainult teatud lõikamiste puhul, nagu „sukelduslõikamised“ ja „kombineeritud lõikamised“.** Tõstke alumist piiret väljatõmmatava käepideme abil ja niipea kui lõiketera siseneb materjali, tuleb alumine piire vabastada. Igasuguse muu saagimise puhul peab alumine juhik automaatselt töötama.
- Enne sae asetamist pingile või põrandale jälgige alati, et alumine piire kataks lõiketera.** Kaitsmata, vabalt liikuv tera võib põhjustada sae tahapoolse liikumise ja lõikumise ükskõik millesse oma liikumisteel. Olge teadlik ajast, mis kulub lõiketera seiskumiseks pärast tööriista väljalülitamist.
- Alumise piirde kontrollimiseks avage alumine piire käega, seejärel vabastage see ja jälgige piirde sulgemist.** Kontrollige ka seda, et väljatõmmatav käepide ei puudutaks tööriista korpust. Lõiketera katmata jätmine on VÄGA OHTLIK ning võib põhjustada tõsiseid kehavigastusi.

#### Lisaohutusnõuded

- Olge eriti ettevaatlik märja puidu, survetöötlemise läbinud saematerjali või oksakohtadega puidu lõikamisel.** Tagage tööriista sujuv liikumine lõiketera kiirust vähendamata, et vältida lõiketera tippude ülekuumenemist.

- Ärge püüdke eemaldada lõigatavat materjali lõiketera liikumise ajal.** Enne lõigatavat materjalist kinni haaramist oodake, kuni lõiketera seiskub. Terad liiguvad peale sae väljalülitamist vabakäiguga edasi.
- Vältige naeltesse sisselõikamist.** Enne lõikamist kontrollige saematerjali ja eemaldage sellest kõik naelad.
- Asetage saekorpuse laiem osa töödeldava detaili selle poole peale, mis on kindlalt toetatud, mitte sinna, mis pärast lõikamist küljest ära kukub.** Kui töödeldav detail on lühike või väike, tuleb see pitskruididega kinnitada. **ÄRGE PÜÜDKE HOIDA LÜHIKESI TÜKKE KÄEGA!**

#### ► Joon.5

- Enne tööriista maha asetamist pärast lõikamise lõpetamist veenduge, et piire oleks suletud ja lõiketera täielikult seiskunud.**
- Ärge kunagi püüdke saagida rakises tagurpidi asendis hoitava ketassaega.** See on väga ohtlik ja võib põhjustada tõsiseid õnnetusi.

#### ► Joon.6

- Mõned materjalid võivad sisaldada mürgiseid aineid.** Võtke meetmed tolmu sissehingamise ja nahaga kokkupuute vältimiseks. Järgige materjali tarnija ohutusteavet.
- Ärge püüdke lõiketerasid seisata neid külgsuunas surudes.**
- Ärge kasutage abrasiivkettaid.**
- Kasutage saeterade puhul ainult sellist läbimõõtu, mis on märgitud tööriistale või määratud kindlaks kasutusjuhendis.** Vale suurusega lõiketera kasutamine võib negatiivselt mõjutada lõiketera nõuetekohast kaitsset või kaitsepiirde funktsioneerimist, mille tagajärjeks võib olla raske kehavigastus.
- Hoidke lõiketera terava ja puhtana.** Kõvastunud kumm ja puuvaik lõiketeradel aeglustab sae tööd ning suurendab tagasilöögi tekkimise võimalust. Hoidke lõiketera puhtana, eemaldage see esmalt tööriista küljest, seejärel puhastage seda kummi- ja puuvaigu eemaldusvahendi, kuuma vee või petrooleumiga. Ärge kunagi kasutage bensiini.
- Tööriista kasutamisel kandke tolmumaski ja kuulmiskaitsevahendeid.**
- Kasutage alati lõigatava materjali lõikamiseks ettenähtud saetera.**
- Kasutage ainult selliseid saeteri, millele märgitud kiirus on võrdne tööriistale märgitud kiirusega või sellest suurem.**
- (Ainult Euroopa riikide puhul)** Kasutage alati standardile EN847-1 vastavat saetera.
- Asetage tööriist ja tarvikud lamedale ning stabiilsele pinnale.** Muidu võivad tööriist või tarvikud maha kukkuda ja kehavigastusi tekitada.

## HOIDKE JUHEND ALLES.

**⚠ HOIATUS:** ÄRGE UNUSTAGE järgida toote ohutusnõudeid mugavuse või toote (korduskasutamise saavutatud) hea tundmise tõttu. VALE KASUTUS või kasutusjuhendi ohutuseeskirjade eiramine võib põhjustada tervisekahjustusi.

## Akukassetiga seotud olulised ohutusjuhised

1. Enne akukassetti kasutamist lugege (1) akulaadid, (2) akul ja (3) seadmel olevad juhtnöörid ja hoiatused läbi.
2. Ärge võtke akukassetti lahti ega muutke seda. See võib põhjustada tulekahju, liigset kuumust või plahvatuse.
3. Kui tööaeg järsult lüheneb, siis lõpetage kohe kasutamine. Edasise kasutamise tulemuseks võib olla ülekuumenemine, võimalikud põletused või isegi plahvatus.
4. Kui elektrolüüti satub silma, siis loputage silma puhta veega ja pöörduge koheselt arsti poole. Selline õnnetus võib põhjustada pimedaksjäämist.
5. Ärge tekitage akukassetis lühist:
  - (1) Ärge puutuge klemme elektrijuhtidega.
  - (2) Ärge hoidke akukassetti tööriistakastis koos metallsemetega, nagu naelad, mündid jne.
  - (3) Ärge tehke akukassetti märjaks ega jätke seda vihma kätte.Aku lühis võib põhjustada tugevat elektri-voolu, ülekuumenemist, põletusi ning ka seadet tõsiselt kahjustada.
6. Ärge hoidke ega kasutage tööriista ja akukassetti kohtades, kus temperatuur võib tõusta üle 50 °C (122 °F).
7. Ärge põletage akukassetti isegi siis, kui see on saanud tõsiselt vigastada või on täiesti kulumud. Akukassett võib tules plahvatada.
8. Ärge naelutage, löigake, muljuge, visake akukassetti ega laske sel kukkuda, samuti ärge lööge selle pihta kõva esemega. Selline tegevus võib põhjustada tulekahju, liigset kuumust või plahvatuse.
9. Ärge kasutage kahjustatud akut.
10. Sisalduvatele liitium-ioonakudele võivad kohalduda ohtlike kaupade õigusaktide nõuded.

Kaubanduslikul transportimisel, näiteks kolmandate poolte või transpordiettevõtete poolt, tuleb järgida pakendil ja siltidel toodud erinõudeid. Transportimiseks ettevalmistamisel on vajalik pida nõu ohtliku materjali eksperdigiga. Samuti tuleb järgida võimalike riiklike regulatsioonide üksikasjalikumaid nõudeid.

Katke teibiga või varjake avatud kontaktid ja pakendage aku selliselt, et see ei saaks pakendis liikuda.
11. Kasutuskõlbmatuks muutunud akukassetti kõrvaldamiseks eemaldage see tööriistast ja viige selleks ette nähtud kohta. Järgige kasutuskõlbmatuks muutunud aku kõrvaldamisel kohalikke eeskirju.
12. Kasutage akusid ainult Makita heaks kiidetud toodetega. Akude paigaldamine selleks mitte ettenähtud toodetele võib põhjustada süttimist, ülemäärast kuumust, plahvatamist või elektrolüüdi lekkimist.
13. Kui tööriista ei kasutata pika ajaperioodi jooksul, tuleb aku tööriistast eemaldada.

14. Kasutamise ajal ja pärast kasutamist võib akukassett kuumeneda, mis võib põhjustada põletusi või madala temperatuuri põletusi. Olge kuuma akukassetti kandmisel ettevaatlik.
15. Ärge puudutage tööriista klemmi kohe pärast kasutamist, sest see võib olla kuum ja põhjustada põletusi.
16. Hoidke akukassetti klemmid, avad ja sooned tükikestest, tolmust ja mullast puhtad. See võib põhjustada tööriista või aku ülekuumenemist, süttimist, purunemist ja talitlushäireid, mis võib lõppeda põletuste või kehavigastustega.
17. Kui tööriist ei kannata kasutamist kõrgepingeliinide lähedal, ärge kasutage akukassetti kõrgepingeliinide lähedal. Muidu võib tööriist või akukassett puruneda või sellel tõrge tekkida.
18. Hoidke akut lastele kättesaamatult.

## HOIDKE JUHEND ALLES.

**⚠ETTEVAATUST:** Kasutage ainult Makita originaalakusid. Mitte Makita originaalakude või muudetud akude kasutamine võib põhjustada akude süttimise, kehavigastuse ja kahjustuse. Samuti muudab see kehtetuks Makita tööriista ja laadija Makita garantii.

## Vihjeid aku maksimaalse kasutusaja tagamise kohta

1. Laadige akukassetti enne selle täielikku tühjenemist. Kui märkate, et tööriist töötab väiksema võimsusega, peatage töö ja laadige akukassetti.
2. Ärge laadige täielikult laetud akukassetti. Ülelaadimine lühendab akude kasutusaja.
3. Laadige akukassetti toatemperatuuril 10 °C - 40 °C. Enne laadimist laske kuumenenud akukassetil maha jahtuda.
4. Kui te ei kasuta parajasti akukassetti, eemaldage see tööriistast või laadurist.
5. Kui te ei kasuta akukassetti kauem kui kuus kuud, laadige see.

## Juhtmeta seadmega seotud olulised ohutusjuhised

1. Ärge võtke juhtmeta seadet lahti ega muutke seda omavoliiliselt.
2. Hoidke juhtmeta seadet lastele kättesaamatus kohas. Kogemata allaneelamise korral pöördu kohe arsti poole.
3. Kasutage juhtmeta seadet ainult koos Makita tööriistadega.
4. Ärge jätke juhtmeta seadet vihma kätte ega märga keskkonda.
5. Ärge kasutage juhtmeta seadet kohtades, kus temperatuur on üle 50 °C.
6. Ärge kasutage juhtmeta seadet kohtades, kus leidub meditsiinilisi seadmeid, nagu südamestimulaatorid.
7. Ärge kasutage juhtmeta seadet kohtades, kus leidub automatiseeritud seadmeid. Muidu võib automatiseeritud seadmetel esineda talitushäireid või need võivad minna rikki.

8. Ärge töötage juhtmeta seadmega kohtades, kus on kõrge temperatuur ja kus võib esineda staatilist elektrit või elektrilist müra.
9. Juhtmeta seadmed võivad tekitada elektromagnetvälju (EMV), mis ei ole kasutajale kahjulikud.
10. Juhtmeta seade on täppisseade. Olge ettevaatlik, ärge laske juhtmevabal seadmel maha kukkuda ja vältige lööke.
11. Ärge puudutage juhtmeta seadme klemmi paljaste käte või metallesemetega.
12. Juhtmeta seadme tööriista sisse paigaldamisel eemaldage tootest alati aku.
13. Ärge avage pesa katet kohas, kus tolm või vesi võivad pesasse sattuda. Hoidke pesa siselaskeava alati puhtana.
14. Sisestage juhtmeta seade alati õiges suunas.
15. Ärge vajutage juhtmeta seadme juhtmeta aktiveerimise nupule liiga tugevalt ja/või ärge tehke seda teravate servadega esemega.
16. Sulgege pesa kaas alati pärast kasutamist.
17. Ärge eemaldage juhtmeta seadet pesast ajal, kui tööriista varustatakse toitega. Selle juhise järgimata jätmine võib tekitada juhtmeta seadme talitlushäireid.
18. Ärge eemaldage juhtmevabalt seadmelt kleebist.
19. Ärge pange juhtmevabale seadmele mingeid kleebiseid.
20. Ärge jätke juhtmeta seadet kohta, kus võib esineda staatilist elektrit või elektrilist müra.
21. Ärge jätke juhtmeta seadet kohta, kus on väga kuum, nt päikese kätte seisvasse autosse.
22. Ärge jätke juhtmeta seadet tolmusesse või pulbrilisse kohta või kohta, kus võib esineda söövitavaid gaase.
23. Äkiline temperatuuri muutumine võib tekitada juhtmeta seadme pinnale niiskuskihki. Ärge kasutage juhtmeta seadet enne, kui kogunenud niiskus on täielikult ära kuivanud.
24. Juhtmeta seadme puhastamisel pühkige seda õrnalt pehme lapiga. Ärge kasutage bensiini, lahusteid, juhtvaid määreid vms.
25. Juhtmeta seadme hoiustamisel hoidke seda komplekti kuulavas kabis või staatikavabas kontaineris.
26. Ärge sisestage tööriista pesasse muid seadmeid kui Makita juhtmeta seade.
27. Ärge kasutage tööriista, kui pesa kaas on kahjustunud. Pessa sattuvad vesi, tolm või mustus võivad põhjustada talitlushäireid.
28. Ärge tõmmake ega väänake pesa katet rohkem kui vajalik. Kui tööriistalt tuleb kaas ära, siis pange see oma kohale tagasi.
29. Asendage pesa kaas, kui see on läinud kaduma või kahjustunud.

## HOIDKE JUHEND ALLES.

## FUNKTSIONAALNE KIRJELDUS

**⚠ETTEVAATUST:** Kandke alati hoolt selle eest, et tööriist oleks enne reguleerimist ja kontrollimist välja lülitatud ja akukassett eemaldatud.

### Akukasseti paigaldamine või eemaldamine

**⚠ETTEVAATUST:** Lülitage tööriist alati enne akukasseti paigaldamist või eemaldamist välja.

**⚠ETTEVAATUST:** Akukasseti paigaldamisel või eemaldamisel tuleb tööriista ja akukassetti kindlalt paigal hoida. Kui tööriista ja akukassetti ei hoita kindlalt paigal, võivad need käest libiseda ning kahjustada tööriista ja akukassetti või põhjustada kehavigastusi.

► **Joon.7:** 1. Punane näidik 2. Nupp 3. Akukassett

Akukasseti eemaldamiseks libistage see tööriista küljest lahti, vajutades kasseti esiküljel paiknevat nuppu alla.

Akukasseti paigaldamiseks joondage akukasseti keel korpuse soonega ja libistage kassett oma kohale. Sisestage see tervenisti, kuni see lukustub klõpsuga oma kohale. Kui näete joonisel näidatud punast näidikut, pole see täielikult lukustunud.

**⚠ETTEVAATUST:** Paigaldage akukassett alati täies ulatuses nii, et punast osa ei jääks näha.

Muidu võib adapter juhuslikult tööriistast välja kukkuda ning põhjustada teile või läheduses viibivatele isikutele vigastusi.

**⚠ETTEVAATUST:** Ärge rakendage akukassetti paigaldamisel jõudu. Kui kassett ei lähe kergesti sisse, pole see õigesti paigaldatud.

### Tööriista/aku kaitsesüsteem

Tööriist on varustatud tööriista või aku kaitsesüsteemiga. Süsteem lülitab mootori automaatselt välja, et pikendada tööriista ja aku tööiga. Tööriist seiskub käitamise ajal automaatselt, kui tööriista või aku kohta kehtib üks järgmistest tingimustest. Teatud tingimustes hakkavad indikaatorid põlema.

### Ülekoormuskaitse

Kui tööriist/aku hakkab kasutamise käigus tarbima ebaharilikult palju voolu, seiskub tööriist automaatselt. Sellisel juhul lülitage tööriist välja ja lõpetage tööriista ülekoormuse põhjustanud töö. Pärast seda käivitage tööriist uuesti.

### Ülekuumenemiskaitse

Tööriista/aku ülekuumenemisel seiskub tööriist automaatselt. Sellisel juhul laske tööriistal maha jahtuda, enne kui selle uuesti sisse lülitate.

**⚠MÄRKUS:** Kui tööriist üle kuumeneb, siis tuli vilgub.



## Ülelaadimiskaitse

Kui aku laetuse tase on madal, siis seiskub tööriist automaatselt. Kui seade ei hakka tööle ka lülitite kasutamisel, eemaldage tööriistast akud ja laadige neid.

## Kaitse muude põhjuste korral

Kaitsesüsteem on mõeldud ka muude põhjuste jaoks, mis võivad tööriista kahjustada, ja võimaldab tööriistal automaatselt seiskuda. Kui tööriist on ajutiselt peatatud või seiskunud, toimige põhjuste kõrvaldamiseks järgnevalt.






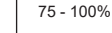


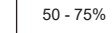


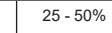


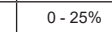

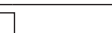
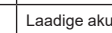




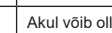

1. Lülitage tööriist välja ja seejärel taaskäivitamiseks uuesti sisse.
2. Laadige akut (akusid) või asendage aku (akud).
3. Laske tööriistal ja akul (akudel) jahtuda.

Kui kaitsesüsteemi taastamisega ei õnnestu olukorda parandada, võtke ühendust kohaliku Makita hoolduskeskusega.

## Aku jääkmahutavuse näit

Akukasseti järelejäänud mahutavuse kontrollimiseks vajutage kontrollimise nuppu. Märkulambid süttivad mõneks sekundiks.

► **Joon.8:** 1. Märkulambid 2. Kontrollimise nupp

Märkulambid			Jääkmahutavus
 Põleb	 Ei põle	 Vilgub	
			75 - 100%
			50 - 75%
			25 - 50%
			0 - 25%
			Laadige akut.
 	 	 	Akul võib olla tõrge.

**MÄRKUS:** Näidatud mahutavus võib veidi erineda tegelikust mahutavusest olenevalt kasutustingimustest ja ümbritseva keskkonna temperatuurist.

**MÄRKUS:** Esimene (taga vasakul asuv) märgutuli vilgub, kui akukaitsesüsteem töötab.

## Lüliti funktsioneerimine

**▲HOIATUS:** Kontrollige alati enne akukasseti tööriista külge paigaldamist, kas lüliti päästik funktsioneerib nõuetekohaselt ja liigub lahtilaskmisel tagasi väljalülitatud asendisse.

**▲HOIATUS:** Lahtilukustusnupu fikseerimine kleplindi vms-ga on KEELATUD. Inaktiveeritud lahtilukustusnupuga lüliti võib põhjustada masina soovimatu sisselülitumise, millega kaasnevad tõsised vigastused.

**▲HOIATUS:** ÄRGE kasutage KUNAGI masinat, kui see käivitub ka siis, kui lahtilukustusnuppu vajutamata vajutate lihtsalt lüliti päästikut.

Remonti vajav lüliti võib põhjustada masina soovimatu sisselülitumise, millega kaasnevad tõsised vigastused. ENNE edasist kasutamist viige masin parandamiseks Makita teeninduskeskusesse.

Et vältida lüliti päästiku juhuslikku vajutamist, on tööriistal lahtilukustusnupp. Tööriista käivitamiseks vajutage lahtilukustusnupp alla ja tõmmake lüliti päästikut. Vabastage lüliti päästik tööriista seiskamiseks.

► **Joon.9:** 1. Lüliti päästik 2. Lukust avamise nupp

**TÄHELEPANU:** Ärge tõmmake lüliti päästikut tugevasti ilma lahtilukustusnuppu vajutamata. See võib põhjustada lüliti purunemise.

**▲ETTEVAATUST:** Tööriist pidurdab ketassaetera pöörlemist kohe, kui olete lüliti päästiku lahti lasknud. Hoidke lüliti päästiku vabastamisel kindlalt tööriistast kinni, et pidurdamisele reageerida. Äkilise pidurdamise mõjul võib tööriist kukkuda ja põhjustada kehavigastuse.

## Lõikesügavuse reguleerimine

**▲ETTEVAATUST:** Pärast lõikesügavuse reguleerimist pingutage hoob alati korralikult.

Lõdvendage sügavusjuhik olevat hooba ning nihutage alust üles või alla. Soovitud lõikesügavuse juures kinnitage alus, pingutades hooba.

Puhtamate ja ohutumate lõigete tegemiseks seadke lõikesügavus selliselt, et töödeldavast detailist allapoole ei ulatuks rohkem kui üks terahammas. Õige lõikesügavuse kasutamine aitab vähendada kehavigastusi põhjustada võivate ohtlike TAGASILÖÖKIDE võimalust.

► **Joon.10:** 1. Hoob

**TÄHELEPANU:** Kui alus ei libise sujuvalt üles või alla, võib sügavusjuhik olla kalde all. Sel juhul reguleerige sügavusjuhikut (lugege sügavusjuhiku reguleerimise jaotist).



## Kaldlõikamine

**⚠ETTEVAATUST:** Pärast kaldenurga reguleerimist pingutage pitskruid alati korralikult kinni.

Keerake pitskruid lahti. Seadke kallutatades soovitud kaldenurk ja kinnitage seejärel korralikult pitskruid.

► **Joon.11:** 1. Pitskruvi

## Positiivne sulgur

Positiivse sulguri alati saab kiiresti seadistada vajaliku nurga. Pöörake positiivset sulgurit nii, et sellel olev nool osutaks soovitud kaldenurgale (umbes 22,5°/45°/60°). Lõdvendage hooba ja kallutage seejärel tööriista alust, kuni see peatub. Tööriista aluse peatumiskoht on nurk, mille seadistate positiivse sulguriga. Kinnitage hoob, kui tööriista alus on selles asendis.

► **Joon.12:** 1. Positiivne sulgur

## -1° kaldlõikamine

-1° kaldlõikamise jaoks vabastage pitskruid ja suruge hoovad joonisel näidatud noole suunas. Seejärel seadke kaldenurgaks -1° ja pingutage pitskruid.

► **Joon.13:** 1. Hoob

## Sihtimine

Sirgete lõigete puhul joondage 0° positsioon aluse ees oma lõikejoonega. 45° kaldlõigete tegemiseks seadke sellega kohakuti 45° positsioon.

► **Joon.14:** 1. Lõikejoon (0° positsioon) 2. Lõikejoon (45° positsioon)

## Lambi põlema panemine

**⚠ETTEVAATUST:** Ärge vaadake otse valgusesse ega valgusallikat.

Lambi sisselülitamiseks tööriista käitamata vajutage lüliti päästikut lukuavamisnupu vajutamata. Lambi sisselülitamiseks tööriista käitamise ajal vajutage lukuavamisnupu ja hoidke seda all ning vajutage lüliti päästikule.

Lamp kustub 10 sekundit pärast lüliti päästiku vabastamist.

► **Joon.15:** 1. Lamp

**MÄRKUS:** Pühkige lamp kuiva lapiga puhtaks. Olge seda tehes ettevaatlik, et lambi läätse mitte kriimustada, sest muidu võib valgustus väheneda.

## Elektriline pidur

Tööriist on varustatud elektrilise terapiduriga. Kui tööriist ei peata pidevalt pärast lüliti hoova vabastamist ketassaetera kiiresti, viige see hoolduseks Makita teeninduskeskusesse.

**⚠ETTEVAATUST:** Terapidurdussüsteem ei asenda terapiiret. ÄRGE KUNAGI KASUTAGE TÖÖRIISTA ILMA TOIMIVA TERAPIIRDETA. SEE VÕIB LÕPPEDA RASKETE KEHAVIGASTUSTEGA.

## Elektroniline funktsioon

Elektronilise funktsiooniga varustatud tööriistu on tänu järgmistele omadustele lihtne kasutada.

### Sujuvkäivituse funktsioon

Sujuvkäivituse tagab summutatud algtouge.

### Püsikiiruse juhtimine

Elektroniline kiiruse juhtimine püsikiiruse saavutamiseks. Teeb võimalikuks täpselt viimistlemise, kuna pöörlemiskiirus püsib ühtlasena ka koormuse tingimustes.

## KOKKUPANEK

**⚠ETTEVAATUST:** Kandke alati hoolt selle eest, et tööriist oleks enne igasuguseid hooldustöid välja lülitatud ja akukassett eemaldatud.

## Kuuskantvõtme hoiolepanek

Kui kuuskantvõtit ei kasutata, pange see kaotamise vältimiseks joonisel näidatud viisil hoiole.

► **Joon.16:** 1. Kuuskantvõti

## Alumise aluse paigaldamine

Paigaldage alumine alus ja keerake pitskruid kõvasti kinni, nagu on joonisel näidatud.

Kasutage alumise alusega alati tööriista, välja arvatud juhtpiirde kasutamisel.

► **Joon.17:** 1. Pitskruvi 2. Alumine alus

## Ketassaetera paigaldamine või eemaldamine

**⚠ETTEVAATUST:** Ketassaetera peab olema paigaldatud selliselt, et hambad on suunatud tööriista esiosas üles.

**⚠ETTEVAATUST:** Kasutage ketassaetera paigaldamiseks ja eemaldamiseks ainult Makita mutrivõtit.

1. Lõdvendage sügavusjuhikule olevat hooba ning nihutage alust alla.

► **Joon.18:** 1. Hoob

2. Paigaldage sisemine äärik, rõngas (riigispetsifiline), ketassaetera, välimine äärik ja kuuskantpolt. Samal ajal joondage teral olev nool tööriistal oleva noolega.

### Rõngata tööriist

► **Joon.19:** 1. Kuuskantpolt 2. Välimine äärik

3. Ketassaetera 4. Sisemine äärik

5. Ketassaeteral asuv nool 6. Tööriistal asuv nool

### Rõngata tööriist

► **Joon.20:** 1. Kuuskantpolt 2. Välimine äärik

3. Ketassaetera 4. Rõngas 5. Sisemine äärik

6. Ketassaeteral asuv nool

7. Tööriistal asuv nool

3. Vajutage völliukku lõpuni, et ketassaetera ei saaks pöörelda, ja keerake kuuskantpolt kuuskantvõtmel abil kinni.

- **Joon.21:** 1. Völliukku 2. Kuuskantvõti  
3. Lõdvendamine 4. Pingutamine

Ketassaetera eemaldamiseks järgige paigaldamise protseduuri vastupidises järjekorras.

## Tööriista, mille siseäärrik sobib muu kui 15,88 mm ava läbimõõduga saeteraga

Siseäärrikul on ühel küljel kindla läbimõõduga eend ning teisel küljel teistsuguse läbimõõduga eend. Valige õige eendiga pool, mis sobib täpselt saetera avasse. Paigaldage siseäärrik paigaldusvõlliile nii, et siseäärriku õige eendipoollega külg jääks väljapoole, ning paigaldage siis saetera ja välisäärrik.

- **Joon.22:** 1. Paigaldusvõll 2. Siseäärrik  
3. Ketassaetera 4. Välisäärrik  
5. Kuuskantpolt

**⚠ HOIATUS: KEERAKE KUUSKANTPOLT KINDLASTI KORRALIKULT PÄRIPÄEVA KINNI. Samas jälgige, et te polti liiga suure jõuga ei pingutaks. Käe libisemine kuuskantvõtmelt võib põhjustada vigastusi.**

**⚠ HOIATUS: Veenduge, et siseäärriku eend „a”, mis asetseb suunaga väljapoole, sobiks täpselt saetera avasse „a”. Tera paigaldamine valele küljele võib põhjustada ohtlikku vibratsiooni.**

## Tööriista, mille siseäärrik sobib 15,88 mm ava läbimõõduga saeteraga (riigispetsifiline)

Paigaldage siseäärrik paigaldusvõlliile, suunates taanduva osa väljapoole, ja asetage siis paika saetera (vajaduse korral kinnitatud rõngaga), välisäärrik ja kuuskantpolt.

### Rõngata tööriist

- **Joon.23:** 1. Paigaldusvõll 2. Siseäärrik  
3. Ketassaetera 4. Välisäärrik  
5. Kuuskantpolt

### Rõngaga tööriist

- **Joon.24:** 1. Paigaldusvõll 2. Siseäärrik  
3. Ketassaetera 4. Välisäärrik  
5. Kuuskantpolt 6. Rõngas

**⚠ HOIATUS: KEERAKE KUUSKANTPOLT KINDLASTI KORRALIKULT PÄRIPÄEVA KINNI. Samas jälgige, et te polti liiga suure jõuga ei pingutaks. Käe libisemine kuuskantvõtmelt võib põhjustada vigastusi.**

**⚠ HOIATUS: Kui tera spindlile kinnitamiseks on vajalik rõngas, veenduge alati, et sise- ja välisäärriku vahele oleks paigaldatud kasutatava tera völliavaga kokkusobiv rõngas. Vale völliava rõnga kasutamine võib kaasa tuua tera vale paigalduse, mis põhjustab saetera lengerdamist ja tugevat vibratsiooni, mis võib omakorda põhjustada kontrolli kaotust tööriista üle ning raskeid kehavigastusi.**

## Terakaitse puhastamine

Ketassaetera vahetamisel puhastage kindlasti ka ülemine ja alumine lõiketera kaitsepiire neile kogunenud saepurust, nagu on kirjeldatud peatükis „Hooldus”. See ei tähenda, et võiks loobuda alumise kaitsepiirde töökorras oleku kontrollimisest enne iga kasutuskorda.

## Tolmuimeja ühendamine

### Valikuline tarvik

Kui soovite puhtamalt lõigata, ühendage tööriista külge Makita tolmuimeja. Ühendage tolmuimeja voolik tolmuotsakuga, kasutades esimansette 24.

- **Joon.25:** 1. Tolmuimeja voolik 2. Esimansetid 24  
3. Tolmuotsak

## Tolmuotsaku nurga reguleerimine

Tolmuotsaku nurka saab reguleerida tolmuotsaku pööramisega.

Kui kasutate tööriista ilma seda tolmuimeja külge ühendamata, hoidke tolmuotsakut eespool, et saepuru ei lendaks operaatori peale.

Kui kasutate tööriista tolmuimeja küljes, hoidke tolmuotsakut üleval, et tolmuimeja voolik ei jääks töödeldava eseme või juhtpiirde vahele kinni.

- **Joon.26:** 1. Tolmuotsak

## TÖÖRIISTA KASUTAMINE

See tööriist on mõeldud ainult puudust toodete saagimiseks.

Lõikamiseks kasutatavate õigete saeketaste leidmiseks vaadake meie veebilehte või pöörduge kohaliku Makita edasimüüja poole.

Ärge kasutage tööriista ilma alumise aluseta, välja arvatud juhtpiirde kasutamisel.

## Terakaitse funktsiooni kontrollimine

Eemaldage akukassett.

Seadke kaldenurgaks 0° ning seejärel tõmmake alumine piire käsitsi lõpuni ja vabastage see. Alumine piire töötab korralikult, kui:

- seda saab tõmmata üle aluse ilma takistuseta ning
- see läheb automaatselt algasendisse ja ühendub stopperiga.

- **Joon.27:** 1. Ülemine piire 2. Alumine piire 3. Alus  
4. Stopper 5. Avage 6. Sulgege

Kui alumine piire ei tööta korralikult, kontrollige, ega ülemisesse ja alumisesse piiretesse pole kogunenud saepuru. Kui alumine piire ei tööta korralikult isegi pärast saepuru eemaldamist, laske tööriista hooldada Makita teeninduskeskuses.

## Lõikamine

**⚠ETTEVAATUST:** Lõikamise ajal kandke tolmumaski.

**⚠ETTEVAATUST:** Liigutage tööriista kindlasti ettevaatlikult sirgjoonelisel ettepoole. Tööriistale surve avaldamisel või selle väänamisel kuumeneb mootor üle ja tekib ohtlik tagasilöökk, mis võib põhjustada tõsisid vigastusi.

**MÄRKUS:** Kui akukasseti temperatuur on madal, ei pruugi tööriist töötada täisvõimsusel. Sellisel juhul kasutage tööriista mõnda aega näiteks kergemal režiimil lõikamiseks, kuni akukassett soojeneb toatemperatuurini. Pärast seda saab tööriist töötada täisvõimsusel.

### ► Joon.28

Hoidke tööriistast kindlalt kinni. Sael on nii eesmine kui ka tagumine käepide. Kasutage mõlemat, et tööriista parimal moel hoida. Kui hoiate saagi mõlema käega, ei saa ketassaetera neisse lõigata. Asetage saeraam töödeldavale esemele nii, et ketassaetera seda ei puudutaks. Siis lülitage saag sisse ja oodake, kuni ketassaetera saavutab täiskiruse. Nüüd lihtsalt lükake saagi sujuvalt ettepoole üle töödeldava eseme pinna, hoides tööriista vastu eseme pinda.

Puhaslõigete saamiseks hoidke saejoont sirgena ja töökiirust ühtlasena. Kui lõige ei järgi planeeritud lõikejoont täpselt, ärge proovige seda pöörata ja ärge suruge tööriista lõikejoonele tagasi. Kui te nii teete, võib ketassaetera kinni kiiluda ja tekitada ohtlikku tagasilööki ning tõsisid kehavigastusi. Vabastage lüliti ja oodake, kuni ketassaetera seisma jääb, ning siis eemaldage saag. Reastage tööriist uuele lõikejoonele ja hakake uuesti lõikama. Püüdke vältida asetust, mis jätab operaatori saest paiskuvate laastude ja saepuru eest kaitsetuks. Kasutage silmakaitset, et vigastusi vältida.

**MÄRKUS:** Mõnikord juhtub, et kaldlõike jne teostamisel ei liigu alumine piire kergesti. Sellisel juhul tõstke alumine piire esimese lõike tegemiseks üles ning niipea, kui tera siseneb materjali, vabastage tõstehoob.

### ► Joon.29: 1. Tõstehoob

## Alumine alus (juhtjoonlaud)

**⚠ETTEVAATUST:** Veenduge enne kasutamist, et alumine alus (juhtjoonlaud) oleks kindlalt õigesse asendisse paigaldatud. Vale kinnitus võib põhjustada tugeva tagasilöögi.

Alumist alust juhtjoonlauana kasutades saate teha ülitäpseid sirglõikeid. Vabastage pitskruidid, lükake alumine alus tööriistast välja ja sisestage see seejärel ümberpööratult, ülemine pool allpool.

### ► Joon.30: 1. Pitskruid 2. Alumine alus

Libistage lihtsalt alumise aluse piire tihedalt vastu töödeldava detaili külge ja kinnitage see pitskruididega kohale. Samuti võimaldab see ühesuguse laiusega korduvlõigete tegemist.

### ► Joon.31: 1. Pitskruid 2. Alumine alus

## Juhtpiire

### Valikuline tarvik

**⚠ETTEVAATUST:** Kandke alati hoolt selle eest, et tööriist oleks enne igasuguseid hooldustöid välja lülitatud ja akukassett eemaldatud.

**TÄHELEPANU:** Eemaldage juhtpiirde kasutamisel alumine alus.

Asetage tööriist juhtpiirde tagumisse otsa. Pöörake tööriistaalusel kahte reguleerimiskruvi, et tööriist libiseks sujuvalt ega tekitaks müra. Hoidke tugevalt nii tööriista esi- kui ka tagakäepidemest. Paigaldage akukassett. Lülitage tööriist sisse ja lõigake ühe liigutusega mööda pilpapiirde pikkikülge. Pilpapiirde serv vastab nüüd lõikeäärele.

### ► Joon.32: 1. Reguleerimiskruvid

Juhtpiirdega kaldlõikamisel kasutage tööriista ümberminemise vältimiseks liughooba. Liigutage liughooba tööriistaalusel noole suunas, et see haarduks juhtpiirde alla lõigatud soonde.

### ► Joon.33: 1. Liughoob

## JUHTMETA AKTIVEERIMISE FUNKTSIOON

### Mida võimaldab juhtmeta aktiveerimise funktsioon

Juhtmeta aktiveerimise funktsioon võimaldab puhast ja mugavat töötamist. Ühendades toetatud tolmuimeja tööriistaga, saate käivitada tolmuimeja automaatselt koos tööriista lüliti toimimisega.

### ► Joon.34

Juhtmeta aktiveerimise funktsiooni kasutamiseks valmistage ette alljärgnev:

- juhtmeta seade (valikuline tarvik);
- tolmuimeja, mis toetab juhtmeta aktiveerimise funktsiooni.

Alljärgnevalt on toodud juhtmeta aktiveerimise funktsiooni seadistamise ülevaade. Üksikasjalikuma teabe saamiseks vaadake konkreetseid jaotisi.

1. Juhtmeta seadme paigaldamine
2. Tööriista registreerimine tolmuimeja jaoks
3. Juhtmeta aktiveerimise funktsiooni käivitamine

## Juhtmeta seadme paigaldamine

### Valikuline tarvik

**⚠ETTEVAATUST:** Juhtmeta seadme paigaldamisel asetage tööriist tasasele ja kindlale pinnale.

**TÄHELEPANU:** Enne juhtmeta seadme paigaldamist puhastage tööriist tolmust ja mustusest. Kui tolm ja mustus satuvad juhtmeta seadme pesa, siis võib esineda talitushäireid.

**TÄHELEPANU:** Staatika põhjustatud talitushäirete vältimiseks puudutage enne juhtmeta seadme ülestõstmist staatikat eemaldavat materjali, näiteks tööriista metallist osa.

**TÄHELEPANU:** Juhtmeta seadme paigaldamisel veenduge alati, et juhtmeta seade oleks sisestatud õiges suunas ja kaas oleks korralikult suletud.

1. Avage tööriista kaas joonisel näidatud viisil.

▶ **Joon.35:** 1. Kaas

2. Sisestage juhtmeta seade pesasse ja sulgege kaas.

Juhtmeta seadme sisestamisel joondage väljaulatuvad osad pesa sündvatud osadega.

▶ **Joon.36:** 1. Juhtmeta seade 2. Väljaulatuv osa 3. Kaas 4. Süvendatud osa

Juhtmeta seadme eemaldamisel avage kaas aeglaselt. Kaane tagaküljel asuvad konksud tõstavad juhtmeta seadme koos kaanega välja.

▶ **Joon.37:** 1. Juhtmeta seade 2. Konks 3. Kaas

Pärast eemaldamist hoidke juhtmeta seadet komplekti kuuluvas korbis või staatikavabas konteineris.

**TÄHELEPANU:** Juhtmeta seadme eemaldamisel kasutage alati kaane tagaküljel asuvaid konkse. Kui konksud ei haaku juhtmeta seadmega, sulgege kaas täielikult ja avage aeglaselt uuesti.

## Tööriista registreerimine tolmuimeja jaoks

**MÄRKUS:** Registreerimiseks on vajalik Makita tolmuimeja, mis toetaks juhtmeta aktiveerimise funktsiooni.

**MÄRKUS:** Enne tööriista registreerimist tuleb juhtmeta seade tööriista paigaldada.

**MÄRKUS:** Tööriista registreerimise ajal ärge tõmmake lüliti päästikut ega lülitage tolmuimeja toitelüliti sisse.

**MÄRKUS:** Vt ka tolmuimeja kasutusjuhendit.

Kui te soovite tolmuimeja koos tööriista lüliti toimimisega aktiveerida, siis peate kõigepealt lõpetama tööriista registreerimise.

1. Paigaldage patareid nii tolmuimejasse kui ka tööriista.

2. Seadke tolmuimeja ooterežiimi lüliti asendisse „AUTO“.

▶ **Joon.38:** 1. Ooterežiimi lüliti

3. Vajutage tolmuimejal juhtmeta aktiveerimise nuppu ja hoidke seda 3 sekundit all, kuni juhtmeta aktiveerimise tuli hakkab roheliselt vilkuma. Seejärel vajutage samamoodi tööriista juhtmeta aktiveerimise nuppu.

▶ **Joon.39:** 1. Juhtmeta aktiveerimise nupp 2. Juhtmeta aktiveerimise tuli

Kui tolmuimeja ja tööriist on edukalt seotud, siis juhtmeta aktiveerimise tuled süttivad 2 sekundiks roheliselt ja hakkavad seejärel siniselt vilkuma.

**MÄRKUS:** Juhtmeta aktiveerimise lambid lõpetavad roheliselt vilkumise 20 sekundi pärast. Vajutage juhtmeta aktiveerimise nuppu tööriistal, kui puhastajal vilgub juhtmeta aktiveerimise tuli. Kui juhtmeta aktiveerimise tuli ei vilgu roheliselt, siis vajutage korra juhtmeta aktiveerimise nuppu ja hoidke seda uuesti all.

**MÄRKUS:** Sidudes kahte või enamat tööriista ühe tolmuimejaga, lõpetage tööriistade registreerimine ükshaaval.

## Juhtmeta aktiveerimise funktsiooni käivitamine

**MÄRKUS:** Enne juhtmeta aktiveerimist tuleb lõpetada tööriista tolmuimejaga sidumine.

**MÄRKUS:** Vt ka tolmuimeja kasutusjuhendit.

Pärast tööriista sidumist tolmuimejaga, käivitus tolmuimeja automaatselt tööriista lülite abil.

1. Paigaldage juhtmeta seade tööriista sisse.

2. Ühendage tolmuimeja voolik tööriistaga.

▶ **Joon.40**

3. Seadke tolmuimeja ooterežiimi lüliti asendisse „AUTO“.

▶ **Joon.41:** 1. Ooterežiimi lüliti

4. Vajutage korra tööriistal olevat juhtmeta aktiveerimise nuppu. Juhtmeta aktiveerimise tuli vilgub siniselt.

▶ **Joon.42:** 1. Juhtmeta aktiveerimise nupp 2. Juhtmeta aktiveerimise tuli

5. Lülitage tööriist sisse. Kontrollige, kas tolmuimeja töötab tööriista töötamise ajal.

Tolmuimeja juhtmeta aktiveerimise peatamiseks vajutage tööriista juhtmeta aktiveerimise nuppu.

**MÄRKUS:** Tööriista juhtmeta aktiveerimise tuli lõpetab siniselt vilkumise, kui 2 tunni jooksul ei tehta ühtegi toimingut. Sellisel juhul seadke tolmuimeja ooterežiimi lüliti asendisse „AUTO“ ja vajutage tööriistal uuesti juhtmeta aktiveerimise nuppu.

**MÄRKUS:** Tolmuimeja alustab/peatub viivitusega. Kui tolmuimeja tuvastab tööriista lüliti toimimise, esineb viivitus.


**MÄRKUS:** Juhtmeta seadme edastamise kaugus võib olenevalt asukohast ja ümbritsevatest oludest erineda.

**MÄRKUS:** Kui ühe tolmuimejaga seotakse kaks või enam tööriista, võib tolmuimeja hakata tööle isegi siis, kui te ei lülita tööriista sisse, sest mõni teine kasutaja kasutab juhtmeta aktiveerimise funktsiooni.

## Juhtmeta aktiveerimise tule oleku kirjeldus

### ► Joon.43: 1. Juhtmeta aktiveerimise tuli

Juhtmeta aktiveerimise tuli näitab juhtmeta aktiveerimise funktsiooni olekut. Tule oleku tähendust näete allolevast tabelist.

Olek	Juhtmeta aktiveerimise tuli				Kirjeldus
	Värv	 Põleb	 Vilgub	Kestus	
Ooteaeg	Sinine			2 tundi	Tolmuimeja juhtmeta aktiveerimine on saadaval. Tuli lülitub automaatselt välja, kui 2 tunni jooksul ei tehta ühtegi toimingut.
				Kui tööriist on käivitatud.	Tolmuimeja juhtmeta aktiveerimine on saadaval ja tööriist on käivitatud.
Tööriista registreerimine	Roheline			20 sekundit	Valmis tööriista registreerimiseks. Tolmuimeja poolse registreerimise ootamine.
				2 sekundit	Tööriista registreerimine on lõpetatud. Juhtmeta aktiveerimise tuli hakkab siniselt vilkuma.
Tööriista registreerimise tühistamine	Punane			20 sekundit	Valmis tööriista registreerimise tühistamiseks. Tolmuimeja poolse tühistamise ootamine.
				2 sekundit	Tööriista registreerimise tühistamine on lõpetatud. Juhtmeta aktiveerimise tuli hakkab siniselt vilkuma.
Muu	Punane			3 sekundit	Juhtmeta seade on ühendatud toitega ja juhtmeta aktiveerimise funktsioon käivitub.
	Väljas	-		-	Tolmuimeja juhtmeta aktiveerimine on peatatud.

## Tööriista registreerimise tühistamine tolmuimeja jaoks

Tööriista registreerimise tühistamiseks tolmuimeja jaoks tuleb toimida alljärgnevalt.

1. Paigaldage patareid nii tolmuimejasse kui ka tööriista.
2. Seadke tolmuimeja ooterežiimi lüliti asendisse „AUTO”.

### ► Joon.44: 1. Ooterežiimi lüliti

3. Vajutage tolmuimejal juhtmeta aktiveerimise nuppu ja hoidke seda 6 sekundit all. Juhtmeta aktiveerimise tuli vilgub roheliselt ja muutub seejärel punaseks. Seejärel vajutage samamoodi tööriista juhtmeta aktiveerimise nuppu.

- Joon.45: 1. Juhtmeta aktiveerimise nupp  
2. Juhtmeta aktiveerimise tuli

Kui tolmuimeja ja tööriist on edukalt lahutatud, siis juhtmeta aktiveerimise tuled süttivad 2 sekundiks punaselt ja seejärel hakkavad need siniselt vilkuma.

**MÄRKUS:** Juhtmeta aktiveerimise lambid lõpetavad punaselt vilkumise 20 sekundi pärast. Vajutage juhtmeta aktiveerimise nuppu tööriistal, kui puhastajal vilgub juhtmeta aktiveerimise tuli. Kui juhtmeta aktiveerimise tuli ei vilgu punaselt, siis vajutage korra juhtmeta aktiveerimise nuppu ja hoidke seda uuesti all.

## Juhtmeta aktiveerimise funktsiooni veatsing

Enne remonditöökotta pöördumist kontrollige niidukit ise. Ärge üritage niidukit lahti võtta, kui leiate probleemi, mida kasutusjuhendis ei kirjeldata. Selle asemel pöörduge Makita volitatud teeninduskeskusesse, kus kasutatakse remon-  
timisel alati Makita tagavaraosi.

Tõrge	Võimalik põhjus (riike)	Lahendus
Juhtmeta aktiveerimise tuli ei põle / ei vilgu.	Tööriista sisse ei ole juhtmeta seadet paigaldatud. Juhtmeta seade on tööriista sisse valesti paigaldatud.	Paigaldage juhtmeta seade õigesti.
	Juhtmeta seadme klemm ja/või pesa on määrduanud.	Pühkige juhtmeta seadme klemmiit ettevaatlikult tolm ja mustus ning puhastage pesa.
	Tööriistal olevat juhtmeta aktiveerimise nuppu ei ole vajutatud.	Vajutage korraks tööriistal olevat juhtmeta aktiveerimise nuppu.
	Tolmuimeja ooterežiimi lüliti ei ole seatud asendisse „AUTO“.	Seadke tolmuimeja ooterežiimi lüliti asendisse „AUTO“.
	Puudub toiteallikas	Varustage tööriist ja tolmuimeja toiteallikaga.
Tööriista registreerimist / tööriista registreerimise tühistamist ei õnnestub edukalt lõpetada.	Tööriista sisse ei ole juhtmeta seadet paigaldatud. Juhtmeta seade on tööriista sisse valesti paigaldatud.	Paigaldage juhtmeta seade õigesti.
	Juhtmeta seadme klemm ja/või pesa on määrduanud.	Pühkige juhtmeta seadme klemmiit ettevaatlikult tolm ja mustus ning puhastage pesa.
	Tolmuimeja ooterežiimi lüliti ei ole seatud asendisse „AUTO“.	Seadke tolmuimeja ooterežiimi lüliti asendisse „AUTO“.
	Puudub toiteallikas	Varustage tööriist ja tolmuimeja toiteallikaga.
	Vale kasutamine	Vajutage korraks juhtmeta aktiveerimise nuppu ja tehke tööriista registreerimise/tühistamise toimingud uuesti.
	Tööriist ja tolmuimeja asuvad teineteisest liiga kaugel (on edastamise ulatusest väljas).	Viige tööriist ja tolmuimeja üksteisele lähemale. Maksimaalne ülekandekaugus on umbes 10 m, kuid see võib olenevalt asjaoludest varieeruda.
	Enne tööriista registreerimise/tühistamise lõpetamist; - tööriista lüliti on sisse lülitatud või; - tolmuimeja toitenupp on sisse lülitatud.	Vajutage korraks juhtmeta aktiveerimise nuppu ja tehke tööriista registreerimise/tühistamise toimingud uuesti.
	Tööriista või tolmuimeja sidumistoimingud on lõpetamata.	Tehke samal ajal nii tööriista kui ka tolmuimeja registreerimistoimingud.
	Teiste seadmete tekitatud raadiohääring, mis tekitab väga intensiivseid raadiolaineid.	Hoidke tööriista ja tolmuimejat WiFi-seadmetest ja mikrolaineahjudest eemal.
	Tolmuimeja ei tööta tööriista lüliti kaudu.	Tööriista sisse ei ole juhtmeta seadet paigaldatud. Juhtmeta seade on tööriista sisse valesti paigaldatud.
Juhtmeta seadme klemm ja/või pesa on määrduanud.		Pühkige juhtmeta seadme klemmiit ettevaatlikult tolm ja mustus ning puhastage pesa.
Tööriistal olevat juhtmeta aktiveerimise nuppu ei ole vajutatud.		Vajutage korraks juhtmeta aktiveerimise nuppu ja veenduge, et juhtmeta aktiveerimise tuli vilgus siniselt.
Tolmuimeja ooterežiimi lüliti ei ole seatud asendisse „AUTO“.		Seadke tolmuimeja ooterežiimi lüliti asendisse „AUTO“.
Tolmuimejaga on seotud üle 10 tööriista.		Tehke registreerimistoiming uuesti. Kui tolmuimejaga on seotud üle 10 tööriista, siis kõige esimesena registreeritud tööriista sidumine tühistatakse automaatselt.
Tolmuimeja kustutas kõik registreeritud tööriistad.		Registreerige tööriist uuesti.
Puudub toiteallikas		Varustage tööriist ja tolmuimeja toiteallikaga.
Tööriist ja tolmuimeja asuvad teineteisest liiga kaugel (on edastamise ulatusest väljas).		Viige tööriist ja tolmuimeja üksteisele lähemale. Maksimaalne ülekandekaugus on umbes 10 m, kuid see võib olenevalt asjaoludest varieeruda.
Teiste seadmete tekitatud raadiohääring, mis tekitab väga intensiivseid raadiolaineid.		Hoidke tööriista ja tolmuimejat WiFi-seadmetest ja mikrolaineahjudest eemal.
Tolmuimeja töötab, kui tööriist ei tööta.	Teised kasutajad kasutavad oma tööriistaga tolmuimeja juhtmeta aktiveerimist.	Lülitage teiste tööriistade juhtmeta aktiveerimise nupp välja või tühistage teiste tööriistade registreerimine.

## HOOLDUS

**⚠ETTEVAATUST:** Enne kontroll- või hooldustöimingute tegemist kandke alati hoolt selle eest, et tööriist oleks välja lülitatud ja akukassett korpuse küljest eemaldatud.

**⚠ETTEVAATUST:** Puhastage ülemisi ja alumisi kaitsepiirdeid neile kogunenud saepurust, mis võib takistada alumise kaitseüsteemi toimimist. Määratud kaitseüsteem võib piirata nõuetekohast talitlust, mille tagajärjeks võib olla tõsine kehavigastus. Kõige tõhusam on kasutada puhastamiseks suruõhku. Tolmu väljapuhumisel kaitsepiiretest kasutage kindlasti nõuetekohaseid silmade ja hingamisteede kaitsevahendeid.

**⚠ETTEVAATUST:** Pärast iga kasutust pühkige maha tööriistale kogunenud saetolm. Peen saetolm võib siseneda tööriista ja põhjustada rikke või tulekahju.

**TÄHELEPANU:** Ärge kunagi kasutage bensiini, vedeldit, alkoholi ega midagi muud sarnast. Selle tulemuseks võib olla luitumine, deformatsioon või pragunemine.

Toote OHUTUSE ja TÖÖKINDLUSE tagamiseks tuleb vajalikud remonttööd ning muud hooldus- ja reguleerimistööd lasta teha Makita volitatud teeninduskeskustes või tehase teeninduskeskustes. Alati tuleb kasutada Makita varuosi.

## 0° või 45° lõiketäpsuse reguleerimine

**TÄHELEPANU:** 0°-lõike täpsuse reguleerimise ajal ärge -1° kaldenurga hoobasid rakendage.

**TÄHELEPANU:** 45°-lõike täpsuse reguleerimise ajal ärge rakendage 22,5° või 60° kaldenurga positiivset sulgurit.

See on tehases reguleeritud. Kui see on vale, saate seda reguleerida järgneva protseduuri eeskujul.

1. Lõdvendage pitskrui tööriista eest ja tagant nii, et kaldenurka saaks muuta. Kui te hakkate reguleerima 45°-lõike täpsust, viige positiivne sulgur 45° kaldenurga asendisse.

► **Joon.46:** 1. Pitskrui 2. Positiivne sulgur

2. Seadke kolmnurkjoonlaua abil alus ketassaetera suhtes risti või 45° alla, pöörates selleks kuuskantvõtme reguleerimiskruvi. 0° nurga reguleerimiseks võite samuti kasutada nurgikut.

► **Joon.47:** 1. Kolmnurkjoonlaud

► **Joon.48:** 1. Krui reguleerimine 0° nurga jaoks  
2. Krui reguleerimine 45° nurga jaoks

3. Pingutage pitskrui ning kontrollige proovilõikega, kas saadud nurk on õige.

## Sügavusjuhiku reguleerimine

Kui alus ei libise sujuvalt üles või alla, võib sügavusjuhik olla kalde all. Sügavusjuhikut saate reguleerida järgmiselt.

1. Pange alus sügavusjuhiku suhtes risti ja seadke kõige sügavam lõikesügavus.
2. Keerake sügavusjuhiku reguleerimiskruvid lahti. Sügavusjuhik reguleerib automaatselt oma asendit.
3. Keerake sügavusjuhiku reguleerimiskruvid kinni.
4. Reguleerige paralleelsust, infot selle kohta lugege paralleelsuse jaotisest.

► **Joon.49:** 1. Sügavusjuhiku reguleerimiskruvid

## Paralleelsuse reguleerimine

**⚠ETTEVAATUST:** Hoidke paralleelsus täpne. Muidu võib ketassaetera minna juhtpiirdesse ja kahjustatud juhtpiire võib põhjustada vigastusi.

See on tehases reguleeritud. Kui see on vale, saate seda reguleerida järgneva protseduuri eeskujul.

1. Seadke tööriist maksimaalsele lõikesügavusele.
2. Veenduge, et kõik hoovad ja kruvid oleks kinni keeratud.
3. Lõdvendage kruvid joonisel näidatud asendisse.
4. Alumise piirde avamise ajal nihutage aluse tagumist osa nii, et vahekaugused A ja B muutuksid võrdseks.

► **Joon.50:** 1. Krui 2. Alus

5. Pingutage kruvid ja tehke paralleelsuse kontrollimiseks proovilõige.

## VALIKULISED TARVIKUD

**⚠ETTEVAATUST:** Neid tarvikuid ja lisaseadiseid on soovitatav kasutada koos Makita tööriistaga, mille kasutamist selles kasutusjuhendis kirjeldatakse. Muude tarvikute ja lisaseadiste kasutamisega kaasneb vigastada saamise oht. Kasutage tarvikuid ja lisaseadiseid ainult otstarbekohaselt.

Saate vajaduse korral kohalikust Makita teeninduskeskusest lisateavet nende tarvikute kohta.

- Ketassaetera
- Alumine alus
- Juhtpiire
- Kaldlõike juhik
- Klamber
- Leht
- Kummileht
- Asendileht
- Kuuskantvõti
- Esimansett 24
- Juhtmeta seade
- Makita algupärane aku ja laadija

**MÄRKUS:** Mõned nimekirjas loetletud tarvikud võivad kuuluda standardvarustusse ning need on lisatud tööriista pakendisse. Need võivad riigiti erineda.



## ТЕХНИЧЕСКИЕ ХАРАКТЕРИСТИКИ

Модель:		HS011G		
Диаметр диска		255 мм	260 мм	270 мм
Макс. глубина резки	под углом 0°	94 мм	97 мм	101 мм
	со скосом 45	65 мм	68 мм	71 мм
	со скосом 60	45 мм	48 мм	51 мм
Число оборотов без нагрузки		3 500 мин <sup>-1</sup>		
Общая длина		453 мм		
Номинальное напряжение		36 В - 40 В пост. тока макс.		
Масса нетто		5,5 - 6,7 кг		

- Благодаря нашей постоянно действующей программе исследований и разработок указанные здесь технические характеристики могут быть изменены без предварительного уведомления.
- Технические характеристики и аккумуляторный блок могут отличаться в зависимости от страны.
- Масса может отличаться в зависимости от дополнительного оборудования. Обратите внимание, что блок аккумулятора также считается дополнительным оборудованием. В таблице представлены комбинации с наибольшим и наименьшим весом в соответствии с процедурой EPTA 01/2014.

### Подходящий блок аккумулятора и зарядное устройство

Блок аккумулятора	BL4020 / BL4025 / BL4040 / BL4050F* / BL4080F* *: рекомендуемый аккумулятор
Зарядное устройство	DC40RA / DC40RB / DC40RC

- В зависимости от региона проживания некоторые блоки аккумуляторов и зарядные устройства, перечисленные выше, могут быть недоступны.

**⚠ОСТОРОЖНО:** Используйте только перечисленные выше блоки аккумуляторов и зарядные устройства. Использование других блоков аккумуляторов и зарядных устройств может привести к травме и/или пожару.

### Назначение

Данный инструмент предназначен для прямолинейного продольного и поперечного пиления, а также пиления древесины под углом при наличии надежного контакта с распиливаемой деталью.

### Шум

Типичный уровень взвешенного звукового давления (A), измеренный в соответствии с EN62841-2-5:  
 Уровень звукового давления ( $L_{pA}$ ): 93 дБ (A)  
 Уровень звуковой мощности ( $L_{WA}$ ): 104 дБ (A)  
 Погрешность (K): 3 дБ (A)

**ПРИМЕЧАНИЕ:** Заявленное значение распространения шума измерено в соответствии со стандартной методикой испытаний и может быть использовано для сравнения инструментов.

**ПРИМЕЧАНИЕ:** Заявленное значение распространения шума можно также использовать для предварительных оценок воздействия.

**⚠ОСТОРОЖНО:** Используйте средства защиты слуха.

**⚠ОСТОРОЖНО:** Распространение шума во время фактического использования электроинструмента может отличаться от заявленного значения в зависимости от способа применения инструмента и в особенности от типа обрабатываемой детали.

**⚠ОСТОРОЖНО:** Обязательно определите меры безопасности для защиты оператора, основанные на оценке воздействия в реальных условиях использования (с учетом всех этапов рабочего цикла, таких как выключение инструмента, работа без нагрузки и включение).

### Вибрация

Суммарное значение вибрации (сумма векторов по трем осям), определенное в соответствии с EN62841-2-5:  
 Рабочий режим: распиливание древесины  
 Распространение вибрации ( $a_{h,w}$ ): 2,5 м/с<sup>2</sup> или менее  
 Погрешность (K): 1,5 м/с<sup>2</sup>

**ПРИМЕЧАНИЕ:** Заявленное общее значение распространения вибрации измерено в соответствии со стандартной методикой испытаний и может быть использовано для сравнения инструментов.

**ПРИМЕЧАНИЕ:** Заявленное общее значение распространения вибрации можно также использовать для предварительных оценок воздействия.

**⚠ОСТОРОЖНО:** Распространение вибрации во время фактического использования электроинструмента может отличаться от заявленного значения в зависимости от способа применения инструмента и в особенности от типа обрабатываемой детали.

**⚠ОСТОРОЖНО:** Обязательно определите меры безопасности для защиты оператора, основанные на оценке воздействия в реальных условиях использования (с учетом всех этапов рабочего цикла, таких как выключение инструмента, работа без нагрузки и включение).

## Декларация о соответствии ЕС

*Только для европейских стран*

Декларация о соответствии ЕС включена в руководство по эксплуатации (Приложение А).

## МЕРЫ БЕЗОПАСНОСТИ

### Общие рекомендации по технике безопасности для электроинструментов

**⚠ОСТОРОЖНО:** Ознакомьтесь со всеми представленными инструкциями по технике безопасности, указаниями, иллюстрациями и техническими характеристиками, прилагаемыми к данному электроинструменту. Несоблюдение каких-либо инструкций, указанных ниже, может привести к поражению электрическим током, пожару и/или серьезной травме.

### Сохраните брошюру с инструкциями и рекомендациями для дальнейшего использования.

Термин "электроинструмент" в предупреждениях относится ко всему инструменту, работающему от сети (с проводом) или на аккумуляторах (без провода).

## Правила техники безопасности при эксплуатации аккумуляторной циркулярной пилы

### Процедуры резки

- 1. ⚠ОПАСНО:** Держите руки на расстоянии от места распила и пилы. Держите вторую руку на дополнительной ручке или корпусе двигателя. Удержание инструмента обеими руками позволит избежать попадания рук диск пилы.
- 2. Не наклоняйтесь под обрабатываемую деталь.** Защитный кожух не защитит вас от диска под обрабатываемой деталью.
- 3. Отрегулируйте глубину распила в соответствии с толщиной детали.** Под распиливаемой деталью должен быть виден почти весь зуб пилы.
- 4. Запрещается держать деталь руками и ставить ее поперек ноги во время работы.** Закрепите обрабатываемую деталь на устойчивом основании. Важно обеспечить правильную фиксацию детали для снижения до минимума риска получения травм, заклинивания диска или потери контроля.

### ► Рис.1

- 5. Если при выполнении работ существует риск контакта режущего инструмента со скрытой электропроводкой, держите электроинструмент за специально предназначенные изолированные поверхности.** Контакт с проводом под напряжением приведет к тому, что металлические детали инструмента также будут под напряжением, что может стать причиной поражения оператора электрическим током.
- 6. Обязательно пользуйтесь направляющей планкой или направляющей с прямым краем при продольной распиловке.** Это повышает точность распила и снижает риск изгиба диска.
- 7. Обязательно используйте диски соответствующего размера и формы отверстий для оправки (ромбовидные или круглые).** Диски с несоответствующим креплением будут работать эксцентрически, что приведет к потере контроля над инструментом.
- 8. Запрещается использовать поврежденные или несоответствующие пиле шайбы или болт крепления.** Шайбы и болт крепления диска были специально разработаны для данной пилы с целью обеспечения оптимальных эксплуатационных характеристик и безопасности работы.

### Причины отдачи и соответствующие предупреждения

- отдача - это мгновенная реакция на защемление, застревание или нарушение соосности пильного диска, приводящая к неконтролируемому подъему пилы и ее движению из детали по направлению к оператору;
- если диск защемлен или жестко ограничивается пропилом снизу, он прекратит вращаться, и реакция двигателя приведет к тому, что инструмент начнет быстро двигаться в сторону оператора;

- если диск становится изогнутым или неправильно ориентированным в распиле, зубья на задней стороне диска могут цепляться за верхнюю поверхность распиливаемой древесины, что приведет к выскакиванию диска из пропила и его движению в сторону оператора.

Отдача - это результат неправильного использования пилы и/или неправильных процедур или условий эксплуатации. Ее можно избежать, соблюдая меры предосторожности, указанные ниже.

1. **Крепко держите пилу обеими руками и располагайте руки так, чтобы они могли справиться с отдачей. Располагайтесь с боковой стороны циркулярной пилы, а не на одной линии с ней.** Отдача может привести к отскакиванию дисковой пилы назад, однако силы отдачи могут контролироваться оператором при условии соблюдения соответствующих мер предосторожности.
2. **При изгибании пилы или прекращении пиления по какой-либо причине отпустите триггерный переключатель и держите пилу без ее перемещения в детали до полной остановки вращения диска. Не пытайтесь вытащить пилу из распиливаемой детали или потянуть пилу назад, когда пила продолжает вращаться. Это может привести к отдаче.** Проверьте и выполните действия по устранению причины заклинивания диска.
3. **При повторном включении пилы, когда она находится в детали, отцентрируйте пильный диск в пропиле так, чтобы зубья пилы не касались распиливаемой детали.** Если пильный диск изогнется, пила может приподняться или возникнет обратная отдача при повторном запуске пилы.
4. **Поддерживайте большие панели для снижения риска заклинивания и отдачи диска.** Большие панели провисают под собственным весом. Опоры необходимо располагать под панелью с обеих сторон, около линии распила и около края панели.

#### ► Рис.2

#### ► Рис.3

5. **Не используйте тупые или поврежденные диски.** Незаточенные или неправильно установленные диски приведут к узкому распилу, что вызовет чрезмерное трение, заклинивание диска и отдачу.
6. **Перед резкой необходимо крепко затянуть блокирующие рычаги глубины распила и регулировки скоса.** Если при резке регулировка диска нарушится, это может привести к заклиниванию диска и возникновению отдачи.
7. **Будьте особенно осторожны при распиливании уже имеющихся стен или иных поверхностей, недоступных для осмотра.** Выступающий диск пилы может столкнуться с предметами, которые могут вызвать отдачу инструмента.
8. **ВСЕГДА держите инструмент крепко обеими руками. НИКОГДА не помещайте свои руки, ноги или иные части тела под основание инструмента или позади пилы, особенно при выполнении поперечных распилов.** В случае отдачи пила может легко отскочить назад на вашу руку, что приведет к серьезной травме.

#### ► Рис.4

9. **Никогда не прилагайте повышенных усилий к пиле. Двигайте пилу вперед со скоростью, которая позволяет дисковой пиле пилить без снижения скорости.** Приложение повышенных усилий к дисковой пиле может привести к неравномерному распилу, снижению точности и возможной отдаче.

#### Функционирование ограждения

1. **Перед каждым использованием убеждайтесь в том, что нижний защитный кожух надежно закрыт. Не эксплуатируйте пилу, если нижний защитный кожух не перемещается свободно и мгновенно не закрывается.** Запрещается фиксировать нижний защитный кожух в открытом положении каким бы то ни было способом. При случайном падении пилы кожух может погнуться. Поднимите нижний защитный кожух при помощи ручки подъема и убедитесь в его свободном перемещении и в том, что он не касается пилы или других деталей при любом угле и глубине распила.
2. **Проверьте работу пружины нижнего защитного кожуха.** Если щиток и пружина не работают надлежащим образом, их необходимо отремонтировать перед использованием пилы. Нижний защитный кожух может работать медленно из-за поврежденных деталей, отложения смол или скопления мусора.
3. **Нижний защитный кожух можно поднимать вручную только при специальных распилах, таких как “врезание” или “комплексная резка”.** Поднимите нижний кожух, отодвинув рукоятку назад; как только диск войдет в материал, нижний защитный кожух обязательно нужно вернуть на место. При осуществлении любых других распилов нижний защитный кожух должен работать автоматически.
4. **Перед тем как положить пилу на верстак или на пол, обязательно убедитесь, что нижний защитный кожух закрывает режущий диск.** Незащищенный, вращающийся по инерции диск пилы может непреднамеренно двинуться назад, распиливая все, что попадется на пути. Помните о времени, необходимом для полной остановки пилы после отключения выключателя.
5. **Для проверки нижнего кожуха вручную откройте нижний защитный кожух, затем отпустите и убедитесь, что он закрылся. Также убедитесь в том, что убирающаяся ручка не касается корпуса.** Открытая пила **ОЧЕНЬ ОПАСНА** и может привести к серьезной травме.

#### Дополнительные предупреждения о безопасности

1. **Будьте особенно осторожны при распиливании сырой, прессованной или сучковатой древесины.** Сохраняйте постоянную скорость подачи без снижения оборотов диска, чтобы избежать перегрева кромки диска.
2. **Не пытайтесь убирать отрезанные детали при вращении диска. Перед удалением распиленных деталей дождитесь полной остановки пилы.** После выключения диск будет вращаться еще некоторое время.

3. Избегайте попадания режущего инструмента на гвозди. Перед распиливанием осмотрите деталь и удалите из нее все гвозди.
4. Устанавливайте более широкую часть основания пилы на ту часть обрабатываемой детали, которая имеет хорошую опору, а не на ту часть, которая упадет после отпиливания. Если распиливаемая деталь короткая или маленькая, ее необходимо закрепить. **НЕ ПЫТАЙТЕСЬ УДЕРЖИВАТЬ КОРОТКИЕ ДЕТАЛИ РУКОЙ!**

► Рис.5

5. Перед размещением пилы после завершения распила убедитесь, что нижний защитный кожух закрылся и пила полностью прекратила вращаться.
6. Никогда не пытайтесь осуществлять распиливание, закрепив циркулярную пилу в перевернутом виде. Это очень опасно и может привести к серьезным травмам.

► Рис.6

7. Некоторые материалы могут содержать токсичные химические вещества. Примите соответствующие меры предосторожности, чтобы избежать вдыхания или контакта с кожей таких веществ. Соблюдайте требования, указанные в паспорте безопасности материала.
8. Не пытайтесь остановить пилу путем бокового давления на пильный диск.
9. Не используйте абразивные круги.
10. Разрешается использовать только пильные диски с диаметром, соответствующим указанному на инструменте или в руководстве. Применение диска неверного размера может препятствовать надлежащей защите диска или мешать работе защитного кожуха, что, в свою очередь, может стать причиной серьезных травм.
11. Пилы должны быть острыми и чистыми. Смола и древесный пек, затвердевшие на пильных дисках, снижают производительность пилы и повышают потенциальный риск отдачи. Содержите пилу в чистоте. Для этого снимите ее с инструмента и очистите растворителем смолы и древесного пека, горячей водой или керосином. Запрещается использовать бензин.
12. При использовании инструмента надевайте пылезащитную маску и используйте средства защиты слуха.
13. Используйте пильные диски, соответствующие материалу заготовки.
14. Используйте только пильные диски, маркировка максимальной скорости которых равна или выше скорости, указанной на инструменте.
15. (Только для европейских стран) Используйте диски, соответствующие EN847-1.
16. Разместите инструмент и детали на ровной и устойчивой поверхности. В противном случае инструмент или детали могут упасть и стать причиной травмы.

## СОХРАНИТЕ ДАННЫЕ ИНСТРУКЦИИ.

**▲ОСТОРОЖНО: НЕ ДОПУСКАЙТЕ**, чтобы удобство или опыт эксплуатации данного устройства (полученный от многократного использования) доминировали над строгим соблюдением правил техники безопасности при обращении с этим устройством. **НЕПРАВИЛЬНОЕ ИСПОЛЬЗОВАНИЕ** инструмента или несоблюдение правил техники безопасности, указанных в данном руководстве, может привести к тяжелой травме.

## Важные правила техники безопасности для работы с аккумуляторным блоком

1. Перед использованием аккумуляторного блока прочитайте все инструкции и предупреждающие надписи на (1) зарядном устройстве, (2) аккумуляторном блоке и (3) инструменте, работающем от аккумуляторного блока.
2. Не разбирайте блок аккумулятора и не меняйте его конструкцию. Это может привести к пожару, перегреву или взрыву.
3. Если время работы аккумуляторного блока значительно сократилось, немедленно прекратите работу. В противном случае, может возникнуть перегрев блока, что приведет к ожогам и даже к взрыву.
4. В случае попадания электролита в глаза промойте их обильным количеством чистой воды и немедленно обратитесь к врачу. Это может привести к потере зрения.
5. Не замыкайте контакты аккумуляторного блока между собой:
  - (1) Не прикасайтесь к контактам какими-либо токопроводящими предметами.
  - (2) Не храните аккумуляторный блок в контейнере вместе с другими металлическими предметами, такими как гвозди, монеты и т. п.
  - (3) Не допускайте попадания на аккумуляторный блок воды или дождя.
- Замыкание контактов аккумуляторного блока между собой может привести к возникновению большого тока, перегреву, возможным ожогам и даже поломке блока.
6. Не храните и не используйте инструмент и аккумуляторный блок в местах, где температура может достигать или превышать 50 °C (122 °F).
7. Не бросайте аккумуляторный блок в огонь, даже если он сильно поврежден или полностью вышел из строя. Аккумуляторный блок может взорваться под действием огня.
8. Запрещено вбивать гвозди в блок аккумулятора, резать, ломать, бросать, ронять блок аккумулятора или ударять его твердым предметом. Это может привести к пожару, перегреву или взрыву.
9. Не используйте поврежденный аккумуляторный блок.

10. **Входящие в комплект литий-ионные аккумуляторы должны эксплуатироваться в соответствии с требованиями законодательства об опасных товарах.**

При коммерческой транспортировке, например, третьей стороной или экспедитором, необходимо нанести на упаковку специальные предупреждения и маркировку.

В процессе подготовки устройства к отправке обязательно проконсультируйтесь со специалистом по опасным материалам. Также соблюдайте местные требования и нормы. Они могут быть строже.

Закройте или закрепите разомкнутые контакты и упакуйте аккумулятор так, чтобы он не перемещался по упаковке.

11. **Для утилизации блока аккумулятора извлеките его из инструмента и утилизируйте безопасным способом. Выполните требования местного законодательства по утилизации аккумуляторного блока.**
12. **Используйте аккумуляторы только с продукцией, указанной Makita.** Установка аккумуляторов на продукцию, не соответствующую требованиям, может привести к пожару, перегреву, взрыву или утечке электролита.
13. **Если инструментом не будут пользоваться в течение длительного периода времени, извлеките аккумулятор из инструмента.**
14. **Во время и после использования блок аккумулятора может нагреваться, что может стать причиной ожогов или низкотемпературных ожогов. Будьте осторожны при обращении с горячим блоком аккумулятора.**
15. **Не прикасайтесь к контактам инструмента сразу после использования, поскольку они могут быть достаточно горячими, чтобы вызвать ожоги.**
16. **Не допускайте налипания на контакты, отверстия и пазы блока аккумулятора опилок, пыли или земли.** Это может стать причиной перегрева, возгорания, взрыва или неисправности инструмента или блока аккумулятора, что может привести к ожогам или травмам.
17. **Если инструмент не рассчитан на использование вблизи высоковольтных линий электропередач, не используйте блок аккумулятора вблизи высоковольтных линий электропередач.** Это может привести к неисправности, поломке инструмента или блока аккумулятора.
18. **Храните аккумулятор в недоступном для детей месте.**

## **СОХРАНИТЕ ДАННЫЕ ИНСТРУКЦИИ.**

**▲ВНИМАНИЕ:** Используйте только фирменные аккумуляторные батареи Makita.

Использование аккумуляторных батарей, не произведенных Makita, или батарей, которые были подвергнуты модификациям, может привести к взрыву аккумулятора, пожару, травмам и повреждению имущества. Это также автоматически аннулирует гарантию Makita на инструмент и зарядное устройство Makita.

## **Советы по обеспечению максимального срока службы аккумулятора**

1. **Заряжайте блок аккумуляторов перед его полной разрядкой.** Обязательно прекратите работу с инструментом и зарядите блок аккумуляторов, если вы заметили снижение мощности инструмента.
2. **Никогда не подзаряжайте полностью заряженный блок аккумуляторов.** Перезарядка сокращает срок службы аккумулятора.
3. **Заряжайте блок аккумуляторов при комнатной температуре в 10 - 40 °C (50 - 104 °F).** Перед зарядкой горячего блока аккумуляторов дайте ему остыть.
4. **Если блок аккумулятора не используется, извлеките его из инструмента или зарядного устройства.**
5. **Зарядите ионно-литиевый аккумуляторный блок, если вы не будете пользоваться инструментом длительное время (более шести месяцев).**

### **Важные правила техники безопасности для работы с беспроводным блоком**

1. **Не разбирайте и не меняйте конструкцию беспроводного блока.**
2. **Храните беспроводной блок в недоступном для детей месте.** При случайном проглатывании немедленно обратитесь к врачу.
3. **Используйте беспроводной блок только с инструментами Makita.**
4. **Не подвергайте беспроводной блок воздействию дождя или влаги.**
5. **Не используйте беспроводной блок в тех местах, где температура превышает 50 °C.**
6. **Не используйте беспроводной блок в тех местах, где поблизости могут находиться медицинские инструменты, например, кардиостимуляторы.**
7. **Не используйте беспроводной блок в тех местах, где могут находиться автоматизированные устройства.** При использовании автоматизированных устройств могут возникнуть сбои или ошибки.
8. **Не используйте беспроводной блок в местах, где он может подвергаться воздействию высокой температуры, статического электричества или электрических помех.**
9. **Беспроводной блок может создавать электромагнитные поля (EMF), которые не представляют опасности для пользователя.**
10. **Беспроводной блок является точным инструментом. Не роняйте и не ударяйте беспроводной блок.**
11. **Не прикасайтесь к клемме беспроводного блока голыми руками или металлическими предметами.**

12. Во время установки беспроводного блока обязательно вытащите аккумулятор из устройства.
13. Не открывайте крышку гнезда в таких местах, где в него может попасть пыль и вода. Входное отверстие гнезда всегда должно быть чистым.
14. Обязательно вставляйте беспроводной блок в правильном направлении.
15. Не нажимайте слишком сильно кнопку активации на беспроводном блоке и/или не нажимайте кнопку, используя объекты с острым краем.
16. Во время работы обязательно закрывайте крышку гнезда.
17. Не вытаскивайте беспроводной блок из гнезда, если на инструмент подано питание. Это может привести к неисправной работе беспроводного блока.
18. Не снимайте наклейку с беспроводного блока.
19. Не приклеивайте к беспроводному блоку никаких наклеек.
20. Не оставляйте беспроводной блок в таких местах, где может скапливаться статическое электричество или присутствовать электрические помехи.
21. Не оставляйте беспроводной блок в местах с высокой температурой, например на заднем сиденье автомобиля в жару.
22. Не оставляйте беспроводной блок в местах, где присутствует пыль или порошок, или может образоваться коррозионный газ.
23. Внезапное изменение температуры может привести к образованию конденсата на беспроводном блоке. Не используйте беспроводной блок до тех пор, пока конденсат полностью не высохнет.
24. При чистке беспроводного блока аккуратно протрите его сухой мягкой тканью. Не используйте бензин, разбавитель, проводящую смазку или аналогичные материалы.
25. При хранении беспроводного блока поместите его в поставляемый футляр или в контейнер без статического электричества.
26. Не вставляйте в гнездо на инструменте никаких других устройств, кроме беспроводного блока Makita.
27. Не используйте инструмент с поврежденной крышкой гнезда. В гнездо может попасть вода, пыль и грязь, это может привести к неисправности.
28. Не тяните и/или не скручивайте крышку гнезда сильнее, чем это необходимо. Если крышка отсоединилась от инструмента, установите ее на место.
29. Замените крышку гнезда, если она утеряна или повреждена.

## СОХРАНИТЕ ДАННЫЕ ИНСТРУКЦИИ.

## ОПИСАНИЕ РАБОТЫ

**▲ВНИМАНИЕ:** Перед регулировкой или проверкой функций инструмента обязательно убедитесь, что он выключен и его аккумуляторный блок снят.

### Установка или снятие блока аккумулятора

**▲ВНИМАНИЕ:** Обязательно выключайте инструмент перед установкой и извлечением аккумуляторного блока.

**▲ВНИМАНИЕ:** При установке и извлечении аккумуляторного блока крепко удерживайте инструмент и аккумуляторный блок. Если не соблюдать это требование, они могут выскользнуть из рук, что приведет к повреждению инструмента, аккумуляторного блока и травмированию оператора.

► **Рис.7:** 1. Красный индикатор 2. Кнопка 3. Блок аккумулятора

Для снятия аккумуляторного блока нажмите кнопку на лицевой стороне и извлеките блок.

Для установки блока аккумулятора совместите выступ блока аккумулятора с пазом в корпусе и задвиньте его на место. Устанавливайте блок до упора, чтобы он зафиксировался с небольшим щелчком. Если вы видите красный индикатор, как показано на рисунке, он не зафиксирован полностью.

**▲ВНИМАНИЕ:** Обязательно устанавливайте блок аккумулятора до конца, чтобы красный индикатор не был виден. В противном случае блок аккумулятора может выпасть из инструмента и нанести травму вам или другим людям.

**▲ВНИМАНИЕ:** Не прилагайте чрезмерных усилий при установке аккумуляторного блока. Если блок не двигается свободно, значит он вставлен неправильно.

### Система защиты инструмента/аккумулятора

На инструменте предусмотрена система защиты инструмента/аккумулятора. Она автоматически отключает питание двигателя для продления срока службы инструмента и аккумулятора. Инструмент автоматически остановится во время работы при возникновении указанных ниже ситуаций. В некоторых ситуациях загораются индикаторы.

### Защита от перегрузки

Если при текущем режиме эксплуатации инструмента/аккумулятора возникает слишком большой ток, то инструмент автоматически останавливается. В этом случае выключите инструмент и прекратите работу, из-за которой произошла перегрузка инструмента. Затем включите инструмент для перезапуска.



## Защита от перегрева

При перегреве инструмента/аккумулятора инструмент останавливается автоматически. В таком случае дайте инструменту остыть перед повторным включением.

**ПРИМЕЧАНИЕ:** При перегреве инструмента начинает мигать лампа.

## Защита от переразрядки

При истощении заряда аккумулятора инструмент автоматически останавливается. Если устройство не работает даже после нажатия переключателей, снимите аккумуляторы с инструмента и зарядите их.

## Защита от других неполадок

Система защиты также обеспечивает защиту от других неполадок, способных повредить инструмент, и обеспечивает автоматическую остановку инструмента. В случае временной остановки или прекращения работы инструмента выполните все перечисленные ниже действия для устранения причины остановки.

1. Выключите и снова включите инструмент для его перезапуска.
2. Зарядите аккумулятор(ы) или замените его(их) заряженным(и).
3. Дайте инструменту и аккумулятору (аккумуляторам) остыть.

Если после возврата системы защиты в исходное состояние ситуация не изменится, обратитесь в сервисный центр Makita.

## Индикация оставшегося заряда аккумулятора

Нажмите кнопку проверки на аккумуляторном блоке для проверки заряда. Индикаторы загорятся на несколько секунд.

► **Рис.8:** 1. Индикаторы 2. Кнопка проверки

Индикаторы			Уровень заряда
Горит	Выкл.	Мигает	
■	□	◐	от 75 до 100%
■ ■ ■ ■			
■ ■ ■	□		от 50 до 75%
■ ■	□ □		от 25 до 50%
■	□ □ □		от 0 до 25%
◐	□ □ □ □		Зарядите аккумуляторную батарею.
■ ■ □ □	□ □		Возможно, аккумуляторная батарея неисправна.
□ □ ■ ■			

**ПРИМЕЧАНИЕ:** В зависимости от условий эксплуатации и температуры окружающего воздуха индикация может незначительно отличаться от фактического значения.

**ПРИМЕЧАНИЕ:** Первая (дальняя левая) индикаторная лампа будет мигать во время работы защитной системы аккумулятора.

## Действие выключателя

**▲ОСТОРОЖНО:** Перед установкой аккумуляторного блока в инструмент обязательно убедитесь, что его триггерный переключатель нормально работает и возвращается в положение "OFF" (ВЫКЛ) при отпуске.

**▲ОСТОРОЖНО:** ЗАПРЕЩАЕТСЯ нарушать работу кнопки разблокировки, заклеивая ее скотчем или другими способами. Выключатель с неработающей кнопкой разблокировки может стать причиной случайного включения и причинения тяжелой травмы.

**▲ОСТОРОЖНО:** ЗАПРЕЩАЕТСЯ использовать инструмент, когда он работает при простом нажатии на триггерный переключатель без нажатия на кнопку разблокировки. Требуемый ремонт инструмента может случайно включиться и причинить тяжелую травму. Верните инструмент в сервисный центр Makita для надлежащего ремонта ДО продолжения его эксплуатации.

Для предотвращения непреднамеренного включения триггерного переключателя имеется кнопка разблокировки. Для запуска инструмента, отпустите кнопку блокировки, затем потяните триггерный переключатель. Отпустите триггерный переключатель для остановки.

► **Рис.9:** 1. Триггерный переключатель 2. Кнопка разблокировки

**ПРИМЕЧАНИЕ:** Не нажимайте сильно на триггерный переключатель без нажатия на кнопку разблокировки. Это может привести к поломке переключателя.

**▲ВНИМАНИЕ:** Механизм торможения диска циркулярной пилы начинает срабатывать сразу же после того, как оператор отпускает триггерный переключатель. Крепко держите инструмент, чтобы при отпуске триггерного переключателя противодействовать отдаче механизма торможения. В противном случае вы можете выпустить инструмент из рук и травмироваться.



## Регулировка глубины пропила

**⚠ ВНИМАНИЕ:** После регулировки глубины реза всегда крепко затягивайте рычаг.

Ослабьте рычаг на направляющей глубины и переместите основание вверх или вниз. Установив необходимую глубину реза, закрепите основание путем затяжки рычага.

Для чистого и безопасного распиливания установите глубину пропила так, чтобы под распиливаемой деталью дисковая пила выступала не более чем на один зуб. Установка надлежащей глубины пропила снижает вероятность опасной ОТДАЧИ, которая может причинить травму.

► **Рис.10:** 1. Рычаг

**ПРИМЕЧАНИЕ:** Если основание не перемещается вверх или вниз плавно, возможно, направляющая наклонена. В этом случае отрегулируйте направляющую глубины (см. раздел о регулировке направляющей глубины).

## Резка под углом

**⚠ ВНИМАНИЕ:** После регулировки угла скоса всегда крепко затягивайте зажимные винты.

Ослабьте зажимные винты. Установите желаемый угол, соответственно наклоняя основание, и затем надежно затяните винты.

► **Рис.11:** 1. Зажимной винт

## Упор-ограничитель

Упор-ограничитель позволяет быстро задать необходимый угол. Поверните упор-ограничитель таким образом, чтобы стрелка на нем указывала на необходимый угол скоса (около 22,5°/45°/60°). Ослабьте рычаг и наклоняйте основание инструмента до остановки. Положение, в котором остановится основание инструмента, и есть угол установки упор-ограничителя. Затяните рычаг, когда основание инструмента окажется в этом положении.

► **Рис.12:** 1. Упор-ограничитель

## Угол скоса -1°

Для достижения угла скоса -1° ослабьте зажимные винты и переведите рычаги в указанном стрелкой направлении, как показано на рисунке. Затем установите угол скоса -1° и затяните зажимные винты.

► **Рис.13:** 1. Рычаг

## Наведение

Для прямого пропила совместите положение 0° лицевой стороны основания с вашей линией разреза. Для реза со скосом 45° совместите положение 45° с линией распиливания.

► **Рис.14:** 1. Линия разреза (положение 0°)  
2. Линия разреза (положение 45°)

## Включение лампы

**⚠ ВНИМАНИЕ:** Не смотрите непосредственно на свет или источник света.

Чтобы включить лампу без остановки инструмента, потяните триггерный переключатель, не нажимая кнопку разблокировки.

Для включения лампы во время работы инструмента нажмите и удерживайте кнопку разблокировки, а затем потяните триггерный переключатель.

Лампа гаснет через 10 секунд после отпускания триггерного переключателя.

► **Рис.15:** 1. Лампа

**ПРИМЕЧАНИЕ:** Для удаления пыли с линзы лампы используйте сухую ткань. Не допускайте возникновения царапин на линзе лампы, так как это приведет к снижению освещенности.

## Электрический тормоз

Этот инструмент оснащен электрическим тормозом диска. Если после отпускания пускового рычага диск циркулярной пилы зачастую продолжает некоторое время вращаться, отнесите инструмент в сервисный центр Makita для обслуживания.

**⚠ ВНИМАНИЕ:** Тормозная система диска не является заменой кожуха диска. **ЗАПРЕЩАЕТСЯ ИСПОЛЬЗОВАТЬ ИНСТРУМЕНТ, ЕСЛИ КОЖУХ ДИСКА НЕ РАБОТАЕТ. ЭТО МОЖЕТ ПРИВЕСТИ К ТЯЖЕЛОЙ ТРАВМЕ.**

## Электронная функция

Инструменты, в которых доступны электронные функции, просты в эксплуатации благодаря следующим характеристикам.

### Функция плавного запуска

Плавный запуск благодаря подавлению начального удара.

### Контроль постоянной скорости

Электронное управление скоростью инструмента для достижения постоянной скорости. Возможность получения тонкой отделки, поскольку скорость вращения держится на постоянном уровне даже в условиях нагрузки.

## СБОРКА

**⚠ ВНИМАНИЕ:** Перед проведением каких-либо работ с инструментом обязательно убедитесь, что инструмент отключен, а блок аккумулятора снят.

## Хранение шестигранного ключа

Когда шестигранный ключ не используется, храните его, как показано на рисунке, чтобы не потерять.

► **Рис.16:** 1. Шестигранный ключ

## Установка подосновы

Установите подоснову и надежно затяните зажимные винты, как показано на рисунке. Всегда используйте инструмент с подосновой, за исключением тех случаев, когда используется направляющий рельс.

► **Рис.17:** 1. Зажимной винт 2. Подоснова

## Установка или снятие диска циркулярной пилы

**▲ВНИМАНИЕ:** Обязательно проверяйте правильность установки диска циркулярной пилы. Зубья должны смотреть вверх в передней части инструмента.

**▲ВНИМАНИЕ:** Для снятия или установки диска циркулярной пилы пользуйтесь только ключом Makita.

1. Ослабьте рычаг на направляющей глубины и переместите основание вверх или вниз.

► **Рис.18:** 1. Рычаг

2. Установите внутренний фланец, кольцо (в зависимости от страны), диск циркулярной пилы, наружный фланец и болт с шестигранной головкой. При этом совместите направление стрелки на диске со стрелкой на инструменте.

### Для инструмента без кольца

► **Рис.19:** 1. Болт с шестигранной головкой  
2. Наружный фланец 3. Диск циркулярной пилы 4. Внутренний фланец  
5. Стрелка на диске циркулярной пилы  
6. Стрелка на инструменте

### Для инструмента с кольцом

► **Рис.20:** 1. Болт с шестигранной головкой  
2. Наружный фланец 3. Диск циркулярной пилы 4. Кольцо 5. Внутренний фланец 6. Стрелка на диске циркулярной пилы 7. Стрелка на инструменте

3. Нажмите фиксатор вала до упора, чтобы диск циркулярной пилы не мог вращаться, и затяните болт с шестигранной головкой с помощью шестигранного ключа.

► **Рис.21:** 1. Фиксатор вала 2. Шестигранный ключ  
3. Ослабить 4. Затянуть

Для снятия диска циркулярной пилы выполните процедуру установки в обратном порядке.

## Для инструмента с внутренним фланцем под пильный диск с отверстием, размер которого не соответствует стандарту в 15,88 мм

На одной стороне внутреннего фланца имеется выступ определенного диаметра, отличающийся от диаметра выступа на противоположной стороне. Правильно выберите сторону, выступ на которой точно соответствует отверстию на пильном диске. Установите внутренний фланец на вал так, чтобы правильная сторона выступа на внутреннем фланце была обращена наружу, после чего установите диск и внешний фланец.

► **Рис.22:** 1. Установочный вал 2. Внутренний фланец 3. Диск циркулярной пилы  
4. Наружный фланец 5. Болт с шестигранной головкой

**▲ОСТОРОЖНО:** ОБЯЗАТЕЛЬНО ЗАТЯНИТЕ БОЛТ С ШЕСТИГРАННОЙ ГОЛОВКОЙ ПО ЧАСОВОЙ СТРЕЛКЕ. Не перетягивайте болт. Соскальзывание руки с шестигранного ключа может стать причиной травмы.

**▲ОСТОРОЖНО:** Убедитесь, что наружный выступ "а" на внутреннем фланце точно входит в отверстие "а" пильного диска. Установка диска неверной стороной может привести к возникновению опасной вибрации.

## Для инструмента с внутренним фланцем под пильный диск с отверстием диаметром 15,88 мм (зависит от страны)

Установите внутренний фланец на вал утопленной частью наружу, затем установите пильный диск (при необходимости – с установленным кольцом), внешний фланец и болт с шестигранной головкой.

### Для инструмента без кольца

► **Рис.23:** 1. Установочный вал 2. Внутренний фланец 3. Диск циркулярной пилы  
4. Наружный фланец 5. Болт с шестигранной головкой

### Для инструмента с кольцом

► **Рис.24:** 1. Установочный вал 2. Внутренний фланец 3. Диск циркулярной пилы  
4. Наружный фланец 5. Болт с шестигранной головкой 6. Кольцо

**▲ОСТОРОЖНО:** ОБЯЗАТЕЛЬНО ЗАТЯНИТЕ БОЛТ С ШЕСТИГРАННОЙ ГОЛОВКОЙ ПО ЧАСОВОЙ СТРЕЛКЕ. Не перетягивайте болт. Соскальзывание руки с шестигранного ключа может стать причиной травмы.

**▲ОСТОРОЖНО:** Перед установкой диска на шпindelь всегда проверяйте, что между внутренним и внешним фланцами установлено кольцо с соответствующим отверстием для того диска, который вы собираетесь использовать. Использование неправильного кольца с отверстием может привести к неправильной установке диска, что вызовет его перемещение и сильную вибрацию, которая может стать причиной потери контроля над инструментом во время работы и причинения тяжелых травм.

## Очистка ограждения диска

При замене диска циркулярной пилы убедитесь, что вы почистили верхнее и нижнее ограждение диска от скопившихся опилок в соответствии с инструкциями в разделе "Техническое обслуживание". Подобные меры не заменяют необходимость проверки нижнего защитного кожуха перед каждым использованием.

## Подключение пылесоса

### Дополнительные принадлежности

При необходимости выполнения чистого распиливания подключите к вашему инструменту пылесос Makita. Подсоедините шланг пылесоса к пылесборному патрубку с помощью передних патрубков 24.

► **Рис.25:** 1. Шланг пылесоса 2. Передние патрубки 24 3. Пылесборный патрубок

## Регулировка угла наклона пылесборного патрубка

Угол наклона пылесборного патрубка можно отрегулировать путем вращения пылесборного патрубка. Во время работы с инструментом без подсоединенного пылесоса опускайте пылесборный патрубок вниз, чтобы оператор не подвергался воздействию потока опилок.

Во время работы с инструментом с подсоединенным пылесосом поднимайте пылесборный патрубок вверх, чтобы шланг пылесоса не попал в заготовку или направляющий рельс.

► **Рис.26:** 1. Пылесборный патрубок

## ЭКСПЛУАТАЦИЯ

Этот инструмент предназначен для распиливания только лесоматериалов.

Посетите наш веб-сайт или обратитесь к местному дилеру компании Makita для получения информации о дисках циркулярной пилы, подходящих для распиливания материала.

Не используйте инструмент без подосновы, за исключением тех случаев, когда используется направляющий рельс.

## Проверка работы защитного кожуха диска

Снимите блок аккумулятора.

Установите угол скоса на 0°, вручную выдвиньте нижний защитный кожух до конца и извлеките его.

Нижний защитный кожух работает правильно, если:

- он выходит над основанием без помех;
- автоматически возвращается до касания ограничителя.

► **Рис.27:** 1. Верхний защитный кожух 2. Нижний защитный кожух 3. Основание 4. Ограничитель 5. Направление открытия 6. Направление закрытия

Если нижний защитный кожух не работает правильно, убедитесь в том, что мелкие опилки собираются внутри верхних и нижних защитных кожухов. Если нижний защитный кожух не работает правильно даже после удаления пыли, отнесите инструмент в сервисный центр Makita для обслуживания.

## Резка

**ВНИМАНИЕ:** Во время резки надевайте респиратор.

**ВНИМАНИЕ:** Осторожно перемещайте инструмент вперед по прямой линии.

Применение силы или кручение инструмента приведут к перегреву двигателя и опасному отскоку, результатом чего может стать серьезная травма.

**ПРИМЕЧАНИЕ:** При низкой температуре блока аккумуляторов инструмент может работать не в полную мощность. В это время инструмент рекомендуется использовать для резания в легких режимах, пока блок аккумуляторов не нагреется до комнатной температуры. Затем инструмент может работать в полную мощность.

► **Рис.28**

Крепко держите инструмент. Инструмент снабжен передней и задней ручками. Используйте обе ручки для удержания инструмента. Если вы держите пилу обеими руками, вы исключаете риск их травмирования пильным диском. Установите основание циркулярной пилы на распиливаемую деталь так, чтобы пильный диск не касался детали. Затем включите инструмент и дождитесь набора полной скорости диска циркулярной пилы. Теперь просто перемещайте инструмент вперед по распиливаемой детали, ровно держа пилу и аккуратно подавая ее вперед до полного распиливания детали.

Для чистого распиливания перемещайте инструмент вперед строго по прямой линии и с постоянной скоростью. Если при распиливании произошло отклонение от намеченной линии, не пытайтесь принудительно вернуть инструмент на линию распиливания. Это может вызвать изгиб диска циркулярной пилы и возникновение опасной отдачи, которая может привести к травме. Отпустите выключатель, дождитесь остановки диска циркулярной пилы и вытащите его из распила. Заново совместите инструмент с новой линией пропила и начните распиливание снова. Старайтесь избегать положений, при которых отбрасываемые пилой опилки и древесная пыль попадают на оператора. Во избежание получения травм используйте защитные очки.

**ПРИМЕЧАНИЕ:** При выполнении распилов под углом и т.д. иногда нижний кожух двигается с трудом. В данном случае, используйте вытягивающийся рычаг, чтобы поднять нижний кожух для начала резки, и когда диск коснется материала, отпустите вытягивающийся рычаг.

► **Рис.29:** 1. Вытягивающийся рычаг

## Подоснова (направляющая линейка)

**⚠ ВНИМАНИЕ:** Перед началом работы убедитесь в том, что подоснова (направляющая линейка) надежно установлена в правильном положении. Неправильное закрепление может привести к опасной отдаче.

Используя подоснову в качестве направляющей линейки, вы можете выполнять сверхточную прямую резку. Ослабьте зажимные винты и выдвиньте подоснову, затем вставьте ее в перевернутом виде.

► **Рис.30:** 1. Зажимной винт 2. Подоснова

Просто выдвиньте ограждение подосновы к боковой поверхности детали и закрепите ее в этом положении при помощи зажимных винтов. Она позволяет также осуществлять повторное отпиливание детали одинаковой ширины.

► **Рис.31:** 1. Зажимной винт 2. Подоснова

## Направляющий рельс

### Дополнительные принадлежности

**⚠ ВНИМАНИЕ:** Перед проведением каких-либо работ с инструментом обязательно убедитесь, что инструмент отключен, а блок аккумулятора снят.

**ПРИМЕЧАНИЕ:** При использовании направляющего рельса снимите подоснову.

Поместите инструмент на задний конец направляющего рельса. Поверните два регулировочных винта на основании инструмента таким образом, чтобы инструмент скользил плавно и без дребезга. Крепко держите инструмент за переднюю и заднюю ручки. Установите блок аккумулятора. Включите инструмент и срежьте предохранитель скалывания по всей длине за один проход. Теперь край предохранителя скалывания совпадает с режущей кромкой.

► **Рис.32:** 1. Регулировочные винты

Выполняя резку под скосом с помощью направляющего рельса, используйте рычаг скольжения для предотвращения падения инструмента.

Переместите рычаг скольжения на основании инструмента в направлении стрелки таким образом, чтобы он вошел в канавку направляющего рельса.

► **Рис.33:** 1. Рычаг скольжения

## ФУНКЦИЯ БЕСПРОВОДНОЙ АКТИВАЦИИ

### Что позволяет делать функция беспроводной активации

Функция беспроводной активации обеспечивает беспрепятственную и удобную работу. Подключив к инструменту поддерживаемый пылесос, можно его автоматически запускать, используя переключатель инструмента.

► **Рис.34**

Чтобы использовать функцию беспроводной активации, подготовьте следующие компоненты:

- Беспроводной блок (Дополнительные принадлежности)
- Пылесос, который поддерживает функцию беспроводной активации

Обзор настройки функции беспроводной активации выглядит следующим образом. Подробные процедуры см. в каждом разделе.

1. Установка беспроводного блока
2. Регистрация инструмента для пылесоса
3. Запуск функции беспроводной активации

## Установка беспроводного блока

### Дополнительные принадлежности

**⚠ ВНИМАНИЕ:** При установке беспроводного блока поместите инструмент на ровную и устойчивую поверхность.

**ПРИМЕЧАНИЕ:** Перед началом установки беспроводного блока очистите пыль и грязь на инструменте. Если пыль или грязь попадет в гнездо беспроводного блока, это может привести к неисправности.

**ПРИМЕЧАНИЕ:** Во избежание сбоев, вызванных статическим электричеством, прежде чем поднимать беспроводной блок, прикоснитесь к материалу, позволяющему снять статический разряд, например, к металлической части инструмента.

**ПРИМЕЧАНИЕ:** При установке беспроводного блока всегда следите за тем, чтобы беспроводной блок был вставлен в правильное направление, и крышка была полностью закрыта.

1. Откройте крышку на инструменте, как показано на рисунке.

► **Рис.35:** 1. Крышка

2. Вставьте беспроводной блок в гнездо и закройте крышку.

При вставке беспроводного блока выравнивайте выступы с углубленными участками в гнезде.

► **Рис.36:** 1. Беспроводной блок 2. Защита 3. Крышка 4. Углубленный участок

При извлечении беспроводного блока медленно откройте крышку. Если потянуть крышку, то крючки на обратной стороне крышки поднимут беспроводной блок.

► **Рис.37:** 1. Беспроводной блок 2. Крючок 3. Крышка

После извлечения беспроводного блока поместите его в поставляемый футляр или в контейнер без статического электричества.

**ПРИМЕЧАНИЕ:** Для снятия беспроводного блока обязательно используйте крючки на обратной стороне крышки. Если крючки не захватывают беспроводной блок, полностью закройте крышку и снова медленно откройте ее.

## Регистрация инструмента для пылесоса

**ПРИМЕЧАНИЕ:** Для регистрации инструмента необходим пылесос Makita, поддерживающий функцию беспроводной активации.

**ПРИМЕЧАНИЕ:** Перед началом регистрации инструмента завершите установку беспроводного блока в инструмент.

**ПРИМЕЧАНИЕ:** Во время регистрации инструмента не тяните за триггерный переключатель и не включайте выключатель питания на пылесосе.

**ПРИМЕЧАНИЕ:** См. также руководство по эксплуатации пылесоса.

Если необходимо активировать пылесос одновременно с переключением инструмента, сначала завершите регистрацию инструмента.

1. Установите аккумулятор в пылесос и инструмент.
2. Установите выключатель режима ожидания на пылесосе в положение «АУТО» (автоматический).  
► **Рис.38:** 1. Выключатель режима ожидания
3. Нажмите и удерживайте кнопку беспроводной активации на пылесосе в течение 3 секунд, пока лампа беспроводной активации не замигает зеленым цветом. Затем таким же образом нажмите кнопку беспроводной активации на инструменте.  
► **Рис.39:** 1. Кнопка беспроводной активации 2. Лампа беспроводной активации

Если пылесос и инструмент надежно соединены друг с другом, то лампы беспроводной активации будут гореть зеленым светом в течение 2 секунд, затем начнут мигать синим цветом.

**ПРИМЕЧАНИЕ:** Через 20 секунд лампы беспроводной активации связи закончат мигать зеленым цветом. Если на пылесосе мигает лампа беспроводной активации, нажмите кнопку беспроводной активации на инструменте. Если лампа беспроводной активации не мигает зеленым цветом, нажмите кнопку беспроводной активации на короткое время, а затем снова удерживайте ее.

**ПРИМЕЧАНИЕ:** При выполнении двух или более регистраций инструмента для одного пылесоса завершите регистрацию инструмента одну за другой.

## Запуск функции беспроводной активации

**ПРИМЕЧАНИЕ:** Перед беспроводной активацией завершите регистрацию инструмента для пылесоса.

**ПРИМЕЧАНИЕ:** См. также руководство по эксплуатации пылесоса.

После регистрации инструмента для пылесоса можно использовать переключатель инструмента для автоматического запуска пылесоса.

1. Установите беспроводной блок в инструмент.
2. Подсоедините шланг пылесоса к инструменту.  
► **Рис.40**

3. Установите выключатель режима ожидания на пылесосе в положение «АУТО» (автоматический).

► **Рис.41:** 1. Выключатель режима ожидания

4. На короткое время нажмите кнопку беспроводной активации на инструменте. Лампа беспроводной активации мигает синим цветом.

► **Рис.42:** 1. Кнопка беспроводной активации 2. Лампа беспроводной активации

5. Включите инструмент. Проверьте, работает ли пылесос во время работы инструмента.

Чтобы остановить беспроводную активацию пылесоса, нажмите кнопку беспроводной активации на инструменте.

**ПРИМЕЧАНИЕ:** Если в течение 2 часов не будет выполняться никаких действий, то лампа беспроводной активации на инструменте перестанет мигать синим цветом. В этом случае установите выключатель режима ожидания на пылесосе в положение «АУТО» и снова нажмите кнопку беспроводной активации на инструменте.

**ПРИМЕЧАНИЕ:** Пылесос запускается/останавливается с задержкой. Когда пылесос обнаруживает переключение выключателя инструмента, возникает временная задержка.










**ПРИМЕЧАНИЕ:** Дальность передачи беспроводного блока может варьироваться в зависимости от местоположения и окружающих предметов.

**ПРИМЕЧАНИЕ:** Если за одним пылесосом закреплено два или несколько инструментов, то пылесос может начать работать, даже если вы не включаете свой инструмент, поскольку другой пользователь использует функцию беспроводной активации.

## Описание статуса лампы беспроводной активации

### ► Рис.43: 1. Лампа беспроводной активации

Лампа беспроводной активации отображает состояние функции беспроводной активации. Значения состояния лампы см. в таблице ниже.

Состояние	Лампа беспроводной активации				Описание
	Цвет	 Вкл	 Мигает	Продолжительность	
Ожидание	Синий			2 часа	Доступна беспроводная активация пылесоса. Если в течение 2 часов не будет выполняться никаких операций, лампа автоматически выключится.
				Пока инструмент работает.	Доступна беспроводная активация пылесоса, инструмент работает.
Регистрация инструмента	Зеленая			20 секунд	Готовность к регистрации инструмента. Ожидание регистрации пылесосом.
				2 секунды	Регистрация инструмента завершена. Лампа беспроводной активации начнет мигать синим цветом.
Отмена регистрации инструмента	Красная			20 секунд	Готовность к отмене регистрации инструмента. Ожидание отмены пылесосом.
				2 секунды	Отмена регистрации инструмента завершена. Лампа беспроводной активации начнет мигать синим цветом.
Прочие	Красная			3 секунд	На беспроводной блок подается питание, и запускается функция беспроводной активации.
	Выкл	-		-	Беспроводная активация пылесоса прекращается.

## Отмена регистрации инструмента для пылесоса

При отмене регистрации инструмента для пылесоса выполните следующую процедуру.

1. Установите аккумулятор в пылесос и инструмент.
2. Установите выключатель режима ожидания на пылесосе в положение «АУТО» (автоматический).

### ► Рис.44: 1. Выключатель режима ожидания

3. Нажмите и удерживайте кнопку беспроводной активации на пылесосе в течение 6 секунд. Лампа беспроводной активации мигает зеленым, а затем переключается на красный цвет. После этого нажмите кнопку беспроводной активации на инструменте таким же образом.

- Рис.45: 1. Кнопка беспроводной активации
2. Лампа беспроводной активации

Если отмена выполнена успешно, лампы беспроводной активации загорятся красным цветом на 2 секунды и начнут мигать синим цветом.

**ПРИМЕЧАНИЕ:** По истечении 20 секунд лампы беспроводной активации прекращают мигать красным цветом. Если на пылесосе мигает лампа беспроводной активации, нажмите кнопку беспроводной активации на инструменте. Если лампа беспроводной активации не мигает красным цветом, нажмите кнопку беспроводной активации на короткое время, а затем снова удерживайте ее.

## Поиск и устранение неисправностей для функции беспроводной активации

Прежде чем обращаться по поводу ремонта, проведите осмотр самостоятельно. Если обнаружена неисправность, не указанная в руководстве, не пытайтесь разобрать инструмент. Обратитесь в один из авторизованных сервисных центров Makita, в которых для ремонта всегда используются оригинальные детали Makita.

Состояние неисправности	Возможная причина (неисправности)	Способ устранения
Лампа беспроводной активации не горит/мигает.	Беспроводной блок не установлен в инструмент. Беспроводной блок неправильно установлен в инструмент.	Правильно установите беспроводной блок.
	Грязь на клемме беспроводного блока и/или гнезда.	Аккуратно вытрите пыль и грязь на клемме беспроводного блока и очистите гнездо.
	Не нажата кнопка беспроводной активации на инструменте.	На короткое время нажмите кнопку беспроводной активации на инструменте.
	Выключатель режима ожидания на пылесосе не установлен в положение «АUTO» (автоматический).	Установите выключатель режима ожидания на пылесосе в положение «АUTO» (автоматический).
	Отсутствует электропитание	Подайте питание на инструмент и пылесос.
Не удается успешно завершить регистрацию/отмену регистрации инструмента.	Беспроводной блок не установлен в инструмент. Беспроводной блок неправильно установлен в инструмент.	Правильно установите беспроводной блок.
	Грязь на клемме беспроводного блока и/или гнезда.	Аккуратно вытрите пыль и грязь на клемме беспроводного блока и очистите гнездо.
	Выключатель режима ожидания на пылесосе не установлен в положение «АUTO» (автоматический).	Установите выключатель режима ожидания на пылесосе в положение «АUTO» (автоматический).
	Отсутствует электропитание	Подайте питание на инструмент и пылесос.
	Неверная операция	На короткое время нажмите кнопку беспроводной активации и снова выполните процедуру регистрации/отмены.
	Большое расстояние между инструментом и пылесосом (вне диапазона передачи).	Расположите инструмент и пылесос ближе друг к другу. Максимальное расстояние передачи составляет приблизительно 10 м, однако оно может изменяться в зависимости от обстоятельств.
	Перед завершением регистрации инструмента/отменой; - выключатель инструмента переведен в положение «On» (Вкл.); или - кнопка питания на пылесосе переведена в положение «On» (Вкл.).	На короткое время нажмите кнопку беспроводной активации и снова выполните процедуру регистрации/отмены.
	Процедура регистрации инструмента для инструмента или пылесоса не завершена.	Одновременно выполните процедуры регистрации инструмента для инструмента и для пылесоса.
Радиопомехи от других приборов, которые генерируют радиоволны высокой интенсивности.	Избегайте эксплуатации инструмента и пылесоса рядом с такими приборами, как устройства Wi-Fi и микроволновые печи.	



Состояние неисправности	Возможная причина (неисправности)	Способ устранения
Пылесос не работает при использовании переключателя инструмента.	Беспроводной блок не установлен в инструмент. Беспроводной блок неправильно установлен в инструмент.	Правильно установите беспроводной блок.
	Грязь на клемме беспроводного блока и/или гнезда.	Аккуратно вытрите пыль и грязь на клемме беспроводного блока и очистите гнездо.
	Не нажата кнопка беспроводной активации на инструменте.	На короткое время нажмите кнопку беспроводной активации и убедитесь в том, что лампа беспроводной активации мигает синим цветом.
	Выключатель режима ожидания на пылесосе не установлен в положение «АУТО» (автоматический).	Установите выключатель режима ожидания на пылесосе в положение «АУТО» (автоматический).
	В пылесосе зарегистрировано более 10 инструментов.	Выполните повторную регистрацию инструмента. Если в пылесосе зарегистрировано более 10 инструментов, инструмент, зарегистрированный самым первым, будет автоматически отменен.
	Пылесос удалил все записи регистрации инструментов.	Выполните повторную регистрацию инструмента.
	Отсутствует электропитание	Подайте питание на инструмент и пылесос.
	Большое расстояние между инструментом и пылесосом (вне диапазона передачи).	Расположите инструмент и пылесос ближе друг к другу. Максимальное расстояние передачи составляет приблизительно 10 м, однако оно может изменяться в зависимости от обстоятельств.
Пылесос работает в то время, когда инструмент не работает.	Радиопомехи от других приборов, которые генерируют радиоволны высокой интенсивности.	Избегайте эксплуатации инструмента и пылесоса рядом с такими приборами, как устройства Wi-Fi и микроволновые печи.
	Другие пользователи используют беспроводную активацию пылесоса с помощью своих инструментов.	Отключите кнопку беспроводной активации других инструментов или отмените регистрацию инструмента для других инструментов.

## ОБСЛУЖИВАНИЕ

**⚠ ВНИМАНИЕ:** Перед проведением проверки или работ по техобслуживанию всегда проверяйте, что инструмент выключен, а блок аккумулятора снят.

**⚠ ВНИМАНИЕ:** Очистите верхний и нижний кожухи, чтобы удалить скопившиеся опилки, так как они могут ухудшить работу нижней защитной системы. Загрязнение защитной системы может помешать ее работе и привести к тяжелым травмам. Самый эффективный способ очистки – это очистка с использованием сжатого воздуха. При удалении пыли из кожухов с помощью сжатого воздуха обязательно используйте надлежащие средства защиты органов зрения и дыхания.

**⚠ ВНИМАНИЕ:** После каждого использования удаляйте опилки с инструмента. Мелкие опилки могут попасть внутрь инструмента и привести к неполадке или возгоранию.

**ПРИМЕЧАНИЕ:** Запрещается использовать бензин, растворители, спирт и другие подобные жидкости. Это может привести к обесцвечиванию, деформации и трещинам.

Для обеспечения БЕЗОПАСНОСТИ и НАДЕЖНОСТИ оборудования ремонт, любое другое техобслуживание или регулировку необходимо производить в уполномоченных сервис-центрах Makita или сервис-центрах предприятия с использованием только сменных частей производства Makita.

## Регулировка точности резки под углом 0° или 45°

**ПРИМЕЧАНИЕ:** Не пользуйтесь рычагами для угла скоса -1° при регулировке точности распила под углом 0°.

**ПРИМЕЧАНИЕ:** Не пользуйтесь упором-ограничителем для угла скоса 22,5° или 60° при регулировке точности резки под углом 45°.

Данная регулировка уже выполнена на предприятии-изготовителе. Если регулировка нарушается, выполните следующую процедуру.

1. Ослабьте зажимные винты спереди и сзади на инструменте, чтобы изменить угол скоса. Установите упор-ограничитель в положение, соответствующее углу 45°, если требуется выполнить разрез под углом 45°.

► **Рис.46:** 1. Зажимной винт 2. Упор-ограничитель

2. Установите основание под углом 90° или 45° к диску циркулярной пилы при помощи треугольной линейки, для чего поверните регулировочный винт, используя шестигранный ключ. Для установки угла 0° можно использовать квадратную линейку.

► **Рис.47:** 1. Треугольная линейка

► **Рис.48:** 1. Регулировка винта для установки угла 0° 2. Регулировка винта для установки угла 45°

3. Затяните зажимные винты и выполните пробный надрез для проверки точности заданного угла.

## Регулировка направляющей глубины

Если основание не перемещается вверх или вниз плавно, возможно, направляющая наклонена. Направляющую глубины можно отрегулировать, как указано далее.

1. Установите основание под прямым углом и установите максимальную глубину резки.
2. Ослабьте регулировочные винты направляющей глубины.  
Положение направляющей глубины отрегулируется автоматически.
3. Затяните регулировочные винты направляющей глубины.
4. Отрегулируйте параллельность (см. раздел, касающийся параллельности).

► **Рис.49:** 1. Регулировка винтов направляющей глубины

- Зажим
- Лист
- Резиновый лист
- Позиционирующий лист
- Шестигранный ключ
- Передний патрубок 24
- Беспроводной блок
- Оригинальный аккумулятор и зарядное устройство Makita

**ПРИМЕЧАНИЕ:** Некоторые элементы списка могут входить в комплект инструмента в качестве стандартных приспособлений. Они могут отличаться в зависимости от страны.

## Регулировка параллельности

**⚠ ВНИМАНИЕ:** Точно соблюдайте параллельность. В противном случае диск циркулярной пилы может прорезать направляющий рельс, а поврежденный направляющий рельс может причинить травму.

Данная регулировка уже выполнена на предприятии-изготовителе. Если регулировка нарушается, выполните следующую процедуру.

1. Установите на инструменте настройки максимальной глубины резки.
2. Убедитесь в том, что все рычаги и винты затянуты.
3. Ослабьте винты, как показано на рисунке.
4. Открывая нижнее ограждение, переместите заднюю часть основания таким образом, чтобы расстояния А и В были одинаковы.

► **Рис.50:** 1. Винт 2. Основание

5. Затяните винты и выполните пробный надрез для проверки параллельности.

## ДОПОЛНИТЕЛЬНЫЕ ПРИНАДЛЕЖНОСТИ

**⚠ ВНИМАНИЕ:** Данные принадлежности или приспособления рекомендуются для использования с инструментом Makita, указанным в настоящем руководстве. Использование других принадлежностей или приспособлений может привести к получению травмы. Используйте принадлежность или приспособление только по указанному назначению.

Если вам необходимо содействие в получении дополнительной информации по этим принадлежностям, свяжитесь с вашим сервис-центром Makita.

- Диск циркулярной пилы
- Подоснова
- Направляющий рельс
- Направляющая для снятия фаски





**Makita Europe N.V.** Jan-Baptist Vinkstraat 2,  
3070 Kortenberg, Belgium

**Makita Corporation** 3-11-8, Sumiyoshi-cho,  
Anjo, Aichi 446-8502 Japan

[www.makita.com](http://www.makita.com)

885938-983  
EN, SV, NO, FI, DA,  
LV, LT, ET, RU  
20211005