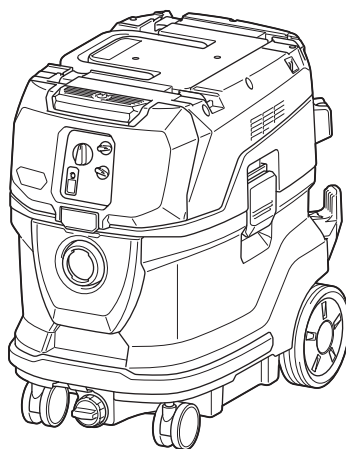




EN	Cordless Vacuum Cleaner	INSTRUCTION MANUAL	10
SV	Batteridrivnen dammsugare	BRUKSANVISNING	25
NO	Trådløs støvsuger	BRUKSANVISNING	40
FI	Akkukäyttöinen pölynimuri	KÄYTTÖOHJE	55
DA	Akku støvsuger	BRUGSANVISNING	70
LV	Bezvadu putekļsūcējs	LIETOŠANAS INSTRUKCIJA	85
LT	Akumuliatorinis vakuuminis valymo įrenginys	NAUDOJIMO INSTRUKCIJA	100
ET	Juhtmeta käsitolmuimeija	KASUTUSJUHEND	115
RU	Аккумуляторный Пылесос	РУКОВОДСТВО ПО ЭКСПЛУАТАЦИИ	130

VC006GM



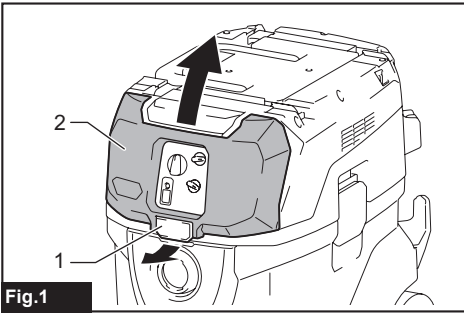


Fig.1

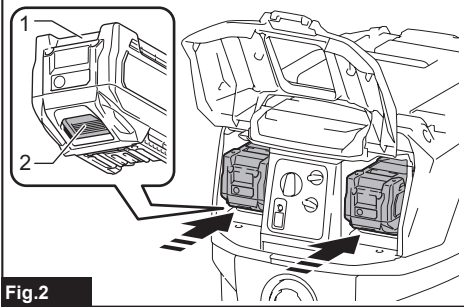


Fig.2

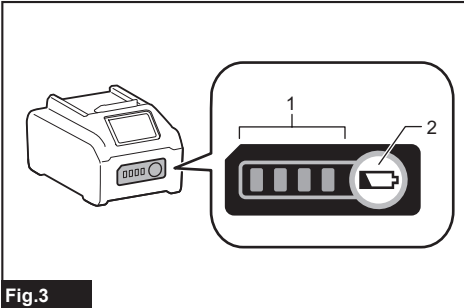


Fig.3

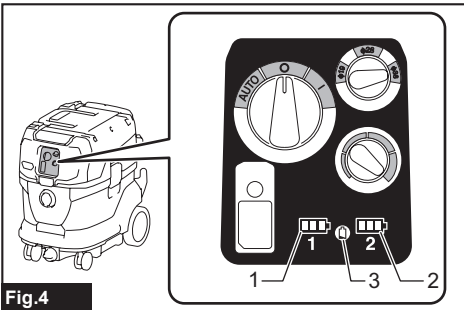


Fig.4

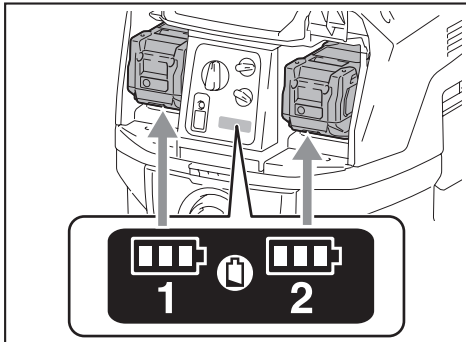


Fig.5

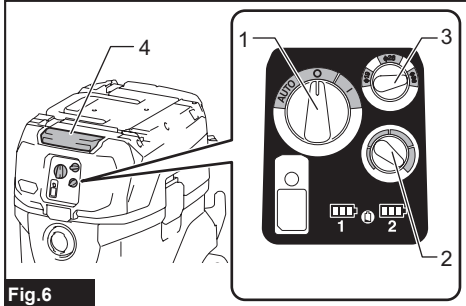


Fig.6

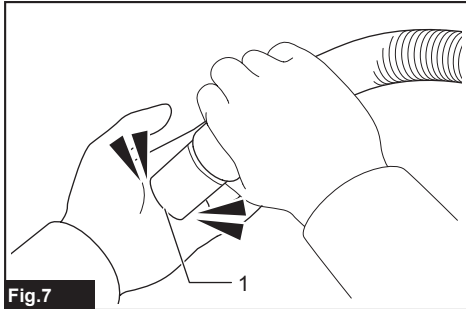


Fig.7

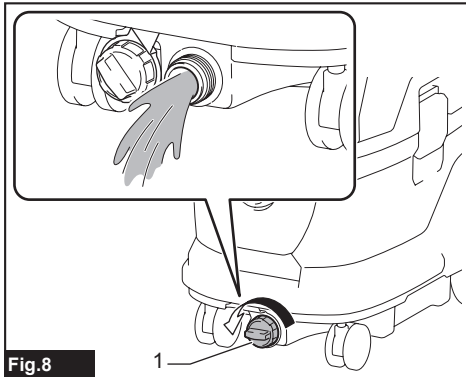
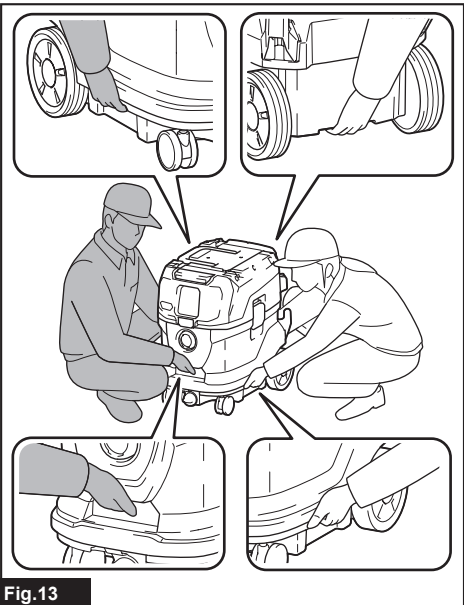
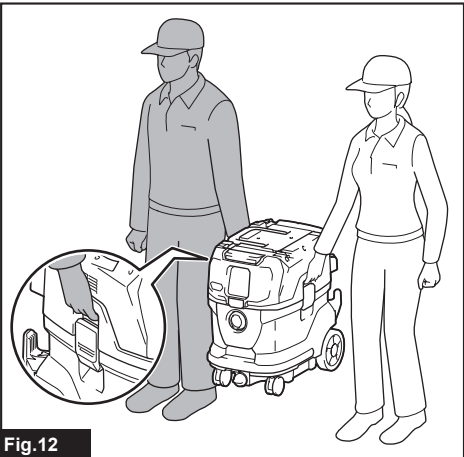
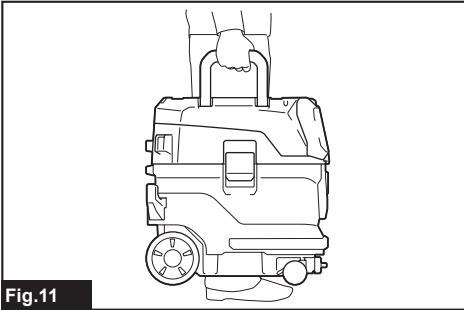
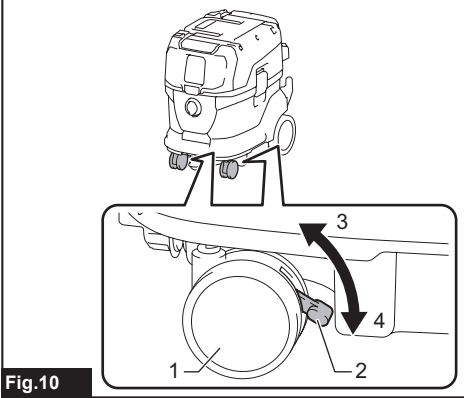
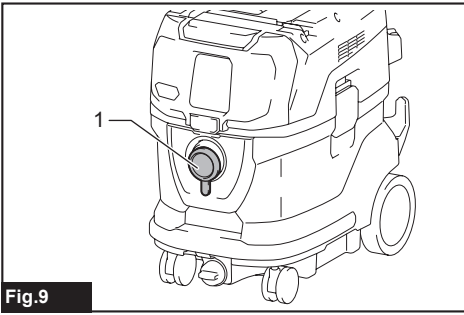


Fig.8



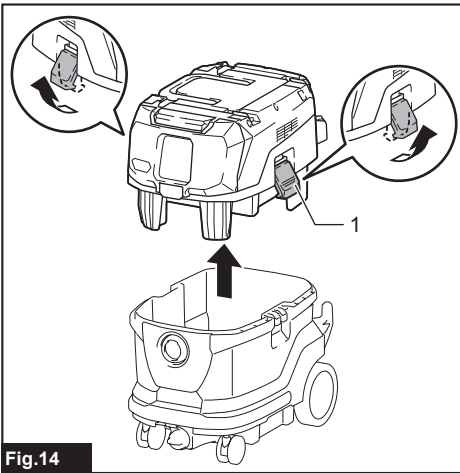


Fig. 14

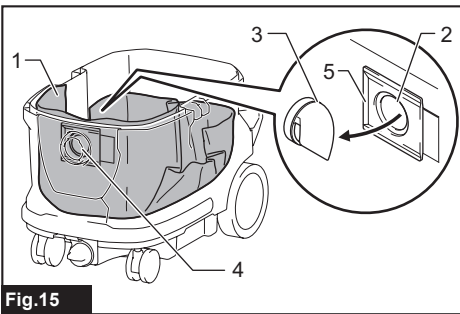


Fig. 15

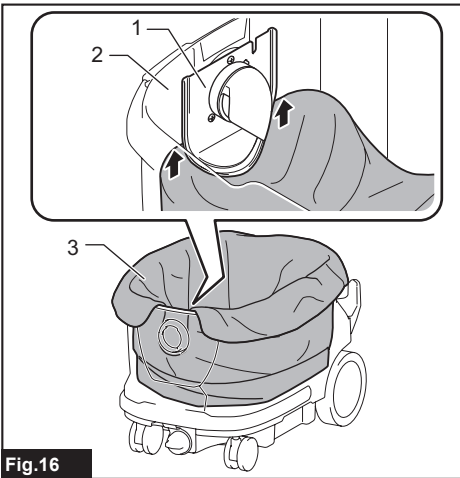


Fig. 16

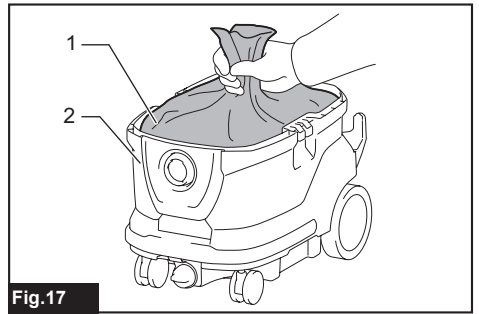


Fig. 17

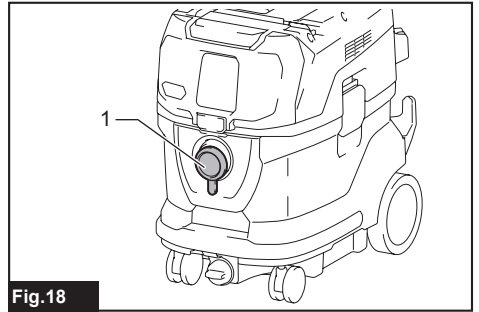


Fig. 18

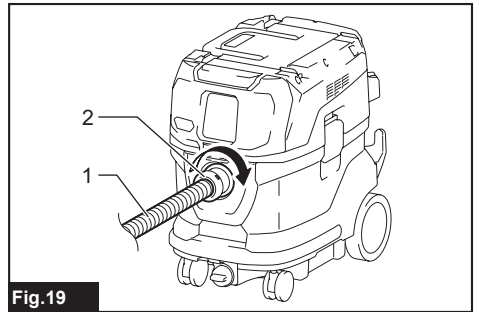


Fig. 19

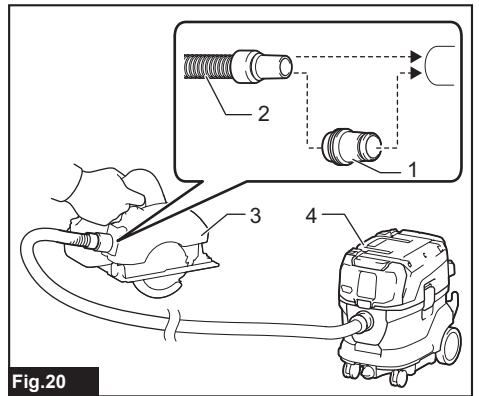


Fig. 20

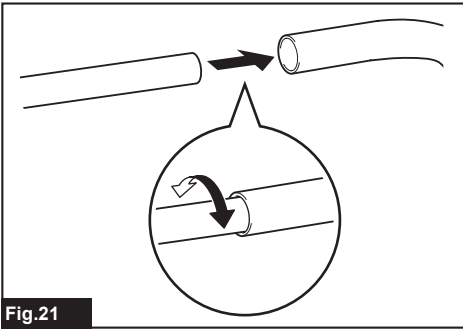


Fig. 21

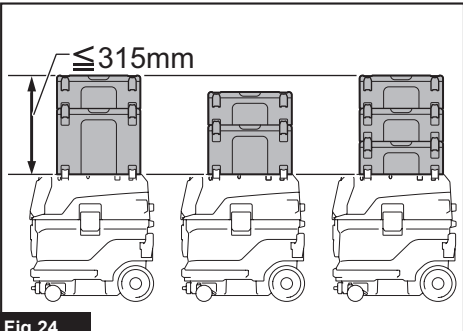


Fig. 24

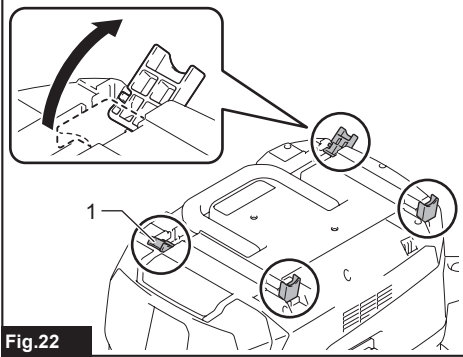


Fig. 22

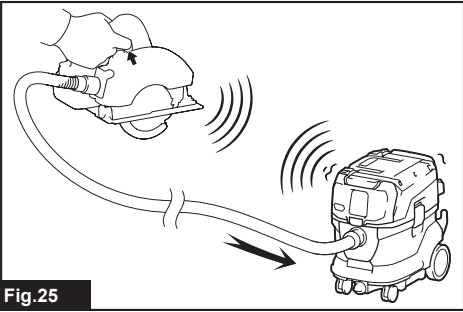


Fig. 25

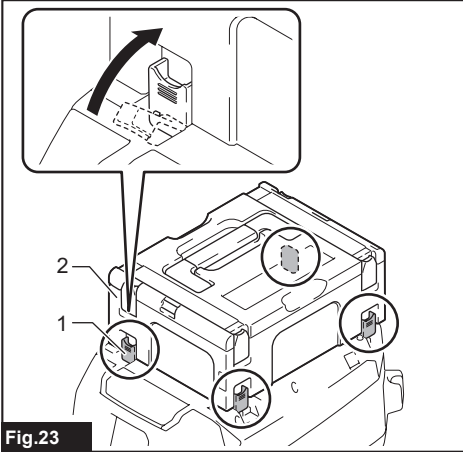


Fig. 23

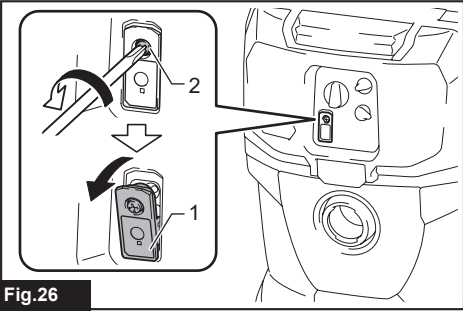


Fig. 26

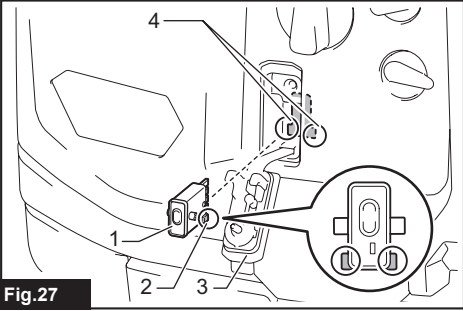
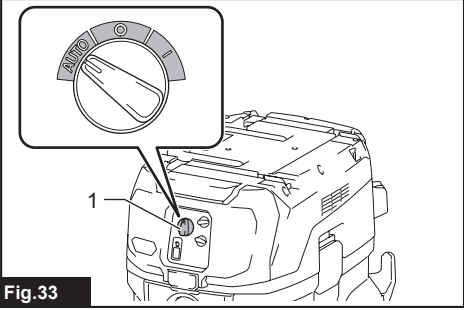
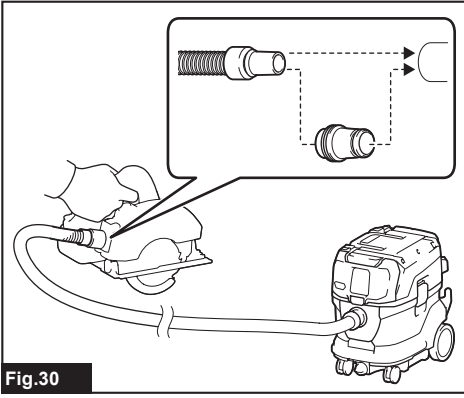
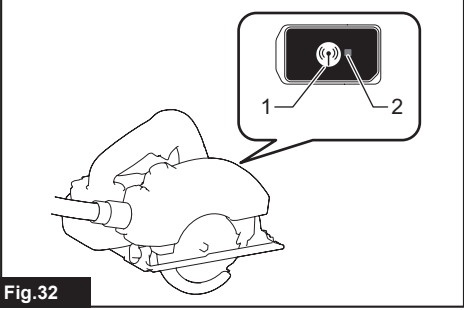
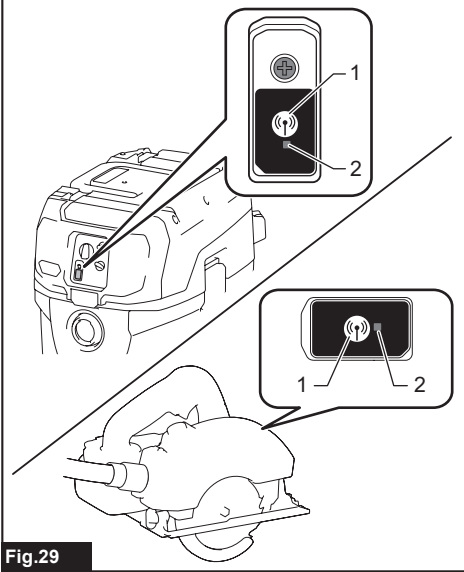
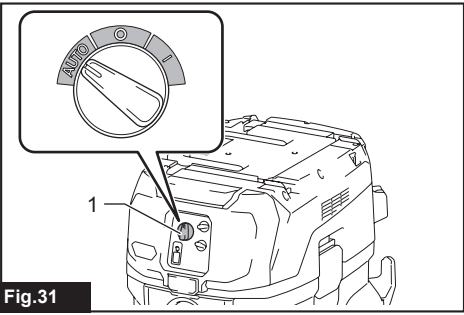
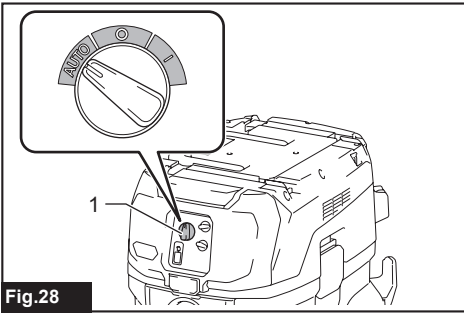


Fig. 27



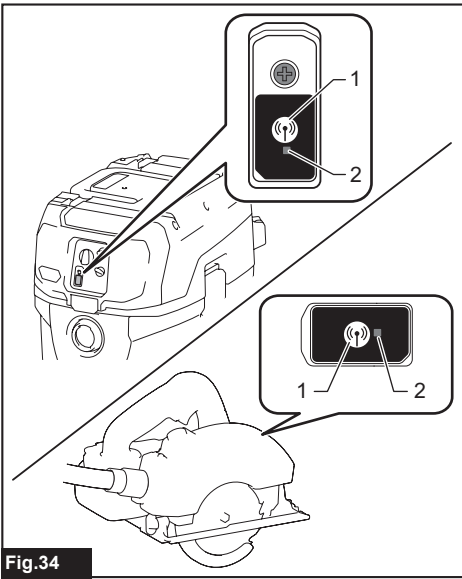


Fig.34

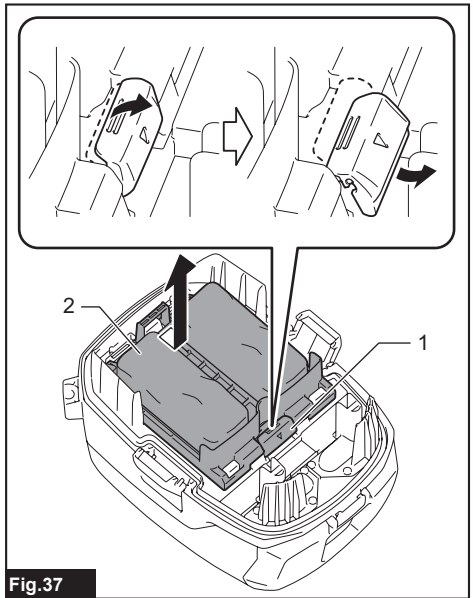


Fig.37

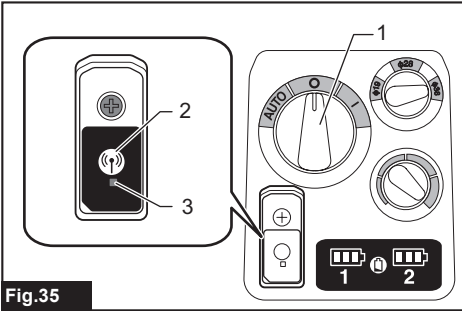


Fig.35

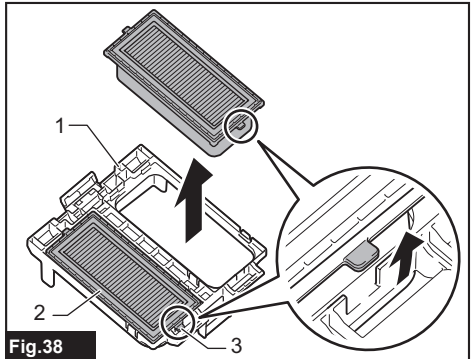


Fig.38

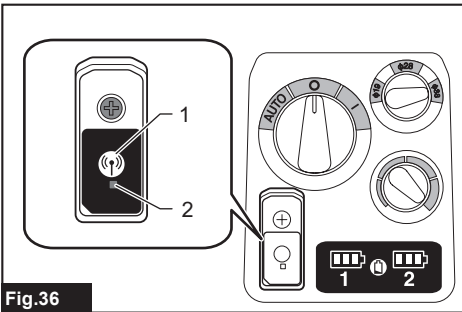


Fig.36

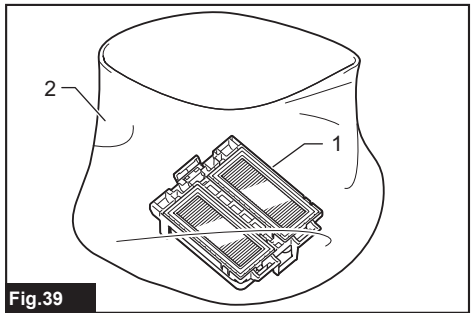


Fig.39

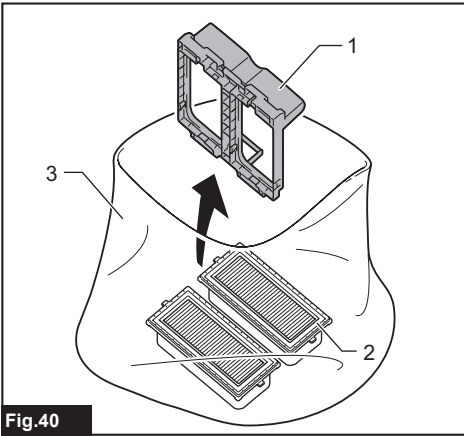


Fig.40

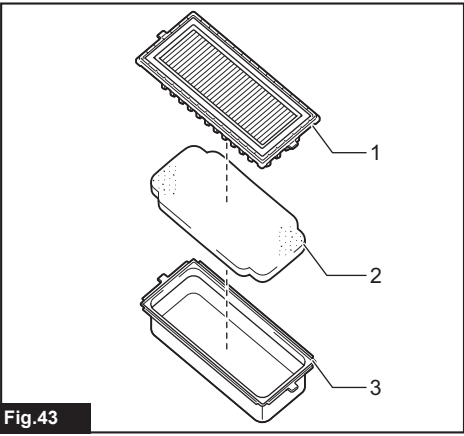


Fig.43

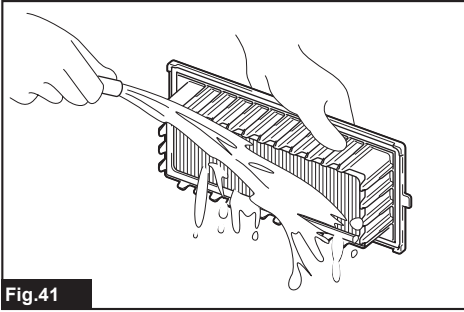


Fig.41

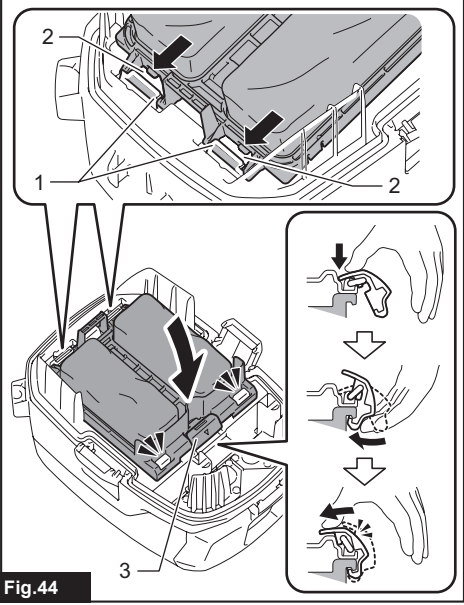


Fig.44

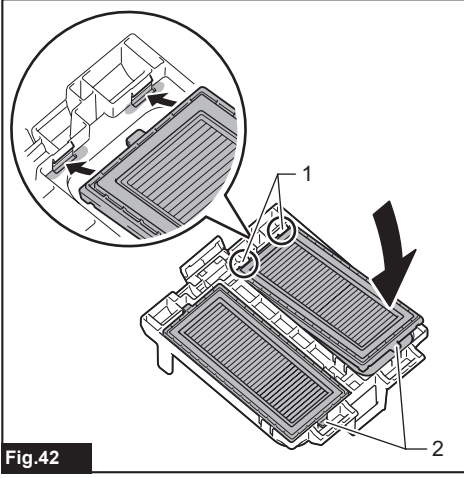


Fig.42

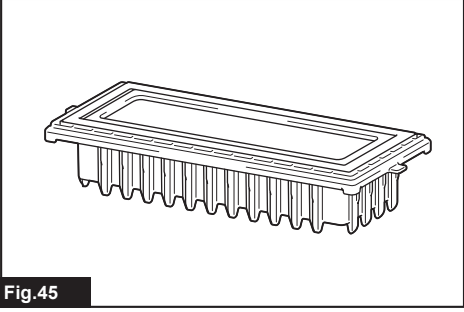


Fig.45

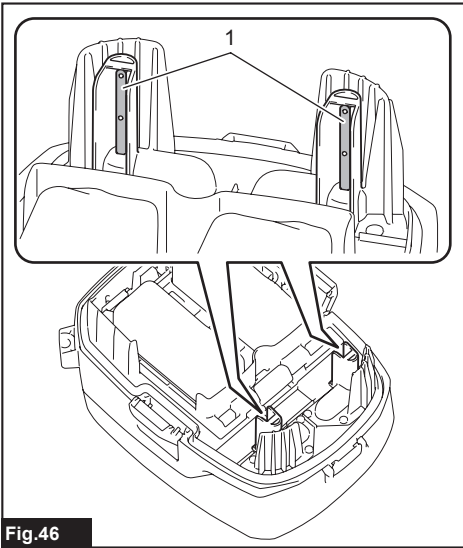


Fig.46

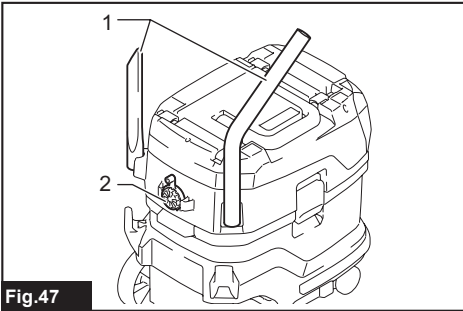


Fig.47

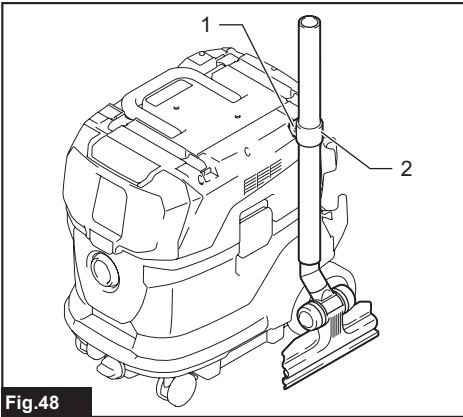


Fig.48

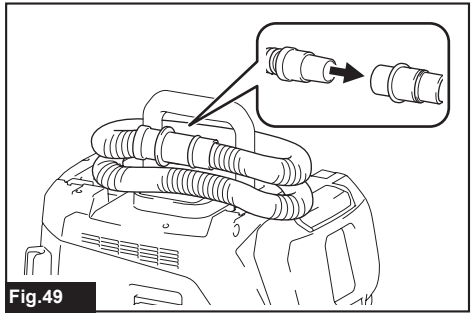


Fig.49

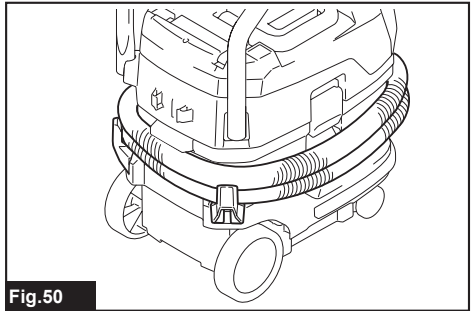


Fig.50

WARNING

- This machine is not intended for use by persons including children with reduced physical, sensory or mental capabilities, or lack of experience and knowledge.
- Children should be supervised to ensure that they do not play with the cleaner.
- See the chapter "SPECIFICATIONS" for the type reference of the battery.
- See the section "Installing or removing battery cartridge" for how to remove or install the battery.
- When disposing the battery cartridge, remove it from the tool and dispose of it in a safe place. Follow your local regulations relating to disposal of battery.
- If the tool is not used for a long period of time, the battery must be removed from the tool.
- Do not short the battery cartridge.
- See the chapter "MAINTENANCE" for the appropriate details of precautions during user maintenance.

SPECIFICATIONS

Model:		VC006GM
Maximum air volume at the end of hose	With BL4050F, ø28 mm x3.5 m hose	2.0 m ³ /min
	With BL4050F, ø38 mm x 2.5 m hose	3.7 m ³ /min
Maximum air volume at turbine (with BL4050F)		4.9 m ³ /min
Vacuum (with BL4050F)		18 kPa
Recoverable capacity	Dust	40 L
	Water	30 L
Dimensions (L x W x H)		586 mm x 385 mm x 598 mm
Rated voltage		D.C. 72 V - 80 V max
Net weight		18.4 - 20.8 kg
Protection degree		IPX4

- Due to our continuing program of research and development, the specifications herein are subject to change without notice.
- Specifications may differ from country to country.
- The weight does not include accessories but battery cartridge(s). The lightest and heaviest combinations weight of the appliance and battery cartridge(s) are shown in the table.

Applicable battery cartridge and charger

Battery cartridge	BL4020 / BL4025 / BL4040* / BL4050F* / BL4080F* *: Recommended battery
Charger	DC40RA / DC40RB / DC40RC

- Some of the battery cartridges and chargers listed above may not be available depending on your region of residence.

⚠WARNING: Only use the battery cartridges and chargers listed above. Use of any other battery cartridges and chargers may cause injury and/or fire.

Symbols

The followings show the symbols which may be used for the equipment. Be sure that you understand their meaning before use.



Read instruction manual.



Take particular care and attention.



Warning! The cleaner may contain hazardous dust.



Never stand on the cleaner.



Never put anything heavier than 20 kg (44 lbs) on the cleaner.



Dust class M (medium): for separating dust with a limit value of occupational exposure not less than 0.1 mg/m^3 . The cleaners are capable of picking up dust class L and M. Follow your country's regulations relating to dusts and to occupational health and safety.



Only for EU countries
Due to the presence of hazardous components in the equipment, waste electrical and electronic equipment, accumulators and batteries may have a negative impact on the environment and human health. Do not dispose of electrical and electronic appliances or batteries with household waste! In accordance with the European Directive on waste electrical and electronic equipment and on accumulators and batteries and waste accumulators and batteries, as well as their adaptation to national law, waste electrical equipment, batteries and accumulators should be stored separately and delivered to a separate collection point for municipal waste, operating in accordance with the regulations on environmental protection. This is indicated by the symbol of the crossed-out wheeled bin placed on the equipment.

Intended use

The appliance is intended for collecting both wet and dry dust. The appliance is suitable for commercial use, for example in hotels, schools, hospitals, factories, shops, offices and rental businesses.

Noise

The typical A-weighted noise level determined according to EN60335-2-69:

Sound pressure level (L_{pA}): 70 dB(A) or less
Uncertainty (K): 2.5 dB (A)

The noise level under working may exceed 80 dB (A).

NOTE: The declared noise emission value(s) has been measured in accordance with a standard test method and may be used for comparing one tool with another.

NOTE: The declared noise emission value(s) may also be used in a preliminary assessment of exposure.

⚠ WARNING: Wear ear protection.

⚠ WARNING: The noise emission during actual use of the power tool can differ from the declared value(s) depending on the ways in which the tool is used especially what kind of workpiece is processed.

⚠ WARNING: Be sure to identify safety measures to protect the operator that are based on an estimation of exposure in the actual conditions of use (taking account of all parts of the operating cycle such as the times when the tool is switched off and when it is running idle in addition to the trigger time).

Vibration

The vibration total value (tri-axial vector sum) determined according to EN60335-2-69:
Vibration emission ($a_{h,M}$): 2.5 m/s^2 or less
Uncertainty (K): 1.5 m/s^2

NOTE: The declared vibration total value(s) has been measured in accordance with a standard test method and may be used for comparing one tool with another.

NOTE: The declared vibration total value(s) may also be used in a preliminary assessment of exposure.

⚠ WARNING: The vibration emission during actual use of the power tool can differ from the declared value(s) depending on the ways in which the tool is used especially what kind of workpiece is processed.

⚠ WARNING: Be sure to identify safety measures to protect the operator that are based on an estimation of exposure in the actual conditions of use (taking account of all parts of the operating cycle such as the times when the tool is switched off and when it is running idle in addition to the trigger time).

EC Declaration of Conformity

For European countries only

The EC declaration of conformity is included as Annex A to this instruction manual.

SAFETY WARNINGS

Cordless vacuum cleaner safety warnings

⚠ WARNING: IMPORTANT! READ CAREFULLY all safety warnings and all instructions BEFORE USE. Failure to follow the warnings and instructions may result in electric shock, fire and/or serious injury.

1. Before use, make sure that this cleaner must be used by people who have been adequately instructed on the use of this cleaner.

2. Before use, operators shall be provided with information, instruction and training for the use of the machine and the substances for which it is to be used, including the safe method of removal and disposal of the material collected.
3. If foam/liquid comes out, switch off immediately.
4. Clean the water level limiting device regularly and examine it for signs of damage.
5. Always make sure that filters are correctly installed before use. Do not use the cleaner without filters in place. Replace a damaged filter immediately. It is recommended to have some spares as filters are consumable items.
6. **AVOID UNINTENTIONAL STARTING.** Be sure switch is OFF when installing battery(ies).
7. Do not attempt to pick up flammable materials, fireworks, lighted cigarettes, hot ashes, hot metal chips, and sharp materials such as razors, needles, broken glass or the like.
8. **NEVER USE THE CLEANER IN THE VICINITY OF GASOLINE, GAS, PAINT, ADHESIVES OR OTHER HIGHLY EXPLOSIVE SUBSTANCES.** The switch emits sparks when turned ON and OFF. And so does the motor commutator during operation. A dangerous explosion may result.
9. Never vacuum up toxic, carcinogenic, combustible or other hazardous materials such as asbestos, arsenic, barium, beryllium, lead, pesticides, or other health endangering materials.
10. Always place the cleaner on a horizontal flat surface to prevent it from falling or moving unintentionally.
11. Never use the cleaner outdoors in the rain.
12. For Finland, this machine is not to be used outdoors at low temperature.
13. Do not use close to heat sources (stoves, etc.).
14. If the exhaust air is returned to the room, it is necessary to provide for an adequate air change rate in the room. Reference to National regulations is necessary.
15. Do not block suction inlet/outlet/cooling vents. These vents permit cooling of the motor. Blockage should be carefully avoided otherwise the motor will burn out due to a lack of ventilation.
16. Keep proper footing and balance at all times.
17. Do not fold, tug or step on the hose.
18. Stop the cleaner immediately if you notice poor performance or anything abnormal during operation.
19. **REMOVE THE BATTERY(IES).** When not in use, before servicing, and when changing accessories.
20. Clean and service the cleaner immediately after each use to keep it in tiptop operating condition.
21. **MAINTAIN THE CLEANER WITH CARE.** Keep the cleaner clean for better and safer performance. Follow instructions for changing accessories. Keep handles dry, clean, and free from oil and grease.
22. **CHECK DAMAGED PARTS.** Before further use of the cleaner, a guard or other part that is damaged should be carefully checked to determine that it will operate properly and perform its intended function. Check for alignment of moving parts, binding of moving parts, breakage of parts, mounting, and any other conditions that may affect its operation. A guard or other part that is damaged should be properly repaired or replaced by an authorized service center unless otherwise indicated elsewhere in this instruction manual. Have defective switches replaced by authorized service center. Don't use the cleaner if switch does not turn it on and off.
23. For user servicing, the machine shall be dismantled, cleaned and serviced, as far as is reasonably practicable, without causing risk to the maintenance staff and others.
24. The machine should be technically inspected by the manufacturer, or an instructed person, at least annually, consisting of, for example, inspection of filters for damage, air tightness of the machine and proper function of the control mechanism.
25. When carrying out service or repair operations, all contaminated items which cannot be satisfactorily cleaned are to be disposed of; such items shall be disposed of in impervious bags in accordance with any current regulation for the disposal of such waste.
26. **REPLACEMENT PARTS.** When servicing, use only identical replacement parts.
27. When not in use, always store the cleaner indoors.
28. Wet filters and the interior part of the liquid container shall be dried before storage.
29. Be kind to your cleaner. Rough handling can cause breakage of even the most sturdily built cleaner.
30. Do not attempt to clean the exterior or interior with benzine, thinner or cleaning chemicals. Cracks and discoloration may be caused.
31. Do not use cleaner in an enclosed space where flammable, explosive or toxic vapors are given off by oil-based paint, paint-thinner, gasoline, some mothproofing substances, etc., or in areas where flammable dust is present.
32. Do not operate the cleaner or any tool while under the influence of drugs or alcohol.
33. As a basic rule of safety, use safety goggles or safety glasses with side shields.
34. Use a dust mask in dusty work conditions.
35. This machine is not intended for use by persons including children with reduced physical, sensory or mental capabilities, or lack of experience and knowledge.
36. Children should be supervised to ensure that they do not play with the cleaner.
37. Never handle battery(ies) and cleaner with wet hands.
38. Use extreme caution when cleaning on stairs.
39. Do not use the cleaner as a stool or work bench. The machine may fall down and may result in personal injury.

Battery tool use and care

1. **Recharge only with the charger specified by the manufacturer.** A charger that is suitable for one type of battery pack may create a risk of fire when used with another battery pack.
2. **Use power tools only with specifically designed battery packs.** Use of any other battery packs may create a risk of injury and fire.
3. **When battery pack is not in use, keep it away from other metal objects, like paper clips, coins, keys, nails, screws or other small metal objects, that can make a connection from one terminal to another.** Shorting the battery terminals together may cause burns or a fire.
4. **Under abusive conditions, liquid may be ejected from the battery; avoid contact. If contact accidentally occurs, flush with water. If liquid contacts eyes, additionally seek medical help.** Liquid ejected from the battery may cause irritation or burns.
5. **Do not use a battery pack or tool that is damaged or modified.** Damaged or modified batteries may exhibit unpredictable behaviour resulting in fire, explosion or risk of injury.
6. **Do not expose a battery pack or tool to fire or excessive temperature.** Exposure to fire or temperature above 130 °C may cause explosion.
7. **Follow all charging instructions and do not charge the battery pack or tool outside the temperature range specified in the instructions.** Charging improperly or at temperatures outside the specified range may damage the battery and increase the risk of fire.

SAVE THESE INSTRUCTIONS.

⚠WARNING: DO NOT let comfort or familiarity with product (gained from repeated use) replace strict adherence to safety rules for the subject product. MISUSE or failure to follow the safety rules stated in this instruction manual may cause serious personal injury.

Important safety instructions for battery cartridge

1. Before using battery cartridge, read all instructions and cautionary markings on (1) battery charger, (2) battery, and (3) product using battery.
2. Do not disassemble or tamper with the battery cartridge. It may result in a fire, excessive heat, or explosion.
3. If operating time has become excessively shorter, stop operating immediately. It may result in a risk of overheating, possible burns and even an explosion.
4. If electrolyte gets into your eyes, rinse them out with clear water and seek medical attention right away. It may result in loss of your eyesight.
5. Do not short the battery cartridge:
 - (1) Do not touch the terminals with any conductive material.
 - (2) Avoid storing battery cartridge in a container with other metal objects such as nails, coins, etc.
 - (3) Do not expose battery cartridge to water or rain.

A battery short can cause a large current flow, overheating, possible burns and even a breakdown.

6. **Do not store and use the tool and battery cartridge in locations where the temperature may reach or exceed 50 °C (122 °F).**
7. **Do not incinerate the battery cartridge even if it is severely damaged or is completely worn out. The battery cartridge can explode in a fire.**
8. **Do not nail, cut, crush, throw, drop the battery cartridge, or hit against a hard object to the battery cartridge.** Such conduct may result in a fire, excessive heat, or explosion.
9. **Do not use a damaged battery.**
10. **The contained lithium-ion batteries are subject to the Dangerous Goods Legislation requirements.**

For commercial transports e.g. by third parties, forwarding agents, special requirement on packaging and labeling must be observed. For preparation of the item being shipped, consulting an expert for hazardous material is required. Please also observe possibly more detailed national regulations.

Tape or mask off open contacts and pack up the battery in such a manner that it cannot move around in the packaging.
11. **When disposing the battery cartridge, remove it from the tool and dispose of it in a safe place. Follow your local regulations relating to disposal of battery.**
12. **Use the batteries only with the products specified by Makita.** Installing the batteries to non-compliant products may result in a fire, excessive heat, explosion, or leak of electrolyte.
13. **If the tool is not used for a long period of time, the battery must be removed from the tool.**
14. **During and after use, the battery cartridge may take on heat which can cause burns or low temperature burns. Pay attention to the handling of hot battery cartridges.**
15. **Do not touch the terminal of the tool immediately after use as it may get hot enough to cause burns.**
16. **Do not allow chips, dust, or soil stuck into the terminals, holes, and grooves of the battery cartridge.** It may cause heating, catching fire, burst and malfunction of the tool or battery cartridge, resulting in burns or personal injury.
17. **Unless the tool supports the use near high-voltage electrical power lines, do not use the battery cartridge near a high-voltage electrical power lines.** It may result in a malfunction or breakdown of the tool or battery cartridge.
18. **Keep the battery away from children.**

SAVE THESE INSTRUCTIONS.

⚠CAUTION: Only use genuine Makita batteries. Use of non-genuine Makita batteries, or batteries that have been altered, may result in the battery bursting causing fires, personal injury and damage. It will also void the Makita warranty for the Makita tool and charger.

Tips for maintaining maximum battery life

1. Charge the battery cartridge before completely discharged. Always stop tool operation and charge the battery cartridge when you notice less tool power.
2. Never recharge a fully charged battery cartridge. Overcharging shortens the battery service life.
3. Charge the battery cartridge with room temperature at 10 °C - 40 °C (50 °F - 104 °F). Let a hot battery cartridge cool down before charging it.
4. When not using the battery cartridge, remove it from the tool or the charger.
5. Charge the battery cartridge if you do not use it for a long period (more than six months).

Important safety instructions for wireless unit

1. Never open the lid of the slot by yourself once installing the wireless unit.
2. Do not disassemble or tamper with the wireless unit.
3. Keep the wireless unit away from young children. If accidentally swallowed, seek medical attention immediately.
4. Use the wireless unit only with Makita tools.
5. Do not expose the wireless unit to rain or wet conditions.
6. Do not use the wireless unit in places where the temperature exceeds 50 °C (122 °F).
7. Do not operate the wireless unit in places where medical instruments, such as heart pace makers are nearby.
8. Do not operate the wireless unit in places where automated devices are nearby. If operated, automated devices may develop malfunction or error.
9. Do not operate the wireless unit in places under high temperature or places where static electricity or electrical noise could be generated.
10. The wireless unit can produce electromagnetic fields (EMF) but they are not harmful to the user.
11. The wireless unit is an accurate instrument. Be careful not to drop or strike the wireless unit.
12. Avoid touching the terminal of the wireless unit with bare hands or metallic materials.
13. Always remove the battery on the product when installing the wireless unit into it.
14. When opening the lid of the slot, avoid the place where dust and water may come into the slot. Always keep the inlet of the slot clean.
15. Always insert the wireless unit in the correct direction.
16. Do not press the wireless activation button on the wireless unit too hard and/or press the button with an object with a sharp edge.
17. Always close the lid of the slot when operating.

18. Do not remove the wireless unit from the slot while the power is being supplied to the tool. Doing so may cause a malfunction of the wireless unit.
19. Do not remove the sticker on the wireless unit.
20. Do not put any sticker on the wireless unit.
21. Do not leave the wireless unit in a place where static electricity or electrical noise could be generated.
22. Do not leave the wireless unit in a place subject to high heat, such as a car sitting in the sun.
23. Do not leave the wireless unit in a dusty or powdery place or in a place corrosive gas could be generated.
24. Sudden change of the temperature may bedew the wireless unit. Do not use the wireless unit until the dew is completely dried.
25. When cleaning the wireless unit, gently wipe with a dry soft cloth. Do not use benzine, thinner, conductive grease or the like.
26. When storing the wireless unit, keep it in the supplied case or a static-free container.
27. Do not insert any devices other than Makita wireless unit into the slot on the tool.
28. Do not use the tool with the lid of the slot damaged. Water, dust, and dirt come into the slot may cause malfunction.
29. Do not pull and/or twist the lid of the slot more than necessary. Restore the lid if it comes off from the tool.
30. Replace the lid of the slot if it is lost or damaged.

SAVE THESE INSTRUCTIONS.

FUNCTIONAL DESCRIPTION

CAUTION: Always be sure that the appliance is switched off and the battery cartridges are removed before adjusting or checking function on the appliance.

Installing or removing battery cartridge

CAUTION: Always switch off the tool before installing or removing of the battery cartridge.

CAUTION: Hold the cleaner and the battery cartridge firmly when installing or removing battery cartridge. Failure to hold the cleaner and the battery cartridge firmly may cause them to slip off your hands and result in damage to the cleaner and battery cartridge and a personal injury.

CAUTION: Be careful not to pinch your fingers when opening or closing the battery cover. Failure to do so may cause personal injury.

To install the battery cartridge, release the lock first, and then open the battery cover. After that, insert the battery cartridge.

► **Fig.1:** 1. Lock 2. Battery cover

Align the tongue on the battery cartridge with the groove in the housing and slip it into place. Insert it all the way until it locks in place with a little click. Then lock the battery cover.

► **Fig.2:** 1. Battery cartridge 2. Button

To remove the battery cartridge, slide it from the tool while sliding the button in front of the cartridge.

CAUTION: Always install the battery cartridge fully. If not, it may accidentally fall out of the cleaner, causing injury to you or someone around you.

CAUTION: Do not install the battery cartridge forcibly. If the cartridge does not slide in easily, it is not being inserted correctly.

NOTE: The cleaner does not work with only one battery cartridge.

Indicating the remaining battery capacity

Press the check button on the battery cartridge to indicate the remaining battery capacity. The indicator lamps light up for a few seconds.

► **Fig.3:** 1. Indicator lamps 2. Check button

Indicator lamps			Remaining capacity
Lighted	Off	Blinking	
■	□	◐	75% to 100%
■ ■ ■ ■			
■ ■ ■	□		50% to 75%
■ ■	□ □		25% to 50%
■	□ □ □		0% to 25%
◐	□ □ □		Charge the battery.
■ ■ □ □	□ □	■ ■	The battery may have malfunctioned.
	□ □	■ ■	

NOTE: Depending on the conditions of use and the ambient temperature, the indication may differ slightly from the actual capacity.

NOTE: The first (far left) indicator lamp will blink when the battery protection system works.

Battery indicators on control panel

The remaining battery capacity can be read on the control panel at any time. Press the check button, and the left and right indicators will show the battery charge levels correspondingly.

► **Fig.4:** 1. Left battery indicator 2. Right battery indicator 3. Check button

► **Fig.5**

Battery indicator status			Remaining battery capacity
On	Off	Blinking	
			50% to 100%
			20% to 50%
			0% to 20%
			Charge the battery
			Battery not inserted

NOTE: Battery indicator works while two batteries are inserted.

NOTE: The battery indicators will also be activated when the cleaner starts functioning.

Appliance / battery protection system

The appliance is equipped with an appliance/battery protection system. This system automatically cuts off power to the motor to extend appliance and battery life. The appliance will automatically stop during operation if the appliance or battery is placed under one of the following conditions:

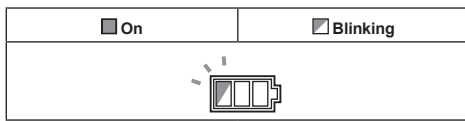
Overload protection

When the appliance/battery is operated in a manner that causes it to draw an abnormally high current, the appliance automatically stops. In this situation, turn the appliance off and stop the application that caused the appliance to become overloaded. Then turn the appliance on to restart.

Overheat protection

On	Blinking

When the appliance is overheated, the appliance stops automatically, and both left and right battery indicators blink. In this situation, let the appliance cool down and clean out the filters before turning the appliance on again.



When the battery is overheated, the appliance stops automatically, and one of the indicators for overheated battery blinks. In this situation, let the battery cool down before turning the appliance on again.

Overdischarge protection

When the battery capacity becomes low, the appliance stops automatically. If the appliance does not run along with the switch operation, remove the batteries from the appliance and recharge them.

Protections against other causes

Protection system is also designed for other causes that could damage the appliance and allows the appliance to stop automatically. Take all the following steps to clear the causes, when the appliance has been brought to a temporary halt or stop in operation.

1. Turn the appliance off, and then turn it on again to restart.
2. Charge the battery(ies) or replace it/them with recharged battery(ies).
3. Let the appliance and battery(ies) cool down.

If no improvement can be found by restoring protection system, then contact your local Makita Service Center.

Switch action

Turning cleaner on

1. Turn the stand-by switch in the "I" (ON) or "AUTO" (ON) position to have the cleaner ready in stand-by mode.
2. Press the power button.
To switch back to stand-by mode, press the power button again.

Turning cleaner off

Perform one of the following steps.

- Press the power button to set the cleaner back in stand-by mode.
- Turn the stand-by switch in the "O" (OFF) position.

Adjusting suction power

The suction power can be adjusted according to your work needs.

- Turn the suction force adjusting knob to the left to reduce the suction power.
- Turn the suction force adjusting knob to the right to increase the suction power.

Hose diameter selection

Turn the hose diameter selection dial to the hose's diameter that you are going to use.

NOTE: Do not turn the dial to a gap between the numbers. Always turn the dial according to the hose diameter.

- **Fig.6:** 1. Stand-by switch 2. Suction force adjusting knob 3. Hose diameter selection dial 4. Power button

NOTICE: Always set the stand-by switch to the "O" side when not using the cleaner for long time. The cleaner consumes power during stand-by state.

Warning beep

There are two types of beeping sound. One is short beeps, and the other is continuous beeps.

- When the air flow speed falls under 20 m/s, the cleaner emits short warning beeps for safety reasons. When it sounds, check the hose diameter selection dial or if the suction force is not too low. If the beeps keep sounding, perform maintenance or ask your local service center.
- When the tank is filled with liquid, the cleaner emits continuous warning beeps and stops automatically.
After the cleaner stops, switch off the cleaner and empty the tank.

Auto-suction stop during wet suction operation

⚠ WARNING: Do not pick up foam or soapy liquid. It can cause foam to come out of air exit. Continuous use under such conditions may cause an electric shock and breakage of the cleaner.

The cleaner has a mechanism that prevents water from immersing into the motor when picking up more than a certain amount of water.

When the tank is full with liquid, the cleaner emits continuous warning beeps and stops automatically. After the cleaner stops, switch off the cleaner and empty the tank.

Filter cleaning system

This appliance has filter cleaning system. During the use of the appliance, filter cleaning system dusts the filters automatically to prevent the suction force lowering because of clogging of filters.

If the appliance sucks up the large quantity of dust all at once, suction force may decrease. In that case, manual filter cleaning is recommended.

1. Switch off the appliance.
2. Set the suction power to maximum, and then close the suction hose opening with your palm.
3. Switch on the appliance and operate for approximately 15 seconds with the suction hose opening closed.

► **Fig.7:** 1. Suction hose opening

NOTE: Air volume may change while the filter cleaning system is being activated but it is not malfunctioned.

Water drain

When the tank is full with liquid, switch off the cleaner and open the water drain cap to empty the tank.

► **Fig.8:** 1. Water drain cap

Cap

The cap is supplied with the appliance. Mounting the cap on the hose connecting port prevents the vacuumed dust from getting out from the cleaner.

► **Fig.9:** 1. Cap

Locking and unlocking casters

Front casters can be locked with stoppers to help the cleaner stand still.

Lower the stopper lever by hand to lock the caster, and raise it up to release.

► **Fig.10:** 1. Caster 2. Stopper lever 3. Unlocked position 4. Locked position

NOTE: When moving the cleaner, make sure that the caster is unlocked. Moving the cleaner with the caster in a locked position may cause damage to the caster.

Carriage handle

CAUTION: Lift and carry the appliance with due care. Failing to do so may result in personal injury or damage to the appliance.

When carrying the cleaner, carry it by holding the handle on the head unit. The handle is retractable on the head unit when not in use.

► **Fig.11**

If it is difficult to carry the appliance by yourself, carry it by two people as shown in the figure.

► **Fig.12**

► **Fig.13**

ASSEMBLY

WARNING: This unit may contain hazardous dust. When replacing filter elements and dust bag or maintenance, always use a P2-respirator.

CAUTION: Always be sure that the appliance is switched off and the battery cartridges are removed before carrying out any work on the appliance.

Installing and disposing filter bag

WARNING: Always use a P2-respirator.

WARNING: Before using a filter bag, make sure that the filter unit is used together. Failure to use the filter unit together may cause unusual noise and heat, resulting in a fire.

WARNING: When using the appliance as dust class M, always make sure to use filter bag.

NOTICE: Never pick up water or other liquids or wet dusts when using a filter bag. Picking up such things may cause the filter bag breakage.

1. Release the locking hooks and lift the head unit up off the tank.

► **Fig.14:** 1. Locking hook

2. Unfold a filter bag.

3. Align the filter bag opening with the dust intake of the tank.

4. Insert the cardboard of the filter bag onto the tool so that it is positioned at the end beyond the detent protrusion.

► **Fig.15:** 1. Filter bag 2. Cardboard opening 3. Filter bag holder 4. Dust intake 5. Edge

When disposing the filter bag, pull the edge on the filter bag's mouth so that the mouth is closed by a paper.

Installing polyethylene bag

Optional accessory

Lay a polyethylene bag over the tank, and slip one side of the top edge of the bag at its open end in between the holder plate and the front wall of the tank.

Then, spread the other top edges of the bag outwards over the top rims of the tank.

Polyethylene bag can be used with filter bag.

► **Fig.16:** 1. Holder plate 2. Front wall of tank 3. Polyethylene bag

NOTE: A polyethylene bag available on the market can be used. The thickness is over 0.04 mm and the perimeter is over 2,000 mm one is recommended.

NOTE: Too much dust will tear the polyethylene bag easily, so do not overfill the bag. Disposing the heavy bag may be a burden on a human body.

Emptying tank with polyethylene bag

WARNING: Always make sure that the cleaner is switched off and the battery cartridges are removed before emptying the tank. Failure to do so may cause an electric shock and serious personal injury.

NOTICE: Empty the tank at least once a day although this depends on picked-up dust volume in the tank. Or, the suction force will weaken and the motor may be broken.

NOTICE: Do not grab the locking hooks when emptying the tank. Grabbing the locking hooks may cause them to break.

1. Release the locking hooks and lift the head unit up off the tank.

2. Remove the polyethylene bag out of the tank, closing the opening of the bag by hand.

► **Fig.17:** 1. Polyethylene bag 2. Tank

NOTE: Take the polyethylene bag out of the tank carefully to avoid it from being scratched and torn by the edges inside the tank.

NOTE: Empty the polyethylene bag before it becomes full. Too much dust in the tank may cause the polyethylene bag to be torn.

Installing hose

NOTICE: Never force the hose for bending or stamp it. Never move the cleaner by pulling the hose. Forcing, stamping and pulling the hose may cause a breakage or deformation of the hose.

NOTICE: When picking up large wastes such as planer carvings, concrete dusts or similar other than small wastes, use the 38 mm inner diameter hose (optional accessory). Using the 28 mm inner diameter hose (optional accessory) may cause a hose stuffing and damage.

NOTICE: Always put the cap on the mounting port whenever you remove the hose from the cleaner.

Connection to cleaner

Remove the cap from the mounting port. The cap can be stored at the rear of the cleaner while the hose is connected to the cleaner.

► **Fig.18:** 1. Cap

Insert the hose end to the dust intake (hose inlet) of the cleaner, then turn it clockwise until it locks in place.

► **Fig.19:** 1. Hose 2. Dust intake (hose inlet)

Connections with your work tools (Country specific)

By connecting the vacuum cleaner to any available work tools compatible with the cleaner, it works as a dust extractor for your power tools.

Select one of the front cuffs or joints (optional accessories) as most suitable for your tool model. Place the cuffs or joint, as necessary, between the front end of the cleaner hose and a dust extraction port of your tool.

► **Fig.20:** 1. Front cuffs or joint 2. Cleaner hose
3. Power tool 4. Vacuum cleaner

Installing or removing cleaner attachments

CAUTION: After installing an attachment, check if it is securely installed. If the attachment is installed imperfectly, it may come off and cause personal injury.

Attachments without lock function

Optional accessory

Insert an attachment into the suction inlet of the cleaner by pushing and hand screwing it in place.

Hand twist and pull the attachment apart from the suction inlet after use.

► **Fig.21**

Installing MAKPAC

Optional accessory

CAUTION: Do not stand on or sit on the top of the appliance. It may fall down because of instability.

CAUTION: Be careful with the operation when installing MAKPAC. Failing to do so may result in personal injury or damage to the appliance.

CAUTION: When MAKPAC is installed on the appliance, do not lift the appliance with the handle of MAKPAC.

CAUTION: When moving the appliance which is installed MAKPAC, do not push MAKPAC but the body of appliance. Pushing MAKPAC may break the latches and drop MAKPAC, which may result in personal injury.

Connectable and stackable MAKPAC storage cases can be installed on top of the cleaner. The cases are available in many sizes and styles to suit your preferences.

1. Unfold the latches on top surface of the cleaner.

► **Fig.22:** 1. Latch

2. Mount the MAKPAC cases on top of the cleaner and fix it with latches.

► **Fig.23:** 1. Latch 2. MAKPAC

Maximum height and weight of installing MAKPAC are 315 mm and 20 kg respectively.

► **Fig.24**

OPERATION

WARNING: Always use a P2-respirator.

CAUTION: If foam or liquid escapes from the tool, switch off immediately. Continuing to use in this condition may cause an electric shock and breakage of the cleaner.

WIRELESS ACTIVATION FUNCTION

Optional accessory

What you can do with the wireless activation function

The wireless activation function enables clean and comfortable operation. By connecting a supported tool to the cleaner, you can run the cleaner automatically along with the switch operation of the tool.

► **Fig.25**

NOTICE: Be sure to refer to the instruction manual of the tool when using the cleaner with wireless activation function.

NOTICE: Do not disassemble or tamper with the wireless unit.

NOTICE: To prevent dust coming into the slot of the wireless unit, always close the lid securely during operation and storage.

NOTICE: Do not press the wireless activation button too hard and/or press the button with an object with a sharp edge.

NOTE: Wireless activation needs Makita tools equipped with the wireless unit.

NOTE: Prior to the initial use of the wireless activation function with each tool, the tool registration is required. Once the registration is finished with the tool, the re-registration is not required unless it is cancelled.

NOTE: Before registration, be sure that the wireless unit is properly inserted.

NOTE: One wireless unit can register up to 10 links with other wireless units. If more than 10 other wireless units are registered to one wireless unit, the one registered earliest will be cancelled automatically.

NOTE: The position of the wireless activation button varies depending on the tool.

NOTE: The cleaner also starts by pressing the power button when the stand-by switch is set to "AUTO". However the power button will not actuate when the wireless activation function is used.

Installing the wireless unit

⚠ WARNING: Open the lid when you install the wireless unit at the first time only. Never open the lid after installing it.

⚠ CAUTION: Place the cleaner on a flat and stable surface when installing the wireless unit.

NOTICE: Clean the dust and dirt on the cleaner before installing the wireless unit. Dust or dirt may cause malfunction if it comes into the slot of the wireless unit.

NOTICE: To prevent the malfunction caused by static, touch a static discharging material, such as a metallic part, before picking up the wireless unit.

NOTICE: When installing the wireless unit, always be sure that the wireless unit is inserted in the correct direction and the lid is completely closed.

1. Loosen the screw to open the lid on the cleaner as shown in the figure.
▶ **Fig.26:** 1. Lid 2. Screw

2. Insert the wireless unit to the slot.

When inserting the wireless unit, align the projections with the recessed portions on the slot.

- ▶ **Fig.27:** 1. Wireless unit 2. Projection 3. Lid
4. Recessed portion

3. Tighten the screw completely to close the lid.

Tool registration for the cleaner

NOTE: A Makita tool supporting the wireless activation function is required for the tool registration.

NOTE: Finish installing the wireless unit to the tool before starting the tool registration.

NOTE: During the tool registration, do not pull the switch trigger on the tool or turn on the power switch on the cleaner.

NOTE: Refer to the instruction manual of the tool, too.

If you wish to activate the cleaner along with the switch operation of the tool, finish the tool registration beforehand.

1. Install the wireless units to the cleaner and the tool, respectively.
2. Install the batteries to the cleaner and the tool.
3. Set the stand-by switch on the cleaner to "AUTO".
▶ **Fig.28:** 1. Stand-by switch
4. Press the wireless activation button on the cleaner for 3 seconds until the wireless activation lamp blinks in green. And then press the wireless activation button on the tool in the same way.
▶ **Fig.29:** 1. Wireless activation button 2. Wireless activation lamp

If the cleaner and the tool are linked successfully, the wireless activation lamps will light up in green for 2 seconds and start blinking in blue.

NOTE: The wireless activation lamps finish blinking in green after 20 seconds elapsed. Press the wireless activation button on the tool while the wireless activation lamp on the cleaner is blinking. If the wireless activation lamp does not blink in green, push the wireless activation button briefly and hold it down again.

NOTE: When performing two or more tool registration for the cleaner, finish the tool registration one by one.

Starting the wireless activation function

NOTE: Finish the tool registration for the cleaner for wireless activation.

NOTE: Always place the cleaner so that you can see the status of the wireless activation lamp.

NOTE: Refer to the instruction manual of the tool, too.

After registering a tool to the cleaner, the cleaner will automatically runs along with the switch operation of the tool.

1. Install the wireless units to the cleaner and the tool, respectively.
2. Install the batteries to the cleaner and the tool.
3. Connect the hose of the cleaner with the tool.
▶ **Fig.30**
4. Set the stand-by switch on the cleaner to "AUTO".
▶ **Fig.31:** 1. Stand-by switch

5. Push the wireless activation button on the tool briefly. The wireless activation lamp will blink in blue.

► **Fig.32:** 1. Wireless activation button 2. Wireless activation lamp

6. Turn on the tool. Check if the cleaner runs while the tool is operating.

CAUTION: Always check if the wireless activation function works before starting a work with the tool.

To stop the wireless activation, push the wireless activation button on the tool, or set the stand-by switch on the cleaner to "I" or "O".

NOTE: The wireless activation lamp on the tool will stop blinking in blue when there is no operation for 2 hours. In this case, set the stand-by switch on the cleaner to "AUTO" and press the wireless activation button on the tool again.

NOTE: The cleaner starts/stops with a delay. There is a time lag when the cleaner detects a switch operation of the tool.

NOTE: The transmission distance of the wireless unit may vary depending on the location and surrounding circumstances.

NOTE: When two or more tools are registered to one cleaner, the cleaner may start running even if you do not turn on the tool because other user is using the wireless activation function.

Cancelling tool registration for the cleaner

Perform the following procedure when cancelling the tool registration for the cleaner.

1. Install the wireless units to the cleaner and the tool, respectively.
2. Install the batteries to the cleaner and the tool.
3. Set the stand-by switch on the cleaner to "AUTO".

► **Fig.33:** 1. Stand-by switch

4. Press the wireless activation button on the cleaner for 6 seconds. The wireless activation lamp blinks in green and then become red. After that, press the wireless activation button on the tool in the same way.

► **Fig.34:** 1. Wireless activation button 2. Wireless activation lamp

If the cancellation is performed successfully, the wireless activation lamps will light up in red for 2 seconds and start blinking in blue.

NOTE: The wireless activation lamps finish blinking in red after 20 seconds elapsed. Press the wireless activation button on the tool while the wireless activation lamp on the cleaner is blinking. If the wireless activation lamp does not blink in red, push the wireless activation button briefly and hold it down again.

Erasing all tool registrations

You can erase all tool registrations from the cleaner as follows.

► **Fig.35:** 1. Stand-by switch 2. Wireless activation button 3. Wireless activation lamp











1. Install the wireless unit to the cleaner.
2. Install the batteries to the cleaner.
3. Set the stand-by switch to "AUTO".
4. Hold down the wireless activation button for about 6 seconds until the wireless activation lamp blinks in red (about twice per one second).
5. When the wireless activation lamp starts blinking in red, release your finger from the wireless activation button. Thereafter, hold down the wireless activation button again for about 6 seconds.
6. When the wireless activation lamp starts blinking fast (about 5 times per one second) in red, release your finger from the wireless activation button. When the wireless activation lamp lights up in red and later lights off, all tool registrations are erased.

NOTE: If the wireless activation lamp does not blink in red, press the wireless activation button briefly and try again.

Description of the wireless activation lamp status

► **Fig.36:** 1. Wireless activation button 2. Wireless activation lamp

The wireless activation lamp shows the status of the wireless activation function. Refer to the below table for the meaning of the lamp status.

Status	Wireless activation lamp			Description
	Color	 On	 Blinking	
Standby	Blue		Cleaner: continuing Tool: 2 hours	Waiting for the tool registration or the wireless activation function is available. The lamp on the cleaner blinks when the stand-by switch is set in AUTO. The lamp on the tool blinks when the wireless activation button is pushed. The lamp on the tool will automatically turn off when no operation is performed for 2 hours.
			When the tool is running.	The wireless activation of the cleaner is available and the tool is running.
Tool registration	Green		20 seconds	Ready for the tool registration. Searching the tool to be registered.
			2 seconds	The tool registration has been finished. The wireless activation lamp will start blinking in blue.
Cancelling/erasing tool registration	Red	 (slow: 2 times/sec.)	20 seconds	Ready for the cancellation of the tool registration. Searching the tool to be cancelled.
		 (fast: 5 times/sec.)	When the wireless activation button is pressed down.	Ready to erase all tool registrations.
			2 seconds	The tool registration has been cancelled/erased. The wireless activation lamp will start blinking in blue.
Others	Red		3 seconds	The power is supplied to the wireless unit and the wireless activation function is starting up.
	Off	-	-	The stand-by switch is not set to "AUTO".

Troubleshooting for wireless activation function

Before asking for repairs, conduct your own inspection first. If you find a problem that is not explained in the manual, do not attempt to dismantle the tool. Instead, ask Makita Authorized Service Centers, always using Makita replacement parts for repairs.

State of abnormality	Probable cause (malfunction)	Remedy
The wireless activation lamp does not light/blink.	The wireless unit is not installed into the cleaner and/or the tool. The wireless unit is improperly installed into the cleaner and/or the tool.	Install the wireless unit correctly.
	The wireless activation button on the tool has not been pushed.	Push the wireless activation button on the tool briefly.
	The stand-by switch on the cleaner is not set to "AUTO".	Set the stand-by switch on the cleaner to "AUTO".
	No power supply	Supply the power to the tool and the cleaner.
Cannot finish tool registration / cancelling tool registration successfully.	The wireless unit is not installed into the cleaner and/or the tool. The wireless unit is improperly installed into the cleaner and/or the tool.	Install the wireless unit correctly.
	The stand-by switch on the cleaner is not set to "AUTO".	Set the stand-by switch on the cleaner to "AUTO".
	No power supply	Supply the power to the tool and the cleaner.
	Incorrect operation	Push the wireless activation button briefly and perform the tool registration/cancellation procedures again.
	The tool and cleaner are away from each other (out of the transmission range).	Get the tool and the cleaner closer to each other. The maximum transmission distance is approximately 10 m however it may vary according to the circumstances.
	Before finishing the tool registration/cancellation; - the switch of the tool is turned on or; - the power button on the cleaner is turned on.	Push the wireless activation button briefly and perform the tool registration/cancellation procedures again.
	The tool registration procedures for the tool or the cleaner has not finished.	Perform the tool registration procedures for the tool and the cleaner at the same timing.
	Radio disturbance by other appliances which generate high-intensity radio waves.	Keep the tool and the cleaner away from the appliances such as Wi-Fi devices and microwave ovens.
The cleaner does not run along with the switch operation of the tool.	The wireless unit is not installed into the cleaner and/or the tool. The wireless unit is improperly installed into the cleaner and/or the tool.	Install the wireless unit correctly.
	The wireless activation button on the tool has not been pushed.	Push the wireless activation button briefly and make sure that the wireless activation lamp is blinking in blue.
	The stand-by switch on the cleaner is not set to "AUTO".	Set the stand-by switch on the cleaner to "AUTO".
	More than 10 tools are registered to the cleaner.	Perform the tool registration again. If more than 10 tools are registered to the cleaner, the tool registered earliest will be cancelled automatically.
	The cleaner erased all tool registrations.	Perform the tool registration again.
	No power supply	Supply the power to the tool and the cleaner.
	The tool and cleaner are away from each other (out of the transmission range).	Get the tool and the cleaner closer to each other. The maximum transmission distance is approximately 10 m however it may vary according to the circumstances.
	Radio disturbance by other appliances which generate high-intensity radio waves.	Keep the tool and the cleaner away from the appliances such as Wi-Fi devices and microwave ovens.
The cleaner runs while the tool is not operating.	Other users are using the wireless activation of the cleaner with their tools.	Turn off the wireless activation button of the other tools or cancel the tool registration of the other tools.
Cannot erase all tool registrations in the cleaner.	Pressing the wireless button on the tool.	Press the wireless button on the cleaner for erasing all tool registrations.
	The stand-by switch on the cleaner is not set to "AUTO".	Set the stand-by switch on the cleaner to "AUTO".
	The wireless activation button is not held down correctly.	Hold down the wireless activation button for more than 6 seconds and then release it when the wireless activation lamp blinks in red. Hold down the wireless activation button for more than 6 seconds again until the wireless activation button rapidly blinks in red and then release the button.

MAINTENANCE

⚠ WARNING: Always use a P2-respirator during performing maintenance.

⚠ CAUTION: Always be sure that the appliance is switched off and the battery cartridges are removed before attempting to perform inspection or maintenance.

⚠ CAUTION: A technical inspection, including inspection of filters, air tightness, and control mechanism, must be performed at least once a year by an instructed person.

⚠ CAUTION: During maintenance, all contaminated items which cannot be satisfactorily cleaned must be disposed. Such items must be disposed of in impervious bags which accord with your country's regulations.

⚠ CAUTION: After the operation in the hazardous area, the outside of the tool must be decontaminated by vacuum cleaning methods and wiped clean or treated with sealant before you take the tool out of a hazardous area. All the parts of the tool must be regarded as contaminated when removed from the hazardous area, and appropriate action must be taken to prevent dust dispersal.

⚠ CAUTION: Change filters when filters are clogged with dust or you feel that the cleaner's performance declined.

⚠ CAUTION: Check the filters periodically. If there is a tear on filters, replace them immediately.

NOTICE: Never use gasoline, benzine, thinner, alcohol or the like. Discoloration, deformation or cracks may result.

To maintain product SAFETY and RELIABILITY, repairs, any other maintenance or adjustment should be performed by Makita Authorized or Factory Service Centers, always using Makita replacement parts.

Removing the filter unit

⚠ CAUTION: Wait for about 5 minutes so that dust in the tank completely settles down.

⚠ CAUTION: Be careful not to let the dust enter inside the tank cover when removing the filter unit.

The filter unit is attached on the head unit. It consists of top plate, prefilters, dampers and powder filters.

1. Release the locking hooks and lift the head unit up off the tank.

2. Remove the filter unit from the head unit as shown in the figure.

► **Fig.37:** 1. Latch 2. Filter unit

Removing powder filter and prefilter

Picking up the knob and remove filters from the top plate.

► **Fig.38:** 1. Top plate 2. Filters 3. Knob

To prevent dusts from floating in the air, removing filters in the polyethylene bag is preferable.

When carrying the filter unit in order to clean out, tie a polyethylene bag firmly.

► **Fig.39:** 1. Filter unit 2. Polyethylene bag

► **Fig.40:** 1. Top plate 2. Filters 3. Polyethylene bag

Cleaning of powder filter, prefilter and damper

Clean out the filters and damper from time to time. Clogged filters and damper may result in poor suction performance.

Regularly clean out the accumulated dust of filters and damper.

Occasionally wash the powder filter, prefilter and damper in water, rinse and dry thoroughly in the shade before use. Never wash them in a washing machine.

► **Fig.41**

NOTE: Do not rub or scratch the powder filter, the prefilter and the damper with hard objects such as a brush and a paddle.

NOTE: The filters wear out in course of time. It is recommended to have some spares for them.

Installing powder filter and prefilter

NOTICE: The powder filter and prefilter can pick up both dry dusts and wet dusts. Make sure that the water level sensors activate properly to prevent the powder filter breakage.

Hook the edges of the filter unit to the top plate, and then lower the knob.

► **Fig.42:** 1. Edge 2. Knob

NOTICE: Before using the powder filter, make sure that prefilter and damper are used together. It is not allowed to install powder filter alone.

Assembling the filters

When you get the filters separately, assemble them as shown in the figure.

► **Fig.43:** 1. Powder filter 2. Damper 3. Prefilter

Installing the filter unit

After installing the filters to the top plate, hook the holes of the filter unit to the U-shaped parts of the inner cover. Then, lock the latch as shown in the figure.

► **Fig.44:** 1. U-shaped part 2. Hole 3. Latch

Installing water filter

Optional accessory

NOTICE: For picking up wet dust, make sure that the water level sensors activate properly.

NOTICE: Do not use prefilter and damper when using water filter.

To pick up water or wet dust only, the water filter is more suitable than the powder filter and prefilter.

When installing the water filter, fit the water filter to the top plate same as powder filter and prefilter.

► Fig.45

NOTE: It is recommended that using water filter when picking up large amount of water repeatedly. Otherwise vacuum ability may be reduced in case of the powder filter and prefilter.

Cleaning the water level sensors

The water level sensors detect liquid when the tank becomes full with liquid. Clean the water level sensors with a soft cloth from time to time when changing filters.

► Fig.46: 1. Water level sensor

Storage of accessories

Accessories and attachments not in use, such as nozzles, pipes and a cap can be stored hanging on the hook at the rear of the cleaner.

► Fig.47: 1. Accessory and attachment not in use
2. Cap

Pipes (with an optional stopper installed) can be placed into the pipe holder when not using the cleaner for a short time.

► Fig.48: 1. Stopper (optional accessory) 2. Pipe holder

A hose can be wrapped and stored around the housing or handle of the cleaner in large loops. Connect its both ends together to make loops and hook the loops onto the handle raised up. Alternatively, keep its root end installed in the hose inlet and hang the loops on the multi hook with the loose end tied up.

► Fig.49

► Fig.50

OPTIONAL ACCESSORIES

CAUTION: These accessories or attachments are recommended for use with your Makita tool specified in this manual. The use of any other accessories or attachments might present a risk of injury to persons. Only use accessory or attachment for its stated purpose.

If you need any assistance for more details regarding these accessories, ask your local Makita Service Center.

- Hose
- Front cuffs (22, 24, 38)
- Straight pipe
- Corner nozzle
- Round brush
- Powder filter M, H (HEPA)
- Damper
- Prefilter
- Water filter
- Nozzle assembly
- Bent pipe
- Polyethylene bag
- Filter bag
- Cap
- Makita genuine battery and charger
- Wireless unit
- MAKPAC

NOTE: Some items in the list may be included in the tool package as standard accessories. They may differ from country to country.

VARNING

- Denna maskin är inte avsedd för användning av personer med nedsatta fysiska, sensoriska eller mentala förmågor, eller som inte har nog med erfarenhet eller kunskap.
- Barn ska övervakas så att de inte leker med dammsugaren.
- Se batteriets typpreferens i kapitlet "SPECIFIKATIONER".
- Se i avsnittet "Montera eller demontera batterikassetten" hur du tar bort eller installerar batteriet.
- När batterikassetten ska kasseras måste den tas bort från verktyget och kasseras på ett säkert sätt. Följ lokala föreskrifter beträffande avfallshantering av batteriet.
- Om verktyget inte används under en lång tid måste batteriet tas bort från verktyget.
- Kortslut inte batterikassetten.
- Se uppgifter om lämpliga försiktighetsåtgärder vid användarunderhåll i kapitlet "UNDERHÅLL".

SPECIFIKATIONER

Modell:		VC006GM
Maximal luftvolym vid slutet av slangen	Med BL4050F, ø28 mm x3,5 m slang	2,0 m ³ /min
	Med BL4050F, ø38 mm x 2,5 m slang	3,7 m ³ /min
Maximal luftvolym vid turbinen (med BL4050F)		4,9 m ³ /min
Vakuum (med BL4050F)		18 kPa
Uppsamlingsförmåga	Damm	40 l
	Vatten	30 l
Dimensioner (L x B x H)		586 mm x 385 mm x 598 mm
Märkspänning		72 V - 80 V likström max
Nettovikt		18,4 - 20,8 kg
Skyddsgrad		IPX4

- På grund av vårt pågående program för forskning och utveckling kan dessa specifikationer ändras utan föregående meddelande.
- Specifikationerna kan skilja sig från land till land.
- Vikten inkluderar inte tillbehör men batterikassetter. Den lättaste och tyngsta viktcombinationen för apparaten och batterikasset(er) visas i tabellen.

Tillgänglig batterikassett och laddare

Batterikassett	BL4020 / BL4025 / BL4040* / BL4050F* / BL4080F* * : Rekommenderat batteri
Laddare	DC40RA / DC40RB / DC40RC

- Vissa av batterikassetterna och laddarna på listan ovan kanske inte finns tillgängliga i din region.

⚠ VARNING: Använd endast batterikassetter och laddare från listan ovan. Användning av andra batterikassetter och laddare kan orsaka personskada och/eller brand.

Symboler

Följande visar symbolerna som kan användas för utrustningen. Se till att du förstår innebörden innan användning.



Läs igenom bruksanvisningen.



Var extra försiktig och uppmärksam.



Varning! Dammsugaren kan innehålla farligt damm.



Stå aldrig på dammsugaren.



Placera aldrig något som är tyngre än 20 kg (44 lbs) på dammsugaren.



Dammklass M (medel): för separation av damm med ett gränsvärde för yrkesrelaterad exponering som inte är mindre än $0,1 \text{ mg/m}^3$. Dammsugarna kan samla upp dammklasserna L och M. Följ föreskrifterna i ditt land gällande damm samt hälsa och säkerhet på arbetsplatsen.



Gäller endast inom EU
P.g.a. förekomsten av farliga komponenter i utrustningen kan avfall innehållande elektrisk och elektronisk utrustning, ackumulatörer och batterier ha negativ inverkan på miljön och människors hälsa. Kassera inte elektriska och elektroniska apparater eller batterier ihop med hushållsavfall! I enlighet med EU-direktiven om avfall som utgörs av eller innehåller elektrisk och elektronisk utrustning och om batterier och ackumulatörer och förbrukade batterier och ackumulatörer, och dess införlivande i nationell lagstiftning, bör förbrukad elektrisk och elektronisk utrustning, batterier och ackumulatörer förvaras separat och transporteras till en särskild uppsamlingsplats för kommunalt avfall, som drivs i enlighet med regelverket för miljöskydd. Detta anges av symbolen med den överkryssade sotpunnan på hjul som sitter på utrustningen.

Avsedd användning

Denna apparat är avsedd för att suga upp både vått och torrt damm. Apparaten är avsedd för kommersiellt bruk, till exempel i hotell, skolor, sjukhus, fabriker, affärer, kontor och uthyrningsrörelser.

Buller

Den normala bullernivån för A-belastning är bestämd enligt EN60335-2-69:

Ljudtrycksnivå (L_{pA}): 70 dB (A) eller lägre
Mättolerans (K): 2,5 dB (A)

Bullernivån vid arbete kan överstiga 80 dB (A).

OBS: Det deklarerade bullervärdet har uppmätts i enlighet med standardtestmetoden och kan användas för jämförandet av en maskin med en annan.

OBS: Det deklarerade bulleremissionsvärdet kan också användas i en preliminär bedömning av exponering för vibration.

⚠ VARNING: Använd hörselskydd.

⚠ VARNING: Bulleremissionen under faktisk användning av maskinen kan skilja sig från det deklarerade värdet, beroende på hur maskinen används och särskilt vilken typ av arbetsstycke som behandlas.

⚠ VARNING: Var noga med att identifiera säkerhetsåtgärder för att skydda användaren, vilka är grundade på en uppskattning av graden av exponering för vibrationer under de faktiska användningsförhållandena, (ta, förutom avtryckartiden, med alla delar av användarcykeln i beräkningen, som till exempel tiden då maskinen är avstängd och när den går på tomgång).

Vibration

Det totala vibrationsvärdet (treaxlad vektorsumma) bestämt enligt EN60335-2-69:

Vibrationsemission ($a_{h,M}$): 2,5 m/s^2 eller lägre
Mättolerans (K): 1,5 m/s^2

OBS: Det deklarerade totala vibrationsvärdet har uppmätts i enlighet med standardtestmetoden och kan användas för jämförandet av en maskin med en annan.

OBS: Det deklarerade totala vibrationsvärdet kan också användas i en preliminär bedömning av exponering för vibration.

⚠ VARNING: Vibrationsemissionen under faktisk användning av maskinen kan skilja sig från det deklarerade värdet, beroende på hur maskinen används och särskilt vilken typ av arbetsstycke som behandlas.

⚠ VARNING: Var noga med att identifiera säkerhetsåtgärder för att skydda användaren, vilka är grundade på en uppskattning av graden av exponering för vibrationer under de faktiska användningsförhållandena, (ta, förutom avtryckartiden, med alla delar av användarcykeln i beräkningen, som till exempel tiden då maskinen är avstängd och när den går på tomgång).

EG-försäkran om överensstämmelse

Gäller endast inom EU

EG-försäkran om överensstämmelse inkluderar som bilaga A till denna bruksanvisning.

SÄKERHETSVARNINGAR

Säkerhetsvarningar för sladdlös ryggdammsugare

⚠ VARNING: VIKTIGT! LÄS NOGGRANT igenom alla säkerhetsvarningar och anvisningar FÖRE ANVÄNDNING. Underlåtenhet att följa varningar och instruktioner kan leda till elstötar, brand och/eller allvarliga personskador.

1. Före användning bör du se till att denna dammsugare endast används av personer som har fått korrekta instruktioner om hur dammsugaren ska användas.
2. Innan användning ska användaren ges information, instruktioner och utbildning för användning av maskinen och av de ämnen som den ska användas för, inklusive säker metod för borttagning och kassering av det insamlade materialet.
3. Om skum eller vätska kommer ut ska maskinen stängas av omedelbart.
4. Rengör regelbundet enheten för vattenni-vågränsen och kontrollera den om det finns tecken på skada.
5. Säkerställ alltid att filter är korrekt installerade innan användning. Använd inte dammsugaren utan att filter är på plats. Byt genast ut ett skadat filter. Det rekommenderas att ha några i reserv då filter är förbrukningsvaror.
6. **UNDIK OAVSIKTIG START.** Se till att strömbrytaren är **AVSTÄNGD** när batteriet/batterierna sätts i.
7. Försök inte att samla upp brännbara material, fyrverkerier, tända cigaretter, het aska, heta metallspån och vassa material som rakblad, nålar, krossat glas eller liknande.
8. **ANVÄND ALDRIG DAMMSUGAREN I NÄRHETEN AV BENSIN, GAS, FÄRG, LIM ELLER ANDRA HÖGEXPLOSIVA ÄMNEN.** Strömbrytaren avger gnistor när den slås PÅ och AV. Det gör även motorcommutatorn under användning. En farlig explosion kan uppstå.
9. Sug aldrig upp giftiga, cancerframkallande, brännbara eller andra farliga material som arsenik, arsenik, barium, beryllium, bly, bekämpningsmedel eller annat hälsofarliga material.
10. Placera alltid dammsugaren på en horisontell platt yta så att den inte faller eller rör sig oavsiktligt.
11. Använd aldrig dammsugaren utomhus i regnet.
12. I Finland ska inte denna maskin användas utomhus i låg temperatur.
13. Använd inte dammsugaren nära värmekällor (spisar osv.).
14. Om utloppsluften återgår ut i rummet är det nödvändigt att ordna med tillräckligt snabbt luftombyte i rummet. Det är nödvändigt att kontrollera nationella regelverk.
15. Blockera inte suginlopp/utlopp/ventilationshål. Dessa ventiler kylar ner motorn. Var noggrann med att inte blockera dessa, då motorn annars bränns ut p.g.a. brist på ventilation.
16. Stå alltid stabilt och ha god balans hela tiden.
17. Slangen får inte vikas, ryckas i eller trampas på.
18. Stäng genast av dammsugaren om den suger dåligt eller något onormalt sker med den under användningen.
19. **TA BORT BATTERIET/BATTERIERNÄR.** När dammsugaren inte används, före service och vid byte av tillbehör.
20. Rengör och serva dammsugaren omedelbart efter varje användning för att hålla den i perfekt skick.
21. **UNDERHÅLL DAMMSUGAREN MED OMSORG.** Håll dammsugaren ren för bättre och säkrare användning. Följ anvisningarna för byte av tillbehör. Håll handtagen torra, rena och fria från olja och smuts.
22. **KONTROLLERA SKADADE DELAR.** Före fortsatt användning av dammsugaren ska ett skadat skydd eller annan del som är skadat noggrant kontrolleras för att avgöra om den kommer att fungera korrekt och utföra det arbete som den är avsedd för. Kontrollera inriktningen och fästet för rörliga delar, om det finns trasiga delar, monteringen eller andra förhållanden som kan påverka användningen av dammsugaren. Ett skydd eller annan del som är skadad ska repareras ordentligt eller bytas ut av ett auktoriserat servicecenter om inte något annat anges i denna bruksanvisning. Låt ett auktoriserat servicecenter byta ut trasiga strömbrytare. Använd inte dammsugaren om strömbrytaren inte sätter på eller stänger av den.
23. Vid service utförd av användaren ska maskinen monteras ner, rengöras och servas, så långt som är praktiskt rimligt, utan att orsaka risk för underhållspersonalen och andra.
24. Maskinen ska vara tekniskt inspekterad av tillverkaren, eller av en instruerad person, minst en gång per år, bestående av exempelvis kontroll av filter för skada, lufttätethet och korrekt funktion av kontrollmekanismen.
25. Vid service eller reparation ska alla förorenade objekt som inte kan rengöras ordentligt kasseras; dylika objekt ska kasseras i ogenomträngliga påsar i enlighet med aktuell förordning om kassering av avfall.
26. **RESERVDELAR.** Vid service ska endast identiska reservdelar användas.
27. **FÖRVARA DAMMSUGAREN SOM INTE ANVÄNDS.** Dammsugaren ska förvaras inomhus när den inte används.
28. Blöta filter och insidan av vätskebehållaren ska torkas innan förvaring.
29. Ta hand om din dammsugare. Hård hantering kan orsaka skada även på den mest robust byggda dammsugaren.
30. Försök inte att rengöra utsidan eller insidan med bensin, thinner eller rengörande kemikalier. Det kan orsaka sprickor och missfärgning.
31. Använd inte dammsugaren i ett slutet rum där lättantändliga, explosiva eller giftiga ångor avges från oljebaserad färg, thinner, bensin, malbehandlingsmedel osv., eller i områden där lättantändligt damm finns.
32. Använd inte dammsugaren eller annan maskin under påverkan av droger eller alkohol.
33. Som en grundläggande säkerhetsregel ska korgglasögon eller skyddsglasögon med sidoskydd användas.
34. Använd en dammask under dammig förhållanden.

35. Denna maskin är inte avsedd för användning av personer med nedsatta fysiska, sensoriska eller mentala förmågor, eller som inte har nog med erfarenhet eller kunskap.
36. Barn ska övervakas så att de inte leker med dammsugaren.
37. Hantera aldrig batterier eller dammsugare med blöta händer.
38. Var mycket försiktig vid rengöring av trappor.
39. Använd inte dammsugaren som sittplats eller arbetsbänk. Maskinen kan ramla omkull och orsaka personskada.

Användning och underhåll av batteri

1. Ladda endast med den batteriladdare som angetts av tillverkaren. En laddare som passar en viss typ av batterier kan skapa risk för brand när den används tillsammans med annat batteri.
2. Använd endast maskiner tillsammans med tillhörande batterier. Om andra batterier används kan risken för personskada och brand öka.
3. När batteriet inte används bör det hållas borta från andra metallföremål som till exempel gem, mynt, nycklar, spik, skruv eller andra små metallföremål som kan skapa anslutning från en terminal till en annan. Kortslutning av batteripolerna kan orsaka brännskador eller brand.
4. Under hårda förhållande kan det komma vätska ur batteriet. Undvik kontakt. Spola med vatten om kontakt ändå råkar uppstå. Om vätskan kommer i kontakt med ögonen bör läkare uppsökas. Vätska från batteriet kan orsaka irritation på huden eller ge brännskador.
5. Använd inte ett batteripaket eller maskin som är skadat eller ändrat. Skadade eller ändrade batterier kan uppföra sig opålitligt, vilket kan leda till brand, explosion eller skaderisk.
6. Utsätt inte batteripaket eller maskiner för brand eller höga temperaturer. Exponering för brand eller temperaturer över 130 °C kan leda till explosion.
7. Följ alla laddningsinstruktioner och ladda inte batteripaketet eller maskinen utanför det temperaturintervall som anges i instruktionerna. Felaktig laddning, eller vid temperaturer utanför det angivna intervallet, kan skada batteriet och öka risken för brand.

SPARA DESSA ANVISNINGAR.

⚠ VARNING: GLÖM INTE att också fortsättningsvis strikt följa säkerhetsanvisningarna för maskinen även efter att du blivit van att använda den. Vid **FELAKTIG HANTERING** av maskinen eller om inte säkerhetsanvisningarna i denna bruksanvisning följs kan följden bli allvarliga personskador.

Viktiga säkerhetsanvisningar för batterikassetten

1. Innan batterikassetten används ska alla instruktioner och varningsmärken på (1) batteriladdaren, (2) batteriet och (3) produkten läsas.
2. Montera inte isär eller mixtra med batterikassetten. Det kan leda till brand, överdriven värme eller explosion.
3. Om drifttiden blivit avsevärt kortare ska användningen avbrytas omedelbart. Det kan uppstå överhettning, brännskador och t o m en explosion.
4. Om du får elektrolyt i ögonen ska de sköljas med rent vatten och läkare uppsökas omedelbart. Det finns risk för att synen förloras.
5. Kortslut inte batterikassetten.
 - (1) Rör inte vid polerna med något strömförande material.
 - (2) Undvik att förvara batterikassetten tillsammans med andra metallobjekt som t.ex. spikar, mynt o.s.v.
 - (3) Skydda batteriet mot vatten och regn. En batterikortslutning kan orsaka ett stort strömflöde, överhettning, brand och maskinhaveri.
6. Förvara och använd inte verktyget och batterikassetten på platser där temperaturen kan nå eller överstiga 50 °C.
7. Bränn inte upp batterikassetten även om den är svårt skadad eller helt utsliten. Batterikassetten kan explodera i öppen eld.
8. Spika inte i, krossa, kasta, tappa eller slå batterikassetten mot hårda föremål. Dylåka handlingar kan leda till brand, överdriven värme eller explosion.
9. Använd inte ett skadat batteri.
10. De medföljande litiumjonbatterierna är föremål för kraven i gällande lagstiftning för farligt gods. För kommersiella transporter (av t.ex. tredje parter som speditorsfirmor) måste de särskilda transportkrav som anges på emballaget och etiketter iakttagas. För att förbereda den produkt som ska avsändas krävs att du konsulterar en expert på riskmaterial. Var också uppmärksam på att det i ditt land kan finnas ytterligare föreskrifter att följa. Tejpa över eller maskera blottade kontakter och packa batteriet på sådant sätt att det inte kan röra sig fritt i förpackningen.
11. När batterikassetten ska kasseras måste den tas bort från maskinen och kasseras på ett säkert sätt. Följ lokala föreskrifter beträffande avfallshantering av batteriet.
12. Använd endast batterierna med de produkter som specificerats av Makita. Att använda batterierna med ej godkända produkter kan leda till brand, överdriven värme, explosion eller utläckande elektrolyt.
13. Om maskinen inte används under en lång tid måste batteriet tas bort från maskinen.

14. Under och efter användning kan batterikassetten bli het vilket kan orsaka brännskador eller lättare brännskador. Var uppmärksam på hur du hanterar varma batterikassetter.
15. Vidrör inte verktygets kontakter direkt efter användning eftersom de kan bli heta och orsaka brännskador.
16. Låt inte flisor, damm eller smuts fastna i kontaktarna, i håll eller spår i batterikassetten. Det kan leda till att verktyget eller batterikassetten värms upp, fattar eld, går sönder eller inte fungerar som de ska, vilket kan orsaka brännskador eller personskadorna.
17. Såvida inte verktyget stöder arbeten i närheten av högspänningsledning får batterikassetten inte användas i närheten av en högspänningsledning. Det kan leda till att verktyget eller batterikassetten går sönder eller inte fungerar korrekt.
18. Förvara batteriet utom räckhåll för barn.

SPARA DESSA ANVISNINGAR.

⚠ FÖRSIKTIGT: Använda endast äkta Makita-batterier. Användning av oäkta Makita-batterier eller batterier som har manipulerats kan leda till person- och utrustningsskador eller till att batteriet fattar eld. Det upphäver också Makitas garanti för verktyget och laddaren.

Tips för att uppnå batteriets maximala livslängd

1. Ladda batterikassetten innan den är helt urladdad. Stanna alltid maskinen och ladda batterikassetten när du märker att maskinen blir svagare.
2. Ladda aldrig en fulladdad batterikassett. Överladdning förkortar batteriets livslängd.
3. Ladda batterikassetten vid en rumstemperatur på 10 °C - 40 °C. Låt en varm batterikassett svalna innan den laddas.
4. När batterikassetten inte används ska den tas bort från verktyget eller laddaren.
5. Ladda batterikassetten om du inte har använt den på länge (mer än sex månader).

Viktiga säkerhetsanvisningar för den trådlösa enheten

1. Öppna aldrig luckan till öppningen själv efter att den trådlösa enheten har installerats.
2. Montera inte isär eller manipulera den trådlösa enheten.
3. Förvara den trådlösa enheten utom räckhåll för barn. Om den råkar sväljas, sök omedelbart läkarhjälp.
4. Använd den trådlösa enheten endast ihop med Makita-verktyg.
5. Utsätt inte den trådlösa enheten för regn eller våta förhållanden.
6. Använd inte den trådlösa enheten på platser där temperaturen överstiger 50 °C.
7. Använd inte den trådlösa enheten på platser där medicinska instrument som pacemakers finns i närheten.
8. Använd inte den trådlösa enheten på platser där automatiska enheter finns i närheten. Om de är igång kan automatiska enheter utveckla funktionsstörningar eller fel.
9. Använd inte den trådlösa enheten på platser med hög temperatur eller där det kan skapas statisk elektricitet eller elektriskt brus.
10. Den trådlösa enheten kan alstra elektromagnetiska fält (EMF) men dessa är inte skadliga för användaren.
11. Den trådlösa enheten är ett noggrant instrument. Var försiktig så att du inte råkar tappa den trådlösa enheten eller utsätta den för stötar.
12. Undvik att vidröra den trådlösa enhetens terminal med bara händer eller metallmaterial.
13. Ta alltid bort batteriet på produkten när du installerar den trådlösa enheten på den.
14. När du öppnar skårans lock, undvik då det ställe där damm och vatten kan komma in i skåran. Håll alltid skårans inlopp rent.
15. Sätt alltid in den trådlösa enheten i rätt riktning.
16. Tryck inte för hårt på knappen för trådlös aktivering på den trådlösa enheten, och tryck inte på knappen med ett föremål med vass kant.
17. Stäng alltid skårans lock vid körning.
18. Ta inte bort den trådlösa enheten från skåran medan ström tillförs till verktyget. Att göra det kan orsaka funktionsfel på den trådlösa enheten.
19. Ta inte bort dekalen på den trådlösa enheten.
20. Sätt inte någon dekal på den trådlösa enheten.
21. Lämna inte den trådlösa enheten någonstans där det kan skapas statisk elektricitet eller elektriskt brus.
22. Lämna inte den trådlösa enheten någonstans där den utsätts för hög värme, t.ex. en bil i solen.
23. Lämna inte den trådlösa enheten på ett dammigt eller pulvrigt ställe eller någonstans där korrosiv gas kan bildas.
24. Plötsliga temperaturförändringar kan göra den trådlösa enheten daggbestänkt. Använd inte den trådlösa enheten förrän dagen helt har torkat bort.
25. När den trådlösa enheten rengörs, torka den då med en torr mjuk duk. Använd inte tvättbensin, thinner, konduktivt fett eller liknande.
26. När den trådlösa enheten ska tas i förvar, ha den då i det tillhörande fodralet eller en behållare med skydd mot statisk laddning.
27. Sätt inte in några andra enheter än den trådlösa Makita-enheten i skåran på verktyget.
28. Använd inte verktyget om skårans lock är skadat. Det kan komma in vatten, damm och smuts i skåran som orsakar funktionsfel.
29. Dra eller vrid inte skårans lock mer än nödvändigt. Sätt tillbaka locket om det lossnar från verktyget.
30. Ersätt skårans lock om det går förlorat eller skadas.

SPARA DESSA ANVISNINGAR.

FUNKTIONSBESKRIVNING

⚠ FÖRSIKTIGT: Se alltid till att apparaten är avstängd och batterikassetterna borttagna innan du justerar apparaten eller kontrollerar dess funktioner.

Montera eller demontera batterikassetten

⚠ FÖRSIKTIGT: Stäng alltid av maskinen innan du monterar eller tar bort batterikassetten.

⚠ FÖRSIKTIGT: Håll stadigt i dammsugaren och batterikassetten när du monterar eller tar bort batterikassetten. I annat fall kan det leda till att dammsugaren och batterikassetten glider ur dina händer och orsakar skada på dammsugaren och batterikassetten samt personskada.

⚠ FÖRSIKTIGT: Var försiktig så att du inte klämmer fingrarna när du öppnar/stänger batteriluckan. I annat fall kan personskada uppstå.

För att montera batterikassetten, lossa först spärren och öppna batterikåpan. Sätt sedan i batterikassetten.

► **Fig.1:** 1. Spärr 2. Batterikåpa

Rikta in tungan på batterikassetten mot spåret i hölet och skjut den på plats. Tryck in batterikassetten ordentligt tills den låser fast med ett klick. Lås därefter batterikåpan.

► **Fig.2:** 1. Batterikasset 2. Knapp

Ta bort batterikassetten genom att skjuta ner knappen på kassetten framsida samtidigt som du drar ut batterikassetten.

⚠ FÖRSIKTIGT: Installera alltid batterikassetten helt. Annars kan den oväntat lossna dammsugaren och orsaka skador på dig eller någon i närheten.


















⚠ FÖRSIKTIGT: Montera inte batterikassetten med våld. Om kassetten inte lätt glider på plats är den felinsatt.

OBS: Dammsugaren fungerar inte med endast en batterikasset.

Indikerar kvarvarande batterikapacitet

Tryck på kontrollknappen på batterikassetten för att se kvarvarande batterikapacitet. Indikatorlamporna lyser i ett par sekunder.

► **Fig.3:** 1. Indikatorlampor 2. Kontrollknapp

Indikatorlampor			Kvarvarande kapacitet
 Upplyst	 Av	 Blinkar	
			75% till 100%
			50% till 75%
			25% till 50%
			0% till 25%
			Ladda batteriet.
			Batteriet kan ha skadats.
			

OBS: Beroende på användningsförhållanden och den omgivande temperaturen kan indikationen skilja sig lätt från den faktiska batterikapaciteten.




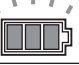
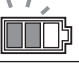
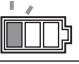
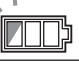

OBS: Den första (längst till vänster) indikatorlampan kommer att blinka när batteriskyddssystemet fungerar.

Batteriindikatorer på kontrollpanel

Återstående batterikapacitet kan när som helst utläsas på kontrollpanelen. Tryck på kontrollknappen för att se indikatorerna för vänster och höger batterinivå.

► **Fig.4:** 1. Vänster batteriindikator 2. Höger batteriindikator 3. Kontrollknapp

► **Fig.5**

Batteriindikatorstatus			Kvarvarande batterikapacitet
 På	 Av	 Blinkar	
			50 % till 100 %
			20 % till 50 %
			0 % till 20 %
			Ladda batteriet
			Batteri ej isatt

OBS: Batteriindikatorerna fungerar när de två batterierna är isatta.

OBS: Batteriindikatorerna aktiveras även när du börjar använda dammsugaren.

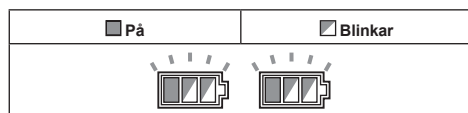
Skyddssystem för apparaten/ batteriet

Apparaten är utrustad med ett apparat-/batteriskyddssystem. Detta system bryter automatiskt strömmen till motorn för att förlänga apparatens och batteriets livslängd. Apparaten stannar automatiskt under användningen om apparaten eller batteriet hamnar i en av följande:

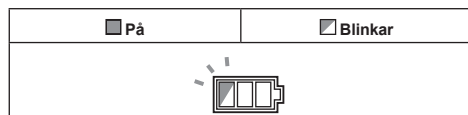
Överbelastningsskydd

Om apparaten/batteriet används på ett sätt som gör att det drar onormalt mycket ström kan apparaten stoppa automatiskt. När detta sker stänger du av apparaten och upphör med arbetet som gjorde att den överbelastades. Starta därefter upp apparaten igen.

Överhettningsskydd



När apparaten överhettas stannar den automatiskt och både den vänstra och den högra batteriindikatorn blinkar. Låt i sådana fall apparaten svalna och rengör filtren innan du slår på apparaten igen.



När batteriet är överhettat stannar den automatiskt och en av indikatorerna för överhettat batteri blinkar. I detta läge ska du låta batteriet svalna innan du startar upp apparaten igen.

Överurladdningsskydd

När batterikapaciteten är låg stannar apparaten automatiskt. Om apparaten inte fungerar i samband med växligen, plocka ur batterierna ur apparaten och ladda dem.

Skydd mot andra orsaker

Skyddssystemet är utvecklat mot andra orsaker som skulle kunna skada apparaten och tillåter apparaten att stanna automatiskt. Ta följande steg för att åtgärda felen när apparaten har stannat temporärt eller stannat helt.

1. Stäng av apparaten och starta sedan upp den igen.
2. Laddning av batteriet/batterierna och ersätt dem med laddade batteri(er).
3. Låt apparaten och batteri(erna) svalna.

Om ingen förbättring kan hittas genom att återställa skyddssystemet, kontakta ditt lokala Makita Service Center.

Avtryckarens funktion

Starta dammsugaren

1. Sätt standby-knappen i position "I" (PÅ) eller "AUTO" (PÅ) för att ha dammsugaren redo i standby-läge.
2. Tryck in strömbrytaren.
Tryck på strömbrytaren för att växla tillbaka till standby-läge.

Stäng av dammsugaren

Utför ett av följande steg.

- Tryck på strömbrytaren för att växla tillbaka dammsugaren till standby-läge.
- Vrid standby-knappen till position "O" (AV).

Justera sugstyrka

Sugkraften kan justeras efter arbetsbehov.

- Vrid justeringsratten för sugstyrka åt vänster för att sänka sugstyrkan.
- Vrid justeringsratten för sugstyrka åt höger för att öka sugstyrkan.

Val av slangdiameter

Vrid ratten för val av slangdiameter till den slangdiameter du kommer att använda.

OBS: Vrid inte ratten till mellanrummen mellan siffrorna. Vrid alltid ratten enligt slangdiametern.

- **Fig. 6:** 1. Stand-by-omkopplare 2. Justeringsratt för sugstyrka 3. Ratt för val av slangdiameter 4. Strömbrytare

OBSERVERA: Ställ alltid in standby-omkopplaren på "O"-sidan när dammsugaren inte ska användas under en längre tid. Dammsugaren förbrukar ström i standby-läget.

Varningspip

Det finns två typer av pipljud. Det ena är korta pip och det andra är kontinuerliga pipljud.

- När hastigheten på luftflödet sjunker under 20 m/s avger dammsugaren korta varningspipljud av säkerhetsskäl. När de ljuder ska du kontrollera ratten för val av slangdiameter eller om sugkraften inte är för låg. Om pipljudet fortsätter att ljuda ska du utföra underhåll eller kontakta ditt lokala servicecenter.
- När behållaren är fylld med vätska avger dammsugaren kontinuerliga varningspipljud och stannar automatiskt. Stäng av dammsugaren och töm tanken när den har stannat.

Auto-sugning stoppar under våt sugning

⚠ VARNING: Samla inte upp skum eller tvålvätska. Det kan göra att skum tränger ut ur luftutloppet. Fortsatt användning under sådana förhållanden kan orsaka en elektrisk stöt och att dammsugaren går sönder.

Rengöringen har en anordning som förhindrar att vatten tränger in i motorn när den samlar upp mer än en viss mängd vatten. När tanken är fylld med vätska avger dammsugaren kontinuerliga varningspipljud och stannar automatiskt. Stäng av dammsugaren och töm tanken när den har stannat.

Filterrengöringssystem

Apparaten har ett filterrengöringssystem. När apparaten används dammar filterrengöringssystemet av filtren automatiskt för att förhindra att sugkraften minskar på grund av igensatta filter.

Om apparaten suger upp stora mängder damm på en gång kan sugkraften minska. I sådana fall rekommenderas att filtren rengörs manuellt.

1. Stäng av apparaten.
2. Ställ in sugkraften till maximalt och stäng sedan sugslangens öppning med handflatan.
3. Slå på apparaten och kör den i cirka 15 med sugslangens öppning stängd.

► **Fig.7:** 1. Sugslangens öppning

OBS: Luftvolymen kan variera när filterrengöringssystemet är aktiverat men det är inte ett fel.

Vattenavlopp

När tanken är fylld med vätska ska du stänga av dammsugaren och öppna locket till vattenavloppet för att tömma tanken.

► **Fig.8:** 1. Lock till vattenavlopp

Lock

Locket medföljer apparaten. Montering av locket på slanganslutningsporten förhindrar att damm kommer ut från dammsugaren.

► **Fig.9:** 1. Lock

Låsa och låsa upp hjul

De främre hjulen kan låsas med stoppanordningar för att hjälpa till att hålla dammsugaren still. Sänk ner spärrarmen för hand för att låsa fast bakhjulet och för den uppåt för att låsa upp.

► **Fig.10:** 1. Hjul 2. Spärrarm 3. Läge FREE 4. Läge LOCK

OBS: Kontrollera så att hjulen inte är låsta när du flyttar dammsugaren. Skulle dammsugaren flyttas med hjulen i låst position skulle det kunna skada hjulen.

Bärhandtag

⚠FÖRSIKTIGT: Lyft och bär försiktigt apparaten. Om du inte gör det kan det leda till personskador eller skada på apparaten.

När du bär dammsugaren ska du hålla i handtaget som sitter på huvudenheten. Handtaget går att fälla in i huvudenheten när det inte används.

► **Fig.11**

Det är svårt att själv bära dammsugaren, låt två personer bära den enligt figuren.

► **Fig.12**

► **Fig.13**

MONTERING

⚠WARNING: Denna enhet kan innehålla farligt damm. Använd alltid ett P2-andningsskydd vid byte av filterelement, dammpåse eller vid underhåll.

⚠FÖRSIKTIGT: Se alltid till att apparaten är avstängd och batterikassetterna borttagna innan du utför något arbete på apparaten.

Montera och kassera filterpåsen

⚠WARNING: Använd alltid ett P2-andningsskydd.

⚠WARNING: Innan du använder en filterpåse, se till att den används tillsammans med filternheten. Om den inte används tillsammans med filternheten kan det orsaka onormalt buller och värme vilket kan leda till brand.

⚠WARNING: Se alltid till att använda filterpåsen när dammsugaren används för dammclass M.

OBSERVERA: Samla aldrig upp vatten eller andra vätskor när en filterpåse används. Om sådana samlas upp kan filterpåsen gå sönder.

1. Frigör låskrokarna och lyft av huvudenheten från tanken.
► **Fig.14:** 1. Låskrok
2. Vik ut en filterpåse.
3. Rikta in öppningen till filterpåsen med dammintaget på tanken.
4. För in filterpåsens kartong på verktyget så att den är placerad i änden bortom spärrutsprånget.
► **Fig.15:** 1. Filterpåse 2. Kartongöppning 3. Hållare för filterpåse 4. Dammintag 5. Kant

Kassera filterpåsen genom att dra i kanten på filterpåsens mynning så att mynningen stängs av papperet.

Montera polyetylenpåse

Valfria tillbehör

Lägg en polyetylenpåse över tanken och låt ena sidan av påsens överkant vid den öppna änden glida emellan hållarplattan och tankens framvägg. Sprid sedan ut de övre kanterna på påsen utåt över de övre kanterna på tanken.

Polyetylenpåsen kan användas med en filterpåse.

► **Fig.16:** 1. Hållarplatta 2. Tankens framvägg 3. Polyetylenpåse

OBS: En polyetylenpåse som finns på marknaden kan användas. Vi rekommenderar en med en tjocklek över 0,04 mm och en omkrets över 2 000 mm.

OBS: Fyll inte påsen för mycket eftersom för mycket damm lätt sliter sönder polyetylenpåsen. Kassering av den tunga påsen kan vara en tungt arbete för en person.

Tömma tank med polyetylenpåse

⚠ VARNING: Se alltid till att dammsugaren är avstängd och att batterikassetterna är urtagna innan tanken töms. I annat fall kan det orsaka en elektrisk stöt och allvarlig personskada.

OBSERVERA: Töm tanken åtminstone en gång per dag (fast detta beror ju på den uppsugna mängden i tanken). Annars kan sugkraften minska och motorn kan gå sönder.

OBSERVERA: Håll inte i låskrokarna när du tömmer tanken. Låskrokarna kan gå sönder om du håller i dem.

1. Frigör låskrokarna och lyft av huvudenheten från tanken.
2. Ta ur polyetylenpåsen ur tanken och stäng öppningen manuellt.

► **Fig.17:** 1. Polyetylenpåse 2. Tank

OBS: Ta försiktigt ut polyetylenpåsen ur tanken för att undvika att den får skrapor eller förstörs av kanterna i tanken.

OBS: Töm polyetylenpåsen innan den blir full. För mycket damm i tanken kan leda till att polyetylenpåsen går sönder.

Montera slang

OBSERVERA: Böj aldrig slangen med tvång eller trampa på den. Förflytta aldrig dammsugaren genom att dra i slangen. Att tvinga, trampa på eller att dra i slangen kan ta sönder eller deformera den.

OBSERVERA: Vid uppsugning av stora bitar såsom hyvelspån, betongdamm eller liknande ska slangen med en innerdiameter på 38 mm (valfritt tillbehör) användas. Att använda slangen med en innerdiameter på 28 mm (valfritt tillbehör) kan blockera och skada den.

OBSERVERA: Sätt alltid på locket på monteringsporten när du tar bort slangen från dammsugaren.

Anslutning till dammsugaren

Ta bort locket från monteringsporten. Locket kan förvaras på baksidan av dammsugaren när slangen är ansluten till dammsugaren.

► **Fig.18:** 1. Locket

För in slangändan i dammsugarens dammintag (slangintag) och vrid sedan medurs tills den fäster i rätt läge.

► **Fig.19:** 1. Slang 2. Dammintag (slangintag)

Anslutningar till dina arbetsverktyg (landsspecifikt)

Genom att ansluta dammsugaren till tillgängliga arbetsverktyg som är kompatibla med dammsugaren så fungerar den som en dammsugare för dina elverktyg.

Välj en av de främre kopplingarna eller anslutningsdelarna (valfria tillbehör) som är mest lämplig för din typ av verktyg. Placera kopplingarna eller anslutningsdel mellan den främre delen av rengöringsslangen och dammuppsugningsporten på ditt verktyg.

► **Fig.20:** 1. Främre kopplingar eller anslutningsdel 2. Rengöringslang 3. Elverktyg 4. Dammsugare

Montering eller demontering dammsugartillsatser

⚠ FÖRSIKTIGT: När ett tillbehör har installerats ska du kontrollera att det sitter säkert. Om tillbehöret är ofullständigt monterat kan det lossna och orsaka personskada.

När tillbehöret utan låsfunktion används

Valfria tillbehör

För in en tillsats i dammsugarens sugöppning genom att trycka och skruva den på plats för hand. Vrid och drag tillsatsen för hand ur sugöppningen efter användning.

► **Fig.21**

Montera MAKPAC

Valfria tillbehör

⚠ FÖRSIKTIGT: Stå eller sitt inte ovanpå apparaten. Den kan bli instabil och falla ner.

⚠ FÖRSIKTIGT: Var försiktig med driften när du installerar MAKPAC. Annars kan det kan leda till personskada eller skador på apparaten.

⚠ FÖRSIKTIGT: Lyft inte apparaten med handtaget på MAKPAC när MAKPAC är installerat på apparaten.

⚠ FÖRSIKTIGT: Tryck inte på MAKPAC utan på kroppen på apparaten när du flyttar en apparat som har MAKPAC installerat. Om du trycker på MAKPAC kan spjärrarna gå sönder och MAKPAC falla ner vilket kan leda till personskada.

Anslutningsbara och staplingsbara MAKPAC-förvaringsväskor kan installeras ovanpå dammsugaren. Väskorna finns i olika storlekar och stilar för att passa dina behov.

1. Öppna spjärrarna på ovensidan av dammsugaren.
► **Fig.22:** 1. Spjärr

2. Montera MAKPAC-väska på ovensidan av dammsugaren och fäst den med spjärrarna.

► **Fig.23:** 1. Spjärr 2. MAKPAC

Maximal höjd och vikt för installation av MAKPAC är 315 mm respektive 20 kg.

► **Fig.24**

ANVÄNDNING

⚠ VARNING: Använd alltid ett P2-andningsskydd.

⚠ FÖRSIKTIGT: Stäng av verktyget omedelbart om skum eller vätska kommer ut från det. Fortsatt användning i detta tillstånd kan orsaka en elektrisk stöt och att dammsugaren går sönder.

FUNKTION FÖR TRÅDLÖS AKTIVERING

Valfria tillbehör

Vad du kan göra med funktionen för trådlös aktivering

Funktionen för trådlös aktivering möjliggör en ren och bekväm körning. Genom att ansluta en maskin som stöds till dammsugaren, kan du göra så att dammsugaren automatiskt körs samtidigt som du använder maskinens knappfunktion.

► Fig.25

OBSERVERA: Se till att läsa maskinens bruksanvisning när du använder dammsugaren med trådlös aktiveringsfunktion.

OBSERVERA: Montera inte isär eller manipulera den trådlösa enheten.

OBSERVERA: För att hindra att damm kommer in i skåran på den trådlösa enheten ska du alltid stänga locket ordentligt under användning och förvaring.

OBSERVERA: Tryck inte för hårt på knappen för trådlös aktivering och/eller tryck inte på knappen med ett föremål med vass kant.

OBS: Trådlös aktivering erfordrar Makita-maskiner utrustade med trådlös enhet.

OBS: Innan den trådlösa aktiveringsfunktionen används för första gången krävs att maskinen registreras. När registreringen är avslutad för maskinen krävs ingen ny registrering, såvida inte den avbröts.

OBS: Innan registrering måste den trådlösa enheten vara ordentligt monterad.

OBS: En trådlös enhet kan registrera upp till 10 länkar med andra trådlösa enheter. Om fler än 10 andra trådlösa enheter registreras till en trådlös enhet, blir den som registrerades tidigast automatiskt upphävt.

OBS: Placeringen av den trådlösa aktiveringsknappen varierar med maskin.

OBS: Dammsugaren startar även när man trycker på strömbrytaren när stand-by-knappen är inställd på "AUTO".

Men strömbrytaren fungerar inte när den trådlösa aktiveringsfunktionen används.

Installera den trådlösa enheten

⚠ VARNING: Öppna endast luckan när du installerar den trådlösa enheten för första gången. Öppna aldrig luckan efter att du har installerat den.

⚠ FÖRSIKTIGT: Placera dammsugaren på en platt och stabil yta när den trådlösa enheten installeras.

OBSERVERA: Rensa bort damm och smuts från dammsugaren innan den trådlösa enheten installeras. Damm eller smuts kan orsaka funktionsfel om det kommer in i skåran på den trådlösa enheten.

OBSERVERA: För att förebygga funktionsfel till följd av statisk laddning vidrör du ett statiskt urladdande material, t.ex. en metalldel, innan du plockar upp den trådlösa enheten.

OBSERVERA: Se alltid till när du installerar den trådlösa enheten att den är insatt i rätt riktning och att locket är helt stängt.

1. Lossa skruven för att öppna luckan på dammsugaren enligt figuren.

► Fig.26: 1. Lucka 2. Skruv

2. För in den trådlösa enheten i urtaget.

När du sätter in den trådlösa enheten, passa då in de utskjutande delarna med de insänkta delarna i skåran.

► Fig.27: 1. Trådlös enhet 2. Utskjutande del 3. Lucka 4. Insänkt del

3. Dra åt skruven ordentligt för att stänga luckan.

Maskinregistrering för dammsugaren

OBS: För maskinregistreringen krävs en Makita-maskin som har stöd för den trådlösa aktiveringsfunktionen.

OBS: Avsluta installationen av den trådlösa enheten till maskinen innan du inleder maskinregistreringen.

OBS: Använd inte maskinens avtryckare under maskinregistreringen och aktivera inte strömbrytaren på dammsugaren.

OBS: Se även maskinens bruksanvisning.

Om du vill aktivera dammsugaren tillsammans med maskinens knappfunktion, ska du slutföra maskinregistreringen i förväg.

1. Installera batterierna i dammsugaren resp. verktyget.

2. Installera batterierna i dammsugaren och maskinen.

3. Sätt dammsugarens stand-by-omkopplare på "AUTO".

► Fig.28: 1. Stand-by-omkopplare

4. Tryck på knappen för trådlös aktivering på dammsugaren i 3 sekunder tills lampan för trådlös aktivering blinkar grönt. Tryck sedan på knappen för trådlös aktivering på maskinen på samma sätt.

► Fig.29: 1. Knapp för trådlös aktivering 2. Lampa för trådlös aktivering

Om dammsugaren och maskinen har kopplats ihop ordentligt, kommer lamporna för trådlös aktivering att lysa grönt i 2 sekunder och börja blinka i blått.

OBS: Lamporna för trådlös aktivering slutar blinka grönt efter att 20 sekunder har gått. Tryck på knappen för trådlös aktivering på maskinen när lampan för trådlös aktivering på dammsugaren blinkar. Om lampan för trådlös aktivering inte blinkar grönt, trycker du kort på knappen för trådlös aktivering och håller in den igen.

OBS: När du utför två eller flera maskinregistreringar för en dammsugare avslutar du maskinregistreringarna en och en.

Starta funktionen för trådlös aktivering

OBS: Avsluta maskinregistreringen för dammsugaren för den trådlösa aktiveringen.

OBS: Placera alltid dammsugaren så att du kan se status för lampan för den trådlösa aktiveringen.

OBS: Se även maskinens bruksanvisning.

Efter att en maskin registrerats till dammsugaren kommer den att köras automatiskt tillsammans med maskinens knappfunktion.

1. Installera batterierna i dammsugaren resp. verktyget.

2. Installera batterierna i dammsugaren och maskinen.

3. Anslut dammsugarslangens till maskinen.

► **Fig.30**

4. Sätt dammsugarens stand-by-omkopplare på "AUTO".

► **Fig.31:** 1. Stand-by-omkopplare

5. Tryck kort på knappen för trådlös aktivering på maskinen. Lampan för trådlös aktivering blinkar blått.

► **Fig.32:** 1. Knapp för trådlös aktivering 2. Lampa för trådlös aktivering

6. Slå på verktyget. Kontrollera att dammsugaren är igång när verktyget används.

⚠ FÖRSIKTIGT: Kontrollera alltid om den trådlösa aktiveringsfunktionen fungerar innan du börjar arbeta med verktyget.

För att stoppa den trådlösa aktiveringen, tryck på knappen för den trådlösa aktiveringen på maskinen, eller ställ dammsugarens stand-by-omkopplare på läge "I" eller "O".

OBS: Lampan för trådlös aktivering på maskinen slutar blinka blått när ingen användning har skett på 2 timmar. Sätt i så fall standby-omkopplaren på dammsugaren på "AUTO" och tryck igen på knappen för trådlös aktivering på maskinen.

OBS: Dammsugaren startar/stannar med en fördröjning. Det blir en tidsfördröjning när dammsugaren känner av en knappfunktion från maskinen.

OBS: Sändningsavståndet till den trådlösa enheten kan variera beroende på plats och omständigheter i omgivningen.

OBS: När två eller flera maskiner är registrerade till en dammsugare, kan dammsugaren gå igång även om du inte slår på verktyget eftersom en annan användare använder funktionen för trådlös aktivering.

Upphäver maskinregistrering för dammsugaren

Utför följande rutin vid upphävande av maskinregistreringen för dammsugaren.

1. Installera batterierna i dammsugaren resp. verktyget.

2. Installera batterierna i dammsugaren och maskinen.

3. Sätt dammsugarens stand-by-omkopplare på "AUTO".

► **Fig.33:** 1. Stand-by-omkopplare

4. Tryck på knappen för trådlös aktivering på dammsugaren i 6 sekunder. Lampan för trådlös aktivering blinkar grönt och blir sedan röd. Tryck sedan på knappen för trådlös aktivering på maskinen på samma sätt.

► **Fig.34:** 1. Knapp för trådlös aktivering 2. Lampa för trådlös aktivering

Om upphävandet har utförts ordentligt, kommer lampan för trådlös aktivering att lysa rött i 2 sekunder och börja blinka i blått.

OBS: Lamporna för trådlös aktivering slutar blinka rött efter att 20 sekunder har gått. Tryck på knappen för trådlös aktivering på maskinen när lampan för trådlös aktivering på dammsugaren blinkar. Om lampan för trådlös aktivering inte blinkar rött, trycker du kort på knappen för trådlös aktivering och håller in den igen.

Radera alla maskinregistreringar

Du kan radera alla maskinregistreringar från dammsugaren på följande sätt.

► **Fig.35:** 1. Stand-by-omkopplare 2. Knapp för trådlös aktivering 3. Lampa för trådlös aktivering

1. Installera den trådlösa enheten till dammsugaren.

2. Installera batterierna i dammsugaren.

3. Sätt stand-by-omkopplaren på "AUTO".

4. Håll knappen för trådlös aktivering nedtryckt i ca 6 sekunder till lampan för trådlös aktivering blinkar rött (ca två gånger per sekund).

5. Släpp fingret från knappen för den trådlösa aktiveringen när lampan för trådlös aktivering börjar blinka rött. Håll därefter knappen för trådlös aktivering nedtryckt igen ca 6 sekunder.











6. Släpp fingret från knappen för den trådlösa aktiveringen när lampan för trådlös aktivering börjar blinka rött snabbt (ca 5 gånger per sekund). När lampan för trådlös aktiveringen lyser rött och sedan slocknar har alla maskinregistreringar raderats.

OBS: Om lampan för trådlös aktivering inte blinkar rött trycker du kort på knappen för trådlös aktivering och provar igen.

Beskrivning av status för lampan för trådlös aktivering

- **Fig.36:** 1. Knapp för trådlös aktivering 2. Lampan för trådlös aktivering

Lampan för trådlös aktivering visar status för den trådlösa aktiveringsfunktionen. Se lampans status i tabellen nedan.

Status	Lampa för trådlös aktivering				Beskrivning
	Färg	 På	 Blinkar	Tidsåtgång (ca)	
Standby	Blå			Dammsugare: fortsättning Maskin: 2 timmar	Vänta tills maskinregistrering eller trådlös aktiveringsfunktion är tillgänglig. Lampan på dammsugaren blinkar när stand-by-omkopplaren ställs i läge AUTO. Lampan på maskinen blinkar när knappen för den trådlösa aktiveringen trycks in. Lampan på maskinen slocknar automatiskt när ingen användning har ägt rum på 2 timmar.
				När maskinen är igång.	Den trådlösa aktiveringen av dammsugaren är tillgänglig och maskinen är igång.
Maskinregistrering	Grön			20 sekunder	Redo för maskinregistrering. Letar efter maskin som ska registreras.
				2 sekunder	Maskinregistreringen har avslutats. Lampan för trådlös aktivering börjar blinka blått.
Avbryta/radera maskinregistrering	Röd	 (sakta: 2 gånger/sekund)		20 sekunder	Redo för att upphäva maskinregistreringen. Letar efter maskin som ska avbrytas.
		 (snabbt: 5 gånger/sekund)		När knappen för trådlös aktivering trycks ner.	Redo att radera alla maskinregistreringar.
				2 sekunder	Maskinregistreringen har avbrutits/raderats. Lampan för trådlös aktivering börjar blinka blått.
Övriga	Röd			3 sekunder	Ström tillförs till den trådlösa enheten och funktionen för trådlös aktivering startar.
	Av	-		-	Stand-by-omkopplaren inte satt på "AUTO".

Felsökning för funktionen för trådlös aktivering

Innan du ber om reparation ska du först utföra en egen kontroll. Om du hittar ett problem som inte finns förklarat i bruksanvisningen ska du inte försöka att ta isär maskinen. Fråga istället ett auktoriserad servicecenter för Makita, och använd alltid reservdelar från Makita för reparationer.

Feltillstånd	Trolig orsak (felsfunktion)	Åtgärd
Lampan för trådlös aktivering lyser/ blinkar inte.	Den trådlösa enheten är inte installerad i dammsugaren och/eller verktyget. Den trådlösa enheten är felaktigt installerad i dammsugaren och/eller verktyget.	Installera den trådlösa enheten korrekt.
	Knappen för trådlös aktivering på maskinen har inte tryckts.	Tryck kort på knappen för trådlös aktivering på maskinen.
	Stand-by-omkopplaren på dammsugaren är inte satt på "AUTO".	Sätt dammsugarens stand-by-omkopplare på "AUTO".
	Ingen strömtillförsel	Koppla in ström till maskinen och dammsugaren.
Kan inte avsluta maskinregistrering/upphäva maskinregistrering.	Den trådlösa enheten är inte installerad i dammsugaren och/eller verktyget. Den trådlösa enheten är felaktigt installerad i dammsugaren och/eller verktyget.	Installera den trådlösa enheten korrekt.
	Stand-by-omkopplaren på dammsugaren är inte satt på "AUTO".	Sätt dammsugarens stand-by-omkopplare på "AUTO".
	Ingen strömtillförsel	Koppla in ström till maskinen och dammsugaren.
	Felaktig funktion	Tryck kort på knappen för trådlös aktivering och utför rutinerna för maskinregistrering/-upphävande igen.
	Maskinen och dammsugaren är åtskilda från varandra (utanför sändningsområdet).	Se till att maskinen och dammsugaren hamnar närmare varandra. Det maximala sändningsavståndet är ca 10 m, men det kan variera beroende på omständigheterna.
	Innan verktygsregistreringen/-upphävandet avslutas: - verktygets omkopplare har slagits på, - strömknappen på dammsugaren har slagits på.	Tryck kort på knappen för trådlös aktivering och utför rutinerna för maskinregistrering/-upphävande igen.
	Maskinregistreringsrutinerna för maskinen eller dammsugaren har inte slutförts.	Utför maskinregistreringsrutinerna för både maskinen och dammsugaren på samma gång.
Dammsugaren är inte igång samtidigt som maskinens knappfunktion.	Den trådlösa enheten är inte installerad i dammsugaren och/eller verktyget. Den trådlösa enheten är felaktigt installerad i dammsugaren och/eller verktyget.	Installera den trådlösa enheten korrekt.
	Knappen för trådlös aktivering på maskinen har inte tryckts.	Tryck kort på knappen för trådlös aktivering och försäkra dig om att lampan för trådlös aktivering blinkar blått.
	Stand-by-omkopplaren på dammsugaren är inte satt på "AUTO".	Sätt dammsugarens stand-by-omkopplare på "AUTO".
	Fler än 10 maskiner är registrerade till dammsugaren.	Utför maskinregistreringen igen. Om fler än 10 maskiner är registrerade till dammsugaren blir den maskin som registrerades tidigast automatiskt upphävt.
	Dammsugaren har raderat alla maskinregistreringar.	Utför maskinregistreringen igen.
	Ingen strömtillförsel	Koppla in ström till maskinen och dammsugaren.
	Maskinen och dammsugaren är åtskilda från varandra (utanför sändningsområdet).	Se till att maskinen och dammsugaren hamnar närmare varandra. Det maximala sändningsavståndet är ca 10 m, men det kan variera beroende på omständigheterna.
	Radiostörningar från andra apparater som skapar högintensiva radiovågor.	Håll maskinen och dammsugaren borta från apparater som WiFi-enheter och mikrovågsugnar.

Feltillstånd	Trolig orsak (felsfunktion)	Åtgärd
Dammsugaren är igång när verktyget inte används.	Andra användare använder den trådlösa aktiveringen av dammsugaren med sina maskiner.	Stäng av de andra maskinernas knappar för trådlös aktivering eller upphäv maskinregistreringen för de andra maskinerna.
Kan inte radera alla maskinregistreringar på dammsugaren.	Tryck på knappen trådlös på maskinen.	Tryck på knappen trådlös på dammsugaren för att radera alla maskinregistreringar.
	Stand-by-omkopplaren på dammsugaren är inte satt på "AUTO".	Sätt dammsugarens stand-by-omkopplare på "AUTO".
	Knappen för trådlös aktivering trycks inte ner ordentligt.	Håll knappen för trådlös aktivering nedtryckt i mer än 6 sekunder och släpp den igen när lampan för trådlös aktivering blinkar rött. Håll knappen för trådlös aktivering nedtryckt i mer än 6 sekunder igen tills knappen för trådlös aktivering blinkar rött snabbt och släpp den igen.

UNDERHÅLL

⚠ VARNING: Använd alltid ett P2-andningsskydd när du utför underhåll.

⚠ FÖRSIKTIGT: Se alltid till att apparaten är avstängd och batterikassetterna borttagna innan inspektion eller underhåll utförs.

⚠ FÖRSIKTIGT: En teknisk inspektion, inklusive inspektion av filter, lufttätethet och styrutrustning, måste utföras minste en gång om året av en person för utbildning av detta.

⚠ FÖRSIKTIGT: Vid underhåll måste alla kontaminerade delar som inte kan rengöras tillfredsställande kastas bort. Sådana delar måste kasseras i ogenomträngliga påsar som överensstämmer enligt bestämmelserna i ditt land.

⚠ FÖRSIKTIGT: Efter användning i farligt område måste verktygets utsida dekontamineras genom att dammsugas och torkas av eller behandlas med tätningsmedel innan du tar ut den från det farliga området. Alla verktygets delar måste betraktas som kontaminerade när den tas ut från det farliga området och lämplig åtgärd vidtas för att förhindra att damm kommer ut.

⚠ FÖRSIKTIGT: Byt filter när filtren är igensatta med damm eller om det verkar som om dammsugarens prestanda har försämrats.

⚠ FÖRSIKTIGT: Kontrollera filtren regelbundet. Byt omedelbart ut filtret om det finns en reva i det.

OBSERVERA: Använd inte bensin, förtunningsmedel, alkohol eller liknande. Missfärgning, deformation eller sprickor kan uppstå.

För att upprätthålla produktens SÄKERHET och TILLFÖRLITLIGHET bör allt underhålls- och justeringsarbete utföras av ett auktoriserat Makita servicecenter och med reservdelar från Makita.

Ta bort filterenheten

⚠ FÖRSIKTIGT: Vänta cirka 5 minuter så att dammet i tanken lagt sig helt.

⚠ FÖRSIKTIGT: Var försiktig så att dammet inte kommer in i tankhöljet när du tar bort filterenheten.

Filterenheten sitter fast på huvudenheten. Den består av en topplatta, förfilter, dämpare och pulverfilter.

1. Frigör låskrokarna och lyft av huvudenheten från tanken.
2. Ta bort filterenheten från huvudenheten enligt figuren.

► Fig.37: 1. Spärr 2. Filterenhet

Ta bort pulverfiltret och förfiltret

Lyft upp knoppen och ta bort filtren från topplattan.

► Fig.38: 1. Topplatta 2. Filter 3. Knopp

För att förhindra att damm flyter i luften är det bäst att ta bort filter i polyetenpåsen.

Knyt polyetylenpåsen ordentligt när du bär filterenheten för att rengöra den.

► Fig.39: 1. Filterenhet 2. Polyetylenpåse

► Fig.40: 1. Topplatta 2. Filter 3. Polyetylenpåse

Rengöra pulverfilter, förfilter och dämpare

Rengör filtren och dämparen regelbundet. Igensatta filter och dämpare kan resultera i dålig sugprestanda.

Rengör regelbundet det ansamlade dammet från filter och dämpare.

Tvätta pulverfiltret, förfiltret och dämparen då och då i vatten, skölj och torka noggrant i skugga före användning. Tvätta dem aldrig i en tvättmaskin.

► Fig.41

OBS: Skrubba inte eller skrapa på dammfiltret, förfiltret eller stötdämparen med hårda föremål såsom en borste eller spatel.

OBS: Filtren slit ut med tiden. Det rekommenderas att ha filter i reserv.

Installera pulverfiltret och förfiltret

OBSERVERA: Pulverfiltret och förfiltret kan samla upp både torrt och vått damm. Se till att sensorerna för vattennivå fungerar korrekt för att förhindra att pulverfiltret går sönder.

Kroka fast kanterna på filterenheten på topplattan och sänk ner knoppen.

► Fig.42: 1. Kant 2. Knopp

OBSERVERA: Innan dammfiltret används ska du kontrollera att förfiltret och stötdämparen alltid används tillsammans. Det är inte tillåtet att endast montera dammfiltret.

Montera filtren

Montera filtren enligt figuren om de levereras separat.

► Fig.43: 1. Pulverfilter 2. Dämpare 3. Förfilter

Montera filterenheten

Kroka hålen på filterenheten till de U-formade delarna av det inre höljet efter att filtren har monterats på topplattan. Läs sedan spärren enligt figuren.

► Fig.44: 1. U-formad del 2. Hål 3. Spärr

Montera vattenfilter

Valfria tillbehör

OBSERVERA: Se till att sensorerna för vattennivå fungerar korrekt vid uppsamling av vått damm.

OBSERVERA: Använd inte förfiltret och dämparen när du använder vattenfiltret.

Vattenfiltret är mer lämpligt för att samla upp vått damm än pulverfiltret och förfiltret.

Sätt fast vattenfiltret på topplattan på samma sätt som pulverfiltret och förfiltret när du monterar vattenfiltret.

► Fig.45

OBS: Vi rekommenderar att du använder vattenfiltret för att samla upp stora mängder vatten upprepade gånger. Annars kan uppsugningsförmågan försämrans om pulverfiltret och förfiltret används.

Rengöra sensorerna för vattennivå

Sensorerna för vattennivå detekterar vätska när tanken fylls upp med vätska. Rengör sensorerna för vattennivå med en mjuk trasa då och då när du byter filter.

► Fig.46: 1. Sensor för vattennivå

Förvaring av tillbehör

Tillbehör och tillsatser som inte används, så som munstycken, rör och lock, kan förvaras hängande på kroken på baksidan av dammsugaren.

► Fig.47: 1. Tillbehör och tillsatser som inte används
2. Lock

Rör (med en valfri stoppanordning installerad) kan placeras i rörhållaren när du slutar att använda dammsugaren för ett ögonblick.

► Fig.48: 1. Stoppanordning (valfritt tillbehör)
2. Rörhållare

En slang kan viras i stora öglor och lagras runt dammsugarhuset eller handtaget. Koppla ihop dess båda ändar för att göra öglor och haka fast öglorna på handtaget. Alternativt, fortsätt att ha rotänden installerad i slanginloppet och häng öglorna på multi-kroken med de lösa ändarna ihopbundna.

► Fig.49

► Fig.50

VALFRIA TILLBEHÖR

⚠FÖRSIKTIGT: Följande tillbehör eller tillsatser rekommenderas för användning med den Makita-maskin som denna bruksanvisning avser. Om andra tillbehör eller tillsatser används kan det uppstå risk för personskador. Använd endast tillbehören eller tillsatserna för de syften de är avsedda för.

Kontakta ditt lokala Makita servicecenter om du behöver ytterligare information om dessa tillbehör.

- Slang
- Främre kopplingar (22, 24, 38)
- Rakt rör
- Hörmunstycke
- Rund borste
- Pulverfilter M, H (HEPA)
- Stötdämpare
- Förfilter
- Vattenfilter
- Munstycke
- Vinklat rör
- Polyetylenpåse
- Filterpåse
- Lock
- Makitas originalbatteri och -laddare
- Trådlös enhet
- MAKPAC

OBS: Några av tillbehören i listan kan vara inkluderade i maskinpaketet som standardtillbehör. De kan variera mellan olika länder.

ADVARSEL

- Denne maskinen skal ikke brukes av personer med reduserte fysiske, sensoriske eller mentale evner, eller personer som mangler erfaring og kunnskap.
- Små barn må være under oppsyn for å sikre at de ikke leker med støvsugeren.
- Typereferanse for batteriet finnes i kapittelet "SPESIFIKASJONER".
- Informasjon om hvordan batteriet settes i og tas ut finnes i avsnittet "Sette inn eller ta ut batteri".
- Når batteriet skal avhendes, tar du det ut av verktøyet og kaster det på et trygt sted. Følg lokale bestemmelser for avhending av batterier.
- Hvis verktøyet ikke skal brukes på en god stund, må batteriet tas ut av verktøyet.
- Ikke kortslutt batteriet.
- Nærmere detaljer om forholdsregler under brukervedlikehold finnes i kapittelet "VEDLIKEHOLD".

TEKNISKE DATA

Modell:		VC006GM
Maksimum luftvolum i enden av slangen	Med BL4050F, ø28 mm x3,5 m slange	2,0 m ³ /min
	Med BL4050F, ø38 mm x 2,5 m slange	3,7 m ³ /min
Maksimum luftvolum ved turbin (med BL4050F)		4,9 m ³ /min
Støvsug (med BL4050F)		18 kPa
Gjenvinnbar kapasitet	Støv	40 l
	Vann	30 l
Mål (L x B x H)		586 mm x 385 mm x 598 mm
Nominell spenning		DC 72 V - 80 V maks
Nettovekt		18,4 - 20,8 kg
Beskyttelsesgrad		IPX4

- På grunn av vårt kontinuerlige forsknings- og utviklingsprogram kan spesifikasjonene som oppgis i dette dokumentet endres uten varsel.
- Spesifikasjonene kan variere fra land til land.
- Vekten omfatter ikke tilbehør, men batteri(er). De letteste og tyngste vektkombinasjonene av apparatet og batteriet eller batteriene vises i tabellen.

Passende batteri og lader

Batteriinsats	BL4020 / BL4025 / BL4040* / BL4050F* / BL4080F* *: Anbefalt batteri
Lader	DC40RA / DC40RB / DC40RC

- Noen av batteriene og laderne som er opplistet ovenfor er kanskje ikke tilgjengelige, avhengig av hvor du bor.

⚠ADVARSEL: Bruk kun de batteriene og laderne som er opplistet ovenfor. Bruk av andre batterier og ladere kan føre til personskader og/eller brann.

Symboler

Nedenfor ser du symbolene som kan brukes for dette utstyret. Forviss deg om at du forstår hva de betyr, før du begynner å bruke maskinen.



Les bruksanvisningen.



Vær spesielt forsiktig og oppmerksom.



Advarsel! Støvsugeren kan inneholde farlig støv.



Du må aldri stå på støvsugeren.



Ikke sett noe som er tyngre enn 20 kg (44 lbs) på støvsugeren.



Støvklasse M (medium): for å skille støv med en grenseverdi for yrkeseksponering på 0,1 mg/m³ eller mer. Støvsugerne er i stand til å suge opp støvklasse L og M. Følg bestemmelsene i landet ditt når det gjelder støv og helse og sikkerhet på arbeidsplassen.



Kun for EU-land
På grunn av forekomst av farlige komponenter i utstyret, kan avfall fra elektrisk og elektronisk utstyr, akkumulatører og batterier ha en negativ innvirkning på miljøet og menneskers helse. Ikke kast elektriske og elektroniske apparater eller batterier sammen med husholdningsavfall!
I samsvar med det europeiske direktivet om avfall fra elektrisk og elektronisk utstyr og om akkumulatører og batterier samt akkumulatører og batterier som skal kastes, samt deres tilpasning til nasjonal lovgivning, skal brukt elektrisk utstyr samt brukte batterier og akkumulatører samles inn separat og leveres til et eget innsamlingssted for kommunalt avfall, som driver virksomhet i samsvar med miljøvernforordningene. Dette er angitt av symbolet med den overkryssede avfallsbeholderen som er plassert på utstyret.

Riktig bruk

Dette apparatet er laget for å samle opp både vått og tørt støv. Apparatet er egnet for kommersiell bruk, f.eks. på hoteller, skoler, sykehus, fabrikker, butikker, kontorer og i utleievirksomhet.

Støy

Typisk A-vektet lydtryknivå er bestemt i henhold til EN60335-2-69:

Lydtryknivå (L_{pA}): 70 dB (A) eller mindre
Usikkerhet (K): 2,5 dB (A)

Støynivået under arbeid kan overskride 80 dB (A).

MERK: Den/de oppgitte verdien(e) for genererte vibrasjoner har blitt målt i henhold til standard testmetoder, og kan bli brukt til å sammenligne ett verktøy med et annet.

MERK: Den/de angitte verdien(e) for de genererte vibrasjonene kan også brukes til en foreløpig vurdering av eksponeringen.

⚠ADVARSEL: Bruk hørselsvern.

⚠ADVARSEL: De genererte vibrasjonene ved faktisk bruk av elektroverktøyet kan avvike fra den/de angitte vibrasjonsverdien(e), avhengig av hvordan verktøyet brukes.

⚠ADVARSEL: Sørg for å identifisere vernetiltak for å beskytte operatøren, som er basert på et estimat av eksponeringen under de faktiske bruksforholdene (idet det tas hensyn til alle deler av driftssyklusen, dvs. hvor lenge verktøyet er slått av, hvor lenge det går på tomgang og hvor lenge startbryteren faktisk holdes trykket).

Vibrasjoner

Den totale vibrasjonsverdien (triaksial vektorsum) bestemt i henhold EN60335-2-69:

Genererte vibrasjoner ($a_{h,M}$): 2,5 m/s² eller mindre
Usikkerhet (K): 1,5 m/s²

MERK: Den/de oppgitte verdien(e) for totalt genererte vibrasjoner har blitt målt i henhold til standard testmetoder, og kan bli brukt til å sammenligne ett verktøy med et annet.

MERK: Den/de angitte verdien(e) for totalt genererte vibrasjoner kan også brukes til en foreløpig vurdering av eksponeringen.

⚠ADVARSEL: De genererte vibrasjonene ved faktisk bruk av elektroverktøyet kan avvike fra den/de angitte vibrasjonsverdien(e), avhengig av hvordan verktøyet brukes og spesielt i forhold til arbeidsstykket som blir behandlet.

⚠ADVARSEL: Sørg for å identifisere vernetiltak for å beskytte operatøren, som er basert på et estimat av eksponeringen under de faktiske bruksforholdene (idet det tas hensyn til alle deler av driftssyklusen, dvs. hvor lenge verktøyet er slått av, hvor lenge det går på tomgang og hvor lenge startbryteren faktisk holdes trykket).

EFs samsvarserklæring

Gjelder kun for land i Europa

EFs samsvarserklæring er lagt til som vedlegg A i denne bruksanvisningen.

SIKKERHETSADVARSEL

Sikkerhetsadvarsler for trådløs støvsuger

⚠ADVARSEL: VIKTIG. LES NØYE alle sikkerhetsadvarsler og instruksjoner FØR BRUK. Hvis du ikke følger alle advarslene og instruksjonene som er oppført nedenfor, kan det føre til elektriske støt, brann og/eller alvorlige helseskader.

1. Støvsugeren skal kun benyttes av personer som har fått tilstrekkelig opplæring i hvordan den skal brukes.
2. Før bruk må operatørene bli gitt informasjon, instruksjon og opplæring i bruken av maskinen og stoffene den skal brukes på, inkludert en trygg måte for fjerning og kassering av materialet som er samlet inn.
3. Slå av umiddelbart hvis det kommer ut skum eller væske.
4. Innretningen for kontroll av vannivå må med jevne mellomrom rengjøres og undersøkes for tegn til skader.
5. Alltid kontroller at filterposen er satt inn riktig før bruk. Støvsugeren må ikke brukes uten at filtrene er på plass. Hvis filteret er skadet, må det skiftes ut umiddelbart. Det anbefales å ha noen i reserve fordi filtre er forbruksvarer.
6. **PASS PÅ AT STØVSUGEREN IKKE STARTES OPP UTILSIKTET.** Kontroller at bryteren er AV når du setter i batteriet/batteriene.
7. Ikke prøv å suge opp brennbare materialer, fyrverkeri, tente sigaretter, varm aske, varme metallspen eller skarpe materialer som barberblader, nåler, knust glass e.l.
8. **ALDRI BRUK STØVSUGEREN I NÆRHETEN AV BENSIN, GASS, MALING, LIM ELLER ANDRE HØYEKSPLOSIVE STOFFER.** Bryteren slår gnister når den slås PÅ og AV. Det samme gjør kommutatormotoren når den er i bruk. Dette kan forårsake farlig eksplosjon.
9. Bruk aldri støvsugeren på giftige, kreftfremkallende, brennbare eller andre farlige materialer som f.eks. asbest, arsen, barium, beryllium, bly, skadedyrsmidler eller andre helseskadelige stoffer.
10. Støvsugeren skal alltid plasseres på en horisontal, flat overflate for å unngå at den velter eller beveger seg utilsiktet.
11. Bruk aldri støvsugeren utendørs i regnvær.
12. Denne maskinen må ikke brukes utendørs ved lave temperaturer i Finland.
13. Ikke bruk støvsugeren nær varmekilder (for eksempel ovner).
14. Hvis utblåsningsluften sendes inn i rommet igjen, må det sørges for tilstrekkelig utveksling av luft i rommet. Ta hensyn til nasjonale forskrifter ved behov.
15. Ikke blokker innsugings-/utblåsningsåpningene/kjøleventilene. Disse åpningene er der for å kjøle motoren. Blokkering må unngås, hvis ikke vil motoren skjære seg på grunn av mangel på ventilasjon.
16. Pass alltid på at du holder balansen og har godt fotfeste.
17. Ikke brett, rykk i eller trakk på slangen.
18. Slå av støvsugeren umiddelbart hvis den oppfører seg unormalt (f.eks. hvis effekten er svak).
19. **TA UT BATTERIET/BATTERIENE.** Støvsugeren skal være frakoblet når den ikke er i bruk, før utføring av service-/reparasjonsarbeid og ved bytte av tilbehør.
20. For å holde støvsugeren i tipp topp stand er det viktig at du rengjør og vedlikeholder den etter hver bruk.
21. **VÆR NØYE MED VEDLIKEHOLDDET.** Rengjør støvsugeren for å holde den i sikker og god stand. Følg instruksjonene for bytte av tilbehør. Hold håndtakene tørre, rene og fri for olje og smørefett.
22. **KONTROLLER SKADDE DELER.** Før videre bruk av støvsugeren må du foreta en grundig sjekk av ev. skadde deler, som f.eks. vern eller lignende, for å fastslå om de vil fungere som de skal. Kontroller at bevegelige deler beveger seg riktig i forhold til hverandre, at bevegelige deler kan bevege seg fritt, om noen deler er brukket, om monteringen er som den skal, eller om andre forhold kan påvirke hvordan støvsugeren vil fungere. Vern eller andre skadede deler må repareres eller skiftes ut hos et autorisert servicesenter, med mindre noe annet er angitt i denne bruksanvisningen. Sørg for at defekte brytere skiftes ut hos et autorisert servicesenter. Ikke bruk støvsugeren hvis AV/PÅ-bryteren er defekt.
23. Når brukeren skal utføre service på maskinen, skal den demonteres, rengjøres og utføres service på – så sant det lar seg gjøre – uten å utgjøre en fare for vedlikeholdspersonalet og andre.
24. Maskinen bør få en teknisk inspeksjon hos produsenten eller en opplært person, minst en gang i året. Denne bør f.eks. bestå av inspeksjon av filtrene for å sjekke om de er skadet, om maskinen er lufttett og at styringsmekanismen virker som den skal.
25. Når det utføres service eller reparasjon, skal alle forensede gjenstander som ikke kan rengjøres tilfredsstillende kastes. Slike gjenstander må kastes i tette poser i henhold til alle gjeldende forskrifter for avhending av slikt avfall.
26. **RESERVEDELER.** Ved utføring av vedlikeholdsarbeid, skal det kun brukes identiske reservedeler.
27. **OPPBEVARING.** Støvsugeren oppbevares innendørs, når den ikke er i bruk.
28. Våte filtre og den innvendige delen av væskeholderen skal tørkes før oppbevaring.
29. Vær forsiktig når du håndterer støvsugeren. Hardhendt og uforsiktig håndtering kan forårsake skader på støvsugeren.
30. Ikke bruk bensin, tynningsmidler eller kjemiske rengjøringsmidler for å rengjøre støvsugeren innvendig eller utvendig. Dette kan forårsake sprekker og misfarging.
31. Ikke bruk støvsugeren i områder med brennbart støv, eller i lukkede rom hvor oljebasert maling, malingstynner, bensin, møllmidler eller lignende avgir brennbare, eksplosive eller giftig damp.
32. Ikke bruk denne støvsugeren eller andre maskiner hvis du er under påvirkning av alkohol, narkotiske stoffer eller sterke legemidler.
33. Alltid bruk vernebriller eller briller med sidebeskyttelse.

34. **Bruk støvmaske** hvis det er mye støv der du jobber.
35. Denne maskinen skal ikke brukes av personer med reduserte fysiske, sensoriske eller mentale evner, eller personer som mangler erfaring og kunnskap.
36. Små barn må være under oppsyn for å sikre at de ikke leker med støvsugeren.
37. Håndter aldri batteriet/batteriene og støvsugeren mens du er våt på hendene.
38. Vær svært forsiktig når du bruker støvsugeren i trapper.
39. Ikke bruk støvsugeren som en krakk eller arbeidsbenk. Den kan falle ned, noe som kan føre til personskade.

Bruk og vedlikehold av batteridrevne maskiner

1. **Batteriet må kun lades opp igjen med en lader spesifisert av produsenten.** En lader som passer til én batteritype, kan være brannfarlig når den brukes med en annen batteritype.
2. **Bruk elektroverktøy kun med spesifikt angitte batterier.** Hvis det brukes et hvilket som helst annet batteri, kan dette utgjøre en fare for helse-skader og brann.
3. **Når batteriet ikke er i bruk, må du holde verktøyet unna metallgjenstander som f.eks. binders, mynter, nøkler, spiker, skruer og andre små metallgjenstander som kan skape forbindelse mellom de to polene.** Hvis batteripolene kortsluttes, kan du få brannskader, eller det kan begynne å brenne.
4. **Hvis batteriet utsettes for hardhendt bruk, kan det lekke væske fra batteriet. Unngå kontakt med væsken.** Hvis du kommer i kontakt med batterivæsken, må du skylle med vann. Hvis du får batterivæske i øynene, må du i tillegg oppsøke lege. Væske som kommer ut av batteriet, kan forårsake irritasjon eller forbrenninger.
5. **Ikke bruk et batteri eller verktøy som er skadet eller endret på.** Batterier som er skadet eller endret på kan oppføre seg upålitelig og medføre brann, eksplosjon eller fare for personskader.
6. **Et batteri eller verktøy må ikke utsettes for brann eller for høy temperatur.** Brann eller en temperatur over 130 °C kan forårsake eksplosjon.
7. **Følg alle ladeinstruksjoner, og ikke lad batteriet eller verktøyet utenfor temperaturområdet som er angitt i instruksjonene.** Feil lading eller ved temperaturer utenfor det angitte området, kan skadet batteriet og øke faren for brann.

TA VARE PÅ DISSE INSTRUKSENE.

⚠ ADVARSEL: IKKE LA hensynet til hva som er "behagelig" eller det faktum at du kjenner produktet godt (etter mange gangers bruk) gjøre deg mindre oppmerksom på sikkerhetsreglene for bruken av det aktuelle produktet. Ved MISBRUK eller hvis ikke sikkerhetsreglene i denne bruksanvisningen følges, kan det oppstå alvorlig personskade.

Viktige sikkerhetsanvisninger for batteriinnsetts

1. **Før du begynner å bruke batteriet, må du lese alle anvisninger og forsiktighetsregler på (1) batteriladeren, (2) batteriet og (3) det produktet batteriet skal brukes i.**
2. **Ikke demonter eller tukle batteriet.** Det kan føre til brann, overoppheting eller eksplosjon.
3. **Hvis driftstiden er blitt vesentlig kortere, må du omgående slutte å bruke maskinen.** Hvis ikke kan resultatet bli overoppheting, mulige forbrenninger eller til og med en eksplosjon.
4. **Hvis du får elektrolytt i øynene, må du skylle dem med store mengder rennende vann og oppsøke lege med én gang.** Denne typen uhell kan føre til varig blindhet.
5. **Ikke kortslett batteriet:**
 - (1) **De kan være ekstremt varme og du kan brenne deg.**
 - (2) **Ikke lagre batteriet i samme beholder som andre metallgjenstander, som for eksempel spiker, mynter osv.**
 - (3) **Ikke la batteriet komme i kontakt med vann eller regn.**

En kortslutning av batteriet kan føre til et kraftig strømstøt, overoppheting, mulige forbrenninger og til og med til at batteriet går i stykker.
6. **Ikke oppbevar og bruk verktøyet og batteriet på steder hvor temperaturen kan komme opp i eller overskride 50 °C.**
7. **Ikke sett fyr på batteriet, ikke engang om det er sterkt skadet eller helt utslitt.** Batteriet kan eksplodere hvis det begynner å brenne.
8. **Du må ikke spikre, skjære, klemme, kaste eller miste batteriet, og heller ikke slå en hard gjenstand mot batteriet.** En slik oppførsel kan føre til brann, overoppheting eller eksplosjon.
9. **Ikke bruk batterier som er skadet.**
10. **Lithium-ion-batteriene som medfølger er gjenstand for krav om spesialavfall.** For kommersiell transport, f.eks. av tredjeparter eller speditorer, må spesielle krav om pakking og merking følges. For varen blir sendt, må du forhøre deg med en ekspert på farlig materiale. Ta også hensyn til muligheten for mer detaljerte nasjonale bestemmelser. Bruk teip eller maskeringsteip for å skjule åpne kontakter og pakk inn batteriet på en slik måte at den ikke kan bevege seg rundt i emballasjen.
11. **Når du kasserer batteriinnsettsen, må du ta den ut av verktøyet og avhende den på et sikkert sted.** Følg lokale bestemmelser for avhending av batterier.
12. **Bruk batteriene kun med produkter spesifisert av Makita.** Montere batteriene i produkter som ikke er konforme kan føre til brann, overheting eller elektrolyttlekkasje.
13. **Hvis verktøyet ikke skal brukes over en lengre periode, må batteriet tas ut av verktøyet.**
14. **Under og etter bruk kan batteriet bli varmt og før til brannskader.** Vær forsiktig med håndteringen av varme batterier.

15. Ikke berører terminalene på verktøyet rett etter bruk, da den kan bli varm og forårsake brannskader.
16. Ikke la spon, støv eller jord sette seg fast i terminalene, hullene og sporene i batteriet. Det kan føre til at batteriet eller verktøyet blir overopphetet, begynner å brenne, sprekker eller ikke fungerer som det skal, og forårsake brannskader eller personskade.
17. Med mindre verktøyet støtter bruk nær en høyspent strømlinje, skal ikke batteriet brukes nær en høyspent strømlinje. Det kan føre til en funksjonsfeil eller at verktøyet eller batteriet slutter å fungere.
18. Oppbevar batteriet utilgjengelig for barn.
9. Ikke bruk den trådløse enheten på steder med høye temperaturer eller der det kan genereres statisk elektrisitet eller elektrisk støv.
10. Den trådløse enheten kan skape elektromagnetiske felt (EMF), men de er ikke skadelige for brukeren.
11. Den trådløse enheten er presisjonsinstrument. Vær forsiktig så du ikke mister eller utsetter den trådløse enheten for slag.
12. Unngå å berøre den trådløse enhetens tilkoblingspunkt med ubeskyttede hender eller metallmaterialer.
13. Du må alltid ta batteriet ut av produktet når du skal installere den trådløse enheten.
14. Når du skal åpne sporets lokk, må du unngå steder der støv og vann kan trenge inn i sporet. Du må alltid sørge for at sporets innløp er rent.

TA VARE PÅ DISSE INSTRUKSENE.

⚠FORSIKTIG: Bruk kun originale Makita-batterier. Bruk av batterier som har endret seg, eller som ikke er originale Makita-batterier, kan føre til at batteriet sprekker og forårsaker brann, personskader og andre skader. Det vil også ugyldiggjøre garantien for Makita-verktøyet og -laderen.

Tips for å opprettholde maksimal batterilevetid

1. Lad batteriinnsetsen før den er helt utladet. Stopp alltid driften av verktøyet og lad batteriinnsetsen når du merker at effekten reduseres.
2. Lad aldri en batteriinnsets som er fulladet. Overopplading forkorter batteriets levetid.
3. Lad batteriet i romtemperatur ved 10 °C - 40 °C. Et varmt batteri må kjøles ned før lading.
4. Når batteriet ikke er bruk, skal det tas ut av verktøyet eller laderen.
5. Lad batteriet hvis det ikke har vært brukt på en lang stund (over seks måneder).

Viktige sikkerhetsanvisninger for trådløs enhet

1. Når den trådløse enheten er installert, må du aldri forsøke å åpne dekslet til sporet selv.
2. Du må ikke demontere eller tukle med den trådløse enheten.
3. Hold den trådløse enheten unna små barn. Hvis enheten ved et uheld svelges, skal lege kontaktes umiddelbart.
4. Den trådløse enheten skal kun brukes med Makita-verktøy.
5. Ikke utsett den trådløse enheten for regn eller fuktighet.
6. Ikke bruk den trådløse enheten på steder den temperaturen overskrider 50 °C.
7. Ikke bruk den trådløse enheten på steder der medisinsk utstyr, som pacemakere, er i nærheten.
8. Ikke bruk den trådløse enheten på steder der automatiserte enheter er i nærheten. Hvis automatisert enheter tas i bruk, kan det oppstå en funksjonssvikt eller feil.
21. Ikke etterlat den trådløse enheten på et sted der det kan genereres statisk elektrisitet eller elektrisk støv.
22. Ikke etterlat den trådløse enheten på et sted der den kan utsettes for mye varme, som i en bil som er parkert i solen.
23. Ikke etterlat den trådløse enheten på et sted med mye støv eller pulver, eller på et sted der det kan genereres korroderende gass.
24. En plutselig temperaturendring kan få den trådløse enheten til å dugges. Ikke bruk den trådløse enheten før duggen har tørket helt bort.
25. Når du rengjør den trådløse enheten, tørker du forsiktig av den med en tørr, myk klut. Ikke bruk bensin, tynner, ledende fett eller lignende.
26. Når den trådløse enheten skal lagres, oppbevares den i esken som følger med eller en beholder som ikke er statisk.
27. Ikke sett andre enheter med Makitas trådløse enhet inn i sporet på verktøyet.
28. Ikke bruk verktøyet hvis sporets lokk er skadet. Vann, støv om smuss som trenger inn i sporet kan føre til funksjonsfeil.
29. Ikke dra i og/eller vri sporets lokk mer enn nødvendig. Sett lokket tilbake på plass hvis det løsner fra verktøyet.
30. Erstatt sporets lokk hvis det går tapt eller blir skadet.

TA VARE PÅ DISSE INSTRUKSENE.

FUNKSJONSBEKRIVELSE

⚠️ FORSIKTIG: Forviss deg alltid om at apparatet er slått av og batteriinnsettene er tatt ut før du justerer apparatet eller kontrollerer funksjonaliteten.

Sette inn eller ta ut batteri

⚠️ FORSIKTIG: Slå alltid av verktøyet før du setter inn eller fjerner batteriet.

⚠️ FORSIKTIG: Hold godt rundt støvsugeren og batteriinnsettene når du setter inn eller tar ut batteriinnsettene. Hvis du ikke holder støvsugeren eller batteriinnsettene godt og mister dem, kan dette forårsake personskader eller skader på støvsugeren/batteriet.

⚠️ FORSIKTIG: Pass på at du ikke får fingrene i klem når du åpner eller lukker batteridekselet. Hvis ikke, kan det føre til personskader.

For å sette i batteriinnsettene, frigjør du først låsen, og deretter åpner du batteridekselet. Så setter du inn batteriinnsettene.

► **Fig. 1:** 1. Lås 2. Batterideksel

Plassere fjæren på batteriet på linje med sporet i huset, og skyv batteriet på plass. Skyv det helt inn til det går i inngrep med et lite klikk. Deretter låser du batteridekselet.

► **Fig. 2:** 1. Batteri 2. Knapp

For å ta ut batteriinnsettene må du skyve på knappen foran på batteriet og samtidig trekke batteriinnsettene ut.

⚠️ FORSIKTIG: Du må alltid sette batteriet helt inn. Hvis ikke, kan det komme til å falle ut av støvsugeren, noe som kan skade deg eller noen rundt deg.

⚠️ FORSIKTIG: Ikke bruk makt når du setter i batteriet. Hvis batteriet ikke glir lett inn, er det fordi det ikke settes inn på riktig måte.

MERK: Støvsugeren fungerer ikke med kun ett batteri.

Indikere gjenværende batterikapasitet

Trykk på sjekk-knappen på batteriet for vise gjenværende batterikapasitet. Indikatorlampene lyser i et par sekunder.

► **Fig. 3:** 1. Indikatorlamper 2. Kontrollknapp

Indikatorlamper			Gjenværende batterinivå
Tent	Av	Blinker	
■ ■ ■ ■			75 % til 100 %
■ ■ ■ □			50 % til 75 %
■ ■ □ □			25 % til 50 %
■ □ □ □			0 % til 25 %
▣ □ □ □			Lad batteriet.
■ ■ □ □			Batteriet kan ha en feil.
□ □ ■ ■			

MERK: Det angitte nivået kan avvike noe fra den faktiske kapasiteten alt etter bruksforholdene og den omgivende temperaturen.

MERK: Den første (helt til venstre) indikatorlampen vil blinke når batterivernsystemet fungerer.

Batteriindikatorer på betjeningspanelet

Den gjenværende batterikapasiteten kan leses av på betjeningspanelet når som helst. Trykk på kontrollknappen, og venstre og høyre indikatorer vil vise de tilhørende batterinivåene.

► **Fig. 4:** 1. Venstre batteriindikator 2. Høyre batteriindikator 3. Kontrollknapp

► **Fig. 5**

Batteriindikatorstatus			Gjenværende batterikapasitet
På	Av	Blinker	
■ ■ ■ ■			50 % til 100 %
■ ■ ■ □			20 % til 50 %
■ ■ □ □			0 % til 20 %
▣ □ □ □			Lad batteriet
			Batteriet er ikke satt inn

MERK: Batteriindikatoren virker når det er satt inn to batterier.

MERK: Batteriindikatorene aktiveres også når støvsugeren settes i gang.

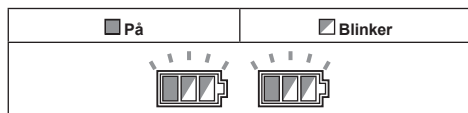
Vernesystem for apparat/batteri

Dette apparatet er utstyrt med et vernesystem for apparatet/batteriet. Dette systemet slår automatisk av strømmen til motoren for å forlenge apparatets og batteriets levetid. Apparatet stopper automatisk under bruk hvis apparatet eller batteriet utsettes for en av følgende tilstander:

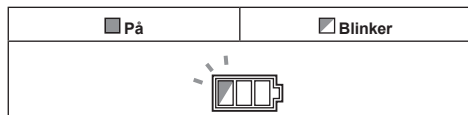
Overlastsikring

Når apparatet/batteriet brukes på en måte som gjør at det bruker unormalt mye strøm, vil apparatet stanse automatisk. I denne situasjonen må du skru av apparatet og stanse bruken som forårsaker apparatet å bli overopphetet. Slå deretter apparatet på for å starte det igjen.

Overopphetingsvern



Hvis apparatet overopphetes, stopper det automatisk, og både venstre og høyre batteriindikator blinker. I denne situasjonen må du rense filterne og la apparatet kjøle seg ned før du slår apparatet på igjen.



Når batteriet blir overopphetet, stopper apparatet automatisk og en av lampene for overoppheting av batteri blinker. I denne situasjonen må du la batteriet kjøle seg ned før du slår på apparatet igjen.

Overutladningsvern

Når batterikapasiteten blir lav, stanser apparatet automatisk. Hvis apparatet ikke går selv om bryteren aktiveres, må du ta batteriene ut av apparatet og lade dem.

Vern mot andre årsaker

Vernesystemet er også laget for beskyttelse av andre systemer som kan skade apparatet og gjøre at apparatet stanser automatisk. Ta alle de følgende forholdsreglene for å fjerne årsakene til at apparatet har stanset midlertidig mens det er i drift.

1. Slå apparatet av, og så på for å starte det igjen.
2. Lad opp batteriet/ene eller skift det/dem ut med oppladde batteri(er).
3. La apparatet og batteriet/ene kjøle seg ned.

Hvis det ikke blir noen bedring ved å gjenopprette vernesystemet, ta kontakt med det lokale Makita servicesenteret.

Bryterfunksjon

Skru på støvsugeren

1. Skru standby-bryteren til "I" (PÅ) eller "AUTO" (PÅ)-posisjon for å gjøre støvsugeren klar i standby-modus.
2. Trykk på strømknappen.
For å skru tilbake til ventemodus, trykker du på strømknappen igjen.

Skru av støvsugeren

Utfør ett av de følgende trinnene.

- Trykk på strømknappen for å sette støvsugeren i standby-modus igjen.
- Skru ventebryteren til "O" (AV)-posisjon.

Justering av sugekraften

Sugeeffekten kan justeres etter behov.

- Drei justeringsknotten for sugekraft til venstre for å for å redusere innsugingskraften.
- Drei justeringsknotten for sugekraft til høyre for å øke innsugingskraften.

Slangediametervalg

Drei velgeren for slangediameteren til den slangediameteren du vil bruke.

MERK: Ikke drei velgeren til et sted mellom tallene. Du må alltid dreie velgeren avhengig av slangediameteren.

- **Fig.6:** 1. Ventebryter 2. Justeringsknott for sugekraft 3. Velger for slangediameter 4. Strømknapp

OBS: Sett alltid standby-bryteren på "O" når du ikke skal bruke støvsugeren på lenge. Støvsugeren bruker strøm mens den er i standby.

Varseltone

Det finnes to typer pipelyd. Den ene er korte varseltoner, den andre er kontinuerlige varseltoner.

- Når luftstrømmen faller under en hastighet på 20 m/s, avgir støvsugeren korte varseltoner av hensyn til sikkerheten. Når de høres, må du kontrollere slangediametervalgeren eller om sugekraften er for liten. Hvis pipingen fortsetter, må du utføre vedlikehold eller spørre det lokale servicesenteret ditt.
- Hvis tanken er full av væske, avgir støvsugeren kontinuerlige varseltoner og stopper automatisk. Etter at støvsugeren har stoppet, må du slå den av og tømme tanken.

Automatisk sugestopp under våt oppsuging

⚠ ADVARSEL: Ikke sug opp skum eller såpølsning. Det kan få skum til å komme ut av luftutløpet. Under slike forhold kan kontinuerlig bruk forårsake elektrisk støt og føre til at støvsugeren slutter å virke.

Støvsugeren har en mekanisme som forhindrer vann fra å oversvømme motoren hvis du suger opp mer enn en viss mengde vann. Når tanken er full av væske, avgir støvsugeren kontinuerlige varseltoner og stopper automatisk. Etter at støvsugeren har stoppet, må du slå den av og tømme tanken.

Filterrengjøringsystem

Dette apparatet har et filterrengjøringsystem. Mens apparatet brukes, fjerner filterrengjøringsystemet automatisk støv fra filterne, for å forhindre at sugekraften reduseres fordi filterne tettes.

Hvis apparatet suger opp store mengder støv på en gang, kan sugekraften reduseres. I så fall anbefales det å rengjøre filterne manuelt.

1. Slå av apparatet.
2. Still inn sugekraften på maksimum, og lukk deretter åpningen av sugeslangen med håndflaten din.
3. Slå på apparatet og la det gå i ca. 15 sekunder med sugeslangeåpningen lukket.

► Fig.7: 1. Åpne sugeslangen

MERK: Luftvolumet kan endres mens filterrengjøringsystemet aktiveres, men dette er ikke en feil.

Vanddrenering

Når tanken er full av væske, må du slå av støvsugeren og åpne vanddreneringshetten for å tømme tanken.

► Fig.8: 1. Vanddreneringshette

Deksel

Hetten følger med apparatet. Hvis du monterer hetten på slangetilkoblingsporten, forhindrer det at støvet i støvsugeren slipper ut.

► Fig.9: 1. Hette

Låse opp og igjen hjulene

De fremre hjulene kan låses med stoppere, for å bidra til at støvsugeren står stille.

Senk stopperspaken for hånd for å låse hjulet og hev den opp for å friggi hjulet.

► Fig.10: 1. Hjul 2. Stopperspak 3. Stillingen FRI 4. Stillingen LÅST

MERK: Pass på at hjulet ikke er låst når du flytter støvsugeren. Hvis du flytter støvsugeren mens hjulet i låst stilling, kan hjulet bli skadet.

Bærehåndtak

⚠FORSIKTIG: Løft og bær apparatet med forsiktighet. Hvis du ikke gjør det, kan det føre til personskaade eller skader åpå apparatet.

Når du løfter støvsugeren, skal den alltid bæres i håndtaket på hovedenheten. Håndtaket kan trekkes inn i hovedenheten når det ikke er i bruk.

► Fig.11

Hvis det er vanskelig å bære apparatet, kan to personer bære det, som vist på figuren.

► Fig.12

► Fig.13

MONTERING

⚠ADVARSEL: Denne enheten kan inneholde farlig støv. Når du skifter ut filterelementer og støvpose, eller utfører vedlikehold, må du alltid bruke en P2-respirator.

⚠FORSIKTIG: Du må alltid forsikre deg om at apparatet er slått av og batteriinnsettene er tatt ut før du utfører noe arbeid på apparatet.

Installere og kaste filterposen

⚠ADVARSEL: Du må alltid bruke en P2-respirator.

⚠ADVARSEL: Før du bruker en filterpose, må du forvise deg om at filterenheten er på plass. Hvis du ikke bruker filterenheten sammen med filterposen, kan det resultere i uvanlige lyder og varmeutvikling som kan utvikle seg til brann.

⚠ADVARSEL: Når du bruker apparatet i støvklasse M, må du alltid bruke filterpose.

OBS: Ikke sug opp vann eller andre væsker, eller vått støv når du bruker filterpose. Hvis du suger opp slike ting, kan filterposen revne.

1. Løsne låsekrokkene og løft hovedenheten opp av tanken.

► Fig.14: 1. Låsekrok

2. Brette ut en filterpose.

3. Plasser filterposens åpning slik at den passer til støvinntaket til tanken.

4. Sett pappskiven til filterposen på verktøyet, slik at den står ved enden, bortenfor fremspringet til låsearmen.

► Fig.15: 1. Filterpose 2. Kartongåpning 3. Filterposeholder 4. Støvintak 5. Kant

Når du kaster en filterpose, må du trekke i kanten av filterposens åpning, slik at åpningen lukkes av et papir.

Installering av polyetylenpose

Valgfritt tilbehør

Legg en polyetylenpose over beholderen og før en side av den øverste kanten av posen den åpne enden mellom holdeplaten og fremveggen på beholderen.

Spre så de andre øvre kantene av posen utover de øvre kantene av tanken.

Du kan bruke en polyetylenpose sammen med filterposen.

► Fig.16: 1. Holderplate 2. Frontveggen på beholderen 3. Polyetylenpose

MERK: Du kan bruke en polyetylenpose du kan kjøpe i handelen. Det anbefales å bruke en pose med tykkelse på mer enn 0,04 mm og en rand på mer enn 2 000 mm.

MERK: For mye støv vil føre til at polyetylenposen raskt blir ødelagt, så ikke la posen bli for full. Å kaste en tung pose kan utgjøre en belastning for kroppen.

Tømme beholderen med polyetylenposen

⚠ ADVARSEL: Forviss deg alltid om at støvsugerens er slått av og batteriinnsettene er tatt ut før du tømmer beholderen. Hvis ikke, vil det være fare for elektrisk støt og alvorlige personskader.

OBS: Avhengig av støvmengden i beholderen, kan det være nødvendig å tømme beholderen minst én gang per dag. Hvis det går for lenge mellom hver gang beholderen tømmes, vil sugekraften bli redusert og motoren kan bli ødelagt.

OBS: Ikke ta tak i låsekrokkene når du tømmer tanken. Hvis du tar tak i låsekrokkene, kan de brette.

1. Løsne låsekrokkene og løft hovedenheten opp av tanken.
2. Ta polyetylenposen ut av tanken, og lukk poseåpningen for hånd.

► **Fig.17:** 1. Polyetylenpose 2. Tank

MERK: Ta polyetylenposen ut av beholderen, og vær forsiktig slik at du unngår at den skrapes opp eller revet opp av kantene inne i beholderen.

MERK: Tøm polyetylenposen før den er helt full. For mye støv i beholderen kan føre til at posen revner.

Installere slange

OBS: Aldri trakk på eller bruk makt for å bøye slangen. Ikke trekk i slangen for å flytte støvsugeren. Hvis du trækker på, drar i eller bøyer slangen, kan den knekke eller bli misformet.

OBS: Hvis du skal suge opp store mengder avfall av typen sponfliser, betongstøv eller lignende, bruker du slangen som har en indre diameter på 38 mm (valgfritt tilbehør). Hvis du bruker slangen som har en indre diameter på 28 mm (valgfritt tilbehør), kan slangen bli tilstoppet og skadet.

OBS: Sett alltid hetten på monteringsåpningen når du tar slangen av støvsugeren.

Koble til støvsuger

Ta hetten av monteringsåpningen. Hetten kan oppbevares bak på støvsugeren mens slangen er koblet til støvsugeren.

► **Fig.18:** 1. Hette

Sett slangen inn i støvinntaket (slangeinngang) på støvsugeren, og dreid den med klokken til den går i lås.

► **Fig.19:** 1. Slange 2. Støvinntak (slangeinngang)

Tilkoblinger til arbeidsverktøyet ditt (landsspesifikk)

Ved å koble støvsugeren til alle tilgjengelige verktøy som er kompatible med støvsugeren, virker den som støvsug for de elektriske verktøyene dine.

Velg ett av ett av munnstykkene eller tilkoblingene (ekstrautstyr) som egner seg best til din verktøymodell. Plasser munnstykket eller tilkoblingen, etter behov, mellom forenden på støvsugerslangen og støvuttrekkporten på verktøyet.

- **Fig.20:**
1. Munnstykker eller koblinger foran
 2. Støvsugerslange
 3. Elektrisk verktøy
 4. Støvsuger

Sette på eller ta av støvsugertilbehøret

⚠ FORSIKTIG: Etter at du har satt på et tilbehør må du kontrollere at det sitter godt fast. Hvis tilbehøret ikke er satt riktig på, kan det falle av og føre til personskade.

Når du bruker tilbehør uten låsefunksjon

Valgfritt tilbehør

Sett tilbehøret inn i innsugingsinntaket på støvsugeren vek så skyve og håndskru det på plass.

Drei tilbehøret for hånd av sugeinntaket etter bruk.

► **Fig.21**

Installere MAKPAC

Valgfritt tilbehør

⚠ FORSIKTIG: Ikke stå eller sitt på apparatet. Det kan falle ned pga. ustabilitet.

⚠ FORSIKTIG: Vær forsiktig med betjeningen når du installerer MAKPAC. Hvis dette ikke gjøres, kan konsekvensene bli personskade eller skade på apparatet.

⚠ FORSIKTIG: Når MAKPAC er installert på enheten, må du ikke løfte apparatet etter håndtaket på MAKPAC.

⚠ FORSIKTIG: Når du flytter apparatet med installert MAKPAC, må du ikke skyve på MAKPAC, men på selve apparatet. Hvis du skyver på MAKPAC, kan låsemekanismen brette og MAKPAC falle ned, hvilket kan resultere i personskade.

Oppbevaringsbokser for MAKPAC, som kan kobles og stables, kan installeres på toppen av støvsugeren. Boksene er tilgjengelige i mange størrelser og fasonger for å passe til preferansene dine.

1. Fold ut låsemekanismen på oversiden av støvsugeren.

► **Fig.22:** 1. Låsemekanisme

2. Monter MAKPAC-boksene på toppen av støvsugeren og fest den med låsemekanismen.

► **Fig.23:** 1. Låsemekanisme 2. MAKPAC

Maksimal høyde og vekt med installert MAKPAC er henholdsvis 315 mm og 20 kg.

► **Fig.24**

BRUK

⚠ ADVARSEL: Bruk alltid en P2-respirator.

⚠ FORSIKTIG: Hvis det kommer skum eller væske ut av verktøyet, må du slå det av omgående. Under slike forhold kan kontinuerlig bruk forårsake elektrisk støt og føre til at støvsugeren slutter å virke.

TRÅDLØSAKTIVERINGS- FUNKSJON

Valgfritt tilbehør

Hva du kan gjøre med trådløsaaktiveringsfunksjonen

Trådløsaaktiveringsfunksjonen muliggjør ren og behagelig bruk. Hvis du kobler et støttet verktøy til støvsugeren, kan du bruke støvsugeren automatisk sammen med verktøys bryterfunksjon.

► Fig.25

OBS: Les brukerveiledningen når du skal bruke støvsugeren med trådløsaaktiveringsfunksjonen.

OBS: Du må ikke demontere eller tukle med den trådløse enheten.

OBS: For å forhindre at det kommer støv inn i sporet på den trådløse enheten må du alltid lukke lokket godt ved bruk og oppbevaring.

OBS: Ikke trykk for hardt på trådløsaaktiveringsknappen, og trykk heller ikke på knappen med en gjenstand med skarp kant.

MERK: Trådløsaaktivering krever Makita-verktøy som er utstyrt med den trådløse enheten.

MERK: Før du bruker trådløsaaktiveringsfunksjonen for første gang på et verktøy, må verktøyet registreres. Når registreringen av verktøyet er fullført, trenger du ikke å registrere verktøyet på nytt med mindre du fjerner registreringen.

MERK: Før registrering må du kontrollere at den trådløse enheten er satt riktig inn.

MERK: Én trådløs enhet kan registrere opptil 10 koblinger til andre trådløse enheter. Hvis flere enn 10 andre trådløse enheter er registrert til én trådløs enhet, vil det først registrerte verktøyet bli fjernet automatisk.

MERK: Trådløsaaktiveringsknappens plassering varierer avhengig av verktøyet.

MERK: Du kan også starte støvsugeren ved å trykke på strømknappen mens ventebryteren står på "AUTO". Strømknappen vil imidlertid ikke aktivere når trådløsaaktiveringsfunksjonen er i bruk.

Installere den trådløse enheten

⚠ ADVARSEL: Åpne lokket bare når du installerer den trådløse enheten. Lokket skal aldri åpnes igjen etter installasjonen.

⚠ FORSIKTIG: Plasser støvsugeren på et flatt og stabilt underlag når du skal installere den trådløse enheten.

OBS: Fjern støv og smuss på støvsugeren før du installerer den trådløse enheten. Støv eller smuss kan føre til funksjonsfeil hvis det trenger inn i den trådløse enhetens spor.

OBS: For å unngå funksjonsfeil som følge av statisk elektrisitet, berører du et statisk utladningsmateriale, som en metallidel, før du tar opp den trådløse enheten.

OBS: Når du installerer den trådløse enheten, må du passe på at den trådløse enheten settes inn i riktig rettet og at lokket lukkes helt igjen.

1. Løsne skruen for å åpne lokket på støvsugeren, som vist på figuren.

► Fig.26: 1. Løkk 2. Skru

2. Sett den trådløse enheten inn i sporet.

Når du setter inn den trådløse enheten, innretter du fremspringene med de utsparte delene på sporet.

► Fig.27: 1. Trådløs enhet 2. Fremspring 3. Løkk 4. Utspart del

3. Trekk til skruen helt for å lukke lokket.

Verktøyregistrering for støvsugeren

MERK: Et Makita-verktøy som støtter trådløsaaktiveringsfunksjonen er nødvendig for verktøyregistrering.

MERK: Fullfør installasjonen av den trådløse enheten i verktøyet før du starter verktøyregistreringen.

MERK: Du må ikke dra i startbryteren på verktøyet eller slå på strømbryteren på støvsugeren under verktøyregistrering.

MERK: Les i tillegg brukerveiledningen for verktøyet.

Hvis du ønsker å aktivere støvsugeren sammen med verktøys bryterfunksjon, må du fullføre verktøyregistreringen på forhånd.

1. Installer den trådløse enheten i henholdsvis støvsugeren og verktøyet.

2. Sett batteriene i støvsugeren og verktøyet.

3. Still ventebryteren på støvsugeren på "AUTO".

► Fig.28: 1. Ventebryter

4. Trykk på trådløsaaktiveringsknappen på støvsugeren i 3 sekunder til trådløsaaktiveringslampen blinker grønt. Deretter trykker du på trådløsaaktiveringsknappen på verktøyet på samme måte.

► Fig.29: 1. Trådløsaaktiveringsknapp
2. Trådløsaaktiveringslampe

Hvis koblingen av støvsugeren og verktøyet lykkes, vil trådløsaaktiveringslampene lyse grønt i 2 sekunder og begynne å blinke blått.

MERK: Trådløsaaktiveringslampene slutter å blinke grønt når det har gått 20 sekunder. Trykk på trådløsaaktiveringsfunksjonen på verktøyet mens trådløsaaktiveringslampen på støvsugeren blinker. Hvis trådløsaaktiveringslampen ikke blinker grønt, trykker du på trådløsaaktiveringsknappen et kort øyeblikk og holder den inne igjen.

MERK: Når du utfører to eller flere verktøyregistreringer for støvsugeren, fullfører du verktøyregistreringen én etter én.

Starte trådløsaktiveringsfunksjonen

MERK: Fullfør verktøyregistreringen for støvsugeren for trådløsaktivering.

MERK: Støvsugeren må alltid plasseres slik at du kan se trådløsaktiveringslampens status.

MERK: Les i tillegg brukerveiledningen for verktøyet.

Etter at et verktøy er registrert til støvsugeren, vil støvsugeren automatisk svive sammen med verktøyet bryterfunksjon.

1. Installer den trådløse enheten i henholdsvis støvsugeren og verktøyet.

2. Sett batteriene i støvsugeren og verktøyet.

3. Koble støvsugerens slange til verktøyet.

► **Fig.30**

4. Still ventebryteren på støvsugeren på "AUTO".

► **Fig.31:** 1. Ventebryter

5. Trykk et kort øyeblikk på trådløsaktiveringsknappen på verktøyet. Trådløsaktiveringslampen vil blinke blått.

► **Fig.32:** 1. Trådløsaktiveringsknapp
2. Trådløsaktiveringslampe

6. Slå på verktøyet. Kontroller om rengjøreren går mens verktøyet er i drift.

⚠FORSIKTIG: Du må alltid kontrollere at aktiveringsfunksjonen for trådløs bruk virker før du starter arbeid med et verktøy.

Hvis du vil stoppe trådløsaktiveringen, trykker du på trådløsaktiveringsknappen på verktøyet eller setter ventebryteren på støvsuger på "I" eller "O".

MERK: Trådløsaktiveringslampen på verktøyet vil slutte å blinke blått når verktøyet ikke har blitt brukt på 2 timer. Da setter du i tilfelle ventebryteren på støvsugeren på "AUTO" og trykker på trådløsaktiveringsknappen på verktøyet igjen.

MERK: Støvsugeren starter/stopper med en forsinkelse. Det er en tidsforsinkelse når støvsugeren oppdater at en bryter på verktøyet er trykket på.

MERK: Den trådløse enhetens overføringsavstand kan variere avhengig av sted og omgivelsesforhold.

MERK: Når to eller flere verktøy er registrert til én rengjøreren, kan det hende at rengjøreren begynner å kjøre selv om du ikke slår på verktøyet, fordi en annen bruker bruker trådløsaktiveringsfunksjonen.

Avbryte verktøyregistrering for støvsugeren

Gå frem på følgende måte når du skal avbryte verktøyregistrering for støvsugeren.

1. Installer den trådløse enheten i henholdsvis støvsugeren og verktøyet.

2. Sett batteriene i støvsugeren og verktøyet.

3. Still ventebryteren på støvsugeren på "AUTO".

► **Fig.33:** 1. Ventebryter

4. Trykk på trådløsaktiveringsknappen på støvsugeren i 6 sekunder. Trådløsaktiveringslampen blinker grønt og blir deretter rød. Deretter trykker du på trådløsaktiveringsknappen på verktøyet på samme måte.

► **Fig.34:** 1. Trådløsaktiveringsknapp
2. Trådløsaktiveringslampe

Hvis avbrytingen er vellykket, vil trådløsaktiveringslampene lyse rødt i 2 sekunder og begynne å blinke blått.

MERK: Trådløsaktiveringslampene slutter å blinke rødt når det har gått 20 sekunder. Trykk på trådløsaktiveringsfunksjonen på verktøyet mens trådløsaktiveringslampen på støvsugeren blinker. Hvis trådløsaktiveringslampen ikke blinker rødt, trykker du på trådløsaktiveringsknappen et kort øyeblikk og holder den inne igjen.

Slette alle verktøyregistreringer

Du kan slette alle verktøyregistreringer fra støvsugeren på følgende måte.

► **Fig.35:** 1. Ventebryter 2. Trådløsaktiveringsknapp
3. Trådløsaktiveringslampe

1. Installer den trådløse enheten i støvsugeren.

2. Installer batteriene i støvsugeren.

3. Still ventebryteren på "AUTO".

4. Hold inne trådløsaktiveringsknappen i omtrent 6 sekunder til trådløsaktiveringslampen blinker rødt (omtrent to ganger i sekundet).

5. Når trådløsaktiveringslampen begynner å blinke rødt, fjerner du fingeren fra trådløsaktiveringsknappen. Deretter holder du inne trådløsaktiveringsknappen igjen i omtrent 6 sekunder.






6. Når trådløsaktiveringslampen begynner å blinke fort (omtrent 5 ganger i sekundet) rødt, fjerner du fingeren fra trådløsaktiveringsknappen. Når trådløsaktiveringslampen lyser rødt og senere slår seg av, er alle verktøyregistreringer slettet.

MERK: Hvis trådløsaktiveringslampen ikke blinker rødt, trykker du på trådløsaktiveringsknappen et kort øyeblikk og prøver på nytt.

Beskrivelse av trådløsaktiveringslampens status

- **Fig.36:** 1. Trådløsaktiveringsknapp
2. Trådløsaktiveringslampe

Trådløsaktiveringslampen viser statusen til trådløsaktiveringsfunksjonen. Du finner informasjon om lampestatusens betydning i tabellen nedenfor.

Status	Trådløsaktiveringslampe				Beskrivelse
	Farge	 På	 Blinker	Varighet (ca.)	
Vente- modus	Blå			Støvsuger: kontinuerlig Verktøy: 2 timer	Venter på verktøyregistreringen eller trådløsaktiveringsfunksjonen er tilgjengelig. Lampen på støvsugeren blinker når ventebryteren er stilt på AUTO. Lampen på verktøyet blinker når du trykker på trådløsaktiveringsknappen. Lampen på verktøyet vil slå seg av automatisk når verktøyet ikke har blitt brukt på 2 timer.
				Når verktøyet sviver.	Trådløsaktivering av støvsugeren er tilgjengelig, og verktøyet sviver.
Verktøyre- gistrering	Grønn			20 sekunder	Klar for verktøyregistrering. Søker etter verktøyet som skal registreres.
				2 sekunder	Verktøyregistreringen er fullført. Trådløsaktiveringslampen vil begynne å blinke blått.
Avbryte/ slette verktøyre- gistrering	Rød	 (sakte: 2 ganger/sek)		20 sekunder	Klar for å avbryte verktøyregistrering. Søker etter verktøyet som skal fjernes.
		 (raskt: 5 ganger/sek)		Når du trykker på trådløsaktiveringsknappen.	Klar til å slette alle verktøyregistreringer.
				2 sekunder	Verktøyregistreringen er avbrutt/slettet. Trådløsaktiveringslampen vil begynne å blinke blått.
Andre	Rød			3 sekunder	Den trådløse enheten forsynes med strøm, og trådløsaktiveringsfunksjonen starter opp.
	Av	-		-	Ventebryteren er ikke stilt inn på "AUTO".

Feilsøking for trådløstiveringsfunksjonen

Inspiser utstyret selv før du bestiller reparasjon. Ikke prøv å demontere verktøyet hvis du finner et problem som ikke er forklart i brukerveiledningen. I stedet bør du ta kontakt med et av Makitas autoriserte servicesentre, som alltid bruker reservedeler fra Makita til reparasjoner.

Unormal tilstand	Sannsynlig årsak (feil)	Løsning
Trådløstiveringslampen tennes/ blinker ikke.	Den trådløse enheten er ikke installert i støvsugeren og/eller verktøyet. Den trådløse enheten er feilinstallert i støvsugeren og/eller verktøyet.	Installer den trådløse enheten på riktig måte.
	Du har ikke trykket på trådløstiveringsknappen.	Trykk et kort øyeblikk på trådløstiveringsknappen på verktøyet.
	Ventebryteren på støvsugeren er ikke stilt inn på "AUTO".	Still ventebryteren på støvsugeren på "AUTO".
	Ingen strømforsyning	Sørg for at verktøyet og støvsugeren har strømforsyning.
Kan ikke fullføre verktøyregistrering/ avbytte verktøyregistrering.	Den trådløse enheten er ikke installert i støvsugeren og/eller verktøyet. Den trådløse enheten er ikke installert korrekt i støvsugeren og/eller verktøyet.	Installer den trådløse enheten på riktig måte.
	Ventebryteren på støvsugeren er ikke stilt inn på "AUTO".	Still ventebryteren på støvsugeren på "AUTO".
	Ingen strømforsyning	Sørg for at verktøyet og støvsugeren har strømforsyning.
	Feil bruk	Trykk på trådløstiveringsknappen et kort øyeblikk, og utfør verktøyregistrering/-fjerning på nytt.
	Verktøyet og støvsugeren er for langt unna hverandre (utenfor overføringsområdet).	Sørg for at verktøyet og støvsugeren er nærmere hverandre. Maksimal overføringsavstand er ca. 10 m, men den kan variere avhengig av forholdene.
	Før du fullfører verktøyregistrering/ avbryting: - bryteren på verktøyet er slått på, eller - startknappen på rengjøreren er slått på.	Trykk på trådløstiveringsknappen et kort øyeblikk, og utfør verktøyregistrering/-fjerning på nytt.
	Verktøyregistreringen for verktøyet eller støvsugeren er ikke fullført.	Følg fremgangsmåten for verktøyregistrering for verktøyet og støvsugeren samtidig.
	Radioforstyrrelse fra andre innretninger som genererer radiobølger med høy intensitet.	Hold verktøyet og støvsugeren borte fra innretninger som WiFi-enheter og mikrobølgeovner.
Støvsugeren svinger ikke sammen med verktøets bryterfunksjon.	Den trådløse enheten er ikke installert i støvsugeren og/eller verktøyet. Den trådløse enheten er feilinstallert i støvsugeren og/eller verktøyet.	Installer den trådløse enheten på riktig måte.
	Du har ikke trykket på trådløstiveringsknappen.	Trykk på trådløstiveringsknappen et kort øyeblikk, og kontroller at trådløstiveringslampen blinker blått.
	Ventebryteren på støvsugeren er ikke stilt inn på "AUTO".	Still ventebryteren på støvsugeren på "AUTO".
	Mer enn 10 verktøy er registrert til støvsugeren.	Utfør verktøyregistreringen på nytt. Hvis mer enn 10 verktøy er registrert til støvsugeren, vil det først registrerte verktøyet bli fjernet automatisk.
	Støvsugeren slettet alle verktøyregistreringer.	Utfør verktøyregistreringen på nytt.
	Ingen strømforsyning	Sørg for at verktøyet og støvsugeren har strømforsyning.
	Verktøyet og støvsugeren er for langt unna hverandre (utenfor overføringsområdet).	Sørg for at verktøyet og støvsugeren er nærmere hverandre. Maksimal overføringsavstand er ca. 10 m, men den kan variere avhengig av forholdene.
	Radioforstyrrelse fra andre innretninger som genererer radiobølger med høy intensitet.	Hold verktøyet og støvsugeren borte fra innretninger som WiFi-enheter og mikrobølgeovner.

Unormal tilstand	Sannsynlig årsak (feil)	Løsning
Rengjøreren går mens verktøyet ikke er i drift.	Andre brukere bruker støvsugerens trådløsoverføring med verktøyene sine.	Slå av de andre verktøyenes trådløsoverføringsknapp, eller avbryt verktøyregistrering for andre verktøy.
Kan ikke slette alle verktøyregistreringer i støvsugeren.	Trykker på trådløsoverføringsknappen på verktøyet.	Trykk på trådløsoverføringsknappen på bryteren for å slette alle verktøyregistreringer.
	Ventebryteren på støvsugeren er ikke stilt inn på "AUTO".	Still ventebryteren på støvsugeren på "AUTO".
	Du holder ikke trådløsoverføringsknappen inne på riktig måte.	Hold inne trådløsoverføringsknappen i mer enn 6 sekunder, og deretter slipper du den nå trådløsoverføringsknappen i mer enn 6 sekunder igjen til trådløsoverføringslampen blinker raskt rødt, og deretter slipper du knappen.

VEDLIKEHOLD

⚠ ADVARSEL: Du må alltid bruke en P2-respirator når du utfører vedlikehold.

⚠ FORSIKTIG: Forviss deg alltid om at apparatet er slått av og at batteriinnsettsene er tatt ut før du forsøker å foreta en inspeksjon eller noe vedlikeholdsarbeid.

⚠ FORSIKTIG: Minst én gang i året må en fagkyndig person gjennomføre en teknisk inspeksjon, inkludert inspeksjon av filterne, lufttetthet og styringsmekanismen.

⚠ FORSIKTIG: Under vedlikehold må du kaste alle kontaminerte gjenstander som ikke kan rengjøres på en tilfredsstillende måte. Slike gjenstander må kastes i tette poser, i tråd med reglene for avfallshåndtering i landet ditt.

⚠ FORSIKTIG: Etter drift i det farlige området må utsiden av verktøyet dekontamineres ved å støvsuges og tørkes rent, eller behandles med tetningsmasse, før du tar verktøyet ut av det farlige området. Alle delene av verktøyet må anses som kontaminert når de tas ut av det farlige området, og det må treffes passende tiltak for å hindre spredning av støv.

⚠ FORSIKTIG: Bytt filtre når filterne er tette av støv eller du føler at støvsugerens ytelse er redusert.

⚠ FORSIKTIG: Kontroller filterne med jevne mellomrom. Hvis filterne har en rift, må du skifte dem ut omgående.

OBS: Aldri bruk gasolin, bensin, tynner alkohol eller lignende. Det kan føre til misfarging, deformering eller sprekkdannelse.

For å opprettholde produktets SIKKERHET og PÅLITELIGHET, må reparasjoner, vedlikehold og justeringer utføres av autoriserte Makita servicesentre eller fabrikkservicesentre, og det må alltid brukes reservedeler fra Makita.

Fjerne filterenheten

⚠ FORSIKTIG: Vent i ca. 5 minutter, slik at støvet i tanken ligger helt i ro.

⚠ FORSIKTIG: Vær forsiktig så du ikke slipper støv inn i tankdekslet når du fjerner filterenheten.

Filterenheten er festet til hovedenheten. Den består av toppplaten, forfiltere, spjeld og pulverfiltere.

1. Løsne låsekrokene og løft hovedenheten opp av tanken.
2. Fjern filterenheten fra hovedenheten, som vist på figuren.

► Fig.37: 1. Låsemekanisme 2. Filterenhet

Fjerne pulverfilteret og forfilteret

Plukke opp knotten og fjerne filtre fra toppplaten.

► Fig.38: 1. Topplate 2. Filtre 3. Knott

For å forhindre at støvet holder seg i luften, er det fordelaktig å fjerne filterne inne i polyetylenposen. Når du bærer filterenheten i den hensikt å gjøre den ren, må du knyte en polyetylenpose godt igjen.

► Fig.39: 1. Filterenhet 2. Polyetylenpose

► Fig.40: 1. Topplate 2. Filtre 3. Polyetylenpose

Rengjøring av pulverfilter, forfilter og spjeld

Rengjør filterne og spjeldet fra tid til annen. Tette filtre og spjeld kan resultere i dårlig sugeseffekt.

Fjern oppsamlet støv fra filterne og spjeldet med jevne mellomrom.

Nå og da må du vaske pulverfilteret, forfilteret og spjeldet med vann, og rense og tørke dem grundig i skyggen før du tar dem i bruk. Vask dem aldri i en vaskemaskin.

► Fig.41

MERK: Ikke bruk harde gjenstander som for eksempel børster eller skraper på pulverfilteret, forfilteret eller demperen.

MERK: Filtrene blir slitte etter hvert. Det anbefales å ha noen i reserve.

Installere pulverfilter og forfilter

OBS: Pulverfilteret og forfilteret kan fange opp både tørt støv og vått støv. Forviss deg om at vannivåsensorene aktiveres som de skal, for å forhindre at pulverfilteret går i stykker.

Hekt kantene av filterenheten innpå topplaten, og senk deretter knotten.

► **Fig.42:** 1. Kant 2. Knott

OBS: Pass på at både forfilteret og demperen er satt i før du tar i bruk pulverfilteret. Pulverfilteret kan ikke brukes uten forfilter og demper.

Sette sammen filterne

Hvis du får filterne enkeltvis, må du sette dem sammen som vist på figuren.

► **Fig.43:** 1. Pulverfilter 2. Spjeld 3. Forfilter

Installere filterenheten

Etter installasjon av filterne på topplaten må du hekte hullene i filterenheten innpå de U-formede delene av innerdekselet. Lås deretter låsemekanismen, som vist på figuren.

► **Fig.44:** 1. U-format del 2. Hull 3. Låsemekanisme

Installere vannfilteret

Valgfritt tilbehør

OBS: For å fange opp vått støv må du forvise deg om at vannivåsensorene aktiveres som de skal.

OBS: Ikke bruk forfilteret og spjeldet når du bruker et vannfilter.

Når du ønsker å fange opp bare vann eller vått støv, er vannfilteret bedre egnet enn pulverfilteret og forfilteret. Når du installerer vannfilteret, må du sette vannfilteret på topplaten på samme måte som pulverfilteret og forfilteret.

► **Fig.45**

MERK: Det anbefales å bruke vannfilteret når du vil fange opp store mengder vann gjentatte ganger. Ellers vil sugeseffekten kanskje reduseres i forbindelse med pulverfilteret og forfilteret.

Rengjøre vannivåsensorene

Vannivåsensorene oppdager væske når tanken fylles med væske. Rengjør vannivåsensorene med en myk klut fra tid til annen når du skifter filtre.

► **Fig.46:** 1. Vannivåssensor

Oppbevare tilbehør

Tilbehør som ikke er i bruk, som dyser, rør og en hette, kan oppbevares på en krok bak på støvsugeren.

► **Fig.47:** 1. Tilbehør som ikke er i bruk 2. Hette

Rørene (med ekstra stopper installert) kan plasseres i rørholderen når det ikke er lenge til støvsugeren skal brukes neste gang.

► **Fig.48:** 1. Stopper (ekstrautstyr) 2. Rørholder

En slange kan surres rundt i store løkker rundt huset eller håndtaket på støvsugeren. Koble sammen de to endene for å lage løkker og hekt løkkene på håndtaket som er foldet ut. Alternativt, behold enden koblet til slangeinntaket og heng løkkene på multikroken med den løse enden oppbundet.

► **Fig.49**

► **Fig.50**

VALGFRITT TILBEHØR

⚠FORSIKTIG: Det anbefales at du bruker dette tilbehøret eller verktøyet sammen med den Makita-maskinen som er spesifisert i denne håndboken. Bruk av annet tilbehør eller verktøy kan forårsake personskader. Tilbehør og verktøy må kun brukes til det formålet det er beregnet på.

Ta kontakt med ditt lokale Makita-servicesenter hvis du trenger mer informasjon om dette tilbehøret.

- Slange
- Munnstykker (22, 24, 38)
- Rett rør
- Hjørnemunnstykke
- Rund børste
- Pulverfilter M, H (HEPA)
- Demper
- Forfilter
- Vannfilter
- Munnstykkeenhet
- Vinkelrør
- Polyetylenpose
- Filterpose
- Hette
- Makita originalbatteri og lader
- Trådløs enhet
- MAKPAC

MERK: Enkelte elementer i listen kan være inkludert som standardtilbehør i verktyppakken. Elementene kan variere fra land til land.

VAROITUS

- Tämä laite ei ole tarkoitettu sellaisten henkilöiden (lapset mukaan lukien) käytettäväksi, joiden fyysiset, sensoriset tai henkiset kyvyt tai kokemuksen tai tiedon puute estävät heitä käyttämästä laitetta turvallisesti.
- Lapsia tulee valvoa ja varmistaa, etteivät he pääse leikkimään imurilla.
- Tarkista akun tyyppi luvusta "TEKNISET TIEDOT".
- Katso akun irrotus- tai poisto-ohjeet osiosta "Akun asentaminen tai irrottaminen".
- Kun akkupaketti on hävitettävä, poista se työkalusta ja hävitä se turvallisesti. Hävitä akku paikallisten määräysten mukaisesti.
- Jos työkalua ei käytetä pitkään aikaan, akku on poistettava työkalusta.
- Älä oikosulje akkupakettia.
- Tarkista käyttäjän huoltotoimien aikana noudatettavat varoimet luvusta "KUNNOSSAPITO".

TEKNISET TIEDOT

Malli:	VC006GM	
Suurin ilman tilavuus letkun päässä	BL4050F:n kanssa, ø28 mm x3,5 m letku	2,0 m ³ /min
	BL4050F:n kanssa, ø38 mm x2,5 m letku	3,7 m ³ /min
Suurin ilman tilavuus turbiinissa (BL4050F:n kanssa)		4,9 m ³ /min
Alipaine (BL4050F:n kanssa)		18 kPa
Talteenotettava tilavuus	Pöly	40 l
	Vesi	30 l
Mitat (P x L x K)		586 mm x 385 mm x 598 mm
Nimellisjännite		DC 72 V – 80 V maks.
Nettopaino		18,4–20,8 kg
Suojausluokka		IPX4

- Jatkuvasta tutkimus- ja kehitystyöstämme johtuen esitetyt tekniset tiedot saattavat muuttua ilman erillistä ilmoitusta.
- Tekniset tiedot saattavat vaihdella maan mukaan.
- Paino ilman lisävarusteita mutta akkupakettien kanssa. Laitteen ja akkupakettien kevyin ja painavin yhdistelmäpaino esitetään taulukossa.

Käytettävä akkupaketti ja laturi

Akkupaketti	BL4020 / BL4025 / BL4040* / BL4050F* / BL4080F* *: Suositeltu akku
Laturi	DC40RA / DC40RB / DC40RC

- Tiettyjä yläpuolella kuvattuja akkuja ja latureita ei ehkä ole saatavana asuinalueestasi johtuen.

VAROITUS: Käytä vain edellä eriteltyjä akkupaketteja ja latureita. Muiden akkupakettien ja laturien käyttäminen voi aiheuttaa loukkaantumisen ja/tai tulipalon.

Symbolit

Laitteessa on mahdollisesti käytetty seuraavia symboleja. Opettele niiden merkitys ennen käyttöä.



Lue käyttöohje.



Noudata erityistä varovaisuutta ja kiinnitä huomiota.



Varoitus! Imuri voi sisältää haitallista pölyä.



Älä seiso imurin päällä.



Älä koskaan laita mitään yli 20 kg (44 lbs) painavaa imurin päälle.



Pölyluokka M (keskitaso): pölyn erottamiseen, jonka työperäisen altistuksen raja-arvo on vähintään 0,1 mg/m³. Imurit pysyvät imemään pölyluokkien L ja M pölyä. Noudata oman maasi pölyä ja työsuojelua koskevia määräyksiä.



Koskee vain EU-maita
Käytetyillä sähkö- ja elektroniikkalaitteilla, paristoilla ja akuilla voi olla negatiivisia ympäristö- ja terveysvaikutuksia niissä käytettyjen haitallisten osien takia.
Älä hävitä sähkö- ja elektroniikkalaitteita tai akkuja kotitalousjätteen mukana!
Vanhoja sähkö- ja elektroniikkalaitteita, paristoja ja akkuja koskevan EU-direktiivin ja sen perusteella laadittujen kansallisten lakien mukaan käytetyt sähkö- ja elektroniikkalaitteet, paristot ja akut on kierrätettävä toimittamalla ne erilliseen, ympäristönsuojelusääntösten mukaisesti toimivaan kierrätyspisteeseen.
Tämä on ilmaistu laitteessa olevalla ylivedetyn roska-astian symbolilla.

Käyttötarkoitus

Laitte on tarkoitettu sekä kuivan että märän pölymateriaalin imuroimiseen. Laitte sopii kaupalliseen käyttöön esimerkiksi hotelleissa, kouluissa, sairaaloissa, tehtaissa, myymälöissä, toimistoissa tai vuokraamoissa.

Melutaso

Tyypillinen A-painotettu melutaso määräytyy standardin EN60335-2-69 mukaan:

Äänenpainetaso (L_{pA}): 70 dB (A) tai vähemmän
Virhemarginaali (K): 2,5 dB (A)

Työskentelyn aikana melutaso voi ylittää 80 dB (A).

HUOMAA: Ilmoitetut melutasoarvot on mitattu standarditestausmenetelmän mukaisesti ja niiden avulla voidaan vertailla työkaluja keskenään.

HUOMAA: Ilmoitettuja melutasoarvoja voidaan käyttää myös altistumisen alustavaan arviointiin.

VAROITUS: Käytä kuulosuojaimia.

VAROITUS: Sähkötyökalun käytön aikana mitattu melutasoarvo voi poiketa ilmoitetuista arvoista laitteen käyttötavan ja erityisesti käsiteltävän työkappaleen mukaan.

VAROITUS: Selvitä käyttäjän suojaamiseksi tarvittavat varoimet todellisissa käyttöolosuhteissa tapahtuvan arvioidun altistumisen mukaisesti (ottaen huomioon käyttöjako kokonaisuudessaan, myös jaksot, joiden aikana laite on sammutettuna tai käy tyhjäkäynnillä).

Tärinä

Kokonaistärinä (kolmen akselin vektorien summa) määräytyy standardin EN60335-2-69 mukaan:

Tärinäpäästö (a_{h,M}): 2,5 m/s² tai alhaisempi
Virhemarginaali (K): 1,5 m/s²

HUOMAA: Ilmoitetut kokonaistärinäarvot on mitattu standarditestausmenetelmän mukaisesti ja niiden avulla voidaan vertailla työkaluja keskenään.

HUOMAA: Ilmoitettuja kokonaistärinäarvoja voidaan käyttää myös altistumisen alustavaan arviointiin.

VAROITUS: Sähkötyökalun käytön aikana mitattu todellinen tärinäpäästöarvo voi poiketa ilmoitetuista arvoista laitteen käyttötavan ja erityisesti käsiteltävän työkappaleen mukaan.

VAROITUS: Selvitä käyttäjän suojaamiseksi tarvittavat varoimet todellisissa käyttöolosuhteissa tapahtuvan arvioidun altistumisen mukaisesti (ottaen huomioon käyttöjako kokonaisuudessaan, myös jaksot, joiden aikana laite on sammutettuna tai käy tyhjäkäynnillä).

EY-vaatimustenmukaisuusvakuutus

Koskee vain Euroopan maita

EY-vaatimustenmukaisuusvakuutus on liitetty tähän käyttöoppaaseen.

TURVAVAROITUKSET

Akkukäyttöisen pölynimurin turvaohjeet

VAROITUS: LUE HUOLELLISESTI kaikki turvavaroitukset ja käyttöohjeet ENNEN KÄYTTÖÄ. Jos varoitusten ja ohjeiden noudattaminen laiminlyödään, seurauksena voi olla sähköisku, tulipalo ja/tai vakava vammautuminen.

1. Varmista, ennen käyttöä, että tämän imurin käyttäjillä on riittävä käyttökoulutus.
2. Laitteen käyttäjille on annettava kaikki tarvittavat tiedot, opastus ja koulutus laitteen käytöstä ja materiaaleista, joille se on tarkoitettu, sekä turvallisista menetelmistä laitteeseen imettyjen materiaalien poistamiseen ja hävittämiseen.

3. Jos laitteesta vuotaa vaahtoa/nestettä, sammuta laite heti.
4. Puhdista vesimääränrajoitin säännöllisesti ja tutki se mahdollisten vaurioiden varalta.
5. Varmista aina ennen käyttöä, että suodattimet on asennettu oikein. Älä käytä imuria ilman suodattimia. Vaihda vaurioitunut suodatin välittömästi uuteen. Suosittelemme hankkimaan varasuodattimia, koska suodattimet ovat kulutustuotteita.
6. ESTÄ TAHATON KÄYNNISTYMINEN. Varmista, että kytkin on asennossa OFF akun (akkujen) asennuksen aikana.
7. Älä yritä imuroida palavia materiaaleja, ilotulitteita, palavia savukkeita, kuumaa tuhkaa, kuumia metallilastuja ja teräviä materiaaleja, kuten partateriä, neuloja, särkynyttä lasia tms.
8. ÄLÄ KOSKAAN KÄYTÄ IMURIA, JOS LÄHELLÄ ON BENSIINIÄ, KAASUA, MAALIA, LIIMAA TAI MUITA RÄJÄHDYSALTTIITA AINEITA. Kytkimestä lähtee kipinä, kun se kytketään päälle tai pois päältä. Myös moottorin kommutaattori kipinöi käytön aikana. Seurauksena voi olla vaarallinen räjähdys.
9. Älä koskaan imuroi myrkyllisiä, karsinogeenisiä, syttyviä tai muuten haitallisia aineita, kuten asbestia, arsenikkia, bariumia, berylliumia, lyijyä, hyönteismyrkkyjä tai muita terveydelle vaarallisia aineita.
10. Aseta imuri aina tasaiselle vaakapinnalle, jotta se ei pääse kaatumaan tai liikkumaan vahingossa.
11. Älä koskaan käytä imuria ulkona sateella.
12. Suomessa tätä konetta ei pidä käyttää ulkona alhaisissa lämpötiloissa.
13. Älä käytä imuria lämmönlähteiden (uunin tms.) läheisyydessä.
14. Jos poistoilma palautuu huonetilaan, on varmistettava, että huonetilan ilmanvaihto on riittävän tehokas. Katso tarvittaessa lisätietoja kansallisista säädöksistä.
15. Älä tuki imupäätä/puhalluspäätä/jäähdytysaukkoja. Moottori jäähdytetään näiden aukkojen kautta. Ne tulee pitää avoimina, sillä muutoin moottori palaa kiinni puutteellisen ilmanvaihdon takia.
16. Seiso tukevassa asennossa ja säilytä tasapainosi.
17. Älä taita tai kisko letkua äläkä astu sen päälle.
18. Pysäytä imuri heti, jos se ei toimi täydellä teholla tai toimii muuten epänormaalisti.
19. POISTA AKKU (AKUT). Kun imuri ei ole käytössä ennen imurin huoltoa tai sen lisävarusteiden vaihtoa.
20. Puhdista ja huolla imuri aina heti käytön jälkeen, jotta se pysyy hyvässä käyttökunnossa.
21. HUOLLA IMURIA SÄÄNNÖLLISESTI. Pidä imuri puhtaana, jotta sen suorituskyky ja turvallisuus säilyvät. Noudata lisävarusteiden vaihtamista koskevia ohjeita. Pidä kahvat kuivina ja puhtaina öljystä ja rasvasta.
22. TARKISTA, ONKO IMURISSA VAURIOITA. Ennen kuin imurin käyttöä jatketaan, on syytä varmistaa, että suojukset tai muut vaurioituneet osat toimivat tarkoituksensa mukaisella tavalla oikein. Varmista, että liikkuvat osat ovat oikeassa asennoissa ja pääsevät liikkumaan esteettä. Tarkasta myös osien eheys, kiinnitykset sekä muut toimintaan mahdollisesti vaikuttavat seikat. Suojus tai muu vaurioitunut osa tulee viedä valtuutettuun huoltoliikkeeseen korjattavaksi tai vaihdettavaksi, jollei tässä käyttöoppaassa muuta mainita. Vaihdata epäkuntoiset kytkimet valtuutetussa huoltoliikkeessä. Älä käytä imuria, jos sitä ei voi kytkeä päälle tai pois päältä virtakytkimellä.
23. Käyttäjät voivat konetta huoltaessaan purkaa, puhdista ja huoltaa sitä siinä laajuudessa kuin se on käytännössä kohtuullisesti mahdollista niin, ettei näistä toimista aiheudu vaara huolto-omien tekijälle ja sivullisille.
24. Laite tulisi tarkistuttaa vähintään vuosittain valmistajalla tai koulutuksen saaneella henkilöllä niin, että esimerkiksi laitteen suodattimien vaurioaste, laitteen ilmatiiviyys ja ohjausmekanismin oikea toiminto tarkistetaan.
25. Jos likaantuneita osia ei saada puhdistettua tyydyttävää laitetta huollettaessa tai korjattaessa, tällaiset osat on hävitettävä tiiviissä pusseissa kyseisen jätteen hävittämisestä annettujen säädösten mukaisesti.
26. VARAOSAT. Käytä huoltojen yhteydessä ainoastaan alkuperäisiä osia vastaavia varaosia.
27. VARASTOI IMURI, KUN SITÄ EI KÄYTETÄ. Säilytä imuria sisätiloissa, kun sitä ei käytetä.
28. Märät suodattimet ja nestesäiliön sisäosat on kuivattava ennen varastointia.
29. Käsittele imuria varoen. Kovakourainen käsittely voi rikkoa vahvatekoisimmankin imurin.
30. Älä käytä imurin ulko- tai sisäpintojen puhdistamiseen bensiiniä, ohenteita tai puhdistusaineita. Ne voivat aiheuttaa halkeamia tai värjäytyksiä.
31. Älä käytä imuria suljetuissa tiloissa, jossa säilytetään palavia, räjähtäviä tai myrkyllisiä höyryjä tuottavia aineita, kuten öljypohjaisia maaleja, maaliohenteita, bensiiniä ja tiettyjä koinestoaineita tms. Vältä myös tiloja, joissa on tulenarkaa pölyä.
32. Älä käytä tätä laitetta tai muita laitteita lääkkeiden tai alkoholin vaikutuksen alaisena.
33. Käytä aina sivusuojilla varustettuja suojalaseja.
34. Irrota kone pistorasiasta ennen terän vaihtamista, huoltotoimia ja kun sitä ei käytetä.
35. Tämä laite ei ole tarkoitettu sellaisten henkilöiden (lapset mukaan lukien) käytettäväksi, joiden fyysiset, sensoriset tai henkiset kyvyt tai kokemukset tai tiedon puute estävät heitä käyttämästä laitetta turvallisesti.
36. Lapsia tulee valvoa ja varmistaa, etteivät he pääse leikkimään imurilla.
37. Älä koskaan käsittele akkua (akkuja) ja imuria märin käsin.

38. Ole erityisen varovainen portaita siivotessasi.
39. Älä käytä imuria istuimena tai työtasona. Laite voi pudota ja aiheuttaa vammoja.

Akkukäyttöisen työkalun käyttö ja hoito

1. Lataa akku vain valmistajan määrittämällä laturilla. Tietyille akkupaketille sopiva laturi voi aiheuttaa tulipalovaaran, jos sitä käytetään muun-tyyppisen akkupaketin yhteydessä.
2. Käytä sähkötyökaluja vain määritysten mukaisten akkujen kanssa. Muuntyyppisten akkujen käyttäminen voi aiheuttaa loukkaantumista tulipalovaaran.
3. Kun akku ei ole käytössä, säilytä se erillään metalliesineistä, kuten paperiliittimistä, kolikoista, avaimista, nauloista, ruuveista ja muista pienistä metalliesineistä, jotka voivat yhdistää akun navat. Akun napojen oikosulkeminen voi aiheuttaa palovamman tai tulipalon.
4. Akusta voi vuotaa nestettä, jos sitä käsitellään väärin. Vältä kosketusta. Jos nestettä pääsee iholle vahingossa, huuhtelee iho vedellä. Jos nestettä pääsee silmiin, hakeudu lääkärin hoitoon. Ulos purkautunut akkuneste voi ärsyttää ihoa tai aiheuttaa palovammoja.
5. Älä käytä viallista tai muunneltua akkua tai työkalua. Vialliset tai muunnellut akut voivat toimia odottamattomasti aiheuttamalla tulipalo-, räjähdys- tai tapaturmavaaran.
6. Älä altista akkua tai työkalua tulelle tai äärimmäisille lämpötiloille. Altistus tulelle tai yli 130 °C lämpötiloille voi aiheuttaa räjähdyksen.
7. Noudata kaikkia latausohjeita, äläkä lataa akkua tai työkalua ohjeissa määritettyjen lämpötilarajojen ulkopuolella. Väärin tai ohjeissa määritettyjen lämpötilarajojen ulkopuolella suoritettu lataus voi aiheuttaa akkuvaurion ja kasvattaa tapaturmavaaraa.

SÄILYTÄ NÄMÄ OHJEET.

VAROITUS: ÄLÄ anna työkalun helpokäyttöisyyden (toistuvan käytön aikaansaama) johtaa sinua väärään turvallisuuteen tunteeseen niin, että laiminlyöt työkalun turvaohjeiden noudattamisen. VÄÄRINKÄYTTÖ tai tässä käyttöohjeessa ilmoitettujen turvamääräysten laiminlyönti voi aiheuttaa vakavia henkilövahinkoja.

Akkupakettia koskevia tärkeitä turvaohjeita

1. Ennen akun käyttöönottoa tutustu kaikkiin laturissa (1), akussa (2) ja akkukäyttöisessä tuotteessa (3) oleviin varoitusteksteihin.
2. Älä pura tai peukalo imuria akkupakettia. Se voi johtaa tulipaloon, ylikuumentumiseen tai räjähdykseen.
3. Jos akun toiminta-aika lyhenee merkittävästi, lopeta akun käyttö. Seurauksena voi olla ylikuumentuminen, palovammoja tai jopa räjähdys.
4. Jos akkunestettä pääsee silmiin, huuhtelee puhtaalla vedellä ja hakeudu välittömästi lääkärin hoitoon. Akkuneste voi aiheuttaa näön menetyksen.

5. Älä oikosulje akkua.

- (1) Älä koske akun napoihin millään sähköä johtavalla materiaalilla.
- (2) Vältä akun oikosulkemista äläkä säilytä akkua yhdessä muiden metalliesineiden, kuten naulojen, kolikoiden ja niin edelleen kanssa.
- (3) Älä aseta akkua alttiiksi vedelle tai sateelle.

Oikosulku voi aiheuttaa virtapiikin, ylikuumentumista, palovammoja tai laitteen rikkoantumisen.

6. Älä säilytä ja käytä työkalua ja akkupakettia paikassa, jossa lämpötila voi nousta 50 °C:een (122 °F) tai korkeammaksi.
7. Älä hävitä akkua polttamalla, vaikka se olisi pahoin vaurioitunut tai täysin loppuun kulunut. Avotuli voi aiheuttaa akun räjähtämisen.
8. Älä naukaa, leikkaa, purista, heitä tai pudota akkupakettia tai iske sitä kovia esineitä vasten. Tällaiset toimet voivat johtaa tulipaloon, ylikuumentumiseen tai räjähdykseen.
9. Älä käytä viallista akkua.
10. Sisältyviä litium-ioni-akkuja koskevat vaarallisten aineiden lainsäädännön vaatimukset. Esimerkiksi kolmansien osapuolten huolintaliikkeiden tulee kaupallisissa kuljetuksissa noudattaa pakkaamista ja merkintöjä koskevia erityisvaatimuksia. Lähetettävän tuotteen valmistelu edellyttää vaarallisten aineiden asiantuntijan neuvontaa. Huomioi myös mahdollisesti yksityiskohtaisemmat kansalliset määräykset. Akun avoimet liittimet tulee suojata teipillä tai suojuksella ja pakkaaminen tulee tehdä niin, ettei akku voi liikkua pakkauksessa.
11. Kun akkupaketti on hävitettävä, poista se laitteesta ja hävitä se turvallisesti. Hävitä akku paikallisten määräysten mukaisesti.
12. Käytä akkua vain Makitan ilmoittamien tuotteiden kanssa. Akkujen asentaminen yhteensopimattomiin tuotteisiin voi aiheuttaa tulipalon, liiallisen ylikuumentumisen, räjähdyksen tai akkunestevuotoja.
13. Jos laitetta ei käytetä pitkään aikaan, akku on poistettava laitteesta.
14. Akkupaketin lämpötila voi käytön aikana ja sen jälkeen nousta niin kuumaksi, että se voi aiheuttaa palovammoja tai lieviä palovammoja. Käsittele kuumia akkupaketteja huolellisesti.
15. Älä kosketa työkalun liittintä välittömästi käytön jälkeen, sillä se voi olla riittävän kuuma aiheuttamaan palovammoja.
16. Älä päästä lastuja, pölyä tai maata akkupaketin liittimiin, aukkoihin ja uriin. Se voi johtaa työkalun tai akkupaketin lämpenemiseen, syttymiseen, purkautumiseen tai toimintahäiriöön, mikä voi aiheuttaa palovammoja tai vammoja.
17. Ellei työkalu tue käyttöä korkeajännitelinjojen lähellä, älä käytä akkupakettia korkeajännitelinjojen lähellä. Se voi johtaa työkalun tai akkupaketin toimintahäiriöön tai rikkoutumiseen.
18. Pidä akku pois lasten ulottuvilta.

SÄILYTÄ NÄMÄ OHJEET.

⚠HUOMIO: Käytä vain alkuperäisiä Makita-akkuja. Muiden kuin aitojen Makita-akkujen, tai mahdollisesti muutettujen akkujen käyttö voi johtaa akun murtumiseen ja aiheuttaa tulipaloja, henkilö- ja omaisuusvahinkoja. Se mitätöi myös Makita-työkalun ja -laturin Makita-takuun.

Vihjeitä akun käyttöiän pidentämiseksi

1. Lataa akku ennen kuin se purkautuu täysin. Lopeta aina työkalun käyttö ja lataa akku, jos huomaat työkalun tehon vähenevän.
2. Älä koskaan lataa uudestaan täysin ladattua akku. Yli lataaminen lyhentää akun käyttöikää.
3. Lataa akku huoneen lämpötilassa välillä 10 °C - 40 °C. Anna kuumen akun jäähtyä ennen lataamista.
4. Irrota akkupaketti työkalusta tai laturista, kun sitä ei käytetä.
5. Lataa akkupaketti, jos et käytä sitä pitkään aikaan (yli kuusi kuukautta).

Langatonta yksikköä koskevat tärkeät turvallisuusohjeet

1. Älä koskaan avaa itse aukon kantta langattoman yksikön asentamisen jälkeen.
2. Älä pura tai peukaloi langatonta yksikköä.
3. Pidä langaton yksikkö lasten ulottumattomissa. Jos tuote niellään vahingossa, ota välittömästi yhteys lääkäriin.
4. Käytä langatonta yksikköä vain Makitan työkalujen kanssa.
5. Älä altista langatonta yksikköä sateelle tai kosteisiin olosuhteisiin.
6. Älä käytä langatonta yksikköä paikassa, jossa lämpötila voi nousta yli 50 °C.
7. Älä käytä langatonta yksikköä paikassa, jonka läheisyydessä on lääketieteellisiä instrumentteja, kuten sydämentahdistajia jne.
8. Älä käytä langatonta yksikköä paikassa, jonka läheisyydessä on automatisoituja laitteita. Toiminnallisena automatisoidut laitteet voivat aiheuttaa käyttöhäiriöitä tai virheitä.
9. Älä jätä langatonta yksikköä paikkaan, jonka lämpötila on suuri tai jossa voi muodostua staattista sähköä tai sähkökohinahäiriöitä.
10. Langaton yksikkö voi muodostaa käyttäjälle vaarattomia sähkömagneettientäitä (EMF).
11. Langaton yksikkö on tarkkuuslaite. Varo kolhimasta tai pudottamasta langatonta yksikköä.
12. Vältä koskettelomasta langattoman yksikön liitintä paljain käsin tai metallisilla materiaaleilla.
13. Irrota akku laitteesta aina, kun laitteeseen asennetaan langaton yksikkö.
14. Avattaessa uran kantta, vältä paikkoja missä pöly ja vesi voivat päästä uraan. Pidä aina uran aukko puhtaana.
15. Aseta langaton yksikkö aina oikeassa suunnassa.
16. Älä paina langattoman yksikön langatonta aktivointipainiketta liian kovaa ja/tai paina painiketta teräväreunaisilla kohteilla.

17. Sulje aina uran kansi käytön aikana.
18. Älä irrota langatonta yksikköä urasta laitteen virransyötön aikana. Muussa tapauksessa voi seurauksena olla langattoman yksikön käyttöhäiriöitä.
19. Älä irrota langattoman yksikön tarraa.
20. Älä kiinnitä mitään tarroja langattomaan yksikköön.
21. Älä jätä langatonta yksikköä paikkaan, missä on staattista sähköä tai sähkökohinahäiriöitä voi muodostua.
22. Älä jätä langatonta yksikköä äärimmäisiin lämpötiloihin, kuten auton istuimelle auringonpaisteeseen.
23. Älä jätä langatonta yksikköä paikkaan, missä on pölyä tai jauheita tai syövyttäviä kaasuja voi muodostua.
24. Äkillinen lämpötilan vaihtelu voi kostuttaa langattoman yksikön. Älä käytä langatonta yksikköä ennenkuin kaste on täysin kuivunut.
25. Puhdista langaton yksikkö pyyhkimällä se kevyesti kuivalla liinalla. Älä käytä puhdistamiseen bensiiniä, tinneriä, johtavaa rasvaa tai vastaavaa.
26. Säilytä langatonta yksikköä mukana toimittussa kotelossa tai ei staattisessa säilyössä.
27. Älä liitä muita, kuin Makitan langattomia yksiköitä laitteen uraan.
28. Älä käytä laitetta uran kannen ollessa vaurioitunut. Uraan pääsevä vesi, pöly ja lika voivat aiheuttaa käyttöhäiriöitä.
29. Älä vedä ja/tai väännä uran kantta enempää kuin on tarpeen. Aseta kansi takaisin jos se irtoaa laitteesta.
30. Vaihda uran kansi sen ollessa kadonnut tai vaurioitunut.

SÄILYTÄ NÄMÄ OHJEET.

TOIMINTOJEN KUVAUS

⚠HUOMIO: Varmista aina ennen laitteen säätämistä ja tarkastamista, että laite on sammutettu ja akkupaketit irrotettu.

Akun asentaminen tai irrottaminen

⚠HUOMIO: Sammuta laite aina ennen akkupaketin kiinnittämistä tai irrottamista.

⚠HUOMIO: Pidä imurista ja akkupaketista tiukasti kiinni, kun irrotat tai kiinnität akkupakettia. Jos akkupaketti tai imuri putoaa käsistäs, ne voivat vaurioitua tai aiheuttaa loukkaantumisen.

⚠HUOMIO: Varo, etteivät sormesi jää akun suojakannen väliin sen avaamisen tai sulkemisen aikana. Muuten seurauksena voi olla henkilövammoja.

Asenna akkupaketti avaamalla ensin lukko ja sen jälkeen akun suojakansi. Tämän jälkeen aseta akkupaketti paikalleen.

► **Kuva1:** 1. Lukko 2. Akun suojakansi

Sovita akun kielele kotolon uraan ja työntämällä se sitten paikoilleen. Työnnä akku pohjaan asti niin, että kuulet sen napsahtavan paikoilleen. Tämän jälkeen lukitse akun suojakansi.

► **Kuva2:** 1. Akku 2. Painike

Irrota akkupaketti painamalla sen etupuolella olevaa painiketta ja vetämällä akku ulos laitteesta.

⚠️HUOMIO: Asenna akkupaketti aina kunnolla. Muuten se saattaa pudota vahingossa imurista ja aiheuttaa vammoja sinulle tai sivustakatsojille.

⚠️HUOMIO: Älä käytä voimaa akun asennuksessa. Jos akku ei liu'u paikalleen helposti, se on väärässä asennossa.

HUOMAA: Imuri ei toimi yhdellä akulla.

Akun jäljellä olevan varaustason ilmaisimien

Painamalla tarkistuspainiketta saat näkyviin akun jäljellä olevan varauksen. Merkkivalot palavat muutaman sekunnin ajan.

► **Kuva3:** 1. Merkkivalot 2. Tarkistuspainike

Merkkivalot			Akussa jäljellä olevan varaus	
Palaa	Pois päältä	Viikkuu		
■	□	▣	Akussa on saattanut olla toimintahäiriö.	
■ ■ ■ ■				75% - 100%
■ ■ ■ □				50% - 75%
■ ■ □ □				25% - 50%
■ □ □ □				0% - 25%
▣ □ □ □				Lataa akku.
■ ■ □ □			Akussa on saattanut olla toimintahäiriö.	
□ □ ■ ■				

HUOMAA: Ilmoitettu varaustaso voi erota hieman todellisesta varaustasosta sen mukaan, millaisissa oloissa ja missä lämpötilassa laitetta käytetään.

HUOMAA: Ensimmäinen (vasemmanpuoleisin) merkkivalo viikkuu, kun akun suojausjärjestelmä on toiminnassa.

Ohjauspaneelin akun merkkivalot

Jäljellä olevan akkukapasiteetin voi tarkistaa ohjauspaneelista milloin tahansa tarvittaessa. Kun painat tarkistuspainiketta, niin vasemman- ja oikeanpuoleiset merkkivalot ilmaisevat vastaavien puoltien akkujen varaustilat.

► **Kuva4:** 1. Akun vasen merkkivalo 2. Akun oikea merkkivalo 3. Tarkistuspainike

► **Kuva5**

Akun merkkivalon tila			Akussa jäljellä oleva varaus
Päällä	Pois päältä	Viikkuu	
			50% - 100%
			20% - 50%
			0% - 20%
			Lataa akku
			Akkua ei ole asennettu

HUOMAA: Akun merkkivalo toimii, kun kaksi akkua on asennettu.

HUOMAA: Akun merkkivalot aktivoituvat myös, kun imuri alkaa toimia.

Laitteen/akun suojausjärjestelmä

Laitte on varustettu laitteen/akun suojausjärjestelmällä. Tämä järjestelmä pidentää laitteen ja akun käyttöikää katkaisemalla moottorin virran automaattisesti. Laitte pysähtyy automaattisesti kesken käytön, jos laitteessa tai akussa ilmenee jokin seuraavista tilanteista:

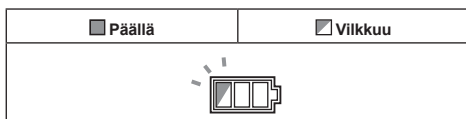
Ylikuormitussuoja

Kun laitetta/akkua käytetään tavalla, joka saa sen kuluttamaan epätavallisen suuren määrän virtaa, laite pysähtyy automaattisesti. Katkaise tässä tilanteessa laitteesta virta ja lopeta ylikuormitustilan aiheuttanut käyttö. Käynnistä sitten laite uudelleen kytkemällä siihen virta.

Ylikuumentussuoja

■ Päällä	▣ Viikkuu

Jos laite on ylikuumentunut, se sammuu automaattisesti ja akun vasen ja oikea merkkivalo viikkuvat. Tässä tapauksessa anna laitteen jäähtyä ja puhdista suodattimet, ennen kuin kytket laitteen uudelleen päälle.



Kun akku ylikuumentuu, laite pysähtyy automaattisesti ja ylikuumentuneen akun merkkivalot vilkkuvat. Tässä tapauksessa anna akun jäähtyä, ennen kuin kytket laitteen uudelleen päälle.

Ylipurkautumissuoja

Kun akkukapasiteetti käy vähiin, laite pysähtyy automaattisesti. Jos laite ei toimi, vaikka kytkintä käytetään, irrota akut laitteesta ja lataa ne.

Suojaus muilta haitallisilta tapahtumilta

Suojausjärjestelmä on suunniteltu suojaamaan laite myös muilta tapahtumilta, jotka voisivat vahingoittaa laitetta, ja pysäyttämään laite automaattisesti tällaisissa tapauksissa. Kun laite tai sen toiminta on pysähtynyt tilapäisesti, poista pysäytyksen syyt seuraavien vaiheiden mukaisesti.

1. Käynnistä laite uudelleen sammuttamalla se ja kytkemällä se sitten uudelleen päälle.
2. Lataa akut tai vaihda ne ladattuihin akkuihin.
3. Anna laitteen ja akkujen jäähtyä.

Jos suojausjärjestelmän nollaaminen ei korjaa tilannetta, ota yhteys paikalliseen Makita-huoltoon.

Kytkimen käyttäminen

Imurin kytkeminen päälle

1. Kytke imuri valmiustilaan kääntämällä valmiustilan kytkin "I" (ON)- tai "AUTO" (ON) -asentoon.
2. Paina virtapainiketta. Kun haluat palata valmiustilaan, paina virtapainiketta uudelleen.

Imurin sammuttaminen

Tee jokin seuraavista toimista.

- Aseta imuri takaisin valmiustilaan painamalla virtapainiketta.
- Käännä valmiustilan kytkin "O" (OFF) -asentoon.

Imutehon säätäminen

Imutehoa voidaan säätää työkohteen mukaan.

- Pienennä imutehoa kääntämällä imutehon säätönuppia vasemmalle.
- Lisää imutehoa kääntämällä imutehon säätönuppia oikealle.

Letkun halkaisijan valitseminen

Käännä letkun halkaisijan valitsin käytettävän letkun halkaisijan kohdalle.

HUOMAA: Älä käännä valitsinta numeroiden väliin. Käännä valitsinta aina letkun halkaisijan mukaisesti.

- **Kuva6:** 1. Valmiustilan kytkin 2. Imutehon säätönuppi 3. Letkun halkaisijan valitsin 4. Virtapainike

HUOMAUTUS: Aseta valmiustilakytkin aina O-asentoon, jos imuria ei käytetä pitkään aikaan. Imuri kuluttaa virtaa valmiustilassa.

Varoitusääni

Äänimerkkejä on kahta tyyppiä. Yksi on lyhyet äänimerkit, toinen jatkuvat äänimerkit.

- Jos ilman virtausnopeus laskee alle 20 m/s, imuri lähettää lyhyitä varoitusäänimerkkejä turvallisuussyistä. Kun äänimerkki kuuluu, tarkista letkun halkaisijan valitsin tai onko imuvoima liian pieni. Jos äänimerkki kuuluu edelleen, suorita huolto tai ota yhteyttä paikalliseen huoltokeskukseen.
- Jos säiliö on täynnä nestettä, imuri lähettää jatkuvia varoitusäänimerkkejä ja pysähtyy automaattisesti. Kun imuri on pysähtynyt, kytke se pois päältä ja tyhjennä säiliö.

Imun automaattikatkaistu märkäimuroinnin aikana

VAROITUS: Älä imuroi vaahtoa tai saippuaneustettä. Se voi aiheuttaa vaahton tulemistä ulos ilmanpoistaukosta. Käytön jatkaminen tällaisissa olosuhteissa voi aiheuttaa sähköiskun ja imurin rikkoutumisen.

Imurissa on mekanismi, joka estää vettä pääsemästä moottoriin, kun imuroidaan enemmän kuin tietty määrä vettä. Jos säiliö on täynnä nestettä, imuri lähettää jatkuvia varoitusäänimerkkejä ja pysähtyy automaattisesti. Kun imuri on pysähtynyt, kytke se pois päältä ja tyhjennä säiliö.

Suodattimien puhdistusjärjestelmä

Laitteessa on suodattimien puhdistusjärjestelmä. Laitteen käytön aikana suodattimien puhdistusjärjestelmä toimuttaa suodattimet automaattisesti, jotta imuteho ei heikkene suodatinten tukkeutumisen takia.

Jos laite imee paljon pölyä kerralla, imuteho saattaa laskea. Tällöin suodattimet kannattaa puhdistaa manuaalisesti.

1. Sammuta laite.
 2. Aseta imuteho maksimiin ja sulje sitten imuletkun aukko kämmenellä.
 3. Käynnistä laite ja käytä sitä noin 15 sekuntia imuletkun aukko suljettuna.
- **Kuva7:** 1. Imuletkun aukko

HUOMAA: Ilman tilavuus saattaa muuttua, kun suodattimien puhdistusjärjestelmä on aktiivinen, mutta se ei ole toimintahäiriö.

Veden tyhjentäminen

Kun säiliö on täynnä nestettä, sammuta imuri ja tyhjennä säiliö avaamalla veden tyhjennyskupu.

- **Kuva8:** 1. Veden tyhjennyskupu

Kupu

Kupu toimitetaan laitteen mukana. Kuvun kiinnittäminen letkun liitäntäaukkoon estää imuroidun pölyn pääsemisen pois imurista.

- **Kuva9:** 1. Kupu

Pyörien lukitseminen ja avaaminen

Etupyörät voidaan lukita pysäyttimillä, jotta imuri pysyy paikallaan.

Lukitse pyörä painamalla pysäytinvipu alas käsin ja vapauta pyörä nostamalla pysäytinvipu.

- **Kuva10:** 1. Pyörä 2. Pysäytinvipu 3. VAPAA asento 4. LUKITTU asento

HUOMAA: Varmista, että pyörä ei ole lukittu, kun liikutat imuria. Imurin liikuttaminen pyörän ollessa lukittuna voi vaurioittaa pyörää.

Kantokahva

▲HUOMIO: Toimi huolellisesti, kun nostat laitteen ja kannat sitä. Muutoin seurauksena voi olla henkilövamma tai laitteen vaurioituminen.

Kun kannat imuria, kannata sitä sen pääyksikössä olevasta kahvasta. Kahvan voi taittaa alas pääyksikköön, kun sitä ei käytetä.

- **Kuva11**

Jos laitteen kantaminen yksin on vaikeaa, käytä kantamiseen kahta henkilöä kuvan mukaisesti.

- **Kuva12**

- **Kuva13**

KOKOONPANO

▲VAROITUS: Yksikkö saattaa sisältää vaarallista pölyä. Käytä aina P2-hengityssuojainta, kun vaihdat suodatinelementtejä ja pölypussin tai teet huoltotöitä.

▲HUOMIO: Varmista aina ennen mitään laitteelle tehtäviä toimenpiteitä, että laite on sammutettu ja akkupaketit irrotettu.

Suodatinpussin asentaminen ja hävittäminen

▲VAROITUS: Käytä aina P2-hengityssuojainta.

▲VAROITUS: Varmista ennen suodatinpussin käyttämistä, että sen kanssa käytetään suodatinyksikköä. Jos sen kanssa ei käytetä suodatinyksikköä, seurauksena voi olla epätavallista ääntä ja kuumuutta, josta seuraa tulipalo.

▲VAROITUS: Kun laitetta käytetään pölyluokan M laitteena, käytä aina suodatinpussia.

HUOMAUTUS: Älä koskaan ime vettä, muita nesteitä tai märkää pölyä suodatinpussia käytettäessä. Tällaisten aineiden imeminen saattaa rikkoa suodatinpussin.

1. Vapauta lukituskoukuk ja nosta pääyksikkö irti säiliöstä.

- **Kuva14:** 1. Lukituskoukku

2. Taita suodatinpussi auki.

3. Kohdistaa suodatinpussin aukko säiliön pölynottoon.

4. Aseta suodatinpussin pahvi työkalun päälle niin, että se on päädyssä rajoitinulkoneman takana.

- **Kuva15:** 1. Suodatinpussi 2. Aukollinen pahvi 3. Suodatinpussin pidin 4. Imuaukko 5. Kulma

Kun hävität suodatinpussin, vedä sen suun kulmaa niin, että paperi sulkee reunan.

Muovipussin asentaminen

Lisävaruste

Aseta muovipussi säiliön päälle ja ujuta pussin avoimen pään toinen reuna pidikelevyn ja säiliön etuseinän väliin.

Levitä sitten pussin muita yläkulmia ulospäin säiliön yläreunojen yli.

Suodatinpussin kanssa voidaan käyttää polyeteenipussia.

- **Kuva16:** 1. Pidikelevy 2. Säiliön etuseinä 3. Muovipussi

HUOMAA: Kaupasta saatavaa polyeteenipussia voidaan käyttää. Suositeltava paksuus on yli 0,04 mm ja kehä yli 2 000 mm.

HUOMAA: Liian suuri määrä pölyä saa polyeteenipussin repeämään helposti, joten älä täytä pussia liikaa. Painavan pussin hävittäminen saattaa rasittaa kehoa.

Muovipussillisen säiliön tyhjentäminen

▲VAROITUS: Varmista aina ennen säiliön tyhjentämistä, että imuri on sammutettu ja akkupaketit irrotettu. Muutoin seurauksena voi olla sähköisku ja vakava henkilövahinko.

HUOMAUTUS: Tyhjennä säiliö vähintään kerran päivässä imurin säiliöön kerääntyvän pölyn määrästä riippumatta. Muutoin imuteho heikkenee ja moottori voi vaurioitua.

HUOMAUTUS: Älä pidä kiinni lukituskoukuista, kun tyhjennät säiliötä. Pitäminen kiinni lukituskoukuista voi aiheuttaa niiden murtumisen.

1. Vapauta lukituskoukuk ja nosta pääyksikkö irti säiliöstä.

2. Ota polyeteenipussi pois säiliöstä ja sulje pussin suu kädellä.

- **Kuva17:** 1. Polyeteenipussi 2. Säiliö

HUOMAA: Nosta muovipussi säiliöstä varovasti, jotta säiliön reunat eivät rei'itä ja revi pussia.

HUOMAA: Tyhjennä muovipussi sen ollessa täynnä. Muovipussi voi repeytyä, jos säiliössä on liikaa pölyä.

Letkun asentaminen

HUOMAUTUS: Älä koskaan taivuta tai tallo letkua. Älä koskaan liikuta imuria letkusta vetämällä. Vääntäminen, tallominen tai vetäminen voi aiheuttaa letkuvaurioita.

HUOMAUTUS: Jos imuroit suurikokoisia roskia, kuten höylän lastuja, betonimurusia tai muuta vastaavaa, käytä sisähalkaisijaltaan 38 mm:n letkua (lisävaruste). Jos käytät sisähalkaisijaltaan 28 mm:n letkua (lisävaruste), se voi mennä tukkoon ja vaurioitua.

HUOMAUTUS: Aseta kupu kiinnitysaukon päälle aina, kun irrotat letkun imurista.

Kytkeminen imuriin

Poista kupu kiinnitysaukosta. Kupua voidaan säilyttää imurin takaosassa, kun imuriin on liitetty letku.

► **Kuva18:** 1. Kupu

Aseta letkun pää imurin imuaukkoon (letkuliitäntään) ja käännä letkun päästä sitten myötöpäivään niin, että se lukittuu paikalleen.

► **Kuva19:** 1. Letku 2. Imuaukko (letkuliitäntä)

Kytkeminen työkaluihin (Maakohtainen)

Pölynimurin voi kytkeä sen kanssa yhteensopiviin työkaluihin, jolloin imuria voi käyttää näiden sähkötyökalujen käytössä syntyvän pölyn poistamiseen.

Valitse työkalusi mallille parhaiten sopiva sovitinkappale tai liitinosa (valinnaisia lisävarusteita). Aseta sovitinkappaleet tai liitinosat tarvittaessa imurin letkun etupään ja työkalusi pölynpoistoliittimen väliin.

► **Kuva20:** 1. Sovitinkappaleet tai liitinosat 2. Imurin letku 3. Sähkötyökalu 4. Pölynimuri

Imurilisävarusteiden asentaminen ja irrotus

HUOMIO: Tarkista lisävarusteen asentamisen jälkeen, että se on kiinnitetty pitävästi. Jos lisävaruste on kiinnitetty huolimattomasti, se voi irrota ja aiheuttaa henkilövamman.

Lukitustoiminnottoman lisävarusteen käyttö

Lisävaruste

Asenna lisävaruste imuriin työntämällä se imupäähän ja kääntämällä se paikalleen.

Käännä lisävaruste auki ja vedä se irti imupäältä käsin, kun sitä ei enää tarvita.

► **Kuva21**

MAKPACin asentaminen

Lisävaruste

HUOMIO: Älä seiso tai istu laitteen päällä. Se saattaa kaatua epävakaisuuden takia.

HUOMIO: Toimi varovasti asentaessasi MAKPACia. Muuten seurauksena voi olla henkilövahinkoja tai laitteen vaurioituminen.

HUOMIO: Kun laitteeseen on asennettu MAKPAC, älä nosta laitetta MAKPACin kahvasta.

HUOMIO: Kun siirretään laitetta, johon on asennettu MAKPAC, älä työnnä MAKPACia vaan laitteen runkoa. MAKPACin työntäminen saattaa rikkoa salvat ja saada MAKPACin putoamaan, mistä saattaa seurata henkilövahinkoja.

Imurin päälle voidaan asentaa kytkettäviä ja pinottavia MAKPAC-säilytyskoteloita. Koteloita on saatavana eri kokoisina ja eri tyylinä mieltymistesi mukaan.

1. Taita imurin yläosassa olevat salvat auki.

► **Kuva22:** 1. Salpa

2. Asenna MAKPAC-kotelo imurin päälle ja kiinnitä se salvoilla.

► **Kuva23:** 1. Salpa 2. MAKPAC

Asennettavan MAKPAC-kotelon suurin sallittu korkeus on 315 mm ja paino 20 kg.

► **Kuva24**

TYÖSKENTELY

VAROITUS: Käytä aina P2-luokan hengityssuojainta.

HUOMIO: Jos työkalusta tulee vaahtoa tai nestettä, sammuta se välittömästi. Käytön jatkaminen tällaisissa olosuhteissa voi aiheuttaa sähköiskun ja imurin rikkoutumisen.

LANGATON AKTIVOINTITOIMINTO

Lisävaruste

Mitä langattomalla aktivointitoiminnolla voi tehdä

Langaton aktivointitoiminto mahdollistaa puhtaan ja miellyttävän käyttötoiminnan. Liittämällä tuettu laite imuriin, voit käyttää imuria automaattisesti yhdessä laitteen kytkintöiminnon kanssa.

► **Kuva25**

HUOMAUTUS: Katso lisätietoja laitteen käyttöohjeesta käytettäessä imuria langattoman aktiivitoiminnon kanssa.

HUOMAUTUS: Älä pura tai peukaloi langatonta yksikköä.

HUOMAUTUS: Jotta langattoman yksikön uraan ei pääsisi pölyä, sulje kansi aina varmasti käytön ja varastoinnin ajaksi.

HUOMAUTUS: Älä paina langatonta aktiivointipainiketta liian kovaa ja/tai paina painiketta terä-väreunaisilla kohteilla.

HUOMAA: Makitan laitteiden täytyy olla varustettu langattomalla yksiköllä langatonta aktiivointia varten.

HUOMAA: Laiterekisteröinti on suoritettava ennen jokaisen laitteen ensimmäistä langatonta aktiivointitoimintaa. Kun laiterekeröinti on valmis, uudelleenrekisteröintiä ei tarvita ellei sitä ole peruutettu.

HUOMAA: Varmista ennen rekisteröintiä, että langaton yksikkö on asetettu oikein paikalleen.

HUOMAA: Yhden langattoman yksikön voi rekisteröidä linkitetyksi enintään 10 muun langattoman yksikön kanssa. Jos yhteen langattomaan yksikköön rekisteröidään yli 10 muuta langatonta yksikköä, ensimmäisenä rekisteröidyn yksikön rekisteröinti peruutetaan automaattisesti.

HUOMAA: Langattoman aktiivointipainikkeen asento vaihtelee laitteesta riippuen.

HUOMAA: Imuri käynnistyy myös painamalla virtapainiketta valmiustilan kytkimen ollessa asetettu asentoon "AUTO". Virtapainike ei kuitenkaan toimi, jos langatonta aktiivointitoimintaa on käytetty.

Langattoman yksikön asennus

VAROITUS: Avaa kansi vain asentaessasi langattoman yksikön ensimmäisen kerran. Älä koskaan avaa kantta sen asentamisen jälkeen.

HUOMIO: Aseta imuri tasaisen ja vakaan pinnan päälle langattoman yksikön asennuksen ajaksi.

HUOMAUTUS: Puhdista imurista pöly ja lika ennen langattoman yksikön asentamista. Pöly ja lika voivat aiheuttaa käyttöhäiriöitä päästessään langattoman yksikön uraan.

HUOMAUTUS: Staattisuudesta aiheutuvien käyttöhäiriöiden estämiseksi kosketa staattisen varauksen purkavaa materiaalia, kuten metalliosaa, ennen kuin tartut langattomaan yksikköön.

HUOMAUTUS: Varmista aina langattoman yksikön asennuksen aikana, että langaton yksikkö on liitetty oikeassa suunnassa ja kansi on suljettu täysin kiinni.

1. Avaa imurin kansi löysäämällä ruuvia kuvan mukaisesti.
► **Kuva26:** 1. Kansi 2. Ruuvi

2. Aseta langaton yksikkö aukkoon.

Langattoman yksikön liittämisen aikana kohdista kielekkeet uran loviosioihin.

► **Kuva27:** 1. Langaton yksikkö 2. Kieleke 3. Kansi 4. Loviosio

3. Sulje kansi kiertämällä ruuvi kiinni.

Laitteen rekisteröinti imurille

HUOMAA: Makita laite tukee langatonta aktiivointitoimintaa, joka vaaditaan laiterekeröintiä varten.

HUOMAA: Viimeistelee langattoman yksikön asennus laitteeseen ennen laiterekeröintiä aloittamista.

HUOMAA: Älä paina laitteen liipaisinkytkintä tai aseta imurin virtakytkintä päälle laiterekeröintiä aikana.

HUOMAA: Katso lisätietoja myös laitteen käyttöohjeesta.

Jos haluat aktivoita imurin yhdessä laitteen kytkintoiminnon kanssa, viimeistelee laiterekeröintiä ensin.

1. Asenna langattomat yksiköt sekä imuriin että laitteeseen.
2. Asenna akut imuriin ja laitteeseen.
3. Aseta imurin valmiustilan kytkin asentoon "AUTO".
► **Kuva28:** 1. Valmiustilan kytkin

4. Paina imurin langatonta aktiivointipainiketta noin 3 sekunnin ajan, kunnes langattoman aktiivoinnin merkkivalo vilkkuu vihreänä. Ja tämän jälkeen paina laitteen langatonta aktiivointipainiketta samalla tavalla.

- **Kuva29:** 1. Langaton aktiivointipainike
2. Langattoman aktiivoinnin merkkivalo

Jos imuri ja laite kytketään oikein, langattoman aktiivoinnin merkkivalo palaa vihreänä 2 sekunnin ajan ja vilkkuu tämän jälkeen sinisenä.

HUOMAA: Langattoman aktiivoinnin merkkivalo lopettaa vilkkumisen vihreänä 20 sekunnin kuluttua. Paina laitteen langatonta aktiivointipainiketta samalla kun imurin langattoman aktiivoinnin merkkivalo vilkkuu. Jos langattoman aktiivoinnin merkkivalo ei vilku vihreänä, paina langatonta aktiivointipainiketta lyhyesti ja pidä sitä painettuna alas.

HUOMAA: Suoritettaessa kaksi tai useampaa laiterekeröintiä imurille, lopeta laiterekeröinti yksi kerrallaan.

Langattoman aktiivointitoiminnon aloitus

HUOMAA: Viimeistelee laiterekeröinti imurille ennen langatonta aktiivointia.

HUOMAA: Sijoita imuri aina niin, että voit nähdä langattoman aktiivoinnin merkkivalon tilan.

HUOMAA: Katso lisätietoja myös laitteen käyttöohjeesta.

Kun laite on rekisteröity imurille, imuri toimii automaattisesti yhdessä laitteen kytkintoiminnon kanssa.

1. Asenna langattomat yksiköt sekä imuriin että laitteeseen.
2. Asenna akut imuriin ja laitteeseen.
3. Kiinnitä imurin letku laitteeseen.
► **Kuva30**
4. Aseta imurin valmiustilan kytkin asentoon "AUTO".
► **Kuva31:** 1. Valmiustilan kytkin

5. Paina laitteen langatonta aktiivointipainiketta lyhyesti. Langattoman aktiivoinnin merkkivalo vilkkuu sinisenä.

- **Kuva32:** 1. Langaton aktiivointipainike
2. Langattoman aktiivoinnin merkkivalo

6. Kytke laite päälle. Tarkista, pyöriikö imuri laitteen toimiessa.

⚠HUOMIO: Tarkista langattoman aktiivoinnin toiminta aina ennen laitteen käytön aloittamista.

Lopeta langaton aktiivointi painamalla laitteen langatonta aktiivointipainiketta, tai asettamalla imurin valmiustilan kytkin asentoon "I" tai "O".

HUOMAA: Laitteen langattoman aktiivoinnin merkkivalo lopettaa vilkkumisen sinisenä, jos mitään toimintoa ei ole suoritettu 2 tunnin aikana. Tässä tapauksessa aseta imurin valmiustilan kytkin asentoon "AUTO" ja paina uudelleen laitteen langatonta aktiivointipainiketta.

HUOMAA: Imuri käynnistyy/sammuu viiveellä. Käytössä on aikaviive kun imuri tunnistaa laitteen kytkintoinnin.

HUOMAA: Langattoman yksikön lähetyskäyttö voi vaihdella riippuen sijainnista ja ympäristön olosuhteista.

HUOMAA: Jos yhdelle imurille on rekisteröity kaksi tai useampia laitteita, imuri voi käynnistyä, vaikka laitteeseen ei kytkettäisikään virtaa, koska toinen henkilö käyttää langatonta aktiivointitoimintaa.

Laiterekisteröinnin peruutus imurille

Suorita seuraavat toimenpiteet peruuttaessasi laitererekisteröinnin imurille.

1. Asenna langattomat yksiköt sekä imuriin että laitteeseen.
2. Asenna akut imuriin ja laitteeseen.
3. Aseta imurin valmiustilan kytkin asentoon "AUTO".

► **Kuva33:** 1. Valmiustilan kytkin

4. Paina imurin langatonta aktiivointipainiketta 6 sekunnin ajan. Langattoman aktiivoinnin merkkivalo vilkkuu vihreänä ja tämän jälkeen punaisena. Tämän jälkeen paina laitteen langatonta aktiivointipainiketta samalla tavalla.

- **Kuva34:** 1. Langaton aktiivointipainike
2. Langattoman aktiivoinnin merkkivalo

Jos peruutus suoritetaan oikein, langattoman aktiivoinnin merkkivalo palaa punaisena 2 sekunnin ajan ja vilkkuu tämän jälkeen sinisenä.

HUOMAA: Langattoman aktiivoinnin merkkivalo lopettaa vilkkumisen punaisena 20 sekunnin kuluttua. Paina laitteen langatonta aktiivointipainiketta samalla kun imurin langattoman aktiivoinnin merkkivalo vilkkuu. Jos langattoman aktiivoinnin merkkivalo ei vilku punaisena, paina langatonta aktiivointipainiketta lyhyesti ja pidä sitä painettuna alas.

Kaikkien laiterekeröintien poistaminen

Voit poistaa kaikki laiterekeröinnit imurista seuraavalla tavalla.

► **Kuva35:** 1. Valmiustilan kytkin 2. Langaton aktiivointipainike 3. Langattoman aktiivoinnin merkkivalo











1. Aseta langaton yksikkö imuriin.
2. Asenna akut imuriin.
3. Aseta valmiustilan kytkin asentoon "AUTO".
4. Pidä langatonta aktiivointipainiketta painettuna noin 6 sekunnin ajan, kunnes langattoman aktiivoinnin merkkivalo vilkkuu punaisena (noin kaksi kertaa sekunnissa).
5. Kun langattoman aktiivoinnin merkkivalo aloittaa vilkkumisen punaisena, vapauta langaton aktiivointipainike. Tämän jälkeen pidä langatonta aktiivointipainiketta uudelleen painettuna noin 6 sekunnin ajan.
6. Kun langattoman aktiivoinnin merkkivalo aloittaa nopean vilkkumisen (noin 5 kertaa sekunnissa) punaisena, vapauta langaton aktiivointipainike. Kun langattoman aktiivoinnin merkkivalo palaa punaisena ja sammuu myöhemmin, kaikki laiterekeröinnit on poistettu.

HUOMAA: Jos langattoman aktiivoinnin merkkivalo ei vilku punaisena, paina langatonta aktiivointipainiketta lyhyesti ja yritä uudelleen.

Langattoman aktiivoinnin merkkivalon tilan kuvaus

- **Kuva36:** 1. Langaton aktiivointipainike
2. Langattoman aktiivoinnin merkkivalo

Langattoman aktiivoinnin merkkivalo osoittaa langattoman aktiivointitoiminnon tilan. Katso merkkivalon tilaa koskeva tarkoitus alapuolella olevasta taulukosta.

Tila	Langattoman aktiivoinnin merkkivalo				Kuvaus
	Väri	 Päällä	 Viikkuu	Kesto (noin)	
Valmiustila	Sininen			Imuri: jatkuva Laitte: 2 tuntia	Odottaa laiterekisteröintiä tai kun langaton aktiivointitoiminto on käytettävissä. Imurin merkkivalo vilkkuu, jos valmiustilan kytkin on asetettu asentoon AUTO. Laitteen merkkivalo vilkkuu, jos langatonta aktiivointipainiketta on painettu. Laitteen merkkivalo sammuu automaattisesti jos mitään toimintoa ei ole suoritettu 2 tunnin aikana.
				Kun laite on käynnissä.	Imurin langaton aktiivointi on käytettävissä ja laite on käynnissä.
Laiterekisteröinti	Vihreä			20 sekuntia	Valmis laiterekisteröintiä varten. Etsii rekisteröitävää laitetta.
				2 sekuntia	Laiterekisteröinti on valmis. Langattoman aktiivoinnin merkkivalo vilkkuu sinisenä.
Laiterekisteröinnin peruutus/poistaminen	Punainen			20 sekuntia	Valmis laiterekisteröinnin peruutukseen. Etsii peruutettavaa laitetta.
			(hidas: 2 kertaa/ sekunnissa)	Jos langatonta aktiivointipainiketta on painettu.	Valmis kaikkien laiterekisteröintien poistamiseen.
			(nopea: 5 kertaa/ sekunnissa)	2 sekuntia	Laiterekisteröinti on peruutettu/poistettu. Langattoman aktiivoinnin merkkivalo vilkkuu sinisenä.
Muut	Punainen			3 sekuntia	Langattomalle yksikölle syötetään virtaa ja langaton aktiivointitoiminto käynnistyy.
	Pois päältä	-		-	Valmiustilan kytkintä ei ole asetettu asentoon "AUTO".

Langattoman aktivointitoiminnon vianetsintä

Tarkista laite ensin itse, ennen kuin viet sen korjattavaksi. Jos ongelmaan ei löydy ratkaisua käyttöoppaasta, älä kuitenkaan yritä purkaa työkalua osiin. Ota sen sijaan yhteyttä Makita-huoltooliikkeeseen. Käytä korjaamiseen aina alkuperäisiä Makita-varaosia.

Epänormaali tila	Todennäköinen syy (toimintahäiriö)	Korjaus
Langattoman aktivoinnin merkivalo ei pala/vilku.	Langatonta yksikköä ei ole asennettu imuriin ja/tai laitteeseen. Langaton yksikkö on asennettu virheellisesti imuriin ja/tai laitteeseen.	Asenna langaton yksikkö oikein.
	Laitteen langatonta aktivointipainiketta ei ole painettu.	Paina laitteen langatonta aktivointipainiketta lyhyesti.
	Imurin valmiustilan kytkintä ei ole asetettu asentoon "AUTO".	Aseta imurin valmiustilan kytkin asentoon "AUTO".
	Ei virransyöttöä	Syötä virtaa laitteelle ja imurille.
Laiterekisteröintiä/laiterekisteröinnin peruutusta ei voi viimeistellä oikein.	Langatonta yksikköä ei ole asennettu imuriin ja/tai laitteeseen. Langaton yksikkö on asennettu imuriin ja/tai laitteeseen virheellisesti.	Asenna langaton yksikkö oikein.
	Imurin valmiustilan kytkintä ei ole asetettu asentoon "AUTO".	Aseta imurin valmiustilan kytkin asentoon "AUTO".
	Ei virransyöttöä	Syötä virtaa laitteelle ja imurille.
	Virheellinen toiminta	Paina langatonta aktivointipainiketta lyhyesti ja suorita laiterekisteröinti-/peruutustoiminnot uudelleen.
	Laite ja imuri ovat kaukana toisistaan (lähetyalueen ulkopuolella).	Siirrä laite ja imuri lähemmäksi toisiaan. Maksimilähetysetäisyys on noin 10 m, mutta se voi kuitenkin vaihdella olosuhteista riippuen.
	Ennen laiterekisteröinnin/peruutuksen viimeistelemistä; - laitteen kytkin on kytketty päälle tai; - imurin virtakytkin on kytketty päälle.	Paina langatonta aktivointipainiketta lyhyesti ja suorita laiterekisteröinti-/peruutustoiminnot uudelleen.
	Laiterekisteröintiä laitteelle tai imurille ei ole viimeistelty.	Suorita laiterekisteröinti sekä laitteelle että imurille samanaikaisesti.
	Muiden laitteiden aiheuttama radiohäiriö voi muodostaa erittäin voimakkaita radioaaltoja.	Pidä laite ja imuri kaukana laitteista, kuten Wi-Fi-laitteet ja mikroaaltouunit.
Imuri ei toimi yhdessä laitteen kytkin-toiminnon kanssa.	Langatonta yksikköä ei ole asennettu imuriin ja/tai laitteeseen. Langaton yksikkö on asennettu virheellisesti imuriin ja/tai laitteeseen.	Asenna langaton yksikkö oikein.
	Laitteen langatonta aktivointipainiketta ei ole painettu.	Paina langatonta aktivointipainiketta lyhyesti ja varmista, että langattoman aktivoinnin merkivalo vilkkuu sinisenä.
	Imurin valmiustilan kytkintä ei ole asetettu asentoon "AUTO".	Aseta imurin valmiustilan kytkin asentoon "AUTO".
	Yli 10 laitetta on rekisteröity imurille.	Suorita laiterekisteröinti uudelleen. Jos yli 10 laitetta on rekisteröity imurille, aikaisemmin rekisteröity laite peruutetaan automaattisesti.
	Imuri poistaa kaikki laiterekisteröinnit.	Suorita laiterekisteröinti uudelleen.
	Ei virransyöttöä	Syötä virtaa laitteelle ja imurille.
	Laite ja imuri ovat kaukana toisistaan (lähetyalueen ulkopuolella).	Siirrä laite ja imuri lähemmäksi toisiaan. Maksimilähetysetäisyys on noin 10 m, mutta se voi kuitenkin vaihdella olosuhteista riippuen.
	Muiden laitteiden aiheuttama radiohäiriö voi muodostaa erittäin voimakkaita radioaaltoja.	Pidä laite ja imuri kaukana laitteista, kuten Wi-Fi-laitteet ja mikroaaltouunit.
Imuri pyörii, vaikka laite ei toimi.	Muut käyttäjät käyttävät imurin langatonta aktivointia heidän laitteillaan.	Katkaise muiden laitteiden langaton aktivointipainike tai peruuta muiden laitteiden laiterekisteröinti.

Epänormaali tila	Todennäköinen syy (toimintahäiriö)	Korjaus
Imurissa olevia laiterekisteröintejä ei voi poistaa.	Paina laitteen langatonta aktiivointipainiketta.	Paina imurin langatonta painiketta kaikkien laiterekisteröintien poistamiseksi.
	Imurin valmiustilan kytkintä ei ole asetettu asentoon "AUTO".	Aseta imurin valmiustilan kytkin asentoon "AUTO".
	Langatonta aktiivointipainiketta ei ole pidetty oikein painettuna.	Pidä langatonta aktiivointipainiketta painettuna uudelleen yli 6 sekunnin ajan ja vapauta se, kun langattoman aktiivoinnin merkivalo vilkkuu punaisena. Pidä langatonta aktiivointipainiketta painettuna uudelleen yli 6 sekunnin ajan, kunnes langattoman aktiivoinnin merkivalo vilkkuu nopeasti punaisena ja vapauta painike tämän jälkeen.

KUNNOSSAPITO

VAROITUS: Käytä aina P2-hengityssuojainta huoltotöiden aikana.

HUOMIO: Varmista aina ennen tarkastusta tai huoltoa, että laite on sammutettu ja akkupaketit irrotettu.

HUOMIO: Koulutetun henkilön tulee suorittaa tekninen tarkastus, suodattimien, ilmatiiviiden ja ohjausmekanismien tarkastus mukaan lukien, vähintään kerran vuodessa.

HUOMIO: Kaikki likaantuneet osat, joita ei voida puhdistaa riittävästi, täytyy hävittää huollon aikana. Tällaiset osat tulee hävittää oman maasi määräysten mukaisissa läpäisemättömissä pusseissa.

HUOMIO: Vaarallisella alueella työskentelyn jälkeen työkalun ulkopuoli tulee puhdistaa alipaine puhdistusmenetelmillä ja pyyhkimällä puhtaaksi tai käsiteltävä tiivistysaineella ennen työkalun viemistä pois vaaralliselta alueelta. Kaikkia työkalun osia tulee pitää saastuneina, kun se viedään pois vaaralliselta alueelta, ja asianmukaisesti toimitin tulee ryhtyä pölyn leviämisen estämiseksi.

HUOMIO: Vaihda suodattimet, jos ne ovat tukkeutuneet pölystä tai jos imurin suorituskyky vaikuttaa alentuneen.

HUOMIO: Tarkista suodattimet säännöllisesti. Jos suodattimissa on repeämä, vaihda ne välittömästi.

HUOMAUTUS: Älä koskaan käytä bensiiniä, ohenteita, alkoholia tai tms. aineita. Muutoin pinta voi halkeilla tai sen värit ja muoto voivat muuttua. Muutoin laitteeseen voi tulla värjäytyimiä, muodon vääristymiä tai halkeamia.

Tuotteen TURVALLISUUDEN ja LUOTETTAVUUDEN takaamiseksi korjaukset, muut huoltotyöt ja säädöt on teetettävä Makitan valtuutetussa huoltopisteessä Makitan varaosia käyttäen.

Suodatinyksikön irrottaminen

HUOMIO: Odota noin 5 minuuttia, jotta säiliössä oleva pöly on laskeutunut kokonaan.

HUOMIO: Huolehdi siitä, ettei säiliön suojuksen sisälle pääse pölyä, kun irrotat suodatinyksikköä.

Suodatinyksikkö on kiinnitetty pääyksikköön. Siinä on ylälevy, esisuodattimet, vaimentimet ja jauhesuodattimet.

1. Vapauta lukituskoukut ja nosta pääyksikkö irti säiliöstä.
2. Irrota suodatinyksikkö pääyksiköstä kuvan mukaisesti.

► **Kuva37:** 1. Salpa 2. Suodatinyksikkö

Jauhesuodattimen ja esisuodattimen irrottaminen

Nosta nuppi ylös ja irrota suodattimet ylälevystä.

► **Kuva38:** 1. Ylälevy 2. Suodattimet 3. Nuppi

Jotta ilmaan ei pääsisi pölyä, suodattimet kannattaa irrottaa polyeteenipussissa.

Kun kannat suodatinyksikköä puhdistusta varten, sulje polyeteenipussi kunnolla.

► **Kuva39:** 1. Suodatinyksikkö 2. Polyeteenipussi

► **Kuva40:** 1. Ylälevy 2. Suodattimet
3. Polyeteenipussi

Jauhesuodattimen, esisuodattimen ja vaimentimen puhdistaminen

Puhdista suodattimet ja vaimennin silloin tällöin.

Tukkeutuneet suodattimet ja vaimennin voivat heikentää imutehoa.

Poista kertynyt pöly säännöllisesti suodattimista ja vaimentimesta.

Pese jauhesuodatin, esisuodatin ja vaimennin aika ajoin vedellä, huuhtele ja kuivaa huolellisesti varjossa ennen käyttöä. Älä koskaan pese niitä pesukoneessa.

► **Kuva41**

HUOMAA: Älä hierrä tai naarmuta jauhesuodatinta, esisuodatinta tai vaimenninta karkeilla harjoilla tai muilla vastaavilla.

HUOMAA: Suodattimet kuluvat ajan kuluessa. Suosittelemme hankkimaan varasuodattimia kuluneiden tilalle.

Jauhesuodattimen ja esisuodattimen asentaminen

HUOMAUTUS: Jauhesuodatin ja esisuodatin voivat imeä sekä kuivaa että märkää pölyä. Varmista jauhesuodattimen rikkoutumisen välttämiseksi, että veden tasoanturit aktivoituvat asianmukaisesti.

Kiinnitä suodatinyksikön kulmat ylälevyyn ja laske nuppi alas.

► **Kuva42:** 1. Kulma 2. Nuppi

HUOMAUTUS: Ennen kuin käytät jauhesuodatinta, varmista, että esisuodatin ja vaimennin ovat molemmat asennettuina. Älä asenna pelkkää jauhesuodatinta.

Suodattimien kokoaminen

Jos suodattimet toimitetaan erillisinä, kokoa ne kuvan mukaisesti.

► **Kuva43:** 1. Jauhesuodatin 2. Vaimennin 3. Esisuodatin

Suodatinyksikön asentaminen

Kun suodattimet on asennettu ylälevyyn, kiinnitä suodatinyksikön reiät sisäsuojuksen U:n muotoisiin osiin. Lukitse sitten salpa kuvan mukaisesti.

► **Kuva44:** 1. U:n muotoinen osa 2. Reikä 3. Salpa

Vesisuodattimen asentaminen

Lisävaruste

HUOMAUTUS: Varmista märkää pölyä imettäessä, että veden tasoanturit aktivoituvat asianmukaisesti.

HUOMAUTUS: Älä käytä esisuodatinta ja vaimenninta vesisuodatinta käytettäessä.

Kun imuroidaan vain vettä tai märkää pölyä, vesisuodatin on sopivampi kuin jauhesuodatin ja esisuodatin.

Kun asennat vesisuodatinta, asenna se ylälevyyn samalla tavalla kuin jauhesuodatin ja esisuodatin.

► **Kuva45**

HUOMAA: Vesisuodatinta kannattaa käyttää, kun imuroidaan suuria määriä vettä toistuvasti. Imuteho saattaa alentua, jos käytetään jauhesuodatinta ja esisuodatinta.

Veden tasoanturien puhdistaminen

Veden tasoanturit tunnistavat nesteen, kun säiliö tulee täyteen nestettä. Puhdista veden tasoanturit aika ajoin pehmeällä liinalla, kun vaihdat suodattimia.

► **Kuva46:** 1. Veden tasoanturi

Lisävarusteiden säilyttäminen

Tarvikkeet ja lisälaitteet, kuten suuttimet, putket ja kupu, voidaan ripustaa imurin takana olevaan koukkuun säilytystä varten silloin, kun niitä ei käytetä.

► **Kuva47:** 1. Tarvike ja lisälaitte ei käytössä 2. Kupu

Putkikiinnikkeeseen voi kiinnittää putkia (kun valinnainen pidike asennettuna), joita ei juuri sillä hetkellä tarvita.

► **Kuva48:** 1. Pidike (valinnainen lisävaruste) 2. Putkikiinnike

Letkun voi varastoida kiertämällä sen löysästi imurin rungon tai kahvan ympärille. Kytke sen päät yhteen niin, että letku muodostaa silmukan ja kierrä letku sitten silmukoina nostetun kahvan ympäri. Vaihtoehtoisesti voit pitää sen kytkentäpään kiinnitettynä letkuliitäntään, kiinnittää sen irtonaisen pään ja kiertää sen sitten monitoimipidikkeen varaan silmukoina.

► **Kuva49**

► **Kuva50**

LISÄVARUSTEET

▲HUOMIO: Seuraavia lisävarusteita tai laitteita suositellaan käytettäväksi tässä ohjeessa kuvatun Makita-työkalun kanssa. Muiden lisävarusteiden tai laitteiden käyttö voi aiheuttaa henkilövahinkoja. Käytä lisävarusteita ja -laitteita vain niiden käyttötarkoituksena.

Jos tarvitset apua tai yksityiskohtaisempia tietoja seuraavista lisävarusteista, ota yhteys paikalliseen Makitan huoltoon.

- Letku
- Etusovitinkappaleet (22, 24, 38)
- Suora putki
- Kulmasuutin
- Pyöreä harja
- Jauhesuodatin M, H (HEPA)
- Vaimennin
- Esisuodatin
- Vesisuodatin
- Suutin
- Kaariputki
- Muovipussi
- Suodatinpussi
- Kupu
- Aito Makitan akku ja laturi
- Langaton yksikkö
- MAKPAC

HUOMAA: Jotkin luettelossa mainitut varusteet voivat sisältyä työkalun toimitukseen vakiovarusteina. Ne voivat vaihdella maittain.

ADVARSEL

- Denne maskine er ikke beregnet til brug af personer, herunder børn, med reducerede fysiske, sensoriske eller mentale færdigheder eller manglende erfaring og viden.
- Børn skal overvåges for at sikre, at de ikke leger med støvsugeren.
- Se kapitlet "SPECIFIKATIONER" for batteriets typereference.
- Se afsnittet "Installation eller fjernelse af akkuen" for at finde ud af, hvordan man fjerner eller installerer batteriet.
- Når du bortskaffer akkuen, skal du afmontere den fra maskinen og bortskaffe den på et sikkert sted. Følg dine lokale regler vedrørende bortskaffelse af batterier.
- Hvis maskinen ikke skal bruges i en længere periode, skal batteriet fjernes fra maskinen.
- Akkuen må ikke kortsluttes.
- Se kapitlet "VEDLIGEHOLDELSE" for at få de relevante oplysninger om forholdsregler under brugervedligeholdelse.

SPECIFIKATIONER

Model:		VC006GM
Maksimal luftvolumen for enden af slangen	Med BL4050F, ø28 mm x3,5 m slange	2,0 m ³ /min
	Med BL4050F, ø38 mm x 2,5 m slange	3,7 m ³ /min
Maksimal luftvolumen ved turbine (med BL4050F)		4,9 m ³ /min
Vakuum (med BL4050F)		18 kPa
Opsamlingskapacitet	Støv	40 L
	Vand	30 L
Dimensioner (L x B x H)		586 mm x 385 mm x 598 mm
Nominel spænding		D.C. Maks. 72 V - 80 V
Nettovægt		18,4 - 20,8 kg
Beskyttelsesgrad		IPX4

- På grund af vores kontinuerlige forsknings- og udviklingsprogrammer kan hosstående specifikationer blive ændret uden varsel.
- Specifikationerne kan variere fra land til land.
- Vægten omfatter ikke tilbehør, men akku(er). Vægten af de letteste og tungeste kombinationer af apparatet og akku(er) er vist i tabellen.

Anvendelig akku og oplader

Akku	BL4020 / BL4025 / BL4040* / BL4050F* / BL4080F* * : Anbefalet batteri
Oplader	DC40RA / DC40RB / DC40RC

- Nogle af de akkuer og opladere, der er angivet ovenfor, er muligvis ikke tilgængelige, afhængigt af hvilket område du bor i.

⚠ADVARSEL: Brug kun de akkuer og opladere, der er angivet ovenfor. Brug af andre akkuer og opladere kan medføre personskaade og/eller brand.

Symboler

Følgende viser de symboler, der muligvis anvendes til udstyret. Sørg for, at du forstår deres betydning før brugen.



Læs betjeningsvejledningen.



Udvis særlig forsigtighed og opmærksomhed.



Advarsel! Støvsuger indeholder muligvis farligt støv.



Stå aldrig på støvsuger.



Undlad at lægge noget, der er tungere end 20 kg (44 lbs), på støvsuger.



Støvklasse M (medium): til udskillelse af støv med en værdigrænse for erhvervs-mæssig eksponering på mindst $0,1 \text{ mg/m}^3$. Støvsugerne kan opsure støv i klasse L og M. Følg dit lands bestemmelser vedrørende støv samt erhvervs-mæssig sundhed og sikkerhed.



Kun for lande inden for EU
På grund af tilstedeværelsen af farlige komponenter i udstyret kan affald af elektrisk og elektronisk udstyr, akkumulatører og batterier have en negativ indvirkning på miljøet og folkesundheden.
Bortskaf ikke elektriske og elektroniske apparater eller batterier sammen med husholdningsaffald!
I overensstemmelse med EF-direktiv om affaldshåndtering af elektrisk og elektronisk udstyr og om akkumulatører og batterier og affaldsakkumulatører og -batterier, og i overensstemmelse med national lovgivning, skal brugt elektrisk udstyr, batterier og akkumulatører opbevares separat og leveres til et separat indsamlingssted for kommunalt affald, der er etableret i henhold til bestemmelserne om miljøbeskyttelse. Dette er angivet ved symbolet på den krydsede skraldespand, der er placeret på udstyret.

Tilsigtet anvendelse

Apparatet er beregnet til opugning af både vådt og tørt støv. Apparatet er egnet til kommerciel brug, for eksempel på hoteller, skoler, hospitaler, fabrikker, butikker, kontorer og udlejningsvirksomheder.

Støj

Det typiske A-vægtede støjniveau bestemt i overensstemmelse med EN60335-2-69:

Lydtryksniveau (L_{pA}): 70 dB (A) eller derunder
Usikkerhed (K): 2,5 dB (A)

Støjniveauet under arbejde kan overskride 80 dB (A).

BEMÆRK: De(n) angivne støjemissionsværdi(er) er målt i overensstemmelse med en standardtestmetode og kan anvendes til at sammenligne en maskine med en anden.

BEMÆRK: De(n) angivne støjemissionsværdi(er) kan også anvendes i en præliminær eksponeringsvurdering.

ADVARSEL: Bær høreværn.

ADVARSEL: Støjemissionen under den faktiske anvendelse af maskinen kan være forskellig fra de(n) angivne værdi(er), afhængigt af den måde hvorpå maskinen anvendes, især den type arbejdsemne der behandles.

ADVARSEL: Sørg for at identificere de sikkerhedsforskrifter til beskyttelse af operatøren, som er baseret på en vurdering af eksponering under de faktiske brugsforhold (med hensyntagen til alle dele i brugscyklussen, f.eks. de gange, hvor maskinen er slukket, og når den kører i tomgang i tilgift til afbrydertiden).

Vibration

Vibrationens totalværdi (tre-aksial vektorsum) bestemt i overensstemmelse med EN60335-2-69:
Vibrationsafgivelse ($a_{h,M}$): $2,5 \text{ m/s}^2$ eller mindre
Usikkerhed (K): $1,5 \text{ m/s}^2$

BEMÆRK: De(n) angivne totalværdi(er) for vibration er målt i overensstemmelse med en standardtestmetode og kan anvendes til at sammenligne en maskine med en anden.

BEMÆRK: De(n) angivne totalværdi(er) for vibration kan også anvendes i en præliminær eksponeringsvurdering.

ADVARSEL: Vibrationsemmissionen under den faktiske anvendelse af maskinen kan være forskellig fra de(n) angivne værdi(er), afhængigt af den måde hvorpå maskinen anvendes, især den type arbejdsemne der behandles.

ADVARSEL: Sørg for at identificere de sikkerhedsforskrifter til beskyttelse af operatøren, som er baseret på en vurdering af eksponering under de faktiske brugsforhold (med hensyntagen til alle dele i brugscyklussen, f.eks. de gange, hvor maskinen er slukket, og når den kører i tomgang i tilgift til afbrydertiden).

EF-overensstemmelseserklæring

Kun for lande i Europa

EF-overensstemmelseserklæringen er inkluderet som Bilag A i denne brugsanvisning.

SIKKERHEDSADVARSLER

Sikkerhedsadvarsler for akku støvsuger

ADVARSEL: VIGTIGT! LÆS OMHYGGELIGT alle sikkerhedsadvarsler og alle instruktioner FØR BRUGEN. Hvis advarslerne og instruktionerne ikke overholdes, kan det medføre elektrisk stød, brand og/eller alvorlig personskade.

1. Før brugen skal du sørge for, at denne støvsuger anvendes af personer, der er tilstrækkeligt oplært i brugen af støvsugeren.
2. Før brugen skal operatører have oplysninger, instruktioner og oplæring i brugen af maskinen og de stoffer, den kan anvendes til, herunder den sikre metode til fjernelse og bortskaffelse af det opsamlende materiale.
3. Sluk med det samme, hvis der kommer skum/væske ud.
4. Rengør jævnlige enheden til begrænsning af vandstanden, og undersøg den for tegn på skader.
5. Sørg altid for, at filtrene er monteret korrekt inden brug. Anvend ikke støvsugeren uden filtre på plads. Udskift straks et beskadiget filter. Det anbefales at have nogle ekstra filtre, da filtre er forbrugsvarer.
6. **UNDGÅ, AT MASKINEN STARTER VED ET UHELD.** Sørg for, at der er slukket på kontakten, ved montering af batteri(er).
7. Undlad at forsøge at opsuge brændbare materialer, fyrværkeri, tændte cigaretter, varm aske, varme metalspånere og skarpe materialer såsom barberblade, nåle, glasskår eller lignende.
8. **BRUG ALDRIG STØVSUGEREN I NÆRHEDEN AF BENZIN, GAS, MALING, LIM ELLER ANDRE STÆRKT EKSPLOSIONSFARLIGE STOFFER.** Afbryderen udsender gnister, når der tændes eller slukkes. Det samme gør motorkommutatoren under brugen. Det kan medføre farlig eksplosion.
9. Støvsug aldrig giftstoffer, kræftfremkaldende stoffer, brændbare stoffer eller andre farlige materialer som f.eks. asbest, arsenik, barium, beryllium, bly, insektmidler eller andre sundhedsskadelige materialer.
10. Placér altid støvsugeren på en horisontal plan overflade for at forhindre, at den falder eller flytter sig ved et uheld.
11. Brug aldrig støvsugeren udenfor i regnvejr.
12. I Finland er det ikke tilladt at benytte maskinen ved lave udendørstemperaturer.
13. Brug ikke i nærheden af varmekilder (komfurer og lignende).
14. Hvis udstødningsluften sendes tilbage i rummet, er det nødvendigt at bruge passende luftudvekslingshastighed i rummet. Reference til nationale reguleringer er nødvendig.
15. Bloker ikke sugeåbningen/udløbet/ventilationsåbningerne til afkøling. Disse ventilationsåbninger muliggør afkøling af motoren. Blokering skal undgås omhyggeligt, da motoren ellers vil brænde sammen på grund af en mangel på ventilation.
16. Oprethold til enhver tid korrekt fodfæste og balance.
17. Undlad at sammenfolde, rykke i eller træde på slangen.
18. Stop med det samme støvsugeren, hvis du bliver opmærksom på dårlig ydelse eller noget unormalt under brugen.
19. **FJERN BATTERIET ELLER BATTERIERNE.** Når maskinen ikke er i brug, før service, og når der skiftes tilbehør.
20. Rengør og servicer støvsugeren umiddelbart efter hver brug for at holde den i tiptop funktionstilstand.
21. **VEDLIGEHLTD STØVSUGEREN OMHYGGELIGT.** Hold støvsugeren ren for at opnå bedre og sikrere ydelse. Følg instruktionerne for udskiftning af tilbehør. Hold håndtagene tørre, rene og fri for olie og fedt.
22. **KONTROLLER BESKADIGEDE DELE.** Før støvsugeren bruges igen, skal en beskyttelsesskærm eller anden del, som er beskadiget, kontrolleres omhyggeligt for at fastslå, om den vil fungere korrekt og udføre sin tilsigtede funktion. Kontroller for justeringen af bevægelige dele, binding af bevægelige dele, brud på dele, montering og alle andre forhold, der kan påvirke funktionaliteten. En beskyttelsesskærm eller anden del, der er beskadiget, skal repareres korrekt eller udskiftes af et autoriseret servicecenter, medmindre andet fremgår andetsteds i denne brugsanvisning. Få defekte afbrydere udskiftet hos et autoriseret servicecenter. Brug ikke støvsugeren, hvis afbryderen ikke kan tænde eller slukke for den.
23. For brugerservicering skal maskinen skilles ad, rengøres og serviceres så vidt muligt praktisk uden at udgøre en risiko for vedligeholdelsespersonalet og andre.
24. Der skal foretages teknisk inspektion af maskinen af producenten eller en instrueret person mindst én gang om året, f.eks. bestående af inspektion af filtrene for skader, om maskinen er lufttæt, og om kontrolmekanismen fungerer korrekt.
25. Ved udførelse af service- eller reparations-handlinger skal alle forurenede elementer, som ikke kan rengøres tilfredsstillende, bortskaffes i tætte poser i overensstemmelse med eventuel lovgivning vedrørende bortskaffelse af sådant affald.
26. **RESERVEDELE.** Brug kun identiske reservedele i forbindelse med service.
27. **OPBEVAR STØVSUGEREN, NÅR DEN IKKE BRUGES.** Når maskinen ikke er i brug, skal den opbevares indendørs.
28. Våde filtre og den indvendige del af væskebeholderen skal tørres før opbevaring.
29. Behandl din støvsuger godt. Hårdhændet behandling kan medføre, at selv den mest solidt byggede støvsuger går i stykker.
30. Forsøg ikke at rengøre udvendigt eller indvendigt med benzen, fortynder eller kemiske rengøringsmidler. Dette kan medføre revner og misfarvning.
31. Brug ikke støvsugeren i et aflukket lokale, hvor der afgives brændbare, eksplosive eller giftige dampe fra oliebaseeret maling, malingsfortynder, benzin, visse mølmidler osv., eller på steder med brandfarligt støv.
32. Anvend ikke denne eller andre maskiner, hvis du er påvirket af narkotika eller alkohol.
33. Anvend som grundlæggende sikkerhedsregel beskyttelsesbriller eller sikkerhedsbriller med sideværn.
34. Brug en støvmaske i støvede arbejdsforhold.

35. Denne maskine er ikke beregnet til brug af personer, herunder børn, med reducerede fysiske, sensoriske eller mentale færdigheder eller manglende erfaring og viden.
36. Børn skal overvåges for at sikre, at de ikke leger med støvsugeren.
37. Håndter aldrig batterier eller batterierne og støvsugeren med våde hænder.
38. Vær ekstremt forsigtig ved rengøring på trapper.
39. Anvend ikke støvsugeren som taburet eller arbejdsbænk. Maskinen kan falde ned og forårsage personskade.

Brug og vedligeholdelse af batteriet

1. **Oplad kun med den oplader, som producenten angiver** En oplader, der passer til én type batteri, kan forårsage brand, hvis den anvendes med et andet batteri.
2. **Brug kun el-værktøjer sammen med de tilhørende batteripakker.** Brug af andre batteripakker kan forårsage personskade og brand.
3. **Når batteripakker ikke anvendes, skal de holdes borte fra andre metalgenstande som papirclips, mønter, nøgler, søm, skruer og andre små metalgenstande, der kan skabe forbindelse mellem terminalerne.** Hvis batteriets terminaler kortsluttes, kan det forårsage brand.
4. **I tilfælde af misbrug kan der sprøjte væske ud fra batteriet. Undgå kontakt. Skyl med vand, hvis De kommer i kontakt med væsken. Søg læge, hvis De får væske i øjet.** Væske, der sprøjter ud fra batteriet, kan medføre irritation eller forbrændinger.
5. **Undlad at bruge en akku eller maskine, der er beskadiget eller ændret.** Beskadigede eller ændrede batterier kan fungere uforudsigeligt og medføre brand, eksplosion eller risiko for personskade.
6. **Undlad at udsætte en akku eller maskine for brand eller høje temperaturer.** Udsættelse for brand eller temperaturer på over 130 °C kan medføre eksplosion.
7. **Følg alle instruktioner vedrørende opladning, og undlad at oplade akkuen eller maskinen uden for det temperaturinterval, der er angivet i instruktionerne.** Opladning, der udføres forkert eller ved temperaturer uden for det angivne temperaturinterval, kan beskadige batteriet og medføre øget risiko for brand.

GEM DENNE BRUGSANVISNING.

⚠ ADVARSEL: LAD IKKE bekvemmelighed eller kendskab til produktet (opnået gennem gentagen brug) forhindre, at sikkerhedsforskrifterne for produktet nøje overholdes. MISBRUG eller forsømmelse af at følge de i denne brugsvejledning givne sikkerhedsforskrifter kan føre til, at De kommer alvorligt til skade.

Vigtige sikkerhedsinstruktioner for akkuen

1. **Læs alle instruktioner og advarselmærkater på (1) akku-opladeren, (2) akkuen og (3) produktet, som anvender akku.**
2. **Adskil eller ændr ikke akkuen.** Det kan muligvis resultere i en brand, overdreven varme eller eksplosion.
3. **Hold straks op med anvendelsen, hvis brugstiden er blevet stærkt afkortet.** Fortsat anvendelse kan resultere i risiko for overophedning, forbrændinger og endog eksplosion.
4. **Hvis De har fået elektrolytvæske i øjnene, skal De straks skylle den ud med rent vand og derefter øjeblikkeligt søge lægehjælp.** I modsat fald kan De miste synet.
5. **Vær påpasselig med ikke at komme til at kortslutte akkuen:**
 - (1) Rør ikke ved terminalerne med noget ledende materiale.
 - (2) Undgå at opbevare akkuen i en beholder sammen med andre genstande af metal, for eksempel søm, mønter og lignende.
 - (3) Udsæt ikke akkuen for vand eller regn. Kortslutning af akkuen kan forårsage en kraftig øgning af strømmen, overophedning, mulige forbrændinger og endog værktøjstop.
6. **Opbevar og brug ikke maskinen og akkuen på steder, hvor temperaturen muligvis kan nå eller overstige 50 °C.**
7. **Lad være med at brænde akkuen, selv ikke i tilfælde, hvor den har lidt alvorlig skade eller er fuldstændig udtjent.** Akkuen kan eksplodere, hvis man forsøger at brænde den.
8. **Slå ikke søm i, skær ikke i, knus, kast, tab ikke akkuen og stød ikke akkuen mod en hård genstand.** Sådan adfærd kan muligvis resultere i en brand, overdreven varme eller eksplosion.
9. **Anvend ikke en beskadiget akku.**
10. **De indbyggede litium-ion-batterier er underlagt lovkrav vedrørende farligt gods.** Ved kommerciel transport, f.eks. af tredjeparts transportselskaber, skal særlige krav til forpakning og mærkning overholdes. Ved forberedelse af udstyret til forsendelse skal du kontakte en ekspert i farligt gods. Overhold også eventuel mere detaljeret national lovgivning. Tape eller tildæk åbne kontakter, og pak batteriet på en måde, så det ikke kan flytte sig rundt i pakningen.
11. **Når akkuen bortskaftes, skal du fjerne den fra maskinen og bortskaft den på et sikkert sted.** Følg de lokale love vedrørende bortskaftelsen af batterier.
12. **Brug kun batterierne med de produkter, som Makita specificerer.** Hvis batterierne installeres i ikke-kompatible produkter, kan det medføre brand, kraftig varme, eksplosion eller udsivning af elektrolyt.
13. **Hvis maskinen ikke skal bruges i længere tid ad gangen, skal du fjerne batteriet fra maskinen.**
14. **Akkuen kan muligvis under og efter brug være varm, hvilket kan forårsage forbrændinger eller lavtemperaturforbrændinger.** Vær påpasselig med håndtering af varme akkuer.

15. Rør ikke terminalen på maskinen straks efter brug, da den bliver varm nok til at forårsage forbrændinger.
16. Sørg for, at spåner, støv eller jord ikke sætter sig fast i akkuens terminaler, huller og riller. Det kan forårsage opvarmning, antændelse, sprængning og funktionsfejl i maskinen eller akkuen, hvilket kan medføre forbrændinger eller personskade.
17. Medmindre maskinen understøtter brugen i nærheden af elektriske højspændingsledninger, skal du ikke anvende akkuen i nærheden af elektriske højspændingsledninger. Det kan muligvis medføre funktionsfejl på eller nedbrud af maskinen eller akkuen.
18. Opbevar batteriet utilgængeligt for børn.

GEM DENNE BRUGSANVISNING.

⚠FORSIGTIG: Brug kun originale batterier fra Makita. Brug af uoriginale Makita-batterier, eller batterier som er blevet ændret, kan muligvis medføre brud på batteriet, hvilket kan forårsage brand, personskade eller beskadigelse. Det ugyldiggør også Makita-garantien for Makita-maskinen og opladeren.

Tips til opnåelse af maksimal akku-levetid

1. Oplad akkuen, inden den er helt afladet. Stop altid værktøjet, og oplad akkuen, hvis De bemærker, at værktøjeffekten er aftagende.
2. Genoplad aldrig en fuldt opladet akku. Overopladning vil afkorte akkuens levetid.
3. Oplad akkuen ved stuetemperatur ved 10 °C - 40 °C. Lad altid en varm akku få tid til at køle af, inden den oplades.
4. Når du ikke anvender akkuen, skal du fjerne den fra maskinen eller opladeren.
5. Oplad akkuen, hvis De ikke skal bruge den i længere tid (mere end seks måneder).

Vigtige sikkerhedsinstruktioner for trådløs enhed

1. Undlad at åbne låget til åbningen selv, når først du har installeret den trådløse enhed.
2. Undlad at adskille eller ændre den trådløse enhed.
3. Opbevar den trådløse enhed utilgængeligt for små børn. Søg øjeblikkeligt læge, hvis den sluges ved et uheld.
4. Brug kun den trådløse enhed sammen med maskiner fra Makita.
5. Udsæt ikke den trådløse enhed for regn eller våde omgivelser.
6. Brug ikke den trådløse enhed på steder, hvor temperaturen overskrider 50 °C.
7. Brug ikke den trådløse enhed i nærheden af medicinske instrumenter som f.eks. pacemakere.
8. Brug ikke den trådløse enhed i nærheden af automatiske enheder. Hvis den bruges, kan automatiske enheder udvikle fejlfunktion eller fejl.

9. Undlad at betjene den trådløse enhed på steder med høje temperaturer eller steder, hvor der kan genereres statisk elektricitet eller elektrisk støj.
10. Den trådløse enhed kan frembringe elektromagnetiske felter (EMF), men de er ikke skadelige for brugeren.
11. Den trådløse enhed er et præcisionsinstrument. Undgå at tabe eller slå på den trådløse enhed.
12. Undgå at berøre terminalen på den trådløse enhed med de bare hænder eller metalliske materialer.
13. Tag altid batteriet ud af produktet, når den trådløse enhed monteres på det.
14. Når låget på åbningen åbnes, skal du undgå steder, hvor der kan komme støv eller vand ind i åbningen. Hold altid indgangen til åbningen ren.
15. Indsæt altid den trådløse enhed i den rigtige retning.
16. Undgå at trykke for hårdt på den trådløse aktiveringsknap på den trådløse enhed og/eller at trykke på knappen med en genstand med en skarp kant.
17. Luk altid låget på åbningen under brug.
18. Undlad at fjerne den trådløse enhed fra åbningen, når der er sluttet strøm til maskinen. Hvis du gør dette, kan det medføre funktionsfejl i den trådløse enhed.
19. Undlad at fjerne etiketten på den trådløse enhed.
20. Undlad at sætte nogen etiket på den trådløse enhed.
21. Lad ikke den trådløse enhed ligge på steder, hvor der kan genereres statisk elektricitet eller elektrisk støj.
22. Lad ikke den trådløse enhed ligge på steder, der er udsat for høj varme, for eksempel en bil, der står i solen.
23. Lad ikke den trådløse enhed ligge på et sted med støv eller pulver eller på et sted, hvor der kan udvikles ætsende gas.
24. En pludselig temperaturændring kan forårsage dug på den trådløse enhed. Brug ikke den trådløse enhed, før duggen er tørret helt bort.
25. Ved rengøring af den trådløse enhed skal den aførres forsigtigt med en tør, blød klud. Brug ikke rensbenzin, fortynder, ledende fedtstof eller lignende.
26. Ved opbevaring af den trådløse enhed skal den opbevares i den medfølgende æske eller i en beholder, der er fri for statisk elektricitet.
27. Indsæt ikke andre enheder end den trådløse enhed fra Makita i åbningen på maskinen.
28. Undlad at bruge maskinen, hvis låget til åbningen er beskadiget. Vand, støv og snavs, der kommer ind i åbningen, kan forårsage fejlfunktion.
29. Undlad at trække og/eller vride låget til åbningen mere end nødvendigt. Sæt låget på igen, hvis det falder af maskinen.
30. Udskift låget til åbningen, hvis det bliver væk eller ødelægges.

GEM DISSE FORSKRIFTER.

FUNKTIONSBESKRIVELSE

⚠️ FORSIGTIG: Sørg altid for, at apparatet er slukket, og at akkuerne er afmonteret, før du justerer eller kontrollerer funktionen på apparatet.

Isætning eller fjernelse af akkuen

⚠️ FORSIGTIG: Sluk altid for maskinen, før montering eller afmontering af akkuen.

⚠️ FORSIGTIG: Hold støvsugeren og akkuen fast ved montering eller afmontering af akkuen. Hvis du ikke holder fast på støvsugeren og akkuen, kan de glide ud af hænderne på dig og medføre beskadigelse af støvsugeren, akkuen og personskade.

⚠️ FORSIGTIG: Pas på ikke at få fingrene i klemme, når du åbner eller lukker batteridækslet. Hvis du ikke gør dette, kan det medføre personskade.

For at installere akkuen skal du først udløse låsen og derefter åbne batteridækslet. Indsæt derefter akkuen.

► **Fig.1:** 1. Lås 2. Batteridæksel

Juster tungen på akkuen med rillen i huset, og skub den på plads. Sæt den hele vejen ind, indtil den låses på plads med et lille klik. Lås derefter batteridækslet.

► **Fig.2:** 1. Akku 2. Knap

Akkuen fjernes ved at trække den ud af maskinen, mens der skydes på knappen på forsiden af akkuen.

⚠️ FORSIGTIG: Monter altid akkuen helt. Hvis ikke, kan den falde ud af støvsugeren ved et uheld og forårsage personskade på dig eller nogen omkring dig.

⚠️ FORSIGTIG: Brug ikke magt ved montering af akkuen. Hvis akkuen ikke glider på plads uden problemer, betyder det, at den ikke sættes i på korrekt vis.

BEMÆRK: Støvsugeren fungerer ikke med kun én akku.

Indikation af den resterende batteriladning

Tryk på kontrolknappen på akkuen for at få vist den resterende batteriladning. Indikatorlampen lyser i nogle sekunder.

► **Fig.3:** 1. Indikatorlamper 2. Kontrolknap

Indikatorlamper			Resterende ladning
Tændt	Slukket	Blinker	
■ ■ ■ ■			75% til 100%
■ ■ ■ □			50% til 75%
■ ■ □ □			25% til 50%
■ □ □ □			0% til 25%
▬ □ □ □			Genoplad batteriet.
■ ■ □ □			Der er muligvis fejl i batteriet.
□ □ ■ ■			

BEMÆRK: Afhængigt af brugsforholdene og den omgivende temperatur kan indikationen afvige en smule fra den faktiske ladning.

BEMÆRK: Den første indikatorlampe (længst mod venstre) vil blinke, når batteribeskyttelsessystemet aktiveres.

Batteriindikatorer på kontrolpanelet

Den resterende batteriladning kan til enhver tid aflæses på kontrolpanelet. Tryk på kontrolknappen, og den venstre og højre indikator viser batteriets tilsvarende opladningsniveauer.

► **Fig.4:** 1. Venstre batteriindikator 2. Højre batteriindikator 3. Kontrolknap

► **Fig.5**

Status på batteriindikator			Resterende batteriladning
Tændt	Slukket	Blinker	
■ ■ ■ ■			50% til 100%
	■ ■ ■ □		20% til 50%
	■ □ □ □		0% til 20%
		▬ □ □ □	Genoplad batteriet
		□ □ □ □	Batteri ikke indsat

BEMÆRK: Batteriindikatoren fungerer, mens der er to batterier isat.

BEMÆRK: Batteriindikatorerne aktiveres også, når støvsugeren begynder at fungere.

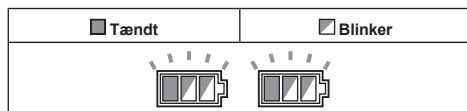
Apparat-/batteribeskyttelsessystem

Apparatet er udstyret med et apparat-/batteribeskyttelsessystem. Dette system afbryder automatisk strømmen til motoren for at forlænge apparatets og batteriets levetid. Apparatet stopper automatisk under anvendelse, hvis apparatet eller batteriet udsættes for et af følgende forhold:

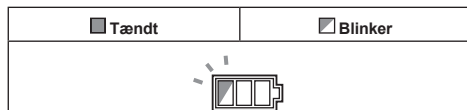
Overbelastningsbeskyttelse

Når apparatet/batteriet betjenes på en måde, der får det til at bruge unormalt meget strøm, stopper apparatet automatisk. I denne situation skal du slukke for apparatet og stoppe den anvendelse, der fik apparatet til at blive overbelastet. Tænd derefter for apparatet for at genstarte det.

Beskyttelse mod overophedning



Når apparatet er overophedet, stopper det automatisk, og både venstre og højre batteriindikator blinker. I denne situation skal du lade apparatet køle ned og rense filtrene, før du tænder for apparatet igen.



Når batterierne er overophedet, stopper apparatet automatisk, og en af indikatorerne for overophedet batteri blinker. I denne situation skal du lade batteriet køle af, før du tænder for apparatet igen.

Beskyttelse mod afladning

Når batteriladningen bliver lav, stopper apparatet automatisk. Hvis apparatet ikke kører sammen med kontaktens funktion, skal du afmontere batterierne fra apparatet og genoplade dem.

Beskyttelse mod andre årsager

Beskyttelsessystemet er også designet til andre årsager, der kan beskadige apparatet og gør det muligt for apparatet at stoppe automatisk. Træf alle følgende foranstaltninger for at fjerne årsagerne, når apparatet er blevet midlertidigt standset eller stoppet i anvendelse.

1. Sluk for apparatet, og tænd det derefter igen for at genstarte.
2. Oplad batteriet/batterierne, eller udskift det/dem med genopladet/genopladede batteri/batterier.
3. Lad apparatet og batteriet/batterierne køle af.

Hvis der ikke kan findes nogen forbedring ved at gen-danne beskyttelsessystemet, skal det lokale Makita-servicecenter kontaktes.

Afbryderbetjening

Sådan tændes støvsugeren

1. Drej standby-kontakten i "I" (TIL) eller "AUTO" (TIL)-positionen for at have støvsugeren klar i standbytilstand.
2. Tryk på afbryderknappen.
For at skifte tilbage til standbytilstand skal du trykke på afbryderknappen igen.

Sådan slukkes støvsugeren

Udfør et af følgende trin.

- Tryk på afbryderknappen for at sætte støvsugeren tilbage i standbytilstand.
- Drej standby-kontakten i "O" (FRA)-positionen.

Sådan justeres sugestyrken

Sugestyrken kan justeres afhængigt af dit behov.

- Drej knappen til justering af sugestyrke til venstre for at reducere sugestyrken.
- Drej knappen til justering af sugestyrke til højre for at øge sugestyrken.

Valg af slangediameter

Drej valgskiven til slangediameter til den slangediameter, du skal bruge.

BEMÆRK: Undlad at dreje skiven til et mellemrum mellem tallene. Drej altid skiven i overensstemmelse med slangediameteren.

- **Fig. 6:** 1. Standby-kontakt 2. Knap til justering af sugestyrke 3. Valgskive til slangediameter 4. Afbryderknap

BEMÆRKNING: Sæt altid standby-kontakten på "O"-siden, når du ikke bruger støvsugeren i længere tid. Støvsugeren bruger strøm under standbytilstand.

Advarselsbip

Der er to typer biplyde. Det ene er korte bip, og det andet er kontinuerlige bip.

- Når luftstrøms hastigheden falder til under 20 m/s, udsender støvsugeren korte advarselsbip af sikkerhedsmæssige årsager. Når det lyder, skal du kontrollere valgskiven til slangediameteren, eller hvis sugestyrken ikke er for lav. Hvis bippene bliver ved med at lyde, skal du udføre vedligeholdelse eller kontakte det lokale servicecenter.
- Når tanken er fyldt med væske, udsender støvsugeren kontinuerlige advarselsbip og stopper automatisk. Når støvsugeren er stoppet, skal du slukke for støvsugeren og tømme tanken.

Automatisk sugestop under våd sugefunktion

⚠ ADVARSEL: Undlad at opsuge skum eller sæbevand. Det kan medføre, at der kommer skum ud af luftudgangen. Kontinuerlig brug under sådanne forhold kan forårsage elektrisk stød og beskadigelse af støvsugeren.

Støvsugeren har en mekanisme, der forhindrer vand i at trænge ind i motoren, når der opsuges mere end en vis mængde vand. Når tanken er fuld af væske, udsender støvsugeren kontinuerlige advarselsbip og stopper automatisk. Når støvsugeren er stoppet, skal du slukke for støvsugeren og tømme tanken.

Filterrensningssystem

Dette apparat har et filterrensningssystem. Under brug af apparatet støver filterrensningssystemet automatisk filtrene af for at forhindre, at sugestykken sænkes på grund af tilstopning af filtre.

Hvis apparatet opsuger store mængder støv på én gang, kan sugestykken blive reduceret. I så fald anbefales manuel filterrensning.

1. Sluk for apparatet.
2. Indstil sugestykken til maksimum, og luk derefter sugeslangens åbning med håndfladen.
3. Tænd for apparatet, og lad det køre i ca. 15 sekunder med lukket sugeslangeåbning.

► Fig.7: 1. Sugeslangens åbning

BEMÆRK: Luftvolumen kan ændre sig, mens filterrensningssystemet aktiveres, men fungerer ikke forkert.

Vandaftapning

Når tanken er fuld af væske, skal du slukke for støvsugeren og åbne vandaftapningshætte for at tømme tanken.

► Fig.8: 1. Vandaftapningshætte

Hætte

Hætten leveres sammen med apparatet. Montering af hætten på slangens tilslutningsport forhindrer de sugede støvpartikler i at komme ud af støvsugeren.

► Fig.9: 1. Hætte

Låsning og oplåsning af hjul

De forreste hjul kan låses med stopperer for at få støvsugeren til at stå stille.

Sænk stopperhåndtaget manuelt for at låse hjulet, og hævet det op for at frigøre det.

► Fig.10: 1. Hjul 2. Stopperhåndtag 3. FRI position 4. LÅST position

BEMÆRK: Sørg for at hjulet er låst op, når du flytter støvsugeren. Hvis du flytter støvsugeren med hjulet i en låst position, kan det beskadige hjulet.

Bærehåndtag

⚠FORSIGTIG: Løft og bær apparatet med fornudden omhu. Hvis du ikke gør det, kan det resultere i personskade eller beskadigelse af apparatet.

Når du bærer støvsugeren, skal du bære den ved at holde i håndtaget på hovedenheden. Håndtaget kan trækkes tilbage på hovedenheden, når det ikke er i brug.

► Fig.11

Hvis det er svært at bære apparatet selv, skal den bæres af to personer som vist på figuren.

► Fig.12

► Fig.13

SAMLING

⚠ADVARSEL: Denne enhed kan indeholde farligt støv. Når du udskifter filterelementer og støvpose eller udfører vedligeholdelse, skal du altid bruge et P2-åndedrætsværn.

⚠FORSIGTIG: Sørg altid for, at apparatet er slukket, og at akkuerne er afmonteret, før du udfører nogen form for arbejde på apparatet.

Montering og bortskaffelse af filterpose

⚠ADVARSEL: Brug altid et P2-åndedrætsværn.

⚠ADVARSEL: Før du bruger en filterpose, skal du sørge for, at filterenheden bruges sammen. Hvis filterenheden ikke bruges sammen, kan det medføre usædvanlig støj og varme, hvilket kan resultere i brand.

⚠ADVARSEL: Når du bruger apparatet som støvklasse M, skal du altid sørge for at bruge en filterpose.

BEMÆRKNING: Undlad at opsuge vand eller andre væsker eller vådt støv, når du bruger en filterpose. Opsugning af sådanne ting kan medføre, at filterposen går i stykker.

1. Løsn låsekrogene, og løft hovedenheden op fra tanken.

► Fig.14: 1. Låsekrog

2. Fold en filterpose ud.

3. Justér filterposens åbning med tankens støvindtag.

4. Sæt filterposens pap på maskinen, så det placeres for enden ud over stoppets fremspring.

► Fig.15: 1. Filterpose 2. Papåbning

3. Filterposeholder 4. Støvindtag 5. Kant

Når filterposen skal bortskaffes, skal du trække i kanten på filterposens munding, så munden lukkes med papir.

Montering af polyætylenpose

Ekstraudstyr

Læg en polyætylenpose over tanken, og skub den ene side af posens øverste kant i den åbne ende ind mellem holderpladen og tankens forvæg.

Spred derefter posens øvrige øverste kanter udad over tankens øverste kanter.

Polyætylenposen kan bruges sammen med filterposen.

► Fig.16: 1. Holderplade 2. Tankens forvæg 3. Polyætylenpose

BEMÆRK: Der kan bruges en polyætylenpose, som er tilgængelig på markedet. Tykkelsen er over 0,04 mm, og omkredsen er over 2.000 mm, hvilket anbefales.

BEMÆRK: For meget støv vil let rive polyætylenposen i stykker, så undlad at overfylde posen. Bortskaffelse af den tunge pose kan være en byrde for en menneskekrop.

Tømning af tank med polyætylenpose

⚠ ADVARSEL: Sørg altid for, at støvsugeren er slukket, og at akkuerne er afmonteret, før tanken tømmes. Hvis dette ikke gøres, kan det medføre elektrisk stød og alvorlig personskade.

BEMÆRKNING: Tøm tanken mindst én gang om dagen, selvom dette afhænger af mængden af opsøgt støv i tanken. Ellers reduceres sugestyrken, og motoren kan gå i stykker.

BEMÆRKNING: Undlad at gribe fat i låsekrogene, når du tømmer tanken. Hvis du griber fat i låsekrogene, kan de gå i stykker.

1. Løsn låsekrogene, og løft hovedenheden op fra tanken.
 2. Tag polyætylenposen ud af tanken, og luk posens åbning med hånden.
- **Fig.17:** 1. Polyætylenpose 2. Tank

BEMÆRK: Tag polyætylenposen forsigtigt ud af tanken for at undgå, at den bliver ridset og revet af kanterne inde i tanken.

BEMÆRK: Tøm polyætylenposen, før den bliver fuld. For meget støv i tanken kan medføre, at polyætylenposen går i stykker.

Montering af slange

BEMÆRKNING: Der må aldrig bruges magt på slangen for at bøje den, og der må aldrig trædes på den. Støvsugeren må aldrig flyttes ved at trække i slangen. Hvis der bruges magt på slangen, hvis der trædes på den eller hvis der trækkes den, kan det forårsage brud eller deformation af slangen.

BEMÆRKNING: Ved opsugning af store stykker affald som f.eks. høvlspåner, betonstøv eller lignende andet end små stykker affald skal du bruge en slange med en indvendig diameter på 38 mm (ekstraudstyr). Brug af slangen med indvendig diameter på 28 mm (ekstraudstyr) kan medføre forstoppelse i slangen og beskadigelse.

BEMÆRKNING: Sæt altid hættten på monteringsporten, når du afmonterer slangen fra støvsugeren.

Tilslutning til støvsuger

Afmonter hættten fra monteringsporten. Hættten kan opbevares på bagsiden af støvsugeren, mens slangen er tilsluttet støvsugeren.

► **Fig.18:** 1. Hættte

Indsæt slangeenden på støvindtaget (slangeindløbet) på støvsugeren, drej den derefter med uret, indtil den låser på plads.

► **Fig.19:** 1. Slange 2. Støvindtag (slangeindløb)

Tilslutning til arbejdsredskaberne (Landespecifik)

Ved at tilslutte støvsugeren til alle tilgængelige arbejdsredskaber, der er kompatible med støvsugeren, fungerer den som en støvudsuger til maskinværktøjerne.

Vælg en af de forreste manchetter eller samlinger (ekstraudstyr), der passer bedst til maskinmodellen. Anbring manchetterne eller samlingen efter behov mellem forenden af støvsugerslangen og en støvudtræksport på maskinen.

- **Fig.20:** 1. Forreste manchetter eller samling
2. Støvsugerslange 3. Maskinværktøj
4. Støvsuger

Montering eller afmontering af støvsugertilbehør

⚠ FORSIGTIG: Efter du har monteret et tilbehør, skal du kontrollere, om det sidder forsvarligt fast. Hvis tilbehøret er ufuldstændigt monteret, kan det gå løs og forårsage personskade.

Når du bruger tilbehør uden låsefunktion

Ekstraudstyr

Indsæt et tilbehør i støvsugerens sugeåbning ved at skubbe og skrue det på plads med hånden. Drej tilbehøret med hånden, og træk det væk fra sugeåbningen efter brug.

► **Fig.21**

Montering af MAKPAC

Ekstraudstyr

⚠ FORSIGTIG: Undlad at stå eller sidde oven på apparatet. Det kan falde ned på grund af ustabilitet.

⚠ FORSIGTIG: Vær forsigtig med betjeningen, når du monterer MAKPAC. Hvis du ikke gør det, kan det resultere i personskade eller beskadigelse af apparatet.

⚠ FORSIGTIG: Når MAKPAC er monteret på apparatet, må du ikke løfte apparatet med håndtaget til MAKPAC.

⚠ FORSIGTIG: Når du flytter apparatet, som er monteret med MAKPAC, må du ikke skubbe MAKPAC, men selve apparatets krop. Hvis MAKPAC skubbes, kan låsene gå i stykker, og MAKPAC kan falde ned, hvilket kan resultere i personskade.

MAKPAC-opbevaringskasser, der kan tilsluttes og stables, kan monteres oven på støvsugeren. Kasserne fås i mange størrelser og stilarter, så de passer til dine præferencer.

1. Udfold låsene på støvsugerens øverste overflade.
- **Fig.22:** 1. Lås

2. Monter MAKPAC-kasserne oven på støvsugeren, og fastgør dem med låse.

► **Fig.23:** 1. Lås 2. MAKPAC

Den maksimale højde og vægt ved montering af MAKPAC er henholdsvis 315 mm og 20 kg.

► **Fig.24**

ANVENDELSE

⚠ ADVARSEL: Brug altid et P2-ånderætsværn.

⚠ FORSIGTIG: Hvis der slipper skum eller væske ud af maskinen, skal du slukke for den med det samme. Fortsat brug i denne tilstand kan forårsage elektrisk stød og beskadigelse af støvsugeren.

TRÅDLØS AKTIVERINGSFUNKTION

Ekstraudstyr

Hvad kan du foretage dig med den trådløse aktiveringsfunktion

Den trådløse aktiveringsfunktion muliggør ren og behagelig anvendelse. Hvis der slutes en understøttet maskine til støvsugeren, kan du lade støvsugeren køre automatisk, når afbryderen på maskinen betjenes.

▶ Fig.25

BEMÆRKNING: Sørg for at se i brugsanvisningen til maskinen, når du bruger støvsugeren med den trådløse aktiveringsfunktion.

BEMÆRKNING: Undlad at adskille eller ændre den trådløse enhed.

BEMÆRKNING: Luk altid låget forsvarligt under brug eller opbevaring for at forhindre, at der kommer støv ind i åbningen på den trådløse enhed.

BEMÆRKNING: Undgå at trykke for hårdt på den trådløse aktiveringsknap og/eller at trykke på knappen med en genstand med en skarp kant.

BEMÆRK: Trådløs aktivering kræver Makita-maskiner, der er udstyret med den trådløse enhed.

BEMÆRK: Før den første brug af den trådløse aktiveringsfunktion med hver maskine kræves der maskinregistrering. Når registreringen er fuldført med maskinen, kræves der ikke omregistrering, medmindre den annulleres.

BEMÆRK: Før registreringen skal du kontrollere, at den trådløse enhed er indsat korrekt.

BEMÆRK: En trådløs enhed kan registrere op til 10 forbindelser til andre trådløse enheder. Hvis der er registreret mere end 10 andre trådløse enheder til én trådløs enhed, bliver den enhed, der er registreret tidligst, automatisk annulleret.

BEMÆRK: Placeringen af den trådløse aktiveringsknap varierer afhængigt af maskinen.

BEMÆRK: Støvsugeren startes også ved at trykke på afbryderknappen, når standby-kontakten er indstillet til "AUTO".

Afbryderknappen aktiveres imidlertid ikke, når den trådløse aktiveringsfunktion anvendes.

Montering af en trådløs enhed

⚠ ADVARSEL: Åbn kun låget, når du monterer den trådløse enhed for første gang. Undlad at åbne låget efter montering af det.

⚠ FORSIGTIG: Placer støvsugeren på en flad og stabil overflade, når den trådløse enhed monteres.

BEMÆRKNING: Fjern støv og snavs fra støvsugeren, før den trådløse enhed monteres. Støv eller snavs kan forårsage funktionsfejl, hvis det kommer ind i åbningen til den trådløse enhed.

BEMÆRKNING: For at forhindre fejlfunktion forårsaget af statisk elektricitet skal du berøre et statisk afledende materiale som f.eks. en metal-del, før du tager den trådløse enhed op.

BEMÆRKNING: Ved montering af den trådløse enhed skal du altid sikre dig, at den trådløse enhed er indsat i den korrekte retning, og at låget er lukket helt.

1. Løsn skruen for at åbne låget på støvsugeren som vist på figuren.

▶ Fig.26: 1. Låg 2. Skruer

2. Sæt den trådløse enhed i åbningen.

Ved indsættelse af den trådløse enhed skal fremspringene justeres i forhold til de forsænkede dele på åbningen.

▶ Fig.27: 1. Trådløs enhed 2. Fremspring 3. Låg 4. Forsænket del

3. Tilspænd skruen helt for at lukke låget.

Maskinregistrering til støvsugeren

BEMÆRK: Du skal bruge en Makita-maskine, der understøtter den trådløse aktiveringsfunktion, til maskinregistreringen.

BEMÆRK: Afslut monteringen af den trådløse enhed på maskinen, før maskinregistreringen startes.

BEMÆRK: Under maskinregistreringen må du ikke trykke på afbryderknappen på maskinen eller tænde for afbryderknappen på støvsugeren.

BEMÆRK: Se også i brugsanvisningen til maskinen.

Hvis du vil aktivere støvsugeren, når afbryderen på maskinen betjenes, skal du først afslutte maskinregistreringen.

1. Monter de trådløse enheder på henholdsvis støvsugeren og maskinen.

2. Sæt batterierne i støvsugeren og maskinen.

3. Sæt standby-kontakten på støvsugeren til "AUTO".

▶ Fig.28: 1. Standby-kontakt

4. Tryk på den trådløse aktiveringsknap på støvsugeren i 3 sekunder, indtil den trådløse aktiveringslampe blinker grønt. Tryk derefter på den trådløse aktiveringsknap på maskinen på samme måde.

▶ Fig.29: 1. Trådløs aktiveringsknap 2. Trådløs aktiveringslampe

Hvis støvsugeren og maskinen sammenkædes korrekt, lyser de trådløse aktiveringslamper grønt i 2 sekunder og begynder at blinke blåt.

BEMÆRK: De trådløse aktiveringslamper holder op med at blinke grønt efter 20 sekunder. Tryk på den trådløse aktiveringsknap på maskinen, når den trådløse aktiveringslampe på støvsugeren blinker. Hvis den trådløse aktiveringslampe ikke blinker grønt, skal du trykke kortvarigt på den trådløse aktiveringsknap og holde den nede igen.

BEMÆRK: Når der udføres to eller flere maskinregistreringer for støvsugeren, skal maskinregistreringerne udføres en for en.

Start af den trådløse aktiveringsfunktion

BEMÆRK: Afslut maskinregistreringen for støvsugeren for trådløs aktivering.

BEMÆRK: Placer altid støvsugeren, så du kan se status for den trådløse aktiveringslampe.

BEMÆRK: Se også i brugsanvisningen til maskinen.

Når en maskine er registreret til støvsugeren, kører støvsugeren automatisk, når afbryderen på maskinen betjenes.

1. Monter de trådløse enheder på henholdsvis støvsugeren og maskinen.
 2. Sæt batterierne i støvsugeren og maskinen.
 3. Slut støvsugerens slange til maskinen.
- **Fig.30**

4. Sæt standby-kontakten på støvsugeren til "AUTO".

► **Fig.31:** 1. Standby-kontakt

5. Tryk kortvarigt på den trådløse aktiveringsknap på maskinen. Den trådløse aktiveringslampe blinker blåt.

► **Fig.32:** 1. Trådløs aktiveringsknap 2. Trådløs aktiveringslampe

6. Tænd for maskinen. Kontroller, om støvsugeren kører, mens maskinen er i drift.

⚠ FORSIGTIG: Kontroller altid, om den trådløse aktiveringsfunktion fungerer, før du påbegynder et stykke arbejde med maskinen.

Tryk på den trådløse aktiveringsknap på maskinen, eller stil standby-kontakten på støvsugeren til "I" eller "O" for at stoppe den trådløse aktivering.

BEMÆRK: Den trådløse aktiveringslampe på maskinen holder op med at blinke blåt, hvis der ikke sker nogen betjening i 2 timer. Indstil i så fald standby-kontakten på støvsugeren til "AUTO", og tryk på den trådløse aktiveringsknap på maskinen igen.

BEMÆRK: Støvsugeren starter/stopper med en forsinkelse. Der er en forsinkelse, når støvsugeren registrerer en betjening af afbryderen på maskinen.

BEMÆRK: Den trådløse enheds transmissionsafstand kan variere afhængigt af placeringen og de omgivende forhold.

BEMÆRK: Når to eller flere maskiner er registreret til en støvsuger, kan støvsugeren begynde at køre, selvom du ikke tænder for maskinen, for en anden bruger anvender den trådløse aktiveringsfunktion.

annullering af maskinregistrering for støvsugeren

Benyt følgende fremgangsmåde ved annullering af maskinregistreringen for støvsugeren.

1. Monter de trådløse enheder på henholdsvis støvsugeren og maskinen.

2. Sæt batterierne i støvsugeren og maskinen.

3. Sæt standby-kontakten på støvsugeren til "AUTO".

► **Fig.33:** 1. Standby-kontakt

4. Tryk på den trådløse aktiveringsknap på støvsugeren i 6 sekunder. Den trådløse aktiveringslampe blinker grønt og bliver derefter rød. Tryk derefter på den trådløse aktiveringsknap på maskinen på samme måde.

► **Fig.34:** 1. Trådløs aktiveringsknap 2. Trådløs aktiveringslampe

Hvis annulleringen gennemføres korrekt, lyser de trådløse aktiveringslamper rødt i 2 sekunder og begynder at blinke blåt.

BEMÆRK: De trådløse aktiveringslamper holder op med at blinke rødt efter 20 sekunder. Tryk på den trådløse aktiveringsknap på maskinen, når den trådløse aktiveringslampe på støvsugeren blinker. Hvis den trådløse aktiveringslampe ikke blinker rødt, skal du trykke kortvarigt på den trådløse aktiveringsknap og holde den nede igen.

Sletning af alle maskinregistreringer

Du kan slette alle maskinregistreringer fra støvsugeren på følgende måde.

► **Fig.35:** 1. Standby-kontakt 2. Trådløs aktiveringsknap 3. Trådløs aktiveringslampe

1. Monter den trådløse enhed på støvsugeren.

2. Sæt batterierne i støvsugeren.

3. Indstil standby-kontakten til "AUTO".

4. Hold den trådløse aktiveringsknap nede i cirka 6 sekunder, indtil den trådløse aktiveringslampe blinker rødt (cirka to gange i sekundet).

5. Fjern fingeren fra den trådløse aktiveringsknap, når den trådløse aktiveringslampe begynder at blinke rødt. Hold derefter den trådløse aktiveringsknap nede igen i cirka 6 sekunder.

6. Når den trådløse aktiveringslampe begynder at blinke hurtigt (cirka 5 gange i sekundet) rødt, skal du fjerne fingeren fra den trådløse aktiveringsknap. Når den trådløse aktiveringslampe løser rødt og derefter slukkes, er alle maskinregistreringer slettet.

BEMÆRK: Hvis den trådløse aktiveringslampe ikke blinker rødt, skal du trykke kortvarigt på den trådløse aktiveringsknap og prøve igen.

Beskrivelse af den trådløse aktiveringslampes status

► **Fig.36:** 1. Trådløs aktiveringsknop 2. Trådløs aktiveringslampe

Den trådløse aktiveringslampe viser status for den trådløse aktiveringsfunktion. Se i tabellen nedenfor vedrørende betydningen af lampens status.

Status	Trådløs aktiveringslampe			Beskrivelse	
	Farve	<input type="checkbox"/> Tændt	<input type="checkbox"/> Blinker		Varighed (cirka)
Standby	Blå	<input type="checkbox"/>		Støvsuger: kontinuerligt Maskine: 2 timer	Venter på maskinregistreringen, eller at den trådløse aktiveringsfunktion er tilgængelig. Lampen på støvsugeren blinker, når standby-kontakten er indstillet til "AUTO". Lampen på maskinen blinker, når der trykkes på den trådløse aktiveringsknop. Lampen på maskinen slukkes automatisk, hvis der ikke sker nogen betjening i 2 timer.
		<input type="checkbox"/>		Når maskinen kører.	Den trådløse aktivering af støvsugeren er tilgængelig, og maskinen kører.
Maskinregistrering	Grøn	<input type="checkbox"/>		20 sekunder	Klar til maskinregistrering. Søger efter den maskine, der skal registreres.
		<input type="checkbox"/>		2 sekunder	Maskinregistreringen er fuldført. Den trådløse aktiveringslampe begynder at blinke blåt.
Annullering/sletning af maskinregistrering	Rød	<input type="checkbox"/>		20 sekunder (langsom: 2 gange/sek.)	Klar til annullering af maskinregistrering. Søger efter den maskine, der skal annulleres.
		<input type="checkbox"/>		Når der trykkes ned på den trådløse aktiveringsknop.	Klar til at slette alle maskinregistreringer.
		<input type="checkbox"/>		2 sekunder	Maskinregistreringen er annulleret/slettet. Den trådløse aktiveringslampe begynder at blinke blåt.
Andre	Rød	<input type="checkbox"/>		3 sekunder	Der er strøm til den trådløse enhed, og den trådløse aktiveringsfunktion starter.
	Slukket	-		-	Standby-kontakten er ikke indstillet til "AUTO".

Fejlfinding i forbindelse med den trådløse aktiveringsfunktion

Udfør selv en inspektion, inden De anmoder om reparation. Hvis De opdager et problem, som ikke er forklaret i brugsanvisningen, må De ikke forsøge at adskille maskinen. Rådfør Dem i stedet med et autoriseret Makita Servicecenter, og brug altid originale Makita udskiftningsdele til reparationer.

Unormal tilstand	Sandsynlig årsag (fejl)	Afhjælpning
Den trådløse aktiveringslampe tændes/blinker ikke.	Den trådløse enhed er ikke monteret på støvsugeren og/eller maskinen. Den trådløse enhed er monteret forkert på støvsugeren og/eller maskinen.	Monter den trådløse enhed korrekt.
	Der er ikke trykket på den trådløse aktiveringsknap på maskinen.	Tryk kortvarigt på den trådløse aktiveringsknap på maskinen.
	Standby-kontakten på støvsugeren er ikke indstillet til "AUTO".	Sæt standby-kontakten på støvsugeren til "AUTO".
	Ingen strømforsyning	Tilfør strøm til maskinen og støvsugeren.
Kan ikke afslutte maskinregistrering/ annullering af maskinregistrering korrekt.	Den trådløse enhed er ikke monteret på støvsugeren og/eller maskinen. Den trådløse enhed er monteret forkert på støvsugeren og/eller maskinen.	Monter den trådløse enhed korrekt.
	Standby-kontakten på støvsugeren er ikke indstillet til "AUTO".	Sæt standby-kontakten på støvsugeren til "AUTO".
	Ingen strømforsyning	Tilfør strøm til maskinen og støvsugeren.
	Forkert betjening	Tryk kortvarigt på den trådløse aktiveringsknap, og udfør procedurerne for maskinregistrering/annullering igen.
	Maskinen og støvsugeren er ikke i nærheden af hinanden (uden for transmissionsafstand).	Flyt maskinen og støvsugeren tættere på hinanden. Den maksimale transmissionsafstand er cirka 10 m, men kan variere afhængigt af forholdene.
	Før du afslutter registreringen/annulleringen af maskinen; - er afbryderen på maskinen tændt eller; - er tænd/sluk-knappen på støvsugeren tændt.	Tryk kortvarigt på den trådløse aktiveringsknap, og udfør procedurerne for maskinregistrering/annullering igen.
	Maskinregistreringsprocedurerne for maskinen eller støvsugeren er ikke fuldført.	Udfør maskinregistreringsprocedurerne både på maskinen og støvsugeren på samme tid.
	Radiointerferens fra andre apparater, der udsender højfrekvent radiobølger.	Hold maskinen og støvsugeren væk fra apparater som f.eks. Wi-Fi-enheder og mikrobølgeovne.
Støvsugeren kører ikke, når afbryderen på maskinen betjenes.	Den trådløse enhed er ikke monteret på støvsugeren og/eller maskinen. Den trådløse enhed er monteret forkert på støvsugeren og/eller maskinen.	Monter den trådløse enhed korrekt.
	Der er ikke trykket på den trådløse aktiveringsknap på maskinen.	Tryk kortvarigt på den trådløse aktiveringsknap, og kontroller, at den trådløse aktiveringslampe blinker blåt.
	Standby-kontakten på støvsugeren er ikke indstillet til "AUTO".	Sæt standby-kontakten på støvsugeren til "AUTO".
	Der er registreret mere end 10 maskiner til støvsugeren.	Udfør maskinregistreringen igen. Hvis der er registreret mere end 10 maskiner til støvsugeren, bliver den maskine, der blev registreret tidligst, automatisk annulleret.
	Støvsugeren har slettet alle maskinregistreringer.	Udfør maskinregistreringen igen.
	Ingen strømforsyning	Tilfør strøm til maskinen og støvsugeren.
	Maskinen og støvsugeren er ikke i nærheden af hinanden (uden for transmissionsafstand).	Flyt maskinen og støvsugeren tættere på hinanden. Den maksimale transmissionsafstand er cirka 10 m, men kan variere afhængigt af forholdene.
	Radiointerferens fra andre apparater, der udsender højfrekvent radiobølger.	Hold maskinen og støvsugeren væk fra apparater som f.eks. Wi-Fi-enheder og mikrobølgeovne.
Støvsugeren kører, mens maskinen ikke er i drift.	Andre brugere anvender den trådløse aktivering af støvsugeren med deres maskiner.	Deaktiver den trådløse aktiveringsknap på de andre maskiner, eller annuller maskinregistreringen af de andre maskiner.

Unormal tilstand	Sandsynlig årsag (fejl)	Afhjælpning
Det er ikke muligt at slette alle maskinregistreringer fra støvsugeren.	Der trykkes på den trådløse knap på maskinen.	Tryk på den trådløse knap på støvsugeren for at slette alle maskinregistreringer.
	Standby-kontakten på støvsugeren er ikke indstillet til "AUTO".	Sæt standby-kontakten på støvsugeren til "AUTO".
	Der holdes ikke korrekt ned på den trådløse aktiveringsknap.	Hold den trådløse aktiveringsknap nede i mere end 6 sekunder, og slip den derefter, når den trådløse aktiveringslampe blinker rødt. Hold den trådløse aktiveringsknap nede i cirka 6 sekunder igen, indtil den trådløse aktiveringsknap blinker hurtigt rødt, og slip derefter knappen.

VEDLIGEHOOLDELSE

⚠ ADVARSEL: Brug altid et P2-åndedrætsværn under vedligeholdelse.

⚠ FORSIGTIG: Sørg altid for, at apparatet er slukket, og at akkuerne er afmonteret, før du forsøger at udføre inspektion eller vedligeholdelse.

⚠ FORSIGTIG: En teknisk inspektion, herunder inspektion af filtre, lufttæthed og kontrolmekanisme, skal udføres mindst én gang om året af en instrueret person.

⚠ FORSIGTIG: Under vedligeholdelse skal alle forurenede genstande, som ikke kan rengøres tilfredsstillende, bortskaffes. Sådanne genstande skal bortskaffes i uigennemtrængelige poser, der er i overensstemmelse med landets lovgivning.

⚠ FORSIGTIG: Efter betjeningen i det farlige område skal ydersiden af maskinen renses for urenheder ved hjælp af støvsugermetoder og tørres ren eller behandles med tætningsmiddel, før du tager maskinen ud af et farligt område. Alle dele af maskinen skal betragtes som forurenede, når de fjernes fra det farlige område, og der skal træffes passende foranstaltninger for at forhindre støvsprejning.

⚠ FORSIGTIG: Skift filtre, når filtrene er tilstoppet med støv, eller hvis du mener, at støvsugerens ydeevne er faldet.

⚠ FORSIGTIG: Kontrollér filtrene med jævne mellemrum. Hvis der er rifter på filtrene, skal de udskiftes med det samme.

BEMÆRKNING: Anvend aldrig benzin, rensebenzin, fortynder, alkohol og lignende. Det kan medføre misfarvning, deformation eller revner.

For at opretholde produktets SIKKERHED og PÅLIDELIGHED må reparation, vedligeholdelse eller justering kun udføres af et autoriseret Makita servicecenter eller fabrikksservicecenter med anvendelse af Makita reservedele.

Afmontering af filterenheden

⚠ FORSIGTIG: Vent i ca. 5 minutter, så støvet i tanken falder helt til ro.

⚠ FORSIGTIG: Pas på, at støvet ikke trænger ind i tankdækslet, når du afmonterer filterenheden.

Filterenheden er monteret på hovedenheden. Den består af en topplade, forfiltere, dæmpere og pulverfiltere.

1. Løsn låsekroge, og løft hovedenheden op fra tanken.
2. Afmonter filterenheden fra hovedenheden som vist på figuren.

► Fig.37: 1. Lås 2. Filterenhed

Afmontering af pulverfilter og forfilter

Løft op i knappen, og afmonter filtrene fra toppladen.

► Fig.38: 1. Topplade 2. Filtre 3. Knap

For at forhindre støv i at svæve i luften, er det bedst at afmontere filtre i polyætylenposen.

Når du bærer filterenheden for at rengøre den, skal du binde en polyætylenpose fast.

► Fig.39: 1. Filterenhed 2. Polyætylenpose

► Fig.40: 1. Topplade 2. Filtre 3. Polyætylenpose

Rengøring af pulverfilter, forfilter og dæmper

Rens filtrene og dæmperen af og til. Tilstoppede filtre og dæmpere kan medføre dårlig sugeevne.

Fjern jævnlige ophobet støv fra filtre og dæmper. Vask af og til pulverfilteret, forfilteret og dæmperen i vand, skyl og tør grundigt i skyggen før brug. Undlad at vaske dem i en vaskemaskine.

► Fig.41

BEMÆRK: Undlad at gnubbe eller ridse pulverfilteret, forfilteret eller dæmperen med hårde genstande som f.eks. en børste og et banketræ.

BEMÆRK: Filtrene slides op i tidens løb. Det anbefales at have reservedele liggende.

Montering af pulverfilter og forfilter

BEMÆRKNING: Pulverfilteret og forfilteret kan opsuge både tørt støv og vådt støv. Sørg for, at vandstandssensorerne aktiveres korrekt for at forhindre, at pulverfilteret går i stykker.

Hægt filterenhedens kanter fast til den øverste plade, og sænk derefter knappen.

► Fig.42: 1. Kant 2. Knap

BEMÆRKNING: Før brug af pulverfilteret skal du sikre dig, at forfilteret og dæmperen altid bruges sammen. Du må ikke nøjes med kun at montere pulverfilteret.

Samling af filtrene

Når du får filtrene separat, skal du samle dem som vist på figuren.

► Fig.43: 1. Pulverfilter 2. Dæmper 3. Forfilter

Montering af filterenheden

Når du har monteret filtrene på toppladen, skal du hægte filterenhedens huller på de U-formede dele af det indvendige dæksel. Lås derefter låsen som vist på figuren.

► Fig.44: 1. U-formet del 2. Hul 3. Lås

Montering af vandfilter

Ekstraudstyr

BEMÆRKNING: Til opsugning af vådt støv skal du sørge for, at vandstandssensorerne aktiveres korrekt.

BEMÆRKNING: Undlad at bruge forfilter og dæmper, når du bruger et vandfilter.

For kun at opsuge vand eller vådt støv er vandfilteret mere egnet end pulverfilteret og forfilteret.

Når du monterer vandfilteret, skal du montere vandfilteret på toppladen på samme måde som pulverfilteret og forfilteret.

► Fig.45

BEMÆRK: Det anbefales at bruge et vandfilter, når der opsuges store mængder vand gentagne gange. Ellers kan sugsevnen reduceres i tilfælde af pulverfilteret og forfilteret.

Rengøring af vandstandssensorerne

Vandstandssensorerne registrerer væske, når tanken bliver fuld af væske. Rengør vandstandssensorerne med en blød klud fra tid til anden, når du skifter filtre.

► Fig.46: 1. Vandstandssensor

Opbevaring af tilbehør

Tilbehør og udstyr, der ikke er i brug, som f.eks. mundstykker, rør og en hætte, kan opbevares hængende på krogen bag på støvsugeren.

► Fig.47: 1. Tilbehør og udstyr, der ikke er i brug 2. Hætte

Rør (med en valgfri stopper monteret) kan anbringes i rørholderen, når støvsugeren ikke bruges i kort tid.

► Fig.48: 1. Stopper (ekstraudstyr) 2. Rørholder

En slange kan vikles og opbevares omkring støvsugerens hus eller håndtag i store løkker. Tilslut begge ender sammen for at lave løkker, og hæng løkkerne fast i det løftede håndtag. Alternativt kan rodenden holdes monteret i slangeindløbet og hænge løkkerne på multikrogen med den løse ende bundet.

► Fig.49

► Fig.50

EKSTRAUDSTYR

⚠FORSIGTIG: Det følgende tilbehør og ekstraudstyr er anbefalet til brug med Deres Makita maskine, der er beskrevet i denne brugsanvisning. Anvendelse af andet tilbehør eller ekstraudstyr kan udgøre en risiko for personskade. Anvend kun tilbehør og ekstraudstyr til det beskrevne formål.

Hvis De behøver hjælp ved valg af tilbehør eller ønsker yderligere informationer, bedes De kontakte Deres lokale Makita servicecenter.

- Slange
- Forreste manchetter (22, 24, 38)
- Lige rør
- Hjørnemundstykke
- Rund børste
- Pulverfilter M, H (HEPA)
- Dæmper
- Forfilter
- Vandfilter
- Mundstykkemontering
- Bøjet rør
- Polyætylenpose
- Filterpose
- Hætte
- Original Makita-akku og oplader
- Trådløs enhed
- MAKPAC

BEMÆRK: Nogle ting på denne liste kan være inkluderet i værktøjspakken som standardtilbehør. Det kan være forskellige fra land til land.

BRĪDINĀJUMS

- Šo mašīnu nav paredzēts izmantot personām (tostarp bērniem) ar samazinātām fiziskām, maņu vai garīgām spējām vai personām bez pieredzes un zināšanām.
- Bērni ir jāuzrauga, lai tie nerotaļātos ar ierīci.
- Lai uzzinātu akumulatora tipu, skatiet nodaļu „TEHNISKIE DATI”.
- Lai uzzinātu, kā uzstādīt vai izņemt akumulatoru, skatiet sadaļu „Akumulatora kasetnes uzstādīšana un izņemšana”.
- Lai utilizētu akumulatora kasetni, izņemiet to no darbarīka un likvidējiet drošā vietā. Ievērojiet vietējos noteikumus par akumulatoru likvidēšanu.
- Ja darbarīks netiks lietots ilgu laiku, no tā jāizņem akumulators.
- Neradiet akumulatora kasetnes īssavienojumu.
- Informāciju par atbilstošiem piesardzības pasākumiem apkopes darbu laikā skatiet nodaļā „APKOPE”.

SPECIFIKĀCIJAS

Modelis:		VC006GM
Maksimālais gaisa apjoms šļūtenes galā	Ar BL4050F, ø28 mm x 3,5 m šļūteni	2,0 m ³ /min
	Ar BL4050F, ø38 mm x 2,5 m šļūteni	3,7 m ³ /min
Maksimālais gaisa apjoms pie turbīnas (ar BL4050F)		4,9 m ³ /min
Vakuums (ar BL4050F)		18 kPa
Atgūstamais tilpums	Putekļi	40 l
	Ūdens	30 l
Izmēri (G x P x A)		586 mm x 385 mm x 598 mm
Nominālais spriegums		Līdzstrāva 72 V–80 V maks.
Tīrsvars		18,4–20,8 kg
Aizsardzības pakāpe		IPX4

- Nepārtrauktās izpētes un izstrādes programmas dēļ šeit uzrādītās specifikācijas var tikt mainītas bez brīdinājuma.
- Specifikācijas var atšķirties dažādās valstīs.
- Svarā nav iekļauti nekādi piederumi, izņemot akumulatora kasetni(-es). Vieglākās un smagākās ierīces un akumulatora kasetnes (kasetņu) kombinācijas svars ir norādīts tabulā.

Piemērotā akumulatora kasetne un lādētājs

Akumulatora kasetne	BL4020 / BL4025 / BL4040* / BL4050F* / BL4080F* *: Ieteicamais akumulators
Lādētājs	DC40RA / DC40RB / DC40RC

- Daži no iepriekš norādītajiem lādētājiem un akumulatora kasetnēm var nebūt pieejami atkarībā no jūsu mītnes reģiona.

▲BRĪDINĀJUMS: Izmantojiet vienīgi iepriekš norādītās akumulatora kasetnes un lādētājus. Cita tipa akumulatora kasetņu un lādētāju izmantošana var radīt traumu un/vai aizdegšanās risku.

Simboli

Tālāk ir attēloti simboli, kas var attiekties uz darbarīka lietošanu. Pirms darbarīka izmantošanas pārliecinieties, vai pareizi izprotat to nozīmi.



Izlasiet lietošanas rokasgrāmatu.



Esiet īpaši rūpīgs un uzmanīgs.



Brīdinājums! Putekļsūcējā var būt kaitīgi putekļi.



Nekad nestāviet uz putekļsūcēja.



Nekādā gadījumā nenovietojiet uz putekļsūcēja neko smagāku par 20 kg (44 mārciņām).



Putekļu klase M (vidēja): putekļu atdalīšanai ar profesionālās saskares ierobežojuma vērtību, ne mazāku par 0,1 mg/m³. Putekļsūcējs spēj savākt L un M klases putekļus. Ievērojiet jūsu valstī spēkā esošos noteikumus attiecībā uz putekļiem, kā arī arodveselību un drošību.



Tikai ES valstīm
Tā kā šajā aprīkojumā ir bīstamas sastāvdaļas, elektrisko un elektronisko iekārtu, akumulatoru un bateriju atkritumi var negatīvi ietekmēt apkārtējo vidi un cilvēka veselību.
Elektroierīces, elektroniskās ierīces un akumulatorus nedrīkst izmest kopā ar mājsaimniecības atkritumiem!
Saskaņā ar Eiropas direktīvu par elektrisko un elektronisko iekārtu atkritumiem, akumulatoriem un baterijām, kā arī akumulatoru un bateriju atkritumiem un šīs direktīvas pielāgošanu valsts tiesību aktiem elektrisko un elektronisko iekārtu, bateriju un akumulatoru atkritumi ir jāglabā atsevišķi un jānogādā uz sadzīves atkritumu dalītās savākšanas vietu, ievērojot attiecīgos vides aizsardzības noteikumus.
Par to liecina uz iekārtas redzams simbols ar pārsvītrotu atkritumu konteineru uz rīteniem.

Paredzētā lietošana

Ierīce ir paredzēta gan mitru, gan sausu putekļu savākšanai. Ierīce ir piemērota komerciālai lietošanai, piemēram, viesnīcās, skolās, slimnīcās, rūpnīcās, veikalos, birojos, kā arī iznomāšanai.

Trokšņa līmenis

Tipiskais A svērtais trokšņa līmenis noteikts saskaņā ar EN60335-2-69:

Skaņas spiediena līmenis (L_{pA}): 70 dB (A) vai mazāk
Mainīgums (K): 2,5 dB (A)

Darbības laikā trokšņa līmenis var pārsniegt 80 dB (A).

PIEZĪME: Paziņotā trokšņa emisijas vērtība noteikta atbilstoši standarta pārbaudes metodei, un to var izmantot, lai salīdzinātu vienu darbarīku ar citu.

PIEZĪME: Paziņoto trokšņa emisijas vērtību arī var izmantot iedarbības sākotnējā novērtējumā.

▲BRĪDINĀJUMS: Lietojiet ausu aizsargus.

▲BRĪDINĀJUMS: Trokšņa emisija patiesos darba apstākļos var atšķirties no paziņotās vērtības atkarībā no darbarīka izmantošanas veida un jo īpaši atkarībā no apstrādājamā materiāla veida.

▲BRĪDINĀJUMS: Lai aizsargātu lietotāju, nosakiet drošības pasākumus, kas pamatoti ar iedarbību reālos darba apstākļos (ņemot vērā visus ekspluatācijas cikla posmus, piemēram, laiku, kamēr darbarīks ir izslēgts un kad darbojas tukšgaitā, kā arī palaišanas laiku).

Vibrācija

Vibrācijas kopējā vērtība (trīsasu vektora summa)

noteikta atbilstoši EN60335-2-69:

Vibrācijas emisija ($a_{h,M}$): 2,5 m/s² vai mazāk
Mainīgums (K): 1,5 m/s²

PIEZĪME: Paziņotā kopējā vibrācijas vērtība noteikta atbilstoši standarta pārbaudes metodei, un to var izmantot, lai salīdzinātu vienu darbarīku ar citu.

PIEZĪME: Paziņoto kopējo vibrācijas vērtību arī var izmantot iedarbības sākotnējā novērtējumā.

▲BRĪDINĀJUMS: Vibrācijas emisija patiesos darba apstākļos var atšķirties no paziņotās vērtības atkarībā no darbarīka izmantošanas veida un jo īpaši atkarībā no apstrādājamā materiāla veida.

▲BRĪDINĀJUMS: Lai aizsargātu lietotāju, nosakiet drošības pasākumus, kas pamatoti ar iedarbību reālos darba apstākļos (ņemot vērā visus ekspluatācijas cikla posmus, piemēram, laiku, kamēr darbarīks ir izslēgts un kad darbojas tukšgaitā, kā arī palaišanas laiku).

EK atbilstības deklarācija

Tikai Eiropas valstīm

EK atbilstības deklarācija šajā lietošanas rokasgrāmatā ir iekļauta kā A pielikums.

DROŠĪBAS BRĪDINĀJUMI

Drošības brīdinājumi bezvadu putekļsūcēja lietošanai

▲BRĪDINĀJUMS: SVARĪGI! PIRMS LIETOŠANAS UZMANĪGI IZLASIET visus drošības brīdinājumus un visus norādījumus. Brīdinājumu un norādījumu neievērošanas gadījumā var rasties elektrotrauma, aizdegšanās un/vai smagas traumas.

1. Pirms lietošanas pārliecinieties, ka lietotājs ir pienācīgi apmācīts šā putekļu sūcēja lietošanā.
2. Pirms darbarīka izmantošanas operatoriem ir jāsaņem informācija, norādes un apmācība par darbarīka lietošanu un par vielām, kuras drīkst savākt ar darbarīku, kā arī par drošu metodi, kā izņemt un likvidēt savāktās vielas.

3. Ja izplūst putas/šķidrums, nekavējoties izslēdziet.
4. Regulāri tīriet ūdens līmeņa ierobežotāju un pārbaudiet, vai tas nav bojāts.
5. Pirms ierīces izmantošanas vienmēr pārbaudiet, vai filtri ir uzstādīti pareizi. Neizmantojiet putekļsūcēju, ja nav ievietoti filtri. Nekavējoties nomainiet bojātu filtru. Iesakām rezervē glabāt dažus filtrus, jo tie nolietojas.
6. **NEPIEĻAUJIET NEJAUŠU IEDARBINĀŠANU.** Akumulatora(-u) ievietošanas laikā slēdzim jābūt izslēgtam (OFF).
7. Nemēģiniet savākt viegli uzliesmojošus materiālus, pirotehniku, aizdedzinātas cigaretes, karstus pelnus, karstas metāla skaidas un asus priekšmetus, piemēram, žiletas, adatas, sasītu stiklu u. tml.
8. **NEKĀDĀ GADĪJUMĀ NEIZMANTOJIET PUTEKĻU SŪCĒJU, JA TUVUMĀ ATRODAS DEGVIELA, GĀZE, KRĀSA, LĪME VAI CITAS VIELAS AR AUGSTU SPRĀDZIENBĪSTAMĪBU.** Slēdzi ieslēdzot (ON) vai izslēdzot (OFF), rodas dzirksteles. Dzirksteles rodas arī no motora kolektora darbības laikā. Tas var izraisīt bīstamu sprādzienu.
9. Nekad neiesūciet toksiskus, kancerogēnus, ugunsnedrošus vai citus kaitīgus materiālus, piemēram, azbestu, arsēnu, bāriju, beriliju, svīnu, pesticīdus vai citus materiālus, kas apdraud veselību.
10. Vienmēr novietojiet putekļu sūcēju uz horizontālas plakānas virsmas, lai novērstu tā nokrišanu vai neparedzētu pārvietošanos.
11. Nekādā gadījumā neizmantojiet putekļu sūcēju ārpus telpām lietū.
12. Šo iekārtu Somijā nedrīkst lietot ārpus telpām zemā temperatūrā.
13. Nelietojiet siltuma avotu (piem., krāsns u. c.) tuvumā.
14. Ja izplūdes gaiss nonāk atpakaļ telpā, jāgādā par pietiekamu telpas gaisa ventilāciju. Nepieciešams atsaukties uz valsts normatīviem.
15. Neaizsprostojiet iesūkšanas/pūšanas/dzesēšanas atveres. Šīs atveres dzesē motoru. Īpaši uzmanieties, lai neveidotos nosprostojums, citādi motors sadegs ventilācijas trūkuma dēļ.
16. Vienmēr stingri stāviet uz droša pamata, saglabājot līdzsvaru.
17. Nelokiet, neraujiet šļūteni un nekāpiet tai virsū.
18. Ja izmantošanas laikā ierīce nedarbojas pareizi vai pamanāt jebkādas novirzes, nekavējoties izslēdziet putekļu sūcēju.
19. **IZŅEMIET AKUMULATORU(-US).** Ja ierīci neizmantojat, pirms tās tehniskās apkopes un piederumu maiņas.
20. Tīriet un apkopiet putekļu sūcēju uzreiz pēc katras lietošanas reizes, lai uzturētu to ideālā lietošanas kārtībā.
21. **APKOPIET PUTEKĻU SŪCĒJU RŪPĪGI.** Uzturiet putekļu sūcēju tīru, lai tas darbotos labi un droši. Ievērojiet piederumu maiņas norādījumus. Uzturiet rokturus sausus un tīrus; rūpējieties, lai uz tiem nebūtu eļļas un smērvielu.
22. **PĀRBAUDIET, VAI NAV BOJĀTU DAĻU.** Pirms turpināt lietot ierīci, aizsargu vai citu daļu, kas bijusi bojāta, rūpīgi pārbaudiet, lai noteiktu, vai tā pareizi darbosies un izpildīs savas funkcijas. Pārbaudiet, vai kustīgās daļas ir pareizi savīzītas, brīvi kustas, nav salūzušas; pārbaudiet to stiprinājumus un citus apstākļus, kas var ietekmēt putekļu sūcēja darbību. Bojātais aizsargs vai citas daļas jāmaina vai jāremontē pilnvarotā apkopes centrā, ja vien šajā lietošanas rokasgrāmatā nav norādīts citādi. Bojātus slēdžus nomainiet pilnvarotā apkopes centrā. Neizmantojiet putekļu sūcēju, ja ar slēdzi to nevar ieslēgt un izslēgt.
23. Lietotāju apkalpošanai iekārta jāizjauca, jāiztīra un tai jāveic apkope, ciktāl tas ir praktiski iespējams, neradot risku apkopes darbiniekiem un citām personām.
24. Ražotājam vai apmācītai personai vismaz reizi gadā jāveic darbarīka tehniskā apskate, tajā jāpārbauda, vai filtri nav bojāti, vai darbarīks ir hermētiski noslēgts un vai vadības mehānisms ir labā darba kārtībā.
25. Veicot tehniskās apkopes vai remonta darbus, visi piesārņotie priekšmeti, ko nav iespējams pienācīgi notīrīt, ir jālikvidē; šādi priekšmeti ir jālikvidē necaurlaidīgos maisos atbilstīgi pašreiz jūsu valstī spēkā esošajai regulai par šādu atkritumu likvidēšanu.
26. **REZERVES DAĻAS.** Veicot apkopi, izmantojiet tikai oriģinālās rezerves daļas.
27. **NEIZMANTOTA PUTEKĻU SŪCĒJA UZGLABĀŠANA.** Ja putekļu sūcēju neizmantojat, tas jāuzglabā iekšējā telpā.
28. Mitrie filtri un šķidruma trauka iekšpuse pirms glabāšanas jāizžāvē.
29. Saudzējiet putekļu sūcēju. Nevīzīgi izturoties, var sabojāt pat vizitūrīgāko putekļu sūcēju.
30. Netīriet ierīces ārpusi un iekšpusi ar benzīnu, šķīdinātāju vai citām tīrīšanas ķīmikālijām. Tas var radīt plaisas un izbalēšanu.
31. Neizmantojiet putekļu sūcēju ierobežotā vietā, kur izdalās viegli uzliesmojoši, eksplozīvi vai toksiski izgarojumi no eļļas krāsas, krāsas šķīdinātāja, degvielas, dažiem pretkožu līdzekļiem u. c., vai vietās, kur ir ugunsdroši putekļi.
32. Nelietojiet šo vai citas ierīces, ja esat narkotisko vielu vai alkohola ietekmē.
33. Galvenais drošības noteikums ir aizsargbrīļi vai aizsargbrīļļu ar sānu aizsargiem lietošana.
34. Putekļainos apstākļos izmantojiet putekļu masku.
35. Šo mašīnu nav paredzēts izmantot personām (tostarp bērniem) ar samazinātām fiziskām, maņu vai garīgām spējām vai personām bez pieredzes un zināšanām.
36. Bērni ir jāuzrauga, lai tie nerotaļātos ar ierīci.
37. Neņemiet akumulatoru(-us) vai putekļsūcēju ar mitrām rokām.
38. Īpaši uzmanieties, tīrot uz kāpnēm.
39. Neizmantojiet putekļu sūcēju kā pakāpienu vai darbagaldū. Mašīna var nokrist un radīt traumas.

Bezvada darbarīka lietošana un apkope

1. **Uzļādei izmantojiet tikai ražotāja norādītos lādētājus.** Vienam akumulatoru tipam paredzēta uzlādētāja izmantošana cita tipa akumulatoru uzlādei var radīt aizdegšanās bīstamību.
2. **Izmantojiet mehanizētos darbarīkus tikai ar paredzētajiem akumulatoriem.** Jebkura cita tipa akumulatoru izmantošana var radīt traumu un aizdegšanās bīstamību.
3. **Kamēr akumulators netiek izmantots, neturiet to blakus metāla priekšmetiem, piemēram, saspraudēm, monētām, atslēgām, naglām, skrūvēm un citiem nelieliem metāla priekšmetiem, kas var savienot izvadus.** Akumulatora spaiļu īssavienojums var izraisīt apdegumus vai aizdegšanos.
4. **Nepareizas lietošanas gadījumā no akumulatora var iztecēt šķidrums, nepieskarieties tam.** Ja nejauši pieskārāties šķidrumam, noskalojiet skarto vietu ar ūdeni. Ja šķidrums nokļūst acīs, papildus iepriekš minētajam, vērsieties pie ārsta. No akumulatora iztecējušais šķidrums var izraisīt kairinājumu vai apdegumus.
5. **Ja akumulatora bloks vai darbarīks ir bojāts vai pārveidots, nelietojiet to.** Bojāti vai pārveidoti akumulatori var darboties nepareizi, izraisot aizdegšanos, sprādzienu vai traumu.
6. **Akumulatora bloku un darbarīku nepakļaujiet uguns un pārmērīgi augstas temperatūras ietekmei.** Ja akumulatora bloks vai darbarīks tiek pakļauts uguns vai par 130 °C augstākas temperatūras iedarbībai, var notikt sprādziens.
7. **Izpildiet visus uzlādes norādījumus un neuzlādējiet akumulatora bloku ārpus norādītajos noteiktā temperatūras diapazona.** Nepareiza uzlāde vai temperatūra, kas ir ārpus noteiktā diapazona, var sabojāt akumulatoru un palielināt aizdegšanās draudus.

SAGLABĀJIET ŠOS NORĀDĪJUMUS.

⚠ BRĪDINĀJUMS: NEPIEĻAUJIET to, ka labu iemaņu vai izstrādājuma labas pārzināšanas (darbarīku atkārtoti ekspluatējot) rezultātā vairs stingri neievērojat šī izstrādājuma drošības noteikumus. NEPAREIZI LIETOJOT darbarīku vai neievērojot šajā instrukcijā rokasgrāmatā minētos drošības noteikumus, var tikt gūtas smagas traumas.

Svarīgi drošības norādījumi par akumulatora kasetni

1. **Pirms akumulatora lietošanas izlasiet visus norādījumus un brīdinājumus, kuri attiecas uz (1) akumulatora lādētāju, (2) akumulatoru un (3) ierīci, kurā tiek izmantots akumulators.**
2. **Akumulatora kasetni nedrīkst ne pārveidot, ne izjaukt.** Citādi var tikt izraisīta aizdegšanās, pārmērīgs karstums vai sprādziens.
3. **Ja akumulatora darbības laiks kļūva ievērojami īsāks, nekavējoties pārtrauciet to izmantot.** Citādi, tas var izraisīt pārkarsējumu, uzliesmojumu vai pat sprādzienu.

4. **Ja elektrolīts nonāk acīs, izskalojiet tās ar tīru ūdeni un nekavējoties griezieties pie ārsta.** Tas var izraisīt redzes zaudēšanu.
5. **Neradiet īssavienojumu akumulatora kasetnē:**
 - (1) **Nepieskarieties spaiļiem ar elektrību vadošiem materiāliem.**
 - (2) **Neuzglabājiet akumulatoru kasetni kopā ar citiem metāla priekšmetiem, tādiem kā naglas, monētas u. c.**
 - (3) **Nepakļaujiet akumulatora kasetni ūdens vai lietus iedarbībai.****Akumulatora īssavienojums var radīt spēcīgu strāvas plūsmu, pārkaršanu, uzliesmojumu un pat sabojāt akumulatoru.**
6. **Neglabājiet neizmantojiet darbarīku un akumulatora kasetni vietās, kur temperatūra var sasniegt vai pārsniegt 50 °C (122 °F).**
7. **Nedeziniet akumulatora kasetni, pat ja tā ir stipri bojāta vai pilnībā nolietota.** Akumulatora kasetne ugunī var eksplodēt.
8. **Akumulatora kasetni nedrīkst naglot, griezt, saspiegt, mest vai nomest, kā arī pa to nedrīkst sist ar cietu priekšmetu.** Šādas darbības var izraisīt aizdegšanos, pārmērīgu karstumu vai sprādzienu.
9. **Neizmantojiet bojātu akumulatoru.**
10. **Uz izmantotajiem lītiņa jonu akumulatoriem attiecas likumdošanas prasības par bīstamiem izstrādājumiem.**

Komerציאלā transportēšanā, ko veic, piemēram, trešās puses, transporta uzņēmumi, jāievēro uz iesaiņojuma un marķējuma norādītās īpašās prasības.

Lai izstrādājumu sagatavotu nosūtīšanai, jāsažinās ar bīstamo materiālu speciālistu. Ievērojiet arī citus attiecināmos valsts noteikumus.

Vajļējus kontaktus nosedziet ar līmlenti vai citādi pārklājiet, bet akumulatoru iesaiņojiet tā, lai sānīt tas nevarētu izkustēties.
11. **Lai utilizētu akumulatora kasetni, izņemiet to no darbarīka un likvidējiet drošā vietā.** Ievērojiet vietējos noteikumus par akumulatora likvidēšanu.
12. **Izmantojiet šos akumulatorus tikai ar izstrādājumiem, kurus norādījis Makita.** Ievietojot šos akumulatorus nesaderīgos izstrādājumos, var rasties ugunsgrēks, pārmērīgs karstums, tie var uzsprāgt vai no tiem var iztecēt elektrolīts.
13. **Ja darbarīks netiks lietots ilgu laiku, no tā jāizņem akumulators.**
14. **Lietošanas laikā vai pēc tās akumulatora kasetne var uzkrāt siltumu, kas var izraisīt apdegumus vai zemas temperatūras apdegumus.** Ar karstu akumulatora kasetni apejieties rūpīgi.
15. **Nepieskarieties darbarīka izvadam uzreiz pēc lietošanas, jo tas var būt sakarsis un izraisīt apdegumus.**
16. **Neļaujiet akumulatora kasetnes spaiļēs, atvērēs un rievās uzkrāties skaidām, putekļiem vai netīrumiem.** Tas var izraisīt sasilšanu, aizdegšanos, sprādzienu instrumenta vai akumulatora kasetnes nepareizu darbību, un lietotājs var gūt apdegumus vai ievainojumus.

17. Neizmantojiet akumulatora kasetni augstsprieguma līniju tuvumā, izņemot gadījumus, kad darbarīks ir piemērots lietošanai augstsprieguma līniju tuvumā. Citādi darbarīks vai akumulatora kasetne var sākt darboties nepareizi vai tikt sabojāti.
18. Glabājiet akumulatoru bērniem nepieejamā vietā.

SAGLABĀJIET ŠOS NORĀDĪJUMUS.

⚠UZMANĪBU: Lietojiet tikai oriģinālos Makita akumulatorus. Ja lietojat neoriģinālus Makita akumulatorus vai pārveidotus akumulatorus, tie var uzsprāgt un izraisīt aizdegšanos, traumas un materiālos zaudējumus. Tīks anulēta arī Makita darbarīka un lādētāja garantija.

Ieteikumi akumulatora kalpošanas laika pagarināšanai

1. Uzlādējiet akumulatora kasetni, pirms tā ir pilnībā izlādējusies. Vienmēr, kad ievērojat, ka darbarīka darba jauda zudusi, apturiet darbarīku un uzlādējiet akumulatora kasetni.
2. Nekad neuzlādējiet pilnībā uzlādētu akumulatora kasetni. Pārmērīga uzlāde saīsina akumulatora kalpošanas laiku.
3. Uzlādējiet akumulatora kasetni istabas temperatūrā 10 °C - 40 °C. Karstai akumulatora kasetnei pirms uzlādes ļaujiet atdzist.
4. Kad akumulatora kasetne netiek izmantota, izņemiet to no darbarīka vai lādētāja.
5. Uzlādējiet litija jonu akumulatora kasetni, ja to ilgstoši nelietosit (vairāk nekā sešus mēnešus).

Svarīgi drošības norādījumi par bezvadu ierīci

1. Uzstādot bezvadu bloku, nekādā gadījumā neatveriet tam paredzētā padziļinājuma vāku.
2. Bezvadu ierīci nedrīkst ne pārveidot, ne izjaukt.
3. Bezvadu ierīci glabājiet maziem bērniem nepieejamā vietā. Ja kāds cilvēks nejauši norij kādu no detaļām, nekavējoties jādodas pie ārsta.
4. Bezvadu ierīci lietojiet tikai kopā ar Makita darbarīkiem.
5. Raugiet, lai bezvadu ierīce neatrastos lietū vai mitros apstākļos.
6. Bezvadu ierīci nelietojiet vietās, kur temperatūra pārsniedz 50 °C.
7. Bezvadu ierīci nelietojiet vietās, kur tuvumā atrodas medicīnas ierīces, piemēram, sirds darbības stimulatori.
8. Bezvadu ierīci nelietojiet vietās, kur tuvumā atrodas automātiskas ierīces. Ja lietojat, tad automātisko ierīču darbībā var rasties traucējumi vai kļūdas.
9. Neizmantojiet bezvadu ierīci vietā, kur ir augsta temperatūra vai var veidoties statiskā elektrība vai elektriskais troksnis.

10. Bezvadu ierīce var radīt elektromagnētiskos laukus (EML), bet tie nav lietotājam kaitīgi.
11. Bezvadu ierīce ir precīzs instruments. Uzmanieties, lai bezvadu ierīce nenokristu un nekur neietriektos.
12. Bezvadu ierīces izvadām nepieskarieties ar kailām rokām vai metāliskiem materiāliem.
13. Kad uzstādāt bezvadu ierīci, vienmēr izņemiet darbarīka akumulatoru.
14. Verot vaļā atveres pārsegu, izvairieties no vietas, kur atverē var iekļūt putekļi un ūdens. Atveres ieeju vienmēr turiet tīru.
15. Bezvadu ierīci vienmēr ievietojiet pareizajā virzienā.
16. Bezvadu ierīces bezvadu sistēmas aktivizēšanas pogu nespiediet pārāk stipri un/vai nespiediet pogu ar priekšmetu, kam ir asas malas.
17. Lietojot ierīci, vienmēr aizveriet atveres pārsegu.
18. Kamēr darbarīks ir pieslēgts pie strāvas, neatvienojiet bezvadu ierīci no atveres. Ja atvienojat, var rasties traucējumi bezvadu ierīces darbībā.
19. No bezvadu ierīces nenoplēšiet uzlīmi.
20. Uz bezvadu ierīces nelīmējiet nekādas uzlīmes.
21. Neatstājiet bezvadu ierīci vietā, kur var veidoties statiskā elektrība vai elektriskais troksnis.
22. Bezvadu ierīci neatstājiet vietās, kur varētu būt liels karstums, piemēram, automobilī, kas atstāts saulē.
23. Bezvadu ierīci neatstājiet putekļainā vai ar pulveri nokaisītā vietā vai vietā, kur var rasties kodīga gāze.
24. Pēkšņas temperatūras izmaiņas var radīt mitrumu uz ierīces. Bezvadu ierīci lietojiet tikai tad, kad mitrums pilnībā izžuvis.
25. Kad tīrāt bezvadu ierīci, uzmanīgi slaukiet to ar sausu, mīkstu drānu. Nelietojiet benzīnu, atšķaidītāju, vadītspējīgas smērvielas vai līdzīgas vielas.
26. Kad bezvadu ierīci noliekat glabāšanai, ielieciet to komplekta ietvarā vai nestatiskā konteinerā.
27. Darbarīka atverē ievietojiet tikai Makita bezvadu ierīci.
28. Neizmantojiet darbarīku, ja tā atveres pārsegs ir bojāts. Ūdens, putekļi un netīrumu iekļūšana atverē var radīt darbības traucējumus.
29. Bez nepieciešamības nevelciet un/vai negroziet atveres pārsegu. Ja pārsegs atdalās no darbarīka, piestipriniet to.
30. Ja atveres pārsegs ir pazaudēts vai bojāts, nomainiet to.

SAGLABĀJIET ŠOS NORĀDĪJUMUS.

FUNKCIJU APRAKSTS

⚠ UZMANĪBU: Pirms ierīces regulēšanas vai darbības pārbaudes vienmēr pārlicinieties, ka ierīce ir izslēgta un akumulatoru kasetnes ir izņemtas.

Akumulatora kasetnes uzstādīšana un izņemšana

⚠ UZMANĪBU: Vienmēr pirms akumulatora kasetnes uzstādīšanas vai atvienošanas izslēdziet darbarīku.

⚠ UZMANĪBU: Uzstādot vai izņemot akumulatora kasetni, ierīci un akumulatora kasetni turiet cieši. Ja ierīci un akumulatora kasetni netur cieši, tās var izkrist no rokām un radīt bojājumus ierīcei un akumulatora kasetnei, kā arī izraisīt ievainojumus.

⚠ UZMANĪBU: Atverot vai aizverot akumulatora pārsegu, uzmanieties, lai neiespiestu pirkstus. Neievērojot šo norādījumu, ir iespējami savainojumi.

Lai uzstādītu akumulatora kasetni, vispirms atbrīvojiet fiksatoru un tad atveriet akumulatora pārsegu. Pēc tam ievietojiet akumulatora kasetni.

► **Att.1:** 1. Fiksators 2. Akumulatora pārsegs

Savietojiet akumulatora kasetnes mēlīti ar ievu korpusā un iebīdīet to vietā. Ievietojiet to līdz galam, līdz tā ar klikšķi nofiksējas. Nofiksējiet akumulatora pārsegu.

► **Att.2:** 1. Akumulatora kasetne 2. Poga

Lai izņemtu akumulatora kasetni, izvelciet to no darbarīka, pārbrīdot kasetnes priekšpusē esošo pogu.

⚠ UZMANĪBU: Vienmēr ievietojiet akumulatora kasetni līdz galam. Ja tā nav ievietota līdz galam, tā var nejauši izkrist no putekļsūcēja, savainojot jūs vai kādu citu.

⚠ UZMANĪBU: Neievietojiet akumulatora kasetni ar spēku. Ja kasetne neslīd ietvarā viegli, tā nav pareizi ielikta.

PIEZĪME: Putekļsūcējs nedarbojas ar vienu akumulatora kasetni.

Atlikušās akumulatora jaudas indikators

Nospiediet akumulatora kasetnes pārbaudes pogu, lai pārbaudītu akumulatora atlikušo uzlādes līmeni. Indikatori iedegsies uz dažām sekundēm.

► **Att.3:** 1. Indikatora lampas 2. Pārbaudes poga

Indikatora lampas			Atlikusī jauda
Iededzies	Izslēgts	Mirgo	
			No 75% līdz 100%
			No 50% līdz 75%
			No 25% līdz 50%
			No 0% līdz 25%
			Uzlādējiet akumulatoru.
			Iespējama akumulatora kļūme.

PIEZĪME: Reālā jauda var nedaudz atšķirties no norādītās atkarībā no lietošanas apstākļiem un apkārtējās temperatūras.

PIEZĪME: Akumulatora aizsardzības sistēmas darbības laikā mirgo pirmais (kreisais malējais) indikators.

Akumulatoru indikatori vadības blokā

Atlikušo akumulatora jaudu jebkurā brīdī var redzēt vadības blokā. Nospiediet pārbaudes pogu, un kreisais un labais indikators attiecīgi rādīs akumulatoru uzlādes līmeņus.

► **Att.4:** 1. Kreisais akumulatora indikators 2. Labais akumulatora indikators 3. Pārbaudes poga

► **Att.5**

Akumulatora indikatora stāvoklis			Atlikusī akumulatora jauda
Ieslēgts	Izslēgts	Mirgo	
			No 50% līdz 100%
			No 20% līdz 50%
			No 0% līdz 20%
			Akumulatora uzlāde
			Akumulators nav ievietots

PIEZĪME: Akumulatora indikators darbojas, kad ievieto divus akumulatorus.

PIEZĪME: Akumulatora indikatori tiek aktivizēti arī tad, kad putekļsūcējs sāk darboties.

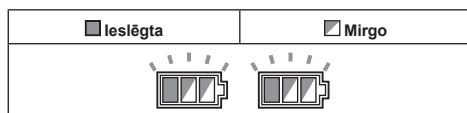
Ierīces/akumulatora aizsardzības sistēma

Ierīce ir aprīkota ar ierīces/akumulatora aizsardzības sistēmu. Šī sistēma automātiski izslēdz motora barošanu, tādējādi pagarinot ierīces un akumulatora darbību. Ierīce automātiski pārstās darboties, ja ierīci vai akumulatoru pakļaus kādam no tālāk norādītajiem apstākļiem:

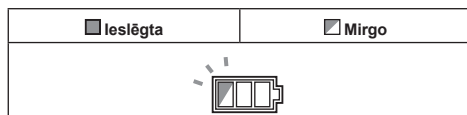
Aizsardzība pret pārslodzi

Ja ierīci/akumulatoru lieto tā, ka tas patērē pārmērīgi lielu strāvas daudzumu, ierīce automātiski pārstāj darboties. Šādā gadījumā izslēdziet ierīci un pārtrauciet darbību, kas izraisīja ierīces pārslodzi. Pēc tam ieslēdziet ierīci, lai atsāktu darbu.

Aizsardzība pret pārkaršanu



Kad ierīce ir pārkarusi, tā automātiski pārtrauc darboties, un gan labais, gan kreisais akumulatora indikatora mirgo. Šādā gadījumā pirms ierīces atkārtotas ieslēgšanas ļaujiet tai atdzist un iztīriet filtrus.



Kad akumulators ir pārkaris, ierīce automātiski pārstāj darboties, un mirgo pārkarušā akumulatora indikators. Šādā gadījumā pirms ierīces atkārtotas ieslēgšanas ļaujiet akumulatoram atdzist.

Aizsardzība pret akumulatora pārmērīgu izlādi

Ja ir zema atlikušā akumulatora jauda, ierīce automātiski pārstāj darboties. Ja ierīce nedarbojas atbilstoši slēdžu darbībai, izņemiet akumulatorus no ierīces un uzlādējiet tos.

Aizsardzība pret citiem cēloņiem

Aizsardzības sistēma ir paredzēta arī pret citiem cēloņiem, kas varētu radīt ierīces bojājumus, un nodrošina automātisku ierīces apturēšanu. Ja ierīces darbība ir īslaicīgi apstājusies vai pārstājusi darboties, veiciet visas tālāk norādītās darbības, lai novērstu cēloņus.

1. Izslēdziet un ieslēdziet ierīci, lai to no jauna iedarbinātu.
2. Uzlādējiet akumulatoru(-s) vai nomainiet to(-s) ar uzlādētu(-iem) akumulatoru(-iem).
3. Ļaujiet ierīcei un akumulatoram(-iem) atdzist.

Ja pēc aizsardzības sistēmas atjaunošanas nav uzlabojumu, sazinieties ar vietējo Makita tehniskās apkopes centru.

Slēdža darbība

Putekļsūcēja ieslēgšana

1. Pagrieziet gaidstāves slēdzi pozīcijā „I” (IESLĒGTS) vai „AUTO” (IESLĒGTS), lai putekļsūcēju sagatavotu gaidstāves režīmā.
2. Nospiediet ieslēgšanas/izslēgšanas pogu. Lai pārslēgtu putekļsūcēju atpakaļ gaidstāves režīmā, vēlreiz nospiediet ieslēgšanas/izslēgšanas pogu.

Putekļsūcēja izslēgšana

Veiciet kādu no tālāk norādītajām darbībām.

- Nospiediet barošanas pogu, lai atkal iestatītu putekļsūcēju gaidstāves režīmā.
- Pagrieziet gaidstāves slēdzi pozīcijā „O” (IZSLĒGTS).

Sūkšanas jaudas regulēšana

Sūkšanas jaudu var noregulēt atbilstoši jūsu darba vajadzībām.

- Lai mazinātu sūkšanas jaudu, pagrieziet sūkšanas jaudas regulēšanas pogu pa kreisi.
- Lai palielinātu sūkšanas jaudu, pagrieziet sūkšanas jaudas regulēšanas pogu pa labi.

Šļūtenes diametra atlase

Pagrieziet šļūtenes diametra atlases ciparripu uz tā šļūtenes diametra atzīmi, kādu gatavojaties izmantot.

PIEZĪME: Nepagrieziet ciparripu pret atstarpi starp skaitļiem. Vienmēr pagrieziet ciparripu atbilstoši šļūtenes diametram.

- **Att.6:** 1. Gaidstāves slēdzis 2. Sūkšanas jaudas regulēšanas poga 3. Šļūtenes diametra atlases ciparripa 4. Barošanas poga

IEVĒRĪBAI: Vienmēr, kad nelietojat putekļsūcēju ilgu laiku, pagrieziet gaidstāves slēdzi pozīcijā "O". Putekļsūcējs patērē strāvu, esot gaidstāves režīmā.

Brīdinājuma signāls

Ir divi brīdinājuma signāla veidi. Viens ir īsi pīkstieni, un otrs ir nepārtraukts pīkstiens.

- Ja gaisa plūsmas ātrums nokrītas zem 20 m/s, putekļsūcējs drošības dēļ izdod īsus brīdinājuma signālus. Ja tādi atskan, pārbaudiet šļūtenes diametra atlases ciparripu vai to, vai sūkšanas spēks nav pārāk mazs. Ja signāls nebeidz skanēt, veiciet apkopi vai vērsieties vietējā servisa centrā.
- Kad tvertne piepildās ar ūdeni, putekļsūcējs izdod nepārtrauktu brīdinājuma signālu un automātiski pārstāj darboties. Kad putekļsūcējs ir pārtraucis darboties, izslēdziet to un iztukšojiet tvertni.

Automātiskā sūkšanas apturēšana mitrās sūkšanas laikā

BRĪDINĀJUMS: Nesavāciet putas vai ziepains šķidrums. Tas var izraisīt putu izplūšanu no gaisa izplūdes atveres. Ilgstoša izmantošana šādos apstākļos var izraisīt elektriskās strāvas triecienu un putekļsūcēja sabojāšanos.

Putekļsūcējam ir mehānisms, kas novērs ūdens iekļūšanu motorā, ja savākts vairāk par noteiktu daudzumu. Kad tvertne ir pilna ar ūdeni, putekļsūcējs izdod nepārtrauktu brīdinājuma signālu un automātiski pārstāj darboties. Kad putekļsūcējs ir pārtraucis darboties, izslēdziet to un iztukšojiet tvertni.

Filtra tīrīšanas sistēma

Šajā ierīcē ir filtra tīrīšanas sistēma. Ierīces lietošanas laikā filtra tīrīšanas sistēma automātiski atbrīvo filtrus no putekļiem, lai novērstu sūkšanas jaudas samazināšanos.

Ja ierīce vienā reizē iesūc lielu daudzumu putekļu, sūkšanas jauda var samazināties. Šādā gadījumā ieteicams manuāli iztīrīt filtru.

1. Izslēdziet ierīci.
2. Iestatiet maksimālo sūkšanas jaudu un pēc tam nosedziet sūkšanas šļūtenes atveri ar plaukstu.
3. Izslēdziet ierīci un darbiniet to aptuveni 15 sekundes ar pilnīgi noslēgtu sūkšanas šļūtenes atveri.

► **Att.7:** 1. Sūkšanas šļūtenes atvere

PIEZĪME: Gaisa tīrums var mainīties, kamēr darbojas filtra tīrīšanas sistēma, bet nav notikusi tās kļūme.

Ūdens notece

Kad tvertne ir pilna ar ūdeni, izslēdziet putekļsūcēju un atveriet ūdens noteces vāciņu, lai iztukšotu tvertni.

► **Att.8:** 1. Ūdens noteces vāciņš

Vāciņš

Vāciņu piegādā kopā ar ierīci. Ja uzstāda šo vāciņu uz šļūtenes pieslēgvietas, iesūktie putekļi nevar izkļūt no putekļsūcēja.

► **Att.9:** 1. Vāciņš

Riteņu nobloķēšana un atbloķēšana

Priekšējos riteņus var nobloķēt ar sprūdiem, lai putekļsūcēju noturētu uz vietas.

Ar roku nolaidiet aiztūra sviru, lai nobloķētu riteņi, un paceliet sviru, lai riteņi atbrīvotu.

► **Att.10:** 1. Riteņis 2. Aiztūra svira 3. BRĪVA pozīcija 4. BLOĶĒTA pozīcija

PIEZĪME: Pirms putekļsūcēja pārvietošanas pārbaidiet, vai riteņis ir atbloķēts. Ja putekļsūcēju pārvieto ar nobloķētu riteņi, var sabojāt riteņi.

Rokturis pārnēsāšanai

UZMANĪBU: Ierīces celšanu un nešanu veiciet rūpīgi. Citādi iespējams gūt savainojumus vai sabojāt ierīci.

Pārvietojot putekļsūcēju, nesiet to, satverot rokturi ierīces augšdaļā. Kad rokturi neizmanto, to var ievietot ierīces augšdaļā.

► **Att.11**

Šo ierīci ir grūti pārnēsāt paša spēkiem, nesiet to divatā, kā parādīts attēlā.

► **Att.12**

► **Att.13**

MONTĀŽA

BRĪDINĀJUMS: Šajā ierīcē var būt bīstami putekļi. Mainot filtra elementus un putekļu maisu, kā arī veicot apkopi, vienmēr valkājiet P2 respiratoru.

UZMANĪBU: Pirms jebkādu ierīces apkopes vai līdzīgu darbu veikšanas vienmēr pārlicinieties, ka tā ir izslēgta un akumulatoru kasetnes ir izņēmtas.

Filtra maisa uzstādīšana un utilizācija

BRĪDINĀJUMS: Vienmēr valkājiet P2 respiratoru.

BRĪDINĀJUMS: Pirms filtra maisa lietošanas pārlicinieties, vai filtra bloks tiek lietots kopā. Ja filtra bloku nelieto kopā, tas var radīt neparastu troksni un karstumu, kas var izraisīt aizdegšanos.

BRĪDINĀJUMS: Izmantojot šo ierīci kā putekļu klasi M, obligāti lietojiet filtra maisu.

IEVĒRĪBAI: Lietojot filtra maisu, nekādā gadījumā neiesūciet ūdeni vai citus šķidrumus, vai slapjus netīrumus. Šādu vielu iesūkšana var izraisīt filtra maisa saplīšanu.

1. Atbrīvojiet fiksācijas āķus un noceliet augšējo bloku no tvertnes.
► **Att.14:** 1. Fiksācijas āķis
2. Atlokiet filtra maisu.
3. Savietojiet filtra maisa atveri ar tvertnes putekļu ieejas atveri.
4. Uzlieciet filtra maisa kartonu uz rīka tā, lai tas būtu novietots galā aiz fiksācijas izvirdzuma.
► **Att.15:** 1. Filtra maiss 2. Kartona izgriezums 3. Filtra maisa turētājs 4. Putekļu iepļūdes atvere 5. Mala

Izmetot filtra maisu, pavelciet malu aiz filtra maisa atveres tā, lai atvere būtu nosepta ar papīru.

Polietilēna maisa ievietošana

Papildu piederumi

Izkļājiet polietilēna maisu uz tvertnes un iebīdiet maisa atvērta gala augšmalas vienu pusi starp turētāja plāksni un tvertnes priekšējo malu.

Pēc tam izklājiet pārējās maisa augšējās malas uz āru pāri tvertnes augšmalai.

Kopā ar filtra maisu var izmantot polietilēna maisu.

► **Att.16:** 1. Turētāja plāksne 2. Tvertnes priekšējā mala 3. Polietilēna maiss

PIEZĪME: Var izmantot veikalos nopērkamus polietilēna maisus. Ieteicams, lai tā biezums būtu lielāks par 0,04 mm un perimetrs – lielāks par 2 000 mm.

PIEZĪME: Pārāk daudz netīrumu var pārplēst polietilēna maisu, tāpēc nepiepildiet putekļu maisu pārāk pilnu. Smaga putekļu maisa izmešana var radīt lielu slodzi cilvēka ķermenim.

Polietilēna maisa izņemšana no tvertnes

⚠ BRĪDINĀJUMS: Pirms iztukšojat tvertni, obligāti pārliecinieties, ka putekļsūcējs ir izslēgts un akumulatoru kasetnes ir izņemtas. Neievērojot šo norādījumu, var rasties elektriskās strāvas trieciens un nopietnas traumas.

IEVĒRĪBAI: Iztukšojiet tvertni vismaz vienreiz dienā, lai gan tas ir atkarīgs no tvertnē iesūkto putekļu daudzuma. Pretējā gadījumā sūkšanas jauda samazināsies un var saplīst motors.

IEVĒRĪBAI: Iztukšojot tvertni, neaizķeriet fiksācijas āķus. Fiksācijas āķu aizķeršana var izraisīt to salūšanu.

1. Atbrīvojiet fiksācijas āķus un nolietiet augšējo bloku no tvertnes.

2. Izceliet polietilēna maisu no tvertnes, aizverot maisa atvērumu ar roku.

► **Att.17:** 1. Polietilēna maiss 2. Tvertne

PIEZĪME: Uzmanīgi izņemiet polietilēna maisu no tvertnes, lai nesaskrābātu to un nesaplēstu pret tvertnes iekšmalām.

PIEZĪME: Polietilēna maisu iztukšojiet, pirms tas ir pilns. Pārāk liels putekļu daudzums var saplēt putekļu maisu.

Šļūtenes uzstādīšana

IEVĒRĪBAI: Nekad ar spēku nelokiet un nespiediet šļūteni. Nekad nepārvietojiet putekļsūcēju, velkot aiz šļūtenes. Ja šļūteni loka, spiež vai rauj, to var saplēt vai deformēt.

IEVĒRĪBAI: Savācot lielus atkritumus, piemēram, ēvelēšanas atgriezumus, betona putekļus vai līdzīgus materiālus, izņemot mazos atkritumus, izmantojiet šļūteni ar 38 mm iekšējo diametru (papildpiederums). Ja izmantojat šļūteni ar 28 mm iekšējo diametru (papildpiederums), tā var nosprostoties un tikt bojāta.

IEVĒRĪBAI: Noņemot šļūteni no putekļsūcēja, vienmēr uzlieciet vāciņu piestiprināšanas atverei.

Pievienošana putekļsūcējam

Noņemiet vāciņu no piestiprināšanas atveres. Kamēr šļūtene ir pievienota putekļsūcējam, vāciņu var glabāt putekļsūcēja aizmugurē.

► **Att.18:** 1. Vāciņš

Ievietojiet šļūtenes galu putekļsūcēja putekļu iepļūdes atverē (šļūtenes ievades vietā), pēc tam pagrieziet pulksteņrādītāja kustības virzienā, līdz tas nofiksējas vietā.

► **Att.19:** 1. Šļūtene 2. Putekļu iepļūdes atvere (šļūtenes ievades vieta)

Savienojumi ar darbarīkiem (Atkarībā no valsts)

Savienojot putekļsūcēju ar jebkuru pieejamu darbarīku, kas sader ar putekļsūcēju, mehanizētajiem darbarīkiem tas darbojas kā putekļu savācējs.

Izvēlieties vienu no priekšējām uzmvām vai savienotājiem (papildu piederumi), kas ir vispiemērotākais darbarīka modelim. Novietojiet attiecīgi uzmvas vai savienotāju starp putekļsūcēja šļūtenes priekšgalu un darbarīka putekļu savākšanas atveri.

► **Att.20:** 1. Priekšējās uzmvas vai savienotājs 2. Putekļsūcēja šļūtene 3. Mehanizētais darbarīks 4. Putekļsūcējs

Putekļsūcēja piederumu uzstādīšana vai noņemšana

⚠ UZMANĪBU: Kad piederums uzstādīts, pārbaudiet, vai tas ir cieši piestiprināts. Ja piederums ir nepareizi uzstādīts, tas var atvienoties un radīt traumas.

Piederums bez bloķēšanas funkcijas – izmantošana

Papildu piederumi

Ievietojiet piederumu putekļsūcēja iesūkšanas atverē, iestumjot un ar roku ieskrūvējot to vietā.

Pēc lietošanas atskrūvējiet piederumu ar roku un izvelciet to no iesūkšanas atveres.

► **Att.21**

MAKPAC uzstādīšana

Papildu piederumi

⚠ UZMANĪBU: Nestāviet un nesēdīet uz ierīces. Nestabilitātes dēļ tā var apgāzties.

⚠ UZMANĪBU: Uzstādot MAKPAC, rīkojieties uzmanīgi. Neuzmanīga rīcība var izraisīt traumas vai sabojāt ierīci.

⚠ UZMANĪBU: Kad MAKPAC ir uzstādīts uz ierīces, neceliet ierīci aiz MAKPAC roktura.

⚠ UZMANĪBU: Pārvietojot ierīci, uz kuras uzstādīts MAKPAC, nebīdīet MAKPAC, bet gan ierīces korpusu. Stumjot MAKPAC, var pārraut fiksatorus un nomest MAKPAC, kas var izraisīt traumas.

Uz putekļsūcēja var uzstādīt savienojamas un vairākās kārtās liekamas MAKPAC glabāšanas kastes. Šīs kastes ir pieejamas dažādos izmēros un stilos, lai varētu izvēlēties piemērotāko.

1. Atlokiet putekļsūcēja augšējās virsmas fiksatorus.

► **Att.22:** 1. Fiksators

2. Uzstādiet MAKPAC kastes uz putekļsūcēja augšējās virsmas un nostipriniet ar fiksatoriem.

► **Att.23:** 1. Fiksators 2. MAKPAC

Maksimālais uzstādāmais MAKPAC augstums un svars ir attiecīgi 315 mm un 20 kg.

► **Att.24**

EKSPLUATĀCIJA

▲BRĪDINĀJUMS: Vienmēr izmantojiet respiratoru P2.

▲UZMANĪBU: Ja no darbarīka izklūst putas vai šķidrums, nekavējoties izslēdziet to. Turpinot izmantot šādos apstākļos, var izraisīt elektriskās strāvas triecienu un sabojāt putekļsūcēju.

BEZVADU SISTĒMAS AKTIVIZĒŠANAS FUNKCIJA

Papildu piederumi

Iespējas, ko sniedz bezvadu sistēmas aktivizēšanas funkcija

Bezvadu sistēmas aktivizēšanas funkcija nodrošina tūru un ērtu darbību. Pieslēdzot putekļu sūcējam atbilstošu darbarīku, putekļu sūcēju iespējams darbināt automātiski, pārslēdzot darbarīku.

► Att.25

IEVĒRĪBAI: Lietojot putekļu sūcēju ar bezvadu sistēmas aktivizēšanas funkciju, noteikti skatiet darbarīka lietošanas rokasgrāmatu.

IEVĒRĪBAI: Bezvadu ierīci nedrīkst ne pārveidot, ne izjaukt.

IEVĒRĪBAI: Lai putekļi neiekļūtu bezvadu iekārtas atverē, darba laikā un glabāšanas laikā vienmēr cieši aizveriet pārsegu.

IEVĒRĪBAI: Bezvadu sistēmas aktivizēšanas pogu nospiežot pārāk stipri un/vai nospiežot pogu ar priekšmetu, kam ir asas malas.

PIEZĪME: Lai aktivizētu bezvadu sistēmu, „Makita” darbarīkos ir jābūt uzstādītai bezvadu ierīcei.

PIEZĪME: Pirms bezvadu sistēmas pirmās aktivizēšanas katram darbarīkam ir jāveic darbarīka reģistrācija. Ja reģistrācija ir pabeigta, atkārtota reģistrācija nav jāveic, izņemot gadījumus, kad tā ir atcelta.

PIEZĪME: Pirms reģistrācijas pārliecinieties, ka bezvadu ierīce ir pilnībā ievietota.

PIEZĪME: Vienā bezvadu ierīcē var reģistrēt līdz 10 savienojumiem ar citām bezvadu ierīcēm. Ja bezvadu ierīcei ir reģistrētas vairāk nekā 10 citas bezvadu ierīces, automātiski tiks atcelta vissienāk reģistrētā ierīce.

PIEZĪME: Bezvadu sistēmas aktivizēšanas pogas novietojums katram darbarīkam var būt atšķirīgs.

PIEZĪME: Ja gaidstāves slēdzis ir iestatīts uz „AUTO”, putekļu sūcējs sāk darboties, arī nospiežot pogu.

Tomēr ieslēgšanas/izslēgšanas poga nedarbosies, ja tiek izmantota bezvadu sistēmas aktivizēšanas funkcija.

Bezvadu ierīces uzstādīšana

▲BRĪDINĀJUMS: Atveriet vāku tikai pirmajā reizē, kad uzstādāt bezvadu bloku. Pēc tā uzstādīšanas nekad vairs neveriet vājā vāku.

▲UZMANĪBU: Kad uzstādāt bezvadu ierīci, nolieciet putekļu sūcēju uz līdzenas un stabilas virsmas.

IEVĒRĪBAI: Pirms bezvadu ierīces uzstādīšanas no putekļu sūcēja noīriet putekļus un neīrumus. Ja bezvadu ierīces atverē iekļūst putekļi vai neīrumi, tie var izraisīt darbības traucējumus.

IEVĒRĪBAI: Lai novērstu statiskās enerģijas radītos darbības traucējumus, pirms bezvadu ierīces pacelšanas pieskarieties statisko enerģiju izlādējošam materiālam, piemēram, kādai metālistiskai detaļai.

IEVĒRĪBAI: Uzstādot bezvadu ierīci, vienmēr pārliecinieties, ka bezvadu ierīce ievietota pareizajā virzienā, un pārsegs ir pilnībā aizvērts.

1. Atskrūvējiet skrūvi, lai atvērtu putekļsūcēja vāku, kā parādīts attēlā.

► Att.26: 1. Pārsegs 2. Skrūve

2. Ievietojiet bezvadu bloku spraugā.

Pievienojot bezvadu ierīci, izvirkējiet savietojiet ar padziļinājuma vietām uz atveres.

► Att.27: 1. Bezvadu ierīce 2. Izvirkējums 3. Vāks 4. Padziļinājuma daļa

3. Lai aizvērtu vāku, pievelciet skrūvi līdz galam.

Darbarīka reģistrācija putekļu sūcējam

PIEZĪME: Lai reģistrētu darbarīku, nepieciešams „Makita” darbarīks, kas atbalsta bezvadu sistēmas aktivizēšanas funkciju.

PIEZĪME: Vispirms darbarīkam uzstādiet bezvadu ierīci, pēc tam sāciet darbarīka reģistrāciju.

PIEZĪME: Veicot darbarīka reģistrāciju, nospiežot darbarīka slēdža mēlīti un nospiežot ieslēgšanas/izslēgšanas slēdzi uz putekļu sūcēja.

PIEZĪME: Skatiet arī darbarīka lietošanas rokasgrāmatu.

Ja putekļu sūcēju vēlaties aktivizēt reizē ar darbarīka pārslēgšanu, vispirms pabeidziet darbarīka reģistrāciju.

1. Uzstādiet bezvadu ierīces putekļu sūcējā un darbarīkai.

2. Putekļu sūcējā un darbarīkā ielieciet akumulatorus.

3. Gaidstāves slēdzi uz putekļu sūcēja pārslēdziet pozīcijā „AUTO”.

► Att.28: 1. Gaidstāves slēdzis

4. Nospiediet bezvadu sistēmas aktivizēšanas pogu uz putekļu sūcēja un turiet 3 sekundes, līdz bezvadu sistēmas aktivizēšanas lampiņa mirgo zaļā krāsā. Pēc tam tādā pašā veidā nospiediet bezvadu sistēmas aktivizēšanas pogu uz darbarīka.

- **Att.29:** 1. Bezvadu sistēmas aktivizēšanas poga
2. Bezvadu sistēmas aktivizēšanas lampiņa

Ja putekļu sūcējs un darbarīks savienoti veiksmīgi, bezvadu sistēmas aktivizēšanas lampiņas 2 sekundes degs zaļā krāsā un tad sāks mirgot zilā krāsā.

PIEZĪME: Bezvadu sistēmas aktivizēšanas lampiņas zaļā krāsā beidz mirgot pēc 20 sekundēm. Kamēr uz putekļu sūcēja mirgo bezvadu sistēmas aktivizēšanas lampiņa, nospiediet bezvadu sistēmas aktivizēšanas pogu uz darbarīka. Ja bezvadu sistēmas aktivizēšanas lampiņa nemirgo zaļā krāsā, uz mirkli piespiediet un atkal paturiet nospiestu bezvadu sistēmas aktivizēšanas pogu.

PIEZĪME: Ja vienam putekļu sūcējam reģistrējat divus vai vairākus darbarīkus, tad darbarīku reģistrāciju pabeidziet secīgi.

Bezvadu sistēmas aktivizēšanas funkcijas startēšana

PIEZĪME: Pabeidziet darbarīka reģistrāciju putekļu sūcējam, lai aktivizētu bezvadu sistēmu.

PIEZĪME: Vienmēr novietojiet putekļu sūcēju tā, lai varētu redzēt bezvadu sistēmas aktivizēšanas lampiņas statusus.

PIEZĪME: Skatiet arī darbarīka lietošanas rokasgrāmatu.

Pēc darbarīka reģistrācijas putekļu sūcējam putekļu sūcējs automātiski darbosies kopā ar darbarīka pārslēgšanu.

1. Uzstādiet bezvadu ierīces putekļu sūcējā un darbarīkā.
2. Putekļu sūcējā un darbarīkā ielieciet akumulatorus.
3. Darbarīkam pievienojiet putekļu sūcēja šļūteni.
► **Att.30**
4. Gaidstāves slēdzi uz putekļu sūcēja pārslēdziet pozīcijā „AUTO”.
► **Att.31:** 1. Gaidstāves slēdzis
5. Uz mirkli piespiediet bezvadu sistēmas aktivizēšanas pogu uz darbarīka. Bezvadu sistēmas aktivizēšanas lampiņa iemirgosies zilā krāsā.
► **Att.32:** 1. Bezvadu sistēmas aktivizēšanas poga
2. Bezvadu sistēmas aktivizēšanas lampiņa
6. Ieslēdziet darbarīku. Pārlicinieties, ka laikā, kad izmantojat darbarīku, putekļu sūcējs darbojas.

⚠UZMANĪBU: Pirms sākat izmantot darbarīku, vienmēr pārbaudiet, vai bezvadu sistēmas aktivizēšanas funkcija darbojas.

Lai apturētu bezvadu sistēmas aktivizāciju, nospiediet bezvadu sistēmas aktivizācijas pogu uz darbarīka vai iestatiet putekļu sūcēja gaidstāves slēdzi pozīcijā „I” vai „O”.

PIEZĪME: Bezvadu sistēmas aktivizēšanas lampiņa uz darbarīka beigs mirgot zilā krāsā, kad darbarīks netiek darbināts 2 stundas. Šajā gadījumā gaidstāves slēdzi uz putekļu sūcēja pārslēdziet pozīcijā „AUTO” un atkal nospiediet bezvadu sistēmas aktivizēšanas pogu uz darbarīka.

PIEZĪME: Putekļu sūcējs ieslēdzas/izslēdzas ar aizkavi. Kad putekļu sūcējs konstatē darbarīka pārslēgšanu, rodas laika nobīde.

PIEZĪME: Atrašanās vietas un apkārtnējo apstākļu dēļ var atšķirties bezvadu ierīces signāla uztveršanas attālums.

PIEZĪME: Kad vienam putekļu sūcējam pieslēgti divi vai vairāki darbarīki, putekļu sūcējs var sākt darboties pat tad, ja jūs neieslēdzat darbarīku, jo bezvadu sistēmas aktivizēšanas funkciju izmanto cits lietotājs.

Darbarīka reģistrācijas atcelšana putekļu sūcējam

Atceļot darbarīka reģistrāciju putekļu sūcējam, jārikojas tālāk norādītajā veidā.

1. Uzstādiet bezvadu ierīces putekļu sūcējā un darbarīkā.
2. Putekļu sūcējā un darbarīkā ielieciet akumulatorus.
3. Gaidstāves slēdzi uz putekļu sūcēja pārslēdziet pozīcijā „AUTO”.
► **Att.33:** 1. Gaidstāves slēdzis
4. Nospiediet un 6 sekundes turiet bezvadu sistēmas aktivizēšanas pogu uz putekļu sūcēja. Bezvadu sistēmas aktivizēšanas lampiņa nomirgo zaļā krāsā un tad kļūst sarkana. Pēc tam tādā pašā veidā nospiediet bezvadu sistēmas aktivizēšanas pogu uz darbarīka.
► **Att.34:** 1. Bezvadu sistēmas aktivizēšanas poga
2. Bezvadu sistēmas aktivizēšanas lampiņa

Ja atcelšana notikusi veiksmīgi, bezvadu sistēmas aktivizēšanas lampiņas 2 sekundes degs sarkanā krāsā un sāks mirgot zilā krāsā.

PIEZĪME: Bezvadu sistēmas aktivizēšanas lampiņas sarkanā krāsā beidz mirgot pēc 20 sekundēm. Kamēr uz putekļu sūcēja mirgo bezvadu sistēmas aktivizēšanas lampiņa, nospiediet bezvadu sistēmas aktivizēšanas pogu uz darbarīka. Ja bezvadu sistēmas aktivizēšanas lampiņa nemirgo sarkanā krāsā, uz mirkli piespiediet un atkal paturiet nospiestu bezvadu sistēmas aktivizēšanas pogu.

Visu reģistrēto darbarīku dzēšana

Visus putekļu sūcējam reģistrētos darbarīkus varat dzēst, izpildot norādītās darbības.

- **Att.35:** 1. Gaidstāves slēdzis 2. Bezvadu sistēmas aktivizēšanas poga 3. Bezvadu sistēmas aktivizēšanas lampiņa

1. Uzstādiet bezvadu ierīci putekļu sūcējam.
2. Ielieciet akumulatorus putekļu sūcējā.
3. Gaidstāves slēdzi pārslēdziet pozīcijā „AUTO”.
4. Apmēram 6 sekundes turiet nospiestu bezvadu sistēmas aktivizēšanas pogu, līdz bezvadu sistēmas aktivizēšanas lampiņa mirgo sarkanā krāsā (apmēram divas reizes sekundē).

5. Kad bezvadu sistēmas aktivizēšanas lampiņa sāk mirgot sarkanā krāsā, noņemiet pirkstu no bezvadu sistēmas aktivizēšanas pogas. Pēc tam vēlreiz apmēram 6 sekundes turiet nospiestu bezvadu sistēmas aktivizēšanas pogu.












6. Kad bezvadu sistēmas aktivizēšanas lampiņa sāk ātri mirgot sarkanā krāsā (apmēram piecas reizes sekundē), noņemiet pirkstu no bezvadu sistēmas aktivizēšanas pogas. Kad bezvadu sistēmas aktivizēšanas lampiņa iedegas sarkanā krāsā un pēc tam nodziest, visi reģistrētie darbarīki ir dzēsti.

PIEZĪME: Ja bezvadu sistēmas aktivizēšanas lampiņa nemirgo sarkanā krāsā, uz mirkli piespiediet bezvadu sistēmas aktivizēšanas pogu un mēģiniet vēlreiz.

Bezvadu sistēmas aktivizēšanas lampiņas statusa apraksts

- **Att.36:** 1. Bezvadu sistēmas aktivizēšanas pogas
2. Bezvadu sistēmas aktivizēšanas lampiņa

Bezvadu sistēmas aktivizēšanas lampiņa rāda bezvadu sistēmas aktivizēšanas funkcijas statusu. Lampiņas statusa nozīme norādīta tabulā.

Statuss	Bezvadu sistēmas aktivizēšanas lampiņa				Apraksts
	Krāsa	 Deg	 Mirgo	Ilgums (aptuveni)	
Gaidstāve	Zila			Putekļu sūcējs: turpina Darbarīks: 2 stundas	Gaida, līdz būs reģistrēts darbarīks vai būs pieejama bezvadu sistēmas aktivizēšanas funkcija. Putekļu sūcēja lampiņa mirgo, ja gaidstāves slēdzis ir iestatīts pozīcijā „AUTO”. Lampiņa uz darbarīka mirgo, ja ir nospiesta bezvadu sistēmas aktivizēšanas pogas. Kad darbarīks nav darbināts 2 stundas, lampiņa uz darbarīka izslēgsies automātiski.
				Kad darbarīks darbojas.	
Darbarīka reģistrācija	Zaļa			20 sekundes	Sistēma ir gatava darbarīka reģistrācijai. Meklē reģistrējamo darbarīku.
				2 sekundes	Darbarīka reģistrācija ir pabeigta. Bezvadu sistēmas aktivizēšanas lampiņa sāk mirgot zilā krāsā.
Darbarīka reģistrācijas atcelšana/dzēšana	Sarkana			20 sekundes (lēni: 2 reizes/sek.)	Sistēma ir gatava darbarīka reģistrācijas atcelšanai. Meklē atceļamo darbarīku.
				Ja ir nospiesta bezvadu sistēmas aktivizēšanas pogas.	Sistēma ir gatava visu reģistrēto darbarīku dzēšanai.
				2 sekundes	Reģistrētais darbarīks ir atcelts/dzēsts. Bezvadu sistēmas aktivizēšanas lampiņa sāk mirgot zilā krāsā.
Cits	Sarkana			3 sekundes	Bezvadu ierīce saņem strāvu, sāk darboties bezvadu sistēmas aktivizēšanas funkcija.
	Nedeg	-		-	Gaidstāves slēdzis nav ieslēgts pozīcijā „AUTO”.

Bezvadu sistēmas aktivizēšanas funkcijas traucējummeklēšana

Pirms nodošanas remontā vispirms veiciet pārbaudi pats. Ja konstatējat kļūmi, kas nav aprakstīta rokasgrāmatā, nemēģiniet darbarīku izjaukt. Dodieties uz Makita pilnvarotu apkopes centru un remontam vienmēr izmantojiet tikai Makita rezerves daļas.

Neatbilstošas darbības stāvoklis	Iespējamais iemesls (kļūme)	Risinājums
Bezvadu sistēmas aktivizēšanas lampiņa neiedegas/nemirgo.	Putekļu sūcējam un/vai darbarīkam nav uzstādīta bezvadu ierīce. Bezvadu ierīce darbarīkam un/vai putekļu sūcējam ir uzstādīta nepareizi.	Uzstādiet bezvadu ierīci pareizi.
	Bezvadu sistēmas aktivizēšanas poga uz darbarīka nav nospiesta.	Uz mirkli piespiediet bezvadu sistēmas aktivizēšanas pogu uz darbarīka.
	Gaidstāves slēdzis uz putekļu sūcēja nav ieslēgts pozīcijā „AUTO”.	Gaidstāves slēdzi uz putekļu sūcēja pārslēdziet pozīcijā „AUTO”.
	Nav strāvas padeves	Pieslēdziet strāvas padevi darbarīkam un putekļu sūcējam.
Neizdodas veiksmīgi pabeigt darbarīka reģistrāciju / darbarīka reģistrācijas atcelšanu.	Putekļu sūcējam un/vai darbarīkam nav uzstādīta bezvadu ierīce. Bezvadu ierīce putekļu sūcējam un/vai darbarīkam nav uzstādīta pareizi.	Uzstādiet bezvadu ierīci pareizi.
	Gaidstāves slēdzis uz putekļu sūcēja nav ieslēgts pozīcijā „AUTO”.	Gaidstāves slēdzi uz putekļu sūcēja pārslēdziet pozīcijā „AUTO”.
	Nav strāvas padeves	Pieslēdziet strāvas padevi darbarīkam un putekļu sūcējam.
	Nepareiza darbība	Uz mirkli piespiediet bezvadu sistēmas aktivizēšanas pogu un atkal veiciet darbarīka reģistrācijas/atcelšanas procedūru.
	Darbarīks un putekļu sūcējs ir tālu viens no otra (ārpus signāla uztveršanas zonas).	Darbarīku un putekļu sūcēju novietojiet tuvāk vienu otram. Maksimālais signāla uztveršanas attālums ir apmēram 10 m, taču apstākļu ietekmē tas var atšķirties.
	Pirms darbarīka reģistrācijas/atcelšanas pabeigšanas - darbarīka slēdzis ir ieslēgts vai - ieslēgšanas poga uz putekļu sūcēja ir ieslēgta.	Uz mirkli piespiediet bezvadu sistēmas aktivizēšanas pogu un atkal veiciet darbarīka reģistrācijas/atcelšanas procedūru.
	Darbarīka reģistrācijas procedūra darbarīkam vai putekļu sūcējam nav pabeigta.	Vienlaikus veiciet darbarīka reģistrācijas procedūru gan darbarīkam, gan putekļu sūcējam.
	Radiotraucējumi no citām iekārtām, kas generē ļoti intensīvus radioviļņus.	Darbarīku un putekļu sūcēju neturiet tādu iekārtu tuvumā kā bezvadu tehnoloģiju (Wi-Fi) ierīces un mikroviļņu krāsnis.
Putekļu sūcējs nedarbojas kopā ar darbarīka pārslēgšanu.	Putekļu sūcējam un/vai darbarīkam nav uzstādīta bezvadu ierīce. Bezvadu ierīce darbarīkam un/vai putekļu sūcējam ir uzstādīta nepareizi.	Uzstādiet bezvadu ierīci pareizi.
	Bezvadu sistēmas aktivizēšanas poga uz darbarīka nav nospiesta.	Uz mirkli piespiediet bezvadu sistēmas aktivizēšanas pogu un pārliecinieties, ka bezvadu sistēmas lampiņa mirgo zilā krāsā.
	Gaidstāves slēdzis uz putekļu sūcēja nav ieslēgts pozīcijā „AUTO”.	Gaidstāves slēdzi uz putekļu sūcēja pārslēdziet pozīcijā „AUTO”.
	Pie putekļu sūcēja ir pieslēgti vairāk nekā 10 darbarīki.	Atkārtoti reģistrējiet darbarīku. Ja putekļu sūcējam reģistrēti vairāk nekā 10 darbarīki, automātiski tiks atcelts visvienāks reģistrētais darbarīks.
	No putekļu sūcēja ir dzēsti visu reģistrēto darbarīku iestatījumi.	Atkārtoti reģistrējiet darbarīku.
	Nav strāvas padeves	Pieslēdziet strāvas padevi darbarīkam un putekļu sūcējam.
	Darbarīks un putekļu sūcējs ir tālu viens no otra (ārpus signāla uztveršanas zonas).	Darbarīku un putekļu sūcēju novietojiet tuvāk vienu otram. Maksimālais signāla uztveršanas attālums ir apmēram 10 m, taču apstākļu ietekmē tas var atšķirties.
	Radiotraucējumi no citām iekārtām, kas generē ļoti intensīvus radioviļņus.	Darbarīku un putekļu sūcēju neturiet tādu iekārtu tuvumā kā bezvadu tehnoloģiju (Wi-Fi) ierīces un mikroviļņu krāsnis.

Neatbilstošas darbības stāvoklis	Iespējamais iemesls (kļūme)	Risinājums
Putekļu sūcējs darbojas, kamēr darbarīks nedarbojas.	Putekļu sūcēja bezvadu sistēmas aktivizēšanas funkciju saviem darbarīkiem izmanto cili lietotāji.	Izslēdziet citu darbarīku bezvadu aktivizēšanas pogu vai atceliet darbarīka reģistrāciju citiem darbarīkiem.
Nav iespējams dzēst visus putekļu sūcējam reģistrētos darbarīkus.	Piespiediet bezvadu sistēmas aktivizēšanas pogu uz darbarīka.	Piespiediet bezvadu sistēmas aktivizēšanas pogu uz putekļu sūcēja, lai dzēstu visus reģistrētos darbarīkus.
	Gaidstāves slēdzis uz putekļu sūcēja nav ieslēgts pozīcijā „AUTO”.	Gaidstāves slēdzi uz putekļu sūcēja pārslēdziet pozīcijā „AUTO”.
	Bezvadu sistēmas aktivizēšanas pogu nav pareizi nospiesta un turēta.	Turiet nospiestu bezvadu sistēmas aktivizēšanas pogu vairāk nekā 6 sekundes, pēc tam, kad bezvadu sistēmas aktivizēšanas lampiņa sāk mirgot sarkanā krāsā, atlaidiet to. Vēlreiz turiet nospiestu bezvadu sistēmas aktivizēšanas pogu vairāk nekā 6 sekundes, līdz bezvadu sistēmas aktivizēšanas lampiņa ātri mirgo sarkanā krāsā, un pēc tam atlaidiet pogu.

APKOPE

▲BRĪDINĀJUMS: Veicot apkopi, vienmēr valkājiet P2 respiratoru.

▲UZMANĪBU: Pirms ierīces pārbaudes vai apkopes vienmēr pārliecinieties, ka tā ir izslēgta un akumulatoru kasetnes ir izņemtas.

▲UZMANĪBU: Vismaz reizi gadā apmācītam cilvēkam jāveic tehniskā pārbaude, kas ietver filtru, hermētiskuma un vadības mehānisma pārbaudi.

▲UZMANĪBU: Apkopes laikā jāutilizē visas piesārņotās daļas, kuras nav iespējams pienācīgi notīrīt. Šādas daļas jāutilizē necaurlaidīgos maisos, kas atbilst jūsu valstī spēkā esošajiem noteikumiem.

▲UZMANĪBU: Pēc lietošanas bīstamā zonā darbarīka ārpuse jāattīra, izmantojot putekļsūcēju, un jānoslauka vai arī jāapstrādā ar blīvēšanas līdzekli, pirms šo darbarīku iznes no bīstamās zonas. Iznesot no bīstamās zonas, visas darbarīka daļas jāuzskata par piesārņotām, un jāveic atbilstošas darbības, lai novērstu putekļu izplatīšanos.

▲UZMANĪBU: Nomainiet filtrus, kad tie ir aizsprostoti ar putekļiem vai arī kad jūtat, ka putekļsūcēja jauda samazinās.

▲UZMANĪBU: Periodiski pārbaudiet filtrus. Ja filtrā ir plīsums, nekavējoties nomainiet to.

IEVĒRĪBAI: Nekad neizmantojiet gāzoliņu, benzīnu, atšķaidītāju, spirtu vai līdzīgus šķidrumus. Tas var radīt izbalēšanu, deformāciju vai plaisas.

Lai saglabātu izstrādājuma DROŠU un UZTICAMU darbību, remontdarbus, apkopi un regulēšanu uzticiet veikt tikai Makita pilnvarotam vai rūpnīcas apkopes centram, un vienmēr izmantojiet tikai Makita rezerves daļas.

Filtra bloka izņemšana

▲UZMANĪBU: Nogaidiet apmēram 5 minūtes, lai putekļi tvirtnē pilnībā nosēstos.

▲UZMANĪBU: Noņemot filtra bloku, uzmanieties, lai putekļi neieķītu tvirtnes pārsegā.

Filtra bloks ir piestiprināts pie augšējā bloka. To veido augšējā plāksne, priekšfiltri, slāpētāji un smalko putekļu filtri.

1. Atbrīvojiet fiksācijas āķus un noceliet augšējo bloku no tvirtnes.
2. Noņemiet filtra bloku no augšējā bloka, kā parādīts attēlā.

► **Att.37:** 1. Fiksators 2. Filtra bloks

Smalko putekļu filtra un priekšfiltra noņemšana

Satveriet mēlīti un izņemiet filtrus no augšējās plāksnes.

► **Att.38:** 1. Augšējā plāksne 2. Filtri 3. Mēlīte

Lai nepieļautu putekļu pacelšanos gaisā, ieteicams filtrus izņemt, ievietojot tos polietilēna maisā. Nesot filtrus, lai tos iztīrītu, cieši aizsieniet polietilēna maisu.

► **Att.39:** 1. Filtra bloks 2. Polietilēna maiss

► **Att.40:** 1. Augšējā plāksne 2. Filtri 3. Polietilēna maiss

Smalko putekļu filtra, priekšfiltra un slāpētāja tīrīšana

Laiku pa laikam iztīriet filtrus un slāpētāju, aizsprostoti filtri un slāpētājs var izraisīt vāju sūkšanas jaudu.

Regulāri iztīriet filtrus un slāpētāju uzkrājušos putekļus. Laiku pa laikam izmazgājiet smalko putekļu filtru, priekšfiltru un slāpētāju ūdenī, noskalojiet un rūpīgi izžāvējiet ēnā pirms lietošanas. Nekādā gadījumā nemazgājiet tos veļas mašīnā.

► **Att.41**

PIEZĪME: Nekasiet un neskrāpējiet pulvera filtru, priekšfiltru vai buferi ar cietiem priekšmetiem, piemēram, suku vai lāpstīgu.

PIEZĪME: Laika gaitā filtri nolietojas. Iesakām rezervē glabāt dažus filtrus.

Smalko putekļu filtra un priekšfiltra uzstādīšana

IEVĒRĪBAI: Smalko putekļu filtrs un priekšfiltrs var aizturēt gan sausos putekļus, gan slapjus netīrumus. Pārliecinieties, vai ūdens līmeņa sensori iedarbojas pareizi, lai novērstu smalko putekļu filtra sabojāšanu.

Ieāķējiet filtra bloka malas augšējā plāksnē un pēc tam nolaidiet mēlīti.

► **Att.42:** 1. Mala 2. Mēlīte

IEVĒRĪBAI: Pirms pulvera filtra izmantošanas vienmēr pārbaudiet, vai kopā tiek izmantots priekšfiltrs un buferis. Pulvera filtru nedrīkst uzstādīt vienu pašu.

Filtru montāža

Ja saņemat filtrus atsevišķi, samontējiet tos, kā parādīts attēlā.

► **Att.43:** 1. Smalko putekļu filtrs 2. Slāpētājs 3. Priekšfiltrs

Filtra bloka uzstādīšana

Pēc filtru uzstādīšanas augšējā plāksnē uzāķējiet filtra bloka caurumus uz iekšējā pārsega U veida daļām. Pēc tam aizveriet fiksatoru, kā parādīts attēlā.

► **Att.44:** 1. U veida daļa 2. Caurums 3. Fiksators

Ūdens filtra uzstādīšana

Papildu piederumi

IEVĒRĪBAI: Lai savāktu slapjus netīrumus, pārbaudiet, vai ūdens līmeņa sensori darbojas pareizi.

IEVĒRĪBAI: Izmantojot ūdens filtru, neizmantojiet priekšfiltru un slāpētāju.

Tikai ūdens vai slapju netīrumu savākšanai piemērotāks ir ūdens filtrs, nevis smalko putekļu filtrs un priekšfiltrs. Uzstādot ūdens filtru, ievietojiet to augšējā plāksnē tāpat kā smalko putekļu filtru un priekšfiltru.

► **Att.45**

PIEZĪME: Ieteicams izmantot ūdens filtru, vairākkārt savācot lielu daudzumu ūdens. Pretējā gadījumā, izmantojot smalko putekļu filtru un priekšfiltru, sūkšanas spēja var būt samazināta.

Ūdens līmeņa sensoru tīrīšana

Ūdens līmeņa sensori konstatē ūdeni, kad tvertne kļūst pārāk pilna ar ūdeni. Laiku pa laikam, kad maināt filtrus, notīriet ūdens līmeņa sensorus ar mikstu drānu.

► **Att.46:** 1. Ūdens līmeņa sensors

Piederumu glabāšana

Neizmantotos piederumus un papildierīces, piemēram, uzgaļus, caurules un vāciņu, var glabāt, uzkārtus uz āķa putekļsūcēja aizmugurē.

► **Att.47:** 1. Neizmantotie piederumi un papildierīces 2. Vāciņš

Ja putekļsūcējs kādu laiku netiek lietots, caurules (ar uzstādītu papildu atduri) var ievietot caurules turētājā.

► **Att.48:** 1. Atduris (papildpiederums) 2. Caurules turētājs

Šļūteni var glabāt, aptinot to lielos lokos ap putekļsūcēja korpusu vai rokturi. Savienojiet tās abus galus, izveidojot cilpas, ko novietojiet uz pacelta roktura. Tās pamatnes galu var arī atstāt šļūtenes ievades vietā, un uzkārt cilpas uz universālā āķa, sasienot brīvo galu.

► **Att.49**

► **Att.50**

PAPILDU PIEDERUMI

⚠UZMANĪBU: Šādi piederumi un papildierīces tiek ieteiktas lietošanai ar šajā rokasgrāmatā aprakstīto Makita darbarīku. Izmantojot citus piederumus vai papildierīces, var tikt radīta traumu gūšanas bīstamība. Piederumu vai papildierīci izmantojiet tikai paredzētajam mērķim.

Ja jums vajadzīga palīdzība vai precīzāka informācija par šiem piederumiem, vērsieties savā tuvākajā Makita apkopes centrā.

- Šļūtene
- Priekšējās uznavas (22, 24, 38)
- Taisnā caurule
- Stūru uzgaļi
- Apaļā suka
- Smalko putekļu filtrs M, H (HEPA)
- Buferis
- Priekšfiltrs
- Ūdens filtrs
- Uzgaļa mezgls
- Liektā caurule
- Polietilēna maiss
- Filtra maiss
- Vāciņš
- Makita oriģinālais akumulators un lādētājs
- Bezvadu bloks
- MAKPAC

PIEZĪME: Daži sarakstā norādītie izstrādājumi var būt iekļauti instrumenta komplektācijā kā standarta piederumi. Tie dažādās valstīs var būt atšķirīgi.

ĮSPĖJIMAS

- Šis įrenginys nėra skirtas naudoti asmenims, įskaitant vaikus, turintiems fizinių, jutimo ar dvasios negalių arba stokojantiems patirties ir žinių.
- Būtina prižiūrėti vaikus, kad jie nežaistų su valymo įrenginiu.
- Akumuliatoriaus tipą rasite nurodytą skyriuje „TECHNINĖS SĄLYGOS“.
- Kaip išimti ar įdėti akumuliatorių, skaitykite skyriuje „Akumuliatoriaus kasetės įdėjimas ar išėmimas“.
- Kai išmetate akumuliatoriaus kasetę, išimkite ją iš įrankio ir išmeskite saugioje vietoje. Vadovaukitės vietos reglamentais dėl akumuliatorių išmetimo.
- Jei įrankis bus ilgą laiką nenaudojamas, akumuliatorių būtina išimti iš įrankio.
- Nesudarykite akumuliatoriaus kasetėje trumpojo jungimo.
- Atitinkamą informaciją apie atsargumo priemones atliekant naudotojui techninės priežiūros darbus rasite skyriuje „TECHNINĖ PRIEŽIŪRA“.

SPECIFIKACIJOS

Modelis:		VC006GM
Didžiausias oro tūris žarnos gale	Su BL4050F, ø28 mm x3,5 m žarna	2,0 m ³ /min
	Su BL4050F, ø38 mm x 2,5 m žarna	3,7 m ³ /min
Didžiausias oro tūris ties turbina (naudojant BL4050F)		4,9 m ³ /min
Vakuumas (naudojant BL4050F)		18 kPa
Surenkamas kiekis	Dulkės	40 l
	Vanduo	30 l
Matmenys (l x P x A)		586 mm x 385 mm x 598 mm
Vardinė įtampa		Nuol. sr. maks. 72–80 V
Grynasis svoris		18,4–20,8 kg
Apsaugos laipsnis		IPX4

- Atliekame tęstinius tyrimus ir nuolat tobuliname savo gaminius, todėl čia pateikiamos specifikacijos gali būti keičiamos be įspėjimo.
- Skirtingose šalyse techninės sąlygos gali skirtis.
- Į svorį neįskaičiuoti priedai, tik akumuliatoriaus kasetė (-ės). Lentelėje nurodytas mažiausias ir didžiausias prietaiso ir akumuliatoriaus kasetės (-čių) derinių svoris.

Tinkama akumuliatoriaus kasetė ir (arba) įkroviklis

Akumuliatoriaus kasetė	BL4020 / BL4025 / BL4040* / BL4050F* / BL4080F* *: rekomenduojamas akumuliatorius
Įkroviklis	DC40RA / DC40RB / DC40RC

- Atsižvelgiant į gyvenamosios vietos regioną, kai kurios pirmiau nurodytos akumuliatoriaus kasetės ir įkrovikliai gali būti neprieinami.

ĮSPĖJIMAS: Naudokite tik akumuliatoriaus kasetes ir įkroviklius, kurie nurodyti anksčiau. Naudojant bet kurias kitas akumuliatoriaus kasetes ir įkroviklius, gali kilti sužeidimo ir gaisro pavojus.

Simboliai

Toliau yra nurodyti simboliai, kurie gali būti naudojami įrangai. Prieš naudodami įsitinkinkite, kad suprantate jų reikšmę.



Perskaitykite instrukcijų vadovą.



Būkite itin atsargūs ir dėmesingi.



Įspėjimas! Valymo įrenginyje gali būti pavojingų dulkių.



Niekada nestovėkite ant valymo įrenginio.



Niekada nedėkite ant siurblio nieko sunkesnio nei 20 kg (44 sv.).



Dulkių klasė M (vidutinė): skirtas atskirti dulkes, kurių profesinio poveikio ribinė reikšmė yra ne mažiau nei 0,1 mg/m³. Siurbliai gali surinkti L ir M klasės dulkes. Laikykitės savo šalies teisės akto, susijusio su dulkmėmis ir profesine sveikata bei darbo sauga.



Taikoma tik ES šalims
Kadangi įrangoje yra pavojingų komponentų, panaudota elektrinė ir elektroninė įranga, akumuliatoriai ir baterijos gali turėti neigiamo poveikio aplinkai ir žmonių sveikatai.

Nešalinkite elektros ir elektroninių prietaisų ar baterijų kartu su buitiniams atliekomis! Pagal Europos direktyvą dėl elektros ir elektroninės įrangos atliekų bei akumuliatorių ir baterijų ir panaudotų akumuliatorių ir baterijų bei jos pritaikymą nacionaliniams įstatymams, panaudota elektros ir elektroninė įranga, baterijos ir akumuliatoriai turi būti surenkami atskirai ir pristatomi į atskirą buitinių atliekų surinkimo punktą, kuris veikia pagal aplinkos apsaugos taisykles. Tai rodo perbrauktas konteinerio ant ratukų simbolis, pateiktas ant įrangos.

Numatytoji naudojimo paskirtis

Prietaisas skirtas šlapioms ir sausoms dulkmėms surinkti. Šis prietaisas tinkamas komerciniam naudojimui, pavyzdžiui, viešbučiuose, mokyklose, ligoninėse, gamyklose, parduotuovėse, biuruose ir nuomos verslo įmonėse.

Triukšmas

Įprastas triukšmo A lygis, nustatytas pagal EN60335-2-69:

Garso slėgio lygis (L_{PA}): 70 dB (A) arba mažiau
Paklaida (K): 2,5 dB (A)

Dirbant triukšmo lygis gali viršyti 80 dB (A).

PASTABA: Paskelbta (-os) triukšmo reikšmė (-ės) nustatyta (-os) pagal standartinį testavimo metodą ir ji galima naudoti vienam įrankiui palyginti su kitu.

PASTABA: Paskelbta (-os) triukšmo reikšmė (-ės) taip pat gali būti naudojama (-os) norint preliminariai įvertinti triukšmo poveikį.

ĮSPĖJIMAS: Dėvėkite ausų apsaugą.

ĮSPĖJIMAS: Faktiškai naudojant elektrinį įrankį, keliamo triukšmo dydis gali skirtis nuo paskelbtos (-ų) reikšmės (-ių), priklausomai nuo būdu, kuriais yra naudojamas šis įrankis, ir ypač nuo to, kokio tipo ruošinys apdirbamas.

ĮSPĖJIMAS: Siekdami apsaugoti operatorių, būtina įvertinkite saugos priemones, remdamiės vibracijos poveikio įvertinimu esant faktinėms naudojimo sąlygoms (atsižvelgdami į visas darbo ciklo dalis, pavyzdžiui, ne tik kiek laiko įrankis veikia, bet ir kiek kartų jis yra išjungiamas bei kai jis veikia be apkravų).

Vibracija

Vibracijos bendroji vertė (triaušo vektoriaus suma) nustatyta pagal EN60335-2-69 standartą:
Vibracijos emisija (a_{h,M}): 2,5 m/s² arba mažiau
Paklaida (K): 1,5 m/s²

PASTABA: Paskelbta (-os) vibracijos bendroji (-osios) reikšmė (-ės) nustatyta (-os) pagal standartinį testavimo metodą ir ji gali būti naudojama vienam įrankiui palyginti su kitu.

PASTABA: Paskelbta (-os) vibracijos bendroji (-osios) reikšmė (-ės) taip pat gali būti naudojama (-os) norint preliminariai įvertinti vibracijos poveikį.

ĮSPĖJIMAS: Faktiškai naudojant elektrinį įrankį, keliamos vibracijos dydis gali skirtis nuo paskelbtos (-ų) reikšmės (-ių), priklausomai nuo būdu, kuriais yra naudojamas šis įrankis, ir ypač nuo to, kokio tipo ruošinys apdirbamas.

ĮSPĖJIMAS: Siekdami apsaugoti operatorių, būtina įvertinkite saugos priemones, remdamiės vibracijos poveikio įvertinimu esant faktinėms naudojimo sąlygoms (atsižvelgdami į visas darbo ciklo dalis, pavyzdžiui, ne tik kiek laiko įrankis veikia, bet ir kiek kartų jis yra išjungiamas bei kai jis veikia be apkravų).

EB atitikties deklaracija

Tik Europos šalims

EB atitikties deklaracija yra pridama kaip šio instrukcijų vadovo A priedas.

SAUGOS ĮSPĖJIMAI

Saugos įspėjimai dėl akumuliatorinio vakuuminio valymo įrenginio naudojimo

ĮSPĖJIMAS: SVARBU: PRIEŠ PRADĖDAMI NAUDOTI, ATIDŽIAI PERSKAITYKITE visus saugos įspėjimus ir nurodymus. Nesilaikydami toliau pateiktų įspėjimų ir instrukcijų, galite patirti elektros smūgį, gaisrą ir (arba) sunkų sužeidimą.

1. Prieš pradėdami naudoti, įsitikinkite, ar šį valymo įrenginį naudoja tik tie žmonės, kurie yra tinkamai išmokyti, kaip naudoti šį valymo įrenginį.
2. Prieš naudojimą operatoriams pateikiama informacija, instrukcijos ir suteikiami mokymai, kaip naudotis įrenginiu, taip pat informuojama, su kokiomis medžiagomis jis skirtas naudoti, įskaitant saugų surinktų medžiagų išėmimą ir šalinimą.
3. Jeigu veržiasi putos ir (arba) skystis, tuoj pat išjunkite.
4. Reguliariai valykite vandens lygio ribojimo įtaisą ir tikrinkite, ar nėra jo sugadinimo požymių.
5. Prieš naudodami visada įsitikinkite, kad filtrai įdėti tinkamai. Nenaudokite valymo įrenginio, jei filtrai įdėti netinkamai. Pažeistą filtrą nedelsdami pakeiskite nauju. Rekomenduojama turėti atsarginių filtrų, nes šios dalys dėvėsi.
6. **VENKITE NETYČINIO PALEIDIMO.** Prieš dėdami akumuliatorių (-ius), patikrinkite, ar jungiklis yra nustatytas į išjungimo padėtį „OFF“.
7. Nebandykite siurbti degių medžiagų, fejer-verkų, uždegtų cigarečių, karštų pelenų, karštų metalo drožlių ir aštrių medžiagų, pvz., skutimosi peiliukų, adatų, stiklo šukių ir pan.
8. **NIEKADA NENAUDOKITE VALYMO ĮRENGINIO ŠALIA BENZINO, DUJŲ, DAŽŲ, KLIJŲ ARBA KITŲ LABAI DEGIŲ MEDŽIAGŲ.** Įjungiant arba išjungiant jungiklį, kyla kibirkščių. Įrenginiu veikiant, kibirkščiuoja ir variklio srovės keitiklis. Gali kilti pavojingas sproginimas.
9. Niekada nesiurbkite nuodingų, kancerogeninių, degių arba kitų pavojingų medžiagų, pavyzdžiui, asbesto, arseno, bario, berilio, švino, pesticidų ir kitų sveikatai pavojingų medžiagų.
10. Visada valymo įrenginį dėkite ant horizontalaus lygaus paviršiaus, kad jis nenukristų arba netyčia nepajudėtų.
11. Niekada nenaudokite valymo įrenginio lauke lietui lyjant.
12. Suomijoje šio įrenginio negalima naudoti lauke esant žemai temperatūrai.
13. Nenaudokite prie šilumos šaltinių (krosnių ir pan.).
14. Jeigu ištraukiamas oras yra grąžinamas į patalpą, būtina pasirūpinti pakankama oro cirkuliacijos sparta patalpoje. Būtina laikytis šalyje galiojančių taisyklių.
15. Neužkimškite įsiurbimo angos / išleidimo / vėsinimo ventiliacijos angų. Šios ventiliacijos angos skirtos varikliui aušinti. Stenkitės jų neužblokuoti, kitaip dėl vėdinimo trūkumo perdeg variklis.
16. Visuomet tvirtai stovėkite ant žemės, išlaikykite pusiausvyrą.
17. Nesulenkite, neįtempkite ir neatsistokite ant žarnos.
18. Nedelsdami išjunkite valymo įrenginį, jeigu pastebėtumėte, jog jis prastai arba neišprastai veikia.
19. **IŠIMKITE AKUMULIATORIŲ (-IUS).** Kai jo nenaudojate, prieš atlikdami remonto arba techninės priežiūros darbus ir keisdami priedus.
20. Norėdami, kad valymo įrenginys veiktų geriausiai, kiekvieną kartą jį panaudoję, nuvalykite ir atlikite techninę jo priežiūrą.
21. **TINKAMAI PRIŽIŪRĖKITE VALYMO ĮRENGINĮ.** Valymo įrenginys visuomet turi būti švarus, kad darbas vyktų geriau ir saugiau. Laikykitės priešų keitimo nurodymų. Rankenos turi būti švarios, sausos ir neištepotos tepalu.
22. **PATIKRINKITE, AR NĖRA SUGEDUSIŲ DALIŲ.** Prieš toliau naudodami valymo įrenginį, atidžiai apžiūrėkite sugadintą apsauginį įtaisą ar kitą dalį ir nustatykite, ar ji veiks tinkamai ir atliks savo funkciją. Patikrinkite judančių dalių sulyginimą, suveržimą, ar nėra sulūžusių dalių, ar dalys tinkamai sumontuotos ir kitas sąlygas, kurios gali paveikti prietaiso veikimą. Sugadintą apsauginį įtaisą ar kitą dalį reikia tinkamai remontuoti arba pakeisti įgaliojajame techninės priežiūros centre, nebent šioje instrukcijoje nurodyta kitaip. Sugedusius jungiklius turi pakeisti įgaliojasis priežiūros centras. Nenaudokite valymo įrenginio, jeigu jo jungiklis jo neįjungia arba neišjungia.
23. Jei naudotojui reikia atlikti priežiūros darbus, įrenginį reikia išardyti, išvalyti ir sutvarkyti, kiek tai įmanoma, nekeltiant rizikos techninės priežiūros personalui ir kitiems žmonėms.
24. Įrenginio techninę patikrą bent kas metus turi atlikti gamintojas ar išmokytas asmuo. Pavyzdžiui, šią patikrą sudaro filtrų patikra (ar nepažeisti), įrenginio sandarumo ir valdymo mechanizmo tinkamo veikimo patikra.
25. Atliekant techninės priežiūros ar remonto darbus, visus užterštus elementus, kurių negalima patenkinamai išvalyti, reikia šalinti; tokie elementai turi būti šalinami nelaidžiuose maišeliuose pagal visus šiuo metu galiojančius ir tokių atliekų šalinimui taikomus reglamentus.
26. **ATSARGINĖS DALYS.** Prižiūrėdami naudokite tik identiškas atsargines dalis.
27. **VALYMO ĮRENGINYS TURI BŪTI LAIKOMAS IŠJUNGTAS.** Nenaudojamą valymo įrenginį privaloma laikyti patalpoje.
28. Prieš padedant įrenginį į vietą, drėgni filtrai ir vidinė skysčio indo dalis turi būti išdžiovinti.
29. Saugokite valymo įrenginį. Šiurkščiai naudojami, gali sugesti net ir tvirtčiausi valymo įrenginiai.
30. Nebandykite valyti išorinių arba vidinių dalių benzinu, tirpikliu arba cheminėmis valymo medžiagomis. Jos gali įtrūkti arba išblukti.
31. Nenaudokite valymo įrenginio uždaroje patalpoje, kurioje yra degių, sprogių arba nuodingų garų, kuriuos skleidžia alejiniai dažai, dažų skiedikliai, benzinas, kai kurios kandžios neadamos medžiagos ir pan., arba tokiose vietose, kuriose yra degių dulkių.
32. Nenaudokite šio arba bet kokie kito įrenginio, kai esate apsvaigę nuo narkotikų arba alkoholio.

33. Pagrindinė saugos taisyklė: dėvėkite apsauginius darbo akinius arba apsauginius akinius su šoniniais skydeliais.
34. Dirbdami dulkelėje aplinkoje, dėvėkite respiratorių.
35. Šis įrenginys nėra skirtas naudoti asmenims, įskaitant vaikus, turintiems fizinį, jutimo ar dvasios negalių arba stokojantiems patirties ir žinių.
36. Būtina prižiūrėti vaikus, kad jie nežaištų su valymo įrenginiu.
37. Niekada nelieskite akumulatoriaus (-ių) ar valymo įrenginio šlapiomis rankomis.
38. Būkite itin atsargūs, valydami laiptus.
39. Nenaudokite šio valymo įrenginio vietoj kėdės arba darbastalio. Įrenginys gali nuvirsti ir sužeisti.

Akumulatorinio įrankio naudojimas ir priežiūra

1. Įkraukite naudodami tik gamintojo nurodytą įkroviklį. Įkroviklis, kuris tinka vienam akumulatorių tipui įkrauti, gali kelti gaisro pavojų, jei bus naudojamas su kitų tipų akumulatoriais.
2. Elektrinius įrankius naudokite tik su specialiai jiems skirtais akumulatoriais. Naudojant bet kurį kitą akumulatorių gali kilti sužeidimo ir gaisro pavojus.
3. Kai akumulatorius nėra naudojamas, laikykite jį toliau nuo kitų metalinių daiktų, pavyzdžiui, popieriaus sąvaržėlių, monetų, raktų, vinių, varžtų ir kitų mažų metalinių daiktų, dėl kurių gali kilti trumpasis jungimas tarp kontaktų. Akumulatorių kontaktų trumpasis jungimas gali būti nudegimų arba gaisro priežastimi.
4. Netinkamai naudojant iš akumulatoriaus gali ištekėti skysčio. Venkite sąlyčio su juo. Jei sąlytis atsitiktinai įvyko, gausiai nuplaukite vandeniu. Jei skysčio pateko į akis, kreipkitės į gydytoją. Iš akumulatoriaus išbėgęs skystis gali sudirginti arba nudeginti odą.
5. Nenaudokite sugadinto ar modifikuoto akumulatoriaus arba įrankio. Sugadinti arba modifikuoti akumulatoriai gali veikti neįprastai, todėl gali kilti gaisras, sprogimas arba sužalojimo rizika.
6. Saugokite akumulatorių arba įrankį nuo ugnies ar pernelyg aukštos temperatūros. Dėl ugnies ar 130 °C viršijančios temperatūros gali kilti sprogimas.
7. Laikykites visų įkrovimo nurodymų ir nekraukite akumulatoriaus ar įrankio, kai temperatūra neatitinka nurodymuose pateikto temperatūros intervalo. Netinkamai įkraunant arba įkraunant esant kitam nei nustatytas temperatūros intervalui, gali būti sugadintas akumulatorius ar padidėti gaisro rizika.

SAUGOKITE ŠIAS INSTRUKCIJAS.

⚠ SPĖJIMAS: NELEISKITE, kad patogumas ir gaminio pažinimas (įgyjamas pakartotinai naudojant) susilpnintų griežtą saugos taisyklių, taikytinų šiam gaminiui, laikymąsi. Dėl **NETINKAMO NAUDOJIMO** arba saugos taisyklių, kurios pateiktos šioje instrukcijoje, nesilaikymo galima rimtai susižeisti.

Svarbios saugos instrukcijos, taikomos akumulatoriaus kasetei

1. Prieš naudodami akumulatoriaus kasetę, perskaitykite visas instrukcijas ir perspėjimus ant (1) akumulatorių įkroviklio, (2) akumulatorių ir (3) akumulatorių naudojančio gaminio.
2. Neardykite ir negadinkite akumulatoriaus kasetės. Dėl to ji gali užsidegti, per daug įkaisti arba sprogti.
3. Jei įrankio darbo laikas žymiai sutrumpėjo, nedelsdami nutraukite darbą su įrankiu. Tai gali kelti perkaitimo, nudegimų ar net sprogimo pavojų.
4. Jei elektrolitas pateko į akis, plaukite jas tyru vandeniu ir nedelsdami kreipkitės į gydytoją. Gali kilti regėjimo praradimo pavojus.
5. Neužtrumpinkite akumulatoriaus kasetės:
 - (1) Nelieskite kontaktų degiomis medžiagomis.
 - (2) Venkite laikyti akumulatoriaus kasetę kartu su kitais metaliniais daiktais, pavyzdžiui, vinimis, monetomis ir pan.
 - (3) Saugokite akumulatoriaus kasetę nuo vandens ir lietaus.

Trumpasis jungimas akumulatoriuje gali sukelti stiprią srovę, perkaitimą, galimus nudegimus ar net akumulatoriaus gedimą.
6. Nelaikykite ir nenaudokite įrankio ir akumulatoriaus kasetės vietoje, kur temperatūra gali pasiekti ar viršyti 50 °C (122 °F).
7. Nedeginkite akumulatoriaus kasetės, net jei yra stipriai pažeista ar visiškai susidėvėjusi. Ugnyje akumulatoriaus kasetė gali sprogti.
8. Akumulatoriaus kasetės nekalkite, nepjaustykite ir nemėtykite ir taip pat į ją netrąnkinkite kietu daiktu. Taip elgiantis, ji gali užsidegti, per daug įkaisti arba sprogti.
9. Nenaudokite pažeisto akumulatoriaus.
10. Įdėtoms ličio jonų akumulatoriams taikomi Pavojingų prekių teisės akto reikalavimai. Komeracinis sportas, pvz., trečiųjų šalių, prekių vežimo atstovų, turi laikytis specialiausių reikalavimų ant pakuotės ir ženklinimo. Norėdami paruošti siuntiną prekę, pasitarkite su pavojingų medžiagų specialistu. Be to, laikykitės galimai išsamesnių nacionalinių reglamentų. Užklijuokite juosta arba padenkite atvirus kontaktus ir supakuokite akumulatorių taip, kad jie pakuotėje nejudėtų.
11. Kai išmetate akumulatoriaus kasetę, išimkite ją iš įrankio ir išmeskite saugioje vietoje. Vadovaukitės vietos reglamentais dėl akumulatorių išmetimo.
12. Baterijas naudokite tik su „Makita“ nurodytais gaminiais. Baterijas įdėjus į netinkamus gaminius gali kilti gaisras, gaminyje pernelyg kaisti, kilti sprogimas arba pratekėti elektrolitas.
13. Jei įrankis bus ilgą laiką nenaudojamas, akumulatorių būtina išimti iš įrankio.
14. Darbo metu ir po akumulatoriaus kasetės gali būti įkaitusi ir dėl to nudeginti. Įdami akumulatoriaus kasetes, būkite atsargūs.

15. Tuojau pat po naudojimo nelieskite įrankio gnybtų, nes jie gali būti įkaitę tiek, kad nudegins.
16. Nelieskite, kad į akumulatoriaus kasetės gnybtus, angas ir griovelius patektų drožlių, dulkių ar žemių. Jos gali sukelti kaitimą, užsidegti, sprogti ir sukelti įrankio ar akumulatoriaus kasetės gedimą, dėl ko galima nusidegini ar susižaloti.
17. Jeigu įrankis nėra pritaikytas naudoti šalia aukštos įtampės elektros linijų, akumulatoriaus kasetės nenaudokite šalia aukštos įtampės elektros linijų. Dėl to gali sutrikti įrankio ar akumulatoriaus kasetės veikimas arba jie gali sugesti.
18. Laikykite akumuliatorių vaikams nepasiekiamoje vietoje.

SAUGOKITE ŠIAS INSTRUKCIJAS.

⚠ PERSPĖJIMAS: Naudokite tik originalų „Makita“ akumuliatorių. Neoriginalaus „Makita“ arba pakeisto akumulatoriaus naudojimas gali nulėmti gaisrą, asmens sužalojimą ir pažeidimą. Tai taip pat panaikina „Makita“ suteikiamą „Makita“ įrankio ir įkroviklio garantiją.

Patarimai, ką daryti, kad akumulatorius veiktų kuo ilgiau

1. Pakraukite akumulatoriaus kasetę prieš ją visiškai išsikraunant. Visuomet nustokite naudoti įrankį ir pakraukite akumulatoriaus kasetę, kai pastebite, kad įrankio galia sumažėjo.
2. Niekada nekraukite iki galo įkrautos akumulatoriaus kasetės. Perkraunant trumpėja akumulatoriaus eksploatacijos laikas.
3. Akumulatoriaus kasetę kraukite esant kambario temperatūrai 10 - 40 °C. Prieš pradėdami krauti, leiskite įkaitusiai akumulatoriaus kasetei atvėsti.
4. Kai akumulatoriaus kasetės nenaudojate, ją išimkite iš įrankio ar įkroviklio.
5. Įkraukite akumulatoriaus kasetę, jei jos nenaudojate ilgą laiką (ilgiau nei šešis mėnesius).

Svarbios saugumo instrukcijos dėl belaidžio bloko

1. Montuodami belaidį bloką, niekada patys neatidarykite lizdo dangtelio.
2. Neardykite ir nekeiskite belaidžio bloko.
3. Laikykite belaidį bloką vaikams nepasiekiamoje vietoje. Netyčia prarijus reikia nedelsiant kreiptis į medikus.
4. Naudokite belaidį bloką tik su „Makita“ įrankiais.
5. Saugokite belaidį bloką nuo lietaus ir nenaudokite jo esant drėgnoms oro sąlygoms.
6. Nenaudokite belaidžio bloko vietose, kur temperatūra viršija 50 °C.
7. Nenaudokite belaidžio bloko netoli medicinos instrumentų, pavyzdžiui, širdies stimuliatorių.
8. Nenaudokite belaidžio bloko netoli automati- nių prietaisų. Automatiniai prietaisai gali sugesti arba gali įvykti klaida.
9. Nenaudokite belaidžio bloko ten, kur gali padidėti temperatūra arba atsirasti statinis elektros krūvis arba elektrinis triukšmas.
10. Belaidis blokas gali sukurti elektromagnetinius laukus (EML), bet jie naudotojų nekenksmingi.
11. Belaidis blokas yra tikslusis instrumentas. Saugokite belaidį bloką nuo kritimo ir smūgių.
12. Nelieskite belaidžio bloko kontakto plikomis rankomis arba metaliniais įrankiais.
13. Įdėdami belaidį bloką visada išimkite gaminio akumuliatorių.
14. Atidarydami angos dangtelį venkite vietų, kur į ją gali patekti dulkių ir vandens. Anga visada turi būti švari.
15. Belaidį bloką visada dėkite reikiama kryptimi.
16. Per smarkiai nespauskite belaidžio aktyvinimo mygtuko ant belaidžio bloko, nespauskite jo aštriu daiktu.
17. Dirbdami visada uždarykite angos dangtelį.
18. Kai įrankiui tiekiamas maitinimas, niekada neimkite belaidžio bloko iš angos. Kitaip belaidis blokas gali sugesti.
19. Nenuimkite lipduko nuo belaidžio bloko.
20. Neklijuokite jokio lipduko ant belaidžio bloko.
21. Nepalikite belaidžio bloko ten, kur gali atsirasti statinis elektros krūvis arba elektrinis triukšmas.
22. Nepalikite belaidžio bloko karštoje vietoje, pavyzdžiui, automobilyje prieš saulę.
23. Nepalikite belaidžio bloko dulkečioje ar miltuo- čiuje vietoje arba ten, kur gali atsirasti išdinan- čiųjų dujų.
24. Nuo staigaus temperatūros pokyčio belaidis blokas gali aprasoti. Nenaudokite belaidžio bloko, kol rasa visiškai nenudžiūvo.
25. Norėdami nuvalyti belaidį bloką, švelniai pava- lykite sausa minkšta šluoste. Nenaudokite benzino, skiediklio, laidaus tepalo ir panašių medžiagų.
26. Laikykite belaidį bloką pridėtame dėkle arba nuo statinio krūvio apsaugotoje taroje.
27. Nekiškite į įrankio angą jokių kitų prietaisų, išskyrus „Makita“ belaidį bloką.
28. Nenaudokite įrankio, kurio angos dangtelis pažeistas. Į angą patekęs vanduo, dulksė ir pur- vas gali jį sugadinti.
29. Netraukite ir (arba) nesukite angos dangtelio daugiau, nei reikia. Atstatykite dangtelį į vietą, jei jis nukrinta nuo įrankio.
30. Pakeiskite angos dangtelį, jei jo nėra arba jis pažeistas.

SAUGOKITE ŠIAS INSTRUKCIJAS.

VEIKIMO APRAŠYMAS

▲ PERSPĖJIMAS: Prieš pradėdami reguliuoti prietaisą arba tikrinti jo veikimą, visada prietaisą išjunkite ir išimkite akumuliatoriaus kasetes.

Akumuliatoriaus kasetės uždėjimas ir nuėmimas

▲ PERSPĖJIMAS: Prieš įdėdami arba išimdami akumuliatoriaus kasetę, visada išjunkite įrankį.

▲ PERSPĖJIMAS: Įdėdami arba išimdami akumuliatoriaus kasetę, tvirtai laikykite valymo įrenginį ir akumuliatoriaus kasetę. Jeigu valymo įrenginį ir akumuliatoriaus kasetę laikysite netvirtai, jie gali išslysti iš rankų – valymo įrenginys ir akumuliatoriaus kasetė gali būti sugadinti, o naudotojas sužalotas.

▲ PERSPĖJIMAS: Atidarydami arba užspausdami akumuliatoriaus skyriaus dangtelį, būkite atsargūs, kad neprispaustumėte pirštų. Kitaip galite susižeisti.

Norėdami įdėti akumuliatoriaus kasetę, pirmiausia atlaisvinkite fiksatorių, tada atidarykite akumuliatoriaus skyriaus dangtelį. Tada įdėkite akumuliatoriaus kasetę.

► **Pav.1:** 1. Fiksatorius 2. Akumuliatoriaus skyriaus dangtelis

Sulygiuokite liežuvėlį ant akumuliatoriaus kasetės su grioveliu korpuse ir įstumkite į jai skirtą vietą. Įdėkite iki galo, kol spragtelėdama užsifiksuos. Po to užfiksuokite akumuliatoriaus skyriaus dangtelį.

► **Pav.2:** 1. Akumuliatoriaus kasetė 2. Mygtukas

Jei norite išimti akumuliatoriaus kasetę, ištraukite ją iš įrankio, stumdami mygtuką, esantį kasetės priekyje.

▲ PERSPĖJIMAS: Visada iki galo įdėkite akumuliatoriaus kasetę. Priešingu atveju ji gali netyčia iškristi iš siurblio ir sužaloti jus ar aplinkinius.

▲ PERSPĖJIMAS: Nekiškite akumuliatoriaus kasetės jėga. Jeigu kasetė sunkiai lenda, ją kišate netinkamai.

PASTABA: Valymo įrenginys neveikia tik su viena akumuliatoriaus kasete.

Likusios akumuliatoriaus galios rodymas

Paspauskite akumuliatoriaus kasetės tikrinimo mygtuką, kad būtų rodoma likusi akumuliatoriaus energija. Maždaug trims sekundėms užsidegs indikatorius lemputės.

► **Pav.3:** 1. Indikatorius lemputės 2. Tikrinimo mygtukas

Indikatorių lemputės			Likusi galia
Šviečia	Nešviečia	Blyksi	
			75 - 100 %
			50 - 75 %
			25 - 50 %
			0 - 25 %
			Įkraukite akumuliatorių.
			Galimai įvyko akumuliatoriaus veikimo triktis.

PASTABA: Rodmuo gali šiek tiek skirtis nuo faktinės energijos lygio – tai priklauso nuo naudojimo sąlygų ir aplinkos temperatūros.

PASTABA: Veikiant akumuliatoriaus apsaugos sistemai ims mirksėti pirmoji (toliausiai kairėje) indikatorius lemputė.

Valdymo pulte esantys akumuliatoriaus indikatoriai

Likusią akumuliatoriaus galią bet kada galima sužinoti pažvelgus į valdymo pultą. Paspauskite tikrinimo mygtuką ir kairiosios bei dešinėsios pusės indikatoriai parodys atitinkamo akumuliatoriaus įkrovos lygį.

► **Pav.4:** 1. Kairiosios pusės akumuliatoriaus indikatorius 2. Dešinėsios pusės akumuliatoriaus indikatorius 3. Tikrinimo mygtukas

► **Pav.5**

Akumuliatoriaus indikatorius būseną			Likusi akumuliatoriaus galia
Šviečia	Nešviečia	Blyksi	
			50 - 100 %
			20 - 50 %
			0 - 20 %
			Įkraukite akumuliatorių
			Akumuliatorius neįdėtas

PASTABA: Akumuliatoriaus indikatorius veikia, kai įdėti du akumuliatoriai.

PASTABA: Akumuliatorių indikatoriai taip pat bus suaktyvinti siurbliui pradėjus veikti.

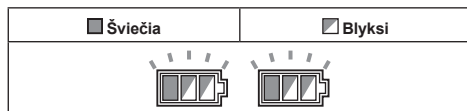
Prietaiso / akumulatoriaus apsaugos sistema

Prietaise įrengta prietaiso / akumulatoriaus apsaugos sistema. Ši sistema automatiškai atjungia variklio maitinimą, kad prietaisas ir akumulatorius ilgiau veiktų. Prietaisas automatiškai išsijungs darbo metu susidarius vienai iš toliau nurodytų prietaiso arba akumulatorius darbo sąlygų:

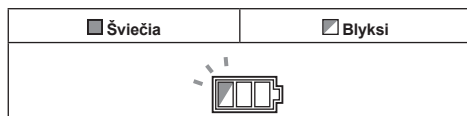
Apsauga nuo perkrovos

Kai prietaisas / akumulatorius naudojamas taip, kad neįprastai padidėja elektros srovė, prietaisas automatiškai išsijungia. Tokiu atveju išjunkite prietaisą ir nutraukite darbą, dėl kurio kilo prietaiso perkrova. Tada vėl įjunkite prietaisą.

Apsauga nuo perkaitimo



Kai prietaisas perkaista, jis automatiškai išsijungia, o kairysis ir dešinysis akumulatoriaus indikatoriai mirks. Tokiu atveju palaukite, kol prietaisas atvės ir, prieš vėl jį įjungdami, išvalykite filtrus.



Perkaitus akumulatoriui, automatiškai išsijungia ir mirksi vienas iš perkaitusio akumulatoriaus indikatorių. Tokiu atveju palaukite, kol akumulatorius atvės, paskui vėl jį įjunkite.

Apsauga nuo visiško išsikrovimo

Kai likusi akumulatoriaus galia tampa per maža, prietaisas automatiškai sustoja. Jeigu prietaisas neveikia net ir spaudžiant jungiklius, išimkite akumulatorius iš prietaiso ir įkraukite.

Apsauga nuo kitų sutrikimų

Apsaugos sistema taip pat apsaugo nuo kitų sutrikimų, galinčių pažeisti prietaisą, todėl automatiškai jį išjungia. Prietaisui laikinai sustojus arba veikimo metu išsijungus, imkitės visų toliau nurodytų veiksmų ir pašalinkite sutrikimo priežastis.

1. Išjunkite prietaisą, tada vėl įjunkite, kad paleistumėte iš naujo.
2. Įkraukite akumuliatorių (-ius) arba jį (juos) pakeiskite įkrautu (-ais) akumuliatoriumi (-iais).
3. Palaukite, kol prietaisas ir akumulatorius (-iai) atvės.

Jeį atstačius apsaugos sistemą veikimas nepagerėja, kreipkitės į vietos „Makita“ techninės priežiūros centrą.

Jungiklio veikimas

Valymo įrenginio įjungimas

1. Pasukite parengties jungiklį į padėtį „I“ (JUNGTA) arba „AUTO“ (JUNGTA), kad valymo įrenginys būtų parengtas veikti parengties režimu.
2. Paspauskite įjungimo mygtuką. Norėdami vėl perjungti į parengties režimą, dar kartą paspauskite įjungimo mygtuką.

Valymo įrenginio išjungimas

Atlikite vieną iš toliau nurodytų veiksmų.

- Paspauskite įjungimo mygtuką, kad siurblys vėl būtų perjungtas į parengties režimą.
- Pasukite parengties jungiklį į padėtį „O“ (IŠJUNGTA).

Siurbimo galios reguliavimas

Siurbimo galią galima reguliuoti, atsižvelgiant į atliekamą darbą.

- Norėdami siurbimo galią sumažinti, siurbimo galios reguliavimo rankenėlę pasukite į kairę.
- Norėdami siurbimo galią padidinti, siurbimo galios reguliavimo rankenėlę pasukite į dešinę.

Žarnos skersmens pasirinkimas

Pasukite žarnos skersmens pasirinkimo rankenėlę į skersmenį, kurį naudosite.

PASTABA: Nesukite rankenėlės į tarpus tarp skaičių. Visada sukite rankenėlę pagal žarnos skersmenį.

- **Pav.6:** 1. Parengties jungiklis 2. Siurbimo galios reguliavimo rankenėlė 3. Žarnos skersmens pasirinkimo rankenėlė 4. Įjungimo mygtukas

PASTABA: Kai planuojate ilgai nenaudoti siurblio, visada nustatykite parengties jungiklį į padėtį „O“. Būdamas parengties būsenos siurblys naudoja energiją.

Ispėjamasis garso signalas

Yra du garso signalo tipai. Vienas yra trumpi garso signalai, kitas – nuolatiniai garso signalai.

- Kai oro srauto greitis nukrenta žemiau 20 m/s, siurblys saugumo sumetimais skleidžia trumpus įspėjamuosius garso signalus. Kai jie girdimi, patikrinkite žarnos skersmens pasirinkimo rankenėlės padėtį ir ar siurbimo galia ne per maža. Jei garso signalai toliau girdimi, atlikite techninę priežiūrą arba kreipkitės į vietinį techninės priežiūros centrą.
- Kai bakelis pripildytas skysčio, siurblys skleidžia nuolatinius įspėjamuosius garso signalus ir automatiškai sustoja veikti. Siurbliui nustojus veikti, išjunkite jį ir ištuštinkite bakelį.

Automatinis siurbimo sustabdymas siurbiant drėgnų dulkių režimu

⚠ IŠPĖJIMAS: Nesiurbkite putų arba skysčio su muilu. Tai darant putas gali pradėti veržtis iš oro išleidimo angos. Toliau naudojant tokiomis sąlygomis galimas elektros smūgis arba siurblio gedimas.

Siurblyje yra mechanizmas, kuris neleidžia vandeniui patekti į variklį, kai siurbiamas didesnis nei tam tikras kiekis vandens. Kai bakelis pripildytas skysčio, siurblys skleidžia nuolatinius įspėjamuosius garso signalus ir automatiškai sustoja veikti. Siurbliui nustojus veikti, išjunkite jį ir ištuštinkite bakelį.

Filtrų valymo sistema

Šiame prietaise yra filtrų valymo sistema. Naudojant prietaisą, filtro valymo sistema automatiškai šalina iš filtrų dulkes, kad siurbimo jėga nesumažėtų dėl filtrų užsikimšimo.

Jei prietaisas vienu kartu įsiurbia daug dulkių, siurbimo jėga gali sumažėti. Tokiu atveju rekomenduojama išvalyti filtrus rankomis.

1. Išjunkite prietaisą.
2. Nustatykite maksimalią siurbimo galią ir delnu uždenkite siurbimo žarnos angą.
3. Įjunkite prietaisą ir leiskite jam apie 15 sekundžių veikti, uždengę siurbimo angą.

► **Pav.7:** 1. Siurbimo žarnos anga

PASTABA: Kol suaktyvinama filtro valymo sistema, oro srautas gali keistis, bet tai nėra gedimas.

Vandens išleidimo anga

Kai bakelis pripildytas skysčio, išjunkite siurbtį ir atidarykite vandens išleidimo angos dangtelį, kad ištuštintumėte bakelį.

► **Pav.8:** 1. Vandens išleidimo angos gaubtas

Gaubtas

Gaubtas pristatomas su prietaisu. Uždėję gaubtą ant žarnos prijungimo angos neleisite susiurbtoms dulksmėms išstrūkti iš siurblio.

► **Pav.9:** 1. Gaubtas

Ratukų fiksavimas ir atlaisvinimas

Priekinius ratukus galima užfiksuoti stabdikliais, kad siurblys stovėtų vietoje. Ranka nuleiskite stabdiklio svirtelę, kad ratuką užfiksuotumėte, o norėdami atlaisvinti – pakelkite.

► **Pav.10:** 1. Ratukas 2. Stabdiklio svirtelė 3. ATLEIDIMO padėtis 4. UŽFIKSAVIMO padėtis

PASTABA: Stumdami valymo įrenginį įsitikinkite, kad ratukai atlaisvinti. Stumiant valymo įrenginį, kai ratukai užfiksuoti, ratukus galima sugadinti.

Suporto rankena

⚠ PERSPĖJIMAS: Prietaisą kelkite ir neškite itin rūpestingai. Priešingu atveju galite susižeisti arba pažeisti prietaisą.

Nešdami valymo įrenginį, jį neškite laikydami už galvutės bloko rankenos. Nenaudojant galvutės bloko rankeną galima nulenkti.

► **Pav.11**

Jei sunku vienam (-ai) nešti siurbtį, neškite jį dviese, kaip parodyta paveikslėlyje.

► **Pav.12**

► **Pav.13**

SURINKIMAS

⚠ JSPĖJIMAS: Prietaise gali būti kenksmingų dulkių. Kai keičiate filtro elementus arba dulkių maišelį ar atliekate techninę priežiūrą, visada dėvėkite P2 klasės respiratorių.

⚠ PERSPĖJIMAS: Prieš atlikdami bet kokius darbus su prietaisu, visada patikrinkite, ar prietaisas išjungtas, o akumuliatoriaus kasetės išimtos.

Filtro maišelio įdėjimas ir išėmimas

⚠ JSPĖJIMAS: Visada naudokite P2 klasės respiratorių.

⚠ JSPĖJIMAS: Prieš naudodami filtro maišelį, įsitikinkite, kad kartu naudojamas filtro blokas. Nenaudojant filtro bloko gali atsirasti neįprastas triukšmas ir kaitimas, dėl kurio gali kilti gaisras.

⚠ JSPĖJIMAS: Kai naudojate prietaisą M klasės dulksmėms, visada naudokite filtro maišelį.

PASTABA: Niekada nesiurbkite vandens ar kitų skysčių, naudodami filtro maišelį. Siurbdami tokias medžiagas galite sugadinti filtro maišelį.

1. Atleiskite fiksavimo kabliukus ir nukelkite galvutės bloką nuo bakelio.

► **Pav.14:** 1. Fiksavimo kabliukas

2. Išvyniokite filtro maišelį.

3. Išlygiuokite filtro maišelio angą su bakelio dulkių angą.

4. Įkiškite filtro maišelio kartoninę dalį į prietaisą taip, kad jis būtų gale, už fiksatoriaus iškyšos.

► **Pav.15:** 1. Filtro maišelis 2. Kartoninė anga 3. Filtro maišelio laikiklis 4. Dulkių įsiurbimo anga 5. Kraštas

Išimdami dulkių maišelį, traukite už filtro maišelio angos taip, kad popierius ją uždengtų.

Polietileno maišelio uždėjimas

Pasirenkamas priedas

Uždėkite polietileno maišelį ant bakelio ir vieną bakelio viršutinio krašto pusę užkiškite už atviro galo tarp laikiklio plokštelės ir priekinės bakelio sienelės.

Tada išskleiskite viršutinius maišelio kraštus į išorę, kad jie apgaubtų viršutinius bakelio kraštus.

Polietileno maišelį galima naudoti kartu su filtro maišeliu.

► **Pav.16:** 1. Laikiklio plokštelė 2. Priekinė bakelio sienelė 3. Polietileno maišelis

PASTABA: Galima naudoti rinkoje parduodamus polietileno maišelius. Rekomenduojamas didesnis nei 0,04 mm storis ir didesnis nei 2 000 mm perimetras.

PASTABA: Dėl per didelio dulkių kiekio polietileno maišelis lengvai plyš, todėl neperpildykite maišelio. Išmesti sunkų maišelį gali būti fiziškai sunku.

Bakelio su polietileniniu maišeliu ištuštinimas

⚠️ ĮSPĖJIMAS: Prieš ištuštinami bakelį visada įsitikinkite, kad valymo įrenginys išjungtas, o akumuliatoriaus kasetės išimtos. Nesilaikant šių nurodymų, kyla pavojus patirti elektros smūgį ir sunkiai susižeisti.

PASTABA: Ištuštininkite bakelį bent kartą per dieną, nors tai priklauso nuo siurbiamų dulkių kiekio bakelyje. Kitaip siurbimo galia sumažės ir suges variklis.

PASTABA: Ištuštinami bakelį neimkite už fiksavimo kabliukų. Įmdami už fiksavimo kabliukų, galite juos sulaužyti.

1. Atleiskite fiksavimo kabliukus ir nukelkite galvutės bloką nuo bakelio.
2. Išimkite polietileninį maišelį iš bakelio, ranka uždarydami maišelio angą.
▶ **Pav.17:** 1. Polietileninis maišelis 2. Bakelis

PASTABA: Atsargiai išimkite polietileninį maišelį iš bakelio, kad nesubraižytumėte ir nesuplėšytumėte užkliuvę už bakelio vidaus kraštų.

PASTABA: Ištuštininkite polietileninį maišelį, kol jis dar nėra pilnas. Jeigu dulkių bakelyje bus per daug, polietileninis maišelis gali suplyšti.

Žarnos prijungimas

PASTABA: Žarnos niekada nesulenkite arba nesuspaukite. Valymo įrenginio niekada netraukite už žarnos. Stumiant, spaudžiant ir traukiant žarną, ji gali pratrūkti arba deformuotis.

PASTABA: Siurbdami dideles atliekas, pavyzdžiui, nuobliuotas drožles, betono dulkes arba kitas panašias nemažas šiukšles, naudokite 38 mm vidinio skersmens žarną (papildoma priedą). Naudojant 28 mm vidinio skersmens žarną (papildomas priedas), ji gali užsikimšti ir sutrūkti.

PASTABA: Visada uždėkite gaubtą ant jungties, kai atjungiate nuo siurblio žarną.

Prijungimas prie valymo įrenginio

Nuimkite gaubtą nuo jungties. Kai prie siurblio prijungta žarna, gaubtą galite laikyti siurblio galinėje dalyje.

▶ **Pav.18:** 1. Gaubtas

Žarnos galą įstatykite į valymo įrenginio dulkių įsiurbimo angą (žarnos įleidimo angą), tada sukite jį pagal laikrodžio rodyklę, kad spragtelėdamas užsifiksuotų.

▶ **Pav.19:** 1. Žarna 2. Dulkių įsiurbimo anga (žarnos įleidimo anga)

Prijungimas prie darbo įrankių (Priklauso nuo šalies)

Vakuuminį valymo įrenginį prijungus prie bet kurio su valymo įrenginiu suderinamo darbo įrankio, jis veiks kaip elektrinių įrankių dulkių trauktuvus.

Pasirinkite vieną iš priekinių antgalių arba jungčių (pasirenkami priedai), geriausiai tinkantį jūsų įrankio modeliui. Antgalius arba jungtį tinkamai įstatykite tarp priekinio valymo įrenginio žarnos galo ir įrankio dulkių trauktuvo.

▶ **Pav.20:** 1. Priekiniai antgaliai arba jungtis 2. Valymo įrenginio žarna 3. Elektrinis įrankis 4. Vakuuminis valymo įrenginys

Valymo įrenginio priedų montavimas ir nuėmimas

⚠️ PERSPĖJIMAS: Pritvirtinę priedą patikrinkite, ar jis patikimai įsitvirtino. Jei priedą pritvirtinsite netinkamai, jis gali nukristi ir sužaloti.

Priedo naudojimas be užrakinimo funkcijos

Pasirenkamas priedas

Įstatykite priedą į valymo įrenginio įsiurbimo angą stumdami ir ranka prisukdami varžtais reikiamoje vietoje. Pasinaudoję pasukite priedą ranka ir traukdami atjunkite nuo įsiurbimo angos.

▶ **Pav.21**

MAKPAC montavimas

Pasirenkamas priedas

⚠️ PERSPĖJIMAS: Nestovėkite ir nesėdėkite ant prietaiso viršaus. Jis gali netikėtai nuvirsti dėl nestabilumo.

⚠️ PERSPĖJIMAS: Kai naudojate sumontavę MAKPAC, būkite atsargūs. Priešingu atveju galite susižeisti arba sugadinti prietaisą.

⚠️ PERSPĖJIMAS: Kai ant prietaiso sumontuotas MAKPAC, nekelkite prietaiso už MAKPAC rankenos.

⚠️ PERSPĖJIMAS: Kai judinate prietaisą su sumontuotu MAKPAC, stumkite ne MAKPAC, o prietaiso korpusą. Stumiant MAKPAC gali lūžti fiksuatoriai ir MAKPAC nukris, tai gali sukelti sužalojimą.

Sujungiamas ir vieną ant kitos tvirtinamas MAKPAC dėžės galima montuoti ant siurblio viršaus. Dėžės būna įvairių dydžių ir tipų pagal jūsų poreikius.

1. Atlenkite fiksatorius ant viršutinio siurblio paviršiaus.

▶ **Pav.22:** 1. Fiksatorius

2. Sumontuokite MAKPAC dėžės ant siurblio viršaus ir užfiksuokite fiksatoriais.

▶ **Pav.23:** 1. Fiksatorius 2. MAKPAC

Maksimalus sumontuotų MAKPAC aukštis ir svoris atitinkamai yra 315 mm ir 20 kg.

▶ **Pav.24**

NAUDOJIMAS

⚠️ ĮSPĖJIMAS: Visada dėvėkite P2 respiratorių.

⚠️ PERSPĖJIMAS: Jei iš prietaiso išteka putų arba skysčio, nedelsdami jį išjunkite. Toliau naudojant tokiomis sąlygomis galimas elektros smūgis arba siurblio gedimas.

BELAIŽIO AKTYVINIMO FUNKCIJA

Pasirenkamas priedas

Ką galima padaryti su belaidžio aktyvinimo funkcija?

Belaidžio aktyvinimo funkcija leidžia dirbti švariai ir patogiai. Pridėtą valymo įrenginį prijungę prie įrankio galite automatiškai jį paleisti jungdami įrankį.

► **Pav.25**

PASTABA: Būtinai vadovaukitės įrankio naudojimo instrukcija, kai naudosite valymo įrenginį su belaidžio aktyvinimo funkcija.

PASTABA: Neardykite ir nekeiskite belaidžio bloko.

PASTABA: Darbo ir sandėliavimo metu visada patikimai uždarykite dangtelį, kad į belaidžio bloko prapjavą nepatektų dulkių.

PASTABA: Per smarkiai nespauskite belaidžio aktyvinimo mygtuko, nespauskite jo aštriu daiktu.

PASTABA: Belaidžiam aktyvinimui reikia „Makita“ įrankių, kuriuose yra belaidis blokas.

PASTABA: Prieš pirmą kartą naudojant belaidžio aktyvinimo funkciją su kiekvienu įrankiu, reikia nustatyti įrankį. Nustatius įrankį, kol tai nebus panaikinta, pakartotinio nustatymo atlikti nereikia.

PASTABA: Prieš registravimą būtinai patikrinkite, ar belaidis blokas tinkamai įkištas.

PASTABA: Vienas belaidis blokas gali užregistruoti iki 10 sąsajų su kitais belaidžiais blokais. Jei viename belaidžiame bloke registruojama daugiau kaip 10 kitų belaidžių blokų, vienas anksčiausiai užregistruotas blokas bus atšauktas automatiškai.

PASTABA: Belaidžio aktyvinimo mygtuko vieta kiekviename įrankyje skiriasi.

PASTABA: Valymo įrenginį taip pat galima paleisti paspaudus maitinimo mygtuką, kai parengties jungiklis nustatytas į „AUTO“.

Tačiau maitinimo mygtukas nesuveiks, kai naudojama belaidžio aktyvinimo funkcija.

Belaidžio bloko įdėjimas

⚠ JSPĖJIMAS: Atidarykite dangtelį tik kai pirmą kartą dedate belaidį bloką. Įdėję jį niekada neatidarinėkite dangtelio.

⚠ PERSPĖJIMAS: Įdėdami belaidį bloką, padėkite valymo įrenginį ant stabilaus plokščio paviršiaus.

PASTABA: Prieš įdėdami belaidį bloką, nuo valymo įrenginio nuvalykite dulkes ir purvą. Patekusios į belaidžio bloko angą, dulės arba purvas gali sukelti gedimą.

PASTABA: Norėdami išvengti gedimo, kurį gali sukelti statinis elektros krūvis, prieš paimdami belaidį bloką palieskite medžiagą, per kurią išeina statinis elektros krūvis, pavyzdžiui, metalinę dalį.

PASTABA: Įdėdami belaidį bloką, visada įsitinkinkite, kad dedate reikiama kryptimi ir kad dangtelis iki galo uždarytas.

1. Atlaisvinkite varžtą, kad atidarytumėte siurblio dangtelį, kaip parodyta paveikslėlyje.

► **Pav.26:** 1. Dangtelis 2. Varžtas

2. Įstatykite belaidį bloką į lizdą.

Įdėdami belaidį bloką, iškyšas sulygiuokite su angos išėmomis.

► **Pav.27:** 1. Belaidis blokas 2. Iškyša 3. Dangtelis 4. Išėma

3. Iki galo priveržkite varžtą, kad uždarytumėte dangtelį.

Įrankio nustatymas valymo įrenginyje

PASTABA: Įrankiui nustatyti reikalingas „Makita“ įrankis, palaikantis belaidžio aktyvinimo funkciją.

PASTABA: Prieš pradėdami nustatyti įrankį, įdėkite į jį belaidį bloką.

PASTABA: Nustatydami įrankį, neturkite gaiduko ir neįjunkite įrankio maitinimo.

PASTABA: Taip pat žr. įrankio naudojimo instrukciją.

Jei norite aktyvinti valymo įrenginį įrankio jungikliu, prieš tai nustatykite įrankį.

1. Atitinkamai įdėkite belaidžius blokus į valymo įrenginį ir įrankį.

2. Įdėkite akumuliatorių į valymo įrenginį ir įrankį.

3. Valymo įrenginio parengties jungiklį nustatykite ties „AUTO“.

► **Pav.28:** 1. Parengties jungiklis

4. 3 sekundes spauskite belaidžio aktyvinimo mygtuką ant valymo įrenginio, kol belaidžio aktyvinimo lemputė ims mirksėti žaliai. Tada tokiu pat būdu paspauskite belaidžio aktyvinimo mygtuką ant įrankio.

► **Pav.29:** 1. Belaidžio aktyvinimo mygtukas 2. Belaidžio aktyvinimo lemputė

Jei valymo įrenginys ir įrankis sėkmingai susieti, belaidžio aktyvinimo lemputės 2 sekundes švies žaliai ir ims mirksėti mėlynai.

PASTABA: Belaidžio aktyvinimo lemputės nustoja mirksėti žaliai po 20 sekundžių. Kai mirksi valymo įrenginio belaidžio aktyvinimo lemputė, paspauskite belaidžio aktyvinimo mygtuką ant įrankio. Jei belaidžio aktyvinimo lemputė nemirksi žaliai, trumpai paspauskite belaidžio aktyvinimo mygtuką ir vėl palaikykite jį nuspaudę.

PASTABA: Jei norite nustatyti du ar daugiau įrankių viename valymo įrenginyje, nustatykite juos po vieną.

Belaidžio aktyvinimo funkcijos paleidimas

PASTABA: Prieš belaidį aktyvinimą nustatykite įrankį valymo įrenginyje.

PASTABA: Visada valymo įrenginį padėkite taip, kad galėtumėte matyti belaidžio aktyvinimo lemputės būseną.

PASTABA: Taip pat žr. įrankio naudojimo instrukciją.

Nustačius įrankį valymo įrenginyje, jis automatiškai įsijungs įjungus įrankį.

1. Atitinkamai įdėkite belaidžius blokus į valymo įrenginį ir įrankį.
 2. Įdėkite akumuliatorius į valymo įrenginį ir įrankį.
 3. Sujunkite valymo įrenginio žarną su įrankiu.
- **Pav.30**

4. Valymo įrenginio parengties jungiklį nustatykite ties „AUTO“.

► **Pav.31:** 1. Parengties jungiklis

5. Trumpai paspauskite belaidžio aktyvinimo mygtuką ant įrankio. Belaidžio aktyvinimo lemputė mirksės mėlynai.

► **Pav.32:** 1. Belaidžio aktyvinimo mygtukas
2. Belaidžio aktyvinimo lemputė

6. Įjunkite įrankį. Patikrinkite, ar su įrankiu kartu veikia ir valymo įrenginys.

⚠ PERSPĖJIMAS: Prieš pradėdami dirbti įrankiu visada patikrinkite, ar veikia belaidžio aktyvinimo funkcija.

Norėdami sustabdyti belaidį aktyvinimą, paspauskite ant įrankio esantį belaidžio aktyvinimo mygtuką arba valymo įrenginio parengties jungiklį nustatykite į „I“ arba „O“ padėtį.

PASTABA: Nenaudojant 2 valandas, belaidžio aktyvinimo lemputė ant įrankio nustos mirksėti mėlynai. Šiuo atveju parengties jungiklį ant valymo įrenginio nustatykite ties „AUTO“ ir vėl paspauskite belaidžio aktyvinimo mygtuką ant įrankio.

PASTABA: Valymo įrenginys ima veikti ir sustoja šiek tiek uždelsęs. Praeina šiek tiek laiko, kol valymo įrenginys nustato, kad buvo panaudotas įrankio jungiklis.

PASTABA: Belaidžio bloko perdavimo atstumas gali skirtis, tai priklauso nuo vietos ir aplinkybių.

PASTABA: Kai viename valymo įrenginyje yra užregistruoti du ar daugiau įrankių, valymo įrenginys gali imti veikti net jei neįjungėte įrankio, nes kitas naudotojas naudoja belaidžio aktyvavimo funkciją.

Įrankio nustatymo valymo įrenginyje atšaukimas

Norėdami atšaukti įrankio nustatymą valymo įrenginyje, atlikite šią procedūrą.

1. Atitinkamai įdėkite belaidžius blokus į valymo įrenginį ir įrankį.

2. Įdėkite akumuliatorius į valymo įrenginį ir įrankį.

3. Valymo įrenginio parengties jungiklį nustatykite ties „AUTO“.

► **Pav.33:** 1. Parengties jungiklis

4. 6 sekundes spauskite belaidžio aktyvinimo mygtuką ant valymo įrenginio. Belaidžio aktyvinimo lemputė mirksi žaliai ir tampa raudona. Paskui tokiu pat būdu paspauskite belaidžio aktyvinimo mygtuką ant įrankio.

► **Pav.34:** 1. Belaidžio aktyvinimo mygtukas
2. Belaidžio aktyvinimo lemputė

Jei atšaukti pavyko, belaidžio aktyvinimo lemputės 2 sekundes švies raudonai ir ims mirksėti mėlynai.

PASTABA: Belaidžio aktyvinimo lemputės nustoja mirksėti raudonai po 20 sekundžių. Kai mirksi valymo įrenginio belaidžio aktyvinimo lemputė, paspauskite belaidžio aktyvinimo mygtuką ant įrankio. Jei belaidžio aktyvinimo lemputė nemirksi raudonai, trumpai paspauskite belaidžio aktyvinimo mygtuką ir vėl palaikykite jį nuspaudę.

Visų įrankio nustatymų trynimas

Visus įrankio nustatymus iš valymo įrenginio galite ištrinti toliau nurodytu būdu.

► **Pav.35:** 1. Parengties jungiklis 2. Belaidžio aktyvinimo mygtukas 3. Belaidžio aktyvinimo lemputė

1. Įdėkite belaidį bloką į valymo įrenginį.

2. Įdėkite akumuliatorius į valymo įrenginį.

3. Parengties jungiklį nustatykite ties „AUTO“.

4. Laikykite belaidžio aktyvinimo mygtuką nuspausta maždaug 6 sekundes, kol belaidžio aktyvinimo lemputė pradės mirksėti raudona spalva (maždaug dukart per sekundę).

5. Belaidžio aktyvinimo lemputei ėmus mirksėti raudona spalva, atleiskite pirštą nuo belaidžio aktyvinimo mygtuko. Tada dar maždaug 6 sekundes palaikykite belaidžio aktyvinimo mygtuką paspausta.

6. Belaidžio aktyvinimo lemputei ėmus mirksėti greitai (maždaug 5 kartus per sekundę), atleiskite pirštą nuo belaidžio aktyvinimo mygtuko. Belaidžio aktyvinimo lemputei pradėjus šviesi raudona spalva ir vėliau išsijungus, visi įrankio nustatymai yra ištrinti.

PASTABA: Jei belaidžio aktyvinimo lemputė nemirksi raudonai, trumpai paspauskite belaidžio aktyvinimo mygtuką ir bandykite dar kartą.

Belaidžio aktyvinimo lemputės būsenos aprašymas

- **Pav.36:** 1. Belaidžio aktyvinimo mygtukas
2. Belaidžio aktyvinimo lemputė

Belaidžio aktyvinimo lemputė rodo belaidžio aktyvinimo funkcijos būseną. Lemputės būsenos reikšmės pateiktos toliau esančioje lentelėje.

Būsena	Belaidžio aktyvinimo lemputė			Aprašymas	
	Spalva	<input type="checkbox"/> Šviečia	<input type="checkbox"/> Mirksi		Trukmė (apytikrė)
Parengtis	Mėlyna	<input checked="" type="checkbox"/>		Valymo įrenginys: tęsiama įrankis: 2 valandos	Laukiama įrankio nustatymo arba belaidžio aktyvinimo funkcija prieinama. Parengties jungiklį nustačius į „AUTO“, mirksi valymo įrenginio lemputė. Ant įrankio esanti lemputė mirksi paspaudus belaidžio aktyvinimo mygtuką. Nenaudojant 2 valandas, įrankio lemputė automatiškai užges.
		<input type="checkbox"/>		Kai įrankis yra naudojamas.	Galimas belaidis valymo įrenginio aktyvinimas ir įrankis yra naudojamas.
Įrankio nustatymas	Žalia	<input checked="" type="checkbox"/>		20 sekundžių	Pasirengęs nustatyti įrankį. Ieškoma įrankio, kurį reikia nustatyti.
		<input type="checkbox"/>		2 sekundės	Įrankis nustatytas. Belaidžio aktyvinimo lemputė ims mirksėti mėlynai.
Įrankio nustatymo atšaukimas / trynimasis	Raudona	<input checked="" type="checkbox"/> (lėtai: 2 k./s)		20 sekundžių	Pasiruošęs atšaukti įrankio nustatymą. Ieškoma įrankio, kurį reikia atšaukti.
		<input checked="" type="checkbox"/> (greitai: 5 k./s)		Nuspaudus belaidžio aktyvinimo mygtuką.	Pasiruošta ištrinti visus įrankio nustatymus.
		<input type="checkbox"/>		2 sekundės	Įrankio nustatymas atšauktas / ištrintas. Belaidžio aktyvinimo lemputė ims mirksėti mėlynai.
Kita	Raudona	<input type="checkbox"/>		3 sekundės	Belaidis blokas yra maitinamas ir ima veikti belaidžio aktyvinimo funkcija.
	Nešviečia	–		–	Parengties jungiklis nenustatytas ties „AUTO“.

Belaidžio aktyvinimo funkcijos trikčių šalinimas

Prieš kreipdamiesi dėl remonto darbų, pirmiausia patikrinkite gedimus patys. Kilus problemų, apie kurias nepaaiškinta vartotojo vadove, nemėginkite ardyti įrankio. Kreipkitės į įgaliotuosius „Makita“ techninės priežiūros centrus, kuriuose remontui visuomet naudojamos originalios „Makita“ keičiamosios dalys.

Neįprasta būklė	Tikėtina priežastis (triktis)	Ištaisomoji priemonė
Belaidžio aktyvinimo lemputė nešviečia arba nemirksi.	Belaidis blokas neįdėtas į valymo įrenginį ir (arba) įrankį. Belaidis blokas netinkamai įdėtas į valymo įrenginį ir (arba) įrankį.	Taisyklingai įdėkite belaidį bloką.
	Belaidžio aktyvinimo mygtukas ant įrankio nebuvo paspaustas.	Trumpai paspauskite belaidžio aktyvinimo mygtuką ant įrankio.
	Valymo įrenginio parengties jungiklis nenustatytas ties „AUTO“.	Valymo įrenginio parengties jungiklį nustatykite ties „AUTO“.
	Nėra maitinimo	Prijunkite įrankio ir valymo įrenginio maitinimą.
Nepavyksta nustatyti įrankio / atšaukti jo nustatymo.	Belaidis blokas neįdėtas į valymo įrenginį ir (arba) įrankį. Belaidis blokas netinkamai įdėtas į valymo įrenginį ir (arba) įrankį.	Taisyklingai įdėkite belaidį bloką.
	Valymo įrenginio parengties jungiklis nenustatytas ties „AUTO“.	Valymo įrenginio parengties jungiklį nustatykite ties „AUTO“.
	Nėra maitinimo	Prijunkite įrankio ir valymo įrenginio maitinimą.
	Netinkamai atlikta procedūra	Trumpai paspauskite belaidžio aktyvinimo mygtuką ir iš naujo atlikite įrankio nustatymo / atšaukimo procedūras.
	Įrankis ir valymo įrenginys yra toli vienas nuo kito (už perdavimo diapazono ribų).	Padėkite įrankį ir valymo įrenginį arčiau vienas kito. Didžiausias perdavimo atstumas yra maždaug 10 m, bet jis gali skirtis pagal aplinkybes.
	Prieš baigiant įrankio registravimą / atšaukimą: - įjungiamas įrankio jungiklis arba - paspaudžiamas valymo įrenginio maitinimo mygtukas.	Trumpai paspauskite belaidžio aktyvinimo mygtuką ir iš naujo atlikite įrankio nustatymo / atšaukimo procedūras.
	Neatliktos įrankio nustatymo procedūros įrankyje arba valymo įrenginyje.	Tuo pačiu metu atlikite įrankio nustatymo procedūras įrankyje ir valymo įrenginyje.
	Kitų prietaisų, generuojančių didelio intensyvumo radijo bangas, keliami radijo bangų trikdžiai.	Patraukite įrankį ir valymo įrenginį toliau nuo tokių prietaisų kaip belaidžio ryšio įrenginiai ir mikrobangų krosnelės.
Valymo įrenginys neveikia įjungus įrankio jungiklį.	Belaidis blokas neįdėtas į valymo įrenginį ir (arba) įrankį. Belaidis blokas netinkamai įdėtas į valymo įrenginį ir (arba) įrankį.	Taisyklingai įdėkite belaidį bloką.
	Belaidžio aktyvinimo mygtukas ant įrankio nebuvo paspaustas.	Trumpai paspauskite belaidžio aktyvinimo mygtuką ir patikrinkite, ar belaidžio aktyvinimo lemputė mirksi mėlynai.
	Valymo įrenginio parengties jungiklis nenustatytas ties „AUTO“.	Valymo įrenginio parengties jungiklį nustatykite ties „AUTO“.
	Valymo įrenginyje yra nustatyta daugiau kaip 10 įrankių.	Iš naujo nustatykite įrankį. Jei valymo įrenginyje nustatyta daugiau kaip 10 įrankių, anksčiausiai nustatytas įrankis bus automatiškai atšauktas.
	Valymo įrenginys ištrynė visus įrankių nustatymus.	Iš naujo nustatykite įrankį.
	Nėra maitinimo	Prijunkite įrankio ir valymo įrenginio maitinimą.
	Įrankis ir valymo įrenginys yra toli vienas nuo kito (už perdavimo diapazono ribų).	Padėkite įrankį ir valymo įrenginį arčiau vienas kito. Didžiausias perdavimo atstumas yra maždaug 10 m, bet jis gali skirtis pagal aplinkybes.
	Kitų prietaisų, generuojančių didelio intensyvumo radijo bangas, keliami radijo bangų trikdžiai.	Patraukite įrankį ir valymo įrenginį toliau nuo tokių prietaisų kaip belaidžio ryšio įrenginiai ir mikrobangų krosnelės.
Valymo įrenginys veikia įrankius neveikiant.	Kiti naudotojai naudoja belaidį valymo įrenginio aktyvinimą su savo įrankiais.	Išjunkite kitų įrankių belaidžio aktyvinimo mygtuką arba atšaukite kitų įrankių nustatymą.

Neįprasta būklė	Tikėtina priežastis (triktis)	Ištaisomoji priemonė
Nepavyko ištrinti visų įrankio nustatymų iš valymo įrenginio.	Paspauskite belaidžio aktyvinimo mygtuką ant įrankio.	Paspauskite belaidį mygtuką ant valymo įrenginio, kad ištrintumėte visus įrankio nustatymus.
	Valymo įrenginio parengties jungiklis nenustatytas ties „AUTO“.	Valymo įrenginio parengties jungiklį nustatykite ties „AUTO“.
	Belaidžio aktyvinimo mygtukas nėra laikomas nuspaustas tinkamai.	Pašalinkite belaidžio aktyvinimo mygtuką nuspausta ilgiau kaip 6 sekundes, tada, belaidžio aktyvinimo lemputei ėmus mirksėti raudona spalva, jį atleiskite. Laikykite belaidžio aktyvinimo mygtuką nuspausta ilgiau kaip 6 sekundes, kol belaidžio aktyvinimo lemputė pradės greitai mirksėti raudona spalva, tada mygtuką atleiskite.

TECHNINĖ PRIEŽIŪRA

⚠️PERSPĖJIMAS: Atlikdami techninę priežiūrą, visada naudokite P2 klasės respiratorių.

⚠️PERSPĖJIMAS: Prieš atlikdami patikrą ir priežiūros darbus, visuomet įsitikinkite, kad prietaisas yra išjungtas ir akumuliatoriaus kasetės išimtos.

⚠️PERSPĖJIMAS: Bent kartą per metus išmokytas asmuo turi atlikti techninę patikrą, įskaitant filtrų, oro sandarumo ir valdymo mechanizmo patikrą.

⚠️PERSPĖJIMAS: Atliekant techninę priežiūrą reikia pašalinti visas užterštas dalis, kurių negalima patenkinamai išvalyti. Tokias dalis reikia šalinti sandariuose maišuose pagal jūsų šalies teisės aktus.

⚠️PERSPĖJIMAS: Po darbo pavojingose zonoje, prietaiso išorę reikia nukenksminti nusiurbiant dulkių siurbliu ir nušluostant arba padengiant sandarikliu, prieš išgabenant prietaisą iš pavojingos zonos. Išgabenus iš pavojingos zonos, visas prietaiso dalis reikia laikyti užterštomis ir reikia imtis atitinkamų priemonių, kad būtų išvengta dulkių pasklidimo.

⚠️PERSPĖJIMAS: Keiskite filtrus, kai jie užsikemša dulkelėmis arba kai manote, kad siurblio veikimas pablogėjo.

⚠️PERSPĖJIMAS: Reguliariai tikrinkite filtrus. Jei filtrai įplyšę, nedelsdami juos pakeiskite.

PASTABA: Niekada nenaudokite gazolino, benzino, tirpiklio, spirito arba panašių medžiagų. Gali atsirasti išblukimų, deformacijų arba įtrūkimų.

Kad gaminys būtų SAUGUS ir PATIKIMAS, jį taisyti, apžiūrėti ar vykdyti bet kokią kitą priežiūrą ar derinimą turi įgaliotasis kompanijos „Makita“ techninės priežiūros centras; reikia naudoti tik kompanijos „Makita“ pagamintą atsarginę dalį.

Filtro bloko išėmimas

⚠️PERSPĖJIMAS: Palaukite apie 5 minutes, kad dulksės bakelyje visiškai nusėstų.

⚠️PERSPĖJIMAS: Būkite atsargūs, kad išimant filtro bloką į bakelio dangtį nepatektų dulkių.

Filtro blokas pritvirtintas prie galvutės bloko. Jį sudaro viršutinė plokštė, priešfiltrai, slopintuvai ir dulkių filtrai.

1. Atleiskite fiksavimo kabliukus ir nukelkite galvutės bloką nuo bakelio.
2. Išimkite filtro bloką iš galvutės bloko, kaip parodyta paveikslėlyje.

► **Pav.37:** 1. Fiksatorius 2. Filtro blokas

Dulkių filtro ir priešfiltrio išėmimas

Pakelkite rankenėlę ir išimkite filtrus iš viršutinės plokštės.

► **Pav.38:** 1. Viršutinė plokštė 2. Filtrai 3. Rankenėlė

Kad dulksės nepakiltų į orą, rekomenduojama išimti filtrus polietiliniame maišelyje.

Nešdami filtro bloką valyti, sandariai užriškite polietilininį maišelį.

► **Pav.39:** 1. Filtro blokas 2. Polietilininis maišelis

► **Pav.40:** 1. Viršutinė plokštė 2. Filtrai 3. Polietilininis maišelis

Dulkių filtro, priešfiltrio ir slopintuvo valymas

Periodiškai valykite filtrus ir slopintuvą. Dėl užsikimšusių filtrų ir slopintuvo siurbimas gali būti silpnas.

Reguliariai išvalykite susikaupusias dulkes iš filtrų ir slopintuvo.

Kartkartėmis išplaukite dulkių filtrą, priešfiltrą ir slopintuvą vandeniu, išskalaukite ir, prieš naudodami, kruopščiai išdžiovinkite pavėsyje. Niekada neplaukite jų skalbyklėje.

► **Pav.41**

PASTABA: Netrinkite arba negrandykite filtro su milteliais, priešfiltrio arba slopintuvo kietais daiktais, pavyzdžiui, šepetiais ar mentelėmis.

PASTABA: Filtrai laikui bėgant susidėvi. Rekomenduojama turėti atsarginių filtrų dalių.

Dulkių filtro ir priešfiltrio įdėjimas

PASTABA: Dulkių filtras ir priešfiltras gali surinkti ir sausas, ir šlapias dulkes. Įsitikinkite, kad vandens lygio jutikliai tinkamai suaktyvinami, kad nebūtų sugadintas dulkių filtras.

Užkabinkite filtro bloko kraštus už viršutinės plokštės, tada nuleiskite rankenėlę.

► **Pav.42:** 1. Kraštas 2. Rankenėlė

PASTABA: Prieš naudodami filtrą su milteliais, įsitikinkite, kad priešfiltras ir slopintuvas visuomet būtų naudojami kartu. Draudžiama montuoti vien filtrą su milteliais.

Filtrų surinkimas

Jei gaunate filtrus atskirai, surinkite juos, kaip parodyta paveikslėlyje.

► **Pav.43:** 1. Dulkių filtras 2. Slopintuvas 3. Priešfiltras

Filtro bloko įdėjimas

Įdėję filtrus į viršutinę plokštę, užkabinkite filtrų bloko skyles už vidinio gaubto U raidės formos dalių. Tada užfiksuokite fiksatorių, kaip parodyta paveikslėlyje.

► **Pav.44:** 1. U raidės formos dalis 2. Skyelė 3. Fiksatorius

Vandens filtro įrengimas

Pasirenkamas priedas

PASTABA: Kai siurbiate šlapias dulkes, įsitikinkite, kad vandens lygio jutikliai tinkamai suaktyvinami.

PASTABA: Nenaudokite priešfiltrio ir slopintuvo, kai naudojate vandens filtrą.

Norint siurbti tik vandenį arba šlapias dulkes, vandens filtras tinka geriau nei dulkių filtras ir priešfiltras. Kai dedate vandens filtrą, įstatykite jį į viršutinę plokštę taip pat, kaip dulkių filtrą ir priešfiltrą.

► **Pav.45**

PASTABA: Rekomenduojama naudoti vandens filtrą, jei dažnai siurbiate didelius kiekius vandens. Priešingu atveju, jei naudojamas dulkių filtras ir priešfiltras, siurbimo galia gali sumažėti.

Vandens lygio jutiklių valymas

Vandens lygio jutikliai aptinka skystį, kai bakelis prisipildo skysčio. Keisdami filtrus kartkartėmis nuvalykite vandens lygio jutiklius minkšta šluoste.

► **Pav.46:** 1. Vandens lygio jutiklis

Priedų saugojimas

Nenaudojamus priedus ir aksesuarus, pvz., antgalius, vamzdžius ir gaubtus, galima laikyti pakabintus ant kabliuko siurblio gale.

► **Pav.47:** 1. Nenaudojami priedai ir aksesuarai 2. Gaubtas

Prietaiso trumpą laiką nenaudojant, vamzdžius (su sumontuotu pasirenkamu stabdikliu) galima dėti į vamzdžių laikiklį.

► **Pav.48:** 1. Stabdiklis (pasirenkamas priedas) 2. Vamzdžių laikiklis

Žarną galima apvynioti ir laikyti apvyniotą aplink valymo įrenginio korpusą arba rankeną didelėmis kilpomis.

Sujunkite abu galus suformuodami kilpas, o pastarąsias užkabinkite už pakeltos rankenos. Arba pagrindo galą laikykite įdėtą į žarnos įleidimo angą, kilpas užkabinkite už universalaus kablo, o laisvą galą pririškite.

► **Pav.49**

► **Pav.50**

PASIRENKAMI PRIEDAI

⚠️ PERSPĖJIMAS: Šiuos papildomus priedus arba įtaisus rekomenduojama naudoti su šioje instrukcijoje nurodytu „Makita“ bendrovės įrankiu. Naudojant bet kokius kitus papildomus priedus arba įtaisus, gali kilti pavojus sužeisti žmones. Naudokite tik nurodytam tikslui skirtus papildomus priedus arba įtaisus.

Jeigu norite daugiau sužinoti apie tuos priedus, kreipkitės į artimiausią „Makita“ techninės priežiūros centrą.

- Žarna
- Priekiniai antgaliai (22, 24, 38)
- Tiesus vamzdis
- Kampinis antgalis
- Apvalus šepetėlis
- Dulkių filtras M, H (HEPA)
- Slopintuvas
- Priešfiltras
- Vandens filtras
- Antgalių kompleksas
- Lenktas vamzdis
- Polietileninis maišelis
- Filtro maišelis
- Gaubtas
- Originalus „Makita“ akumuliatorius ir įkroviklis
- Belaidis blokas
- MAKPAC

PASTABA: Kai kurie sąraše esantys priedai gali būti pateikti įrankio pakuotėje kaip standartiniai priedai. Jie įvairiose šalyse gali skirtis.

HOIATUS

- Seade ei ole ette nähtud kasutamiseks füüsiliste, sensoorsete või vaimsete puuetega isikutele (k.a lapsed) ega isikutele, kellel puuduvad kogemused ja teadmised seadme ohutuks kasutamiseks.
- Lapsi tuleb jälgida, et nad puhastajaga ei mängiks.
- Seadmes kasutatava aku tüübi leiate peatükist „TEHNILISED ANDMED”.
- Aku paigaldamise või eemaldamise juhised leiate jaotisest „Akukasseti paigaldamine või eemaldamine”.
- Kasutuskõlbatuks muutunud akukasseti kõrvaldamiseks eemaldage see tööriistast ja viige selleks ette nähtud kohta. Järgige kasutuskõlbatuks muutunud aku kõrvaldamisel kohalikke eeskirju.
- Kui tööriista ei kasutata pika ajaperioodi jooksul, tuleb aku tööriistast eemaldada.
- Ärge tekitage akukassetis lühist.
- Üksikasjalikku teavet hooldamise ajal järgitavate ettevaatusabinõude kohta leiate peatükist „HOOLDAMINE”.

TEHNILISED ANDMED

Mudel:		VC006GM
Maksimaalne õhukogus vooliku lõpus	Akukassetiga BL4050F, ø28 mm x3,5 m voolik	2,0 m ³ /min
	Akukassetiga BL4050F, ø38 mm x2,5 m voolik	3,7 m ³ /min
Maksimaalne õhukogus turbiini juures (akukassetiga BL4050F)		4,9 m ³ /min
Tolmuimemine (akukassetiga BL4050F)		18 kPa
Taastemaht	Tolm	40 l
	Vesi	30 l
Mõõtmed (P x L x K)		586 mm x 385 mm x 598 mm
Nimipinge		Alalisvool 72 V – 80 V max
Netokaal		18,4–20,8 kg
Kaitseaste		IPX4

- Meie pideva uuringu- ja arendusprogrammi tõttu võidakse tehnilisi andmeid muuta ilma sellest ette teatamata.
- Tehnilised andmed võivad riigiti erineda.
- Kaal ei sisalda muid tarvikuid peale akukasseti (-kassetide). Tabelis on näidatud seadme ja akukasseti (-kassetide) kergeima ja raskeima kombinatsiooni kaalu.

Sobiv akukassett ja laadija

Akukassett	BL4020 / BL4025 / BL4040* / BL4050F* / BL4080F* *: Soovituslik aku
Laadija	DC40RA / DC40RB / DC40RC

- Mõned eespool loetletud akukassetid ja -laadijad ei pruugi olla teie riigis saadaval.

⚠ HOIATUS: Kasutage ainult ülalpool loetletud akukassette ja laadureid. Muude akukassetide ja laadurite kasutamine võib tekitada vigastusi ja/või tulekahju.

Sümbolid

Alljärgnevalt kirjeldatakse tingimärke, mida võidakse seadmetel kasutada. Enne seadme kasutamist tehke endale selgeks nende tähendus.



Lugege juhendit.



Olge äärmiselt ettevaatlik ja tähelepanelik.



Hoiatus! Tolmuimeja võib sisaldada ohtlikku tolmu.



Ärge kunagi seiske tolmuimeja peal.



Ärge pange tolmuimejale suuremat raskust kui 20 kg (44 lbs).



Tolmuklass M (keskmine): tolmu eraldamiseks töökohal kokkupuute piirväärtusega vähemalt 0,1 mg/m³. Tolmuimejad suudavad imeda imeda kuni L- ja M-klassi tolmu. Järgige oma riigis kehtivaid eeskirju tolmu, tööturvisehoiu ja tööohutuse kohta.



Ni-MH
Li-Ion

Ainult EL-i riikide puhul
Seadmes sisalduvate ohtlike osade tõttu võivad elektri- ja elektroonikaseadmete jäätmel, akud ja patareid avaldada negatiivset mõju keskkonnale ja inimeste tervisele.
Elektri- ja elektroonikaseadmeid ega akusid ei tohi kõrvaldada koos olmejäätmetega!
Euroopa elektri- ja elektroonikaseadmete jäätmel, akude ja patareide ning nende jäätmel direktiivi ja riiklikku õigusesse ülevõtmise kohaselt tuleb elektri- ja elektroonikaseadmete, akude ja patareide jäätmel koguda eraldi ning viia eraldiseisvasse olmejäätmete kogumispunkti, mis tegutseb kooskõlas keskkonnakaitse eeskirjadega. Sellele osutab seadmele paigaldatud läbikriipsutatud ratastega prügikasti sümbol.

Kavandatud kasutus

Seade on ette nähtud nii märja kui ka kuiva tolmu kogumiseks. Seade sobib teenuste osutamiseks nt hotellides, koolides, haiglates, tehastes, kauplustes, kontorites ja rendipindadel.

Müra

Tüüpiline A-korrigeeritud müratase, määratud standardi EN60335-2-69 kohaselt:

Helirõhutase (L_{PA}): 70 dB (A) või vähem

Määramatus (K): 2,5 dB (A)

Töötamisel võib müratase ületada 80 dB (A).

MÄRKUS: Deklareeritud müra väärtust (väärtuseid) on mõõdetud kooskõlas standardse katsemeetodiga ning seda võib kasutada ühe seadme võrdlemiseks teisega.

MÄRKUS: Deklareeritud müra väärtust (väärtuseid) võib kasutada ka mürataseme esmaseks hindamiseks.

⚠️ HOIATUS: Kasutage kõrvakaitsmeid.

⚠️ HOIATUS: Müratase võib elektritööriista tegelikkuses kasutamise ajal erineda deklareeritud väärtus(t)est olenevalt tööriista kasutusviisidest ja eriti töödeldavast toorikust.

⚠️ HOIATUS: Rakendage operaatori kaitsmiseks kindlasti piisavaid ohutusabinõusid, mis põhinevad hinnangulisel müratasemel tegelikus tööolukorras (võttes arvesse tööperioodi kõiki osasid, näiteks korrad, kui seade lülitatakse välja ja seade töötab tühikäigul, lisaks tööajale).

Vibratsioon

Vibratsiooni koguväärtus (kolmeteljeliste vektorite summa) määratud standardi EN60335-2-69 kohaselt: Vibratsioon (a_{h,M}): 2,5 m/s² või vähem
Määramatus (K): 1,5 m/s²

MÄRKUS: Deklareeritud vibratsiooni koguväärtust (-väärtuseid) on mõõdetud kooskõlas standardse katsemeetodiga ning seda võib kasutada ühe seadme võrdlemiseks teisega.

MÄRKUS: Deklareeritud vibratsiooni koguväärtust (-väärtuseid) võib kasutada ka mürataseme esmaseks hindamiseks.

⚠️ HOIATUS: Vibratsioonitase võib elektritööriista tegelikkuses kasutamise ajal erineda deklareeritud väärtus(t)est olenevalt tööriista kasutusviisidest ja eriti töödeldavast toorikust.

⚠️ HOIATUS: Rakendage operaatori kaitsmiseks kindlasti piisavaid ohutusabinõusid, mis põhinevad hinnangulisel müratasemel tegelikus tööolukorras (võttes arvesse tööperioodi kõiki osasid, näiteks korrad, kui seade lülitatakse välja ja seade töötab tühikäigul, lisaks tööajale).

EÜ vastavusdeklaratsioon

Ainult Euroopa riikide puhul

EÜ vastavusdeklaratsioon sisaldub käesoleva juhendi Lisas A.

OHUTUSHOIATUS

Juhtmeta tolmuimeja ohutusnõuded

⚠️ HOIATUS: ÄÄRMISELT OLULINE ON ENNE KASUTAMIST lugeda tähelepanelikult läbi kõik ohutushoiatused ja juhised. Hoiatuste ja juhtnõude mittejärgmine võib põhjustada elektrišokki, tulekahju ja/või tõsiseid vigastusi.

1. Kõik tolmuimejaga töötavad isikud peavad saama enne seadme kasutamist piisava väljaõppe.
2. Enne kasutamist tuleb kasutajatele jagada teavet, juhiseid ja koolitusi masina kasutamise ja ainetelise kohta, milleks masinat kasutama hakatakse, sh kogutud materjali ohutu eemaldamise ja utiliseerimise kohta.

3. Kui eraldub vahtu/vedelikku, lülitage seade viivitamatult välja.
4. Puhastage regulaarselt veetaseme reguleerimiseseadet ja kontrollige, et sellel ei oleks kahjustusi.
5. Enne kasutamist veenduge alati, et filtrid oleks õigesti paigaldatud. Ärge kasutage seadet filtriteta. Vahetage kahjustunud filter kohe välja. Soovitatav on hoida käepärast varufiltreid, sest filtrid on kulutarvikud.
6. **VÄLTIGE ETTEKAVATSEMATUT KÄIVITAMIST.** Aku(de) ühendamise eel veenduge, et tolmuimeja lüliti oleks **VÄLJALÜLITATUD** asendis.
7. Ärge püüdke imeda kergesti süttivaid materjale, ilutulestikku, põlevaid sigarette, kuuma tuhka, kuumi metallilaaste ja teravaid materjale, nagu žiletid, nõelad, purunenud klaas vms.
8. **ÄRGE KASUTAGE TOLMUIMEJAT BENSIINI, GAASI, VÄRVI VÕI TEISTE PLAHVATUSOHTLIKE AINETE LÄHEDUSES.** Lüliti keeramisel **SISSE** või **VÄLJA** tõkevad sädemed. Ka mootori kommutaator eraldab töötamise ajal sädemeid. Selle tagajärjel võib tekkida ohtlik plahvatus.
9. Ärge kunagi imege tolmuimejasse mürgiseid, kantserogeenseid, süttivaid ega muid tervisele ohtlikke aineid (nt asbest, arseen, baarium, berüllium, plii, pestitsiidid jms).
10. Paigutage tolmuimeja alati horisontaalsele tasasele pinnale, et vältida selle ümberkukkumist või tahtmatut liikumist.
11. Ärge kunagi kasutage tolmuimeajat õues vihma käes.
12. Soomes ei tohi masinat madala temperatuuri korral õues kasutada.
13. Ärge kasutage soojusallikate (ahjud jms) läheduses.
14. Kui heitõhku väljutatakse siseruumis, on ruumis vaja tagada piisav õhuvahetuse kiirus. Vajaduse korral järgige riiklike eeskirju.
15. Ärge tõkestage imi-/väljalaske-/jahutusavasid. Jahutusavade kaudu jahutatakse mootorit. Jälgige hoolikalt, et avad ei oleks tõkestatud, sest muidu võib mootor ventilatsiooni puudumise tõttu läbi põleda.
16. Hoidke jalad kogu aeg kindlalt maas ja hoidke tasakaalu.
17. Ärge murdke voolikut kokku ega tirige seda.
18. Seisake tolmuimeja kohe, kui märkate seadme jõudluse vähenemist või muid tõrkeid.
19. **EEMALDAGE AKU(D).** Tolmuimeja tuleb vooluallikast eemaldada, kui seda ei kasutata, ning enne hooldamist ja tarvikute vahetamist.
20. Puhastage ja hooldage tolmuimeajat kohe pärast igat kasutust, et seade oleks alati laitmatu töökorras.
21. **HOOLITSEGE OMA TOLMUIMEJA EEST.** Hoidke tolmuimeajat puhtana, et tagada parem ja ohutum töötamine. Järgige tarvikute vahetamise juhtnõure. Hoidke käed kuivad, puhtad ning õli- ja rasvavabad.
22. **KONTROLLIGE KAHJUSTUNUD KOMPONENTE.** Enne tolmuimeja edasist kasutamist tuleb hoolikalt kontrollida kahjustatud kaitsset või muud seadme osa, et teha kindlaks, kas see töötab edaspidi nõuetekohaselt ja täidab oma otstarvet. Kontrollige liikuvate osade tsentreeringut, liikuvate osade kokkujooksu, purunenud osi, osade paigaldust ja muid tingimusi, mis võivad mõjutada tolmuimeja funktsioneerimist. Kahjustatud kaitsve või seadme muu osa tuleb nõuetekohaselt parandada või vahetada välja volitatud teeninduskeskuses, kui kasutusjuhendis ei ole soovitatud teisiti. Laske defektsed lülidid vahetada välja volitatud teeninduskeskuses. Ärge kasutage tolmuimeajat, kui selle lüliti ei lülita seadet sisse ega välja.
23. Hoolduse käigus tuleb masinat lahti võtta, puhastada ja hooldada niipalju, kui see on mõistlikult võimalik, ning ilma hooldustöötajaid ja teisi ohustama.
24. Tootja või instrueeritud isik peab tegema masinale vähemalt kord aastas tehnilise ülevaatuse, mis koosneb näiteks filtrite kontrollimisest kahjustuste suhtes, masina õhutiheduse kontrollimisest ja juhtmehhanismi õige töötamise kontrollimisest.
25. Seadet hooldades või parandades tuleb kõik saastunud esemed, mida ei ole võimalik rahuldavalt puhastada, utiliseerida. Sellised osad tuleb utiliseerimiseks panna kehtivatele nõuetele vastavatesse lekkekindlatesse kottidesse.
26. **VARUOSAD.** Kasutage osade väljavahetamiseks ainult originaalvaruosi.
27. **TOLMUIMEJA HOIUNDAMINE.** Kui tolmuimeajat ei kasutata, tuleb seda hoiundada sisetingimustes.
28. Märkfiltрид ja vedelikumahuti siseosa tuleb enne hoiustamist ära kuivatada.
29. Käsitsege oma tolmuimeajat hoolikalt. Jõuline käsitsemine võib põhjustada isegi kõige tugevama konstruktsiooniga tolmuimeja purunemise.
30. Ärge puhastage tolmuimeja sisemust ega pealispinda bensiini, lahusti või keemiliste puhastusvahenditega. See võib põhjustada pragude tekkimist ning värvuse luitumist.
31. Ärge kasutage tolmuimeajat kinnises ruumis, kus võib esineda õlipõhisest värvist, värvivedelidest, bensiinist, teatud kaitsevahenditest jms ainetest tingitud tule- või plahvatusohtlikke või mürgiseid aursid, ega piirkondades, kus on kergesti süttivat tolmu.
32. Ärge kasutage seda ega ühtki teist seadet, kui olete ravimite või alkoholi mõju all.
33. Järgige ohutuse põhinõuet ja kasutage küljekaitsemega kaitseprille.
34. Tolmuste töötingimuste korral kandke tolumumaski.
35. Seade ei ole ette nähtud kasutamiseks füüsiliste, sensoorsete või vaimsete puuetega isikutele (k.a lapsed) ega isikutele, kellel puuduvad kogemused ja teadmised seadme ohutuks kasutamiseks.

36. Lapsi tuleb jälgida, et nad puhastajaga ei mängiks.
37. Ärge kunagi käsitsege akut (akusid) ega tolmuimejat märgade kätega.
38. Treppide puhastamisel olge äärmiselt ettevaatlik.
39. Ärge kasutage tolmuimejat toolina ega pingina. Masin võib ümber kukkuda ning tekitada kehavigastusi.

Akuga tööriista kasutamine ja hooldus

1. Laadige alati laadijaga, mille tootja on heaks kiitnud. Laadija, mis sobib kasutamiseks ühte tüüpi akuga, võib kaasa tuua tulekahjuhuu, kui seda kasutada koos mõnda teist tüüpi akuga.
2. Kasutage elektritööriistu üksnes spetsiaalselt neile toodetud akudega. Mis tahes muude akude kasutamine võib tekitada tervisekahjustusi või tulekahjuhuu.
3. Kui akut ei kasutata, ärge hoidke seda koos muude metallesemetega, nagu kirjaklambrid, mündid, võtmed, naelad, kruvid jm väiksed metallesemed, mis võivad tekitada ühenduse klemmide vahel. Akuklemmide lühis võib põhjustada põletusi ja tulekahjuhuu.
4. Väärkasutamise tagajärjel võib akust valguda välja vedelikku; ärge seda puudutage. Kui olete selle vedelikuga siiski kogemata kokku puutunud, uhtke kohta veega. Kui vedelik on sattunud silma, minge arsti juurde. Akust väljavalgunud vedelik võib põhjustada ärritust ja põletusi.
5. Ärge kasutage akupaketti ega tööriista, mis on kahjustatud või muudetud. Kahjustatud või muudetud akud võivad käituda etteaimamatult, põhjustades süttimis-, plahvatus- või vigastusohu.
6. Kaitske akupaketti ja tööriista tule ja kõrge temperatuuri eest. Tule või kõrgema kui 130 °C temperatuuriga kokkupuutumine võib tuua kaasa plahvatuse.
7. Pidage kinni kõigist laadimisjuhistest ja ärge laadige akupaketti ega tööriista väljaspool juhendis märgitud temperatuurivahemikku. Valesi või väljaspool märgitud temperatuurivahemikku laadimine võib kahjustada akupaketti ja suurendada süttimisohu.

HOIDKE JUHEND ALLES.

⚠️HOIATUS: ÄRGE UNUSTAGE järgida toote ohutusnõudeid mugavuse või toote (korduskasutamisega saavutatud) hea tundmise tõttu. **VALE KASUTUS** või kasutusjuhendi ohutuseeskirjade eiramine võib põhjustada tervisekahjustusi.

Akukassetiga seotud olulised ohutusjuhised

1. Enne akukassetti kasutamist lugege (1) akulaadijal, (2) akul ja (3) seadmel olevad juhtnöörid ja hoiatused läbi.
2. Ärge võtke akukassetti lahti ega muutke seda. See võib põhjustada tulekahju, liigset kuumust või plahvatuse.

3. Kui tööaeg järsult lüheneb, siis lõpetage kohe kasutamine. Edasise kasutamise tulemuseks võib olla ülekuumenemisoht, võimalikud põletused või isegi plahvatus.
4. Kui elektrolüüti satub silma, siis loputage silma puhta veega ja pöörduge koheselt arsti poole. Selline õnnetus võib põhjustada pimedaksjäämist.
5. Ärge tekitage akukassetis lühist:
 - (1) Ärge puutuge klemme elektrijuhtidega.
 - (2) Ärge hoidke akukassetti tööriistakastis koos metallesemetega, nagu naelad, mündid jne.
 - (3) Ärge tehke akukassetti märjaks ega jätke seda vihma kätte.

Aku lühis võib põhjustada tugevat elektrivoolu, ülekuumenemist, põletusi ning ka seadet tõsiselt kahjustada.

6. Ärge hoidke ega kasutage tööriista ja akukassetti kohtades, kus temperatuur võib tõusta üle 50 °C (122 °F).
7. Ärge põletage akukassetti isegi siis, kui see on saanud tõsiselt vigastada või on täiesti kulu- nud. Akukassett võib tules plahvatada.
8. Ärge naelutage, löigake, muljuge, visake akukassetti ega laske sel kukkuda, samuti ärge lööge selle pihta kõva esemega. Selline tegevus võib põhjustada tulekahju, liigset kuumust või plahvatuse.
9. Ärge kasutage kahjustatud akut.
10. Sisalduvatele liitium-ioonakudele võivad kohalduda ohtlike kaupade õigusaktide nõuded. Kaubanduslikul transportimisel, näiteks kolmandate poolte või transpordiettevõtete poolt, tuleb järgida pakendil ja siltidel toodud erinõudeid. Transportimiseks ettevalmistamisel on vajalik pidada nõu ohtliku materjali ekspordiga. Samuti tuleb järgida võimalike riiklike regulatsioonide üksikasjalikumaid nõudeid. Katke teibiga või varjake avatud kontaktid ja pakendage aku selliselt, et see ei saaks pakendis liikuda.

11. Kasutuskõlbmatuks muutunud akukassetti kõrvaldamiseks eemaldage see tööriistast ja viige selleks ette nähtud kohta. Järgige kasutuskõlbmatuks muutunud aku kõrvaldamisel kohalikke eeskirju.
12. Kasutage akusid ainult Makita heaks kiidetud toodetega. Akude paigaldamine selleks mitte ettenähtud toodetele võib põhjustada süttimist, ülemäärast kuumust, plahvatamist või elektrolüüdi lekkimist.
13. Kui tööriista ei kasutata pika ajaperioodi jooksul, tuleb aku tööriistast eemaldada.
14. Kasutamise ajal ja pärast kasutamist võib akukassett kuumeneda, mis võib põhjustada põletusi või madala temperatuuri põletusi. Olge kuuma akukassetti kandmisel ettevaatlik.
15. Ärge puudutage tööriista klemmi kohe pärast kasutamist, sest see võib olla kuum ja põhjustada põletusi.

16. Hoidke akukasetti klemmid, avad ja sooned tükikestest, tolmust ja mullast puhtad. See võib põhjustada tööriista või aku ülekuumenemist, süttimist, purunemist ja talitlushäireid, mis võib lõppeda põletuste või kehavigastustega.
17. Kui tööriist ei kannata kasutamist kõrgepingeliinide lähedal, ärge kasutage akukasetti kõrgepingeliinide lähedal. Muidu võib tööriist või akukasetti puruneda või sellel tõrge tekkida.
18. Hoidke akut lastele kättesaamatult.

HOIDKE JUHEND ALLES.

⚠ETTEVAATUST: Kasutage ainult Makita originaalakusid. Mitte Makita originaalakude või muudetud akude kasutamine võib põhjustada akude süttimise, kehavigastuse ja kahjustuse. Samuti muudab see kehtetuks Makita tööriista ja laadija Makita garantii.

Vihjeid aku maksimaalse kasutusaja tagamise kohta

1. Laadige akukasetti enne selle täielikku tühjenemist. Kui märkate, et tööriist töötab väiksema võimsusega, peatage töö ja laadige akukasetti.
2. Ärge laadige täielikult laetud akukasetti. Ülelaadimine lühendab akude kasutusiga.
3. Laadige akukasetti toatemperatuuril 10 °C - 40 °C. Enne laadimist laske kuunenud akukasetil maha jahtuda.
4. Kui te ei kasuta parajasti akukasetti, eemaldage see tööriistast või laadurist.
5. Kui te ei kasuta akukasetti kauem kui kuus kuud, laadige see.

Juhtmeta seadmega seotud olulised ohutusjuhised

1. Ärge avage juhtmeta seadme paigaldamisel pesa katet ise.
2. Ärge võtke juhtmeta seadet lahti ega muutke seda omavoliliselt.
3. Hoidke juhtmeta seadet lastele kättesaamatus kohas. Kogemata allaneelamise korral pöörduge kohe arsti poole.
4. Kasutage juhtmeta seadet ainult koos Makita tööriistadega.
5. Ärge jätke juhtmeta seadet vihma kätte ega märga keskkonda.
6. Ärge kasutage juhtmeta seadet kohtades, kus temperatuur on üle 50 °C.
7. Ärge kasutage juhtmeta seadet kohtades, kus leidub meditsiinilisi seadmeid, nagu südamestimulaatorid.
8. Ärge kasutage juhtmeta seadet kohtades, kus leidub automatiseeritud seadmeid. Muidu võib automatiseeritud seadmetel esineda talitlushäireid või need võivad minna rikki.
9. Ärge töötage juhtmeta seadmega kohtades, kus on kõrge temperatuur ja kus võib esineda staatilist elektrit või elektrilist müra.
10. Juhtmeta seadmed võivad tekitada elektromagnetvälju (EMV), mis ei ole kasutajale kahjulikud.
11. Juhtmeta seade on täppiseade. Olge ettevaatlik, ärge laske juhtmevabal seadmel maha kukkuda ja vältige lööke.
12. Ärge puudutage juhtmeta seadme klemmi paljaste käte või metalliesemetega.
13. Juhtmeta seadme tööriista sisse paigaldamisel eemaldage tootest alati aku.
14. Ärge avage pesa katet kohas, kus tolm või vesi võivad pesasse sattuda. Hoidke pesa siselaskeava alati puhtana.
15. Sisestage juhtmeta seade alati õiges suunas.
16. Ärge vajutage juhtmeta seadme juhtmeta aktiveerimise nupule liiga tugevalt ja/või ärge tehke seda teravate servadega esemega.
17. Sulgege pesa kaas alati pärast kasutamist.
18. Ärge eemaldage juhtmeta seadet pesast ajal, kui tööriista varustatakse toitega. Selle juhise järgimata jätmine võib tekitada juhtmeta seadme talitlushäireid.
19. Ärge eemaldage juhtmevabalt seadmelt kleebist.
20. Ärge pange juhtmevabale seadmele mingeid kleebiseid.
21. Ärge jätke juhtmeta seadet kohta, kus võib esineda staatilist elektrit või elektrilist müra.
22. Ärge jätke juhtmeta seadet kohta, kus on väga kuum, nt päikese kätte seisvasse atosse.
23. Ärge jätke juhtmeta seadet tolmusesse või pulbrilisse kohta või kohta, kus võib esineda söövitavaid gaase.
24. Äkiline temperatuuri muutumine võib tekitada juhtmeta seadme pinnale niiskuskihhi. Ärge kasutage juhtmeta seadet enne, kui kogunenud niiskus on täielikult ära kuivanud.
25. Juhtmeta seadme puhastamisel pühkige seda õrnalt pehme lapiga. Ärge kasutage benssiini, lahusteid, juhtivaid määrdeid vms.
26. Juhtmeta seadme hoiustamisel hoidke seda komplekti kuulvas karbis või staatikavabas konteineris.
27. Ärge sisestage tööriista pesasse muid seadmeid kui Makita juhtmeta seade.
28. Ärge kasutage tööriista, kui pesa kaas on kahjustunud. Pessa sattuvad vesi, tolm või mustus võivad põhjustada talitlushäireid.
29. Ärge tõmmake ega väänake pesa katet rohkem kui vajalik. Kui tööriistalt tuleb kaas ära, siis pange see oma kohale tagasi.
30. Asendage pesa kaas, kui see on läinud kaduma või kahjustunud.

HOIDKE JUHEND ALLES.

FUNKSIONAALNE KIRJELDUS

⚠ETTEVAATUST: Kandke alati hoolt selle eest, et seade oleks enne reguleerimist ja kontrollimist välja lülitatud ning akukassetid eemaldatud.

Akukasseti paigaldamine või eemaldamine

⚠ETTEVAATUST: Lülitage tööriist alati enne akukasseti paigaldamist või eemaldamist välja.

⚠ETTEVAATUST: Hoidke tolmuimejat ja akukassetti kindlalt käes, kui paigaldate või eemaldate akukassetti. Kui eirata nõuet tolmuimeja ja akukasseti hoidmise kohta, võivad need käest libiseda ja maha kukkudes puruneda ning põhjustada kehavigastusi.

⚠ETTEVAATUST: Olge akukatte avamisel ja sulgemisel ettevaatlik, et mitte sõrmi vahele jätta. Selle eiramise tagajärjeks võib olla kehavigastus.

Akukasseti paigaldamiseks vabastage esmalt lukk ja seejärel avage akukate. Nüüd sisestage akukassett.

► **Joon.1:** 1. Lukk 2. Akukate

Joondage akukasseti oleval keel korpusel oleva sooniga ja libistage kassett oma kohale. Sisestage see tervenisti, et see lukustuks klõpsatusega oma kohale. Seejärel lukustage akukate.

► **Joon.2:** 1. Akukassett 2. Nupp

Akukasseti eemaldamiseks libistage see tolmuimejast välja, vajutades kasseti esiküljel paiknevat nuppu alla.

⚠ETTEVAATUST: Paigaldage akukassett alati täielikult. Muidu võib see tolmuimejast kogemata välja kukkuda ning teid ennast või teie läheduses olijaid vigastada.

⚠ETTEVAATUST: Ärge rakendage akukasseti paigaldamisel jõudu. Kui kassett ei lähe kergesti sisse, pole see õigesti paigaldatud.

MÄRKUS: Tolmuimeja ei tööta ainult ühe akukassetiga.

Aku jääkmahutavuse näit

Akukasseti järelejäänud mahutavuse kontrollimiseks vajutage kontrollimise nuppu. Märgulambid süttivad mõneks sekundiks.

► **Joon.3:** 1. Märgulambid 2. Kontrollimise nupp

Märgulambid			Jääkmahutavus
Pöleb	Ei põle	Vilgub	
			75 - 100%
			50 - 75%
			25 - 50%
			0 - 25%
			Laadige akut.
			Akul võib olla tõrge.

MÄRKUS: Näidatud mahutavus võib veidi erineda tegelikust mahutavusest olenevalt kasutustingimustest ja ümbritseva keskkonna temperatuurist.

MÄRKUS: Esimene (taga vasakul asuv) märgutuli vilgub, kui akukaitsesüsteem töötab.

Akunäidikud juhtpaneelil

Aku järelejäänud mahtu saab juhtpaneelilt igal ajal vaadata. Vajutage kontrollimise nuppu ning vasakule ja paremale näidikule kuvatakse vastav aku laetuse tase.

► **Joon.4:** 1. Vasakpoolne akunäidik 2. Parempoolne akunäidik 3. Kontrollimise nupp

► **Joon.5**

Akunäidiku olek			Aku jääkmahutavus
Pöleb	Ei põle	Vilgub	
			50% kuni 100%
			20% kuni 50%
			0% kuni 20%
			Laadige akut
			Aku pole sisestatud

MÄRKUS: Akunäidik töötab, kui sisestatud on kaks akut.

MÄRKUS: Akunäidikud aktiveeritakse ka siis, kui tolmuimeja tööle hakkab.

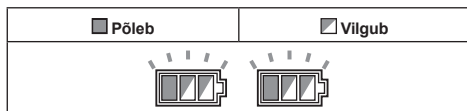
Seadme/aku kaitsesüsteem

Seadmel on seadme/aku kaitsesüsteem. Süsteem lülitab mootori automaatselt välja, et pikendada seadme ja aku tööiga. Seade seiskub käitamise ajal automaatselt, kui seadme või aku kohta kehtib üks järgmistest tingimustest.

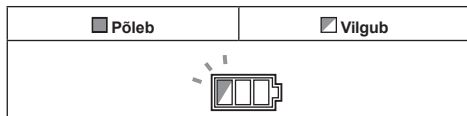
Ülekoormuskaitse

Kui seade/aku hakkab kasutamise käigus tarbima ebanormaalset palju voolu, seiskub tööriist automaatselt. Sel juhul lülitage seade välja ja lõpetage seadme ülekoormuse põhjustanud töö. Pärast seda käivitage seade uuesti.

Ülekuumenemiskaitse



Kui seade on üle kuunenud, jääb see automaatselt seisma ning nii vasak kui ka parem akunäidik hakkavad vilkuma. Sellisel juhul laske seadmel enne uuesti sisselülitamist maha jahtuda ja puhastage filtrid.



Kui aku on ülekuunenud, peatub seade automaatselt ja üks ülekuunenud aku märgutuledest vilgub. Sel juhul laske akul enne uuesti sisselülitamist maha jahtuda.

Ülelaadimiskaitse

Kui aku jääkmahutavus on väike, siis seiskub seade automaatselt. Kui seade ei hakka lülitite kasutamisel tööle, eemaldage akud ja laadige neid.

Kaitse muude põhjuste korral

Kaitsesüsteem on mõeldud ka muude põhjuste jaoks, mis võivad seadet kahjustada, ja võimaldab seadmel automaatselt seiskuda. Kui seade on ajutiselt peatatud või seiskunud, toimige põhjuste kõrvaldamiseks järgnevalt.

1. Lülitage seade välja ja seejärel taaskäivitamiseks uuesti sisse.
2. Laadige akut (akusid) või asendage aku (akud).
3. Laske seadmel ja akul (akudel) jahtuda.

Kui kaitsesüsteemi taastamisega ei õnnestu olukorda parandada, võtke ühendust kohaliku Makita hoolduskeskusega.

Lüliti funktsioneerimine

Seadme sisselülitamine

1. Ooterežiimi seadmiseks pöörake ooterežiimi lüliti asendisse I (SISSE) või AUTO (SISSE).
2. Vajutage toitenuppu. Ooterežiimi naasmiseks vajutage uuesti toitenuppu.

Seadme väljalülitamine

Tehke üks järgmistest toimingutest.

- Tolmuimeja lülitamiseks tagasi ooterežiimi vajutage toitenuppu.
- Pöörake ooterežiimi lüliti asendisse O (VÄLJAS).

Imemisjõu reguleerimine

Imemisjõudu saab reguleerida olenevalt tehtavast tööst.

- Imemisjõu vähendamiseks keerake imemisjõu reguleerimisnuppu vasakule.
- Imemisjõu suurendamiseks keerake imemisjõu reguleerimisnuppu paremale.

Vooliku läbimõõdu valimine

Keerake vooliku läbimõõdu valikunupp sellele voolikuläbimõõdule, mida te kasutada soovite.

MÄRKUS: Ärge keerake valikunuppu numbrit vahele. Keerake valikunuppu alati vastavalt vooliku läbimõõdule.

- **Joon.6:** 1. Ooterežiimi lüliti 2. Imemisjõu reguleerimisnupp 3. Vooliku läbimõõdu valikunupp 4. Toitenupp

TÄHELEPANU: Kui te ei plaani tolmuimejat pikemat aega kasutada, seadke ooterežiimilüliti alati asendisse „O“. Tolmuimeja tarbib ooterežiimis voolu.

Hoiatussignaal

Helisignaale on kahte tüüpi. Üks koosneb lühikestest signaalidest, teine pikkadest signaalidest.

- Kui õhuvoolu kiirus langeb alla 20 m/s, annab tolmuimeja ohutuse huvides lühikesed hoiatussignaalid. Nende kõlamilisel kontrollige voolikuläbimõõdu valikunuppu või vaadake, ega imemisjõud liiga väike pole. Kui signaalid kõlavad edasi, tehke hooldus või küsige kohalikust teeninduskeskusest.
- Kui paak on vedelikku täis, annab tolmuimeja pikad hoiatussignaalid ja jääb automaatselt seisma. Pärast tolmuimeja seismajäämist lülitage see välja ja tühjendage paak.

Imemise automaatne seiskamine märja imemise ajal

HOIATUS: Ärge imege vahu ega seebivedelikku. See võib põhjustada vahu väljumist õhuväljalaskevast. Sellistes tingimustes kasutamise jätkamine võib põhjustada elektrilöögi ja tolmuimeja katkimineku.

Tolmuimejal on mehhanism, mis takistab vee tungimist mootoris juhul, kui imetakse teatud kogusest rohkem vett. Kui paak on vedelikku täis, annab tolmuimeja pikad hoiatussignaalid ja jääb automaatselt seisma. Pärast tolmuimeja seismajäämist lülitage see välja ja tühjendage paak.

Filtripuhastussüsteem

Selles seadmes on filtripuhastussüsteem. Seadme kasutamise ajal eemaldab filtripuhastussüsteem filtrist automaatselt tolmu, et vältida imemisjõu langemist filtrite ummistumise tõttu.

Kui seade imeb sisse korraga suure koguse tolmu, võib imemisjõud väheneda. Sellisel juhul on soovitatav filtrit käsitsi puhastada.

1. Lülitage seade välja.
2. Seadke imemisjõud maksimaalseks ja seejärel sulgege imemisvooliku ava peopesaga.
3. Lülitage seade sisse ja laske sellel umbes 15 sekundit suletud imemisvooliku avaga töötada.

► **Joon.7:** 1. Imemisvooliku ava

MÄRKUS: Õhuvool võib aktiivse filtripuhastussüsteemiga muutuda, kuid see ei tähenda riket.

Veeäravool

Kui paak on vedeliku täis, lülitage tolmuimeja välja ning avage paagi tühjendamiseks veeäravoolukork.

► **Joon.8:** 1. Veeäravoolukork

Kork

Kork on seadmega kaasas. Korgi paigaldamine voolikuühenduse liitmikule takistab sisseimetus tolmu väljumist tolmuimejast.

► **Joon.9:** 1. Kork

Rataste lukustamine ja avamine

Esirattad saab stopperitega lukustada, et tolmuimeja paigal seisaks.

Ratta lukustamiseks laske hoob käitsi alla ja vabastamiseks tõstke see üles.

► **Joon.10:** 1. Ratas 2. Lukustushoob
3. VABASTATUD asend 4. LUKUSTATUD asend

MÄRKUS: Tolmuimeja liigutamisel kontrollige, et ratas ei oleks lukustatud. Lukustatud asendis rattaga tolmuimeja liigutamine võib rattast kahjustada.

Kandepide

ÄTTEVAATUST: Tõstke ja kandke seadet nõuetekohase ettevaatusega. Muidu võib see põhjustada kehavigastusi või seadme kahjustusi.

Tolmuimejat kandes hoidke seda tolmuimeja peaosal olevast käepidemest. Kui käepidet ei kasutata, saab selle peaosa sisse vajutada.

► **Joon.11**

Kui teil on raske seadet üksi kanda, kandke seda kahekesi, nagu joonisel on näidatud.

► **Joon.12**

► **Joon.13**

KOKKUPANEK

▲HOIATUS: See seade võib sisaldada ohtlikku tolmu. Filtrielementide ja tolmu koti vahetamisel või hoolduse ajal kasutage alati P2-respiraatorit.

▲ETTEVAATUST: Kandke alati hoolt selle eest, et seade oleks enne igasuguseid hooldustöid välja lülitatud ja akusassetid eemaldatud.

Filtrikoti paigaldamine ja kõrvaldamine

▲HOIATUS: Kasutage alati P2-respiraatorit.

▲HOIATUS: Enne filtrikoti kasutamist veenduge, et filtrirüksust kasutatakse koos. Kui filtrirüksust ei kasutata koos, võib tekkida ebatavaline müra ja soojus, mis võib põhjustada tulekahju.

▲HOIATUS: Seadme kasutamisel M-klassi tolmuaga kasutage alati filtrikotti.

TÄHELEPANU: Ärge imege filtrikoti kasutamise ajal vett ega muid vedelikke või märga tolmu. Selliste materjalide imemine võib põhjustada filtrikoti purunemise.

1. Vabastage lukustuskonksud ja tõstke peaosa paagilt ära.

► **Joon.14:** 1. Lukustuskonks

2. Voltige filtrikott lahti.

3. Pange filtrikotiava paagi tolmu sissevõtuavaga kohakuti.

4. Asetage filtrikoti papp tööriistale nii, et see asetseks arretiiariosa taga lõpus.

► **Joon.15:** 1. Filtrikott 2. Papi ava 3. Filtrikotihoidik
4. Tolmu sissevõtuava 5. Serv

Filtrikoti kõrvaldamisel tõmmake serv filtrikoti suule nii, et paber sulgeks suu.

Polüetüleenkoti paigaldamine

Vaikuline tarvik

Asetage polüetüleenkott paagi kohale ja libistage koti ülemise ääre üks külg selle avatud otsast hoidiku plaadi ja paagi esiseina vahele.

Seejärel laotage koti teised ülemised servad väljapoole üle paagi ülemise ääre.

Filtrikotiga koos võib kasutada polüetüleenkotti.

► **Joon.16:** 1. Hoidiku plaat 2. Paagi esisein
3. Polüetüleenkott

MÄRKUS: Kasutada võib tavalist polüetüleenkotti. Soovitatav on üle 0,04 mm paksus ja üle 2 000 mm ümbermõõt.

MÄRKUS: Liiga palju tolmu võib polüetüleenkoti kergeti rebestada, mistõttu ärge täitke kotti üle. Raske koti äraviskamine võib olla inimese jaoks raske.

Polüetüleenkotiga paagi tühjendamine

⚠ HOIATUS: Enne paagi tühjendamist veenduge, et tolmuimeja oleks välja lülitatud ja aku-kassetid eemaldatud. Selle nõude eiramine võib põhjustada elektrilöögi ja raskeid kehavigastusi.

TÄHELEPANU: Tühjendage paaki vähemalt üks kord päevas, lähtudes paaki kogutud tolmu kogusest. Selle eiramise korral imemisjõud nõrgeneb ja mootor võib puruneda.

TÄHELEPANU: Ärge võtke paagi tühjendamisel kinni lukustuskonksudest. Lukustuskonksudest kinni hoidmisel võivad need katki minna.

1. Vabastage lukustuskonksud ja tõstke peasa paagilt ära.
 2. Võtke polüetüleenkott paagist välja ja sulgege kotiava käega.
- **Joon.17:** 1. Polüetüleenkott 2. Paak

MÄRKUS: Võtke polüetüleenkott paagist ettevaatlikult välja, et vältida paagi sees olevate servade kriimustamist ja rebenemist.

MÄRKUS: Tühjendage polüetüleenkotti enne selle täitumist. Liiga suur tolmu kogus paagis võib põhjustada polüetüleenkoti rebenemise.

Vooliku paigaldamine

TÄHELEPANU: Ärge kunagi painutage voolikut jõuga ega muljuge seda. Ärge kunagi liigutage tolmuimejat voolikust tõmmates. Vooliku jõuga painutamine, muljumine ja tõmbamine võivad põhjustada vooliku purunemise või deformeerumise.

TÄHELEPANU: Suurte jäätmete (nt hõõvliiasutud, betoonipuru jms) koristamisel kasutage 38 mm sisediameetriga voolikut (lisatarvik). 28 mm sisediameetriga vooliku (lisatarvik) kasutamisel võib voolik ummistuda ja kahjustuda.

TÄHELEPANU: Vooliku eemaldamisel tolmuimejast pange alati kork paigaldusliitmikule.

Seadmega ühendamine

Eemaldage kork paigaldusliitmikult. Korki saab hoida tolmuimeja tagaosas, samas kui voolik on tolmuimejaga ühendatud.

► **Joon.18:** 1. Kork

Sisestage vooliku ots seadme tolmu sissevõtuava külge (vooliku sisselaskeava) ja seejärel keerake seda päripäeva, kuni see oma kohale lukustub.

- **Joon.19:** 1. Voolik 2. Tolmu sissevõtuava (vooliku sisselaskeava)

Ühendused töövahenditega (Riigikohane)

Ühendades seadme kõigi saadaolevate seadmega ühilduvate töövahenditega, töötab see elektritööriistade tolmuimejana.

Valige üks tööriista mudeli jaoks kõige sobivam esimansetidest või liigenditest (lisatarvik). Vajaduse korral seadke mansetid või liides puhastusvooliku esiosa ja tööriista tolmuemaldamise pistiku vahele.

- **Joon.20:** 1. Esimansetid või liigendid 2. Tolmuimeja voolik 3. Elektritööriist 4. Tolmuimeja

Puhastustarvikute paigaldamine või eemaldamine

⚠ ETTEVAATUST: Pärast lisatarviku paigaldamist veenduge, et see oleks turvaliselt paigaldatud. Kui lisatarvik ei ole korralikult kinnitatud, võib see lahti tulla ja põhjustada vigastusi.

Ilma lukustusfunktsioonita lisatarviku kasutamine

Valikuline tarvik

Sisestage tarvik seadme imiavasse surudes ja käsiti kinni keerates.

Pärast kasutamist keerake ja tõmmake tarvik imiavast välja.

► **Joon.21**

MAKPACi paigaldamine

Valikuline tarvik

⚠ ETTEVAATUST: Ärge seiske ega istuge seadme peal. See võib ebastabiilsuse tõttu ümber minna.

⚠ ETTEVAATUST: Olge paigaldatud MAKPACiga töötamisel ettevaatlik. Vastasel juhul võite saada kehavigastusi või seade võib kahjustada saada.

⚠ ETTEVAATUST: Kui MAKPAC on seadmele paigaldatud, ärge tõstke seadet MAKPACi käepidemega.

⚠ ETTEVAATUST: Paigaldatud MAKPACiga seadme teisaldamisel ärge lükake mitte MAKPACi, vaid seadme keret. MAKPACi lükkamisel võivad riivid puruneda ja MAKPAC maha kukkuda, mis võib kaasa tuua kehavigastused.

Ühendatavaid ja virnastatavaid MAKPACi hoiuümbriseid saab paigaldada tolmuimeja peale. Ümbrised saate vastavalt oma eelistustele valida paljude suuruste ja stiilide hulgas.

1. Avage tolmuimeja peal olevad riivid.

► **Joon.22:** 1. Riiv

2. Paigaldage MAKPACi ümbrised tolmuimeja peale ja fikseerige riividega.

► **Joon.23:** 1. Riiv 2. MAKPAC

MAKPACi maksimaalne paigalduskõrgus ja -kaal on vastavalt 315 mm ja 20 kg.

► **Joon.24**

TÖÖRIISTA KASUTAMINE

⚠ HOIATUS: Kasutage alati P2-respiraatorit.

⚠ ETTEVAATUST: Kui tööriistast hakkab välja tulla vahu või vedelikku, lülitage see kohe välja. Sellistes tingimustes kasutamise jätkamine võib põhjustada elektrilöögi ja tolmuimeja katkimineku.

JUHTMETA AKTIVEERIMISE FUNKTSIOON

Valikuline tarvik

Mida võimaldab juhtmeta aktiveerimise funktsioon

Juhtmeta aktiveerimise funktsioon võimaldab puhast ja mugavat töötamist. Ühendades toetatud tolmuimeja puhastajaga, saate käivitada puhastaja automaatselt koos tööriista lüliti toimimisega.

► **Joon.25**

TÄHELEPANU: Kasutades puhastajat koos juhtmeta aktiveerimise funktsiooniga, vaadake kindlasti tööriista kasutusjuhendit.

TÄHELEPANU: Ärge võtke juhtmeta seadet lahti ega muutke seda omavoliliselt.

TÄHELEPANU: Juhtmeta seadme pesa tolmu sattumise vältimiseks sulgege kasutamisel ja hoiudamisel kaas alati korralikult kinni.

TÄHELEPANU: Ärge vajutage juhtmeta aktiveerimise nupule liiga tugevalt ja/või ärge tehke seda teravate servadega esemega.

MÄRKUS: Juhtmeta aktiveerimine vajab Makita tööriistasid, mis on varustatud juhtmeta seadmega.

MÄRKUS: Enne juhtmeta aktiveerimise funktsiooni esialgset kasutamist iga tööriistaga on vajalik tööriista sidumine. Kui tööriista sidumine on lõpetatud, ei ole korduv sidumine vajalik, välja arvatud juhul, kui see tühistatakse.

MÄRKUS: Enne sidumist veenduge, et juhtmeta seade oleks korralikult seadmesse sisestatud.

MÄRKUS: Ühe juhtmeta seadmega saab siduda kuni kümme juhtmeta seadet. Kui ühe juhtmeta seadmega on seotud üle 10 juhtmeta seadme, siis kõige esimesena seotud juhtmeta seadme sidumine tühistatakse automaatselt.

MÄRKUS: Juhtmeta aktiveerimise nupu asend oleb tööriistast.

MÄRKUS: Puhastaja käivitub ka toitenuppu vajutades, kui ootelüliti on seotud asendisse „AUTO”. Toitenupp ei käivita, kui kasutatakse juhtmeta aktiveerimise funktsiooni.

Juhtmeta seadme paigaldamine

⚠HOIATUS: Juhtmeta seadme paigaldamisel avage kaas ainult esimesel korral. Ärge avage kaant pärast paigaldamist.

⚠ETTEVAATUST: Juhtmeta seadme paigaldamisel asetage puhastaja tasasele ja kindlale pinnale.

TÄHELEPANU: Enne juhtmeta seadme paigaldamist puhastage puhastaja tolmu- ja mustusest. Kui tolm ja mustus satuvad juhtmeta seadme pesa, siis võib esineda talitushäireid.

TÄHELEPANU: Staatika põhjustatud talitushäirete vältimiseks puudutage enne juhtmeta seadme ülestõstmist staatikat eemaldavat materjali, näiteks metallist osa.

TÄHELEPANU: Juhtmeta seadme paigaldamisel veenduge alati, et juhtmeta seade oleks sisestatud õiges suunas ja kaas oleks korralikult suletud.

1. Tolmuimejal kaane avamiseks keerake kruvi joonisel näidatud viisil lahti.

► **Joon.26:** 1. Kaas 2. Kruvi

2. Sisestage juhtmevaba seade pesa.

Juhtmeta seadme sisestamisel joondage väljaulatuvad osad pesa süvendatud osadega.

► **Joon.27:** 1. Juhtmeta seade 2. Väljaulatuv osa 3. Kaas 4. Süvendatud osa

3. Kaane sulgemiseks keerake kruvi täielikult kinni.

Tööriista sidumine puhastaja jaoks

MÄRKUS: Sidumiseks on vajalik Makita tööriist, mis toetaks juhtmeta aktiveerimise funktsiooni.

MÄRKUS: Enne tööriista registreerimist tuleb juhtmeta seade tööriista paigaldada.

MÄRKUS: Tööriista sidumise ajal ärge tõmmake lüliti päästikut ega lülitage puhastaja toitelüliti sisse.

MÄRKUS: Vt ka tööriista kasutusjuhendit.

Kui soovite puhastaja koos tööriista lüliti toimimisega aktiveerida, siis peate kõigepealt lõpetama tööriista sidumise.

1. Paigaldage juhtmeta seadmed nii puhastajasse kui ka tööriista.

2. Paigaldage patareid nii puhastajasse kui ka tööriista.

3. Seadke puhastaja ooterežiimi lüliti asendisse „AUTO”.

► **Joon.28:** 1. Ooterežiimi lüliti

4. Vajutage puhastajal juhtmeta aktiveerimise nuppu ja hoidke seda 3 sekundit all, kuni juhtmeta aktiveerimise tuli hakkab roheliselt vilkuma. Seejärel vajutage samamoodi tööriista juhtmeta aktiveerimise nuppu.

► **Joon.29:** 1. Juhtmeta aktiveerimise nupp 2. Juhtmeta aktiveerimise tuli

Kui puhastaja ja tööriist on edukalt seotud, siis juhtmeta aktiveerimise tuled süttivad 2 sekundi roheliselt ja hakkavad seejärel siniselt vilkuma.

MÄRKUS: Juhtmeta aktiveerimise lambid lõpetavad roheliselt vilkumise 20 sekundi pärast. Vajutage juhtmeta aktiveerimise nuppu tööriistal, kui puhastajal vilgub juhtmeta aktiveerimise tuli. Kui juhtmeta aktiveerimise tuli ei vilgu roheliselt, siis vajutage korra juhtmeta aktiveerimise nuppu ja hoidke seda uuesti all.

MÄRKUS: Sidudes kahte või enamat tööriista ühe puhastajaga, lõpetage tööriistade sidumine ükshaaval.

Juhtmeta aktiveerimise funktsiooni käivitamine

MÄRKUS: Enne juhtmeta aktiveerimist tuleb lõpetada tööriista sidumine puhastajaga.

MÄRKUS: Asetage puhastaja alati nii, et näeksite juhtmeta aktiveerimise tule alati.

MÄRKUS: Vt ka tööriista kasutusjuhendit.

Pärast tööriista sidumist puhastajaga, käivitub puhastaja automaatselt tööriista lülite abil.

1. Paigaldage juhtmeta seadmed nii puhastajasse kui ka tööriista.

2. Paigaldage patareid nii puhastajasse kui ka tööriista.

3. Ühendage puhastaja voolik tööriistaga.

► **Joon.30**

4. Seadke puhastaja ooterežiimi lüliti asendisse „AUTO”.

► **Joon.31:** 1. Ooterežiimi lüliti

5. Vajutage korraks tööriistal olevat juhtmeta aktiveerimise nuppu. Juhtmeta aktiveerimise tuli vilgub siniselt.

► **Joon.32:** 1. Juhtmeta aktiveerimise nupp
2. Juhtmeta aktiveerimise tuli

6. Lülitage tööriist sisse. Kontrollige, kas tolmuimeja töötab tööriista töötamise ajal.

⚠ETTEVAATUST: Enne tööriistaga töötamist kontrollige alati, kas juhtmeta aktiveerimise funktsioon töötab.

Juhtmeta aktiveerimise peatamiseks tõmmake juhtmeta aktiveerimise nuppu tööriistal või seadke puhastaja ootelüliti asendisse I või O.

MÄRKUS: Tööriista juhtmeta aktiveerimise tuli lõpetab siniselt vilkumise, kui 2 tunni jooksul ei tehta ühtegi toimingut. Sellisel juhul seadke puhastaja ooterežiimi lüliti asendisse „AUTO” ja vajutage tööriistal uuesti juhtmeta aktiveerimise nuppu.

MÄRKUS: Puhastaja alustab/peatub viivitusega. Kui puhastaja tuvastab tööriista lüliti toimimise, esineb viivitus.

MÄRKUS: Juhtmeta seadme edastamise kaugus võib olenevalt asukohast ja ümbritsevatest oludest erineda.

MÄRKUS: Kui ühe tolmuimejaga seotakse kaks või enam tööriista, võib tolmuimeja hakata tööle isegi siis, kui te ei lülita tööriista sisse, sest mõni teine kasutaja kasutab juhtmeta aktiveerimise funktsiooni.

Tööriista sidumise tühistamine puhastaja jaoks

Tööriista sidumise tühistamiseks puhastaja jaoks tuleb toimida alljärgnevalt.

1. Paigaldage juhtmeta seadmed nii puhastajasse kui ka tööriista.

2. Paigaldage patareid nii puhastajasse kui ka tööriista.

3. Seadke puhastaja ooterežiimi lüliti asendisse „AUTO”.

► **Joon.33:** 1. Ooterežiimi lüliti

4. Vajutage puhastajal juhtmeta aktiveerimise nuppu ja hoidke seda 6 sekundit all. Juhtmeta aktiveerimise tuli vilgub roheliselt ja muutub seejärel punaseks. Seejärel vajutage samamoodi tööriista juhtmeta aktiveerimise nuppu.

► **Joon.34:** 1. Juhtmeta aktiveerimise nupp
2. Juhtmeta aktiveerimise tuli

Kui tolmuimeja ja tööriist on edukalt lahutatud, siis juhtmeta aktiveerimise tuled süttivad 2 sekundiks punaselt ja seejärel hakkavad need siniselt vilkuma.

MÄRKUS: Juhtmeta aktiveerimise lambid lõpetavad punaselt vilkumise 20 sekundi pärast. Vajutage juhtmeta aktiveerimise nuppu tööriistal, kui puhastajal vilgub juhtmeta aktiveerimise tuli. Kui juhtmeta aktiveerimise tuli ei vilgu punaselt, siis vajutage korraks juhtmeta aktiveerimise nuppu ja hoidke seda uuesti all.

Kõikide tööriista sidumiste kustutamine

Kõik tööriista sidumised saate puhastajast kustutada järgmiselt.

► **Joon.35:** 1. Ooterežiimi lüliti 2. Juhtmeta aktiveerimise nupp 3. Juhtmeta aktiveerimise tuli

1. Paigaldage juhtmeta seade puhastajasse.

2. Paigaldage patareid puhastajasse.

3. Seadke ooterežiimi lüliti asendisse „AUTO”.

4. Hoidke juhtmeta aktiveerimise nuppu umbes 6 sekundit all, kuni juhtmeta aktiveerimise tuli vilgub punaselt (umbes kaks korda sekundis).

5. Kui juhtmeta aktiveerimise tuli hakkab punaselt vilkuma, vabastage oma sõrm juhtmeta aktiveerimise nupult. Seejärel hoidke juhtmeta aktiveerimise nuppu uuest umbes 6 sekundit all.







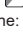



6. Kui juhtmeta aktiveerimise tuli hakkab punaselt kiiresti vilkuma (umbes 5 korda ühe sekundi kohta), vabastage oma sõrm juhtmeta aktiveerimise nupult. Kui juhtmeta aktiveerimise tuli süttib punaselt ja hiljem kustub, on kõik tööriista sidumised kustutatud.

MÄRKUS: Kui juhtmeta aktiveerimise tuli ei vilgu punaselt, siis vajutage korraks juhtmeta aktiveerimise nuppu ja proovige uuesti.

Juhtmeta aktiveerimise tule oleku kirjeldus

- **Joon.36:** 1. Juhtmeta aktiveerimise nupp
2. Juhtmeta aktiveerimise tuli

Juhtmeta aktiveerimise tuli näitab juhtmeta aktiveerimise funktsiooni olekut. Tule oleku tähendust näete allolevast tabelist.

Olek	Juhtmeta aktiveerimise tuli			Kirjeldus
	Värv	 Põleb	 Vilgub	
Ooteaeg	Sinine		Puhastaja: jätkuv Tööriist: 2 tundi	Oodatakse tööriista sidumist või on juhtmeta aktiveerimise funktsioon saadaval. Puhastajal olev tuli vilgub, kui ootelüliti on seatud asendisse AUTO. Tööriistal olev tuli vilgub, kui vajutatakse juhtmeta aktiveerimise nuppu. Tööriistal olev tuli lülitub automaatselt välja, kui 2 tunni jooksul ei tehta ühtegi toimingut.
			Kui tööriist on käivitatud.	Puhastaja juhtmeta aktiveerimine on saadaval ja tööriist on käivitatud.
Tööriista sidumine	Roheline		20 sekundit	Valmis tööriista sidumiseks. Seotava tööriista otsimine.
			2 sekundit	Tööriista sidumine on lõpetatud. Juhtmeta aktiveerimise tuli hakkab siniselt vilkuma.
Tööriista sidumise tühistamine/kustutamine	Punane	 (aeglane: 2 korda sekundis)	20 sekundit	Valmis tööriista sidumise tühistamiseks. Tühistatava tööriista otsimine.
		 (kiire: 5 korda sekundis)	Kui juhtmeta aktiveerimise nupp alla vajutatakse.	Kõikide tööriista sidumiste kustutamiseks valmis.
			2 sekundit	Tööriista sidumine on tühistatud/kustutatud. Juhtmeta aktiveerimise tuli hakkab siniselt vilkuma.
Muu	Punane		3 sekundit	Juhtmeta seade on ühendatud toitega ja juhtmeta aktiveerimise funktsioon käivitub.
	Väljas	-	-	Ooterežiimi lüliti ei ole seatud asendisse „AUTO”.

Juhtmeta aktiveerimise funktsiooni veatsing

Enne remonditöökotta pöördumist kontrollige niidukit ise. Ärge üritage niidukit lahti võtta, kui leiate probleemi, mida kasutusjuhendis ei kirjeldata. Selle asemel pöörduge Makita volitatud teeninduskeskusesse, kus kasutatakse remon-
timisel alati Makita tagavaraosi.

Tõrge	Võimalik põhjus (riike)	Lahendus
Juhtmeta aktiveerimise tuli ei põle / ei vilgu.	Puhastaja ja/või tööriista sisse ei ole juhtmeta seadet paigaldatud. Juhtmeta seade on puhastaja ja/või tööriista sisse valesti paigaldatud.	Paigaldage juhtmeta seade õigesti.
	Tööriistal olevat juhtmeta aktiveerimise nuppu ei ole vajutatud.	Vajutage korraks tööriistal olevat juhtmeta aktiveerimise nuppu.
	Puhastaja ooterežiimi lüliti ei ole seatud asendisse „AUTO“.	Seadke puhastaja ooterežiimi lüliti asendisse „AUTO“.
	Puudub toiteallikas	Varustage tööriist ja puhastaja toiteallikaga.
Tööriista registreerimist / tööriista registreerimise tühistamist ei õnnestunud edukalt lõpetada.	Juhtmeta seadet pole paigaldatud puhastajale ja/või tööriistale. Juhtmeta seade on paigaldatud puhastajale ja/või tööriistale valesti.	Paigaldage juhtmeta seade õigesti.
	Puhastaja ooterežiimi lüliti ei ole seatud asendisse „AUTO“.	Seadke puhastaja ooterežiimi lüliti asendisse „AUTO“.
	Puudub toiteallikas	Varustage tööriist ja puhastaja toiteallikaga.
	Vale kasutamine	Vajutage korraks juhtmeta aktiveerimise nuppu ja tehke tööriista registreerimise/tühistamise toimingud uuesti.
	Tööriist ja puhastaja asuvad teineteisest liiga kaugel (on leviulatusest väljas).	Viige tööriist ja puhastaja üksteisele lähemale. Maksimaalne ülekandekaugus on umbes 10 m, kuid see võib olenevalt asjaoludest varieeruda.
	Enne tööriista registreerimise/tühistamise lõpetamist; - tööriista lüliti on sisse lülitatud või; - tolmuimeja toitenupp on sisse lülitatud.	Vajutage korraks juhtmeta aktiveerimise nuppu ja tehke tööriista registreerimise/tühistamise toimingud uuesti.
	Tööriista või puhastaja sidumistoimingud on lõpetamata.	Tehke samal ajal nii tööriista kui ka puhastaja sidumistoimingud.
Teiste seadmete tekitatud raadiohäiring, mis tekitab väga intensiivseid raadiolaineid.	Hoidke tööriista ja puhastajat WiFi-seadmetest ja mikrolaineahjust eemal.	
Puhastaja ei tööta tööriista lüliti kaudu.	Puhastaja ja/või tööriista sisse ei ole juhtmeta seadet paigaldatud. Juhtmeta seade on puhastaja ja/või tööriista sisse valesti paigaldatud.	Paigaldage juhtmeta seade õigesti.
	Tööriistal olevat juhtmeta aktiveerimise nuppu ei ole vajutatud.	Vajutage korraks juhtmeta aktiveerimise nuppu ja veenduge, et juhtmeta aktiveerimise tuli vilguks siniselt.
	Puhastaja ooterežiimi lüliti ei ole seatud asendisse „AUTO“.	Seadke puhastaja ooterežiimi lüliti asendisse „AUTO“.
	Puhastajaga on seotud üle 10 tööriista.	Tehke sidumistoiming uuesti. Kui tolmuimejaga on seotud üle 10 tööriista, siis kõige esimesena seotud tööriista sidumine tühistatakse automaatselt.
	Tolmuimeja kustutas kõik seotud tööriistad.	Siduge tööriist uuesti.
	Puudub toiteallikas	Varustage tööriist ja puhastaja toiteallikaga.
	Tööriist ja puhastaja asuvad teineteisest liiga kaugel (on leviulatusest väljas).	Viige tööriist ja puhastaja üksteisele lähemale. Maksimaalne ülekandekaugus on umbes 10 m, kuid see võib olenevalt asjaoludest varieeruda.
Teiste seadmete tekitatud raadiohäiring, mis tekitab väga intensiivseid raadiolaineid.	Hoidke tööriista ja puhastajat WiFi-seadmetest ja mikrolaineahjust eemal.	
Tolmuimeja töötab, kui tööriist ei tööta.	Teised kasutajad kasutavad oma tööriistaga puhastaja juhtmeta aktiveerimist.	Lülitage teiste tööriistade juhtmeta aktiveerimise nupp välja või tühistage teiste tööriistade registreerimine.

Tõrge	Võimalik põhjus (riike)	Lahendus
Ei saa kustutada kõiki puhastajas olevaid sidumisi.	Tööriistal oleva juhtmeta aktiveerimise nupu vajutamine.	Vajutage puhastajal juhtmeta nuppu, et kustutada kõik tööriista sidumised.
	Puhastaja ooterežiimi lüliti ei ole seatud asendisse „AUTO“.	Seadke puhastaja ooterežiimi lüliti asendisse „AUTO“.
	Juhtmeta aktiveerimise nuppu ei hoita õigesti all.	Hoidke juhtmeta aktiveerimise nuppu all rohkem kui 6 sekundit ja seejärel vabastage see, kui juhtmeta aktiveerimise tuli vilgub punaselt. Hoidke juhtmeta aktiveerimise nuppu uuesti rohkem kui 6 sekundit all, kuni juhtmeta aktiveerimise nupp vilgub kiiresti punaselt, ja vabastage seejärel nupp.

HOOLDUS

⚠ HOIATUS: Kasutage hooldustööde tegemise ajal alati P2-respiraatorit.

⚠ ETTEVAATUST: Enne kontroll- või hool-dustoimingute tegemist kandke alati hoolit selle eest, et seade oleks välja lülitatud ja akukassetid eemaldatud.

⚠ ETTEVAATUST: Instrueeritud isik peab vähemalt korra aastas tegema tehnilise kont- rolli, sh kontrollima filtreid, õhukindlust ja juhtmehhanisme.

⚠ ETTEVAATUST: Hoolduse ajal tuleb ära visata kõik saastunud osad, mida pole võimalik rahuldavalt puhastada. Sellised osad tuleb kõrval- dada läbitungimatutes kottides, mis vastavad teie riigis kehtivatele nõuetele.

⚠ ETTEVAATUST: Pärast ohtlikus piirkonnas kasutamist tuleb tööriista välispind dekontami- neerida tolmuimeja ja lapiga või töödelda tööriista enne ohtlikust piirkonnast välja viimist tihendiga. Kõiki tööriista osi tuleb pärast ohtlikust piirkon- nast eemaldamist pidada saastunuks ning tolmu hajumise vältimiseks tuleb võtta asjakohased meetmed.

⚠ ETTEVAATUST: Kui filtrid on tolmu- ga ummistunud või kui tunnete, et tolmuimeja jõud- lus on vähenenud, vahetage filtrid.

⚠ ETTEVAATUST: Kontrollige filtreid regulaar- selt. Kui filtrid on rebenenud, tuleb need kohe välja vahetada.

TÄHELEPANU: Ärge kunagi kasutage bensiini, vedeldit, alkoholi ega midagi muud sarnast. Selle tulemuseks võib olla luitumine, deformatsioon või pragunemine.

Toote OHUTUSE ja TÖÖKINDLUSE tagamiseks tuleb vajalikud remonttööd ning muud hooldus- ja reguleeri- mistööd lasta teha Makita volitatud teeninduskeskustes või tehase teeninduskeskustes. Alati tuleb kasutada Makita varuosi.

Filtriüksuse eemaldamine

⚠ ETTEVAATUST: Oodake umbes 5 minutit, et paagis olev tolm langeks täielikult maha.

⚠ ETTEVAATUST: Olge ettevaatlik ja ärge laske filtriüksuse eemaldamise ajal tolmul paagikat- tesse sattuda.

Filtriüksus on peasa külge kinnitatud. See koos- neb pealmisest plaadist, eelfiltritest, summutitest ja peentolmufiltritest.

1. Vabastage lukustuskonksud ja tõstke peasa paagilt ära.
2. Eemaldage filtriüksus peasalt, nagu joonisel on näidatud.

► Joon.37: 1. Riiv 2. Filtriüksus

Peentolmufiltri ja eelfiltri eemaldamine

Tõmmake naga üles ja eemaldage filtrid pealmiselt plaadilt.

► Joon.38: 1. Pealne plaat 2. Filtrid 3. Naga

Tolmu õhku lendumise ennetamiseks on eelistatav eemaldada filtrid polüetüleenkotis.

Filtriüksuse teisaldamisel puhastamise eesmärgil siduge polüetüleenkott tugevalt kinni.

► Joon.39: 1. Filtriüksus 2. Polüetüleenkott

► Joon.40: 1. Pealne plaat 2. Filtrid
3. Polüetüleenkott

Peentolmufiltri, eelfiltri ja summuti puhastamine

Puhastage aeg-ajalt filtreid ja summutit. Ummistunud filtrid ja summuti võivad imemisvõimsust vähendada.

Puhastage filtritelt ja summutilt regulaarselt sinna kogu- nenud tolm.

Aeg-ajalt peske peentolmufiltrit, eelfiltrit ja summutit vees, loputage ja kuivatage enne kasutamist hoolikalt varjus. Ärge mitte kunagi peske neid pesumasinas.

► Joon.41

MÄRKUS: Peentolmufiltrit, eelfiltrit ega summutit ei tohi hõõruda ega kraapida kõvade esemetega, nagu harja ja kaabitsaga.

MÄRKUS: Aja jooksul filter kulub. Soovitav on nende jaoks hoida käepärast mõningaid varuosi.

Peentolmufilteri ja eelfiltri paigaldamine

TÄHELEPANU: Peentolmufilter ja eelfilter peavad kinni nii kuiva kui ka märga tolmu. Veenduge, et veetasemeandurid aktiveeruksid korralikult, vastasel juhul võib filter puruneda.

Haakige filtriüksuse servad pealmisele plaadile ja seejärel vajutage naga alla.

► **Joon.42:** 1. Serv 2. Naga

TÄHELEPANU: Peentolmufiltrit tuleb alati kasutada koos eelfiltri ja summutiga. Peentolmufiltrit ei tohi paigaldada ilma eelnimetatud komponentideta.

Filtrite kokkupanek

Kui saate filtrid eraldi, pange need kokku joonisel näidatud viisil.

► **Joon.43:** 1. Peentolmufilter 2. Summuti 3. Eelfilter

Filtriüksuse paigaldamine

Pärast filtrite paigaldamist pealmisele plaadile haakige filtriüksuse avad sisemise katte U-kujulistele osadele. Seejärel lukustage haak joonisel näidatud viisil.

► **Joon.44:** 1. U-kujuline osa 2. Ava 3. Riiv

Veefiltri paigaldamine

Valikuline tarvik

TÄHELEPANU: Märja tolmu kogumiseks veenduge, et veetasemeandurid aktiveeruksid korralikult.

TÄHELEPANU: Ärge kasutage veefiltri kasutamise ajal eelfiltrit ega summutit.

Ainult vee või märja tolmu kogumiseks sobib veefilter paremini kui peentolmufilter ja eelfilter. Veefiltri paigaldamisel pange veefilter pealmisele plaadile samamoodi nagu peentolmufilter ja eelfilter.

► **Joon.45**

MÄRKUS: Suure koguse vee korduval imemisel on soovitatav kasutada veefiltrit. Vastasel juhul võib tolmuimemisvõime peentolmufilteri ja eelfiltri kasutamisel väheneda.

Veetasemeandurite puhastamine

Veetasemeandurid tuvastavad vedelikku, kui paak saab vedelikku täis. Puhastage veetasemeandureid filtrite vahetamisel aeg-ajalt puhta lapiga.

► **Joon.46:** 1. Veetasemeandur

Tarvikute hoidmine

Tarvikud ja lisaseadised, mida ei kasutata, näiteks otsakud, torud ja kork, saab hoida konksu külge riputatult tolmumeija tagaosas.

► **Joon.47:** 1. Tarvikud ja lisaseadised, mida ei kasutata 2. Kork

Torud (paigaldatud valikulise sulguriga) võib asetada toruhoidikusse, kui te tolmumeijat lühikest aega ei kasuta.

► **Joon.48:** 1. Sulgur (valikuline lisatarvik) 2. Toruhoidik

Vooliku saab kokku kerida ja hoida seadme korpuse või käepideme ümber suurte silmustena. Ühendage selle mõlemad otsad silmuste moodustamiseks ja haakige silmused ülestõstetud käepideme külge. Samuti saate hoida selle seadmepoolse otsa vooliku sisselaskeavasse paigaldatuna ja riputada silmused mitmikkonksu külge nii, et lahtised otsad oleks kinni seotud.

► **Joon.49**

► **Joon.50**

VALIKULISED TARVIKUD

⚠ETTEVAATUST: Neid tarvikuid ja liseseadiseid on soovitatav kasutada koos Makita tööriistaga, mille kasutamist selles kasutusjuhendis kirjeldatakse. Muude tarvikute ja liseseadiste kasutamisega kaasneb vigastada saamise oht. Kasutage tarvikuid ja liseseadiseid ainult otstarbekohaselt.

Saate vajaduse korral kohalikust Makita teeninduskeskusest lisateavet nende tarvikute kohta.

- Voolik
- Esimansetid (22, 24, 38)
- Sirge toru
- Nurgaotsak
- Ümmargune hari
- Peentolmufilter M, H (HEPA)
- Summuti
- Eelfilter
- Veefilter
- Otsakumoodul
- Painutatud toru
- Polüetüleenkott
- Filtrikott
- Kork
- Makita algupärane aku ja laadija
- Juhtmevaba seade
- MAKPAC

MÄRKUS: Mõned nimekirjas loetletud tarvikud võivad kuuluda standardvarustusse ning need on lisatud tööriista pakendisse. Need võivad riigiti erineda.

ОСТОРОЖНО

- Это устройство не предназначено для использования лицами (включая детей) с ограниченными физическими, сенсорными или умственными способностями, а также не имеющими надлежащего опыта и знаний.
- Следите за маленькими детьми, чтобы они не использовали пылесос в качестве игрушки.
- Тип аккумулятора указан в главе "ТЕХНИЧЕСКИЕ ХАРАКТЕРИСТИКИ".
- Инструкции по установке и извлечению аккумулятора приведены в разделе "Установка или снятие блока аккумулятора".
- Для утилизации блока аккумулятора извлеките его из инструмента и утилизируйте безопасным способом. Выполняйте требования местного законодательства по утилизации аккумулятора.
- Если инструментом не будут пользоваться в течение длительного периода времени, извлеките аккумулятор из инструмента.
- Не замыкайте контакты блока аккумулятора между собой.
- Сведения о мерах предосторожности при техническом обслуживании изделия пользователем приведены в главе "ТЕХНИЧЕСКОЕ ОБСЛУЖИВАНИЕ".

ТЕХНИЧЕСКИЕ ХАРАКТЕРИСТИКИ

Модель:		VC006GM
Максимальный объем воздуха в конце шланга	Со шлангом BL4050F, ø28 мм x3,5 м	2,0 м ³ /мин
	Со шлангом BL4050F, ø38 мм x2,5 м	3,7 м ³ /мин
Максимальный объем воздуха в турбине (с BL4050F)		4,9 м ³ /мин
Вакуум (с BL4050F)		18 кПа
Восстанавливаемая емкость	Пыль	40 л
	Вода	30 л
Размеры (Д × Ш × В)		586 мм × 385 мм × 598 мм
Номинальное напряжение		72 В – 80 В пост. тока макс.
Масса нетто		18,4 – 20,8 кг
Степень защиты		IPX4

- Благодаря нашей постоянно действующей программе исследований и разработок указанные здесь технические характеристики могут быть изменены без предварительного уведомления.
- Технические характеристики могут различаться в зависимости от страны.
- Масса указана без учета принадлежностей за исключением блока(-ов) аккумулятора(-ов). Масса устройства и блока(-ов) аккумулятора(-ов) в самой легкой и самой тяжелой комбинациях указана в таблице.

Подходящий блок аккумулятора и зарядное устройство

Блок аккумулятора	BL4020 / BL4025 / BL4040* / BL4050F* / BL4080F* *: рекомендуемый аккумулятор
Зарядное устройство	DC40RA / DC40RB / DC40RC

- В зависимости от региона проживания некоторые блоки аккумуляторов и зарядные устройства, перечисленные выше, могут быть недоступны.

⚠ ОСТОРОЖНО: Используйте только перечисленные выше блоки аккумуляторов и зарядные устройства. Использование других блоков аккумуляторов и зарядных устройств может привести к травме и/или пожару.

Символы

Ниже приведены символы, которые могут использоваться для обозначения оборудования. Перед использованием убедитесь в том, что вы понимаете их значение.



Прочитайте руководство по эксплуатации.



Обратите особое внимание.



Осторожно! Пылесос может содержать опасную пыль.



Запрещено вставать на пылесос.



Ни в коем случае не кладите на пылесос какие-либо предметы тяжелее 20 кг (44 фунтов).



Класс пылеулавливания M (средний): для отделения пыли с предельным значением производственной экспозиции не менее 0,1 мг/м³. Данные пылесосы могут охватывать классы пылеулавливания L и M. Соблюдайте нормативные требования, действующие в вашей стране в отношении защиты и пыли, а также техники безопасности и охраны труда.



Только для стран ЕС
В связи с наличием в оборудовании опасных компонентов отходы электрического и электронного оборудования, аккумуляторы и батареи могут оказывать негативное влияние на окружающую среду и здоровье человека. Не выбрасывайте электрические и электронные устройства или батареи вместе с бытовыми отходами!
В соответствии с директивой ЕС по отходам электрического и электронного оборудования, по аккумуляторам, батареям и отходам аккумуляторов и батарей, а также в соответствии с ее адаптацией к национальному законодательству, отходы электрического оборудования, батареи и аккумуляторы следует хранить отдельно и доставлять на пункт раздельного сбора коммунальных отходов, работающий с соблюдением правил охраны окружающей среды. Это обозначено символом в виде перечеркнутого мусорного контейнера на колесах, нанесенным на оборудование.

Назначение

Данное устройство предназначено для влажной и сухой уборки. Устройство подходит для коммерческого использования, например в гостиницах, школах, больницах, магазинах, офисах, арендных помещениях и на заводах.

Шум

Типичный уровень взвешенного звукового давления (A), измеренный в соответствии с EN60335-2-69:
Уровень звукового давления (L_{ра}): 70 дБ (или менее)
Погрешность (K): 2,5 дБ (A)

Уровень шума при выполнении работ может превышать 80 дБ (A).

ПРИМЕЧАНИЕ: Заявленное значение распространения шума измерено в соответствии со стандартной методикой испытаний и может быть использовано для сравнения инструментов.

ПРИМЕЧАНИЕ: Заявленное значение распространения шума можно также использовать для предварительных оценок воздействия.

⚠ОСТОРОЖНО: Используйте средства защиты слуха.

⚠ОСТОРОЖНО: Распространение шума во время фактического использования электроинструмента может отличаться от заявленного значения в зависимости от способа применения инструмента и в особенности от типа обрабатываемой детали.

⚠ОСТОРОЖНО: Обязательно определите меры безопасности для защиты оператора, основанные на оценке воздействия в реальных условиях использования (с учетом всех этапов рабочего цикла, таких как выключение инструмента, работа без нагрузки и включение).

Вибрация

Суммарное значение вибрации (сумма векторов по трем осям), определенное в соответствии с EN60335-2-69:

Распространение вибрации (a_{н,м}): 2,5 м/с² или менее

Погрешность (K): 1,5 м/с²

ПРИМЕЧАНИЕ: Заявленное общее значение распространения вибрации измерено в соответствии со стандартной методикой испытаний и может быть использовано для сравнения инструментов.

ПРИМЕЧАНИЕ: Заявленное общее значение распространения вибрации можно также использовать для предварительных оценок воздействия.

⚠ОСТОРОЖНО: Распространение вибрации во время фактического использования электроинструмента может отличаться от заявленного значения в зависимости от способа применения инструмента и в особенности от типа обрабатываемой детали.

⚠ОСТОРОЖНО: Обязательно определите меры безопасности для защиты оператора, основанные на оценке воздействия в реальных условиях использования (с учетом всех этапов рабочего цикла, таких как выключение инструмента, работа без нагрузки и включение).

Декларация о соответствии ЕС

Только для европейских стран

Декларация о соответствии ЕС включена в руководство по эксплуатации (Приложение А).

МЕРЫ БЕЗОПАСНОСТИ

Правила техники безопасности при эксплуатации аккумулятора пылесоса

▲ОСТОРОЖНО: ВАЖНО! ВНИМАТЕЛЬНО ОЗНАКОМЬТЕСЬ со всеми инструкциями и рекомендациями по технике безопасности **ДО НАЧАЛА РАБОТЫ**. Невыполнение инструкций и рекомендаций может привести к поражению электрическим током, пожару и/или тяжелым травмам.

1. Перед началом эксплуатации убедитесь в том, что пользователь должным образом проинструктирован по работе с этим пылесосом.
2. Перед началом эксплуатации операторы должны ознакомиться с информацией, инструкциями и пройти подготовку по эксплуатации машины и использованию веществ, для работы с которыми предназначена эта машина, включая безопасный способ сбора и удаления собранного материала.
3. В случае вытекания пены/жидкости немедленно выключите инструмент.
4. Регулярно очищайте ограничитель уровня воды и осматривайте его на предмет повреждений.
5. Перед использованием обязательно убедитесь в том, что фильтры установлены правильно. Не используйте пылесос без правильно установленных фильтров. Поврежденный фильтр следует немедленно заменить. Рекомендуется приобрести запасные фильтры, поскольку фильтры относятся к расходным материалам.
6. **НЕ ДОПУСКАЙТЕ СЛУЧАЙНОГО ПУСКА.** Устанавливая аккумулятор (аккумуляторы), обязательно убедитесь, что инструмент выключен.
7. Не используйте пылесос для сбора легко воспламеняющихся материалов, пиротехнических изделий, горящих сигарет, горячего пепла, горячей металлической стружки и острых материалов, в частности бритв, игл, битого стекла и т. п.
8. **ЗАПРЕЩЕНО ЭКСПЛУАТИРОВАТЬ ПЫЛЕСОС РЯДОМ С БЕНЗИНОМ, ГАЗОМ, КРАСКОЙ, КЛЕЯЩИМИ И ДРУГИМИ ВЗРЫВООПАСНЫМИ МАТЕРИАЛАМИ.** При установке переключателя в положение ON (Вкл.) и OFF (Выкл.) возможно возникновение искр. Искры могут также возникать во время работы коллектора электродвигателя. Результатом может стать сильный взрыв.
9. Запрещено использовать пылесос для уборки токсичных, канцерогенных, легко воспламеняющихся и других опасных материалов, таких как асбест, мышьяк, барий, бериллий, свинец, пестициды и другие вредные для здоровья вещества.
10. Всегда размещайте пылесос на горизонтальной ровной поверхности для предотвращения его падения или случайного перемещения.
11. Запрещено использовать пылесос вне помещения во время дождя.
12. Для Финляндии: устройство не следует использовать вне помещения при низкой температуре.
13. Не используйте пылесос вблизи источников тепла (печи и пр.).
14. Если выходящий из устройства воздух возвращается в помещение, необходимо обеспечить в помещении достаточный воздухообмен. Необходимо соблюдать государственные нормы.
15. Не блокируйте всасывающие впускные отверстия, выпускные отверстия или вентиляционные отверстия. Они обеспечивают охлаждение электродвигателя. Следите за тем, чтобы вентиляционные отверстия не засорились. В противном случае электродвигатель может сгореть из-за недостаточного охлаждения.
16. Всегда сохраняйте устойчивое положение и равновесие.
17. Не сгибайте, не тяните за шланг и не наступайте на него.
18. Немедленно выключите пылесос, если во время работы заметите признаки неисправности или падения мощности.
19. **СНИМИТЕ АККУМУЛЯТОР (АККУМУЛЯТОРЫ).** Если пылесос не используется, перед обслуживанием и при смене насадок.
20. Очищайте и обслуживайте пылесос сразу по окончании работы, чтобы поддерживать его в оптимальном техническом состоянии.
21. **СОБЛЮДАЙТЕ ОСТОРОЖНОСТЬ ВО ВРЕМЯ ОБСЛУЖИВАНИЯ ПЫЛЕСОСА.** Содержите пылесос в чистоте, чтобы обеспечить максимальную эффективность и безопасность эксплуатации. Следуйте инструкциям по смене насадок. Ручки инструмента всегда должны быть сухими и чистыми и не должны быть испачканы маслом или смазкой.
22. **ПРОВЕРЬТЕ ПОВРЕЖДЕННЫЕ КОМПОНЕНТЫ.** Перед дальнейшим использованием пылесоса ограждение или другую поврежденную деталь следует тщательно осмотреть, чтобы убедиться в том, что пылесос будет работать нормально и выполнять функции, для которых он предназначен. Убедитесь в соосности, отсутствии повреждений движущихся деталей, надежности крепления и отсутствии других дефектов, которые могут повлиять на работу электроинструмента. Поврежденное ограждение или какая-либо другая деталь должны быть соответствующим образом отремонтированы или заменены авторизованным сервисным центром, если в руководстве по эксплуатации не указано иное. Неисправные выключатели должны быть заменены в авторизованном сервисном центре. Не используйте пылесос, если выключатель не включает или не выключает его.

23. Примечание относительно самостоятельного обслуживания: устройство необходимо демонтировать, очистить и выполнить его техническое обслуживание, насколько это практически выполнимо, без риска для обслуживающего персонала и других лиц.
 24. Производитель или подготовленный специалист должен не реже одного раза в год проводить техническую проверку машины, в то числе осмотр фильтров на отсутствие повреждений, проверку герметичности машины и надлежащего функционирования механизма управления.
 25. При выполнении работ по обслуживанию или ремонту все загрязненные элементы, удовлетворительная очистка которых невозможна, следует утилизировать. Такие элементы следует сложить в непроницаемые мешки в соответствии с действующими положениями об утилизации таких отходов.
 26. **ЗАПАСНЫЕ ЧАСТИ.** Во время обслуживания используйте для замены только аналогичные детали.
 27. **ХРАНЕНИЕ ПЫЛЕСОСА.** Если пылесос не используется, храните его в помещении.
 28. Перед помещением на хранение влажные фильтры и внутреннюю часть контейнера с жидкостью необходимо высушить.
 29. Берегите пылесос. Небрежная эксплуатация может привести к поломке даже самого прочного пылесоса.
 30. Запрещено использовать для очистки внутренних и внешних поверхностей бензин, растворитель или чистящие химикаты. Это может вызвать появление трещин и обесцвечивание.
 31. Не используйте пылесос в замкнутом пространстве при наличии огнеопасных, взрывоопасных или токсичных паров от масляных красок, растворителей, бензина, некоторых средств защиты от моли и т. п., либо при наличии горючей пыли.
 32. Не используйте это или другие устройства в состоянии алкогольного или наркотического опьянения.
 33. Одним из основных правил техники безопасности является использование защитных очков с боковыми щитками.
 34. Во время работы в запыленной зоне используйте респиратор.
 35. Это устройство не предназначено для использования лицами (включая детей) с ограниченными физическими, сенсорными или умственными способностями, а также не имеющими надлежащего опыта и знаний.
 36. Следите за маленькими детьми, чтобы они не использовали пылесос в качестве игрушки.
 37. Запрещено прикасаться к аккумулятору (аккумуляторам) и пылесосу мокрыми руками.
 38. Проявляйте особую осторожность при работе на лестницах.
 39. **Запрещено использовать пылесос в качестве табурета или верстака.** Устройство может упасть и нанести травму.
- Эксплуатация и обслуживание электроинструмента, работающего на аккумуляторе**
1. **Заряжайте аккумулятор только зарядным устройством, указанным изготовителем.** Зарядное устройство, подходящее для одного типа аккумуляторов, может привести к пожару при его использовании с другим аккумуляторным блоком.
 2. **Используйте электроинструмент только с указанными аккумуляторными блоками.** Использование других аккумуляторных блоков может привести к травме или пожару.
 3. **Когда аккумуляторный блок не используется, храните его отдельно от металлических предметов, таких как скрепки, монеты, ключи, гвозди, шурупы или другие небольшие металлические предметы, которые могут привести к закорачиванию контактов аккумуляторного блока между собой.** Короткое замыкание между контактами аккумуляторного блока может привести к ожогам или пожару.
 4. **При неправильном обращении из аккумуляторного блока может потечь жидкость.** Избегайте контакта с ней. В случае контакта с кожей промойте место контакта обильным количеством воды. В случае попадания в глаза обратитесь к врачу. Жидкость из аккумулятора может вызвать раздражение или ожоги.
 5. **Не используйте поврежденные или модифицированные инструменты и аккумуляторные блоки.** Поврежденные или модифицированные аккумуляторы могут работать некорректно, что может привести к пожару, взрыву или травмированию.
 6. **Не подвергайте аккумуляторный блок или инструмент воздействию огня или высокой температуры.** Воздействие огня или температуры выше 130 °C может привести к взрыву.
 7. **Следуйте всем инструкциям по зарядке и не заряжайте аккумуляторный блок или инструмент при температурных условиях, выходящих за пределы диапазона, указанного в инструкции.** Зарядка ненадлежащим образом или при температурных условиях, выходящих за пределы указанного диапазона, может привести к повреждению батареи и повысить риск пожара.

СОХРАНИТЕ ДАННЫЕ ИНСТРУКЦИИ.

▲ОСТОРОЖНО: НЕ ДОПУСКАЙТЕ, чтобы удобство или опыт эксплуатации данного устройства (полученный от многократного использования) доминировали над строгим соблюдением правил техники безопасности при обращении с этим устройством. **НЕПРАВИЛЬНОЕ ИСПОЛЬЗОВАНИЕ** инструмента или несоблюдение правил техники безопасности, указанных в данном руководстве, может привести к тяжелой травме.

Важные правила техники безопасности для работы с аккумуляторным блоком

1. Перед использованием аккумуляторного блока прочитайте все инструкции и предупредительные надписи на (1) зарядном устройстве, (2) аккумуляторном блоке и (3) инструменте, работающем от аккумуляторного блока.
2. Не разбирайте блок аккумулятора и не меняйте его конструкцию. Это может привести к пожару, перегреву или взрыву.
3. Если время работы аккумуляторного блока значительно сократилось, немедленно прекратите работу. В противном случае, может возникнуть перегрев блока, что приведет к ожогам и даже к взрыву.
4. В случае попадания электролита в глаза промойте их обильным количеством чистой воды и немедленно обратитесь к врачу. Это может привести к потере зрения.
5. Не замыкайте контакты аккумуляторного блока между собой:
 - (1) Не прикасайтесь к контактам какими-либо токопроводящими предметами.
 - (2) Не храните аккумуляторный блок в контейнере вместе с другими металлическими предметами, такими как гвозди, монеты и т. п.
 - (3) Не допускайте попадания на аккумуляторный блок воды или дождя.

Замыкание контактов аккумуляторного блока между собой может привести к возникновению большого тока, перегреву, возможному ожогу и даже поломке блока.

6. Не храните и не используйте инструмент и аккумуляторный блок в местах, где температура может достигать или превышать 50 °C (122 °F).
7. Не бросайте аккумуляторный блок в огонь, даже если он сильно поврежден или полностью вышел из строя. Аккумуляторный блок может взорваться под действием огня.
8. Запрещено вбивать гвозди в блок аккумулятора, резать, ломать, бросать, ронять блок аккумулятора или ударять его твердым предметом. Это может привести к пожару, перегреву или взрыву.
9. Не используйте поврежденный аккумуляторный блок.
10. Входящие в комплект литий-ионные аккумуляторы должны эксплуатироваться в соответствии с требованиями законодательства об опасных товарах.

При коммерческой транспортировке, например, третьей стороной или экспедитором, необходимо нанести на упаковку специальные предупреждения и маркировку.

В процессе подготовки устройства к отправке обязательно проконсультируйтесь со специалистом по опасным материалам. Также соблюдайте местные требования и нормы. Они могут быть строже.

Закройте или закрепите разомкнутые контакты и упакуйте аккумулятор так, чтобы он не перемещался по упаковке.

11. Для утилизации блока аккумулятора извлеките его из инструмента и утилизируйте безопасным способом. Выполняйте требования местного законодательства по утилизации аккумуляторного блока.
12. Используйте аккумуляторы только с продукцией, указанной Makita. Установка аккумуляторов на продукцию, не соответствующую требованиям, может привести к пожару, перегреву, взрыву или утечке электролита.
13. Если инструментом не будут пользоваться в течение длительного периода времени, извлеките аккумулятор из инструмента.
14. Во время и после использования блок аккумулятора может нагреваться, что может стать причиной ожогов или низкотемпературных ожогов. Будьте осторожны при обращении с горячим блоком аккумулятора.
15. Не прикасайтесь к контактам инструмента сразу после использования, поскольку они могут быть достаточно горячими, чтобы вызвать ожоги.
16. Не допускайте налипания на контакты, отверстия и пазы блока аккумулятора опилок, пыли или земли. Это может стать причиной перегрева, возгорания, взрыва или неисправности инструмента или блока аккумулятора, что может привести к ожогу или травмам.
17. Если инструмент не рассчитан на использование вблизи высоковольтных линий электропередач, не используйте блок аккумулятора вблизи высоковольтных линий электропередач. Это может привести к неисправности, поломке инструмента или блока аккумулятора.
18. Храните аккумулятор в недоступном для детей месте.

СОХРАНИТЕ ДАННЫЕ ИНСТРУКЦИИ.

▲ВНИМАНИЕ: Используйте только фирменные аккумуляторные батареи Makita. Использование аккумуляторных батарей, не произведенных Makita, или батарей, которые были подвергнуты модификациям, может привести к взрыву аккумулятора, пожару, травмам и повреждению имущества. Это также автоматически аннулирует гарантию Makita на инструмент и зарядное устройство Makita.

Советы по обеспечению максимального срока службы аккумулятора

1. Заряжайте блок аккумуляторов перед его полной разрядкой. Обязательно прекратите работу с инструментом и зарядите блок аккумуляторов, если вы заметили снижение мощности инструмента.
2. Никогда не подзаряжайте полностью заряженный блок аккумуляторов. Перезарядка сокращает срок службы аккумулятора.

3. Заряжайте блок аккумуляторов при комнатной температуре в 10 - 40 °C (50 - 104 °F). Перед зарядкой горячего блока аккумуляторов дайте ему остыть.
4. Если блок аккумулятора не используется, извлеките его из инструмента или зарядного устройства.
5. Зарядите ионно-литиевый аккумуляторный блок, если вы не будете пользоваться инструментом длительное время (более шести месяцев).
16. Не нажимайте слишком сильно кнопку активации на беспроводном блоке и/или не нажимайте кнопку, используя объекты с острым краем.
17. Во время работы обязательно закрывайте крышку гнезда.
18. Не вытаскивайте беспроводной блок из гнезда, если на инструмент подано питание. Это может привести к неисправной работе беспроводного блока.
19. Не снимайте наклейку с беспроводного блока.
20. Не приклеивайте к беспроводному блоку никаких наклеек.
21. Не оставляйте беспроводной блок в таких местах, где может скапливаться статическое электричество или присутствовать электрические помехи.

Важные правила техники безопасности для работы с беспроводным блоком

1. Ни в коем случае не открывайте крышку гнезда самостоятельно при установке беспроводного блока.
2. Не разбирайте и не меняйте конструкцию беспроводного блока.
3. Храните беспроводной блок в недоступном для детей месте. При случайном проглатывании немедленно обратитесь к врачу.
4. Используйте беспроводной блок только с инструментами Makita.
5. Не подвергайте беспроводной блок воздействию дождя или влаги.
6. Не используйте беспроводной блок в тех местах, где температура превышает 50 °C.
7. Не используйте беспроводной блок в тех местах, где поблизости могут находиться медицинские инструменты, например, кардиостимуляторы.
8. Не используйте беспроводной блок в тех местах, где могут находиться автоматизированные устройства. При использовании автоматизированных устройств могут возникнуть сбои или ошибки.
9. Не используйте беспроводной блок в местах, где он может подвергаться воздействию высокой температуры, статического электричества или электрических помех.
10. Беспроводной блок может создавать электромагнитные поля (EMF), которые не представляют опасности для пользователя.
11. Беспроводной блок является точным инструментом. Не роняйте и не ударяйте беспроводной блок.
12. Не прикасайтесь к клемме беспроводного блока голыми руками или металлическими предметами.
13. Во время установки беспроводного блока обязательно вытаскивайте аккумулятор из устройства.
14. Не открывайте крышку гнезда в таких местах, где в него может попасть пыль и вода. Входное отверстие гнезда всегда должно быть чистым.
15. Обязательно вставляйте беспроводной блок в правильном направлении.
22. Не оставляйте беспроводной блок в местах с высокой температурой, например на сиденье автомобиля в жару.
23. Не оставляйте беспроводной блок в местах, где присутствует пыль или порошок, или может образоваться коррозионный газ.
24. Внезапное изменение температуры может привести к образованию конденсата на беспроводном блоке. Не используйте беспроводной блок до тех пор, пока конденсат полностью не высохнет.
25. При чистке беспроводного блока аккуратно протрите его сухой мягкой тканью. Не используйте бензин, разбавитель, проводящую смазку или аналогичные материалы.
26. При хранении беспроводного блока поместите его в поставляемый футляр или в контейнер без статического электричества.
27. Не вставляйте в гнездо на инструменте никаких других устройств, кроме беспроводного блока Makita.
28. Не используйте инструмент с поврежденной крышкой гнезда. В гнездо может попасть вода, пыль и грязь, это может привести к неисправности.
29. Не тяните и/или не скручивайте крышку гнезда сильнее, чем это необходимо. Если крышка отсоединилась от инструмента, установите ее на место.
30. Замените крышку гнезда, если она утеряна или повреждена.

СОХРАНИТЕ ДАННЫЕ ИНСТРУКЦИИ.

ОПИСАНИЕ РАБОТЫ

ВНИМАНИЕ: Перед регулировкой или проверкой функций устройства обязательно убедитесь, что оно выключено и блоки аккумуляторов сняты.

Установка или снятие блока аккумуляторов

ВНИМАНИЕ: Обязательно выключайте инструмент перед установкой и извлечением блока аккумулятора.

ВНИМАНИЕ: При установке и извлечении блока аккумулятора крепко удерживайте пылесос и блок аккумулятора. Если не соблюдать это требование, они могут выскользнуть из рук, что приведет к повреждению пылесоса и блока аккумулятора, а также травмированию оператора.

ВНИМАНИЕ: Соблюдайте осторожность, чтобы не прищемить пальцы при открытии и закрытии крышки отсека аккумулятора. Несоблюдение этого требования может стать причиной травмы.

Для установки блока аккумулятора освободите фиксатор и откройте крышку отсека аккумулятора. После этого вставьте блок аккумулятора.

► **Рис.1:** 1. Зафиксируйте 2. Крышка отсека аккумулятора

Совместите выступ блока аккумулятора с пазом в корпусе и задвиньте его на место. Устанавливайте блок до упора так, чтобы он зафиксировался на месте с небольшим щелчком. Затем зафиксируйте крышку отсека аккумулятора.

► **Рис.2:** 1. Блок аккумулятора 2. Кнопка

Для снятия блока аккумулятора извлеките его из инструмента, нажав на кнопку на лицевой стороне блока аккумулятора.

ВНИМАНИЕ: Обязательно устанавливайте блок аккумулятора полностью. В противном случае он может случайно выпасть из пылесоса, причинив травму вам или кому-либо из окружающих.

















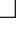

ВНИМАНИЕ: Не прилагайте чрезмерных усилий при установке аккумуляторного блока. Если блок не двигается свободно, значит он вставлен неправильно.

ПРИМЕЧАНИЕ: Пылесос не будет работать с одним блоком аккумулятора.

Индикация оставшегося заряда аккумулятора

Нажмите кнопку проверки на аккумуляторном блоке для проверки заряда. Индикаторы загорятся на несколько секунд.

► **Рис.3:** 1. Индикаторы 2. Кнопка проверки

Индикаторы			Уровень заряда
 Горит	 Выкл.	 Мигает	
			от 75 до 100%
			от 50 до 75%
			от 25 до 50%
			от 0 до 25%
			Зарядите аккумуляторную батарею.
			Возможно, аккумуляторная батарея неисправна.
			

ПРИМЕЧАНИЕ: В зависимости от условий эксплуатации и температуры окружающего воздуха индикация может незначительно отличаться от фактического значения.








ПРИМЕЧАНИЕ: Первая (дальняя левая) индикаторная лампа будет мигать во время работы защитной системы аккумулятора.

Индикаторы аккумуляторов на панели управления

Уровень заряда аккумуляторов можно проверить в любой момент на панели управления. Нажмите кнопку проверки, и правый и левый индикаторы покажут уровень заряда соответствующих аккумуляторов.

► **Рис.4:** 1. Левый индикатор аккумулятора
2. Правый индикатор аккумулятора
3. Кнопка проверки

► **Рис.5**

Состояние индикатора аккумуляторной батареи			Уровень заряда аккумулятора
 Вкл.	 Выкл.	 Мигает	
			от 50 до 100%
			от 20 до 50%
			от 0 до 20%
			Зарядите аккумулятор
			Аккумулятор не вставлен

ПРИМЕЧАНИЕ: Индикатор аккумулятора работает при двух вставленных аккумуляторах.

ПРИМЕЧАНИЕ: Индикаторы аккумулятора также активируются в момент начала работы пылесоса.

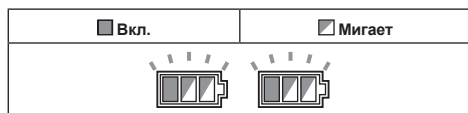
Система защиты устройства / аккумулятора

Устройство оснащено системой защиты устройства / аккумулятора. Эта система автоматически отключает питание двигателя для продления срока службы устройства и аккумулятора. Устройство автоматически прекратит работу в указанных далее случаях, влияющих на работу самого устройства или аккумулятора.

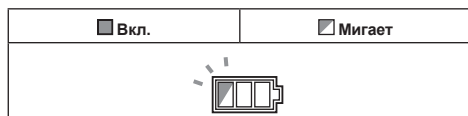
Защита от перегрузки

Если используемый режим работы устройства/аккумулятора приводит к возникновению слишком большого тока, происходит автоматическая остановка устройства. В этом случае выключите устройство и прекратите работу, из-за которой произошла перегрузка. Затем включите устройство для перезапуска.

Защита от перегрева



В случае перегрева устройства оно автоматически прекращает работу, а левый и правый индикаторы аккумулятора начинают мигать. В этом случае дайте устройству остыть и очистите фильтры, прежде чем включать устройство снова.



При перегреве аккумулятора устройство автоматически останавливается, а индикатор перегревшегося аккумулятора начинает мигать. В этом случае дайте аккумулятору остыть, прежде чем включать устройство снова.

Защита от переразрядки

При истощении заряда аккумулятора устройство автоматически останавливается. Если устройство не работает после нажатия выключателя, извлеките аккумуляторы из инструмента и зарядите их.

Защита от других неполадок

Система защиты также обеспечивает защиту от других неполадок, способных повредить устройство, и обеспечивает автоматическую остановку устройства. В случае временной остановки или прекращения работы устройства выполните все перечисленные ниже действия для устранения причины остановки.

1. Выключите и снова включите устройство для его перезапуска.
2. Зарядите аккумулятор(ы) или замените его(их) заряженным(и).

3. Дайте устройству и аккумулятору (аккумуляторам) остыть.

Если после возврата системы защиты в исходное состояние ситуация не изменится, обратитесь в сервисный центр Makita.

Действие выключателя

Включение пылесоса

1. Установите переключатель режима ожидания в положение "I" (ВКЛ.) или "AUTO" (ВКЛ.), чтобы перевести пылесос в режим ожидания.
2. Нажмите кнопку питания. Чтобы вновь переключиться в режим ожидания, нажмите кнопку питания еще раз.

Выключение пылесоса

Выполните одно из описанных ниже действий.

- Нажмите кнопку питания для возвращения пылесоса в режим ожидания.
- Установите переключатель режима ожидания в положение "O" (ВЫКЛ.).

Регулировка мощности всасывания

Мощность всасывания можно регулировать в зависимости от потребностей.

- Чтобы уменьшить силу всасывания, поверните регулятор силы всасывания влево.
- Чтобы увеличить силу всасывания, поверните регулятор силы всасывания вправо.

Выбор диаметра шланга

Установите ручку регулятора выбора диаметра шланга на значение диаметра шланга, который намереваетесь использовать.

ПРИМЕЧАНИЕ: Не устанавливайте ручку регулятора в зазор между цифрами. Обязательно устанавливайте ручку регулятора в соответствии с диаметром шланга.

- **Рис.6:** 1. Выключатель режима ожидания 2. Регулятор силы всасывания 3. Ручка регулятора выбора диаметра шланга 4. Кнопка питания

ПРИМЕЧАНИЕ: Если пылесос не планируется использовать в течение длительного времени, переключатель режима ожидания должен быть обязательно установлен со стороны значка "O". Находясь в состоянии ожидания, пылесос потребляет электроэнергию.

Предупреждающий сигнал

Существуют два типа звуковой сигнализации. Один из них представляет собой короткий звуковой сигнал, а другой — непрерывный звуковой сигнал.

- Когда скорость воздушного потока падает ниже 20 м/с, пылесос издает короткие предупредительные звуковые сигналы в целях безопасности. Услышав такие сигналы, проверьте, правильно ли установлена ручка регулятора диаметра шланга и не является ли сила всасывания слишком малой. Если сигналы продолжают звучать, выполните техническое обслуживание или обратитесь в ближайший сервисный центр.
- При заполнении контейнера жидкостью пылесос издает непрерывный предупредительный сигнал и автоматически останавливается. После остановки пылесоса выключите пылесос и вылейте жидкость из контейнера.

Автоматическое прекращение работы во время всасывания влажной пыли

⚠ ОСТОРОЖНО: Не используйте пылесос для сбора пены или мыльной жидкости. Это может привести к выходу пены из воздухоотводного отверстия. Непрерывное использование в таких условиях может привести к поражению электрическим током и выходу пылесоса из строя.

Пылесос имеет механизм, препятствующий проникновению воды в двигатель при всасывании больше определенного количества воды.

При заполнении контейнера жидкостью пылесос издает непрерывный предупредительный сигнал и автоматически останавливается. После остановки пылесоса выключите пылесос и вылейте жидкость из контейнера.

Система очистки фильтра

В данном устройстве установлена система очистки фильтра. Во время использования устройства система очистки фильтра автоматически удаляет пыль из фильтров, чтобы предотвратить снижение всасывающей силы в результате засорения фильтров.

В случае одновременного всасывания устройством большого количества пыли возможно уменьшение всасывающей силы. В этом случае рекомендуется произвести очистку фильтра вручную.

1. Выключите устройство.
2. Установите мощность всасывания на максимум, а затем закройте отверстие всасывающего шланга ладонью.
3. Включите устройство и дайте ему поработать около 15 секунд с перекрытым отверстием всасывающего шланга.

► **Рис.7:** 1. Отверстие всасывающего шланга

ПРИМЕЧАНИЕ: При активации системы очистки возможно изменение объема воздуха, что не является неисправностью.

Слив воды

При заполнении контейнера жидкостью выключите пылесос и откройте крышку водосливного отверстия для опорожнения контейнера.

► **Рис.8:** 1. Крышка сливного отверстия

Крышка

Крышка поставляется в комплекте с устройством. Установка крышки в отверстие для подсоединения шланга препятствует выходу всасываемой пыли из пылесоса.

► **Рис.9:** 1. Крышка

Блокировка и разблокирование роликов

Передние ролики могут блокироваться стопорами, помогая удерживать пылесос неподвижным. Опустите ручную рычаг ограничителя, чтобы заблокировать ролик, или поднимите его, чтобы снять блокировку.

- **Рис.10:** 1. Ролик 2. Рычаг ограничителя
3. Положение FREE (Разблокировано)
4. Положение LOCK (Заблокировано)

ПРИМЕЧАНИЕ: При перемещении пылесоса убедитесь, что ролик разблокирован. Перемещение пылесоса с заблокированным роликом может привести к повреждению ролика.

Рукоятка для переноски

⚠ ВНИМАНИЕ: Соблюдайте осторожность при подъеме и переноске пылесоса. Несоблюдение этого требования может привести к травме или повреждению устройства.

При переноске пылесоса удерживайте его за рукоятку на верхнем блоке. Если рукоятка не используется, ее можно сложить в верхний блок.

► **Рис.11**

В случае возникновения трудностей с переносом устройства в одиночку переносите его вдвоем, как показано на рисунке.

► **Рис.12**

► **Рис.13**

СБОРКА

⚠ ОСТОРОЖНО: Данное устройство может содержать опасную пыль. При замене фильтрующих элементов и пылесборного мешка или проведении технического обслуживания обязательно используйте респиратор класса P2.

⚠ ВНИМАНИЕ: Перед выполнением каких-либо работ с устройством обязательно убедитесь в том, что оно выключено и блоки аккумуляторов извлечены из устройства.

Установка и удаление мешочного фильтра

⚠ ОСТОРОЖНО: Обязательно используйте респиратор класса P2.

⚠ ОСТОРОЖНО: Перед использованием мешочного фильтра убедитесь в том, что вместе с ним используется фильтрующий блок. Неиспользование одновременно фильтрующего блока может вызвать необычный шум и нагрев, приводящий к возгоранию.

⚠ ОСТОРОЖНО: При использовании данного устройства по классу M следует обязательно использовать мешочный фильтр.

ПРИМЕЧАНИЕ: Ни в коем случае не собирайте воду или другие жидкости при использовании мешочного фильтра. Их всасывание может привести к разрыву мешочного фильтра.

1. Отстегните фиксирующие крючки и поднимите головной блок над контейнером.

► **Рис.14:** 1. Фиксирующий крюк

2. Разверните мешочный фильтр.

3. Совместите отверстие мешочного фильтра с пылезборным отверстием контейнера.

4. Насадите картонную вставку мешочного фильтра на инструмент таким образом, чтобы она располагалась в конце за выступом фиксатора.

► **Рис.15:** 1. Мешочный фильтр 2. Картонная панель с отверстием 3. Держатель мешочного фильтра 4. Входное отверстие для пыли 5. Кромка

При удалении мешочного фильтра потяните за кромку на входе мешочного фильтра таким образом, чтобы его входное отверстие закрылось бумагой.

Установка полиэтиленового мешка

Дополнительные принадлежности

Разложите полиэтиленовый мешок в баке и вставьте верхний край мешка с одной стороны между стопорной пластиной и передней стенкой бака.

Затем вытяните другие верхние кромки мешка наружу над верхними ободками контейнера. Вместе с мешочным фильтром может использоваться полиэтиленовый мешок.

► **Рис.16:** 1. Стопорная пластина 2. Передняя стенка бака 3. Полиэтиленовый мешок

ПРИМЕЧАНИЕ: Для этой цели может использоваться полиэтиленовый мешок, имеющийся в продаже. Рекомендуется использовать мешок толщиной более 0,04 мм и периметром более 2 000 мм.

ПРИМЕЧАНИЕ: Полиэтиленовый мешок легко рвется от слишком большого количества пыли, поэтому не переполняйте мешок. Выбрасывание тяжелого мешка может быть обременительным для организма человека.

Опорожнение бака с полиэтиленовым мешком

⚠ ОСТОРОЖНО: Прежде чем опорожнить бак, убедитесь в том, что пылесос выключен и блоки аккумуляторов извлечены. Несоблюдение этого требования может стать причиной поражения электрическим током и тяжелых травм.

ПРИМЕЧАНИЕ: Опорожняйте бак не реже одного раза в день, хотя это определяется объемом пыли в баке. В противном случае мощность всасывания снизится, и электромотор может выйти из строя.

ПРИМЕЧАНИЕ: Не беритесь за фиксирующие крючки при опорожнении контейнера. Цепляние за фиксирующие крючки может привести к их поломке.

1. Отстегните фиксирующие крючки и поднимите головной блок над контейнером.

2. Выньте полиэтиленовый мешок из контейнера, закрывая открытую сторону мешка рукой.

► **Рис.17:** 1. Полиэтиленовый мешок 2. Контейнер

ПРИМЕЧАНИЕ: Вынимайте полиэтиленовый мешок из бака осторожно, чтобы не порвать его, зацепившись за выступы бака.

ПРИМЕЧАНИЕ: Опорожните полиэтиленовый пакет, прежде чем он заполнится полностью. Слишком большое количество пыли в баке может привести к разрыву пакета.

Установка шланга

ПРИМЕЧАНИЕ: Запрещается сильно сгибать шланг и наступать на него. Запрещается тянуть пылесос за шланг. Наступив на шланг, потянув за него или приложив к нему чрезмерные усилия, можно повредить или деформировать шланг.

ПРИМЕЧАНИЕ: При сборе крупного мусора, например стружки, цементной пыли и т.п., используйте шланг с внутренним диаметром 38 мм (дополнительное оборудование). При использовании шланга с внутренним диаметром 28 мм (дополнительное оборудование) возможно его засорение и повреждение.

ПРИМЕЧАНИЕ: Каждый раз при отсоединении шланга от пылесоса обязательно надевайте крышку на крепежное отверстие.

Присоединение к пылесосу

Снимите крышку с крепежного отверстия. Крышку можно хранить с тыльной стороны пылесоса, пока шланг подсоединен к пылесосу.

► **Рис.18:** 1. Крышка

Вставьте конец шланга во входное отверстие для пыли (входное отверстие для шланга) пылесоса и поверните его по часовой стрелке до фиксации.

► **Рис.19:** 1. Шланг 2. Входное отверстие для пыли (входное отверстие для шланга)

Соединение с рабочими инструментами (в зависимости от страны)

Присоединив пылесос к совместимым электроинструментам, его можно использовать для удаления пыли при работе с этими инструментами.

Выберите передний патрубок или муфту (дополнительные принадлежности), наиболее подходящие для используемой модели инструмента. Если необходимо, установите патрубок или муфту между передним концом шланга пылесоса и отверстием для удаления пыли инструмента.

- **Рис.20:** 1. Передний патрубок или муфта 2. Шланг пылесоса
3. Электроинструмент 4. Пылесос

Установка или удаление насадок пылесоса

ВНИМАНИЕ: После установки насадки убедитесь в надежности ее крепления. При неправильной установке насадки она может соскочить и нанести травму.

При использовании насадки без фиксации

Дополнительные принадлежности

Вставьте насадку во всасывающее отверстие пылесоса и вкрутите ее вручную.

После использования открутите насадку вручную и вытащите ее из всасывающего отверстия.

- **Рис.21**

Установка кейсов МАКРАС

Дополнительные принадлежности

ВНИМАНИЕ: Не вставляйте и не садитесь сверху на устройство. Это может привести к его падению из-за потери устойчивости.

ВНИМАНИЕ: Будьте осторожны при установке кейсов МАКРАС. Несоблюдение данной рекомендации может привести к получению травмы или повреждению устройства.

ВНИМАНИЕ: Если на устройстве установлен кейс МАКРАС, не поднимайте устройство за ручку кейса МАКРАС.

ВНИМАНИЕ: При перемещении устройства с установленным кейсом МАКРАС следует толкать не кейс МАКРАС, а корпус устройства. При толкании кейса МАКРАС можно сломать защелки и уронить кейс МАКРАС, что может привести к получению травмы.

Поверх пылесоса могут устанавливаться подсоединяемые и штабелируемые кейсы для хранения принадлежностей МАКРАС. Предлагаемые кейсы имеют различные размеры и конструкции для удовлетворения предпочтений пользователя.

1. Раскройте защелки на верхней поверхности пылесоса.

- **Рис.22:** 1. Защелка

2. Установите кейсы МАКРАС поверх пылесоса и зафиксируйте их защелками.

- **Рис.23:** 1. Защелка 2. Кейс МАКРАС

Максимальная высота и масса устанавливаемых кейсов МАКРАС составляет 315 мм и 20 кг соответственно.

- **Рис.24**

ЭКСПЛУАТАЦИЯ

ОСТОРОЖНО: Обязательно используйте респиратор Р2.

ВНИМАНИЕ: Если из инструмента выходит пена или жидкость, его следует немедленно выключить. Его дальнейшее использование в этом состоянии может привести к поражению электрическим током и выходу пылесоса из строя.

ФУНКЦИЯ БЕСПРОВОДНОЙ АКТИВАЦИИ

Дополнительные принадлежности

Что позволяет делать функция беспроводной активации

Функция беспроводной активации обеспечивает беспрепятственную и удобную работу. Подключив к пылесосу поддерживаемый инструмент, пылесос можно запускать автоматически, используя переключатель инструмента.

- **Рис.25**

ПРИМЕЧАНИЕ: Во время использования пылесоса с функцией беспроводной активации соблюдайте инструкции, указанные в руководстве по эксплуатации.

ПРИМЕЧАНИЕ: Не разбирайте и не меняйте конструкцию беспроводного блока.

ПРИМЕЧАНИЕ: Для предотвращения попадания пыли в гнездо беспроводного блока плотно закрывайте крышку во время работы и хранения.

ПРИМЕЧАНИЕ: Не нажимайте слишком сильно кнопку беспроводной активации и/или не нажимайте кнопку, используя объекты с острым краем.

ПРИМЕЧАНИЕ: Для использования беспроводной активации инструменты Makita должны быть оснащены беспроводным блоком.

ПРИМЕЧАНИЕ: Перед начальным использованием функции беспроводной активации необходимо выполнить регистрацию каждого инструмента. После выполнения регистрации инструмента повторная регистрация требуется только в том случае, если она была отменена.

ПРИМЕЧАНИЕ: Перед регистрацией убедитесь в том, что беспроводной блок надежно установлен.

ПРИМЕЧАНИЕ: На один беспроводной блок можно зарегистрировать до 10 соединений с другими беспроводными блоками. Если на один беспроводной блок зарегистрировано более 10 других беспроводных блоков, зарегистрированный первым блок будет отменен автоматически.

ПРИМЕЧАНИЕ: Положение кнопки беспроводной активации различается в зависимости от инструмента.

ПРИМЕЧАНИЕ: Пылесос запускается нажатием кнопки питания, когда выключатель режима ожидания установлен в положение «АУТО» (автоматический). Однако кнопка питания не сработает, если используется функция беспроводной активации.

Установка беспроводного блока

⚠ ОСТОРОЖНО: Откройте крышку, только если устанавливаете беспроводной блок в первый раз. Ни в коем случае не открывайте крышку после его установки.

⚠ ВНИМАНИЕ: При установке беспроводного блока поместите пылесос на ровную и устойчивую поверхность.

ПРИМЕЧАНИЕ: Перед началом установки беспроводного блока удалите пыль и грязь с пылесоса. Если пыль или грязь попадет в гнездо беспроводного блока, это может привести к неисправности.

ПРИМЕЧАНИЕ: Во избежание сбоев в результате воздействия статического электричества, прежде чем поднимать беспроводной блок, прикоснитесь к материалу, позволяющему снять статический разряд, например к металлической части.

ПРИМЕЧАНИЕ: При установке беспроводного блока всегда следите за тем, чтобы беспроводной блок был вставлен в правильном направлении, и крышка была полностью закрыта.

1. Ослабьте винт, чтобы открыть крышку на пылесосе, как показано на рисунке.
► **Рис.26:** 1. Крышка 2. Винт

2. Вставьте беспроводной блок в гнездо.
При вставке беспроводного блока выровняйте выступы с углубленными участками в гнезде.
► **Рис.27:** 1. Беспроводной блок 2. Защита 3. Крышка 4. Углубленный участок

3. Затяните винт до упора, чтобы закрыть крышку.

Регистрация инструмента для пылесоса

ПРИМЕЧАНИЕ: Для регистрации инструмента необходим инструмент Makita, поддерживающий функцию беспроводной активации.

ПРИМЕЧАНИЕ: Перед началом регистрации инструмента завершите установку беспроводного блока в инструмент.

ПРИМЕЧАНИЕ: Во время регистрации инструмента не тяните за триггерный переключатель инструмента и не включайте переключатель питания на пылесосе.

ПРИМЕЧАНИЕ: См. также руководство по эксплуатации инструмента.

Если необходимо активировать пылесос одновременно с переключением инструмента, сначала завершите регистрацию инструмента.

1. Установите беспроводные блоки в пылесос и инструмент соответственно.
2. Установите аккумуляторы в пылесос и инструмент.
3. Установите выключатель режима ожидания на пылесосе в положение «АУТО» (автоматический).
► **Рис.28:** 1. Выключатель режима ожидания

4. Нажмите и удерживайте кнопку беспроводной активации на пылесосе в течение 3 секунд, пока лампа беспроводной активации не замигает зеленым цветом. Затем таким же образом нажмите кнопку беспроводной активации на инструменте.
► **Рис.29:** 1. Кнопка беспроводной активации 2. Лампа беспроводной активации

Если пылесос и инструмент надежно соединены друг с другом, то лампы беспроводной активации будут гореть зеленым светом в течение 2 секунд, затем начнут мигать синим цветом.

ПРИМЕЧАНИЕ: Через 20 секунд лампы беспроводной активации связи закончат мигать зеленым цветом. Если на пылесосе мигает лампа беспроводной активации, нажмите кнопку беспроводной активации на инструменте. Если лампа беспроводной активации не мигает зеленым цветом, нажмите кнопку беспроводной активации на короткое время, а затем снова удерживайте ее.

ПРИМЕЧАНИЕ: При выполнении двух или более регистраций инструмента для пылесоса завершите регистрацию инструмента одну за другой.

Запуск функции беспроводной активации

ПРИМЕЧАНИЕ: Для беспроводной активации завершите регистрацию инструмента для пылесоса.

ПРИМЕЧАНИЕ: Всегда размещайте пылесос так, чтобы можно было видеть состояние лампы беспроводной активации.

ПРИМЕЧАНИЕ: См. также руководство по эксплуатации инструмента.

После регистрации инструмента для пылесоса можно использовать переключатель инструмента для автоматического запуска пылесоса.

1. Установите беспроводные блоки в пылесос и инструмент соответственно.
2. Установите аккумуляторы в пылесос и инструмент.

3. Подсоедините шланг пылесоса к инструменту.
► **Рис.30**

4. Установите выключатель режима ожидания на пылесосе в положение «АUTO» (автоматический).

► **Рис.31:** 1. Выключатель режима ожидания

5. На короткое время нажмите кнопку беспроводной активации на инструменте. Лампа беспроводной активации мигает синим цветом.

► **Рис.32:** 1. Кнопка беспроводной активации
2. Лампа беспроводной активации

6. Включите инструмент. Проверьте, работает ли пылесос во время работы инструмента.

ВНИМАНИЕ: Перед началом работы с инструментом убедитесь в том, что функция беспроводной активации работает.

Для отключения беспроводной активации нажмите кнопку беспроводной активации на инструменте или переведите выключатель режима ожидания на пылесосе в положение "I" или "O".

ПРИМЕЧАНИЕ: Если в течение 2 часов не будет выполняться никаких действий, то лампа беспроводной активации на инструменте перестанет мигать синим цветом. В этом случае установите выключатель режима ожидания на пылесосе в положение «АUTO» (автоматический) и снова нажмите кнопку беспроводной активации на инструменте.

ПРИМЕЧАНИЕ: Пылесос запускается/останавливается с задержкой. Когда пылесос обнаруживает переключение выключателя инструмента, возникает временная задержка.

ПРИМЕЧАНИЕ: Дальность передачи беспроводного блока может варьироваться в зависимости от местоположения и окружающих предметов.

ПРИМЕЧАНИЕ: Если за одним пылесосом закреплено два или несколько инструментов, то пылесос может начать работать, даже если вы не включаете инструмент, поскольку другой пользователь использует функцию беспроводной активации.

Отмена регистрации инструмента для пылесоса

При отмене регистрации инструмента для пылесоса выполните следующую процедуру.

1. Установите беспроводные блоки в пылесос и инструмент соответственно.
2. Установите аккумуляторы в пылесос и инструмент.
3. Установите выключатель режима ожидания на пылесосе в положение «АUTO» (автоматический).

► **Рис.33:** 1. Выключатель режима ожидания

4. Нажмите и удерживайте кнопку беспроводной активации на пылесосе в течение 6 секунд. Лампа беспроводной активации мигает зеленым, а затем переключается на красный цвет. После этого нажмите кнопку беспроводной активации на инструменте таким же образом.

► **Рис.34:** 1. Кнопка беспроводной активации
2. Лампа беспроводной активации

Если отмена выполнена успешно, лампы беспроводной активации загорятся красным цветом на 2 секунды и начнут мигать синим цветом.

ПРИМЕЧАНИЕ: По истечении 20 секунд лампы беспроводной активации прекращают мигать красным цветом. Если на пылесосе мигает лампа беспроводной активации, нажмите кнопку беспроводной активации на инструменте. Если лампа беспроводной активации не мигает красным цветом, нажмите кнопку беспроводной активации на короткое время, а затем снова удерживайте ее.

Удаление всех записей регистрации инструмента

Вы можете удалить все записи регистрации инструмента для пылесоса следующим образом.

► **Рис.35:** 1. Выключатель режима ожидания
2. Кнопка беспроводной активации
3. Лампа беспроводной активации

1. Установите беспроводной блок в пылесос.

2. Установите аккумуляторы в пылесос.

3. Установите выключатель режима ожидания в положение «АUTO» (автоматический).

4. Удерживайте кнопку беспроводной активации в течение приблизительно 6 секунд, пока лампа беспроводной активации не замигает красным цветом (приблизительно дважды в секунду).

5. Когда лампа беспроводной активации начнет мигать красным цветом, отпустите кнопку беспроводной активации. После этого снова удерживайте кнопку беспроводной активации приблизительно 6 секунд.











6. Когда лампа беспроводной активации начнет быстро мигать (приблизительно 5 раз в секунду) красным цветом, отпустите кнопку беспроводной активации. Когда лампа беспроводной активации загорается красным и позже гаснет, это означает, что все записи регистрации удалены.

ПРИМЕЧАНИЕ: Если лампа беспроводной активации не мигает красным цветом, нажмите кнопку беспроводной активации на короткое время и попробуйте снова.

Описание статуса лампы беспроводной активации

- **Рис.36:** 1. Кнопка беспроводной активации
2. Лампа беспроводной активации

Лампа беспроводной активации отображает состояние функции беспроводной активации. Значения состояния лампы см. в таблице ниже.

Состояние	Лампа беспроводной активации				Описание
	Цвет	 Вкл	 Мигает	Продолжительность (приблизительная)	
Ожидание	Синий			Пылесос: постоянно Инструмент: 2 часа	Ожидание регистрации инструмента, или функция беспроводной активации доступна. Лампа на пылесосе мигает, когда выключатель режима ожидания установлен в положение «АУТО» (автоматический). Лампа на инструменте мигает, когда нажата кнопка беспроводной активации. Если в течение 2 часов не будет выполняться никаких операций, лампа на инструменте автоматически выключится.
				Пока инструмент работает.	
Регистрация инструмента	Зеленый			20 секунд	Готовность к регистрации инструмента. Поиск инструмента для регистрации.
				2 секунды	Регистрация инструмента завершена. Лампа беспроводной активации начнет мигать синим цветом.
Отмена/удаление регистрации инструмента	Красный	 (медленно: 2 раза/с)		20 секунд	Готовность к отмене регистрации инструмента. Поиск инструмента для отмены.
		 (быстро: 5 раз/с)		Когда нажата кнопка беспроводной активации.	Готовность удалить все записи регистрации инструментов.
				2 секунды	Регистрация инструмента отменена/удалена. Лампа беспроводной активации начнет мигать синим цветом.
Прочие	Красный			3 секунды	На беспроводной блок подается питание, и запускается функция беспроводной активации.
	Выкл	-		-	Выключатель режима ожидания не установлен в положение «АУТО» (автоматический).

Поиск и устранение неисправностей для функции беспроводной активации

Прежде чем обращаться по поводу ремонта, проведите осмотр самостоятельно. Если обнаружена неисправность, не указанная в руководстве, не пытайтесь разобрать инструмент. Обратитесь в один из авторизованных сервисных центров Makita, в которых для ремонта всегда используются оригинальные детали Makita.

Состояние неисправности	Возможная причина (неисправности)	Способ устранения
Лампа беспроводной активации не горит/мигает.	Беспроводной блок не установлен в пылесос и/или инструмент. Беспроводной блок неправильно установлен в пылесос и/или инструмент.	Правильно установите беспроводной блок.
	Не нажата кнопка беспроводной активации на инструменте.	На короткое время нажмите кнопку беспроводной активации на инструменте.
	Выключатель режима ожидания на пылесосе не установлен в положение «АUTO» (автоматический).	Установите выключатель режима ожидания на пылесосе в положение «АUTO» (автоматический).
	Отсутствует электропитание	Подайте питание на инструмент и пылесос.
Не удается успешно завершить регистрацию/отмену регистрации инструмента.	Беспроводной блок не установлен в пылесос и/или инструмент. Беспроводной блок неправильно установлен в пылесос и/или инструмент.	Правильно установите беспроводной блок.
	Выключатель режима ожидания на пылесосе не установлен в положение «АUTO» (автоматический).	Установите выключатель режима ожидания на пылесосе в положение «АUTO» (автоматический).
	Отсутствует электропитание	Подайте питание на инструмент и пылесос.
	Неверная операция	На короткое время нажмите кнопку беспроводной активации и снова выполните процедуру регистрации/отмены.
	Большое расстояние между инструментом и пылесосом (вне диапазона передачи).	Расположите инструмент и пылесос ближе друг к другу. Максимальное расстояние передачи составляет приблизительно 10 м, однако оно может изменяться в зависимости от обстоятельств.
	Перед завершением регистрации инструмента/отменой; - выключатель инструмента переведен в положение «On» (Вкл.); или - кнопка питания на пылесосе переведена в положение «On» (Вкл.).	На короткое время нажмите кнопку беспроводной активации и снова выполните процедуру регистрации/отмены.
	Процедура регистрации инструмента для инструмента или пылесоса не завершена.	Одновременно выполните процедуры регистрации инструмента для инструмента и для пылесоса.
	Радиопомехи от других приборов, которые генерируют радиоволны высокой интенсивности.	Избегайте эксплуатации инструмента и пылесоса рядом с такими приборами, как устройства Wi-Fi и микроволновые печи.

Состояние неисправности	Возможная причина (неисправности)	Способ устранения
Пылесос не работает при использовании переключателя инструмента.	Беспроводной блок не установлен в пылесос и/или инструмент. Беспроводной блок неправильно установлен в пылесос и/или инструмент.	Правильно установите беспроводной блок.
	Не нажата кнопка беспроводной активации на инструменте.	На короткое время нажмите кнопку беспроводной активации и убедитесь в том, что лампа беспроводной активации мигает синим цветом.
	Выключатель режима ожидания на пылесосе не установлен в положение «АUTO» (автоматический).	Установите выключатель режима ожидания на пылесосе в положение «АUTO» (автоматический).
	В пылесосе зарегистрировано более 10 инструментов.	Выполните повторную регистрацию инструмента. Если в пылесосе зарегистрировано более 10 инструментов, инструмент, зарегистрированный самым первым, будет автоматически отменен.
	Пылесос удалил все записи регистрации инструментов.	Выполните повторную регистрацию инструмента.
	Отсутствует электропитание	Подайте питание на инструмент и пылесос.
	Большое расстояние между инструментом и пылесосом (вне диапазона передачи).	Расположите инструмент и пылесос ближе друг к другу. Максимальное расстояние передачи составляет приблизительно 10 м, однако оно может изменяться в зависимости от обстоятельств.
	Радиопомехи от других приборов, которые генерируют радиоволны высокой интенсивности.	Избегайте эксплуатации инструмента и пылесоса рядом с такими приборами, как устройства Wi-Fi и микроволновые печи.
Пылесос работает в то время, когда инструмент не работает.	Другие пользователи используют беспроводную активацию пылесоса с помощью своих инструментов.	Отключите кнопку беспроводной активации других инструментов или отмените регистрацию инструмента для других инструментов.
Не удается удалить все записи регистрации в пылесосе.	Нажатие кнопки беспроводной активации на инструменте.	Для удаления всех записей регистрации инструментов нажмите кнопку беспроводной активации на пылесосе.
	Выключатель режима ожидания на пылесосе не установлен в положение «АUTO» (автоматический).	Установите выключатель режима ожидания на пылесосе в положение «АUTO» (автоматический).
	Кнопка беспроводной активации удерживается неправильно.	Удерживайте кнопку беспроводной активации более 6 секунд, затем отпустите ее, когда лампа беспроводной активации будет мигать красным цветом. Повторно удерживайте кнопку беспроводной активации более 6 секунд до тех пор, пока она не начнет быстро мигать красным цветом, затем отпустите кнопку.

ОБСЛУЖИВАНИЕ

⚠ ОСТОРОЖНО: При выполнении технического обслуживания обязательно пользуйтесь респиратором класса P2.

⚠ ВНИМАНИЕ: Перед проведением осмотра или технического обслуживания устройства необходимо выключить его и извлечь блоки аккумуляторов.

⚠ ВНИМАНИЕ: Не реже одного раза в год обученным персоналом должен проводиться технический осмотр, включая осмотр фильтров, а также проверку герметичности и механизма управления.

⚠ ВНИМАНИЕ: Во время технического обслуживания необходимо удалить все загрязненные элементы, которые не могут быть очищены до удовлетворительного состояния. Такие элементы могут утилизироваться в непроницаемых мешках, соответствующих нормативным требованиям, действующим в вашей стране.

⚠ ВНИМАНИЕ: После работы в опасной зоне внешняя поверхность инструмента должна быть очищена от загрязнений методами вакуумной очистки и вытерта дочиستا или обработана герметиком до извлечения инструмента из опасной зоны. При извлечении из опасной зоны все части инструмента должны считаться загрязненными с необходимостью принятия соответствующих мер во избежание распространения пыли.

⚠ ВНИМАНИЕ: Заменяйте фильтры при их засорении пылью или возникновении признаков снижения производительности пылесоса.

⚠ ВНИМАНИЕ: Периодически проверяйте состояние фильтров. В случае обнаружения разрыва фильтров их следует немедленно заменить.

ПРИМЕЧАНИЕ: Запрещается использовать бензин, растворители, спирт и другие подобные жидкости. Это может привести к обесцвечиванию, деформации и трещинам.

Для обеспечения БЕЗОПАСНОСТИ и НАДЕЖНОСТИ оборудования ремонт, любое другое техобслуживание или регулировку необходимо производить в уполномоченных сервис-центрах Makita или сервис-центрах предприятия с использованием только сменных частей производства Makita.

Извлечение фильтрующего блока

⚠ ВНИМАНИЕ: Выждите около 5 минут, чтобы пыль в контейнере полностью осела.

⚠ ВНИМАНИЕ: При извлечении фильтрующего блока соблюдайте осторожность, с тем чтобы не допустить проникновения пыли под крышку контейнера.

Фильтрующий блок прикреплен к головному блоку. Он состоит из верхней пластины, фильтров предварительной очистки, демпферов и пылевых фильтров.

1. Отстегните фиксирующие крючки и поднимите головной блок над контейнером.

2. Извлеките фильтрующий блок из головного блока, как показано на рисунке.

► Рис.37: 1. Защелка 2. Фильтрующий блок

Извлечение пылевого фильтра и фильтра предварительной очистки

Поднимите выступ и выньте фильтры из верхней пластины.

► Рис.38: 1. Верхняя пластина 2. Фильтры 3. Выступ

Во избежание перетекания пыли в воздух предпочтительно производить извлечение фильтров в полиэтиленовом мешке.

При переносе фильтрующего блока с целью очистки прочно завяжите полиэтиленовый мешок.

► Рис.39: 1. Фильтрующий блок 2. Полиэтиленовый мешок

► Рис.40: 1. Верхняя пластина 2. Фильтры 3. Полиэтиленовый мешок

Очистка пылевого фильтра, фильтра предварительной очистки и демпфера

Периодически следует производить очистку фильтров и демпфера. Использование засоренных фильтров и демпфера может привести к ухудшению всасывающих характеристик.

Регулярно счищайте накопившуюся пыль с фильтров и демпфера.

Время от времени промывайте пылевой фильтр, фильтр предварительной очистки и демпфер в воде, ополаскивайте и тщательно высушивайте их в тени перед использованием. Ни в коем случае не стирайте их в стиральной машине.

► Рис.41

ПРИМЕЧАНИЕ: Не трите и не скребите пылевой фильтр, фильтр предварительной очистки или демпфер твердыми предметами, такими как щетка или скребок.

ПРИМЕЧАНИЕ: Со временем фильтры изнашиваются. Рекомендуется приобрести запасные фильтры.

Установка пылевого фильтра и фильтра предварительной очистки

ПРИМЕЧАНИЕ: Пылевой фильтр и фильтр предварительной очистки могут собирать как сухую, так и влажную пыль. Во избежание поломки пылевого фильтра убедитесь в том, что датчики уровня воды должным образом активированы.

Зацепите кромки фильтрующего блока за верхнюю пластину, а затем опустите выступ.

► **Рис.42:** 1. Кромка 2. Выступ

ПРИМЕЧАНИЕ: Перед использованием пылевого фильтра убедитесь, что установлены фильтр предварительной очистки и демпфер. Запрещается устанавливать только пылевой фильтр.

Сборка фильтров

При получении фильтров по отдельности соберите их, как показано на рисунке.

► **Рис.43:** 1. Пылевой фильтр 2. Демпфер
3. Фильтр предварительной очистки

Установка фильтрующего блока

После установки фильтров на верхнюю пластину зацепите отверстия фильтрующего блока за U-образные детали внутренней крышки. Затем заблокируйте защелку, как показано на рисунке.

► **Рис.44:** 1. U-образная деталь 2. Отверстие 3. Защелка

Установка водяного фильтра

Дополнительные принадлежности

ПРИМЕЧАНИЕ: При сборе влажной пыли убедитесь в том, что датчики уровня воды должным образом активированы.

ПРИМЕЧАНИЕ: Не пользуйтесь фильтром предварительной очистки и демпфером при использовании водяного фильтра.

Для того чтобы собирать только воду или влажную пыль, удобнее пользоваться водяным фильтром, нежели пылевым фильтром и фильтром предварительной очистки.

При установке водяного фильтра совместите его с верхней пластиной таким же образом, как и пылевой фильтр и фильтр предварительной очистки.

► **Рис.45**

ПРИМЕЧАНИЕ: В случае систематического сбора большого количества воды рекомендуется использовать водяной фильтр. В противном случае, при использовании пылевого фильтра и фильтра предварительной очистки, возможно снижение всасывающей способности.

Очистка датчиков уровня воды

Датчики уровня воды обнаруживают жидкость при заполнении ею контейнера. Периодически очищайте датчики уровня мягкой тканью при замене фильтров.

► **Рис.46:** 1. Датчик уровня воды

Хранение дополнительного оборудования

Неиспользуемые принадлежности и приспособления, в частности насадки, трубы и крышка, могут храниться повешенными на крючок с тыльной стороны пылесоса.

► **Рис.47:** 1. Неиспользуемые принадлежности и приспособления 2. Крышка

Трубы (с установленным дополнительным ограничителем) можно вставить в держатель трубы, если нужно ненадолго прервать работу пылесоса.

► **Рис.48:** 1. Ограничитель (дополнительная принадлежность) 2. Держатель трубы

Шланг можно обернуть вокруг корпуса или рукоятки пылесоса большими витками. Соедините концы шланга между собой, чтобы получились петли, и наденьте эти петли на поднятую рукоятку. Вы также можете не вынимать шланг из входного отверстия для шланга и уложить витки шланга на универсальный держатель, закрепив свободный конец.

► **Рис.49**

► **Рис.50**

ДОПОЛНИТЕЛЬНЫЕ ПРИНАДЛЕЖНОСТИ

ВНИМАНИЕ: Данные принадлежности или приспособления рекомендуются для использования с инструментом Makita, указанным в настоящем руководстве. Использование других принадлежностей или приспособлений может привести к получению травмы. Используйте принадлежность или приспособление только по указанному назначению.

Если вам необходимо содействие в получении дополнительной информации по этим принадлежностям, свяжитесь с вашим сервис-центром Makita.

- Шланг
- Передние патрубki (22, 24, 38)
- Прямая труба
- Угловая насадка
- Круглая щетка
- Пылевой фильтр M, H (HEPA)
- Демпфер
- Фильтр предварительной очистки
- Водяной фильтр
- Патрубок в сборе
- Изогнутая труба
- Полиэтиленовый мешок
- Мешочный фильтр
- Крышка
- Оригинальный аккумулятор и зарядное устройство Makita
- Беспроводной блок
- Кейс МАКРАС

ПРИМЕЧАНИЕ: Некоторые элементы списка могут входить в комплект инструмента в качестве стандартных приспособлений. Они могут отличаться в зависимости от страны.

Makita Europe N.V. Jan-Baptist Vinkstraat 2,
3070 Kortenberg, Belgium

Makita Corporation 3-11-8, Sumiyoshi-cho,
Anjo, Aichi 446-8502 Japan

www.makita.com

885990-981
EN, SV, NO, FI, DA,
LV, LT, ET, RU
20220831