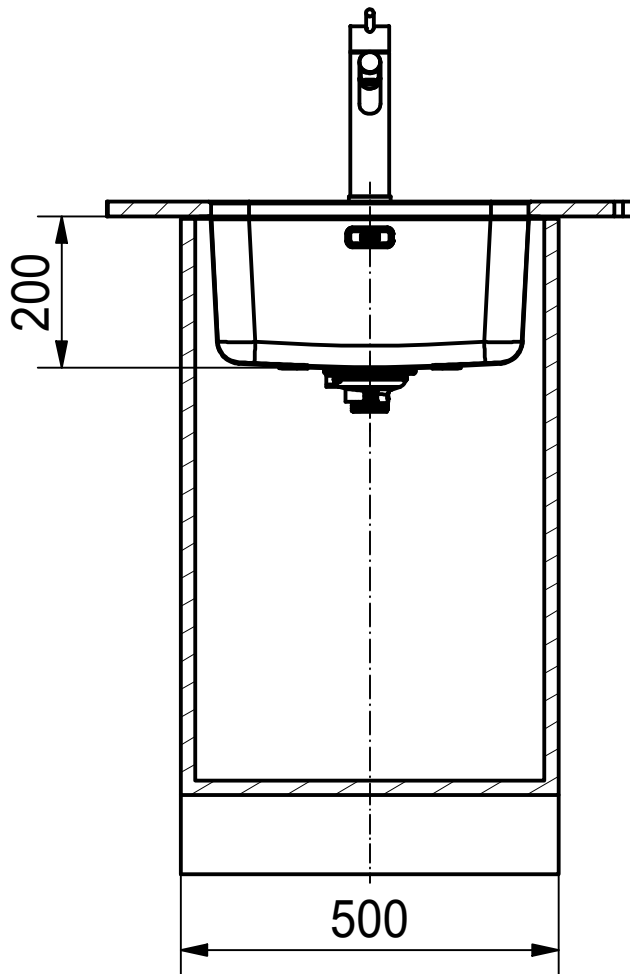


DF



|  |            |          |   |
|--|------------|----------|---|
| Drawing No.  | 20118152   | Revision | A |
| Drawn Date   | 14.12.2015 |          |   |
| <small>These drawings and specifications are the property of Franke Technology and Trademark Ltd. and shall not be reproduced, copied or transferred to any third party without the prior written permission of Franke Technology and Trademark Ltd., Hergiswil, Switzerland</small> |            |          |   |

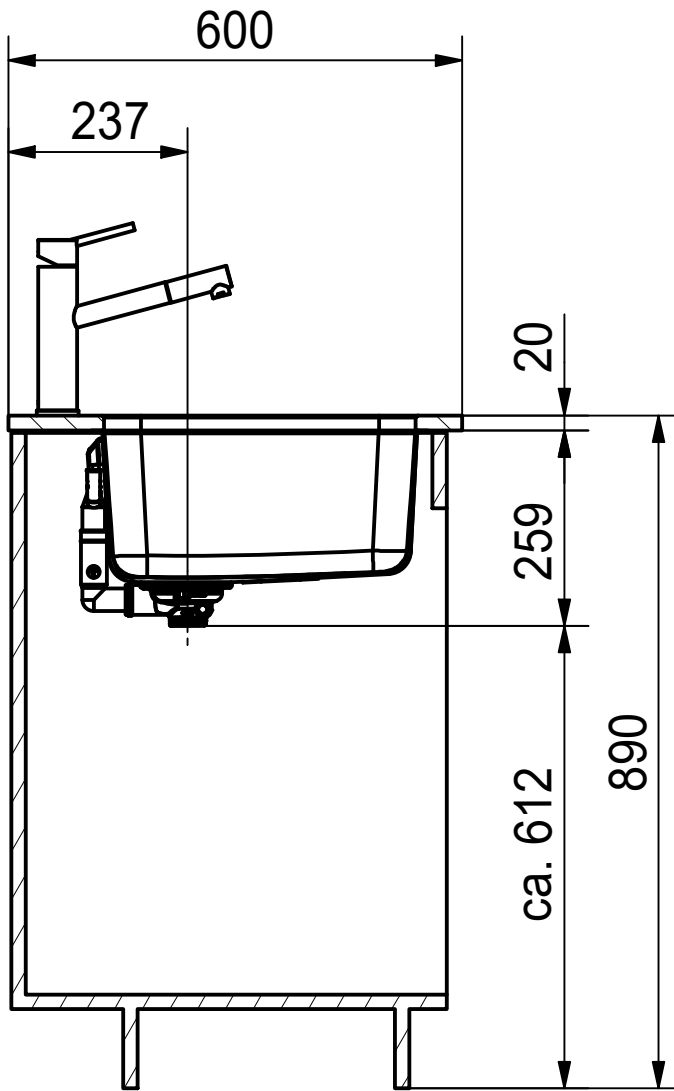
Franke Küchentechnik AG  
CH-4663 Aarburg  
Phone: +41 62 787 31 31  
Internet: www.franke.com

# BCX 110-42 SI

installing document

|       |        |
|-------|--------|
| Sheet | Sheets |
| 1     | 6      |

DS



|  |            |          |   |
|--|------------|----------|---|
| Drawing No.  | 20118152   | Revision | A |
| Drawn Date   | 14.12.2015 |          |   |
| <small>These drawings and specifications are the property of Franke Technology and Trademark Ltd. and shall not be reproduced, copied or transferred to any third party without the prior written permission of Franke Technology and Trademark Ltd., Hergiswil, Switzerland</small> |            |          |   |

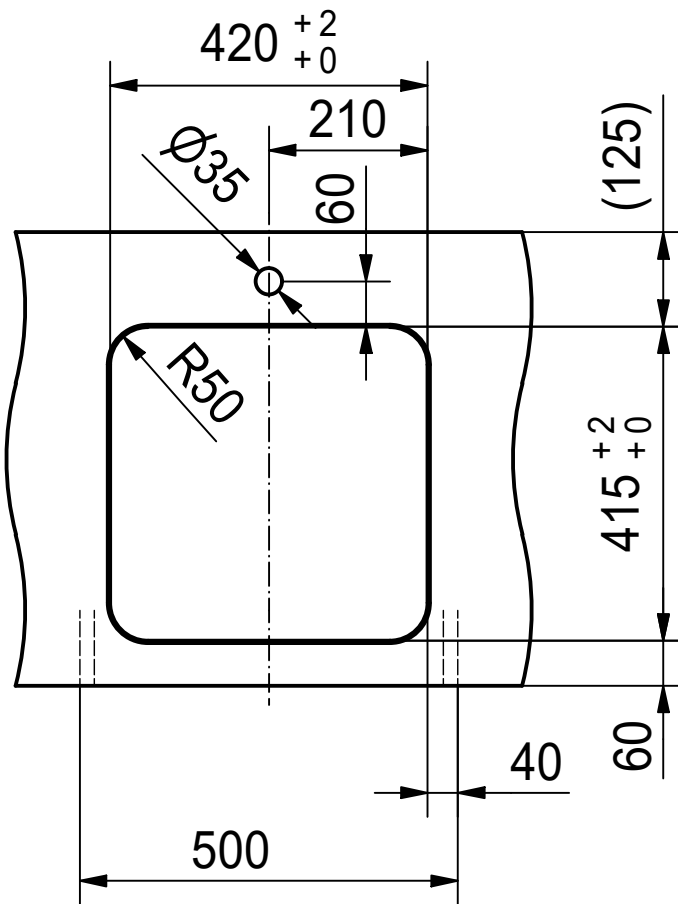
Franke Küchentechnik AG  
CH-4663 Aarburg  
Phone: +41 62 787 31 31  
Internet: www.franke.com

# BCX 110-42 SI

installing document

|       |        |
|-------|--------|
| Sheet | Sheets |
| 2     | 6      |

CO



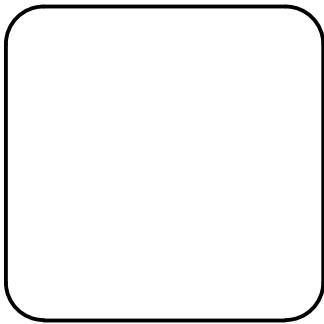
|  |            |          |   |
|--|------------|----------|---|
| Drawing No.  | 20118152   | Revision | A |
| Drawn Date   | 14.12.2015 |          |   |
| <small>These drawings and specifications are the property of Franke Technology and Trademark Ltd. and shall not be reproduced, copied or transferred to any third party without the prior written permission of Franke Technology and Trademark Ltd., Hergiswil, Switzerland</small> |            |          |   |

Franke K chentechnik AG  
CH-4663 Aarburg  
Phone: +41 62 787 31 31  
Internet: www.franke.com

**BCX 110-42 SI**  
installing document

|       |        |
|-------|--------|
| Sheet | Sheets |
| 3     | 6      |

**CNC**



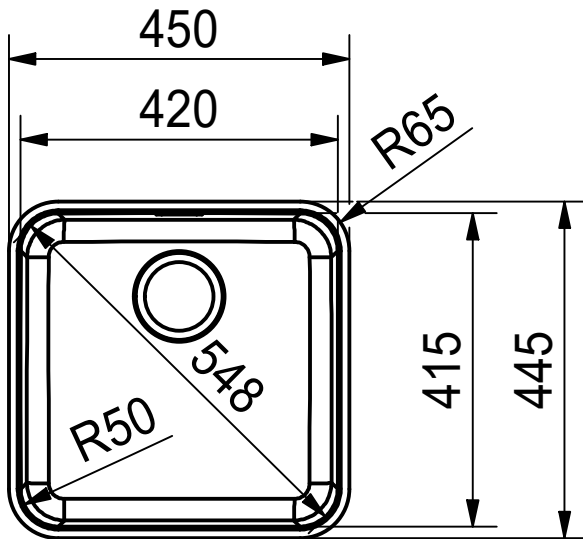
|  |            |          |   |
|--|------------|----------|---|
| Drawing No.  | 20118152   | Revision | A |
| Drawn Date   | 14.12.2015 |          |   |
| <small>These drawings and specifications are the property of Franke Technology and Trademark Ltd. and shall not be reproduced, copied or transferred to any third party without the prior written permission of Franke Technology and Trademark Ltd., Hergiswil, Switzerland</small> |            |          |   |

Franke Küchentechnik AG  
CH-4663 Aarburg  
Phone: +41 62 787 31 31  
Internet: www.franke.com

**BCX 110-42 SI**  
installing document

|       |        |
|-------|--------|
| Sheet | Sheets |
| 4     | 6      |

DT



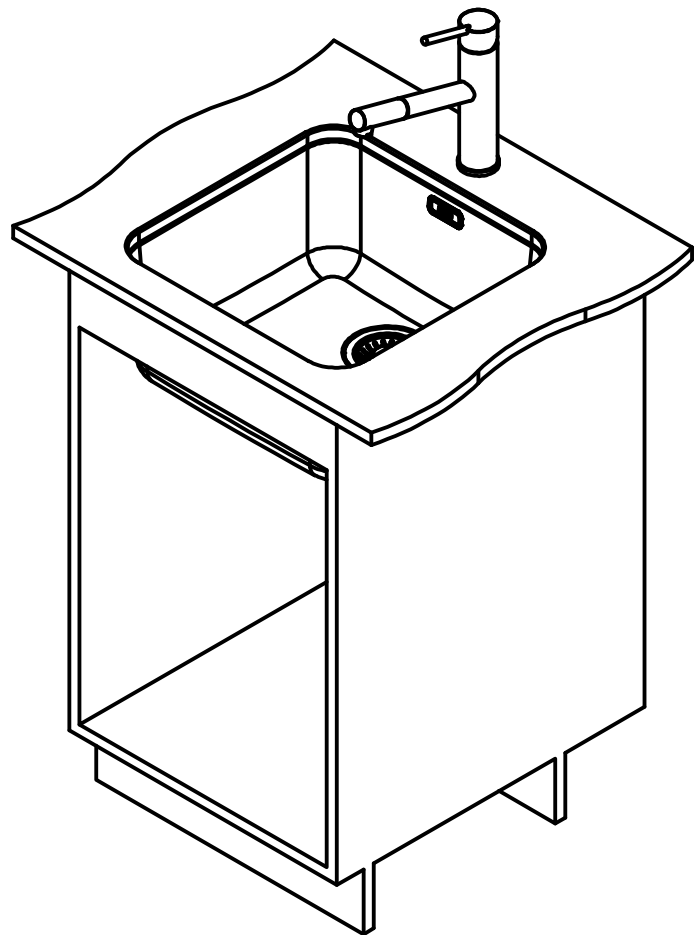
|  |            |          |   |
|--|------------|----------|---|
| Drawing No.  | 20118152   | Revision | A |
| Drawn Date   | 14.12.2015 |          |   |
| <small>These drawings and specifications are the property of Franke Technology and Trademark Ltd. and shall not be reproduced, copied or transferred to any third party without the prior written permission of Franke Technology and Trademark Ltd., Hergiswil, Switzerland</small> |            |          |   |

Franke Küchentechnik AG  
CH-4663 Aarburg  
Phone: +41 62 787 31 31  
Internet: www.franke.com

**BCX 110-42 SI**  
installing document

|       |        |
|-------|--------|
| Sheet | Sheets |
| 5     | 6      |

ISO



|  |            |          |   |
|--|------------|----------|---|
| Drawing No.  | 20118152   | Revision | A |
| Drawn Date   | 14.12.2015 |          |   |
| <small>These drawings and specifications are the property of Franke Technology and Trademark Ltd. and shall not be reproduced, copied or transferred to any third party without the prior written permission of Franke Technology and Trademark Ltd., Hergiswil, Switzerland</small> |            |          |   |

Franke Küchentechnik AG  
CH-4663 Aarburg  
Phone: +41 62 787 31 31  
Internet: www.franke.com

# BCX 110-42 SI

## installing document

|       |        |
|-------|--------|
| Sheet | Sheets |
| 6     | 6      |