

Adjustable desk display mounting arm

Verstellbarer Befestigungsarm für Schreibtisch-Displays

Verstelbare montagearm voor bureauidisplays

Braccio di montaggio per display da tavolo regolabile

Регульований кронштейн для кріплення дисплея на столі

Regulowane ramię montażowe do wyświetlacza biurkowego

Nastavitelné rameno pro montáž stolního displeje

Braço de montaje de pantalla de escritorio ajustable

Nastavitelné rameno na upevnenie stolového displeja

Braço de montagem de exibição de mesa ajustável

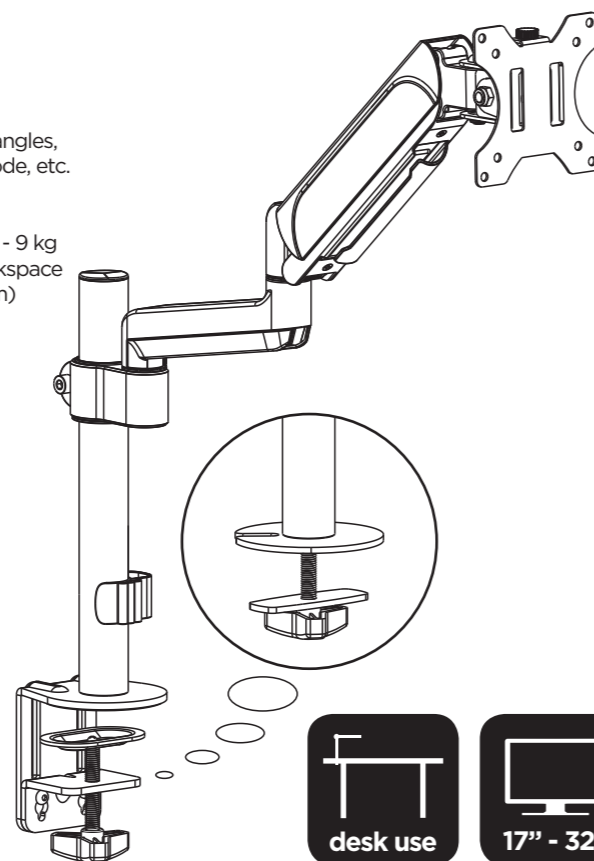
Ρυθμιζόμενος βραχίονας τοποθέτησης οθόνης γραφείου

FEATURES

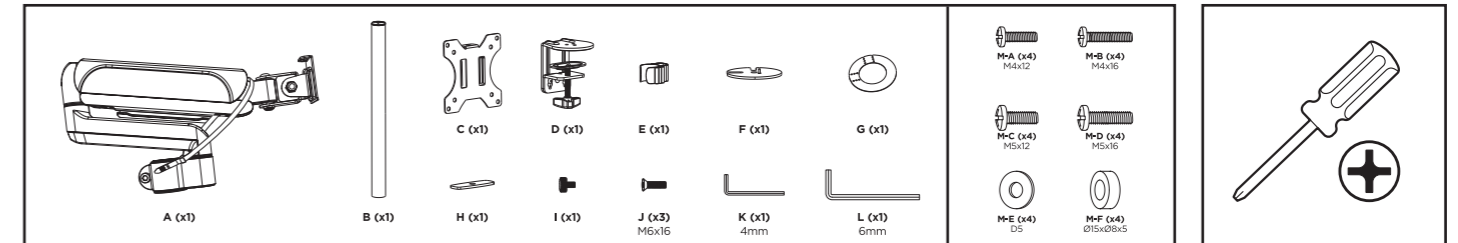
Monitor desk mount with single monitor arm
Arm rotates, extends and retracts, tilts to change reading angles, and allows to rotate display from landscape-to-portrait mode, etc.
Enables easy ergonomic positioning for reduced strain
Works with almost any LCD monitor (max. 32")
Durable adjustable gas-spring suitable for monitors of 1 kg - 9 kg
Built-in cable management for an organized and neat workspace
VESA compatible (100 mm x 100 mm and 75 mm x 75 mm)

SPECIFICATIONS

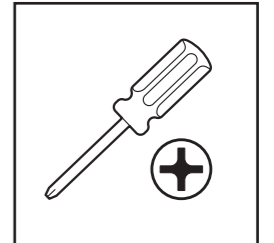
Material: steel, plastic, aluminum
Surface finish: powder coating
Color: fine texture black
Fit screen size: 17" - 32"
Weight capacity (per screen): 1 kg - 9 kg
Vesa compatible: 100 mm x 100 mm, 75 mm x 75 mm
Tilt range: + 35° - - 35°
Swivel range: + 90° - - 90°
Screen rotation: + 180° - - 180°
Installation: grommet, clamp
Suggested desktop thickness:
clamp: 10 mm - 85 mm, grommet: 10 mm - 40 mm
Cable management: yes
Net weight: 3.3 kg



Installation materials



Required tools



Installation instructions

