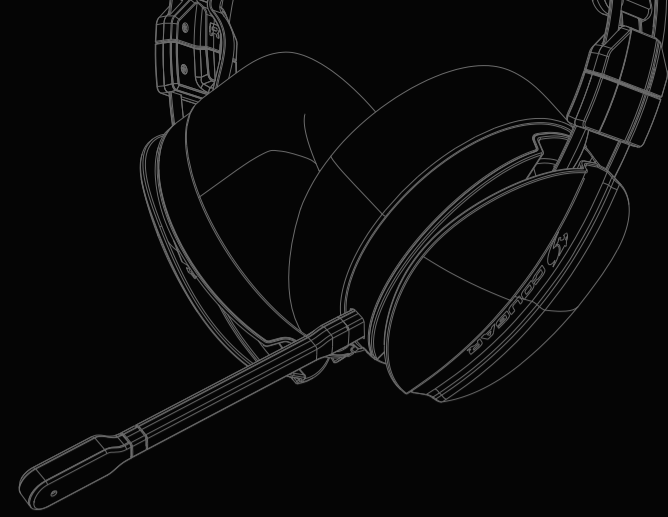




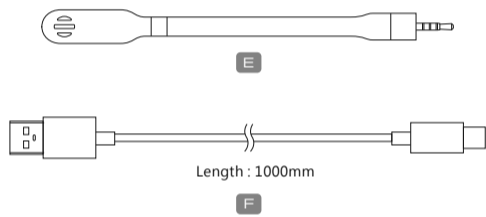
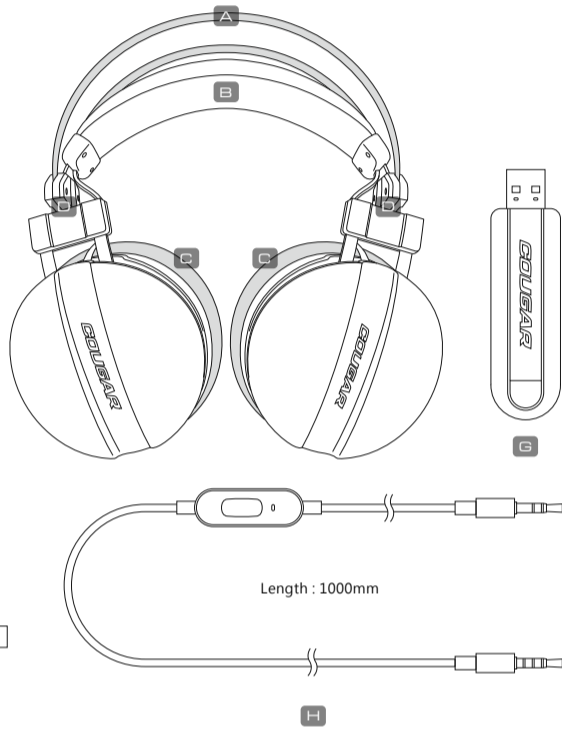
**REAL GEAR FOR REAL GAMERS**  
www.cougargaming.com



# OMNES ESSENTIAL

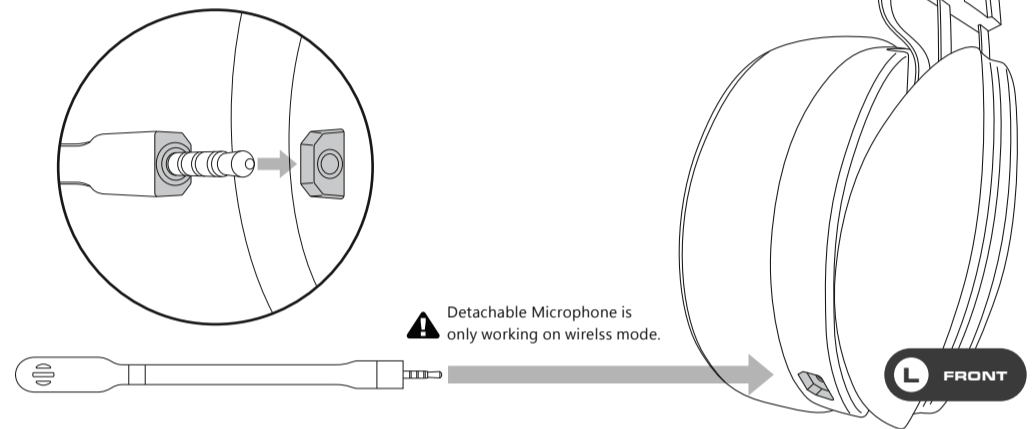
PRODUCT PARTS AND PACKAGE CONTENTS

- A Suspended Headband Structure
- B Leather-like Headband
- C Pressure-free Memory Foam Earpads
- D Adjustable and Spinnable Wearing Structure
- E Detachable Microphone
- F Type-C Charging Cable
- G Wireless transmitter
- H 3.5mm Wire: Detachable Cord and Microphone

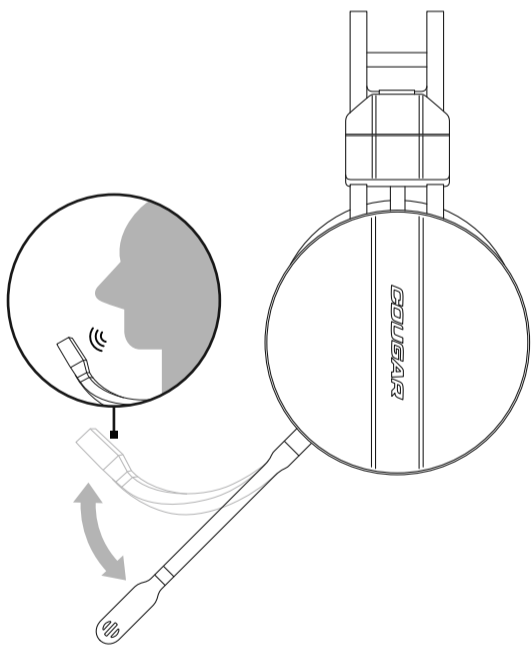


## WIRELESS MODE

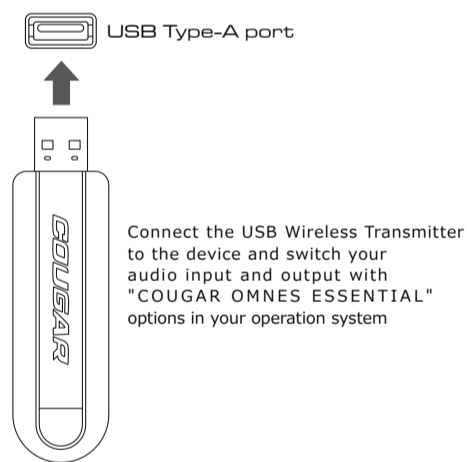
### INSTALL THE MICROPHONE



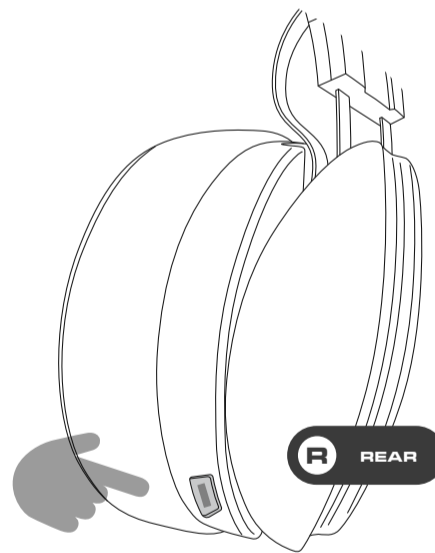
### 1 HOW TO ADJUST THE MICROPHONE



### 2 INSTALL THE USB WIRELESS TRANSMITTER



- 3 Press the Power Button in 3 seconds. LED from the headset and transmitter will be lighted in steady Orange when the wireless connection is connected. Press the Power Button in 3 seconds during headset operation, the headset will be turned off.



The connection between the headset and transmitter will be disconnected after the still movement after 10 minutes.

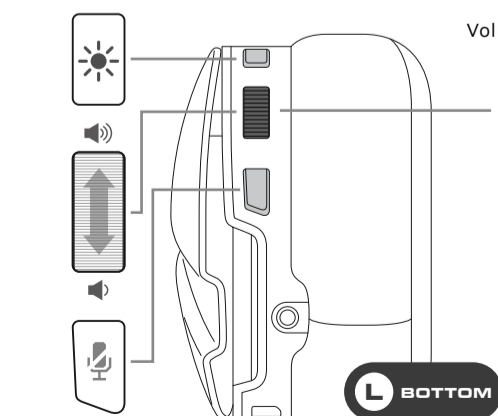
## HOW TO CONTROL RGB Switching Button

### Effects

- 1 Fluid RGB
- 2 Orange
- 3 Red
- 4 Green
- 5 Blue
- 6 Yellow
- 7 Off

RGB Switching Button	x1	LED Effects change
Volume Wheel		Max. / Min. : Click sound
Microphone Switch Mute On	x1	Microphone light on
Microphone Switch Mute Off	x1	Microphone light off
Wired mode		Light off (The wireless mode is immediately ceased.)

### RGB Switching Button

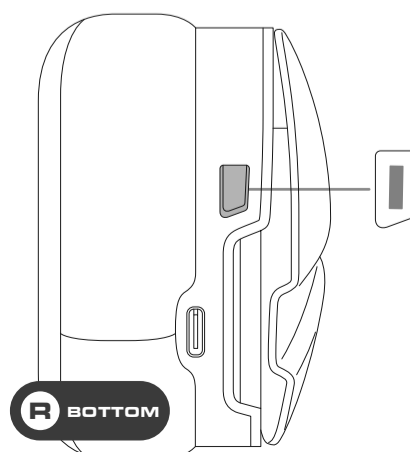


### Volume Wheel

Volume Wheel can be synchronized with the PC system, and not compatible with a 3.5mm wired connection.

### Microphone Switch

Microphone Switch is only operated through the wireless mode. The LED on the microphone pole will be "lighted" when it is switching to mute.



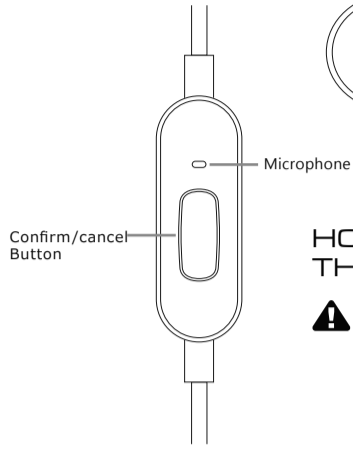
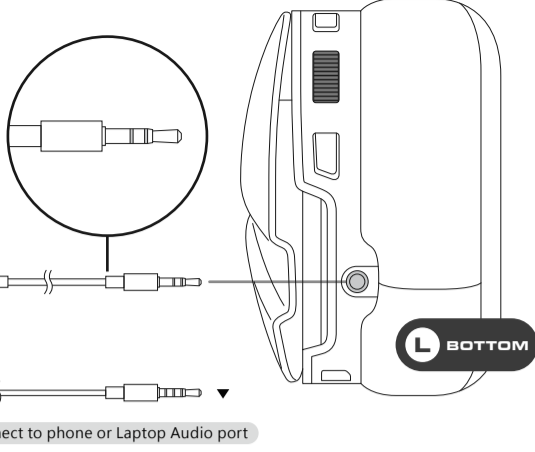
Power On	3 Secs	Orange light	
Power Off	3 Secs	Light off	
Low battery		Sparkling + Beep	
Charging		Blue light	
Fully charged		Orange light	

# 3.5MM WIRED MODE

## INSTALL THE CONTROL UNIT



3.5mm connector with 2-ring is connected to the headset, connector with 3-ring is connected to the 3.5mm female base, such as phone or Laptop Audio port. Once the cable is connected, the 2.4G wireless connection and RGB LED effects is automatically going off.

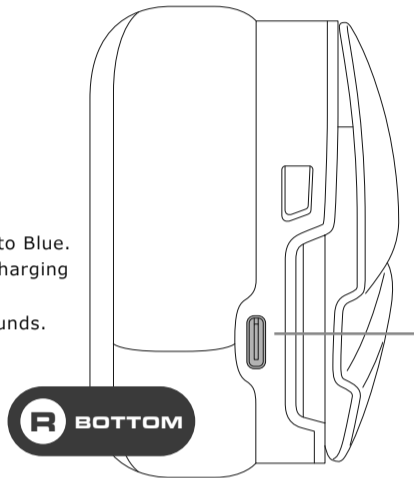


## HOW TO CONTROL THROUGH CABLE UNIT

The Detachable Microphone, RGB LED Effects Button, Volume Wheel, and Microphone On/Off button are all inoperable during the wired mode.

## CHARGING NOTES FOR WIRELESS MODE

- Please avoid connecting to the port with insufficient Ampere and unstable Voltage USB connector.
- Once Type-C USB charging is connected, the LED will turn into Blue.
- The Blue LED will automatically change to orange once the charging is completed during the power-off of the headset.
- In the low battery situation, the LED will spark with beep sounds.
- The operation time is as below:



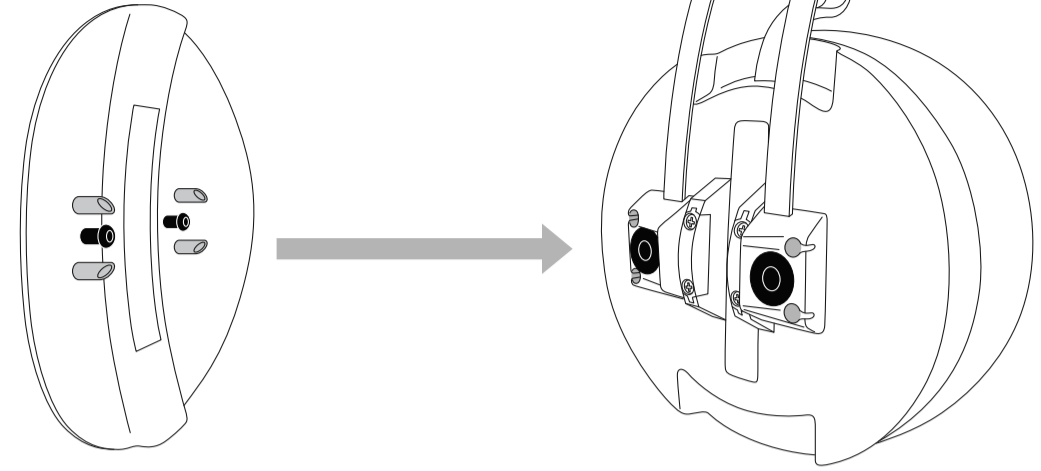
## OPERATION TIME

LED OFF	20 Hours*
LED ON	12 Hours*
Charging Time	2.5 Hours (from 0% to 100%)

\*Operating time tested under the standard 70% of volume, and LED-off.

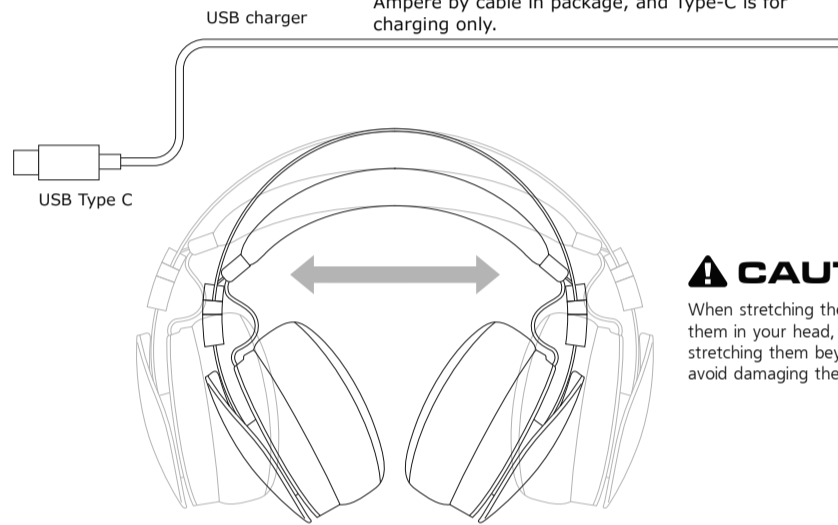
# EAR-SHELLS INSTALLATION

The 2 center holes of the ear-shell can be locked once 4 positionholes and precisely aimed.



## HOW TO CHARGE

The USB Type-C is for charging through 5V/2A Ampere by cable in package, and Type-C is for charging only.



## CAUTION

When stretching the headphones before placing them in your head, please pay attention to avoid stretching them beyond their physical limits to avoid damaging the product.

- ENGLISH**
- Convenient 2.4G Wireless Connection
  - 9.7mm Unidirectional Cardioid Microphone
  - 3.5mm Connection for Low Battery or Commute
  - Automatic and Ergonomic Wearing Adaptation

- FRANÇAIS**
- Connection sans fil 2.4 G
  - Micro cardioïde unidirectionnel 9,7mm
  - Connection avec jack 3,5mm en cas de batterie faible ou pour passer en mode filaire
  - Port du casque adaptable de manière automatique et ergonomique

- ESPAÑOL**
- Fácil conexión inalámbrica 2.4G
  - Micrófono cardioide unidireccional de 9,7 mm
  - Conexión de 3,5 mm para batería baja o transporte del mismo
  - Adaptación automática y ergonómica de uso

- 한국어**
- 편리한 2.4G 무선 연결
  - 9.7mm 단방향 카디오이드 마이크
  - 배터리 부족 또는 통근을 위한 3.5mm 연결
  - 자동 및 인체 공학적 착용 적응

- 简体中文**
- 便利的2.4G无线连接
  - 音质完美清晰：9.7mm单指向心型麦克风音头
  - 3.5mm连接用于低电量或通勤
  - 自动且符合人体工学的佩戴方式

- DEUTSCH**
- Zuverlässige 2.4G Kabellose Verbindung
  - 9,7mm langes unidirektionales Nierenmikrofon
  - Stromsparender 3.5mm Stecker für Kabelgebundene Verbindung
  - Perfekter Tragekomfort und Ergonomie

- РУССКИЙ**
- Удобное беспроводное соединение 2.4G
  - Однонаправленный кардиоидный микрофон с длиной 9,7мм
  - Подключение 3,5мм для работы в режиме проводной связи
  - Удобство и эргономичность

- PORTUGUÊS**
- Conveniente conexão sem fio 2.4G
  - Microfone cardioide unidireccional de 9,7 mm
  - Conexão de 3.5mm para bateria baixa ou transição
  - Adaptação ao uso automática e ergonómica

- 日本語**
- 安定した2.4GHzワイヤレス接続
  - 9.7mmカーディオイド指向性マイク
  - 3.5mmプラグ接続可能・通勤通学の外出時などでの使用に快適です
  - 人間工学に基づいたデザイン

- 繁體中文**
- 便捷的2.4G無線連接
  - 9.7mm單指向心型麥克風收音
  - 3.5mm連接模式用於低電量或通勤
  - 符合人體工學的舒適配戴

# SPECIFICATIONS

Headphone	Microphone	Electricity
Driver : 53mm	Driver : 9.7mm	Sound Modes : Stereo
Max. Input Power : 40mw	Mic Type : Cardioid Cancellation	Wireless Frequency : 2.4GHz
Sensitivity at 1kHz : 100±3dB	Mic. Sensitivity at 1kHz : -47±3dB	Wireless Range : 10 Meters
Impedance at 1kHz : 32Ω±15%	Mic. Frequency Response : 100Hz - 10KHz	Battery Operation : Up to 20 Hours
Frequency Response : 20Hz - 20kHz	Inline Driver : 4mm	Charging Time : 2.5 Hours
	Inline Mic Type : Omnidirectional	Charging Voltage/Ampere : 5V / 2A Adaptor

# PACKAGE CONTENTS

- COUGAR OMNES ESSENTIAL gaming headset
- Detachable microphone
- Wireless transmitter
- Inline : Detachable cord and Microphone
- User manual
- Type-C Charging Cable

## DISCLAIMERS

COUGAR does not authorize or endorse the user of COUGAR products as a part of, together with, or connected to, life support devices, medical equipment in general, military equipment, traffic or transportation-related equipment or disaster prevention systems. COUGAR is not liable for any damage, expense, loss, cost, injury or any other result derived from the use of COUGAR products not specifically for PC gaming in the compatible operative systems indicated by COUGAR. COUGAR is not liable for any damage, expense, loss, cost, injury or any other result due to use of COUGAR products not in strict accordance with the instructions provided by COUGAR in the instruction manual. Software, instruction manuals, consumables (for example mouse pads, mouse feet, etc.), boxes or other external packaging are not covered by the warranty. For inquiries about the warranty, please contact us at service@cougargaming.com

## LEGAL NOTICES

This manual was created by Compucase Enterprise and may not be completely or partially copied, passed on, distributed or stored without written consent by Compucase Enterprise. COUGAR® is a registered brand of Compucase Enterprise. Other product and company names mentioned in this documentation may be brands or trademarks of their respective owners. Compucase Enterprise reserves the right to make changes concerning the contents of the manual and the technical data of the product without previous announcement.

## FEDERAL COMMUNICATION COMMISSION INTERFERENCE STATEMENT

This equipment has been tested and found to comply with the limits for a Class B digital device, pursuant to Part 15 of the FCC Rules. These limits are designed to provide reasonable protection against harmful interference in a residential installation. This equipment generates, uses and can radiate radio frequency energy and, if not installed and used in accordance with the instructions, may cause harmful interference to radio communications. However, there is no guarantee that interference will not occur in a particular installation. If this equipment does cause harmful interference to radio or television reception, which can be determined by turning the equipment off and on, the user is encouraged to try to correct the interference by one of the following measures:

- Reorient or relocate the receiving antenna.
- Increase the separation between the equipment and receiver.
- Connect the equipment into an outlet on a circuit different from that to which the receiver is connected.
- Consult the dealer or an experienced radio/TV technician for help.

FCC Caution: To assure continued compliance, any changes or modifications not expressly approved by the party responsible for compliance could void the user's authority to operate this equipment. (Example - use only shielded interface cables when connecting to computer or peripheral devices).



## WARNING!

In order to avoid permanent hearing damage, please always use your headset at safe volume levels. Exposure to high sound levels for extended periods of time may cause permanent hearing damage and even loss.

## HARDWARE REQUIREMENTS

Single 4-pole Jack Devices With Speaker and Microphone Connection  
5V USB-A Female Connection

## GLOBAL WARRANTY POLICY

### WARRANTY PERIODS OF COUGAR GAMING DEVICES

Product : COUGAR OMNES Essential gaming headset  
Warranty : 1 Year  
This warranty gives you specific legal rights. You may also have other rights granted under local law. These rights may vary.

### WARRANTY AGREEMENT

- If the product has defects in material or manufacture, COUGAR will provide product repair and replacement service within the warranty period.
  - Our warranty service is based on the date of the invoice or warranty card (must be affixed with the store stamp).
- If you lose the aforementioned evidence, we will apply the original shipping date of the product as the beginning date of warranty period. The shipping date will be identified by the product serial number(S/N).

## CONDITIONS WHERE FREE MAINTENANCE IS NOT PROVIDED

- Any fault or damage caused by natural disasters (including storm, fire, flood, thunder, earthquake, etc).
- Any fault or damage caused by accidental factors and man-made reasons (including hit, scrape, crash, moving, compression, stain, corrosion, use of incurred on unsuitable voltage, computer virus, riot, misuse, malicious damage, etc).
- Use in an improper operating environment (including high temperature, high humidity, water inflow, etc).
- Inability to provide the product warranty card, purchase receipt or invoice to prove the product is still within the warranty period and the shipping date of the product is out of warranty.
- The warranty card or product serial number has been altered or its number is hard to identify.
- The warranty period has expired.
- Any fault or damage caused by non-compliance with regulations stated on the user manual or improper, rough and careless treatment.
- Any fault or damage caused by use of parts not certified by COUGAR original manufacturer.
- The problem is caused by improper repair or adjustment by the buyer or any manufacturer without authorization from COUGAR.
- The product is not acquired from an authorized distributor of the company or is acquired from illicit sources.
- Paper carton, instruction and other accessories are not warranted.



## ДАТА ИЗГОТОВЛЕНИЯ ПРОДУКЦИИ

год и месяц изготовления продукции указаны в серийном номере продукта. (существует 2 способа определения даты изготовления, оба способа описаны ниже)

После S/N: первые две цифры означают год, вторые две – месяц изготовления. Например, S/N: H1702000001 означает, что товар был произведен в феврале 2017 года.

После S/N: если указаны буквы, то две буквы представляют цифры из таблицы ниже, и означают год, последующие две цифры – месяц изготовления. Например, S/N: DAG02REV1000001 означает, что товар был произведен в феврале 2017 года.

A	B	C	D	E	F	G	H	I	J
1	2	3	4	5	6	7	8	9	0

• Например, AG = 17 = 2017 год

## FCC Radiation Exposure Statement

This equipment complies with FCC RF radiation exposure limits set forth for an uncontrolled environment.

This transmitter must not be co-located or operating in conjunction with any other antenna or transmitter.

This device complies with Part 15 of the FCC Rules. Operation is subject to the following two conditions:

- (1) This device may not cause harmful interference, and (2) This device must accept any interference received, including interference that may cause undesired operation.

## MANUFACTURER CONTACT

Compucase Enterprise Co.,Ltd.  
No. 225, Lane 54, An Ho Road Sec. 2  
Tainan, Taiwan, R.O.C  
Tel: +886-6-356-0606  
Service E-Mail: service@cougargaming.com

All other registered trademarks belong to their respective companies.

More information you will find at cougargaming.com  
Compucase Enterprise Co.,Ltd.  
All rights reserved.  
Made in China

