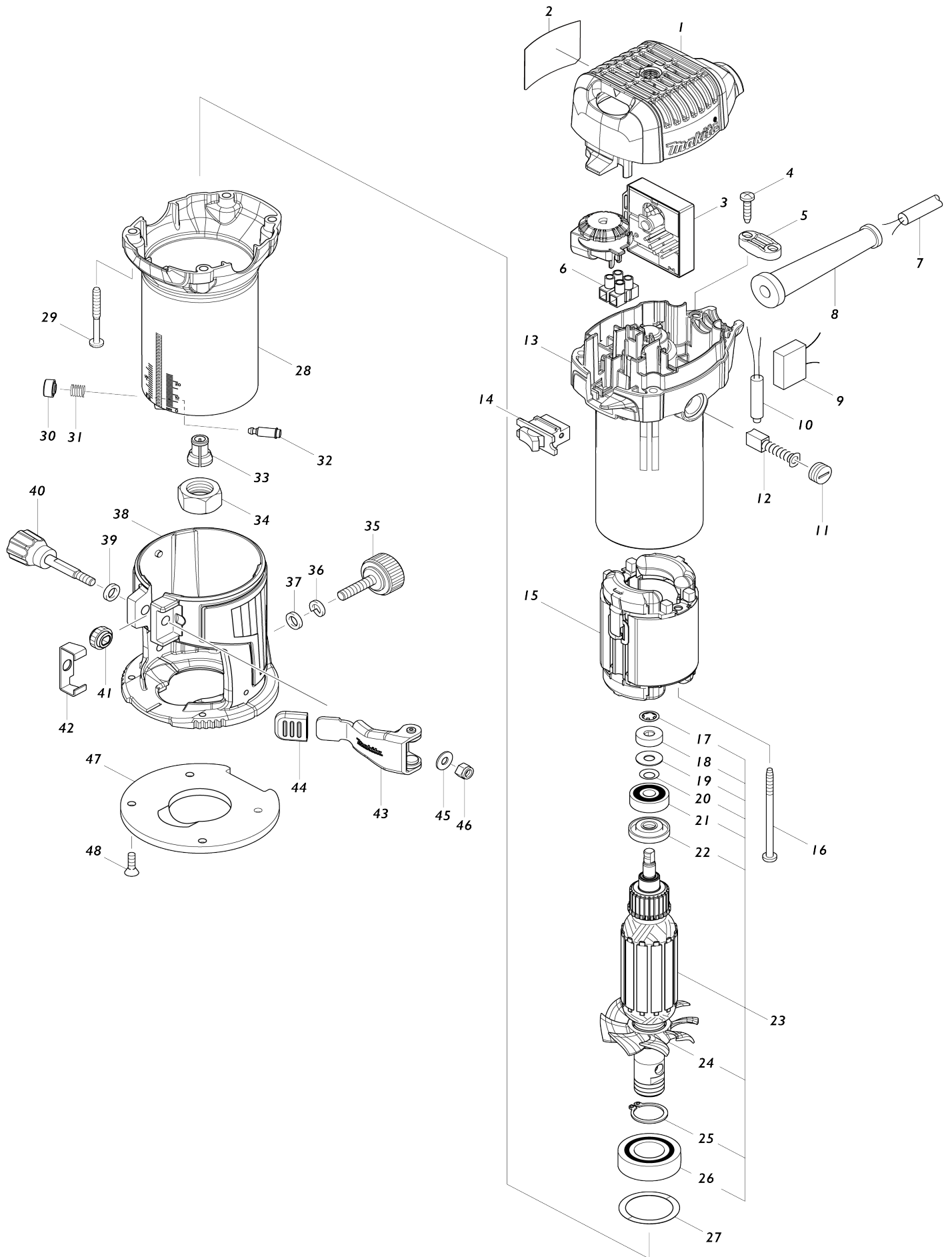


Model No. RT0702C TRIMMER



Model No.RT0702C TRIMMER

Item No.	Parts No.	Description	Interchangability	Q'ty	New/Old	Note1	Note2
001	413A03-5	TOP COVER		1			
002	8111R5-5	RT0702C NAME PLATE		1			
003	620H14-7	CONTROLLER		1			
004	266326-2	TAPPING SCREW 4X18		2	*		
004-1	265B67-9	TAPPING SCREW 4X18	O	2			
005	687124-5	STRAIN RELIEF		1			
006	654542-2	TERMINAL BLOCK 2P		1			
007	695034-2	POWER SUPPLY CORD 1.0-2-4.0		1			
008	682502-4	CORD GUARD 8-85		1			
009	645233-6	NOISE SUPPRESSOR		1			
010	646133-3	CHOKE COIL		1			
011	643550-8	BRUSH HOLDER CAP 5-8		2			
012	195010-1	CARBON BRUSH SET CB-411		1			
013	141E76-9	BRACKET COMPLETE		1			
C10	643455-2	BRUSH HOLDER 6X9		2			
014	651527-9	SWITCH		1			
015	593769-8	FIELD ASS'Y 240V		1			
C10	654100-4	RING TERMINAL		1			
C20	654501-6	CONNECTOR P-1.25		1			
016	266340-8	TAPPING SCREW 4X65		2			
017	259039-2	SELF LOCK 6		1			
018	688117-5	MAGNET SLEEVE		1			
019	253332-6	THIN WASHER 6		1			
020	267756-0	WAVE WASHER 6		1			
021	210023-2	BALL BEARING 627DDW		1			
022	681668-7	INSULATION WASHER		1			
023	515844-0	ARMATURE ASS'Y 240V		1			
D10		INC. 17-22,24-26					
024	240125-0	FAN 55		1			
025	961057-5	RETAINING RING S-17		1			
026	210301-0	BALL BEARING 6003DDW		1			
027	253906-3	WAVE WASHER 26		1			
028	140735-2	OUTER HOUSING COMPLETE		1			
029	266560-4	TAPPING SCREW 4X40		4			
030	452468-0	PUSH BUTTON		1			
031	233127-3	COMPRESSION SPRING 7		1			
032	256437-1	PIN 4		1			
033	763636-3	COLLET CONE 6MM		1			
034	763615-1	COLLET NUT		1			
035	265763-7	THUMB SCREW M6X25		1			
036	253428-3	SPRING WASHER 6		1			
037	941151-9	FLAT WASHER 6		1			
038	142403-3	TRIMMER BASE COMPLETE		1			
039	941151-9	FLAT WASHER 6		1			
040	265792-0	THUMB SCREW M5X35		1			
041	227262-7	SPUR GEAR 16		1			
042	346392-6	CAM PLATE		1			

043	163524-8	LOCK LEVER COMPLETE		1		
044	424396-9	RUBBER CAP		1		
045	941101-4	FLAT WASHER 5		1		
046	252103-8	HEX. LOCK NUT M5-8		1		
047	454842-8	BASE PROTECTOR		1		
048	912112-6	COUNTERSUNK HEAD SCREW M4 X10		4		
A01	122965-7	STRAIGHT GUIDE ASSEMBLY		1		
C10	252649-4	THUMB NUT M6		1		
C20	266339-3	CAP SQUARE NECK BOLT M6X20		1		
C30	346382-9	GUIDE PLATE		1		
A02	195559-1	DUST NOZZLE SET		1		
C10	265774-2	THUMB SCREW M4X19		1		
A03	343577-5	TEMPLER GUIDE 10		1		
A04	781011-1	WRENCH 22		1		
A05	781039-9	WRENCH 13		1		
A07	763618-5	COLLET CONE 8MM		1		
F24	191R13-1	GUIDE RAIL ADAPTER SET		1		
F29	194367-7	GUIDE RAIL 3000 SET		1		
F30	194368-5	GUIDE RAIL 1400 SET		1		
F32	194416-0	SHEET 10000 SET		1		
F33	194417-8	RUBBER SHEET 10000 SET		1		
F34	194418-6	POSITION SHEET 1400 SET		1		
F38	194910-2	POSITION SHEET 1900 SET		1		
F40	194925-9	GUIDE RAIL 1900 SET		1		
F43	195136-9	STRAIGHT GUIDE SET		1		
F44	195137-7	ROD 8 SET		1		
F54	196615-0	TRIMMER BASE SET (12PCS)		1		
F55	196664-7	BEVEL GUIDE SET		1		
F62	199140-0	GUIDE RAIL 1000 SET		1		
F63	199141-8	GUIDE RAIL 1500 SET		1		
A06	194733-8	DUST NOZZLE SET		1		
C10	213022-3	O RING 3		2	*	
C11	213A67-7	O-RING 3	O	2		
C20	265774-2	THUMB SCREW M4X19		1		
A08	344364-5	TEMPLER GUIDE 16		1		
A09	122703-7	TRIMMER GUIDE ASS'Y		1		
C10	251471-6	- FLAT HEAD SCREW M5		1		
C20	265135-6	+ COUNTERSUNK HEAD SCREW M4X10		1		
C30	265763-7	THUMB SCREW M6X25		1		
C40	265764-5	THUMB SCREW M6		1		
C50	317788-8	GUIDE HOLDER		1		
C60	324378-0	ROLLER 11		1		
C70	341136-9	HOOK		1		
C80	941151-9	FLAT WASHER 6		1		
A10	195563-0	PLUNGE BASE SET		1		
D10		COMPO-PARTS				
A11	198987-9	TILT BASE SET		1		
A12	153489-2	GRIP 36 COMPLETE		1		
A13	195564-8	GUIDE HOLDER SET		1		
C10	252649-4	THUMB NUT M6		1		

C20	256850-3	ROD 8		2		
C30	266339-3	CAP SQUARE NECK BOLT M6X20		1		
A14	821552-6	CONNECTOR PLASTIC CASE (TYPE4)		1		
C10	453974-8	LATCH		4		
A15	837247-1	TRAY		1		
A16	8043J8-2	RT0702CX2J INDICATION LABEL		1		
A17	8043J9-0	RT0702CX2J PLASTIC CASE LABEL		2		
A16	8043H9-6	RT0702CJ INDICATION LABEL		1		
A17	8045H6-4	RT0702CJ INDICATION LABEL		2		

Please state Parts No. when your order.

Print Date 27/10/2023