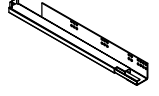
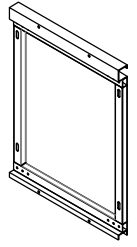
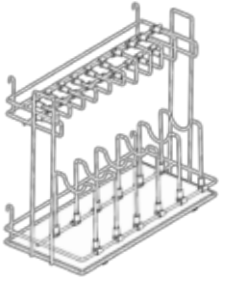



NO	PARÇA RESMI/ PART DRAWING	AD./ PCS.
1		2
2		1
3		1
4		2
5	3,5x16 SUNTA VIDASI	6
	4x25 C.SCREW	4
	M5x10 RSB	6
	M5 ALYAN	1