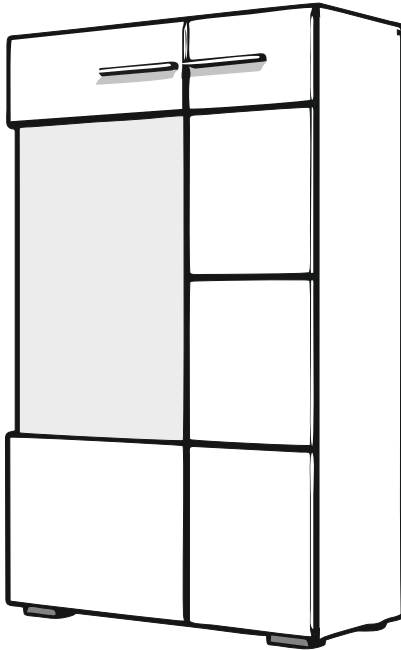
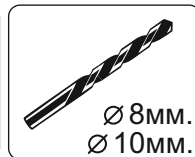
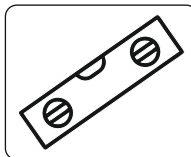
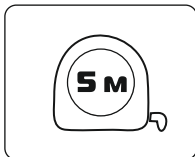
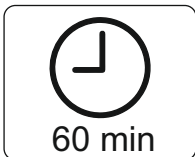
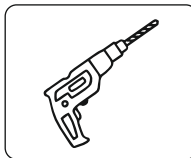
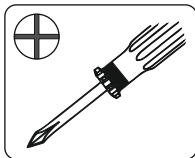
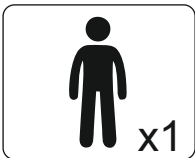


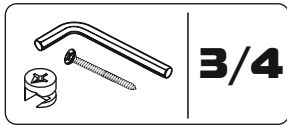
Nevada

Гостиная Невада



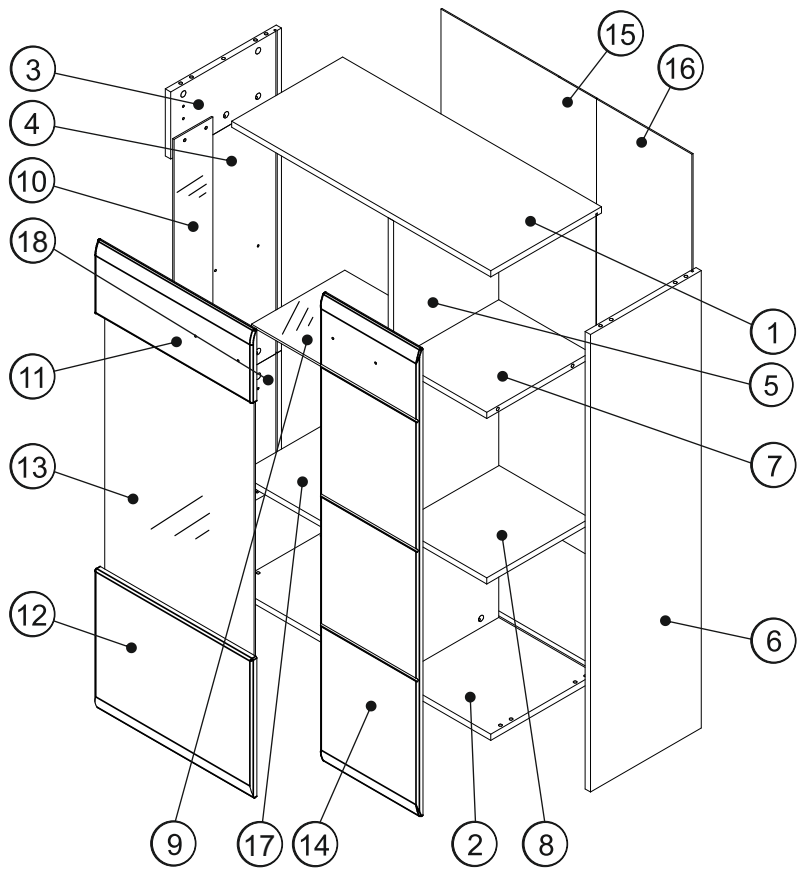
↑ 1238 ↔ 776 ↗ 348

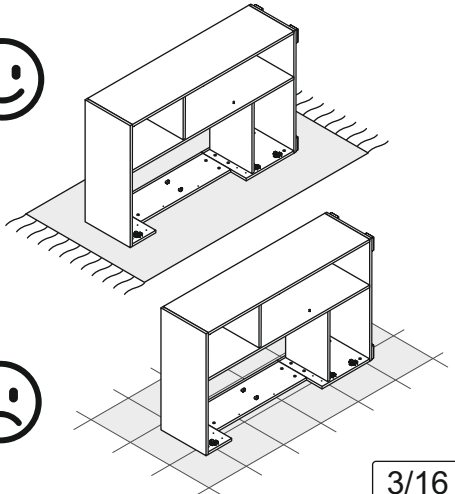
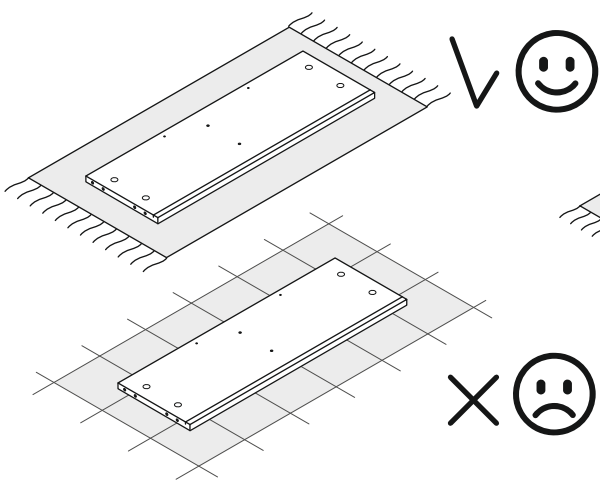
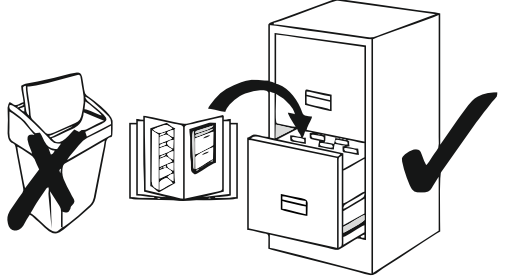
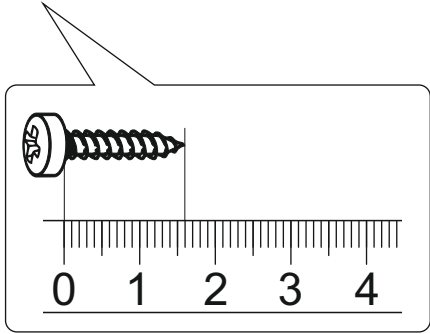
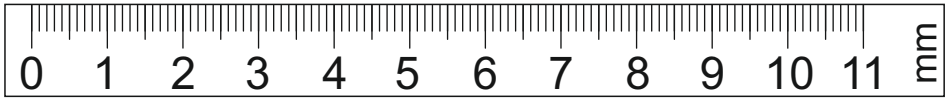
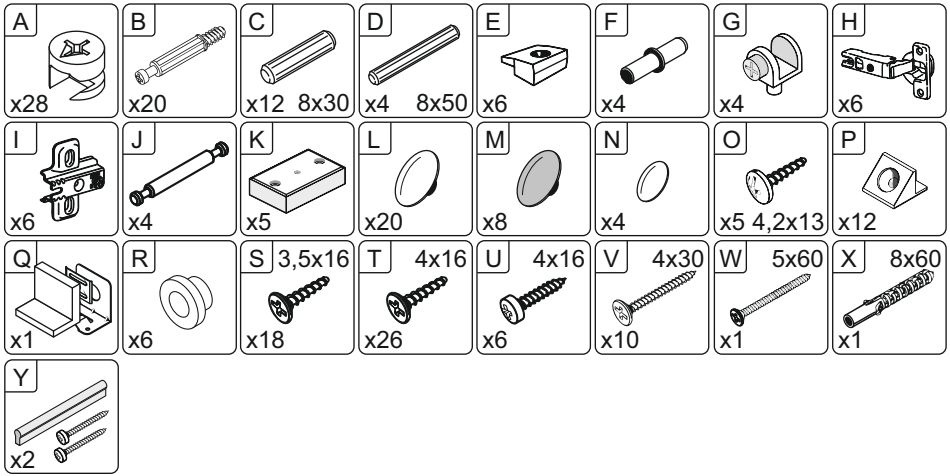




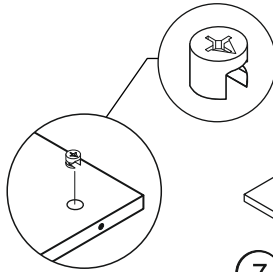
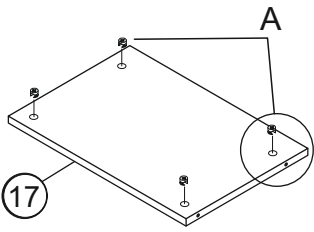
3/4

#		↔	↗		
1	1	775	332	16	3/4
2	1	775	332	16	3/4
3	1	174	332	16	3/4
4	1	662	220	16	3/4
5	1	1186	315	16	3/4
6	1	1186	332	16	3/4
7	1	274	310	16	3/4
8	1	272	305	16	3/4
9	1	443	280	5	0/0
10	1	720	122	16	3/4
11	1	188	472	16	4/4
12	1	364	472	16	4/4
13	1	724	450	3	0/0
14	1	1214	295	16	4/4
15	1	1196	464	4	4/4
16	1	1196	286	4	4/4
17	1	452	310	16	3/4
18	1	350	332	16	3/4

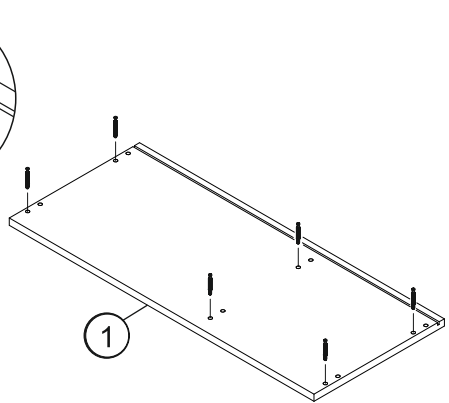
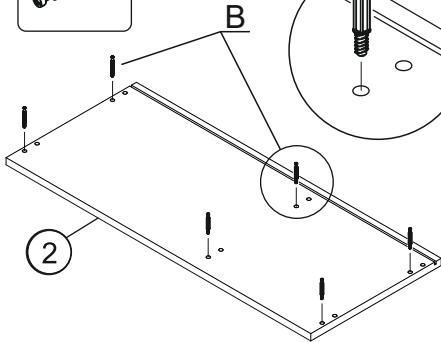




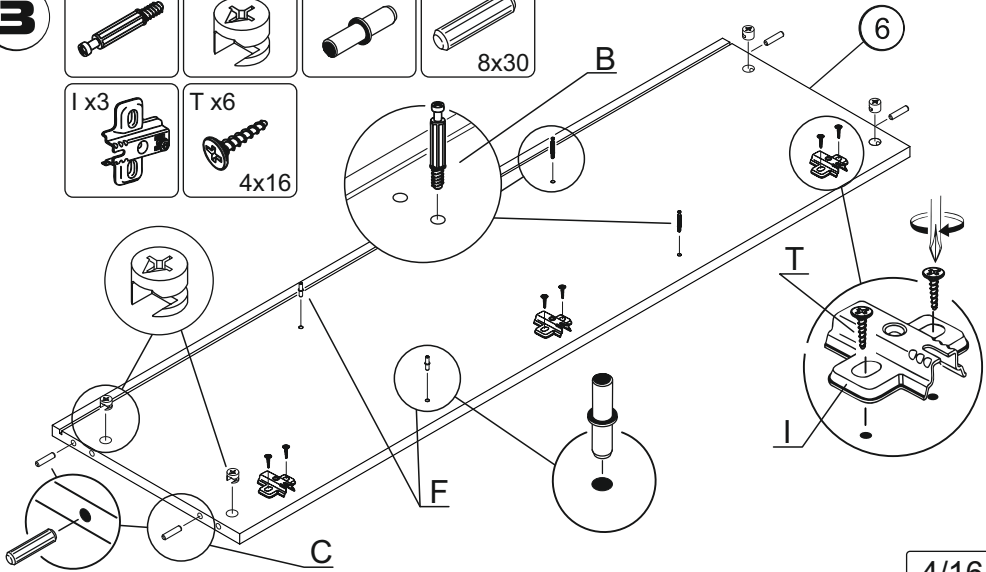
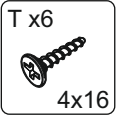
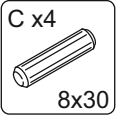
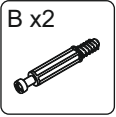
1



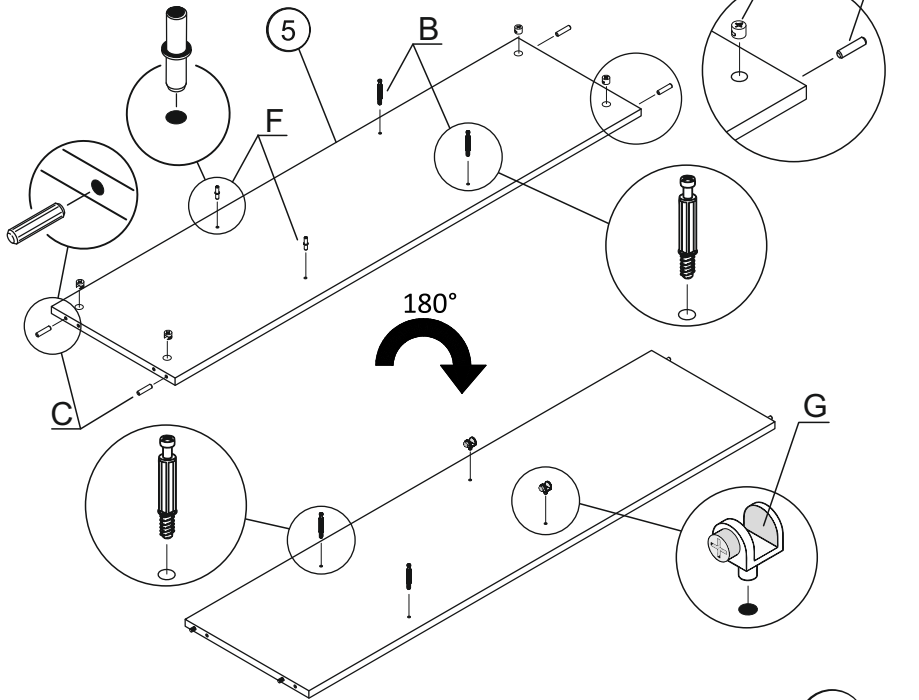
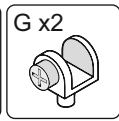
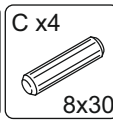
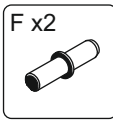
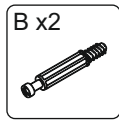
2



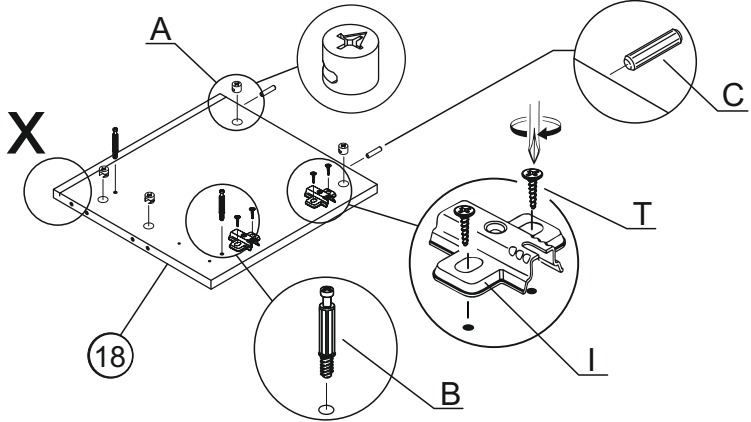
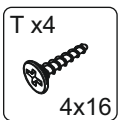
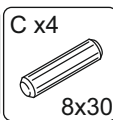
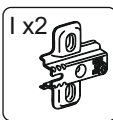
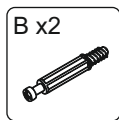
3



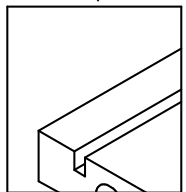
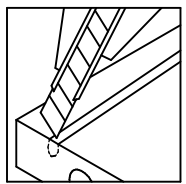
4



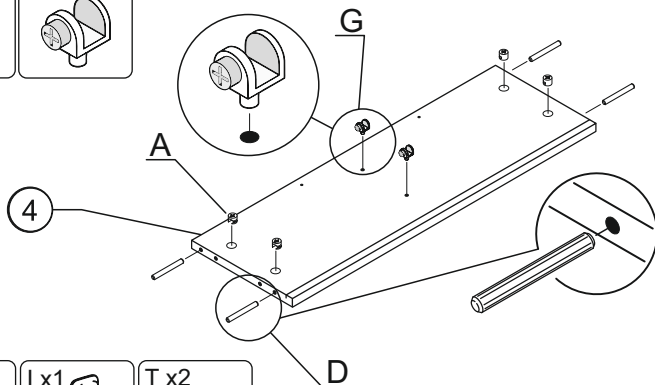
5



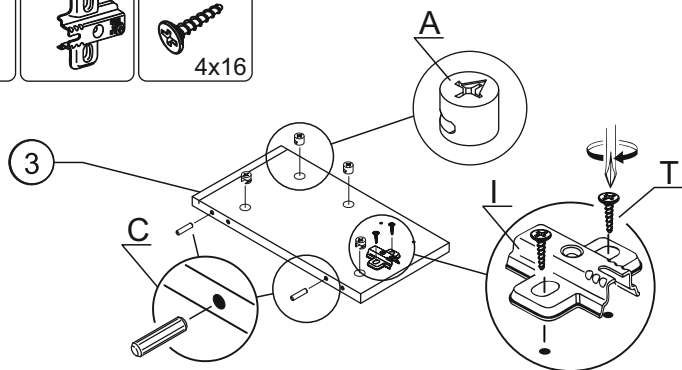
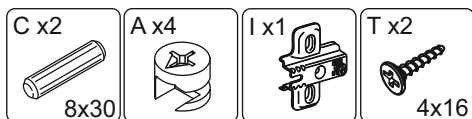
! X



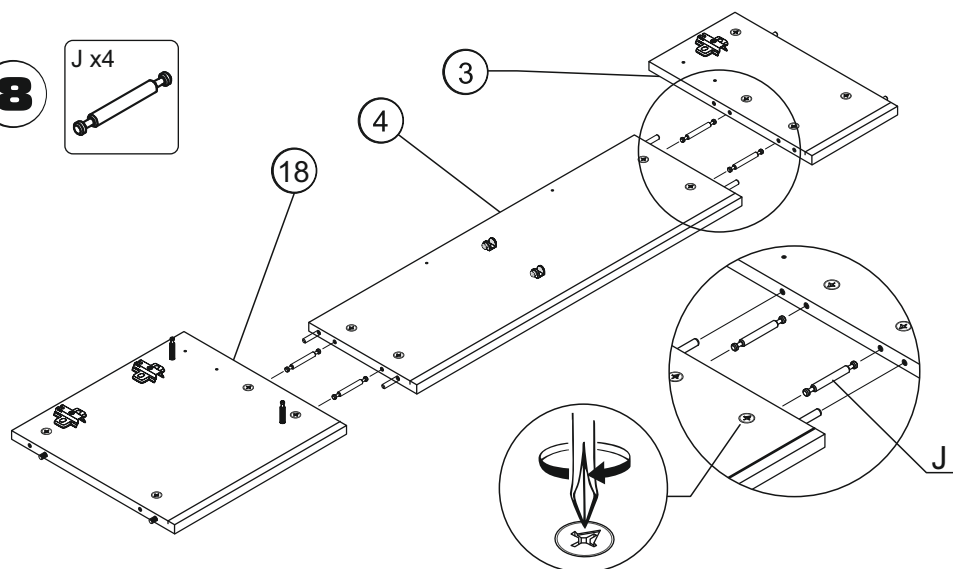
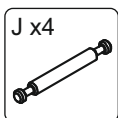
6



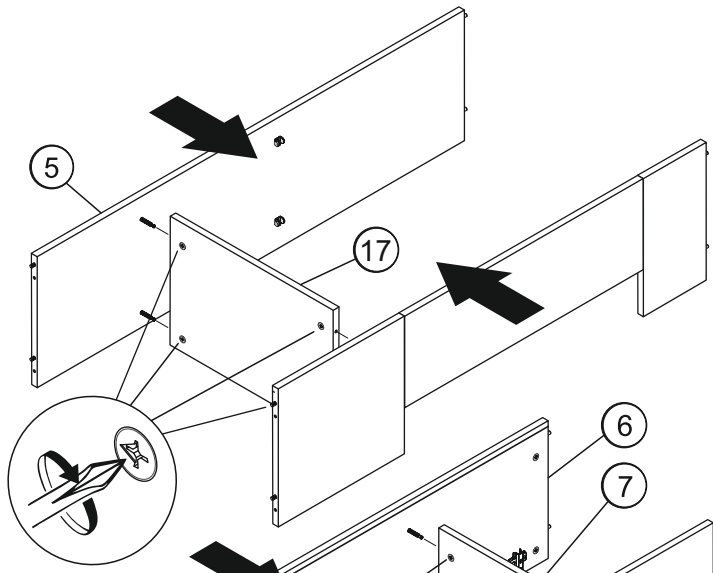
7



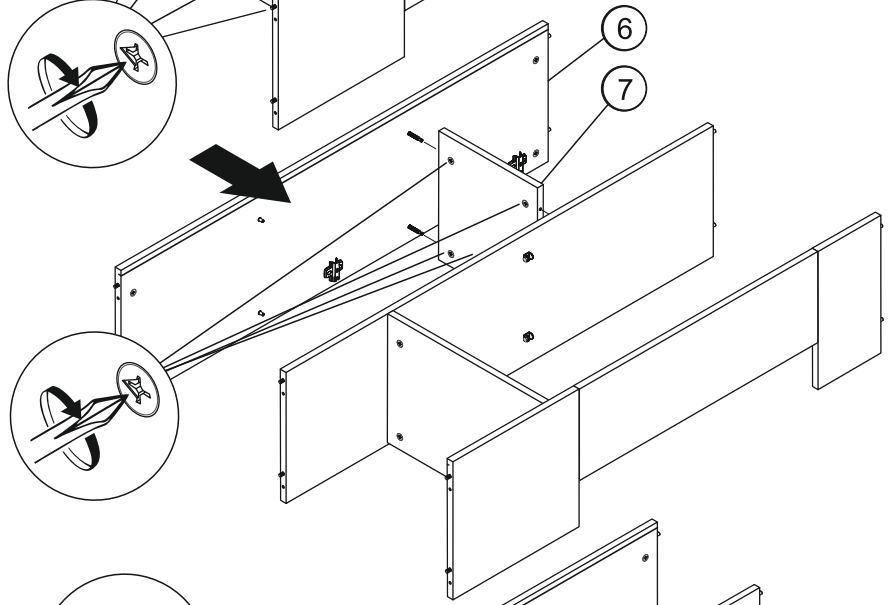
8



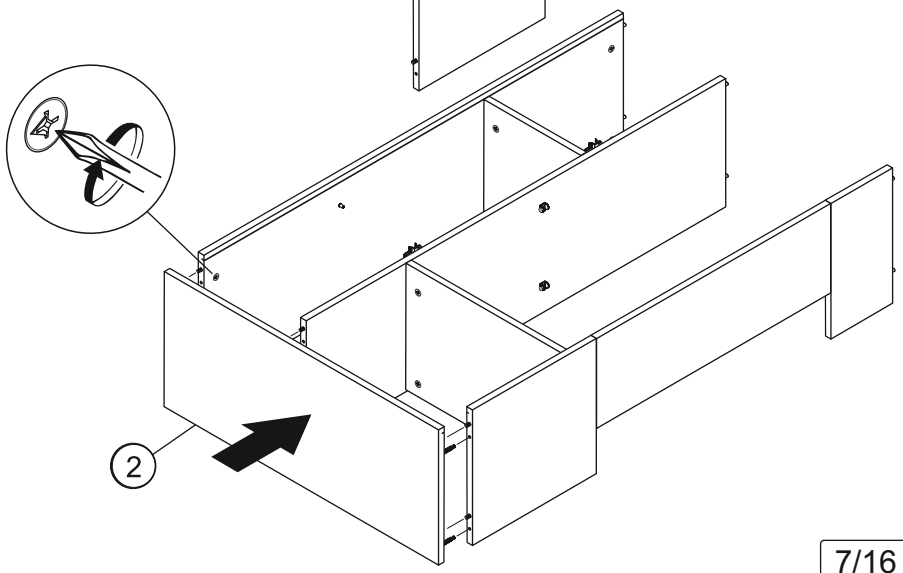
9



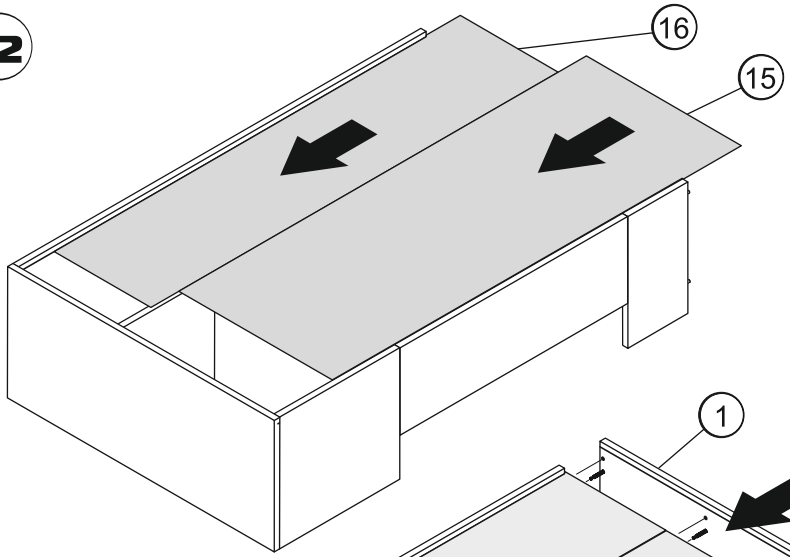
10



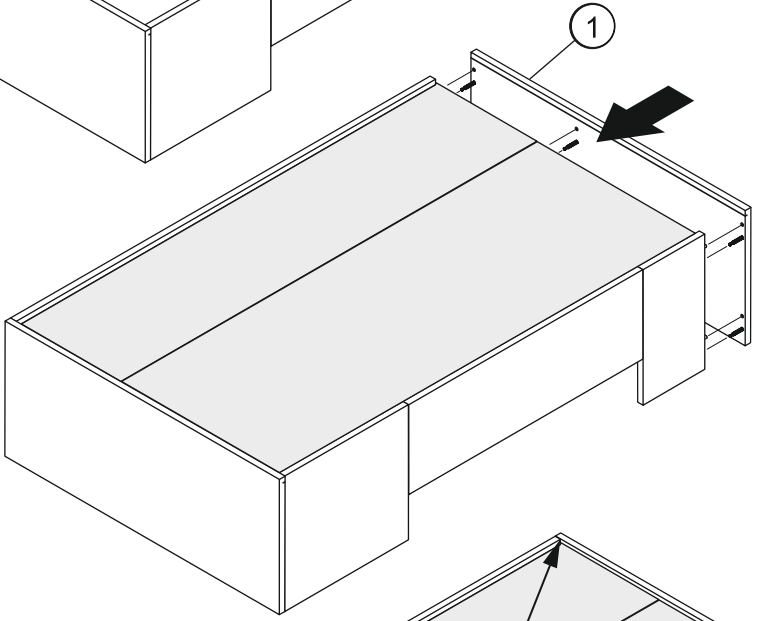
11



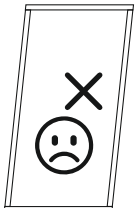
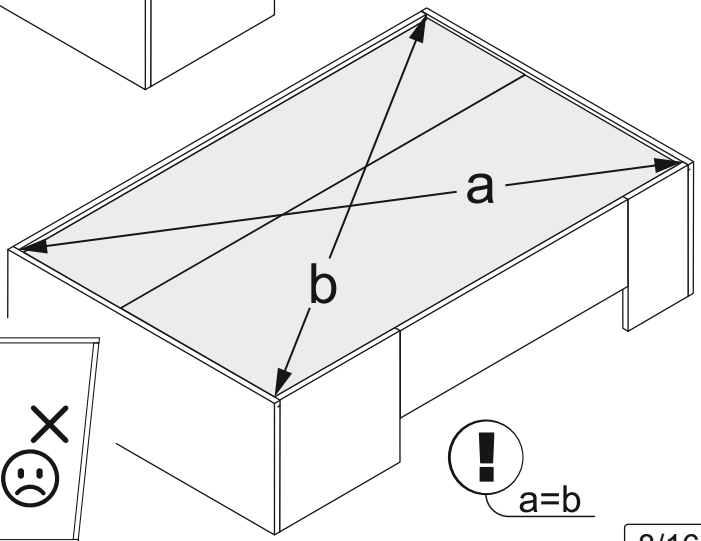
12



13

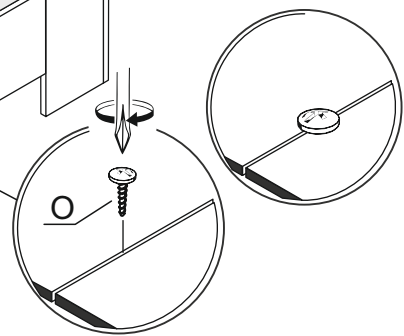
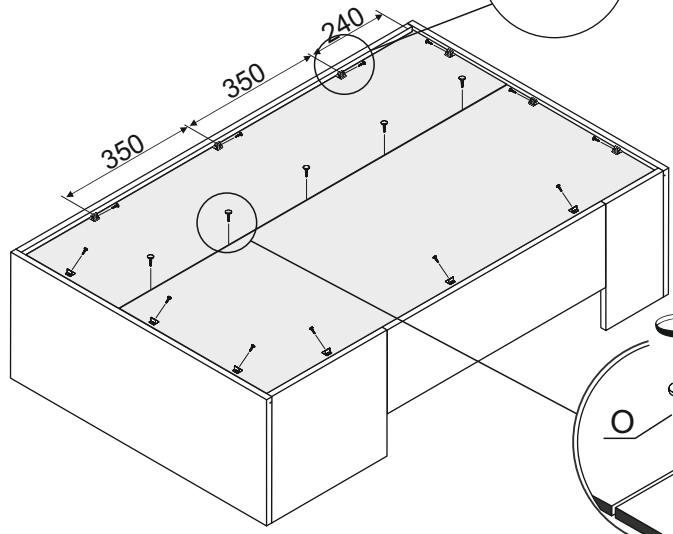
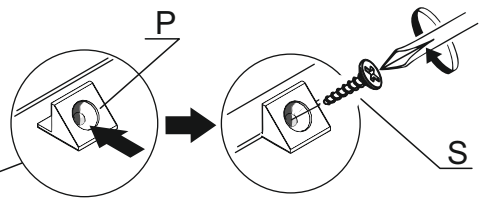
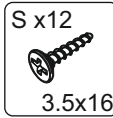
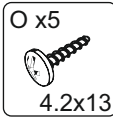
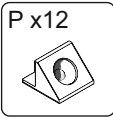


14

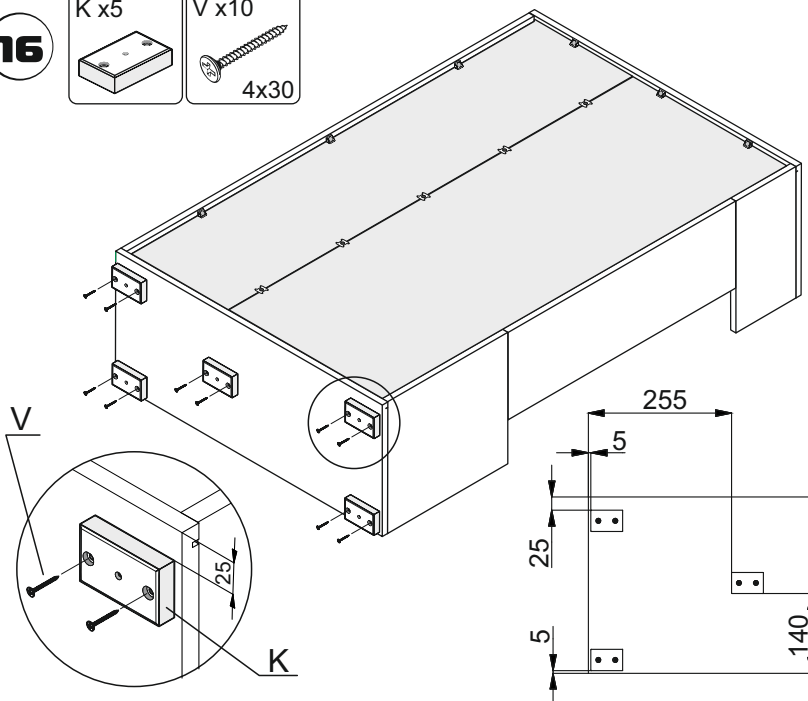
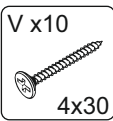
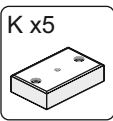


!
a=b

15



16



17

E x4

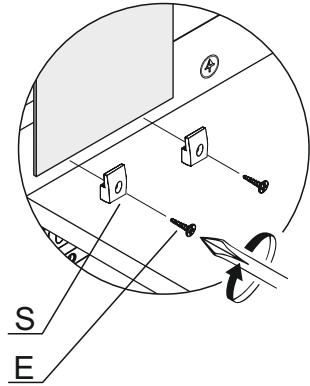
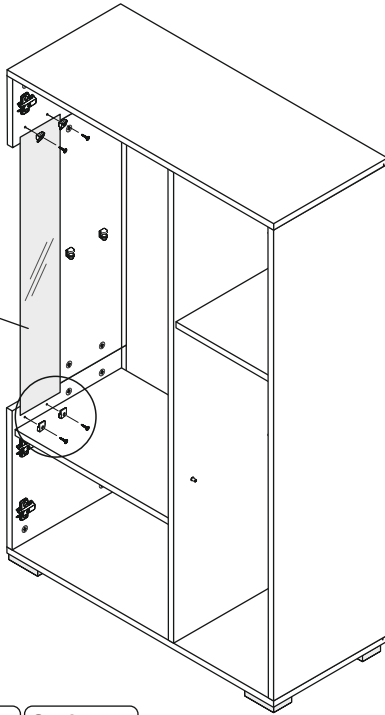


S x4



3.5x16

10



18

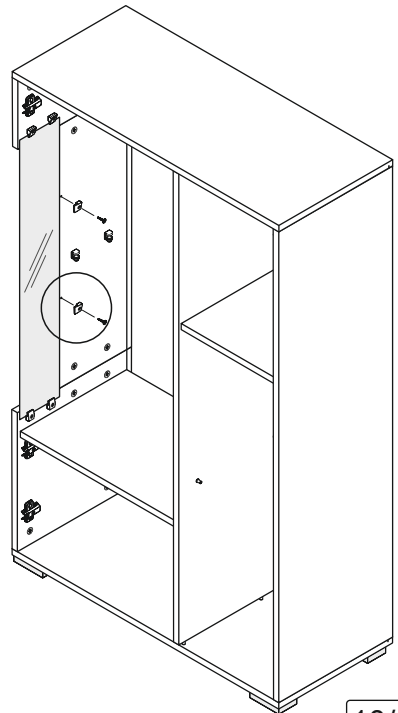
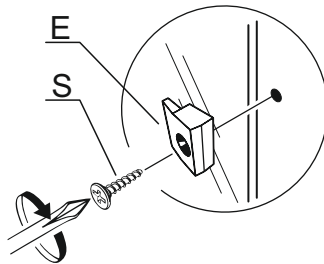
E x2



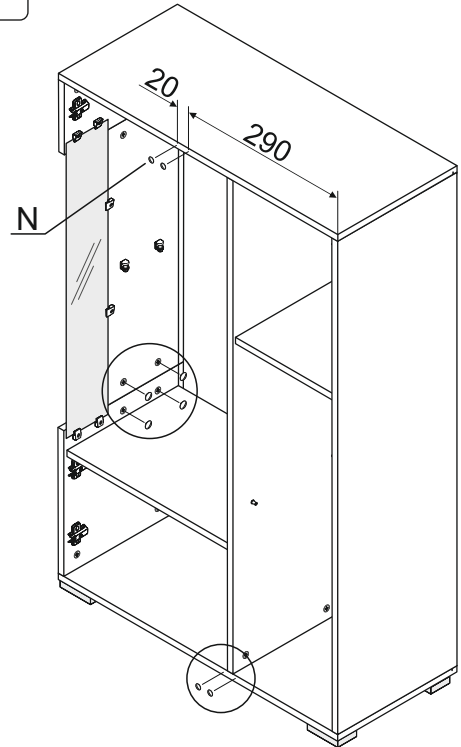
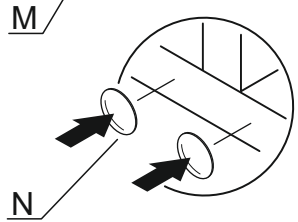
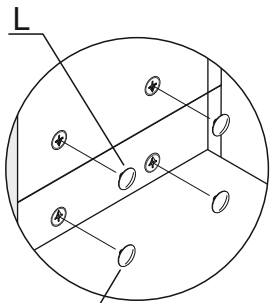
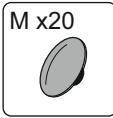
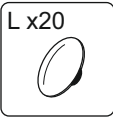
S x2



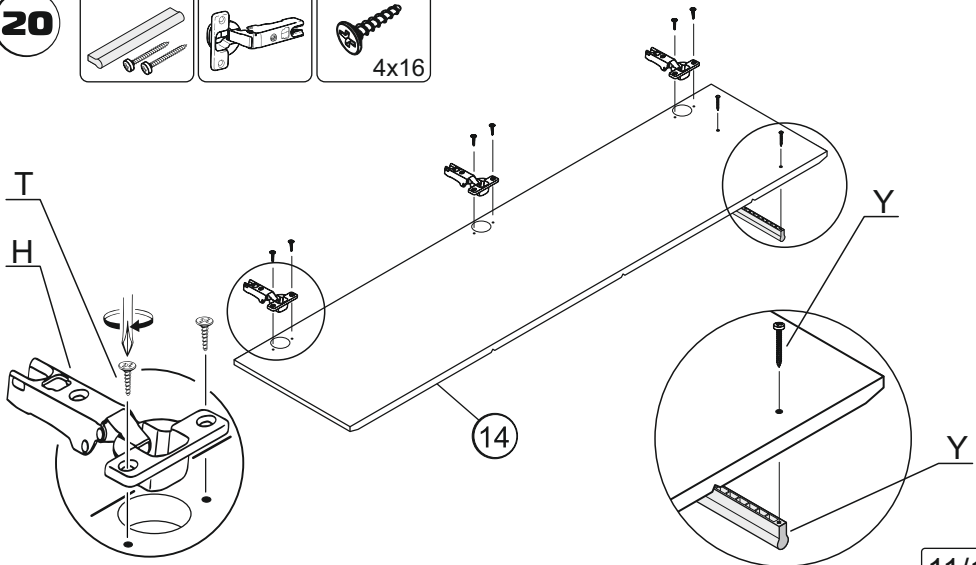
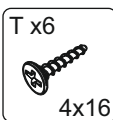
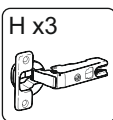
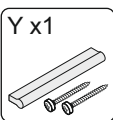
3.5x16



19



20

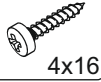


21

R x6



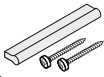
U x6



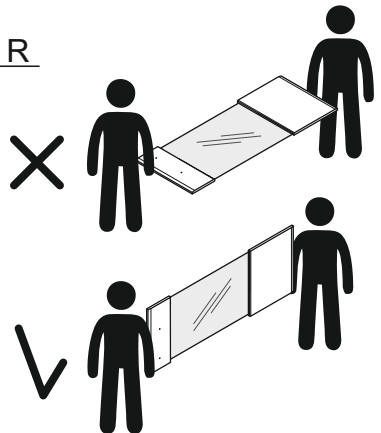
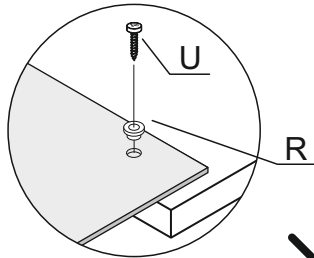
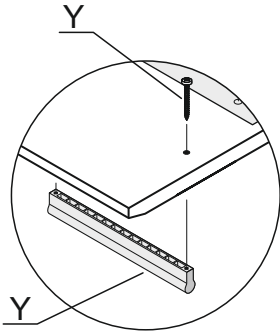
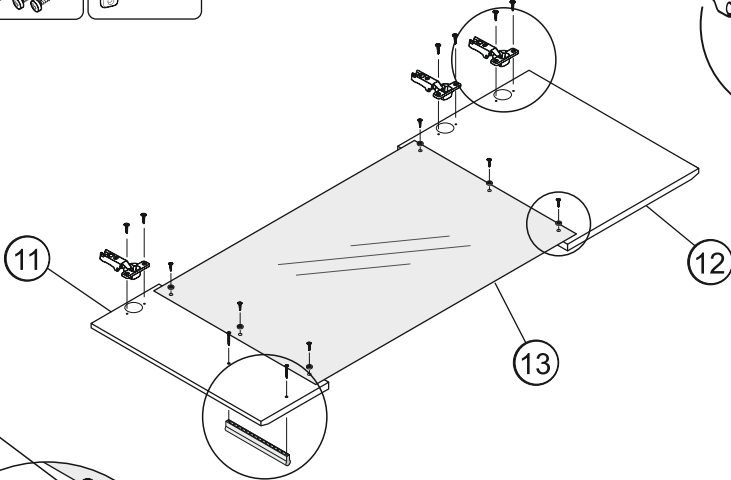
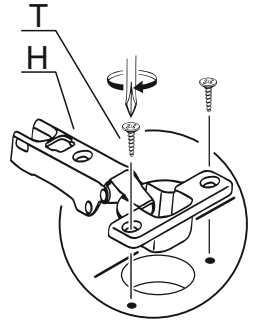
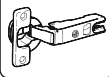
T x6



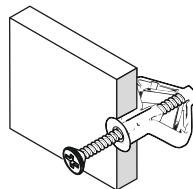
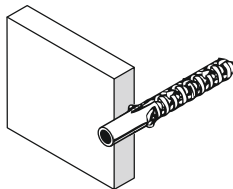
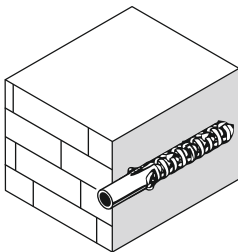
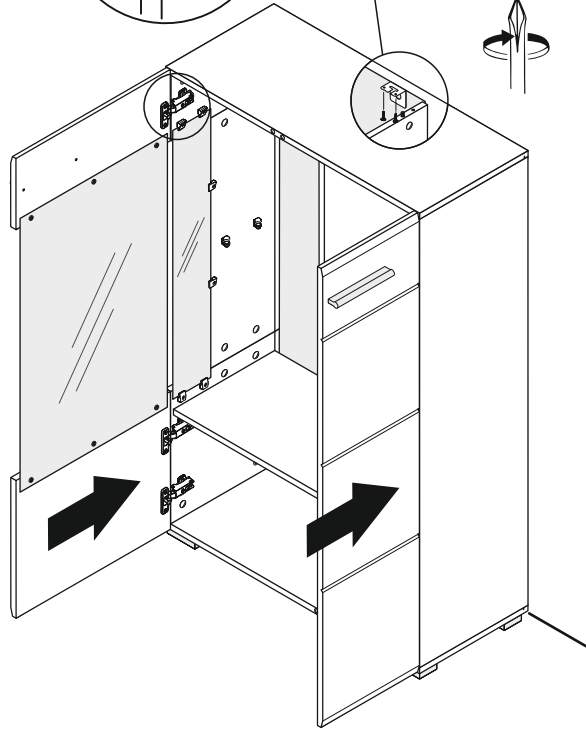
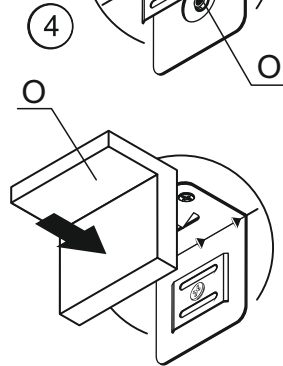
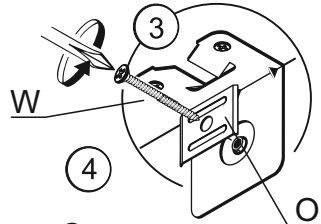
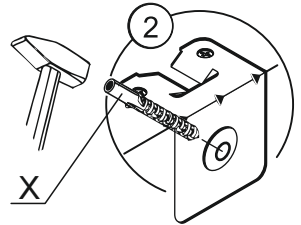
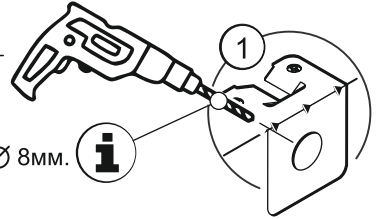
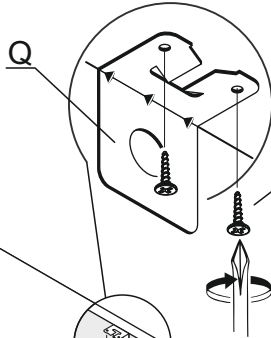
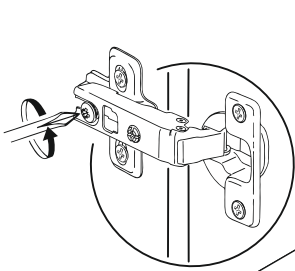
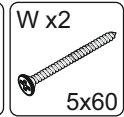
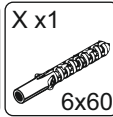
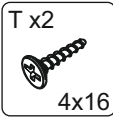
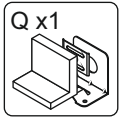
Y x1



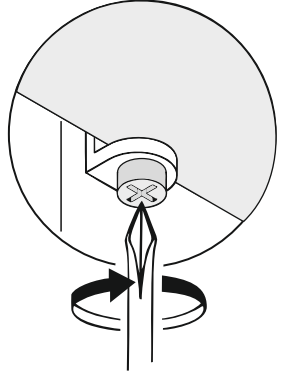
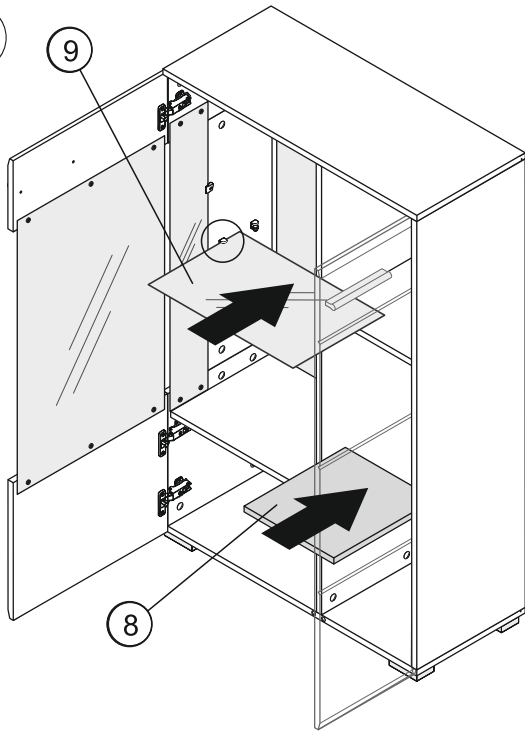
H x3



22



23



24

