

VT-1442

Kitchen machine

Кухонная машина

Инструкция по эксплуатации

GB Manual instruction	3
RUS Инструкция по эксплуатации	7
KZ Пайдалану нұсқасы	12
UA Інструкція з експлуатації	17
KG Пайдалануу боюнча нускама	22

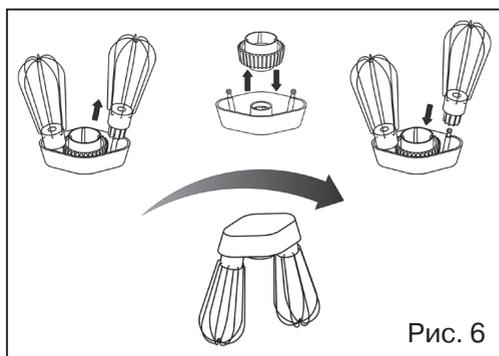
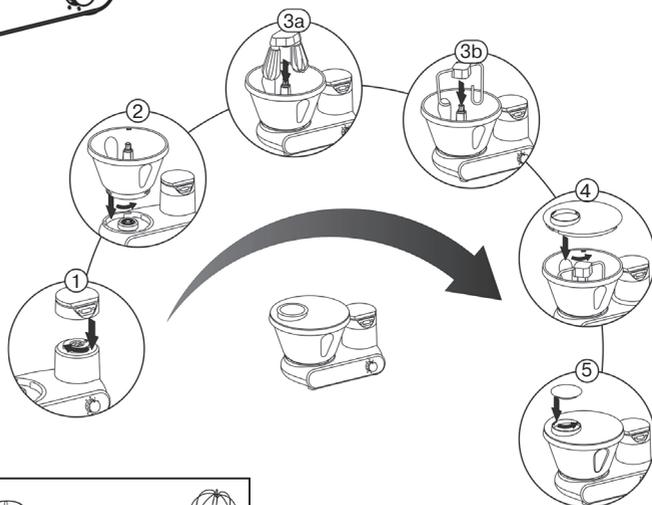
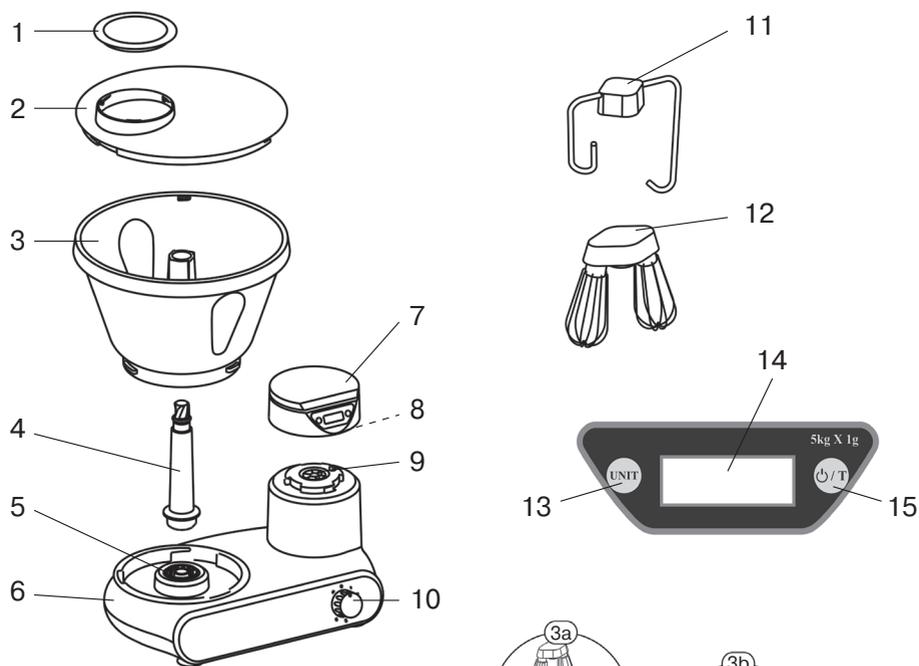


Рис. 6

KITCHEN MACHINE VT-1442

The kitchen machine is intended for mixing ingredients, making sauces and desserts (whipped cream, puddings, cocktails, mayonnaise) and for kneading dough. The electronic scale supplied with the kitchen machine help to measure the exact amount of necessary ingredients included in the recipe for food cooking.

DESCRIPTION

1. Lid of the opening for adding ingredients
2. Bowl lid
3. Bowl
4. Driving shaft
5. Driving shaft setting place
6. Motor unit
7. Electronic scale
8. Battery compartment lid
9. Scale setting place
10. Operation mode switch «P-0-1-2-3-4-5-6»
11. Dough hook
12. Double whisks
13. Weight measurement unit selection button «UNIT»
14. Display
15. On/off/tare button «/T»

SAFETY MEASURES

Before using the kitchen machine, read this instruction manual carefully and keep it for future reference.

Use the unit for intended purposes only, as specified in this manual. Mishandling of the unit may lead to its breakage and cause harm to the user or damage to his/her property.

- Before switching the kitchen machine on, make sure that voltage of the mains corresponds to unit operating voltage.
- Do not connect the kitchen machine to external timers or remote control mains sockets.
- Before using the kitchen machine, examine the attachments and the power cord closely and make sure that the attachments and the cord are not damaged. Do not use the unit if you find any damage.
- Provide that the power cord does not contact with hot surfaces and sharp furniture edges. Avoid damaging the power cord insulation.
- Do not use the unit near heat sources and open flame.
- Use only the attachments supplied.
- Do not use the kitchen machine for mixing hard ingredients, such as hard butter or frozen dough.

- Before installing the attachments, make sure that the power plug is not inserted into the mains socket.
- Before using the kitchen machine, make sure that the attachment is installed properly.
- Before connecting the kitchen machine to the mains, make sure that the operation mode switch is set to the position «0» (off).
- Do not use the unit outdoors.
- Maximal continuous operation time with the double whisks is up to 10 minutes. Make at least a 10-15 minute break before switching the kitchen machine on again.
- After you finish using the kitchen machine, switch it off by setting the operation mode switch to the position «0» and unplug the unit.
- Do not immerse the kitchen machine, the scale, the power plug or the power cord into water or any other liquids.
- If the unit is dropped into water, unplug it immediately, and only then take it out of the water.
- Do not touch the motor unit body, the power cord and the power plug with wet hands.
- Do not block the ventilation openings on the motor unit body during the unit operation; this may lead to the electric motor overheating.
- Never leave the plugged-in kitchen machine unattended.
- Always unplug the unit before cleaning or when you are not using it.
- Never pull the power cord when disconnecting the unit from the mains; take the power plug and carefully remove it from the mains socket.
- Clean the kitchen machine regularly.
- Do not touch the rotating attachment while using the kitchen machine.
- Do not allow hair or clothes edges get into the attachment's rotating zone.
- Do not allow children to touch the motor unit body, the power cord or the power plug during operation of the unit.
- Do not leave children unattended to prevent using the unit as a toy.
- This unit is not intended for usage by children.
- During the operation and breaks between the operation cycles, the unit should be placed out of reach of children.
- The unit is not intended for usage by physically or mentally disabled persons (including children) or by persons lacking experience or knowledge if they are not under supervision of a person who is responsible for their safety or

ENGLISH

if they are not instructed by this person on the usage of the unit.

- For child safety reasons do not leave polyethylene bags used as packaging unattended.

Attention! Do not allow children to play with polyethylene bags or packaging film. **Danger of suffocation!**

- Make sure that the electronic scale are installed properly, otherwise the kitchen machine will not switch on.
- Handle your electronic scale with care, as it is a precision instrument, do not subject it to high or low temperatures, high humidity, never expose it to direct sunlight and do not drop it.
- Avoid getting of liquids into the scale body, this appliance is not waterproof. Do not leave or use the scale in a room with high humidity (above 80%), make sure that the scale body does not come into contact with water or other liquids as this may cause failure of scale indications or its damage.
- Do not put products on the weighing platform if their weight exceeds the maximal capacity of the scale 5 kg.

Attention! The unit contains a lithium battery. Prevent children from swallowing the lithium battery. **If your child has swallowed a battery, immediately see your doctor.**

- Periodically check the power cord and the power plug isolation for damages.
- If the power cord is damaged, it should be replaced by the manufacturer, a maintenance service or similar qualified personnel to avoid danger.
- Do not repair the unit by yourself. Do not disassemble the unit by yourself, if any malfunction is detected or after it has fallen, unplug the unit and contact any authorized service center at the contact addresses given in the warranty certificate and on the website www.vitek.ru.
- To avoid damages, transport the unit in original package only.
- Keep the unit out of reach of children and disabled persons.

THE UNIT IS INTENDED FOR HOUSEHOLD USE ONLY, ITS COMMERCIAL USAGE AND USAGE IN PRODUCTION AREAS AND WORK SPACES IS PROHIBITED.

BEFORE THE FIRST USE

After unit transportation or storage under cold (winter) conditions, it is necessary to keep it

for at least three hours at room temperature before switching on.

- Unpack the unit and remove any promo-stickers that can prevent the unit operation.
- Check the unit for damages; do not use it in case of damages.
- Make sure that the operating voltage of the unit corresponds to the voltage of your mains.
- Wash the attachments (11, 12), the lids (1, 2) and the bowl (3) with warm water and neutral detergent, rinse them and dry.
- Clean the motor unit (6) with a soft, slightly damp cloth and then wipe it dry.

ELECTRONIC SCALE

Attention! The unit contains a lithium battery. Prevent children from swallowing the lithium battery. **If your child has swallowed a battery, immediately see your doctor.**

Installing the battery

- Remove the battery compartment lid (8) and insert a «CR2032» battery (supplied with the unit), following the polarity.
- Install the battery compartment lid (8) back to its place.

Notes: - if there is an isolation insert in the battery compartment, open the battery compartment lid (8), remove the isolation insert and install the battery compartment lid (8) back to its place.

Battery replacement

- When the battery is low, the symbol «» will appear on the display (14).
- Open the battery compartment lid (8), replace the old battery with a new «CR2032» battery, strictly following the polarity, then close the battery compartment lid (8).
- If you are not using the scale for a long time, remove the battery from the battery compartment.

Battery leakage can cause injuries or damage the unit. To avoid the unit damage, follow the instructions given below:

- use only the «CR2032» battery;
- do not recharge the battery;
- insert the battery strictly following the polarity;
- remove the battery if you are not planning to use the unit for a long time;
- replace the battery in time;
- apply to the specialized center for further recycling of the battery;
- avoid the power nippers circuit.

Using the scale

- You can use the scale (7) installed both on the motor unit (6) and any flat surface.
- To remove the scale (7) turn them counterclockwise and remove, place and use the scale on a flat dry steady surface.
- After using the scale (7) don't forget to install them on the motor unit (6) in the setting place (9) and turn the scale (7) clockwise until bumping, otherwise the kitchen machine will not switch on.

Weight measurement

- To switch the scale on, press the on/off/tare button (15) «**⏻/T**» and wait until the zero indications appear on the display (14).

Note: - if the indications on the display (14) are not equal to zero, press the button (15) «**⏻/T**» again, the indications will be set to zero.

- Select the required weight measurement units by pressing the button (13) «UNIT». The following symbols will appear on the display (14):
«Kg» - weight of product(s) in kilograms and grams;
«Lb» - weight of product(s) in pounds;
«Oz» - weight of product(s) in ounces;
«g» - weight of product(s) in grams.
- Put the ingredients on the scale, the display (14) will show the weight of the ingredient(s) depending on the selected measurement units.

Note: - for easy weighing you can place a suitable container on the scale and press the on/off/tare button (15) «**⏻/T**», the scale indications will be set to zero and during weighing the display (14) will show the weight of the ingredients.

- To switch the scale off remove the ingredients, press and hold the button (15) «**⏻/T**» for 3 seconds.

Notes: – the scale will be switched off automatically after 2 minutes of non-operation.

Consecutive weighing

If you want to measure weight of several ingredients without removing the previous ones from the scale or the container placed on the scale:

1. Place the scale on a flat, dry and stable surface.
2. To switch the scale on, press the on/off/tare button (15) «**⏻/T**» and wait until the zero indications appear on the display (14). When you set a container for ingredients on the scale, set the container weight to zero by pressing the button (15) «**⏻/T**».

Note: - if the indications on the display (14) are not equal to zero, press the button (15) «**⏻/T**» again, the indications will be set to zero.

3. Select the required weight measurement units by pressing the button (13) «UNIT», the following symbols will appear on the display (14):
«Kg» - weight of product(s) in kilograms and grams;
«Lb» - weight of product(s) in pounds;
«Oz» - weight of product(s) in ounces;
«g» - weight of product(s) in grams.
4. Put required quantity of the first ingredient on the scale checking the numeral indication on the display (14).
5. Press the button (15) «**⏻/T**», the display (14) weight indications will be set to zero.

Note: - when weighing ingredients consequently, the tare symbol «-» appears on the display (14).

6. Put required quantity of the second ingredient on the scale checking the numeral indication on the display (14).
7. Repeat steps 4, 5, 6 for consecutive weighing of the rest of ingredients.
8. Adding ingredients is available until the max. capacity (5 kg) is reached.
9. Remove all the ingredients from the scale, the display (14) will show the total weight of all ingredients.

Notes:

- the symbols «oL» on the display (14) indicate that the maximal capacity of 5 kg has been exceeded. Remove products from the scale immediately to prevent its damage.
- if the scale works improperly, try switching the power off. To do this, open the battery compartment lid (8) and take out the battery. After some time install the battery back to its place, install the lid (8) and switch the scale on.
- To switch the scale off remove the ingredients from the scale, press and hold the button (15) «**⏻/T**» for 3 seconds.

IMPORTANT

Electromagnetic compatibility

The electronic scale can be sensitive to electromagnetic emission of other units located in close proximity (such as mobile phones, portable radio transmitters, radio controllers and microwave ovens). If signs of such emission appear (false or inconsistent data indication on the display), relocate the scale or switch the source of interference for some time off.

ENGLISH

KITCHEN MACHINE

ATTACHMENTS (11, 12) (see the table)

Dough hook (11)

Use the attachment (11) for kneading yeasted dough, mixing minced meat etc. Mix dry ingredients for the dough at the speed «1-2», when kneading dough, increase or decrease the attachment (11) rotation speed with the operation mode switch (10).

Double whisk (12)

Use the whisk (12) for beating cream and egg white, making puddings, cocktails, cream, mayonnaise, sauces and for mixing liquid products. Recommended speed operation modes are 5-6.

Notes:

- Do not block the ventilation openings on the motor unit (6) during the unit operation; this may lead to the electric motor overheating.

Attachments	Picture	Recommended speed	Operation time	Recipe
Dough hook (11)		1, 2, 4	10 seconds at the speed 1, 20 seconds at the speed 2, 4 minutes at the speed 4	700 g flour and 350 ml water (water temperature 40 +/- 5 °C.)
Double whisk attachment (12)		5-6	10 min	6 egg whites

USING THE KITCHEN MACHINE

- Before installing the attachments make sure that the operation mode switch (10) is set to the position «0» and the plug is not inserted into the mains socket.
- 1. Place the scale (7) on the setting place (9) and turn them clockwise as far as it will go (pic. 1).
- 2. Install the driving shaft (4) to the setting place (5), install the bowl (3) and turn it counterclockwise (pic. 2).
- 3. Install one of the attachments (11 or 12) (pic. 3).
- 4. Put the necessary ingredients into the bowl (3). Install the lid (2) on the bowl (3) and turn it counterclockwise until bumping (pic. 4).
- 5. Install the lid (1) into the opening for adding ingredients and turn it counterclockwise until bumping (pic. 5).
- Insert the power plug into the mains socket.
- Switch the kitchen machine on by turning the operation mode switch (10), set the required attachment rotation speed (see the chapter «ATTACHMENTS»).
- During the kitchen machine operation you can add necessary ingredients. To do this, turn the lid (1) clockwise and remove it, add the necessary ingredients, install the lid (1) back to its place and turn it counterclockwise until bumping.

- You can use the pulse operating mode of the kitchen machine. For this set the operation mode switch (10) knob to the position «P» and hold it for some time.

Notes: - make at least a 10-15 minute break before switching the kitchen machine on again.

- After you finish the unit operation, set the operation mode switch (10) to the position «0» and unplug the unit.
- Remove the bowl (3) lid (2) by turning the lid (2) clockwise.
- Remove the installed attachment (11 or 12).
- Remove the bowl (3) rotating it clockwise.
- Take the ingredients out of the bowl (3).
- Remove the driving shaft (4).
- Wash the attachment (11 or 12), the bowl (3) and the lid (2) with warm water and neutral detergent, rinse them and dry.

CLEANING AND CARE

- Switch the unit off and unplug it.
- Wash the attachments (11, 12), the bowl (3), the lids (1, 2) and the driving shaft (4) with warm water and neutral detergent, then dry them.
- We recommend to disassemble the double whisk attachment for easy cleaning. Remove the whisks pulling upwards, remove the shaft gear, wash the parts with warm water and neutral detergent and dry them. Assemble the

whisk in reverse sequence: - Install the shaft gear, then install the whisks (pic. 6).

- Clean the motor unit (6) with a soft, slightly damp cloth and then wipe it dry.
- Do not immerse the scale, the kitchen machine, the power cord and the power plug into water or any other liquids.
- Provide that no water or detergent gets inside the motor unit (6).
- Clean the scale with a soft, slightly damp cloth and then wipe it dry. Do not immerse the scale into water or any other liquids.
- Use neutral detergents and cleaning agents to remove dirt; do not use metal brushes, abrasive detergents and solvents.

STORAGE

- Clean the unit.
- Remove the battery from the scale if you are not planning to use the scale for a long time.
- Keep the unit in a dry cool place away from children and people with disabilities.

DELIVERY SET

Kitchen machine with electronic scale – 1 pc.
 Bowl lid – 1 pc.
 Bowl – 1 pc.
 Attachments – 2 pcs.
 CR2032 battery – 1 pc.
 Instruction manual – 1 pc.

TECHNICAL SPECIFICATIONS

Power supply: 220-240 V ~ 50 Hz
 Rated input power: 1200 W
 Maximal power: 1400 W

Scale

Power supply: 3 V, «CR2032» battery (supplied with the unit)
 Maximal capacity of scale: 5 kg
 Scale division value: 1 g*

* For household kitchen scales the extent of error is not specified, so it is not stated in technical specifications.
 The term «extent of error» is used for industrial, analytical and medical scales. These

scales have pattern approval certificates which confirm the measurement accuracy. Moreover, specially appointed organizations perform annual «measurement accuracy confirmation» (checking) to confirm the scales accuracy.

RECYCLING



For environment protection do not throw out the unit and the batteries (if included), do not discard the unit and the batteries with usual household waste after the service life expiration; apply to specialized centers for further recycling. The waste generated during the disposal of the unit is subject to mandatory collection and consequent disposal in the prescribed manner. For further information about recycling of this product apply to a local municipal administration, a disposal service or to the shop where you purchased this product.

The manufacturer preserves the right to change design, structure and specifications not affecting general principles of the unit operation without a preliminary notification due to which insignificant differences between the manual and product may be observed. If the user reveals such differences, please report them via e-mail info@vitek.ru for receipt of an updated manual.

Unit operating life is 3 years

Guarantee

Details regarding guarantee conditions can be obtained from the dealer from whom the appliance was purchased. The bill of sale or receipt must be produced when making any claim under the terms of this guarantee.



This product conforms to the EMC Directive 2014/30/EU and to the Low Voltage Directive 2014/35/EU.

РУССКИЙ

КУХОННАЯ МАШИНА VT-1442

Кухонная машина предназначена для смешивания ингредиентов, приготовления соусов, десертов (взбитых сливок, пудингов, коктейлей, майонеза), а также для замешивания теста. Электронные весы, входящие в комплект кухонной машины, помогут отмерить точное количество необходимых ингредиентов, входящих в рецепт для приготовления продуктов.

ОПИСАНИЕ

1. Крышка отверстия для добавления ингредиентов
2. Крышка чаши
3. Чаша
4. Приводной вал
5. Место установки приводного вала
6. Моторный блок
7. Электронные весы
8. Крышка батарейного отсека
9. Место установки весов
10. Переключатель режимов работы «P-0-1-2-3-4-5-6»
11. Насадка для замешивания теста
12. Насадка «двойные венчики»
13. Кнопка выбора единиц взвешивания «UNIT»
14. Дисплей
15. Кнопка включения/выключения/последовательного взвешивания «**U/T**»

МЕРЫ БЕЗОПАСНОСТИ

Перед началом эксплуатации кухонной машины внимательно прочитайте настоящее руководство и сохраните его для использования в качестве справочного материала.

Используйте устройство только по его прямому назначению, как изложено в данном руководстве. Неправильное обращение с устройством может привести к его поломке, причинению вреда пользователю или его имуществу.

- Перед включением кухонной машины убедитесь, что напряжение электрической сети соответствует рабочему напряжению устройства.
- Запрещается подключать кухонную машину к внешним таймерам или к электрическим розеткам с дистанционным управлением.
- Перед использованием кухонной машины внимательно осмотрите насадки и состояние сетевого шнура и убедитесь, что насадки и сетевой шнур не имеют повреж-

дений. Если вы обнаружили повреждения, не пользуйтесь устройством.

- Не допускайте контакта сетевого шнура с горячими поверхностями и острыми краями мебели. Избегайте повреждения изоляции сетевого шнура.
- Не используйте устройство в непосредственной близости от источников тепла или открытого пламени.
- Используйте только насадки, входящие в комплект поставки.
- Запрещается использовать кухонную машину для смешивания твёрдых ингредиентов, таких как, например, твёрдое сливочное масло или замороженное тесто.
- Перед установкой насадок убедитесь, что вилка сетевого шнура не вставлена в розетку.
- Перед использованием кухонной машины убедитесь, что насадка установлена правильно.
- Прежде чем подключить кухонную машину к электрической сети, убедитесь, что переключатель режимов работы установлен в положении «0» (выключено).
- Запрещается использовать устройство вне помещений.
- **Максимальная продолжительность непрерывной работы с двойными венчиками – до 10 минут. Повторное включение кухонной машины производите не ранее, чем через 10-15 минут.**
- После эксплуатации кухонной машины выключите её, установив переключатель режимов работы в положение «0», выньте вилку сетевого шнура из розетки.
- Не погружайте кухонную машину, весы, сетевой шнур или вилку сетевого шнура в воду или любые другие жидкости.
- Если устройство упало в воду, выньте вилку сетевого шнура из розетки, только затем доставайте устройство из воды.
- Не прикасайтесь к корпусу моторного блока, сетевому шнуру и вилке сетевого шнура мокрыми руками.
- Во время работы не закрывайте вентиляционные отверстия на корпусе моторного блока, это может привести к перегреву электромотора.
- Не оставляйте кухонную машину, включенную в сеть, без присмотра.

- Отключайте устройство от сети перед чисткой, сменой насадок, а также если вы им не пользуетесь.
- Отключая устройство от электросети, никогда не дергайте за сетевой шнур, возьмитесь за вилку сетевого шнура и аккуратно извлеките её из розетки.
- Регулярно проводите чистку кухонной машины.
- Не касайтесь вращающейся насадки во время работы кухонной машины.
- Не допускайте попадания волос или краев одежды в зону вращения насадки.
- Не разрешайте детям касаться корпуса моторного блока, сетевого шнура и вилки сетевого шнура во время работы устройства.
- Осуществляйте надзор за детьми, чтобы не допустить использования прибора в качестве игрушки.
- Данное устройство не предназначено для использования детьми.
- Используйте устройство во время работы и в перерывах между рабочими циклами в недоступном для детей месте.
- Прибор не предназначен для использования лицами (включая детей) с пониженными физическими, психическими или умственными способностями или при отсутствии у них опыта или знаний, если они не находятся под контролем или не проинструктированы об использовании прибора лицом, ответственным за их безопасность.
- Из соображений безопасности детей не оставляйте полиэтиленовые пакеты, используемые в качестве упаковки, без надзора.

Внимание! Не разрешайте детям играть с полиэтиленовыми пакетами или упаковочной пленкой. **Опасность удушья!**

- Следите за правильностью установки электронных весов, в противном случае кухонная машина не включится.
- Обращайтесь с электронными весами аккуратно, как с любым измерительным прибором, не подвергайте весы воздействию высоких или низких температур, повышенной влажности, не подвергайте их воздействию прямых солнечных лучей и не роняйте их.
- Не допускайте попадания жидкости внутрь корпуса весов, данное устройство не является водонепроницаемым. Запрещается оставлять или использовать весы в местах с повышенной влажностью (более 80%),

не допускайте контакта корпуса весов с водой либо с другими жидкостями во избежание нарушения правильности показаний весов или выхода их из строя.

- Запрещается помещать на платформу для взвешивания продукты, вес которых превышает максимальный допустимый предел взвешивания 5 кг.

Внимание! Устройство содержит литиевый элемент питания. Не допускайте попадания литиевого элемента питания в пищевод ребёнка. Если ребенок проглотил элемент питания, немедленно обратитесь к врачу.

- Периодически проверяйте шнур питания и вилку шнура питания на предмет повреждения изоляции.
- При повреждении шнура питания его замену во избежание опасности должны производить изготовитель, сервисная служба или подобный квалифицированный персонал.
- Запрещается самостоятельно ремонтировать прибор. Не разбирайте прибор самостоятельно, при возникновении любых неисправностей, а также после падения устройства выключите прибор из розетки и обратитесь в любой авторизованный (уполномоченный) сервисный центр по контактным адресам, указанным в гарантийном талоне и на сайте www.vitek.ru.
- Во избежание повреждений перевозите устройство в заводской упаковке.
- Храните устройство в местах, недоступных для детей и людей с ограниченными возможностями.

УСТРОЙСТВО ПРЕДНАЗНАЧЕНО ТОЛЬКО ДЛЯ БЫТОВОГО ИСПОЛЬЗОВАНИЯ В ЖИЛЫХ ПОМЕЩЕНИЯХ, ЗАПРЕЩАЕТСЯ КОММЕРЧЕСКОЕ ИСПОЛЬЗОВАНИЕ И ИСПОЛЬЗОВАНИЕ УСТРОЙСТВА В ПРОИЗВОДСТВЕННЫХ ЗОНАХ И РАБОЧИХ ПОМЕЩЕНИЯХ.

ПЕРЕД ПЕРВЫМ ИСПОЛЬЗОВАНИЕМ

После транспортировки или хранения устройства в холодных (зимних) условиях необходимо выдержать его при комнатной температуре не менее трёх часов.

- Извлеките устройство из упаковки, удалите любые рекламные наклейки, мешающие его работе.
- Проверьте целостность устройства, при наличии повреждений не пользуйтесь устройством.

РУССКИЙ

- Убедитесь в том, что рабочее напряжение устройства соответствует напряжению электросети.
- Насадки (11, 12), крышки (1, 2), чашу (3) вымойте тёплой водой с добавлением нейтрального моющего средства, ополосните и просушите.
- Моторный блок (6) протрите мягкой, слегка влажной тканью, после чего вытрите насухо.

ЭЛЕКТРОННЫЕ ВЕСЫ

Внимание! Устройство содержит литиевый элемент питания. Не допускайте попадания литиевого элемента питания в пищевод ребёнка. Если ребенок проглотил элемент питания, немедленно обратитесь к врачу.

Установка элемента питания

- Снимите крышку батарейного отсека (8) и установите элемент питания «CR2032» (входит в комплект поставки), строго соблюдая полярность.
- Установите крышку батарейного отсека (8) на место.

Примечание: - при наличии изолирующей прокладки в батарейном отсеке откройте крышку батарейного отсека (8), извлеките прокладку и установите крышку батарейного отсека (8) на место.

Замена элемента питания

- При низком заряде элемента питания на дисплее (14) отобразится символ «+ -».
- Откройте крышку батарейного отсека (8), извлеките элемент питания, установите новый элемент питания «CR2032», строго соблюдая полярность, затем закройте крышку батарейного отсека (8).
- Если весы не используются продолжительное время, извлеките элемент питания из батарейного отсека.

Протечка элемента питания может стать причиной травм или повреждения устройства. Чтобы избежать повреждения, следуйте приведенным ниже инструкциям:

- используйте только элемент питания типоразмера «CR2032»;
- запрещается перезаряжать элемент питания;
- устанавливайте элемент питания, строго соблюдая полярность;

- вынимайте элемент питания, если устройство не будет использоваться в течение длительного времени;
- своевременно меняйте элемент питания.
- сдавайте элемент питания в специализированный пункт для дальнейшей утилизации;
- не допускайте замыкания зажимов питания.

Использование весов

- Вы можете использовать весы (7), установленные на моторном блоке (6), так и на любой ровной поверхности.
- Для того чтобы снять весы (7), поверните их против часовой стрелки и снимите, установите и используйте весы на ровной сухой и устойчивой поверхности.
- После использования весов (7), не забудьте установить их на моторный блок (6) в место установки (9) и повернуть весы (7) по часовой стрелке до упора, в противном случае кухонная машина не включится.

Взвешивание

- Для включения весов нажмите кнопку (15) включения/выключения/последовательного взвешивания « Φ/T » и дождитесь нулевых показаний на дисплее (14).

Примечание: - если показания на дисплее (14) не равны нулю, нажмите ещё раз кнопку (15) « Φ/T », показания обнулятся.

- Выберите необходимые единицы измерения веса, нажатием кнопки (13) «UNIT». На дисплее (14) отобразятся следующие символы:
«Kg» – вес продукта (продуктов) в килограммах и граммах;
«Lb» – вес продукта (продуктов) в фунтах;
«Oz» – вес продукта (продуктов) в унциях;
«g» – вес продукта (продуктов) в граммах.
- Поместите ингредиенты для взвешивания на весы, на дисплее (14) отобразится вес ингредиента (ов) в зависимости от выбранных единиц измерения.

Примечание: - для удобства при взвешивании, Вы можете поставить на весы подходящую ёмкость и нажать кнопку (15) включения/выключения/последовательного взвешивания « Φ/T », показания весов обнулятся и при взвешивании ингредиентов на дисплее (14) будет показан их вес.

- Для выключения весов уберите ингредиенты, нажмите и удерживайте кнопку (15) « Φ/T » в течение 3 секунд.

Примечание: - весы автоматически выключатся, если Вы ими не пользуетесь более 2 минут.

Последовательное взвешивание

Если Вы хотите последовательно взвесить нескольких ингредиентов, не убирая предыдущие с весов или из установленной на весы ёмкости:

1. Установите весы на ровную, сухую и устойчивую поверхность.
2. Для включения весов нажмите кнопку (15) включения/выключения/последовательного взвешивания «**ϕ/Т**» и дождитесь нулевых показаний на дисплее (14). При установке на весы ёмкости для продуктов, обнулите вес ёмкости, нажав на кнопку (15) «**ϕ/Т**».

Примечание: - если показания на дисплее (14) не равны нулю, нажмите ещё раз кнопку (15) «**ϕ/Т**», показания обнулятся.

3. Выберите необходимые единицы измерения веса, нажав на кнопки (13) «UNIT», на дисплее (14) отобразятся следующие символы:
«Kg» – вес продукта (продуктов) в килограммах и граммах;
«Lb» – вес продукта (продуктов) в фунтах;
«Oz» – вес продукта (продуктов) в унциях;
«g» – вес продукта (продуктов) в граммах.
4. Поместите на весы необходимое количество первого ингредиента, сверяясь с числовыми показаниями на дисплее (14).
5. Нажмите кнопку (15) «**ϕ/Т**», показания веса на дисплее (14) обнулится.

Примечание: - при последовательном взвешивании ингредиентов на дисплее (14) появляется символ тарирования «-».

6. Поместите на весы необходимое количество второго ингредиента, сверяясь с числовыми показаниями на дисплее (14).
7. Повторяйте шаги 4, 5, 6 для последовательного взвешивания остальных ингредиентов.
8. Добавление ингредиентов возможно до максимально предельного веса (5 кг).
9. Снимите с весов ингредиенты, на дисплее (14) отобразится общий вес всех ингредиентов.

Примечания:

- появление на дисплее (14) символов «oL» указывает на превышение максимально допустимого веса 5 кг. Срочно уберите

груз с весов, чтобы предотвратить их повреждение.

- если весы работают неправильно, попробуйте отключить питание. Для этого откройте крышку батарейного отсека (8) и извлеките элемент питания. Через некоторое время установите элемент питания на место, установите крышку (8) и включите весы.
- Для выключения весов уберите ингредиенты с весов и нажмите и удерживайте кнопку (15) «**ϕ/Т**» в течение 3 секунд.

ВАЖНО

Электромагнитная совместимость

Электронные весы могут быть чувствительны к электромагнитному излучению других устройств, расположенных в непосредственной близости (таких как мобильные телефоны, портативные радиостанции, пульты радиоуправления и микроволновые печи). В том случае если появились признаки такого воздействия (на дисплее отображаются ошибочные или противоречивые данные), переместите весы, либо отключите на время источник помех.

КУХОННАЯ МАШИНА

НАСАДКИ (11, 12) (см. таблицу)

Насадка для замешивания теста (11)

Насадку (11) используйте для замешивания дрожжевого теста, перемешивания фарша и т.п.

Сухие ингредиенты, предназначенные для теста, смешивайте на скорости «1-2», в процессе замешивания теста с помощью переключателя режимов работы (10) увеличивайте или уменьшайте скорость вращения насадки (11).

Двойной венчик для взбивания (12)

Используйте венчик (12) для взбивания сливок, яичного белка, приготовления пудингов, коктейлей, крема, майонеза, соусов, а также для смешивания жидких продуктов. Рекомендуемые скоростные режимы работы – от 5 до 6.

Примечание:

- Во время работы не закрывайте вентиляционные отверстия на моторном блоке (6), это может привести к перегреву электромотора.

РУССКИЙ

Насадки	Рисунок	Рекомендуемые скорости	Время работы	Рецепт
Насадка для замешивания теста (11)		1, 2, 4	10 секунд на скорости 1, 20 секунд на скорости 2, 4 минуты на скорости 4	700 г муки и 350 мл воды (температура воды 40 +/- 5 °C.)
Насадка «двойной венчик» (12)		5-6	10 мин	6 яичных белков

ИСПОЛЬЗОВАНИЕ КУХОННОЙ МАШИНЫ

- Перед установкой насадок убедитесь в том, что переключатель режимов работы (10) находится в положении «0», а вилка сетевого шнура не вставлена в электрическую розетку.
- 1. Установите весы (7) на место их установки (9) и поверните по часовой стрелке до упора (рис. 1).
- 2. Установите приводной вал (4) в место установки (5), установите чашу (3) и поверните её против часовой стрелки (рис. 2).
- 3. Установите одну из насадок (11 или 12) (рис. 3).
- 4. Поместите необходимые ингредиенты в чашу (3). Установите на чашу 3 крышку (2) и поверните её против часовой стрелки до упора (рис. 4).
- 5. Установите крышку (1) в отверстие для добавления ингредиентов и поверните её против часовой стрелки до упора (рис. 5).
- Вставьте вилку сетевого шнура в электрическую розетку.
- Включите кухонную машину поворотом переключателя режимов работы (10), установите необходимую скорость вращения насадок (см. пункт «НАСАДКИ»).
- Во время работы кухонной машины, Вы можете добавить необходимые ингредиенты, для этого поверните крышку (1) по часовой стрелке и снимите её, добавьте необходимые ингредиенты, установите крышку (1) на место и поверните её против часовой стрелки до упора.
- Вы можете использовать импульсный режим работы кухонной машины. Для этого установите ручку переключателя режимов работы (10) в положение «P» и удерживайте её в течение некоторого времени.

Примечание: - повторное включение кухонной машины производите не ранее, чем через 10-15 минут.

- Завершив работу, установите переключатель режимов работы (10) в положение «0» и извлеките вилку сетевого шнура из электрической розетки.
- Снимите крышку (2) чаши (3), для этого поверните крышку (2) по часовой стрелке.
- Выньте установленную насадку (11 или 12).
- Снимите чашу (3), повернув её по часовой стрелке.
- Извлеките ингредиенты из чаши (3).
- Снимите приводной вал (4).
- Промойте насадку (11 или 12), чашу (3) и крышку (2) в тёплой воде с использованием нейтрального моющего средства, ополосните и просушите.

ЧИСТКА И УХОД

- Выключите устройство и извлеките вилку сетевого шнура из электрической розетки.
- Вымойте насадки (11, 12), чашу (3), крышку (1, 2), приводной вал (4) тёплой водой с нейтральным моющим средством, затем просушите их.
- Насадку «двойной венчик» рекомендуется разобрать для удобства промывки. Снимите венчики по направлению вверх, снимите шестерёнку привода, промойте детали тёплой водой с нейтральным моющим средством, затем просушите их. Соберите венчик в обратной последовательности: - установите шестерёнку привода, установите венчики (рис. 6).
- Протрите моторный блок (6) мягкой, слегка влажной тканью, после чего вытрите насухо.
- Запрещается погружать весы, кухонную машину, сетевой шнур и вилку сетевого шнура в воду или в любые другие жидкости.

- Не допускайте попадания воды и чистящих веществ внутрь моторного блока (6).
- Весы протрите мягкой, слегка влажной тканью, после чего вытрите насухо. Запрещается погружать весы в воду и любые другие жидкости.
- Для удаления загрязнений используйте нейтральные чистящие и моющие средства, не используйте металлические щётки, абразивные чистящие средства и растворители.

ХРАНЕНИЕ

- Произведите чистку устройства.
- Вынимайте из весов элемент питания, если весы не будут использоваться в течение длительного времени.
- Храните устройство в сухом прохладном месте, недоступном для детей и людей с ограниченными возможностями.

КОМПЛЕКТ ПОСТАВКИ

Кухонная машина с электронными весами – 1 шт.
Крышка чаши – 1 шт.
Чаша – 1 шт.
Насадки – 2 шт.
Элемент питания CR2032 – 1 шт.
Инструкция – 1 шт.

ТЕХНИЧЕСКИЕ ХАРАКТЕРИСТИКИ

Электропитание: 220-240 В ~ 50 Гц
Номинальная потребляемая мощность: 1200 Вт
Максимальная мощность: 1400 Вт

Весы

Электропитание: 3 В, элемент «CR2032» (входит в комплект поставки)
Максимальный предел взвешивания: 5 кг
Цена деления шкалы: 1 г*

* Для бытовых кухонных весов величина погрешности не оговаривается, поэтому в технических характеристиках она не указывается.

Термин «погрешность» используют для промышленных, аналитических и медицинских весов. Эти весы имеют метрологические сертификаты, подтверждающие точность измерений. Более того, для подтверждения точности этих весов специально утверждённые организации производят ежегодное «подтверждение точности измерений весов» (поверку).

Производитель сохраняет за собой право изменять дизайн, конструкцию и технические характеристики, не влияющие на общие принципы работы устройства, без предварительного уведомления, из-за чего между инструкцией и изделием могут наблюдаться незначительные различия. Если пользователь обнаружил такие несоответствия, просим сообщить об этом по электронной почте info@vitek.ru для получения обновленной версии инструкции.

УТИЛИЗАЦИЯ



В целях защиты окружающей среды, после окончания срока службы прибора и элементов питания (если входят в комплект), не выбрасывайте их вместе с обычными бытовыми отходами, передайте прибор и элементы питания в специализированные пункты для дальнейшей утилизации.

Отходы, образующиеся при утилизации изделий, подлежат обязательному сбору с последующей утилизацией в установленном порядке. Для получения дополнительной информации об утилизации данного продукта обратитесь в местный муниципалитет, службу утилизации бытовых отходов или в магазин, где Вы приобрели данный продукт.

Срок службы устройства – 3 года



Данное изделие соответствует всем требуемым европейским и российским стандартам безопасности и гигиены.

ИЗГОТОВИТЕЛЬ: СТАР ПЛЮС ЛИМИТЕД
(STAR PLUS LIMITED)

**МЕСТОНАХОЖДЕНИЕ И ПОЧТОВЫЙ АДРЕС
ДЛЯ СВЯЗИ:** ЮНИТ БИ ЭНД СИ, 15Й ЭТАЖ,
КЭЙСИ АБЕРДИН ХАУС, №38, ХЕНГ ИП РОУД,
ВОНГ ЧУК ХАНГ, ГОНКОНГ, КНР

ИМПОРТЕР: ООО «ВИТЕК.РУС»

**МЕСТОНАХОЖДЕНИЕ И ПОЧТОВЫЙ АДРЕС
ДЛЯ СВЯЗИ:** 117209, РФ, Г. МОСКВА,
СЕВАСТОПОЛЬСКИЙ ПР-КТ, Д. 28, КОРП. 1.

www.vitek.ru

ТЕЛЕФОН ДЛЯ СПРАВОК: 8-800-100-18-30

СДЕЛАНО В КНР

АСҮЙЛІК МАШИНА VT-1442

Асүйлік машина ингредиенттерді араластыруға, тұздықтар, тәттілерді (көпіршітілген кілегей, пудинг, коктейль, майонез) әзірлеуге, сонымен қатар қамыр илеуге арналған. Асүйлік машинаның жинағына кіретін электрондық таразы азық дайындауға арналған рецепт бойынша қажетті ингредиенттердің нақты көлемін өлшеуге көмектеседі.

СИПАТТАМАСЫ

1. Ингредиенттерді қосуға арналған тесік қақпақ
2. Тостаған қақпағы
3. Тостаған
4. Жетекті білік
5. Жетекті білікті орнататын орын
6. Мотор блогы
7. Электрондық таразы
8. Батареялық бөліктің қақпағы
9. Таразыны орнататын орын
10. Жұмыс тәртіптерін ауыстырғыш «P-0-1-2-3-4-5-6»
11. Қамыр илеуге арналған қондырма
12. «Қосарлы бұлғауыш» қондырмасы
13. Өлшеу бірліктерін таңдайтын «UNIT» түймесі
14. Дисплей
15. Қосу/өшіру/жүйелі түрде таразылау түймесі «**U/T**»

ҚАУІПСІЗДІК ШАРАЛАРЫ

Асүйлік машинаны пайдалану алдында осы басшылық құжатты мұқият оқып шығыңыз және анықтамалық материал ретінде пайдалану үшін сақтап қойыңыз.

Құралды осы басшылық құжатта баяндалғандай тек қана тікелей мақсаты бойынша ғана пайдалану керек. Құралды дұрыс пайдаланбау жағдайы оның бұзылуына әкеліп соғуы, пайдаланушыға немесе оның мүлкіне зиян келтіруі мүмкін.

- Асүйлік машинаны іске қосу алдында электр желісінің кернеуі құралдың жұмыс кернеуіне сәйкес келетініне көз жеткізу керек.
- Асүйлік машинаны сыртқы таймерлерге немесе дистанциондық басқаруы бар электрлік розеткаларға қосуға тыйым салынады.
- Асүйлік машинаны пайдалану алдында қондырмалары мен желі бауының күйін мұқият қарап шығыңыз және қондырмалар мен желі бауының зақымданудың жоқтығына көз жеткізу керек. Егер зақымдану анықталса, онда құралды пайдалануға болмайды.
- Желілік сымның ыстық беттерге және жиһаздың өткір жиектеріне тиюіне жол бермеңіз. Желі бауының оқшауламасының бұзылуына жол бермеу керек.

- Құралды жылу көздерінен немесе ашық алаудан тікелей жақын пайдалануға болмайды.
- Жеткізілім жиынтығына кіретін қондырмаларды ғана пайдаланыңыз.
- Асүйлік машинаны қатты сары май немесе мұздатылған қамыр сияқты қатты ингредиенттерді араластыру үшін пайдалануға тыйым салынады.
- Қондырмаларды орнату алдында желі бауының айыры электр розеткасына салынбағанына көз жеткізіңіз.
- Асүйлік машинаны пайдалану алдында қондырмалар дұрыс орнатылғандығына және бекітілгендігіне көз жеткізіңіз.
- Асүйлік машинаны электр желісіне қосудың алдында жұмыс тәртіптерін ауыстырғыштың «0» (сөндірілген) күйінде тұрғанына көз жеткізіңіз.
- Құралды үй-жайдан тыс жерде пайдалануға тыйым салынады.
- Қосарлы бұлғауышпен үздіксіз жұмыс істеудің максималдық ұзақтығы – 10 минутқа дейін. Асүйлік машинаны қайта іске қосуды 10-15 минуттан кейін жүзеге асырыңыз.
- Асүйлік машинаны қолданғаннан кейін оны өшіріңіз, жұмыс тәртібін ауыстырғышты «0» күйіне орнатып, желі бауының айырын розеткадан шығарыңыз.
- Асүйлік машинаны, таразыны, желілік бауды немесе желілік баудың айырын суға немесе кез келген басқа сұйықтықтарға салуға болмайды.
- Егер құрал суға түсіп кетсе, желілік баудың айырын розеткадан суырыңыз, содан кейін ғана құралды судан шығарыңыз.
- Мотор блогының корпусына, желілік бауға және желілік баудың айырын дымқыл қолмен ұстауға болмайды.
- Жұмыс уақытында моторлық блоктағы желдететін тесіктерді жабуға болмайды, бұл электрлік мотордың қызып кетуіне әкелуі мүмкін.
- Желіге қосылған асүйлік машинаны қараусыз қалдырмаңыз.
- Қондырманы тазалау, ауыстыру алдында, сонымен қатар оны пайдаланбайтын болмаңыз, онда құралды өшіріп қойыңыз.
- Құралды электр желісінен ажыратқан кезде желілік баудан тартуға болмайды, желілік баудың айырынан ұстаңыз және оны розеткадан абайлап шығарыңыз.
- Асүйлік машинаны тазалауды жүйелі түрде жүргізу керек.
- Асүйлік машина жұмыс істеп тұрғанда айналып тұрған қондырмаға тиіспеңіз.

- Қондырманың айналып тұрған аумағына шаштың немесе киімнің шеті тиюіне жол бермеңіз.
- Құрал жұмыс істеп тұрғанда балалардың мотор блогының корпусына, желілік бауға және желілік баудың айырына қол тигізуіне рұқсат етпеңіз.
- Балалар аспапты ойыншық ретінде пайдаланбауы үшін оларды қадағалаңыз.
- Берілген құрал балалардың пайдалануына арналмаған.
- Құралды жұмыс істеу уақытында және жұмыс циклдері арасындағы үзілістерде балалардың қолы жетпейтін жерде пайдаланыңыз.
- Дене, жүйке немесе сана мүмкіндіктері төмендетілген тұлғалардың (балаларды қоса) немесе оларда тәжірибесі немесе білімі болмаса, егер олар бақыланбаса немесе олардың қауіпсіздігі үшін жауап беретін тұлғамен аспапты пайдалану туралы нұсқаулықтар берілген болмаса, осы аспап олардың пайдалануына арналмаған.
- Балалардың қауіпсіздігі үшін орама ретінде пайдаланылатын, полиэтилен пакеттерді қадағалаусыз қалдырмаңыз.

Назар аударыңыз! Балаларға полиэтилен пакеттермен немесе қаптама үлдірмен ойнауға рұқсат бермеңіз. **Тұншығу қаупі!**

- Электрондық таразының дұрыс орнатылуын қадағалаңыз, кері жағдайда асуылік машина қосылмайды.
- Кез-келген өлшеу аспабы сияқты таразыны ұқыпты пайдаланыңыз, оған жоғары немесе төмен температура, жоғары ылғалдылық әсерін тигізбеңіз, тікелей күн сәулесі әсерінің тиюіне жол бермеңіз және құралды құлатпаңыз.
- Таразы корпусының ішіне сұйықтың тиюіне жол бермеңіз, бұл құрал су өтпейтін болып есептелмейді. Таразыны ылғалдылығы жоғары (80% асатын) жерлерде қалдыруға немесе пайдалануға тыйым салынады, таразы көрсеткіштерінің дұрыстығы бұзылуына немесе оның істен шығуына жол бермеу үшін құралдың сумен немесе басқа сұйықтықтармен жанасуына жол бермеңіз.
- Өлшеу платформасына салмағы 5 кг максималдық рұқсатты өлшеу шегінен асатын тамақ өнімдерін салуға тыйым салынады.

Назар аударыңыз! Құралдың құрамында литийлік қуаттандыру элементі бар. Литийлік қуаттандыру элементінің баланың өңешіне түсуіне жол бермеңіз. **Егер бала қуаттандыру элементін жұтып қойса, дереу дәрігерге көрсету керек.**

- Желі бауы мен желі бауының айырының оқшаулауының зақымдануына қатысты жүйелі түрде тексеріп тұрыңыз.
- Қуаттандыру бауы зақымданғанда қауіп тудырмау үшін оны дайындаушы, сервистік қызмет немесе баламалы білікті маман ауыстыруы тиіс.
- Құралды өздігінен жөндеуге тыйым салынады. Аспапты өздігіңізден бөлшектемеңіз, кез-келген ақаулықтар пайда болған кезде, сонымен қатар құрал құлағаннан кейін аспапты розеткадан өшіріп, кез-келген авторландырылған (өкілетті) қызмет көрсету орталығына кепілдеме талонында және www.vitek.ru сайтында көрсетілген байланысу мекен-жайлары бойынша хабарласыңыз.
- Құралды зақымдамау үшін тек зауыт қаптамасында тасымалдаңыз.
- Құралды балалардың және мүмкіндіктері шектеулі адамдардың қолы жетпейтін жерде сақтаңыз.

ҚҰРЫЛҒЫ ТҰРҒЫН ПАНАЖАЙЛАРДА ТҰРМЫСТЫҚ ПАЙДАЛАНУ ҮШІН АРНАЛҒАН, ҚҰРЫЛҒЫНЫ КОММЕРЦИЯЛЫҚ ПАЙДАЛАНУ ЖӘНЕ ӨНДІРІСТІК АЙМАҚТАР МЕН ЖҰМЫС ПАНАЖАЙЛАРЫНДА ПАЙДАЛАНУҒА ТЫЙЫМ САЛЫНАДЫ.

АЛҒАШҚЫ ПАЙДАЛАНУ АЛДЫНДА

Құрылғы тасымалданғаннан кейін немесе төмен температурада сақталған жағдайда оны бөлме температурасында үш сағаттан кем емес уақыт ұстау қажет.

- Құралды қаптамадан шығарыңыз, оның жұмысына кедергі келтіретін, кез-келген жарнамалық жапсырмаларды алып тастаңыз.
- Құрылғының бүтіндігін тексеріңіз, бүлінюлері болған жағдайда оны пайдаланбаңыз.
- Құрылғының жұмыс кернеуі электрлік желінісіндегі кернеуге сәйкес келетіндігі тексеріңіз.
- Қондырмаларды (11, 12), қақпақты (1, 2), тостағанды (3) бейтарап жуу құралы қосылған жылы сумен жуыңыз, шайыңыз және кептіріңіз.
- Мотор блогын (6) дымқыл, жұмсақ матамен сүртіңіз, артынан құрғатып сүртіңіз.

ЭЛЕКТРОНДЫҚ ТАРАЗЫ

Назар аударыңыз! Құралдың құрамында литийлік қуаттандыру элементі бар. Литийлік қуаттандыру элементінің баланың өңешіне түсуіне жол бермеңіз. **Егер бала қуаттандыру элементін жұтып қойса, дереу дәрігерге көрсету керек.**

Қуаттандыру элементтерін орнату

- Батареялық бөліктің қақпағын (8) ашыңыз және «CR2032» қуат көзін (жеткізу жинағына кіреді), қарама-қайшылықты қатаң сақтай отырып орнатыңыз.
- Батареялық бөліктің (8) қақпағын орнатыңыз.

Ескертпе: – батареялық бөлікте оқшаулағыш аралық қабат болған кезде, батареялық бөліктің қапағын (8) ашыңыз, аралық қабатты шығарыңыз және батареялық бөліктің қақпағын (8) орнына орнатыңыз.

Қуаттандыру элементтерін ауыстыру

- Қоректендіру элементінің төмен заряды кезінде дисплейде (14) «» таңбасы пайда болады.
- Батареялық бөліктің қақпағын (8) ашыңыз, қуат элементін алыңыз, қарама-қайшылықты қатаң сақтап, «CR2032» қуаттандырудың жаңа қуаттандыру элементін орнатыңыз, батареялық бөліктің қақпағын (8) жабыңыз.
- Егер таразы ұзақ уақыт бойы пайдаланылмайтын болса, қуаттандыру элементін батарея бөлігінен шығарыңыз.

Қуаттандыру көзі элементінің ағып кетуі құралдың бүлінуіне немесе бұзылу себебі болуы мүмкін. Бұзылуға жол бермеу үшін төменде берілген нұсқауларды орындаңыз:

- «CR2032» типті өлшемді қуаттандыру элементтерін ғана пайдаланыңыз;
- қуаттандыру элементін қайта зарядтауға тыйым салынады;
- қуаттандыру элементтерін қарама-қайшылықты қатаң сақтап орнатыңыз;
- егер құрал ұзақ уақыт бойы пайдаланылмайтын болса, онда қуаттандыру элементін алып тастаңыз;
- қуаттандыру элементін уақытылы ауыстырып отырыңыз.
- қуаттандыру элементтерін оларды ары қарай кәдеге асыру үшін мамандандырылған орындарға тапсырыңыз;
- қуаттандыру қысқыштарының тұйықтауына жол бермеңіз.

Таразыны пайдалану

- Таразыны (7) моторлық блокта (6) орнатып, және кез-келген басқа тегіс бетте пайдалануға болады.
- Таразыны (7) шешу үшін оны сағат тіліне кері бағытта бұрап, шешіңіз және таразыны тегіс құрғақ және тұрақты бетке орнатып, пайдаланыңыз.
- Таразыны (7) пайдаланып болғаннан кейін оларды моторлық блоктағы (6) орнату

орнына (9) орнатуды және таразыны (7) тірелгенге дейін сағат тілі бойынша бұрауды ұмытпаңыз, кері жағдайда асуілік машина қосылмайды.

Өлшеу

- Таразыны қосу үшін қосу/өшіру/жүйелі өлшеу түймесін «/Т» (15) басыңыз және дисплейдегі (14) нөлдік көрсеткіштерді күтіңіз.

Ескертпе: – егер дисплейдегі (14) көрсеткіш нөлге тең болмаса, онда «/Т» (15) түймесін тағы басыңыз, көрсеткіштер нөлденеді.

- Таразының қажетті өлшеу бірліктерін таңдаңыз, «UNIT» (13) түймесін басыңыз. Дисплейде (14) келесі таңбалар көрсетіледі: «Kg» – өнімнің (өнімдердің) килограммен және граммен берілген салмағы; «Lb» – өнімнің (өнімдердің) фунтпен берілген салмағы; «Oz» – өнімнің (өнімдердің) унциямен берілген салмағы; «g» – өнімнің (өнімдердің) граммен берілген салмағы.
- Араластыру үшін барлық ингредиенттерді таразына салыңыз, дисплейде (14) ингредиенттің салмағы өлшеудің таңдалған бірліктеріне байланысты көрсетіледі.

Ескертпе: – өлшеу ыңғайлы болуы үшін таразыны тиісті ыдысқа қойып, қосу/өшіру/жүйелі түрде өлшеу «/Т» түймесін (15) басыңыз, таразының көрсеткіштері нөлденеді және ингредиенттерді өлшеген кезде дисплейде (14) олардың салмағы көрсетіледі.

- Таразыны өшіру үшін ингредиенттерді алып тастап, 3 секунд ішінде «/Т» (15) түймесін басып, ұстап тұрыңыз.

Ескертпе: – егер таразыны 2 минуттан артық пайдаланбайтын болсаңыз, таразы автоматты түрде сөнеді.

Жүйелі түрде өлшеу

Егер жүйелі түрде алдыңғыларын немесе таразыға орнатылған ыдыстарды таразыдан алмай, бірнеше ингредиенттерді өлшегіңіз келсе, онда:

1. Таразыны тегіс, құрғақ және тұрақты бетке орнатыңыз.
2. Таразыны қосу үшін қосу/өшіру/жүйелі өлшеу түймесін «/Т» (15) басыңыз және дисплейдегі (14) нөлдік көрсеткіштерді күтіңіз. Азыққа арналған ыдысты таразыға орнататын кезде «/Т» (15) түймесін басып, ыдыстың салмағын нөлденіз.

Ескертпе: – егер дисплейдегі (14) көрсеткіштер нөлге тең болмаса, онда «/Т»

(15) түймесін тағы басыңыз, көрсеткіштер нөлденеді.

- «UNIT» түймесін (13) басып, қажетті өлшем бірліктерді таңдаңыз, дисплейде (14) келесі таңбалар көрсетіледі:
«Kg» – өнімнің (өнімдердің) килограммен және граммен берілген салмағы;
«Lb» – өнімнің (өнімдердің) фунтпен берілген салмағы;
«Oz» – өнімнің (өнімдердің) унциямен берілген салмағы;
«g» – өнімнің (өнімдердің) граммен берілген салмағы.
- Дисплейдегі (14) санды көрсеткіштерге қарап, бірінші ингредиенттің қажетті көлемін салыңыз.
- «**U/T**» (15) түймесін басыңыз, дисплейдегі (14) таразының көрсеткіштері нөлденеді.

Ескертпе: - ингредиенттерді жүйелі түрде өлшеген кезде дисплейде (14) «-» таралау таңбасы пайда болады.

- Дисплейдегі (14) санды көрсеткіштерге қарап, екінші ингредиенттің қажетті көлемін салыңыз.
- Қалған ингредиенттерді жүйелі түрде өлшеу үшін 4, 5, 6 қадамдарды қайталаңыз.
- Ингредиенттерді салмақтың максималдық шегіне дейін (5 кг) қосуға болады.
- Платформадан ингредиенттерді алып тастаңыз, дисплейде (14) барлық ингредиенттердің ортақ салмағы көрсетіледі.

Ескерту:

- Дисплейде (14) «oL» таңбасының шығуы максималдық рұқсат етілген 5 кг салмақтың асып кеткенін білдіреді. Таразының бұзылуына жол бермеу үшін дереу таразыдан жүкті алып тастаңыз.
- егер таразы дұрыс жұмыс істемесе, қоректендіруді сөндіріп көріңіз. Ол үшін батарея бөлігінің қақпағын (8) ашыңыз және қоректендіру элементін шығарыңыз. Біраз уақыттан кейін қоректендіру элементін орнына орнатыңыз, қақпақты (8) орнына қойып, таразыны қосыңыз.

- Таразыны өшіру үшін ингредиенттерді алып тастап, 3 секунд ішінде «**U/T**» (15) түймесін басып, ұстап тұрыңыз.

МАҢЫЗДЫ

Электр-магниттік сәйкестілік

Электрондық таразы тікелей жақын орналасқан басқа құралдардың (мысалы, мобильдік телефондардың, портативтік радиостанциялардың, радиобасқару пультарының және қысқа толқынды пештердің) электр-магниттік сәулелеріне сезімтал болуы мүмкін. Егер мұндай әсердің белгілері пайда болса (дисплейде қате немесе қарама-қайшы мәліметтер көрсетіледі), таразының орнын ауыстырыңыз, немесе бөгет көздерін біраз уақытқа сөндіріңіз.

АСҮЙЛІК МАШИНА

ҚОНДЫРМАЛАР (11, 12) (кестені қар.)

Қамыр илеуге арналған қондырма (11)

Қондырманы (11) ашытқылы қамыр илеуге, фарш ж.с.с. араластыруға пайдалануға болады. Қамырға әзірленген құрғақ ингредиенттерді «1-2» жылдамдықта араластырыңыз, қамырды араластыру үдерісі кезінде қондырманың (11) айналу жылдамдығын жұмыс тәптіртерін ауыстырғыштың (10) көмегімен ұлғайтуға немесе азайтуға болады.

Көпіршітуге арналған қосарлы бұлғауыш (12)

Бұлғауышты (12) кілегей, жұмыртқа ақуызын көпіршітуге, бисквит, пудинг, коктейльдер, крем, майонез, тұздықтар әзірлеуге, сонымен қатар сұйық өнімдерді араластыруға пайдаланыңыз. Ұсынылатын жұмыс жылдамдығының тәптіртері – 5 бастап 6 дейін.

Ескертпе:

- Жұмыс істеген уақытта моторлық блоктағы (6) желдетіс саңылауларын жаппаңыз, бұл электрмоторның қызып кетуіне әкелуі мүмкін.

Қондырмалар	Сурет	Keңес берілетін жылдамдықтар	Жұмыс істеу уақыты	Рецепт
Қамыр илеуге арналған қондырмалар (11)		1, 2, 4	1 жылдамдықта 10 секунд, 2 жылдамдықта 20 секунд, 4 жылдамдықта 4 минут	700 г ұн және 350 мл су (судың температурасы 40 +/- 5 °C.)
«Қосарлы бұлғауыш» қондырмасы (12)		5-6	10 мин	6 жұмыртқа ақуызы

АСҮЙЛІК МАШИНАНЫ ПАЙДАЛАНУ

- Қондырмаларды орнату алдында жұмыс тәртіптерін ауыстырғыштың (10) «0» күйінде тұрғандығына, ал желілік баудың ауыры электрлік розеткаға салынбағанына көз жеткізіңіз.
- 1. Таразыны (7) орнату орнына (9) орнатыңыз және оны тірелгенге дейін сағат тілі бойынша бұрыңыз (1-сур.).
- 2. Жетектік білікті (4) орнату орнына (5) орнатыңыз, тостағанды (3) орнатыңыз және оны сағат тіліне қарсы бағытта бұрыңыз (2-сур.).
- 3. Қондырмалардың (11 немесе 12) біреуін орнатыңыз (3-сур.).
- 4. Керекті ингредиенттерді тостағанға (3) салыңыз. Тостағанға (3) қақпақты (2) орнатыңыз және оны сағат тіліне қарсы тірелгенге дейін бұраңыз (4-сур.).
- 5. Қақпақты (1) ингредиенттерді қосуға арналған тесікке орнатыңыз және оны сағат тіліне қарсы тірелгенге дейін бұраңыз (5-сур.).
- Желілік баудың ауырын электр розеткасына салыңыз.
- Жұмыс тәртіптерін ауыстырғышты (10) бұру арқылы асүйлік машинаны іске қосыңыз, қондырма айналымының қажетті жылдамдығына орнатыңыз («ҚОНДЫРМАЛАР» тармағын қар.)
- Асүйлік машина жұмыс істеп тұрған кезде, қажетті ингредиенттерді қосуға болады, ол үшін қақпақты (1) сағат тілі бойынша бұрап, шешіңіз, қажетті ингредиенттерді салыңыз, қақпақты (1) орнына қойыңыз және оны тірелгенге дейін сағат тіліне қарсы бұраңыз.
- Асүйлік машинаның қарқынды жұмыс тәртібін таңдауға болады. Ол үшін жұмыс тәртіптерін ауыстырғышты (10) «P» күйіне орнатыңыз және оны біраз уақыт ұстап тұрыңыз.

Ескертпе: – асүйлік машинаны қайта іске қосуды 10-15 минуттан кейін жүзеге асырыңыз.

- Жұмыс істеп болғаннан кейін жұмыс тәртіптерін ауыстырғышты (10) «0» күйіне орнатыңыз және желі бауының ауырын электр розеткасынан суырыңыз.
- Тостағанның (3) қақпағын (2) шешіңіз, ол үшін қақпақты (2) сағат тілі бойынша бұраңыз.
- Орнатылған қондырманы (11 немесе 12) шығарыңыз.
- Тостағанды (3) сағат тіліне қарай бұрап шешіп алыңыз.
- Ингредиенттерді тостағаннан (3) шығарыңыз.
- Жетектік білікті (4) шешіңіз.
- Қондырманы (11 немесе 12), тостағанды (3) және қақпақты (2) бейтарап жуатын құралы қосылған жылы сумен жуыңыз, шайыңыз және құрғатыңыз.

ТАЗАЛАУ ЖӘНЕ КҮТІМ

- Құралды өшіріп, желілік бау ауырын электрлік розеткадан шығарыңыз.
- Қондырманы (11, 12), тостағанды (3), қақпақты (1, 2), жетектік білікті (4) бейтарап жуатын құралы қосылған жылы сумен жуыңыз және артынан құрғатыңыз.
- «Қосарлы бұлғағышты» жуу ыңғайлы болу үшін ашуға кеңес беріледі. Бұлғағыштарды жоғары қаратып шешіңіз, біліктің тегергішін шешіңіз, бөлшектерді бейтарап жуатын құралы қосылған жылы сумен жуыңыз және артынан құрғатыңыз. Бұлғағышты кері жүйеде жинаңыз: – біліктің тегергішін орнатыңыз, бұлғағышты орнатыңыз (6-сур.).
- Моторлық блокты (6) сәл дымқыл матамен сүртіңіз, одан соң құрғатыңыз.
- Таразыны, асүйлік машинаны, желілік бауды және желілік баудың ауырын суға немесе басқа да бір сұйықтыққа салуға тыйым салынады.
- Мотор блогының (6) ішіне су мен тазалайтын құралдардың тиісіне жол бермеңіз.
- Таразыны жұмсақ, сәл дымқыл матамен сүртіңіз, одан кейін құрғатып сүртіңіз. Таразыны суға немесе басқа да кез-келген сұйықтыққа салуға тыйым салынады.
- Ластануды тазалау үшін бейтарап тазалайтын және жуатын құралдарды пайдаланыңыз, метал қылшақтарды, абразивтік тазалағыш құралдарды және еріткіштерді пайдаланбаңыз.

САҚТАЛУЫ

- Құралды тазалаңыз.
- Құрал ұзақ уақыт пайдаланылмайтын болса, қуаттандыру элементін алып қойыңыз.
- Құралды құрғақ, салқын және балалар мен мүмкіндіктері шектеулі адамдардың қолы жетпейтін жерде сақтаңыз.

ЖЕТКІЗІЛІМ ЖИНАҒЫ

Электрондық таразысы бар асүйлік машина – 1 дана.
Тостаған қақпағы – 1 дн.
Тостаған – 1 дн.
Қондырмалар – 2 дн.
CR2032 қоректендіру элементтері – 1 дн.
Нұсқаулық – 1 дн.

ТЕХНИКАЛЫҚ СИПАТТАМАЛАРЫ

Электрлік қуаттандыруы: 220-240 В ~ 50 Гц
Номиналдық тұтынатын қуаты: 1200 Вт
Максималды қуаты: 1400 Вт

Таразы

Электр қуаттандыруы: 3 В, «CR2032» элементі (жеткізу жинағына кіреді)

Өлшеудің максималдық шегі: 5 кг

Шкала бөлігінің бағасы: 1 г*

* *Тұрмыстық асүйлік таразылар үшін қателік мәні айтылмайды, сондықтан ол техникалық сипаттамаларында көрсетілмейді.*

«Қателік» термині өндірістік, аналитикалық және медициналық таразылар үшін пайдаланылады. Осы таразылардың өлшеу дәлдігін растайтын метрологиялық сертификаттары бар. Сонымен қоса, осы таразылардың дәлдігін растау үшін арнайы бекітілген ұйымдар жыл сайынғы «таразылардың өлшеу дәлдігін растауды» (сәйкестік тексеріс) жүргізеді.

ҚАЙТА ӨНДЕУ



Қоршаған ортаны қорғау мақсатында, аспаптың және қуаттандыру элементтерінің (егер жинақтың құрамына кірсе) қызмет ету мерзімі аяқталғаннан кейін, оларды күнделікті тұрмыстық қалдықтармен бірге тастауға болмайды, аспап пен қуаттандыру элементтерін ары қарай кәдеге асыру үшін мамандандырылған орындарға өткізу керек.

Бұйымдарды қайта өңдеу кезінде пайда болатын қалдықтар белгіленген тәртіп бойынша келесі қайта өңделетін міндетті жинауға жатады.

Берілген өнімді қайта өңдеу туралы қосымша ақпаратты алу үшін жергілікті муниципалитетке, тұрмыстық қалдықтарды қайта өңдеу қызметіне немесе берілген өнімді Сіз сатып алған дүкенге хабарласыңыз.

Дайындаушы аспапты жақсарту мақсатында, алдын-ала хабарламай, аспаптың дизайнын, конструкциясы және оның жұмыс қағидатына әсер етпейтін техникалық сипаттарын өзгерту құқығын өзіне қалдырады, соған байланысты нұсқаулық пен бұйымның арасында кейбір айырмашылықтар болуы мүмкін. Егер пайдаланушы осындай сәйкессіздіктерді анықтаса, нұсқаулықтың жаңартылған нұсқасын алу үшін сәйкессіздік туралы info@vitek.ru электрондық поштасына хабарлауыңызды сұраймыз.

Құралдың қызмет ету мерзімі – 3 жыл

Гарантиялық міндеттілігі

Гарантиялық жағдайдағы қаралып жатқан бөлшектер дилерден тек сатып алынған адамға ғана беріледі. Осы гарантиялық міндеттілігіндегі шағымдалған жағдайда төлеген чек немесе квитанциясын көрсетуі қажет.

ЕАЭС

УКРАЇНЬСКА

КУХОННА МАШИНА VT-1442

Кухонна машина призначена для змішування інгредієнтів, приготування соусів, десертів (збитих вершків, пудингів, коктейлів, майонезу), а також для замішування тіста. Електронні ваги, що входять до комплекту кухонної машини, допоможуть відміряти точну кількість необхідних інгредієнтів, що входять до рецепту для приготування продуктів.

ОПИС

1. Кришка отвору для додавання інгредієнтів
2. Кришка чаші
3. Чаша
4. Повідний вал
5. Місце установлення повідного валу
6. Моторний блок
7. Електронні ваги
8. Кришка батарейного відсіку
9. Місце установлення ваг
10. Перемикач режимів роботи «P-0-1-2-3-4-5-6»
11. Насадка для замішування тіста
12. Насадка «подвійні віночки»
13. Кнопка вибору одиниць зважування «UNIT»
14. Дисплей
15. Кнопка увімкнення/вимкнення/послідовного зважування «**U/T**»

ЗАХОДИ БЕЗПЕКИ

Перед початком експлуатації кухонної машини уважно прочитайте це керівництво та збережіть його для використання як довідковий матеріал. Використовуйте пристрій тільки за його прямим призначенням, як викладено у цьому керівництві. Неправильне поводження з пристроєм може призвести до його поломки, завдання шкоди користувачеві або його майну.

- Перед вмиканням кухонної машини переконайтеся, що напруга в електричній мережі відповідає робочій напрузі пристрою.
- Забороняється підмикати кухонну машину до зовнішніх таймерів або до електричних розеток з дистанційним керуванням.
- Перед використанням кухонної машини уважно огляньте насадки та стан мережного шнура та переконайтеся, що насадки та мережний шнур не мають пошкоджень. Якщо ви виявили пошкодження, не користуйтеся пристроєм.
- Не допускайте контакту мережного шнура з гарячими поверхнями та гострими край-

ками меблів. Уникайте пошкодження ізоляції мережного шнура.

- Не використовуйте пристрій у безпосередній близькості від джерел тепла або відкритого полум'я.
- Використовуйте лише насадки, що входять до комплекту постачання.
- Забороняється використовувати кухонну машину для змішування твердих інгредієнтів, таких як, наприклад, тверде вершкове масло або заморожене тісто.
- Перед установленням насадок переконайтеся, що вилка мережного шнура не вставлена в розетку.
- Перед використанням кухонної машини переконайтеся, що насадка встановлена правильно.
- Перш ніж підімкнути кухонну машину до електричної мережі, переконайтеся, що перемикач режимів роботи встановлений у положенні «**0**» (вимкнено).
- Забороняється використовувати пристрій поза приміщеннями.
- Максимальна тривалість безперервної роботи з подвійними віночками – до 10 хвилин. Повторне вмикання кухонної машини робить не раніше, ніж через 10-15 хвилин.
- Після експлуатації кухонної машини вимкніть її, установивши перемикач режимів роботи у положення «**0**», вийміть вилку мережного шнура з розетки.
- Не занурюйте кухонну машину, мережний шнур або вилку мережного шнура у воду або будь-які інші рідини.
- Якщо пристрій впав у воду, витягніть вилку мережного шнура з розетки, тільки потім дістаньте пристрій з води.
- Не торкайтеся корпусу моторного блоку, мережного шнура та вилки мережного шнура мокрими руками.
- Під час роботи не закривайте вентиляційні отвори на корпусі моторного блоку, це може призвести до перегрівання електромотора.
- Не залишайте кухонну машину, увімкнуту у мережу, без нагляду.
- Вимикайте пристрій з мережі перед чистенням, зміною насадок, а також якщо ви ним не користуєтеся.
- Вимикаючи пристрій з електромережі, ніколи не смикайте за мережний шнур, візьміться за вилку мережного шнура та акуратно витягніть її з розетки.

- Регулярно робіть чищення кухонної машини.
- Не торкайтеся обертової насадки під час роботи кухонної машини.
- Не допускайте потрапляння волосся або країв одягу у зону обертання насадки.
- Не дозволяйте дітям торкатися корпусу моторного блоку, мережного шнура та вилки мережного шнура під час роботи пристрою.
- Здійснюйте нагляд за дітьми, щоб не допустити використання пристрою як іграшки.
- Цей пристрій не призначений для використання дітьми.
- Установлюйте пристрій під час роботи та у перервах між робочими циклами у недоступному для дітей місці.
- Пристрій не призначений для використання особами (включаючи дітей) зі зниженими фізичними, психічними або розумовими здібностями або при відсутності у них досвіду або знань, якщо вони не знаходяться під контролем або не проінструктовані щодо використання пристрою особою, відповідальною за їх безпеку.
- З міркувань безпеки дітей не залишайте поліетиленові пакети, що використовуються як упаковка, без нагляду.

Увага! Не дозволяйте дітям грати з поліетиленовими пакетами або пакувальною плівкою.

Небезпека задусання!

- Наглядайте за правильною установкою електронних ваг, в іншому випадку кухонна машина не увімкнеться.
- Поводьтеся з вагами акуратно, як з будь-яким вимірювальним приладом, не піддавайте ваги дії високих або низьких температур, підвищеній вологості, не піддавайте їх дії прямих сонячних променів та не опускайте їх.
- Не допускайте потрапляння рідини всередину корпусу ваг, цей пристрій не є водонепроникним. Забороняється залишати або використовувати ваги у місцях з підвищеною вологістю (більше 80%), не допускайте контакту корпусу ваг з водою або з іншими рідинами, щоб уникнути порушення правильності показань ваг або виходу їх з ладу.
- Забороняється виходити на платформу для зважування продукти, вага яких перевищує максимально допустиму межу зважування 5 кг.

Увага! Пристрій містить літєвий елемент живлення. Не допускайте потрапляння літєвого елемента живлення у стравохід дитини. **Якщо**

дитина проковтнула елемент живлення, негайно зверніться до лікаря.

- Періодично перевіряйте шнур живлення та вилку шнура живлення на предмет пошкодження ізоляції.
- Забороняється використовувати пристрій, якщо є пошкодження мережної вилки або шнура живлення. При пошкодженні шнура живлення його заміну, щоб уникнути небезпеки, мають робити виробник, сервісна служба або подібний кваліфікований персонал.
- Забороняється самостійно ремонтувати пристрій. Не розбирайте пристрій самостійно, при виникненні будь-яких несправностей, а також після падіння пристрою вимкніть пристрій з розетки та зверніться до будь-якого авторизованого (уповноваженого) сервісного центру за контактними адресами, вказаними у гарантійному талоні та на сайті www.vitek.ru.
- Щоб уникнути пошкоджень, перевозьте пристрій тільки в заводській упаковці.
- Зберігайте пристрій у місцях, недоступних для дітей та людей з обмеженими можливостями.

ПРИСТРІЙ ПРИЗНАЧЕНИЙ ТІЛЬКИ ДЛЯ ПОВУТОВОГО ВИКОРИСТАННЯ У ЖИТЛОВИХ ПРИМІЩЕННЯХ, ЗАБОРОНЯЄТЬСЯ КОМЕРЦІЙНЕ ВИКОРИСТАННЯ ТА ВИКОРИСТАННЯ ПРИСТРОЮ У ВИРОБНИЧИХ ЗОНАХ ТА РОБОЧИХ ПРИМІЩЕННЯХ.

ПЕРЕД ПЕРШИМ ВИКОРИСТАННЯМ

Після транспортування або зберігання пристрою у холодних (зимових) умовах необхідно витримати його при кімнатній температурі не менше трьох годин.

- Вийміть пристрій з упаковки, видаліть будь-які рекламні наклейки, що заважають його роботі.
- Перевірте цілісність пристрою, за наявності пошкоджень не користуйтеся пристроєм.
- Переконайтеся у тому, що робоча напруга пристрою відповідає напрузі електромережі.
- Насадки (11, 12), кришки (1, 2), чашу (3) вимийте теплою водою з додаванням нейтрального мийного засобу, ополосніть та просушіть.
- Моторний блок (6) протріть м'якою, злегка вологою тканиною, після чого витріть насухо.

УКРАЇНЬСКА

ЕЛЕКТРОННІ ВАГИ

Увага! Пристрій містить літєвий елемент живлення. Не допускайте потрапляння літєвого елемента живлення у стравохід дитини. **Якщо дитина проковтнула елемент живлення, негайно зверніться до лікаря.**

Установлення елемента живлення

- Зніміть кришку батарейного відсіку (8) та установіть елемент живлення «CR2032» (входить до комплекту постачання), строго дотримуючись полярності.
- Установіть кришку батарейного відсіку (8) на місце.

Примітка: - якщо є ізолювальна прокладка у батарейному відсіку, відкрийте кришку батарейного відсіку (8), витягніть прокладку та установіть кришку батарейного відсіку (8) на місце.

Заміна елемента живлення

- При низькому заряді елемента живлення на дисплеї (14) відобразиться символ «».
- Відкрийте кришку батарейного відсіку (8), витягніть елемент живлення, установіть новий елемент живлення «CR2032», строго дотримуючись полярності, потім закрийте кришку батарейного відсіку (8).
- Якщо ваги не використовуються тривалий час, вийміть елемент живлення з батарейного відсіку.

Протікання елементів живлення може стати причиною травм або пошкодження пристрою. Щоб уникнути пошкодження, дотримуйтеся приведених нижче інструкцій:

- використовуйте тільки елемент живлення типорозміру «CR2032»;
- забороняється перезаряджати елемент живлення;
- встановлюйте елемент живлення, строго дотримуючись полярності;
- виймайте елемент живлення, якщо пристрій не використовувався протягом тривалого часу;
- своєчасно міняйте елемент живлення.
- здавайте елемент живлення у спеціалізований пункт для подальшої утилізації;
- не допускайте замикання затискачів живлення.

Використання ваг

- Ви можете використовувати ваги (7), встановлені на моторному блоці (6), так і на будь-якій рівній поверхні.

- Для того щоб зняти ваги (7), поверніть їх проти годинникової стрілки і зніміть, установіть та використовуйте ваги на рівній сухій та стійкій поверхні.
- Після використання ваг (7) не забудьте установити їх на моторний блок (6) у місце установлення (9) та повернути ваги (7) за годинниковою стрілкою до упору, в іншому випадку кухонна машина не увімкнеться.

Зважування

- Для увімкнення ваг натисніть кнопку (15) увімкнення/вимкнення/послідовного зважування «/T» та дочекайтеся нульових показань на дисплеї (14).

Примітка: – Якщо показання на дисплеї (14) не дорівнюють нулю, натисніть ще раз кнопку (15) «/T», показання обнуляться.

- Виберіть необхідні одиниці вимірювання ваги натисненням кнопки (13) «UNIT». На дисплеї (14) відобразяться наступні символи:
«Kg» – вага продукту (продуктів) у кілограмах та грамах;
«Lb» – вага продукту (продуктів) у фунтах;
«Oz» – вага продукту (продуктів) в унціях;
«g» – вага продукту (продуктів) у грамах.
- Помістіть інгредієнти для зважування на ваги, на дисплеї (14) відобразиться вага інгредієнта(ів) залежно від вибраних одиниць вимірювання.

Примітка: - для зручності при зважуванні Ви можете поставити на ваги відповідну посудину та натиснути кнопку (15) увімкнення/вимкнення/послідовного зважування «/T», показання ваг обнуляться, і при зважуванні інгредієнтів на дисплеї (14) буде показана їх вага.

- Для вимкнення ваг заберіть інгредієнти, натисніть та утримуйте кнопку (15) «/T» протягом 3 секунд.

Примітка: – ваги автоматично вимикаються, якщо Ви ними не користуєтесь більше 2 хвилини.

Послідовне зважування

Якщо Ви хочете послідовно зважити декілька інгредієнтів, не забираючи попередні з ваг або з встановленої на ваги посудини:

1. Установіть ваги на рівну, суху та стійку поверхню.
2. Для увімкнення ваг торкніться кнопки увімкнення/вимкнення/послідовного зважування «/T» та дочекайтеся нульових показань на дисплеї (14). При установленні на ваги по-

судини для продуктів, обнулите вагу посудини, натиснувши на кнопку (15) «**⏻/T**».

Примітка: - якщо показання на дисплеї (14) не дорівнюють нулю, натисніть кнопку (15) «**⏻/T**», показання обнуляться.

3. Виберіть необхідні одиниці вимірювання ваги натисненням на кнопку (13) «UNIT», на дисплеї (14) відобразяться наступні символи: «Kg» – вага продукту (продуктів) у кілограмах та грамах; «Lb» – вага продукту (продуктів) у фунтах; «Oz» – вага продукту (продуктів) в унціях; «g» – вага продукту (продуктів) у грамах.
4. Помістіть на ваги необхідну кількість першого інгредієнта, звіряючись з числовими показаннями на дисплеї (14).
5. Натисніть кнопку (15) «**⏻/T**», показання ваги на дисплеї (14) обнуляться.

Примітка: - при послідовному зважуванні інгредієнтів на дисплеї (14) з'являється символ тарування «-».

6. Помістіть на платформу необхідну кількість другого інгредієнта, звіряючись з числовими показаннями на дисплеї (14).
7. Повторюйте кроки 4, 5, 6 для послідовного зважування інших інгредієнтів.
8. Додання інгредієнтів можливо до максимально граничної ваги (5 кг).
9. Зніміть з платформи інгредієнти, на дисплеї (14) відобразиться загальна вага всіх інгредієнтів.

Примітки:

- з'явлення на дисплеї (14) символів «oL» вказує на перевищення максимально допустимої ваги 5 кг. Терміново заберіть вантаж з ваг, щоб запобігти їх пошкодженню.
- якщо ваги працюють неправильно, спробуйте вимкнути живлення. Для цього відкрийте кришку батарейного відсіку (8) та витягніть елемент живлення. Через деякий час уста-

новить елемент живлення на місце, установіть кришку (8) та увімкніть ваги.

- Для вимкнення ваг заберіть інгредієнти та натисніть і утримуйте кнопку (15) «**⏻/T**» протягом 3 секунд.

ВАЖЛИВО

Електромагнітна сумісність

Електронні ваги можуть бути чутливі до електромагнітного випромінювання інших пристроїв, розташованих у безпосередній близькості (такі як мобільні телефони, портативні радіостанції, пульти радіоуправління та мікрохвильові печі). У тому випадку, якщо з'явилися ознаки такої дії (на дисплеї відображуються помилкові або суперечливі дані), перемістіть ваги або вимкніть на деякий час джерело перешкод.

КУХОННА МАШИНА

НАСАДКИ (11, 12) (див. таблицю)

Насадка для замішування тіста (11)

Насадку (11) використовуйте для замішування дріжджового тіста, перемішування фаршу і т.ін. Сухі інгредієнти, призначені для тіста, змішуйте на швидкості «1-2», у ході замішування тіста за допомогою перемикача режимів роботи (10) збільшуйте або зменшуйте швидкість обертання насадки (11).

Подвійний віночок для збивання (12)

Використовуйте віночок (12) для збивання вершків, яєчного білка, приготування пудингів, коктейлів, крему, майонезу, соусів, а також для змішування рідких продуктів. Рекомендовані швидкісні режими роботи - від 5 до 6.

Примітка:

- Під час роботи не закривайте вентиляційні отвори на моторному блоці (6), це може призвести до перегрівання електромотора.

Насадки	Малюнок	Рекомендовані швидкості	Час роботи	Рецепт
Насадка для замішування тіста (11)		1, 2, 4	10 секунд на швидкості 1, 20 секунд на швидкості 2, 4 хвилини на швидкості 4	700 г борошна і 350 мл води (температура води 40 +/- 5 °C.)
Насадка «подвійний віночок» (12)		5-6	10 хвилин.	6 яєчних білків

ВИКОРИСТАННЯ КУХОННОЇ МАШИНИ

- Перед установленням насадок переконайтеся у тому, що перемикач режимів роботи (11) знаходиться у положенні «0», а вилка мережного шнура не вставлена в електричну розетку.
 - 1. Установіть ваги (7) на місце їх установлення (9) та поверніть за годинниковою стрілкою до упору (мал. 1).
 - 2. Установіть повідний вал (4) у місце установлення (5), установіть чашу (3) та поверніть її проти годинникової стрілки (мал. 2).
 - 3. Установіть одну з насадок (11 або 12) (мал. 3).
 - 4. Помістіть необхідні інгредієнти у чашу (3). Установіть на чашу 3 кришку (2) та поверніть її проти годинникової стрілки до упору (мал. 4).
 - 5. Установіть кришку (1) в отвір для додавання інгредієнтів та поверніть її проти годинникової стрілки до упору (мал. 5).
 - Вставте вилку мережного шнура в електричну розетку.
 - Увімкніть кухонну машину повертанням перемикача режимів роботи (10) та установіть необхідну швидкість обертання насадок (див. пункт «НАСАДКИ»).
 - Під час роботи кухонної машини Ви можете додати необхідні інгредієнти, для цього поверніть кришку (1) за годинниковою стрілкою та зніміть її, додайте необхідні інгредієнти, установіть кришку (1) на місце та поверніть її проти годинникової стрілки до упору.
 - Ви можете використовувати імпульсний режим роботи кухонної машини. Для цього встановіть ручку перемикача режимів роботи (10) у положення «P» та утримуйте її протягом деякого часу.
- Примітка:** – *повторне вмикання кухонної машини робить не раніше, ніж через 10-15 хвилин.*
- Завершивши роботу, установіть перемикач режимів роботи (10) у положення «0» та витягніть вилку мережного шнура з електричної розетки.
 - Зніміть кришку (2) чаші (3), для цього поверніть кришку (2) за годинниковою стрілкою.
 - Вийміть встановлену насадку (11 або 12).
 - Зніміть чашу (3), повернувши її за годинниковою стрілкою.
 - Витягніть інгредієнти з чаші (3).
 - Зніміть повідний вал (4).

- Промийте насадку (11 або 12), чашу (3) та кришку (2) у теплій воді з використанням нейтрального мийного засобу, промийте та просушіть.

ЧИЩЕННЯ ТА ДОГЛЯД

- Вимкніть пристрій та витягніть вилку мережного шнура з електричної розетки.
- Вийміть насадки (11, 12), чашу (3), кришки (1, 2), повідний вал (4) теплою водою з нейтральним мийним засобом, потім просушіть їх.
- Насадку «подвійний віночок» рекомендується розібрати для зручності промивання. Зніміть віночки у напрямку вгору, зніміть шестірню повідні, промийте деталі теплою водою з нейтральним мийним засобом, потім просушіть їх. Зберіть віночок у зворотній послідовності: – установіть шестірню повідні, установіть віночки (мал. 6).
- Протріть моторний блок (6) м'якою, злегка вологою тканиною, після чого витріть насухо.
- Ніколи не занурюйте ваги, кухонну машину, мережний шнур та вилку мережного шнура у воду або в будь-які інші рідини.
- Не допускайте потрапляння води та очищувальних речовин всередину моторного блоку (6).
- Ваги протріть м'якою, злегка вологою тканиною, після чого витріть насухо. Забороняється занурювати ваги у воду та будь-які інші рідини.
- Для усунення забруднень використовуйте нейтральні очищувальні та мийні засоби, не використовуйте металеві щітки, абразивні засоби та розчинники.

ЗБЕРІГАННЯ

- Зробіть чищення пристрою.
- Виймайте з ваг елемент живлення, якщо ваги не використовуватиметься протягом тривалого часу.
- Зберігайте пристрій у сухому прохолодному місці, недоступному для дітей та людей з обмеженими можливостями.

КОМПЛЕКТ ПОСТАЧАННЯ

Кухонна машина з електронними вагами – 1 шт.
Кришка чаші – 1 шт.
Чаша – 1 шт.
Насадки – 2 шт.
Елемент живлення CR2032 – 1 шт.
Інструкція – 1 шт.

ТЕХНІЧНІ ХАРАКТЕРИСТИКИ

Електроживлення: 220-240 В ~ 50 Гц
 Номінальна споживана потужність: 1200 Вт
 Максимальна потужність: 1400 Вт

Ваги

Електроживлення: 3 В, елемент «CR2032»
 (входить до комплекту постачання)
 Максимальна межа зважування: 5 кг
 Ціна поділки шкали: 1 г*

* Для побутових кухонних ваг величина похибки не обмовляється, тому у технічних характеристиках вона не вказується.
 Термін «похибка» використовують для промислових, аналітичних та медичних ваг. Ці ваги мають метрологічні сертифікати, що підтверджують точність вимірювань. Більш того, для підтвердження точності цих ваг спеціально затверджені організації виконують щорічне «підтвердження точності вимірювань ваг» (перевіряння).

УТИЛІЗАЦІЯ



Для захисту навколишнього середовища після закінчення терміну служби пристрою та елементів живлення (якщо входять до комплекту) не викидайте їх разом зі звичайними побутовими відходами, передайте пристрій та елементи живлення у спеціалізовані пункти для подальшої утилізації.

Відходи, що утворюються при утилізації виробів, підлягають обов'язковому збору з подальшою утилізацією установленим порядком.

Для отримання додаткової інформації про утилізацію даного продукту зверніться до місцевого муніципалітету, служби утилізації побутових відходів або до крамниці, де Ви придбали цей продукт.

Виробник зберігає за собою право змінювати дизайн, конструкцію та технічні характеристики, які не впливають на загальні принципи роботи пристрою, без попереднього повідомлення, через що між інструкцією та виробом можуть спостерігатися незначні відмінності. Якщо користувач виявив такі невідповідності, просимо повідомити про це по електронній пошті info@vitek.ru для отримання оновленої версії інструкції.

Термін служби пристрою – 3 роки

Гарантія

Докладні умови гарантії можна отримати в дилера, що продав дану апаратуру. При пред'явленні будь-якої претензії протягом терміну дії даної гарантії варто пред'явити чек або квитанцію про покупку.

CE Даний продукт відповідає вимогам Директиви 2014/30/ЄС щодо електромагнітної сумісності та Директиви 2014/35/ЄС щодо низьковольтного обладнання.

АШКАНА АСПАБЫ VT-1442

Ашкана аспап ингредиенттерди кошуу, соус менен десерттерди (чалынган сүт, пудинг, коктейль, майонез катары) жана камырды жууруу үчүн арналган. Ашкана аспаптын топтомуна кирген электрондук тараза тамак бышыруу үчүн рецептиде жазылган керектүү ингредиенттердин так көлөмүн тартууга жардам берет.

СЫПАТТАМА

1. Ингредиенттерди кошуу үчүн тешиктин капкагы
2. Табактын капкагы
3. Табак
4. Кыймылдаткыч вал
5. Кыймылдаткыч огун орнотуу жайы
6. Мотор сапсалгысы
7. Электрондук тараза
8. Батарея бөлүктүн капкагы
9. Таразаны орнотуу жайы
10. Иштөө режимдерин которгучу «P-0-1-2-3-4-5-6»
11. Камыр жууруу үчүн саптама
12. «Кош венчик» саптамасы
13. «UNIT» өлчөм бирдигин тандоо баскычы
14. Дисплей
15. Иштетүү/өчүрүү/ырааттуу тартуу «**⏻/T**» баскычы

КООПСУЗДУК ЧАРАЛАРЫ

Ашкана аспабын пайдалануудан мурун ушул колдонмону көңүл коюп окуп чыгып, аны маалымат катары сактап алыңыз.

Түзмөктү тике дайындоо боюнча гана, ушул колдонмодо жазылганга ылайыктуу колдонуңуз. Шайманды туура эмес пайдалануу анын бузулуусуна, колдонуучуга же колдонуучунун мүлкүнө зыян келтирүүгө алып келиши мүмкүн.

- Ашкана аспапты иштетүүдөн мурун, анын иштөөчү чыңалуусу электр тармагынын чыңалуусуна дал келерин текшерип алыңыз.
- Ашкана аспабын тышкы таймер же аралыктан башкаруусу бар электр розеткаларга кошууга тыюу салынат.
- Ашкана аспабын колдонуунун алдында саптамалары менен тармактык шнурунун абалын жакшылап карап, саптамалар менен тармактык шнурунун бузулуулары жок болгонун текшерип алыңыз. Бузулууларды тапсаңыз, шайманды колдонбоңуз.
- Электр шнурун ысык беттерге же эмеректин учтуу кырларына тийгизбеңиз. Электр шнурдун изоляциясын бузулууларына жол бербейиз.

- Шайманды жылуулук же ачык от булактардын тикеден-тике жакынчылыкта колдонбоңуз.
- Топтомго кирген саптамаларды гана пайдаланыңыз.
- Ашкана аспапты катуу каймак майы же тоңдурулган камыр катары катуу азыктарды аралаштыруу үчүн колдонууга тыюу салынат.
- Саптамаларын орнотуунун алдында тармактык шнурдун айрысы розеткага сайылбаганын текшериниз.
- Ашкана аспабын колдонуунун алдында саптамасы туура орнотулуп бекитилгенин текшерип алыңыз.
- Ашкана аспабын электр тармагына кошуунун алдында иштөө режимдердин которгучу «0» (өчүрүлгөн) абалында болгонун текшерип алыңыз.
- Түзмөктү имараттардын сыртында колдонууга тыюу салынат.
- Кош венчиктер менен токтоосуз иштетүү мөөнөтү 10 мүнөткө чейин. Ашкана аспабын 10–15 мүнөттөн кем эмес мөөнөттөн кийин кайрадан иштетиниз.
- Ашкана аспабын колдонуудан кийин иштөө режимдердин которгучун «0» абалына коюп, шайманды өчүрүңүз, кубаттуучу сайгычын электр розеткадан чыгарыңыз.
- Ашкана аспапты, тармактык шнурун жана тармактык шнурдун айрысын сууга же башка суюктуктарга салбаңыз.
- Түзмөк сууга түшкөн болсо, тармактык айрысын розеткадан суруп, андан кийин гана түзмөктү суудан чыгарсаңыз болот.
- Мотор сапсалгысынын корпусун, электр шнурун жана айрысын суу колуңуз менен тийбениз.
- Аспап иштеп турган убагында анын корпусундагы аба тешиктерин жаппаңыз, бул мотордун өтө ысып кетишине алып келүү мүмкүн.
- Электр тармагына кошулган ашкана аспапты кароосуз калтырбаңыз.
- Түзмөктү тазалоонун, саптамаларын алмаштыруунун алдында же аны колдонбой турганда электр тармагынан өчүрүп туруңуз.
- Түзмөктү электр тармагынан сурганда аны шнурду кармап эч качан тартпаңыз, сайгычын кармап абайлап розеткадан чыгарыңыз.
- Ашкана аспабын мезгилдүү түрдө тазалап туруңуз.

- Ашкана аспап иштеп жаткан учурунда айлануучу саптамасына тийбеңиз.
- Чачыңыз же кийимдин чекелери саптамалардын айлануу зонасына түшкөнүнөн этият болуңуз.
- Түзмөк иштеп турган убагында балдарга мотор сапсалгысынын корпусун, тармактык шнуруна же тармактык шнурдун айрысына тийүүгө уруксат бербейсиз.
- Түзмөктү оюнчук катары колдонбоо үчүн балдарга көз салыңыз.
- Бул түзмөк балдар колдонгону үчүн арналган эмес.
- Шайман иштеп турганда жана иштөө циклдердин арасындагы тыныгууларда аны балдар жетпеген жерге коюңуз.
- Бул шайман дене күчү, сезими же акыл-эси жагынан жөндөмдүүлүгү төмөн (ошонун ичинде балдар да) адамдар же колдонуу боюнча тажрыйбасы же билими жок болгон адамдар, эгерде алардын коопсуздугуна жооптуу адам аларды көзөмөлдөп же инструкциялаган болбосо колдонуу үчүн ылайыкташтырылбаган.
- Балдардын коопсуздугу үчүн таңгак катары колдонулган полиэтилен баштыктарды кароосуз таштабаңыз.

Көңүл буруңуз! Полиэтилен баштыктар же таңгак пленкасы менен ойногонго балдарга уруксат бербейсиз. Бул тумчугуунун коркунучун жаратат!

- Электрондук тараза туура орнотулганын текшерип туруңуз, антпесе ашкана аспап иштебейт.
- Электрондук таразаны ар кайсы өлчөө алет катары тыкандык менен колдонунуз, өйдө же төмөн жылуулуктун, өйдө нымдуулуктун, тике күн нурлардын таасирине жол бербей, таразаны кулатып түшүрбөңүз.
- Суюктуктардын таразанын ичине куюлганына жол бербейсиз, бул аспап суу өткөзбөс эмес. Тараза салмакты туура эмес көрсөтүп же бузулуп калганына жол келтирбөө үчүн аны нымдуулугу өйдө (80% өйдө) болгон жерлерде калтырбаңыз, корпусун суу же башка суюктуктарга тийгенине жол бербейсиз.
- Салмагы таразалоонун жогорку 5 кг чегинен ашкан азыктарды таразалоо үчүн платформага салууга тыюу салынат.

Көңүл буруңуз! Шайманда литий азыктандыруу элементи бар. Литий азыктандыруу элементи баланын кызыл өңгөчүнө

түшүүдөн абайлаңыз. Бала азыктандыруу элементи жуткан болсо, дароо даарыгерге кайрылыңыз.

- Электр шнурунун, сайгычтын изоляциясынын бузулуулары жок болгондугун мезгилдүү текшерип туруңуз.
- Электр шнурунун же тармактык айрысынын бузулуулары бар болсо, түзмөктү колдонбоңуз. Электр шнуру бузук болгондо коопчулуктарга жол бербегени үчүн аны өнүктүрүүчү, тейлөө кызмат же аларга окшогон дасыккан кызматкерлер алмаштырууга тийиш.
- Шайманды өз алдынча оңдогонго тыюу салынат. Шайманды өз алдынча ажыратпай, ар кыл бузулуулар пайда болгон же шайман кулап түшкөн учурларда аны розеткадан суруп, кепилдик талонундагы же www.vitek.ru сайтындагы тизмесине кирген автордоштурулган (ыйгарым укуктуу) тейлөө борборуна кайрылыңыз.
- Бузулуулар пайда болгонго жол бербөө үчүн шайманды заводдук таңгакта гана транспорттоо зарыл.
- Шайманды балдар жана жөндөмдүүлүгү төмөн болгон адамдар жетпеген жеринде сактаңыз.

АСПАП ТУРАК ЖАЙЛАРДА ТУРМУШ-ТИРИЧИЛИК КОЛДОНУУГА ГАНА АРНАЛГАН, КОММЕРЦИЯЛЫК КОЛДОНУУГА, ӨНӨР ЖАЙ ЗОНАЛАРЫНДА ЖЕ ЖУМУШ ИМАРАТТАРДА КОЛДОНУУГА ТЫЮУ САЛЫНАТ.

БИРИНЧИ ИШТЕТҮҮНҮН АЛДЫНДА

Шайманды суук (кыш) шарттарда сактоодон же транспорттоодон кийин аны үй температурасында үч сааттан кем эмес сактоо зарыл.

- Шайманды таңгактан чыгарып, анын иштөөсүнө тоскоолдук кылган ар кандай чаптамаларды сыйрып алыңыз.
- Шаймандын бүтүн болгондугун текшерип, бузулуулар бар болсо шайманды колдонбоңуз.
- Шаймандын иштөө чыңалуусу электр тармагындагы чыңалуусуна ылайык болгонун текшериниз.
- Саптамалар (11, 12), капкак (1, 2) менен табагын (3) нейтралдуу жуучу каражат кошулган жылуу сууга жууп, чайкап, кургатып алыңыз.
- Мотор сапсалгысын (6) бир аз нымдуу жумушак чүпүрөк менен сүртүп, андан кийин кургатып сүртүңүз.

ЭЛЕКТРОНДУК ТАРАЗА

Көңүл буруңуз! Шайманда литий азыктандыруу элементи бар. Литий азыктандыруу элементи баланын кызыл өңгөчүнө түшүүдөн абайлаңыз. **Бала азыктандыруу элементин жуткан болсо, дароо даарыгерге кайрылыңыз.**

Кубатоочу элементти орнотуу.

- Батарея бөлүгүнүн капкагын (8) ачып, «CR2032» батареясын (топтомуна кирет) полярдүүлүгүн сактап орнотуңуз.
- Батарея бөлүгүнүн капкагын (8) ордуна коюңуз.

Эскертүү: - Батарея бөлүгүндө изоляциялоо катмары бар болсо, батарея бөлүгүнүн капкагын (8) ачып, катмарды чыгарыңыз да батарея бөлүгүнүн капкагын (8) ордуна коюңуз.

Азыктандыруу элементин алмаштыруу

- Азыктандыруу элементинин кубаты аз болсо, дисплейде (14) «» белгиси пайда болот.
- Батарея бөлүгүнүн капкагын (8) ачыңыз, азыктандыруу элементин чыгарып, жаңы «CR2032» азыктандыруу элементин полярдүүлүгүн сактап туура орнотуңуз, андан кийин батарея бөлүгүнүн капкагын (8) жабыңыз.
- Таразаны көпкө чейин колдонбой турган болсоңуз, азыктандыруу элементин батарея бөлүгүнөн чыгарып коюңуз.

Азыктандыруу элементи агып кетүүсү жаракат алуунун же түзмөк бузулуунун себеби болуу мүмкүн. Бузулууга жол бербөө гүчүн төмөнкүдө жазылган колдонмону аткарыңыз:

- «CR2032» түрүндөгү кубаттандыруу элементтерин гана колдонуңуз;
- кубаттандыруу элементтерин кайрадан кубаттандырууга тыюу салынат;
- кубаттандыруу элементтерди полярдүүлүгү боюнча туура коюңуз;
- шайман көпкө чейин иштетилбей турган учурларда азыктандыруу элементтерин чыгарып алыңыз;
- азыктандыруу элементтерди убактылуу түрдө алмаштырып туруңуз.
- азыктандыруу элементтерин адистештирилген пункттарга кайрадан иштетүүгө тапшырыңыз;

- азыктандыруунун кыпчуурларынын чукул туташуусуна жол бербейсиз.

Таразаны колдонуу эрежелери

- Таразаны (7) мотор сапсалгысына (6) же ар кыл тегиз бетте орнотуп колдонсоңуз болот.
- Таразаны (7) чечүү үчүн аны саат жебесинин багытына каршы бурап чечиңиз, таразаны тегиз кургак туруктуу беттин үстүнө орнотуп колдонуңуз.
- Таразаны (7) колдонуудан кийин аны мотор сапсалгысынын (6) үстүндөгү орнотуу жайына (9) коюп, таразаны (7) саат жебесинин багыты боюнча токтогонунан чейин бураңыз, антпесе ашкана аспабы иштебейт.

Таразалоо

- Таразаны иштетүү үчүн иштетүү/өчүрүү/ырааттуу тартуу «/Т» баскычын (15) басып, дисплейде (14) нөлдүк салмагынын белгиси пайда болгонун күтүңүз.

Эскертүү: - Дисплейдеги (14) көрсөткүчтөр нөл эмес болсо, (15) «/Т» баскычын кайрадан басыңыз, көрсөткүчтөн нөлдөнөт.

- «UNIT» баскычын (13) басып, керектүү өлчөм биримдигин таңдаңыз. Дисплейде (14) төмөнкүдөй белгилер пайда болот:
«Kg» – азыктын (азыктардын) килограмм жана грамм менен ченелген салмагы;
«Lb» – азыктын (азыктардын) фунт менен ченелген салмагы;
«Oz» – азыктын (азыктардын) унция менен ченелген салмагы;
«g» – азыктын (азыктардын) грамм менен ченелген салмагы.
- Таразала турган ингредиенттерди таразага салыңыз, дисплейде (14) ингредиенттин(тердин) салмагы таңдалган өлчөм биримдигине карата көрсөтүлөт.

Эскертүү: - ыңгайлуулук үчүн сиз таразага ылайыктуу тдишти коюп, (15) иштетүү/өчүрүү/ырааттуу тартуу «/Т» баскычын бассаңыз болот, таразанын көрсөткүчтөрү нөлдөнүп, ингредиенттерди тартууда дисплейде (14) алардын салмагы көрсөтүлөт.

- Таразаны өчүрүү үчүн ингредиенттерди алып салып, (15) «/Т» баскычын 3 секунданын ичинде басып туруңуз.

Эскертүү: - Таразаны 2 мүнөттөн ашык колдонбой турсаңыз, ал автоматтык түрдө өчөт.

Ырааттуу тартуу

Бир нече ингредиенттерди алгачкы ингредиенттерди таразадан албай ырааттуу тартуу же идишти таразадан албай тартуу зарыл болсо:

1. Таразаны тегиз, кургак, туруктуу беттин үстүнө орнотуңуз.
2. Таразаны иштетүү үчүн иштетүү/өчүрүү/ырааттуу тартуу «**U/T**» баскычын (15) тийип, дисплейде (14) нөлдүк салмагынын белгиси пайда болгонун күтүңүз. Таразага азыктар үчүн идишти койгондо (15) «**U/T**» баскычын басып идиштин салмагын нөлдөтүп коюңуз.

Эскертүү:- Дисплейдеги (14) көрсөткүчтөр нөл эмес болсо, (15) «**U/T**» баскычын кайрадан басыңыз, көрсөткүчтөр нөлдөнөт.

3. «UNIT» баскычын (13) басып, керектүү өлчөм бирдиктерин таңдаңыз, дисплейде (14) төмөнкүдөй белгилер пайда болот:
«Kg» – азыктын (азыктардын) килограмм жана грамм менен ченелген салмагы;
«Lb» – азыктын (азыктардын) фунт менен ченелген салмагы;
«Oz» – азыктын (азыктардын) унция менен ченелген салмагы;
«g» – азыктын (азыктардын) грамм менен ченелген салмагы.
4. Дисплейдеги (14) цифралык түрүндөгү көрсөтүүнү карап биринчи ингредиенттин керектүү өлчөмүн таразага салыңыз.
5. (15) «**U/T**» баскычын басыңыз, салмактын көрсөткүчтөрү дисплейде (14) нөлдөнүп калат.

Эскертүү:- Ингредиенттерди ырааттуу тартканда дисплейде (14) качалоонун «-» белгиси пайда болот.

6. Таразанын үстүнө дисплейдеги (14) цифралык түрүндөгү көрсөтүүнү карап экинчи ингредиенттин керектүү өлчөмүн салыңыз.
7. Калган ингредиенттерди таразалоо үчүн 4, 5, 6 кадамдарын кайталаңыз.
8. Ингредиенттерди максималдуу салмагына (5 кг) жеткенге чейин кошуп салсаңыз болот.
9. Ингредиенттерди таразданалыңыз, дисплейде (14) бардыгы ингредиенттердин жалпы салмагы көрсөтүлөт.

Эскертүү:

- Дисплейде (14) «oL» белгилери пайда болгону 5 кг максималдуу салмагын ашырууну белгилейт. Тараза бузулбоо

үчүн салмакты тез түрдө таразадан алыңыз.

- тараза туура эмес иштеп турса, азыктандыруусун өчүрүп көрүңүз. Ал үчүн батарея бөлүктүн капкагын (8) ачып, азыктандыруу элементтерин чыгарыңыз. Бир аз убакыттан кийин азыктандыруу элементтерин ордуна коюп, капкакты (8) орнотуп, таразаны иштетиңиз.
- Таразаны өчүрүү үчүн ингредиенттерди алып салып, (15) «**U/T**» баскычын 3 секунданын ичинде басып туруңуз.

МААНИЛҮҮ

Электромагниттик шайкештиги

Электрондук тараза тике жакынчылыгында турган башка аспаптардын (уюлдук телефон, портативдүү радиостанциялар, радиобашкаруу пульттар, микротолкундуу меш ж.б. катары) электромагниттүү нурдануусуна сезгич болгону мүмкүн. Мындай таасирдин белгилери пайда болгондо (дисплейде ката же бири бирине каршы болгон көрсөткүчтөр болот), таразаны башка жака алып же тоскоол кылган аспапты убактылуу өчүрүп алыңыз.

АШКАНА АСПАП

САПТАМАЛАР (11, 12)

(таблицаны караңыз)

Камыр жууруу үчүн саптама (11)

Саптаманы (11) ачыткы камырды жууруу, фаршты аралаштыруу ж. у.с. иштер үчүн колдонунуз. Камырга арналган кургак ингредиенттерди «1-2» ылдамдыгында аралаштырып, камырды жууруу процессинде иштөө режимдердин которгучу (10) аркылуу саптаманын (11) айлануу ылдамдыгын жогорулатыңыз же төмөндөтүңүз.

Чалуу үчүн кош венчик (12)

Венчикти (12) каймакты, жумуртка агын чалуу, пудинг, коктейль, крем, майонез, соустарды жасоо жана суюк азыктарды аралаштыруу үчүн колдонунуз. Кеңештелген иштөө режимдери 5-ден 6-га чейин.

Эскертүү:

- Шайман иштеп турган учурда мотор сапсалгысынын (6) корпусундагы аба тешиктерин жаппаңыз, бул электрмоторунун өтө ысыганына алып келүү мүмкүн.

КЫРГЫЗ

Саптамалар	Сүрөт	Рекомендация- ланган ылдам- дыктар	Иштөө мөөнөтү	Рецепт
Камыр жууруу үчүн саптама (11)		1, 2, 4	1 ылдамдыгында 10 секунд, 2 ылдамдыгында 20 секунд, 4 ылдамдыгында 4 мүнөт	700 г ун менен 350 мл суу (суунун температурасы 40 +/- 5 °C.)
«Кош венчик» саптамасы (12)		5-6	10 мин	6 жумуртканын агы

АШКАНА АСПАПТЫ КОЛДОНУУ

- Саптамаларды орнотуунун алдында иштөө режимдердин которгучу (10) «0» абалында болуп, кубаттуучу сайгычы электр розеткасына сайылбаганын текшерип алыңыз.
- 1. Таразаны (7) орнотуу жайына (9) коюп, сааттын жебеси боюнча бурап катуу бекитиңиз (сүр. 1).
- 2. Кыймылдаткыч огун (4) орнотуу жайына (5) орнотуп, табакты (3) орнотуп, аны саат жебесинин багытына каршы бураңыз (сүр. 2).
- 3. Саптамалардын бирин (11 же 12) орнотуңуз (сүр. 3).
- 4. Керектүү ингредиенттерди идишке (3) салыңыз. Капкакты (2) табактын 3 үстүнө орнотуп, аны саат жебесинин багытына каршы токтогонуна чейин бураңыз (сүр. 4).
- 5. Капкакты (1) ингредиенттерди салуу тешиктин ичине орнотуп, саат жебесинин багытына каршы токтогонуна чейин бураңыз (сүр. 5).
- Тармактык шнурдун айрысын электр розеткасына сайыңыз.
- Иштөө режимдердин которгучун (10) бурап ашкана аспабын иштетиңиз да саптамалардын керектүү ылдамдыгын таңдаңыз («САПТАМАЛАР» пунктун караңыз).
- Ашкана аспабы иштеп турган учурда сиз керектүү ингредиенттерди кошсоңуз болот, ал үчүн капкакты (1) саат жебесинин багыты боюнча бурап чечип алыңыз, керектүү ингредиенттерди кошуп, капкакты (1) ордуна орнотуп, саат жебесинин багытына каршы токтогонуна чейин бураңыз.
- Ашкана аспаптын импульстук иштөө режимин колдонсоңуз болот. Ал үчүн иштөө режимдердин которгучун (10) «P» абалына коюп, аны бир нече убакыттын ичинде кармап туруңуз.

Эскертүү: - ашкана аспабын 10–15 мүнөттөн кем эмес мөөнөттөн кийин кайрадан иштетиңиз.

- Шайманды колдонгондон кийин иштөө режимдердин которгучун (10) «0» абалына коюп аспапты өчүрүңүз да сайгычты электр розеткасынан суруңуз.
- Табактын (3) капкагын (2) чечиңиз, ал үчүн капкакты (2) саат жебесинин багыты боюнча бураңыз.
- Орнотулган саптаманы (11 же 12) чыгарыңыз.
- Табакты (3) саат жебесинин багытына каршы бурап чечиңиз.
- Ингредиенттерди табактан (3) чыгарыңыз.
- Кыймылдагыч огун (4) чечиңиз.
- Саптама (11 же 12), капкак (2) менен табагын (3) нейтралдуу жуучу каражат менен жылуу сууга жууп, чайкап, кургатып алыңыз.

ТАЗАЛОО ЖАНА КАРОО

- Шайманды өчүрүп, кубаттуучу сайгычын розеткасынан чыгарыңыз.
- Саптамаларды (11, 12), табакты (3), капкактарды (1, 2), кыймылдагыч огун (4) нейтралдуу жуучу каражат менен жылуу сууга жууп, кургатып алыңыз.
- Ыңгайлуу жууганы үчүн кош венчик саптамасын ажыратуусун сунуштайбыз. Венчиктерди өйдө тартып чечип, кыймылдагыч тиштүү дөңгөлөгүн чечип, бөлүктөрдү нейтралдуу жуучу каражат менен жылуу сууга жууп, кургатып алыңыз. Венчикти тескери ырааты боюнча кураштырыңыз: - кыймылдагыч тиштүү дөңгөлөгүн орнотуп, венчиктерди орнотуңуз (сүр. 6).
- Мотор сапалгысын (6) бир аз нымдуу жумушак чүпүрөк менен сүртүп, андан кийин кургатып сүртүңүз.

- Ашкана аспапты, электр шнурун жана кубаттуучу сайгычын сууга же башка суюктуктарга салууга тыюу салынат.
- Суу менен жуучу каражаттар мотор сапсалгысынын (6) ичине куюлганына жол бербениз.
- Таразаны бир аз нымдуу жумушак чүпүрөк менен сүртүп, андан кийин кургатып сүртүңүз. Түзмөктү сууга же башка суюктуктарга салууга тыюу салынат.
- Кирди кетириүү үчүн нейтралдуу тазалоо каражаттарды колдонуп, металлдан жасалган щеткаларды жана абразивдүү каражаттарды же эриткичтерди колдонбоңуз.

САКТОО

- Аспапты тазалап коюңуз.
- Таразаны көпкө чейин иштетилбей турган учурларда азыктандыруу элементтерин чыгарып алыңыз;
- Шайманды балдар жана жөндөмдүүлүгү төмөн болгон адамдар колу жетпеген жерлерде сактаңыз.

ЖАБДЫКТЫН ЖЫЙЫНТЫГЫ

Ашкана аспап электрондук таразасы менен – 1 даана.

Табактын капкагы – 1 даана.

Табак – 1 даана.

Насадкалары – 2 даана.

Азыктандыруучу элемент «CR2032» – 1 даана.

Колдонмо – 1 даана.

ТЕХНИКАЛЫК МҮНӨЗДӨМӨСҮ

Кубаттандыруу чыңалуусу: 220–240 В ~ 50 Гц

Номиналдуу иштетүү кубаттуулугу: 1200 Вт

Максималдуу кубаттуулугу: 1400 Вт

Тараза

Электр азыгы: 3 В, элемент «CR2032»

(топтомун кирет)

Таразалоонун максималдуу чеги: 5 кг

Шкаланын бөлүнүшү: 1 г*

* *Турмуш-тиричилик ашкана таразанын каталыгы белгиленбейт, ошол себептен техникалык мүнөздөмөсүндө көрсөтүлбөйт. «Каталык» термини өнөр жай, аналитикалык жана медициналык таразаларга байланыштуу колдонулат. Мындай таразалардын так өлчөй тургандыгын тастыктаган метрологиялык*

документтери болот. Андан тышкары, атайын ырастанган уюмдар бул таразанын тууралыгын аныктоо үчүн «таразанын туура өлчөмдөгөндүн далилдөөсүн» (текшерүүсүн) жыл сайын өткөзүшөт.

УТИЛИЗАЦИЯЛОО



Айлана чөйрөөнү коргоо максатында шайман менен азыктандыруучу элементтердин (эгерде топтомго кирсе) кызмат мөөнөтү бүткөндөн кийин турмуш-тиричилик калдыктары менен бирге таштабаңыз, шайман менен азыктандыруучу элементти андан ары утилизациялоо үчүн адистештирилген пункттарга бериңиз.

Шаймандарды утилизациялоодон пайда болгон калдыктарды милдеттүү түрдө чогултуп, андан соң белгиленген жолунда утилизациялоо зарыл. Бул шайманды утилизациялоо жөнүндө кошумча маалымат алуу үчүн жергиликтүү өкмөткө, турмуш-тиричилик калдыктарды утилизациялоо кызматына же бул шайманды алган дүкөнгө кайрылыңыз.

Өндүрүүчү шаймандардын жалпы иштөө принциптерине таасир этпеген дизайн, конструкциясын жана техникалык мүнөздөмөлөрүн алдын ала эскертпей өзгөртүү укугун сактайт, ошол себептен шайман менен колдонмонун арзыбаган айырмалар болуу мүмкүн. Колдонуучу ушундай келишпегендиктерди тапса, ал жөнүндө info@vitek.ru электрондук почтасына жазып, шаймандын жаңырланган версиясын алса болот.

Шаймандын кызмат мөөнөтү – 3 жыл

Көпилдик

Көпилдик берүү шарттары тууралуу толук маалыматтар буюмду саткан сатуучудан алууга болот. Көпилдик шарттарына ылайык талап кылып сатылган товарга чек же дүмүрчөктү көрсөтүү керек.



GB

A production date of the item is indicated in the serial number on the technical data plate. A serial number is an eleven-unit number, with the first four figures indicating the production date. For example, serial number 0606xxxxxxx means that the item was manufactured in June (the sixth month) 2006.

RUS

Дата производства изделия указана в серийном номере на табличке с техническими данными. Серийный номер представляет собой одиннадцатизначное число, первые четыре цифры которого обозначают дату производства. Например, серийный номер 0606xxxxxxx означает, что изделие было произведено в июне (шестой месяц) 2006 года.

KZ

Бұйымның шығарылған мерзімі техникалық деректері бар кестедегі сериялық нөмірде көрсетілген. Сериялық нөмір он бір саннан тұрады, оның бірінші төрт саны шығару мерзімін білдіреді. Мысалы, сериялық нөмір 0606xxxxxxx болса, бұл бұйым 2006 жылдың маусым айында (алтыншы ай) жасалғанын білдіреді.

UA

Дата виробництва виробу вказана в серійному номері на табличці з технічними даними. Серійний номер представляє собою одинадцятизначне число, перші чотири цифри якого означають дату виробництва. Наприклад, серійний номер 0606xxxxxxx означає, що виріб був виготовлений в червні (шостий місяць) 2006 року.

KG

Буюм иштеп чыгарылган датасы сериялык номурунда техникалык маалыматтар жадыбалында көрсөтүлгөн. Сериялык номуру он бир орундуу сан болот, анын биринчи төрт саны өндүрүш датасын көрсөтөт. Мисалы, сериялык номуру 0606xxxxxxx болгон буюм 2006 жылдын июнинде (алтынчы айында) өндүрүлгөн.



ЗАПРЕЩЕНО УТИЛИЗИРОВАТЬ
С БЫТОВЫМ МУСОРОМ.
ОБРАТИТЕСЬ НА СООТВЕТСТВУЮЩИЙ
ПУНКТ ПЕРЕРАБОТКИ ЭЛЕКТРИЧЕСКОГО
И ЭЛЕКТРОННОГО ОБОРУДОВАНИЯ.