



EN ■ Food Chopper

READ CAREFULLY AND STORE FOR FUTURE USE.

- This appliance may be used by persons with physical or mental impairments or by inexperienced persons, if they are properly supervised or have been informed about how to use the product in a safe manner and understand the potential dangers.
- Children must not use this appliance or play with it. Keep this appliance and the power cord out of reach of children.
- Before connecting this appliance to a power socket, make sure the rated voltage stated on its rating label corresponds to the voltage in your power socket.
- This appliance is designed for household use and is used for chopping foods such as meat, fruits, vegetables, hard or semi-hard cheese, herbs, nuts with shells removed, etc., and for whipping egg whites, cream, homemade mayonnaise, etc. Do not use it to process foods that are too hard such as coffee beans, cocoa beans, ice cubes, nutmeg, etc.
- Do not use the appliance in an industrial environment, outdoors or for purposes other than those for which it is intended.



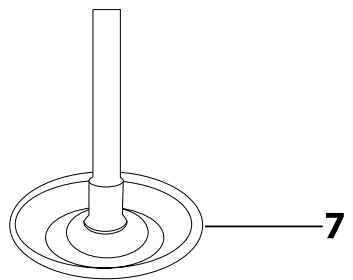
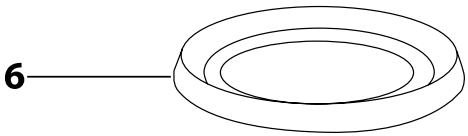
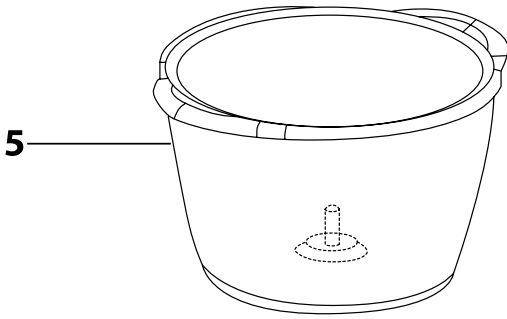
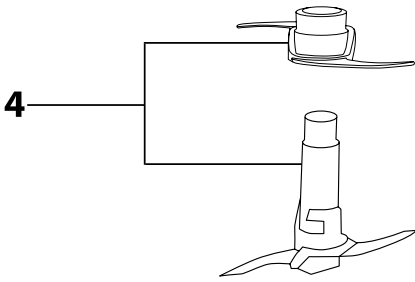
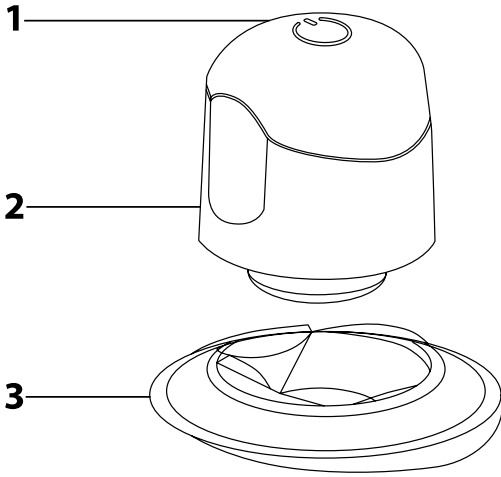
Attention:

Incorrect use may lead to injuries.

- Do not place the appliance on an electric or gas stove or in its vicinity, on the edge of a table or on an unstable surface. Only place the appliance on an even, dry and stable surface.
- Only use the appliance with the original accessories that came with it.
- Make sure that the appliance is correctly assembled before putting it into operation.
- When handling hot foods, pay extra attention. Hot steam or splashing hot foods may cause scalding. Do not fill the bowl with ingredients hotter than 80 °C. For reasons of safety, it is recommended to allow hot ingredients to cool down before processing them.
- Do not use the whipping disc to process warm or hot food.
- The operating time of the appliance is 20 seconds. Before turning it on again, allow it to cool down for at least 2 minutes.
- When handling the blade assembly, especially when assembling or disassembling it, when taking it out of the bowl, when emptying the bowl and when cleaning it, take special care to avoid injury on blade's cutting edges.
- Do not turn on the appliance when it is empty. Incorrect use of the appliance may negatively affect its lifetime.

- Always turn off the appliance and disconnect it from the power socket if you will not be using it and if you will be leaving it without supervision, before assembly, disassembly, replacing accessories or accessible parts that move during operation, and before cleaning or moving it.
- Check that the motor unit is turned off, disconnected from the power socket and that the rotating parts have come to a complete stop before removing the motor unit off the bowl.
- Do not submerge the motor unit or its power cord in water or any other liquid, or wash these parts under running water.
- Ensure that the power plug contacts do not come into contact with moisture. Do not place heavy items on the power cord. Make sure that the power cord does not hang over the edge of a table or that it is not touching a hot surface.
- Do not disconnect the appliance from the power socket by pulling on the power cord. This could damage the power cord or the socket. Disconnect the power cord from the power socket by pulling on the plug.
- If the power cord is damaged, it must be replaced by an authorised service centre or by another similarly qualified person, this will prevent the creation of a dangerous situation. It is forbidden to use the appliance if it has a damaged power cord.
- Do not use the appliance when it is not functioning properly or showing signs of damage.
- In order to prevent a hazardous situation arising, do not repair the appliance yourself or modify it in any way. Have all repairs performed at an authorised service centre. By tampering with the appliance, you risk voiding your legal rights arising from unsatisfactory performance or quality warranty.

A



- Prior to using this appliance, please read the user's manual thoroughly, even in cases, when one has already familiarised themselves with previous use of similar types of appliances. Only use the appliance in the manner described in this user's manual. Keep this user's manual in a safe place where it can be easily retrieved for future use.
- We recommend saving the original cardboard box, packaging material, purchase receipt and responsibility statement of the vendor or warranty card for at least the duration of the legal liability for unsatisfactory performance or quality. In the event of transportation, we recommend that you pack the appliance in the original box from the manufacturer.

DESCRIPTION OF THE APPLIANCE

- | | |
|---|--|
| A1 Pulse button
it is used to turn the motor unit on and off. | A5 1.5-litre glass bowl |
| A2 Motor unit | A6 Anti-slip ring |
| A3 Lid | A7 Whipping disc
It is used for making homemade mayonnaise, whipping egg whites, cream, etc. |
| A4 Blade assembly with four titanium coated chopping blades | |

BEFORE FIRST USE

- Take the appliance and its accessories out of the packaging materials.
- Wash the lid **A3**, blade assembly **A4**, whipping disc **A7**, bowl **A5** and anti-slip ring **A6** in warm water with neutral kitchen detergent. Then rinse with clean water and allow it to dry naturally or dry it out using a wiping cloth.



Note:

The parts listed above, excluding the blade assembly **A4**, are suitable for washing in a dishwasher.



Attention:

When cleaning the blade assembly **A4**, be very careful not to injure yourself on its sharp edges.

- Never wash the motor unit **A2** under running water or submerge it in water.

ASSEMBLING AND DISASSEMBLING THE APPLIANCE

- Before you start assembling or disassembling the appliance, check that the motor unit **A2** is turned off and disconnected from the power socket and that the rotating parts have come to a complete stop.
- Place the anti-slip ring **A6** on to a dry, even and stable surface and put the bowl **A5** into it.
- Now assemble the blade assembly **A4**. It consists of two parts, the top and bottom chopping blades. Hold the top chopping blades by the middle part and seat them on to the bottom blades from above, and then turn them in one direction or the other so that both parts fit into each other. For a firm connection of both parts, hold the bottom chopping blades with one hand and use the other hand to hold the top chopping blades and turn them anticlockwise until they lock into place.



Attention:

When handling the chopping blades, be very careful not to injure yourself on their sharp cutting edges. Only touch the plastic central part of the chopping blades.

- Put the assembled blade assembly **A4** on to the central pin at the bottom of the bowl **A5**. If you wish to use the whipping disc **A7**, put it on the central pin at the bottom of the bowl **A5** instead of the blade assembly **A4**.
- Cover the bowl **A5** with the lid **A3**. The shape of the lid enables it to be seated in only one direction. Push the lid **A3** down so that it adheres to the edge of the bowl **A5** along its entire perimeter.
- Put the motor unit **A2** on to the lid **A3** so that it fits in properly. Now the appliance is assembled.
- To disassemble proceed in the reverse sequence.

OPERATING THE APPLIANCE

- Assemble the appliance according to the instructions in the chapter Assembling and disassembling the appliance. Put the ingredients into it after seating the blade assembly **A4** or the whipping disc **A7** on the central pin at the bottom of the bowl **A5**. Do not fill the bowl **A5** above the maximum mark (1.5l).



Attention:

Certain foods, e.g. egg whites, cream, etc. increase in volume when whipped. Do not fill the bowl **A5** with more ingredients than indicated in the Quick guide to processing ingredients.

- Connect the power cord to a power socket and press the pulse button **A1** to start the appliance. Hold down button **A1** for a few moments and then release it. When the button **A1** is released, the appliance will turn off. If the food inside is not sufficiently chopped up, run the chopper again for a short time. Short pulse switching will limit excessive pulverisation of the food. Hold the bowl **A5** with one hand during operation. When using the whipping disc **A7**, you may hold down button **A1** for longer to ensure that ingredients are whipped to the desired consistency.



Attention:

The maximum continuous operating time of the appliance is 20 seconds. Then allow it to cool down for 2 minutes.

- If food sticks to the inside of the bowl **A5**, turn off the appliance and disconnect it from the power socket. Make sure that the blade assembly **A4** has stopped rotating. Remove the motor unit **A2** and the lid **A3**. Clean the inside of the bowl **A5** using a spatula. Assemble the appliance, plug the power cord into a power socket and continue processing food.
- After you finish using it, disconnect the power cord from the power socket. Make sure that the rotating parts have stopped rotating. Remove the motor unit **A2** and the lid **A3**. First, carefully take the blade assembly **A4** or the whipping disc **A7** out of the bowl **A5** and only then empty out its contents.
- Then clean all used parts according to the instructions in chapter Cleaning and maintenance.

QUICK GUIDE TO PROCESSING INGREDIENTS

CHOPPING BLADES

- First, cut up the food into smaller cubes of approximately 2 × 2 cm and only then process with the chopper. With vegetables like onion, it is sufficient to cut them into quarters.

Ingredients	Maximum load	Total processing time
Meat	450 g	20 s
Fruit and vegetables	300 g	15 s
Hard and semi-hard cheeses	200 g	10 s
Nuts with shells removed	150 g	15 s
Herbs	75 g	10 s

WHIPPING DISC

Ingredients	Maximum load	Total processing time
Mayonnaise (egg yolks, oil, lemon juice, salt and mustard)	500 g	20 s
Egg whites	4 pcs	2 × 20 s
Whipping cream	500 g	3 × 20 s



Note:

The above food processing times are only a reference. The actual processing time depends on the size of the ingredients, their amount and the required final consistency.

CLEANING AND MAINTENANCE

- Before cleaning it, make sure that the appliance is turned off, disconnected from the power socket and that the rotating parts have stopped.
- Disassemble the appliance into its individual parts. Thoroughly wash the lid **A3**, bowl **A5**, blade assembly **A4** or the whipping disc **A7** in warm water with neutral dishwashing detergent. Then rinse with clean water and allow it to dry naturally or dry it out using a wiping cloth. If the anti-slip ring **A6** becomes soiled, wash it in the same way.



Note:

The parts listed above, excluding the blade assembly **A4**, are suitable for washing in a dishwasher.



Note:

After whipping egg whites, first rinse the whipping disc **A7** in cold water. If warm water is used, the egg whites could harden and their removal would be more difficult.



Attention:

When cleaning the blade assembly **A4**, be very careful not to injure yourself on its sharp edges.

- To clean the outer surface of the motor unit **A2**, use a cloth lightly dipped in a weak detergent solution. After applying the detergent solution, wipe the surface with a cloth lightly dampened in clean water and then wipe dry.
- Never submerge the motor unit **A2** or its power cord in water or in any other liquid.
- Do not use solvents, abrasive cleaning products, etc. for cleaning the appliance. Otherwise the surface coat of the appliance may be damaged.

STORAGE

- When not using the appliance, store it in a dry place out of children's reach.

TECHNICAL SPECIFICATIONS

Rated voltage range	220–240 V
Rated frequency	50/60 Hz
Rated power input	500 W
Electrical shock protection class	II
Noise level	79 dB(A)

The declared noise emission level of the appliance is 79 dB(A), which represents a level A of acoustic power with respect to a reference acoustic power of 1 pW.

Explanation of technical terminology


Safety class for electrical shock protection:
Class II – Electrical shock protection is provided by double or heavy-duty insulation.

Amendments to text and technical parameters are reserved.

INSTRUCTIONS AND INFORMATION REGARDING THE DISPOSAL OF USED PACKAGING MATERIALS

Dispose of used packaging material at a site designated for waste in your municipality.

DISPOSAL OF USED ELECTRICAL AND ELECTRONIC EQUIPMENT

 This symbol on products or original documents means that used electric or electronic products must not be added to ordinary municipal waste. For proper disposal, renewal and recycling hand over these appliances to determined collection points. Alternatively, in some European Union states or other European countries you may return your appliances to the local retailer when buying an equivalent new appliance.

Correct disposal of this product helps save valuable natural resources and prevents potential negative effects on the environment and human health, which could result from improper waste disposal. Ask your local authorities or collection facility for more details.

In accordance with national regulations penalties may be imposed for the incorrect disposal of this type of waste.

For business entities in European Union states

If you want to dispose of electric or electronic appliances, ask your retailer or supplier for the necessary information.

Disposal in other countries outside the European Union

This symbol is valid in the European Union. If you wish to dispose of this product, request the necessary information about the correct disposal method from the local council or from your retailer.



This product meets all the basic requirements of EU directives related to it.