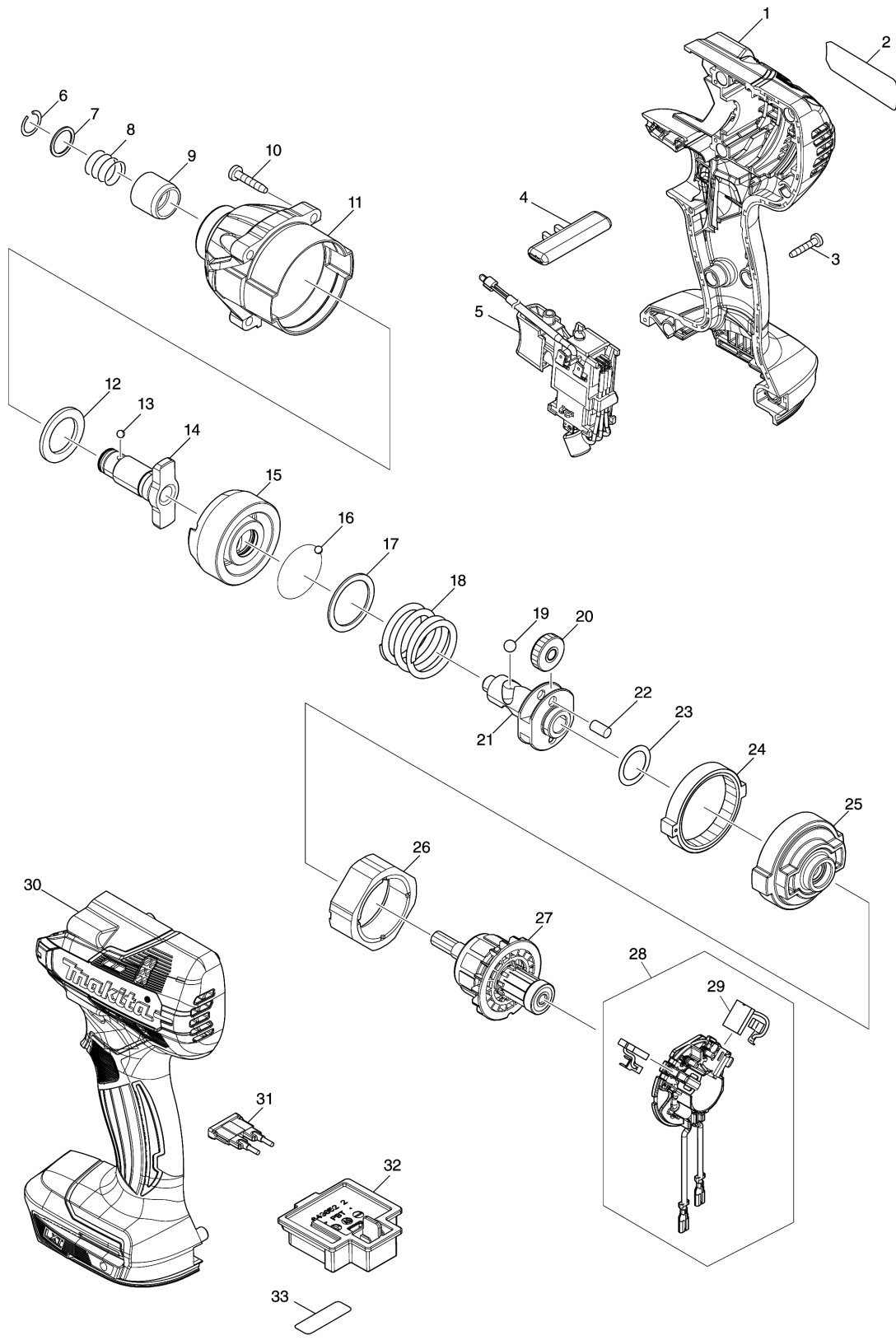


Model No.DTD156 CORDLESS IMPACT DRIVER



Model No.DTD156 CORDLESS IMPACT DRIVER

Item	Parts No.	Description	I/C	Qty	New/Old	Opt. 1	Opt. 2	Note
001	183N31-9	HOUSING SET		1				
C10	252126-6	HEX. LOCK NUT M4-7		2				
C20	263005-3	RUBBER PIN 6		2				
D10		INC. 30						
002	856K77-7	DTD156 NAME PLATE		1				
003	266429-2	TAPPING SCREW 3X16		8				
004	452399-3	F/R CHANGE LEVER		1				
005	632P54-1	SWITCH UNIT		1				
C10	654207-6	RECEPTACLE		1				
C20	688164-6	LINE FILTER		1				
006	231951-8	RING SPRING 11		1				
007	267085-1	FLAT WASHER 12		1				
008	233005-7	COMPRESSION SPRING 13		1				
009	324420-7	SLEEVE		1				
010	266374-1	TAPPING SCREW 4X25		4				
011	140N57-4	HAMMER CASE COMPLETE		1				
012	261151-6	NYLON WASHER 19		1				
013	216040-0	STEEL BALL 3.5		2				
014	326188-1	ANVIL M		1				
015	326644-1	HAMMER		1				
016	216040-0	STEEL BALL 3.5		24				
017	267175-0	FLAT WASHER 24		1				
018	233430-2	COMPRESSION SPRING 24		1				
019	216041-8	STEEL BALL 5.6		2				
020	227362-3	SPUR GEAR 22		2				
021	326562-3	SPINDLE		1				
022	256253-1	PIN 5		2				
023	253314-8	THIN WASHER 15		1				
024	227279-0	INTERNAL GEAR 51		1				
025	144952-6	INTERNAL GEAR CASE		1				
026	638396-5	YOKE UNIT		1				
027	619553-4	ARMATURE		1				
028	632P59-1	BRUSH HOLDER COMPLETE		1				
C10	231696-8	TORSION SPRING R		1				
C20	231697-6	TORSION SPRING L		1				
D10		INC. 29						
029	198887-3	CARBON BRUSH CB-5		1				
030	183N31-9	HOUSING SET		1				
C10	252126-6	HEX. LOCK NUT M4-7		2				
C20	263005-3	RUBBER PIN 6		2				
D10		INC. 1						
031	632P58-3	FUSE UNIT		1				

Model No.DTD156 CORDLESS IMPACT DRIVER

Item	Parts No.	Description	I/C	Qty	New/Old	Opt. 1	Opt. 2	Note
032	643852-2	TERMINAL		1				
033	856K82-4	DTD156 SERIAL NO. LABEL		1				
A01	346317-0	HOOK		1				
A02	266622-8	+ TRUSS HEAD SCREW M4X12		1				

Please order the parts with part number.

Print Date 27/3/2020