



Prolaser 3D All-Lines GREEN

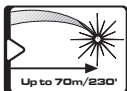
Model No. 883HG/883BG

User Manual

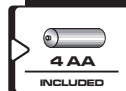
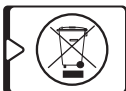
Manual del usuario

Manuel d'utilisation

Руководство по эксплуатации



Up to 70m/230'





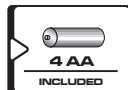
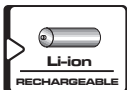
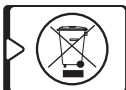
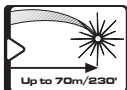
EN

Thank you for purchasing Kapro's 883HG/BG Prolaser® 3D All-Lines GREEN. You now own one of the most advanced laser tools available. This manual will show you how to get the most out of your laser tool.

APPLICATIONS

The 883HG/BG Prolaser® 3D All-Lines GREEN is a laser level with 3 green diodes, that emits 3 circular lines. The laser is innovatively designed for a very broad range of professional and DIY jobs, including:

- Hanging cabinets and shelves.
- Setting floor and wall tiles
- Drywall installation and hanging acoustic ceilings
- Framing and aligning windows and doors
- Leveling electrical outlets, plumbing and studs
- Accurately laying out right angles for flooring, fences, gates, decks, pergolas and gazebos.
- Leveling slopes for stairs, rails, roofs and more. (manual mode)



NOTE

Keep this user manual for future reference.

CONTENTS

• Features	4
• Safety instructions	5-6
• Battery installation & Safety	7-8
• Overview	9
• Operating instructions	10-12
• Maintenance	13
• Field calibration test	14-23
• Specifications	24
• Warranty	25



FEATURES

- This laser tool automatically determines the horizontal and vertical plans.
- This laser emits 1 horizontal 360° and 2 orthogonal 360° vertical green beams, that intersect on 4 walls, floor and ceiling.
- Self-leveling in automatic mode when the laser is positioned within its self-leveling range which is $\pm 2.5^\circ$
- Visual warning when the laser level is out of leveling range.
- Pulse mode emits pulses that can be detected by a detector.
- Max. indoor working range - 30 m (100') with green goggles.
- The max. detectable range of the laser in pulse mode is 70m (230').
- Manual mode allows angular layout/markings.
- IP65 Rated for water and dust protection.
- Locking mechanism to protect the pendulum during transportation.
- 1/4" and 5/8" tripod threads.
- Shock resistant rubber over molded casing.
- Battery compartment for optional use with 4 AA Alkaline batteries.
- Charger.

NOTE

This device contains precision components sensitive to external shock, impact or falls that may compromise its functionality. Handle with care to maintain its accuracy.

SAFETY INSTRUCTIONS



WARNING

This product emits radiation classified as Class II according to EN 60825 -1

The laser radiation can cause serious eye injury



- Do not stare into the laser beam
- Do not position the laser beam so that it unintentionally blinds you or others.
- Do not operate the laser level near children or let children operate the laser level.
- Do not look into a laser beam using magnifying optical devices such as binoculars or a telescope, since it will increase the level of eye injury.



WARNING: This product contains lead in soldered joints and certain Electrical parts contain chemicals which are known to the State of California to cause cancer, birth defects or other reproductive harm.

(California Health & Safety Code Section 25249.6- Proposition 65)



NOTE

The green goggles are intended to enhance the visibility of the laser beam. They will not protect your eyes against laser radiation.



- Do not remove or deface warning labels on the laser level.
- Do not disassemble the laser level, laser radiation can cause serious eye injury.
- Do not drop the unit.
- Do not use solvents to clean the laser unit.
- Do not use in temperatures below -10°C or above 50°C (14°F to 122°F)
- Do not operate the laser in explosive atmospheres such as flammable liquids, gases or dust. Sparks can cause ignition.
- When not in use remove the battery, engage the pendulum lock and place the laser in the carrying pouch.
- Make sure the pendulum lock mechanism is engaged before transporting the laser.

NOTE

If the Pendulum lock mechanism is not engaged before transportation, internal mechanical damage may occur.

BATTERY INSTALLATION & SAFETY

The 883HG/BG Prolaser® 3D All-Lines GREEN offers 2 power supply options: a rechargeable Li-Ion battery pack or 4 AA Alkaline batteries (battery compartment included).

Installation

1. Press down the latch of the battery cover.
2. Insert the Li-Ion battery pack or the battery compartment with the 4 AA Alkaline batteries, with the terminal contacts forward, according to the shape of the battery compartment.
3. Close the battery cover.



Alkaline batteries

Battery
compartment

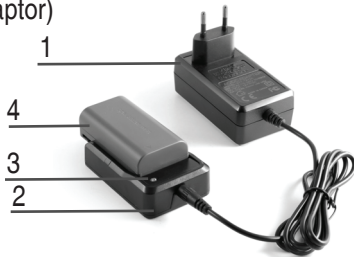


Li- Ion battery

Charge the Li- Ion battery or use new AA Alkaline batteries if the beam/ battery indicator (b) starts to flash instead of emitting a steady light.

NOTE: Connecting the charger with the charging adaptor to the power (without the battery) will show a steady green LED indicator with a small blinking dot. During the charging the LED indicator (on the charging adaptor) will be red and then green, once fully charged.

1. **Charger**
2. **Charging adaptor**
3. **LED indicator**
4. **Rechargeable battery**



! **WARNING:** Battery can deteriorate, leak or explode and can cause injury or fire.

1. Do not shorten the battery terminals.
2. Do not dispose of battery into household waste.
3. Do not dispose of battery in fire.
4. Defective or dead batteries must be disposed according to local regulations.
5. Keep the batteries out of children's reach.

OVERVIEW

1. On/Off Locking Switch
2. Keypad
 - a. Beam Selector/Manual mode button
 - b. Beam / Battery indicator
 - c. Pulse Mode button
 - d. Pulse Mode indicator
3. Horizontal laser beam window
4. Forward vertical laser beam window
5. Side vertical laser beam window
6. Battery cover
7. 1/4" tripod mount
8. 5/8" tripod mount





OPERATING INSTRUCTIONS

Working in Automatic mode (self-leveling):

In automatic mode the laser level will level itself in a $\pm 2.5^\circ$ range and will project 1 horizontal 360° or/and 2 vertical 360° green beams.

1. Remove the laser level from the case and place it on a solid, flat, vibration free surface or on a tripod.
2. Push the locking switch #1 to the **ON** position. The laser level will project a 360° horizontal beam. The beam indicator (b) will turn on.
3. Press the beam selector button (a) - it will turn on a 360° vertical side beam instead of the horizontal beam.
4. An additional click on the beam selector button will turn on a 360° vertical front beam in addition to the side vertical beam.
5. One more click on the beam selector button (a) will switch on the horizontal beam in addition to the vertical beams.
6. An additional click on the beam selector button (a) will switch off the two vertical beams.
7. If the initial inclination of the laser level is beyond $\pm 2.5^\circ$ and the automatic mode is activated, the laser beams will flash. In this case reposition the laser level on a more level surface.
8. Before moving the laser level turn the locking switch #1 to the **OFF** position, this will lock the pendulum and protect your laser level.

Working in Manual mode:

In Manual mode the 883HG/BG self-leveling mechanism is disabled and the laser beams can be set at any slope required.

1. Verify that the locking switch #1 is on the **OFF** position.
2. Press and hold the Manual mode button (a) for 3 seconds, to activate the manual mode. The laser level will project a 360° horizontal beam that will flash every 3 sec. to let you know that the beam is not leveled. The beam indicator (b) will turn on.
3. To mark a slope, tilt the laser to the desired angle.
4. To choose another beam, briefly press the beam selector button (a) - it will turn on a 360° vertical side beam instead of the horizontal beam.
5. An additional click on the beam selector button (a) will add a 360° forward vertical flashing beam.
6. One more click on the beam selector button (a) will switch on the horizontal beam in addition to the vertical beams.
7. Next click on the beam selector button (a) will switch **OFF** all the beams and the beam indicator (b) will turn off.
8. While in Manual mode, turning the locking switch #1 from **OFF** to **ON** will turn off the Manual mode. The automatic self – leveling mode will be activated (if the laser level is within the self – leveling range).

Working in Pulse mode with a detector:

For outdoor work under direct sunlight or bright conditions, and for extended indoor ranges up to 70 meters, use the pulse mode with a Detector. When the pulse mode is activated the laser beams will flash at a very high frequency (invisible to the human eye). This will allow the detector to detect the laser beams.

1. The pulse mode can be activated both in Automatic and in Manual mode.
2. Turn on the laser level (to the required mode).
3. Press the Pulse mode button (c) to activate it. The Pulse mode indicator (d) will turn on. Visually, the intensity of the beam will be a bit reduced.
4. Turn on the detector and search for laser beam.
5. You can choose a different beam, by pressing on the beam selector button (a), while you are in Pulse Mode.
6. To switch the Pulse Mode off, press the Pulse mode button (c) and the Pulse mode indicator (d) will turn off.

MAINTENANCE

To maintain the accuracy of your project, check the accuracy of your laser level according to the field calibration tests procedures.

- Change the battery when the laser beams begins to dim.
- Wipe the aperture lens and the body of the laser level with a clean soft cloth. Do not use solvents.
- Although the laser level is dust and dirt resistant to a certain degree, don't store in dusty places as long term exposure may damage internal moving parts.
- If the laser level is exposed to water, dry the laser level before returning it to the carrying case to prevent corrosion damage.
- Remove the battery if the laser level is unused for a long period of time to prevent corrosion damage.



FIELD CALIBRATION TEST

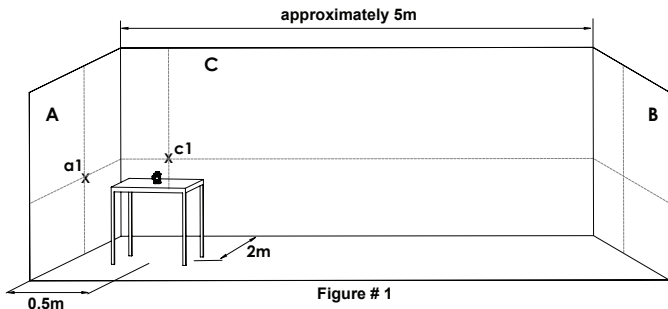
This laser level left the factory fully calibrated. Kapro recommends the user check the accuracy of the laser periodically, especially if the unit falls or is mishandled.

1. Check the height accuracy of the cross created by the lateral (#5) and the horizontal lines.
2. Check the height accuracy of the cross created by the longitudinal (#4) and the horizontal lines.
3. Check the accuracy of the forward vertical beam.
4. Check the accuracy of the side vertical beam.
5. Check the perpendicularity between the 2 vertical beams.

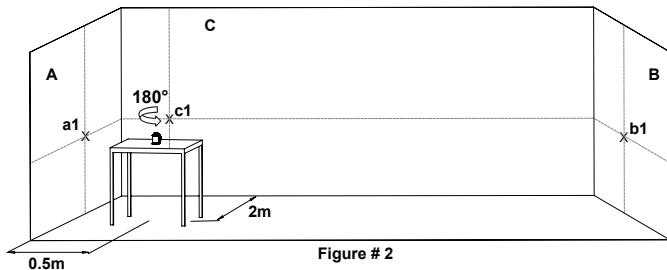
1. Checking the Height Accuracy of the cross created by the lateral (#5) Horizontal lines.

(Up and down deviation)

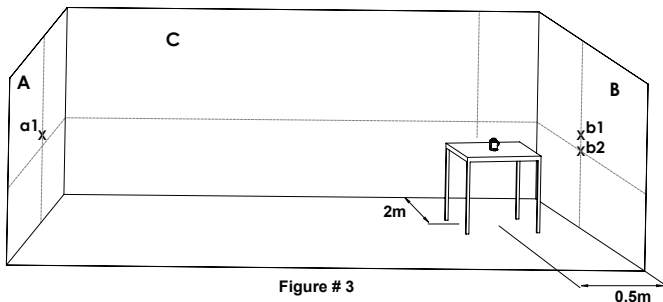
- 1) Set up the laser on a table or on the floor between 3 walls **A**, **B** and **C**. The distance between **A** and **B** should be approximately 5 meters.
- 2) Position the laser level approximately 0.5 meters from wall **A** and 2 meters from wall **C**.
- 3) Unlock the pendulum and press the Beam Selector (a), twice to project all 3 lasers beams.
- 4) Direct the cross lines of the horizontal beam and the side vertical beam (# 5) towards wall **A**.
- 5) Mark on wall **A** the center of the cross beams as **a1**, and on wall **C** mark the center of the cross beam as **c1** (see figure # 1).



- 6) Turn the laser 180° towards wall **B**. Reposition the laser and verify that the 2 vertical lines pass through **a1** and **c1**.
- 7) Mark on wall **B** the center of the cross beams as **b1** (see figure # 2).



- 8) Without turning the laser level, lock the pendulum and move the laser level towards wall **B** and position it approximately 0.5 meter from wall **B**.
- 9) Unlock the pendulum and press the Beam Selector (a) twice to project all 3 lasers beams.
- 10) Verify that the vertical line passes through **a1** and **b1**.
- 11) On wall **B**, mark the center of the cross beams as **b2** (see figure# 3).



- 12) Turn the laser 180°. Reposition the laser and verify that the 2 vertical lines pass through **b2** and **a1**.
- 13) On wall **A**, mark the center of the cross beams as **a2** (see figure # 4).

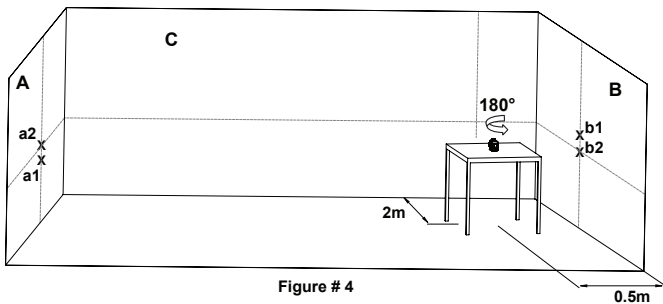


Figure # 4

14) Measure the distances:

$$\Delta a = |a2 - a1|$$

$$\Delta b = |b1 - b2|$$

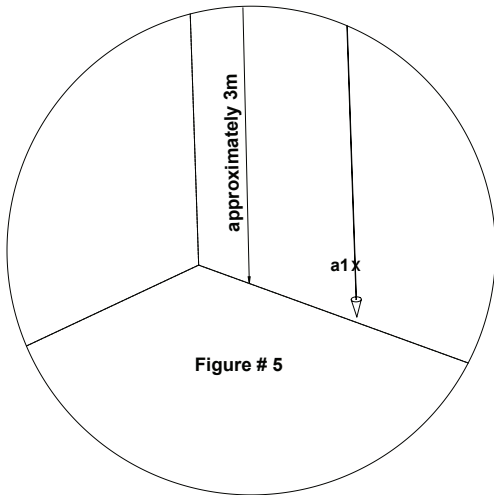
15) The difference $|\Delta a - \Delta b|$ should be no more than 3 mm, otherwise send the laser level to a qualified technician for repair.

2. Checking the Height Accuracy of the cross created by the longitudinal (#4) and horizontal lines. (Up and down deviation)

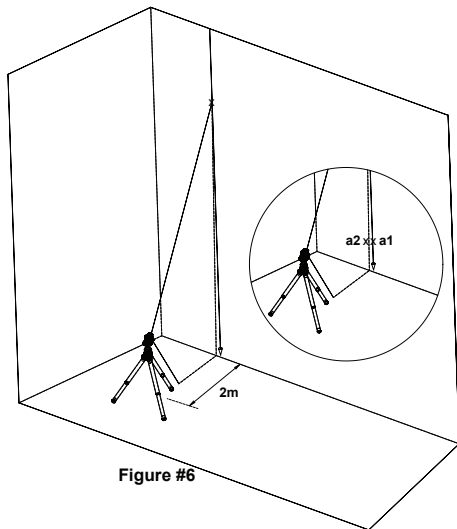
- 1) Set up the laser on a table or on the floor between 3 walls **A**, **B** and **C**. The distance between **A** and **B** should be approximately 5 meters.
- 2) Position the laser level approximately 0.5 meters from wall **A** and 2 meters from wall **C**.
- 3) Unlock the pendulum and press the Beam Selector (a) twice, to project all 3 lasers beams.
- 4) Direct the cross lines of the horizontal beam and the forward vertical beam (#4) towards wall **A**.
- 5) Repeat the previous marking procedures from paragraph 5 - 15

3. Checking the Accuracy of the forward Vertical beam (#4).

- 1) Hang an approximately 3 meter long plumb line on a wall.
- 2) After the plumb line has settled, mark point **a1** on the wall behind the plumb line, near the plumb cone. (see figure # 5).



- 3) Set up the laser on a tripod or on a solid surface in front of the wall, at a distance of approximately 2 meters.
- 4) Unlock the pendulum and press the button to project the vertical forward beam (#4) towards the plumb line.
- 5) Turn the laser, so the vertical beam will merge with the plumb line below the hanging point.
- 6) Mark point **a2** on the wall, in the middle of the vertical beam at the same height as **a1**. (see figure # 6).



7) The distance between **a1** and **a2**, should be no more than 1mm, otherwise send the laser level to a qualified technician for repair.

4. Checking the Accuracy of the side Vertical beam (#5).

For the second vertical beam, repeat the previous marking procedures from paragraph 1 -7.

5. Checking 90° accuracy between the 2 Vertical beams.

This procedure requires a room of at least 5x5 meters with 3 walls.

- 1) Set up the laser on a table or on the floor in the middle of the room.
- 2) Unlock the pendulum and press the button Beam Selector (a) twice, to project the forward and the side vertical beams
- 3) Mark the center of the side vertical beam in 3 places;
 - Point **a1** on the left wall **A**, in the middle of the vertical line.
 - Point **b1** on the right wall **B**, in the middle of the vertical line.
 - Point **c1** on the table, in the middle of the cross lines of the 2 verticals.
- 4) Mark the point **c2** on the front wall **C**, in the middle of the vertical line (see figure # 7).

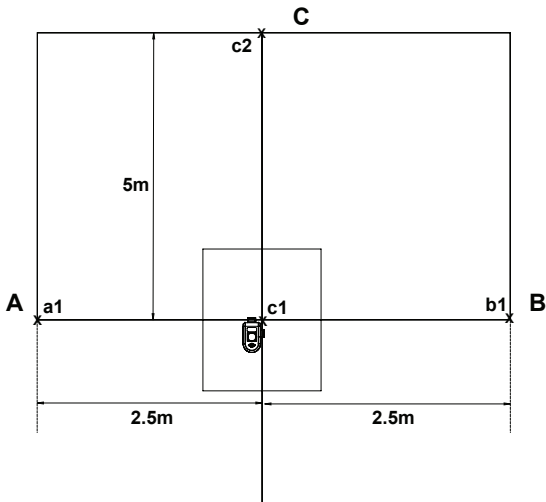


Figure # 7

- 5) Rotate the laser 90° counterclockwise so that the cross beams pass through **c1** on the table, and the forward laser beam passes through the marks **a1** and **b1** on the walls **A** and **B** respectively.
- 6) Mark as **c3** the center of the side vertical beam on wall **C**, at the same height as point **c2**. (see figure # 8).

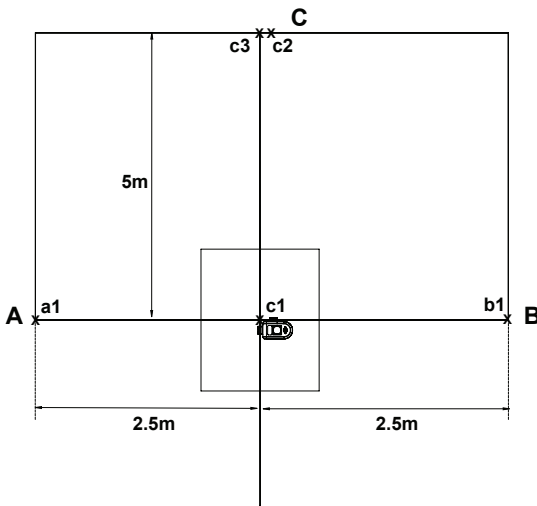


Figure # 8

- 7) The distance between **c2** and **c3**, should be no more than 1.5mm, otherwise send the laser level to a qualified technician for repair.



SPECIFICATIONS

Laser beams output pattern	<ul style="list-style-type: none">• Horizontal 360°• Side vertical 360°• Both verticals 360°• Horizontal and verticals all 360°
Laser range	<ul style="list-style-type: none">• Indoor - 30m (100ft) with green goggles• With detector - 70m (230ft)
Accuracy	±0.2mm/m (±0.0002in/in)
Self-leveling Range	±2.5°
Laser line width	2 mm±0.5mm/5m (0.10" ±0.02" at 20')
Wavelength	515-525nm - Laser Class II
Power supply	2600mAh Li-Ion battery 7.4V or 4 AA Alkaline batteries
Battery life	Up to 8 hours of continuous operation with Li-Ion battery
Operating temp.	-10° C + 50° C (14°F +122°F)
Storage temp.	-20° C +60° C (-4°F +140°F)
Water & dust proof	IP65
Dimensions	150mm x 90mm x 130mm (5.9" x 3.6" x 5.1")
Weight including battery	750gr ± 10gr (26.5 oz ± 0.35 oz)

WARRANTY

This product is covered by a three-year limited warranty against defects in materials and workmanship. The warranty does not cover products that are used improperly, altered or repaired without Kapro Tool's approval. In the event of a problem with the laser level, please return the product to the place of purchase with proof of purchase.

Model #883HG/883BG

The serial number sticker is positioned inside the battery compartment.

CE CONFORMITY CERTIFICATE

This product meets the standards of the Electromagnetic Compatibility (EMC) established by the European Directive 2014/30/EU and the Low Voltage Directive (LVD) 2014/35/EU

EC DECLARATION OF CONFORMITY

We declare under our responsibility that the product 883HG/BG is in accordance with the requirements of the Community Directives and Regulations:

2014/30/EU

2011/65/EU

EN60825-1: 2014

EN61326-1: 2013



ES

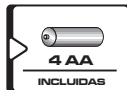
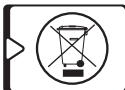
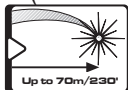
Gracias por comprar el 88HG/BG Prolaser® 3D All-Lines Verde de Kapro, una de las herramientas láser más avanzadas del mercado.

Este manual le mostrará cómo sacarle el máximo partido.

APLICACIONES

El nivel láser 883HG/BG Prolaser® 3D All-Lines Verde cuenta con 3 diodos verdes y emite 3 líneas circulares. Gracias a diseño innovador, puede utilizarse para una amplia gama de trabajos profesionales y de bricolaje, como:

- Colgar armarios y estantes.
- Colocar suelos y revestimientos.
- Instalar placas de yeso y techos acústicos.
- Enmarcar y alinear puertas y ventanas.
- Nivelar enchufes eléctricos, tuberías y montantes.
- Disponer con precisión ángulos rectos para suelos, vallas, puertas, cubiertas y pérgolas.
- Nivelar pendientes para escaleras, barandillas, techos, etc. (modo manual).



NOTA

Guarde este manual del usuario para consultarlo en el futuro.

ÍNDICE

- **Características** 28
- **Instrucciones de seguridad** 29-30
- **Instalación de pilas y seguridad** 31-32
- **Descripción general** 33
- **Instrucciones de funcionamiento** 34-36
- **Mantenimiento** 37
- **Prueba de calibración** 38-47
- **Especificaciones** 48
- **Garantía** 49



CARACTERÍSTICAS

- Esta herramienta láser determina automáticamente los planos horizontal y vertical.
- El láser proyecta una línea horizontal de 360 ° y dos ortogonales de 360 ° verticales, que se interceptan en 4 paredes, el piso y el techo.
- Se auto nivela en modo automático cuando el láser está posicionado dentro de su rango de auto nivelación que es de $\pm 2.5^\circ$.
- Advertencia visual cuando el láser está fuera del rango de nivelación.
- El modo Pulso emite pulsos que pueden ser detectados con detector.
- Max. rango de trabajo en interiores es de 30 m (100') con gafas Beamfinder™.
- El alcance máximo de detección del láser en modo Pulso es de 70m (230').
- El modo manual permite la disposición / el marcado angular.
- Clasificación IP65 con protección contra agua y polvo.
- Mecanismo de bloqueo para proteger el péndulo durante transporte.
- Rosca de trípode de 1/4" y 5/8".
- Carcasa resistente a golpes sobre funda moldeada.
- Compartimiento de batería para el uso opcional de 4 pilas alcalinas.
- Cargador.

NOTA

Este dispositivo contiene componentes de precisión sensibles a caídas o golpes e impactos externos, que pueden afectar su funcionalidad – manéjelo con cuidado para mantener su precisión.

INSTRUCCIONES DE SEGURIDAD



ADVERTENCIA

Este producto emite radiación clasificada como de Clase II según la norma EN 60825 -1

La radiación láser puede causar lesiones oculares graves



- No mire directamente al rayo láser
- No posicione el haz de láser de modo que enceguezca sin querer a otras personas o a usted mismo.
- No opere el nivel láser cerca de niños, ni permita a los niños utilizar el nivel láser.
- No mire a un rayo láser utilizando equipos ópticos de aumento, tal como prismáticos o telescopio, ya que esto aumentará el nivel de lesión ocular.

! **ADVERTENCIA:** Este producto contiene plomo en las soldaduras, y ciertas partes eléctricas contienen productos químicos que son reconocidos por el Estado de California como causantes de cáncer, defectos de nacimiento u otros daños reproductivos. (California Health & Safety Code Section 25249.6- Proposition 65)



NOTA

Las gafas de color verde están destinadas a mejorar la visibilidad del haz de láser. No protegerán sus ojos contra la radiación láser.



- No quite ni destruya las etiquetas de advertencia del nivel láser.
- No desarme el nivel láser, la radiación láser puede causar lesiones oculares graves.
- No deje caer el láser.
- No utilice disolventes para limpiar la unidad láser.
- No debe usarse en temperaturas inferiores a -10°C o superiores a 50°C (14°F / 122°F)
- No opere el láser en atmósferas explosivas, tales como líquidos inflamables, gases o polvo. Las chispas de la herramienta pueden causar ignición.
- Cuando no esté en uso, apague la unidad, enganche el bloqueo del péndulo, y coloque el láser en el estuche de transporte.
- Asegúrese de que el mecanismo de bloqueo del péndulo esté activado antes de transportar el láser.

NOTA

Si el mecanismo de bloqueo del péndulo no está activado antes del transporte, se podría producir daño mecánico interno.

INSTALACIÓN DE PILAS Y SEGURIDAD

El 883HG/BG Prolaser® 3D All-Lines Verde ofrece 2 opciones de fuente de alimentación: una pila recargable de ion de litio o 4 pilas alcalinas AA (el compartimiento de pilas está incluido).

Instalación

1. Presione hacia abajo el pestillo de la tapa del compartimiento de pilas.
2. Inserte la pila de iones de litio o el compartimiento de pilas con las 4 pilas alcalinas AA, con los contactos del terminal hacia adelante, según la forma del compartimiento de pilas.
3. Cierre la tapa del compartimiento de pilas.



Pilas alcalinas

Compartimiento
de pilas

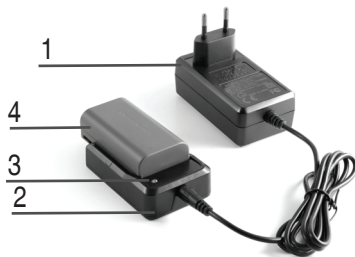


Pila de litio

Cargue la pila de litio o use pilas alcalinas AA nuevas si el indicador de haz / pila (b) comienza a parpadear en lugar de emitir una luz constante.

NOTA: cuando conecta el cargador con el adaptador (sin la pila) en la electricidad, vera una luz LED verde fija con un pequeño punto parpadeante. Durante la carga (con la pila) la luz será roja y se volverá verde cuando la pila este completamente cargada.

- 1. Cargador**
- 2. Adaptador de carga**
- 3. Indicador LED**
- 4. Pila recargable**



! ADVERTENCIA:

Las pilas pueden deteriorarse, producir fugas o explosiones, y pueden causar lesiones o incendios.

1. No acorte los terminales de las pilas.
2. No recargue las pilas alcalinas.
3. No mezcle pilas viejas y nuevas.
4. No deseche las pilas en la basura hogareña.
5. No deseche las pilas en el fuego.
6. Las pilas defectuosas o gastadas deben desecharse de acuerdo con las normativas locales.
7. Mantenga las pilas fuera del alcance de los niños.

DESCRIPCIÓN GENERAL

1. Interruptor On/Off

2. Teclado

- a. Selector de rayo / botón de modo Manual
- b. Indicador de rayo / pila
- c. Botón de modo Pulso
- d. Indicador de modo Pulso

3. Ventana de rayo láser horizontal

4. Ventana de rayo láser vertical hacia adelante

5. Ventana lateral de rayo láser vertical.

6. Tapa de pilas

7. Montaje de trípode de 1/4" y de 5/8"





INSTRUCCIONES DE FUNCIONAMIENTO

Funcionamiento en modo automático (autonivelante):

En modo automático, el nivel láser se autonivelará en el rango de $\pm 2,5^\circ$ y proyectará 1 rayo verde horizontal de 360° y/o 2 rayos verdes verticales de 360° .

1. Saque el láser del maletín y colóquelo sobre una superficie plana, llana y sin vibraciones o sobre un trípode.
2. Ponga el interruptor n.º 1 en la posición **ON**.
El nivel láser proyectará un rayo horizontal. El indicador de rayo láser (b) se prendera.
3. Pulse el botón de selección de líneas (a). Se apagará el rayo horizontal y se proyectará un rayo vertical lateral de 360° .
4. Haga un clic adicional en el botón de selección de líneas (a); y se proyectará hacia adelante un rayo vertical de 360° además del rayo vertical lateral.
5. Haga un clic adicional en el botón de selección de líneas (a) y se añadirá el rayo horizontal.
6. Haga un clic adicional en el botón de selección de líneas (a) y se apagaran los 2 rayos verticales.
7. Si el nivel inicial del láser está fuera del intervalo $\pm 2,5^\circ$ y el modo automático esta activado, los rayos parpadearán. En este caso, cambie la posición del láser colocándolo sobre una superficie más nivelada.
8. Antes de mover el nivel láser, ponga el interruptor n.º 1 en la posición **OFF** (apagado) para bloquear el péndulo y proteger el láser.

Funcionamiento en modo manual:

En modo manual, el mecanismo de autonivelación del 883GB está desactivado y los rayos láser se pueden ajustar en cualquier pendiente necesaria.

1. Verifique que el interruptor n.º 1 esté en posición **OFF** (apagado).
2. Pulse y mantenga pulsado el botón de selección de líneas (a) durante 3 segundos para activar el modo manual. El nivel láser proyectará un rayo horizontal de 360°, que parpadeará cada 5 segundos para indicar que el rayo no está nivelado. El indicador de láser (b) se prendera.
3. Para marcar una pendiente, incline el láser al ángulo deseado.
4. Para elegir otro rayo, pulse brevemente el botón de selección de líneas (a) y se prendera un rayo láser vertical lateral en vez del horizontal.
5. Pulse brevemente el botón de selección de líneas (a) nuevamente y se proyectará un rayo vertical lateral intermitente de 360°.
6. Haga un clic adicional en el botón de selección de líneas (a) y se añadirá un rayo horizontal.
7. Haga un clic adicional en el botón de selección de líneas (a) y se apagarán todos los rayos. El indicador de rayos (b) se apagará también.
8. En modo manual, cambie el interruptor n.º 1 de **OFF** (apagado) a **ON** (encendido) para apagar el modo manual. Se activará el modo automático de autonivelación (si el nivel láser está dentro del rango de autonivelación).

Funcionamiento en modo pulso con un detector:

Para trabajos al aire libre bajo la luz solar directa o en condiciones con mucha luminosidad, y para rangos extendidos en interiores de hasta 70 metros, use el modo pulso con un detector. Cuando se activa el modo pulso, los rayos láser parpadean a una frecuencia muy alta (invisible al ojo humano), lo que permite que el detector detecte los rayos láser.

1. El modo pulso se puede activar en modo Automático y en modo Manual.
2. Ponga el interruptor n.º 1 en la posición **ON** (encendido).
3. Presione el botón (c) para activar el modo Pulso. El indicador de modo Pulso (d) se prenderá. Se puede apreciar visualmente que la intensidad del haz se reduce un poco.
4. Encienda el detector y busque el rayo láser.
5. Para cambiar el tipo de rayo en modo Pulso, pulse brevemente el botón de selección de líneas (a).
6. Para apagar el modo Pulso, presione el botón de modo Pulso (c) y el indicador de modo Pulso (d) se apagará.

MANTENIMIENTO

Para garantizar la precisión del trabajo, verifique la precisión del nivel láser de acuerdo con los procedimientos de pruebas de calibración.

- Cambie las pilas cuando los rayos láser empiecen a atenuarse.
- Limpie el objetivo/la lente de apertura y el cuerpo del nivel láser con un paño suave y limpio. No utilice disolventes.
- Aunque el nivel láser es resistente al polvo y a la suciedad en cierta medida, no lo almacene en lugares polvorientos, ya que una exposición prolongada puede dañar las piezas móviles internas.
- Si el nivel láser se expone al agua, séquelo antes de colocarlo en el estuche de transporte para evitar daños por corrosión.
- Retire las pilas si el nivel láser no se utiliza durante un largo período de tiempo para evitar daños por corrosión.



PRUEBA DE CALIBRACIÓN

Este nivel láser sale de fábrica totalmente calibrado.

Kapro recomienda al usuario comprobar la precisión del láser periódicamente, especialmente en caso de caída de la unidad o manipulación indebida.

1. Compruebe la precisión de la altura de la intersección de las líneas laterales (n.º 5) y la línea horizontal.
2. Compruebe la precisión de la altura de la intersección de las líneas longitudinales (n.º 4) y horizontal.
3. Compruebe la precisión del rayo vertical frontal.
4. Compruebe la precisión del rayo vertical lateral.
5. Compruebe la perpendicularidad entre los 2 rayos verticales.

1. Comprobación de la precisión de la altura de la intersección de las líneas laterales (n.º 5) y horizontal. (Desviación hacia arriba y hacia abajo)

- 1) Coloque el láser sobre una mesa o en el suelo entre 3 paredes **A**, **B** y **C**. La distancia entre **A** y **B** debe ser de aproximadamente 5 metros.
- 2) Coloque el nivel láser aproximadamente a 0,5 metros de la pared **A** y a 2 metros de la pared **C**.
- 3) Desbloquee el péndulo y presione el botón (a) dos veces para proyectar los 3 rayos láser.
- 4) Dirija las líneas transversales del rayo horizontal y del rayo vertical lateral (n.º 5) hacia la pared **A**.
- 5) Marque en la pared **A** el centro del punto de intersección como **a1**, y en la pared **C** marque el centro del punto de intersección como **c1** (véase la figura n.º 1).

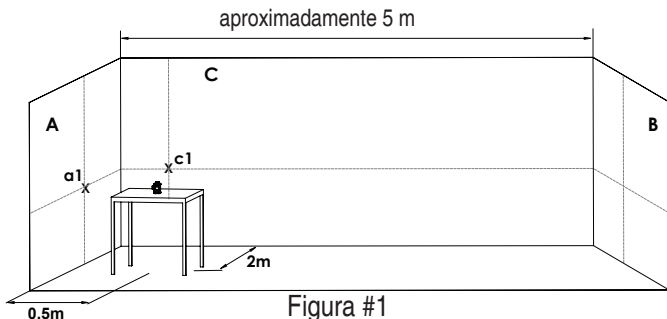


Figura #1

- 6) Gire el láser 180° hacia la pared **B**. Vuelva a colocar el láser y verifique que las 2 líneas verticales pasan por **a1** y **c1**.
- 7) Marque en la pared **B** el centro del punto de intersección como **b1** (véase la figura n.º 2).

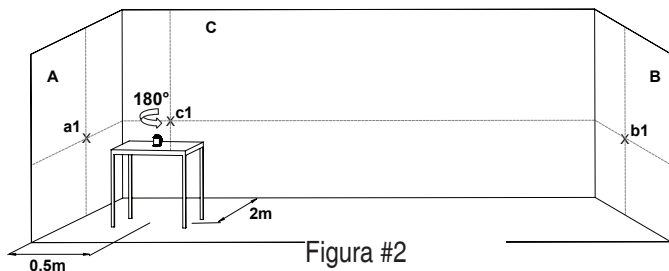
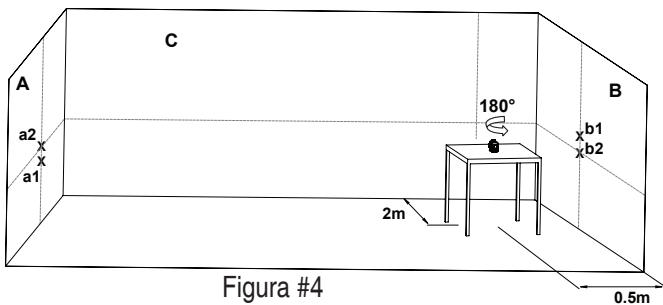


Figura #2



14) Mida las distancias:

$$\Delta a = |a2 - a1|$$

$$\Delta b = |b1 - b2|$$

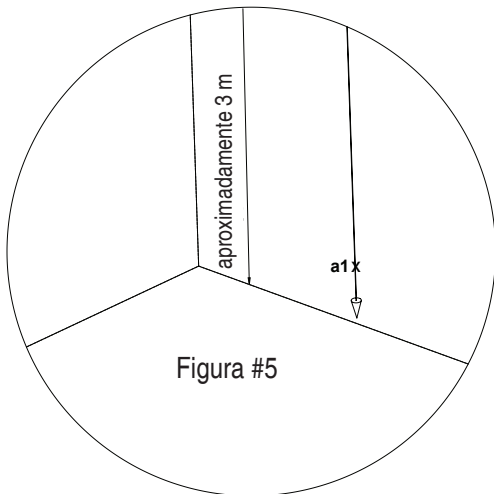
15) La diferencia $|\Delta a - \Delta b|$ no debe ser superior a 3 mm. De lo contrario, el nivel láser debe ser reparado por un técnico calificado.

2. Comprobación de la precisión de la altura de la intersección de las líneas longitudinales (n.º 4) y la línea horizontal. (Desviación hacia arriba y hacia abajo).

- 1) Coloque el láser sobre una mesa o en el suelo entre 3 paredes **A**, **B** y **C**. La distancia entre **A** y **B** debe ser de aproximadamente 5 metros.
- 2) Coloque el nivel láser aproximadamente a 0,5 metros de la pared **A** y a 2 metros de la pared **C**.
- 3) Desbloquee el péndulo y presione el botón (a) dos veces para proyectar los 3 rayos láser.
- 4) Dirija las líneas transversales del rayo horizontal y del rayo vertical frontal (n.º 4) hacia la pared **A**.
- 5) Repita el procedimiento de marcación indicado anteriormente en los puntos 5 a 15.

3. Comprobación de la precisión del rayo vertical frontal (n.º 4).

- 1) Cuelgue una plomada sobre una línea de aproximadamente 3 metros en una pared.
- 2) Una vez que la línea de plomada esta colocada, marque el punto **a1** en la pared detrás de la línea de plomada cerca del cono de plomada (véase la figura n.º 5).



- 3) Coloque el láser sobre un trípode o sobre una superficie llana, delante de la pared a una distancia de aproximadamente 2 metros.
- 4) Desbloquee el péndulo y pulse el botón para proyectar el rayo vertical frontal (n.º 4) hacia la línea de plomada.
- 5) Gire el láser de modo que el rayo vertical se fusione con la línea de plomada por debajo del punto de suspensión.
- 6) Marque el punto **a2** sobre la pared, en el centro del rayo vertical a la misma altura que **a1** (véase la figura n.º 6).

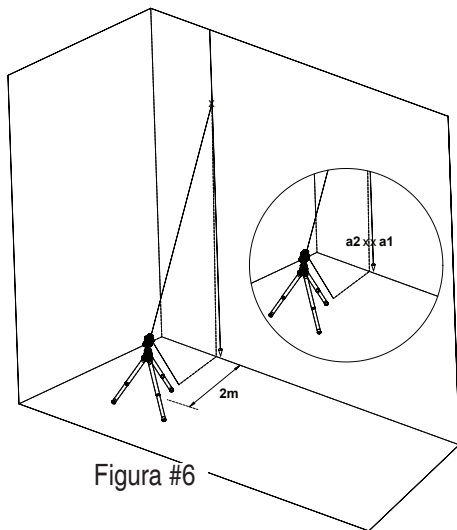


Figura #6

7) La distancia entre **a1** y **a2** no debe ser superior a 1 mm. De lo contrario, el nivel láser debe ser reparado por un técnico calificado.

4. Comprobación de la precisión rayo vertical lateral (n.º 5).

Para el segundo rayo vertical, repita el procedimiento de marcación indicado anteriormente en los puntos 1 a 7.

5. Comprobación de la precisión de 90° entre los 2 rayos verticales.

Este procedimiento debe realizarse en una sala de al menos 5 x 5 metros con 3 paredes.

- 1) Coloque el láser sobre una mesa o sobre el suelo en el centro de la sala.
- 2) Desbloquee el péndulo y presione dos veces el botón (a) para proyectar el rayo vertical frontal y el rayo vertical lateral.
- 3) Marque el centro del rayo vertical lateral en 3 lugares;
 - Punto **a1** sobre la pared izquierda **A**, en el centro de la línea vertical.
 - Punto **b1** sobre la pared derecha **B**, en el centro de la línea vertical.
 - Punto **c1** sobre la mesa, en el centro de las líneas transversales de las 2 verticales.
- 4) Marque el punto **c2** sobre la pared frontal **C**, en el centro de la línea vertical (véase la figura n.º 7).

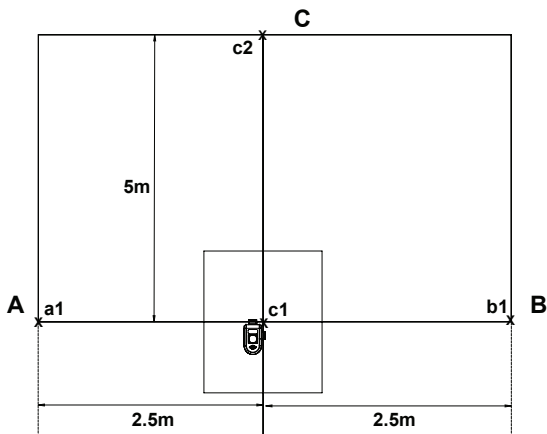


Figura #7

- 5) Gire el láser 90° en sentido contrario a las agujas del reloj para que los rayos transversales pasen a través de **c1** sobre la mesa, y el rayo frontal pase a través de las marcas **a1**, y **b1** sobre las paredes **A** y **B**, respectivamente.
- 6) Marque como **c3** el centro del rayo vertical lateral sobre la pared **C**, a la misma altura que el punto **c2**.
(véase la figura n.º 8).

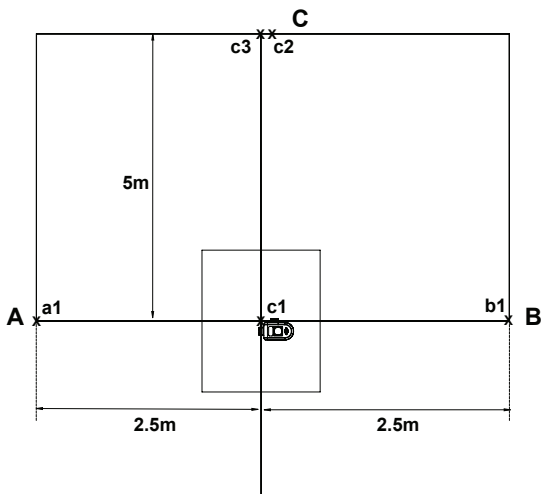


Figura #8

- 7) La distancia entre **c2** y **c3** no debe ser superior a 1,5 mm.
De lo contrario, el nivel láser debe ser reparado por un técnico calificado.



ESPECIFICACIONES

Patrón de salida de rayos láser	Horizontal 360° Vertical lateral 360° Dos ortogonal de 360° verticales Horizontal y los dos verticales 360°
Rango del láser	<ul style="list-style-type: none">• En interiores – 30 m (100 ft) con gafas para visión láser de color verde• Con detector – 70 m (230 ft)
Precisión	±0.2mm/m (±0.0002in/in)
Intervalo de autonivelación	±2.5°
Ancho de línea láser	2 mm±0.5mm/5m (0.10" ±0.02" a 20')
Longitud de onda	515-525nm - Láser de clase II
Alimentación de tensión	2600mAh Li-Ion pila 7.4V o 4 pilas alcalinas AA (incluidas)
Duración de la batería	Hasta 8 horas de funcionamiento continuo con la pila de Litio
Temperatura de funcionamiento	-10° C + 50° C (14°F +122°F)
Temperatura de almacenamiento	-20° C +60° C (-4°F +140°F)
Protección contra polvo y salpicaduras de agua	IP65
Dimensiones	150mm x 90mm x130mm (5.9" x 3.6" x 5.1")
Peso (pilas incluidas)	750gr±10gr (26.5oz ±0.35oz)

GARANTÍA

Este producto está cubierto por una garantía limitada de tres años contra defectos de materiales y mano de obra.

No cubre los productos que se utilicen inadecuadamente, se modifiquen o se reparen sin la aprobación de Kapro.

En caso de problemas con el nivel láser que ha adquirido, por favor devuelva el producto al lugar de compra presentando el comprobante de compra.

Modelo #883HG/883BG

La etiqueta con el número de serie está colocada en el interior del compartimiento de pilas.

CERTIFICADO DE CONFORMIDAD CE

Este producto cumple con las normas de Compatibilidad Electromagnética (CEM) establecido por la Directiva Europea 2014/30/EU y el Reglamento para baja tensión 2014/35/EU.

DECLARACIÓN DE CONFORMIDAD CE

Declaramos bajo nuestra responsabilidad, que el producto: 883HG/BG está en acuerdo con los requisitos de las directivas y reglamentos siguientes:

2014/30/EU

2011/65/EU

EN60825-1: 2014

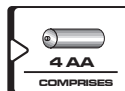
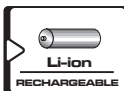
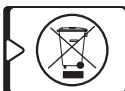
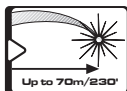
EN61326-1: 2013

Nous vous félicitons pour votre achat du 883HG/BG Prolaser® 3D All-Lines Vert de Kapro. Vous êtes en possession de l'un des instruments laser les plus avancés du marché. Ce manuel décrit comment tirer le meilleur parti de votre outil laser.

APPLICATIONS

Le 883HG/BG Prolaser® 3D All-Lines Vert est un niveau laser doté de trois diodes vertes, émettant 3 lignes circulaires. De conception innovante, ce laser se destine à de très nombreuses tâches professionnelles ou de bricolage, notamment :

- Pose d'étagères et de placards
- Pose de carrelage sol et mur
- Installation de cloisons sèches et pose de plafonds acoustiques
- Encadrement et alignement de portes et fenêtres
- Nivellement de prises électriques, canalisations, montants, etc.
- Traçage précis des angles pour la pose de revêtement de sol, de clôture, de portail, de terrasse, de pergola, etc.
- Nivellement de pente pour escaliers, rampes, toits, etc. (mode manuel)



REMARQUE

Conservez ce mode d'emploi à titre de référence.

CONTENU

- **Fonctions** 52
- **Consignes de sécurité** 53-54
- **Installation des piles et sécurité** 55-56
- **Vue d'ensemble** 57
- **Utilisation** 58-60
- **Entretien** 61
- **Test d'étalonnage** 62-71
- **Caractéristiques** 72
- **Garantie** 73



FONCTIONS

- Cet instrument laser définit automatiquement les plans horizontal et vertical.
- Ce laser projette 3 faisceaux de 360 ° sur 3 plans, les faisceaux se croisent sur 4 murs, au sol et au plafond.
- Auto-nivellement en mode automatique $\pm 2,5^\circ$.
- Alerte « hors portée » visuelle lorsque le niveau laser est hors portée.
- Le mode Pulse émet des pulses identifiables avec un détecteur.
- La portée maximale du laser en intérieur est de 30 m (100') avec lunettes Beamfinder™.
- La portée maximale détectable du laser en mode Pulse est de 70m (230').
- Mode manuel pour le traçage et le marquage d'angles.
- Indice de protection IP65 contre la pluie et la poussière.
- Système de verrouillage de protection de la pendule pour le transport.
- Adaptateur trépied 1/4" et 5/8".
- Revêtement en caoutchouc moulé, résistant aux chocs.
- Compartiment à piles pour utilisation facultative avec 4 piles alcalines AA.
- Chargeur.

REMARQUE

Cet appareil contient des pièces de précision sensibles aux chocs externes, aux impacts et à la chute, cela pourrait compromettre sa fonctionnalité. Manipuler avec soin pour maintenir sa précision.

CONSIGNES DE SÉCURITÉ



ATTENTION

Ce produit émet un rayonnement de classe 2 selon la norme EN 60825 -1



Le rayonnement laser peut entraîner de graves lésions oculaires

- Ne pas regarder dans le faisceau laser
- Ne pas placer le faisceau laser de sorte qu'il pointe en direction de vos yeux ou des yeux d'autrui
- Ne pas utiliser le niveau laser à proximité d'enfants ou laisser des enfants utiliser le niveau laser
- Ne pas regarder dans le faisceau laser avec un matériel optique grossissant, des jumelles ou un télescope par exemple, pouvant aggraver les lésions oculaires.

ATTENTION: Ce produit contient des soudures au plomb et certaines pièces électriques contiennent des produits chimiques connus de l'État de Californie pour causer le cancer, des malformations congénitales ou des dangers pour la reproduction (section 25249.6, proposition 65 du Code de santé et de sécurité de la Californie)



REMARQUE

Les lunettes vertes sont destinées à améliorer la visibilité du faisceau laser. Elles ne protègent pas les yeux contre le rayonnement laser.



- Ne pas retirer ou dégrader les étiquettes d'avertissement apposées sur le niveau laser
- Ne pas démonter le niveau laser, le rayonnement laser pouvant gravement endommager l'œil.
- Ne pas faire tomber l'appareil
- Ne pas employer de solvant pour nettoyer l'appareil
- Ne pas utiliser à des températures inférieures à - 10°C ou supérieures à 50°C (14°F - 122°F)
- Ne pas utiliser en environnement inflammable tel qu'en présence de liquides, gaz ou poussières inflammables. Les étincelles peuvent causer allumage.
- Lorsqu'il n'est pas utilisé, éteindre l'appareil, retirer les piles, verrouiller le balancier et placer le laser dans sa sacoche de transport.
- S'assurer que le mécanisme de verrouillage du balancier est engagé avant de transporter le laser

REMARQUE

Si le mécanisme de verrouillage de la pendule n'est pas engagé avant le transport, des dommages mécaniques internes peuvent survenir.

INSTALLATION DES PILES ET SÉCURITÉ

Le 883HG/BG Prolaser® 3D All-Lines Vert offre 2 options d'alimentation:

Une pile Li-Ion rechargeable ou 4 piles alcalines AA (compartiment à piles inclus).

Installation

1. Appuyez sur le loquet du couvercle de la pile.
2. Insérez le bloc-batterie Lithium ou le compartiment à pile avec les 4 piles alcalines AA, avec les contacts de borne vers l'avant, selon la forme du compartiment de piles.
3. Fermez le couvercle de pile.



Piles alcalines

Compartiment à piles



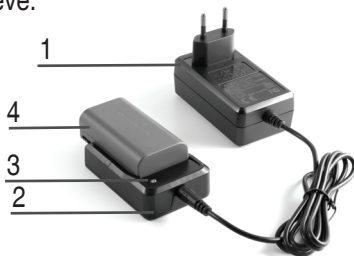
Pile Lithium

Rechargez la pile Lithium ou utilisez des piles alcalines AA neuves si l'indicateur de faisceau / pile (b) commence à clignoter au lieu d'émettre une lumière fixe.

REMARQUE :

Lorsque le chargeur est branché, une lumière LED verte fixe avec un petit point clignotant apparaît. Pendant le chargement de la pile, la lumière devient rouge et passe au vert lorsque le chargement de la pile est achevé.

1. Chargeur
2. Adaptateur de charge
3. Indicateur LED
4. Pile rechargeable



⚠ ATTENTION: les piles peuvent se détériorer, fuir ou exploser, et causer des blessures ou un incendie.

1. Ne pas raccourcir les bornes des piles.
2. Ne pas recharger des piles alcalines.
3. Ne pas mélanger des piles neuves et vieilles.
4. Ne pas jeter les piles avec les ordures ménagères.
5. Ne pas jeter les piles au feu.
6. Les piles défectueuses ou usagées doivent être mises au rebut conformément à la réglementation en vigueur.
7. Tenir les piles hors de portée des enfants.

VUE D'ENSEMBLE

1. Interrupteur On/Off

2. Clavier

a. Sélecteur de faisceau / bouton de mode Manuel

b. Faisceau / indicateur de piles

c. Bouton de mode Pulse

d. Indicateur de mode Pulse

3. Fenêtre de faisceau laser horizontal

4. Fenêtre de faisceau laser vertical avant

5. Fenêtre de faisceau laser vertical latéral

6. Couvercle de piles

7. Adaptateur trépied 1/4 " et de 5/8 "





UTILISATION

Fonctionnement en mode automatique (auto-nivellement) :

En mode automatique, le niveau laser s'auto-nivelle dans une plage de $\pm 2,5^\circ$ et projette un faisceau horizontal à 360° , et/ou deux faisceaux verticaux verts à 360° .

1. Retirez le laser du boîtier de protection et placez-le sur une surface plane et sans vibration, ou sur un trépied.
2. Poussez l'interrupteur n°1 en position **ON**. Le niveau laser génère un faisceau horizontal à 360° . L'indicateur de faisceau/piles (b) s'allumera.
3. Appuyez sur le bouton de faisceau (a) pour désactiver le faisceau horizontal et projeter le faisceau vertical latéral à 360° .
4. Appuyez de nouveau sur le bouton de faisceau (a) pour activer le faisceau frontal de 360° avec le faisceau vertical latéral.
5. Une pression supplémentaire sur le bouton de faisceau (a) désactive le faisceau horizontal aux faisceaux verticales.
6. Une pression supplémentaire sur le bouton de faisceau (a) désactive les faisceaux verticales.
7. Si le nivellement initial du laser est au-delà de $\pm 2.5^\circ$ et que le mode automatique est engagé, les faisceaux lasers clignotent. Dans ce cas, placez le niveau sur une surface plus plane.
8. Avant de déplacer le niveau laser, repoussez le bouton de verrouillage n°1 en position **OFF**. Le balancier est verrouillé et votre laser protégé.

Utilisation en mode manuel:

En mode manuel, le mécanisme d'auto-nivellement du 883GB est désengagé et les lignes laser peuvent être définies sur toute inclinaison.

1. Vérifiez que le bouton de verrouillage n°1 est en position **OFF**.
2. Appuyez pendant 3 secondes sur le bouton de faisceau (a) pour passer en mode Manuel. Le niveau projette un faisceau horizontal à 360° qui clignote toutes les 5 secondes pour indiquer que l'appareil n'est pas à niveau. L'indicateur de faisceau/piles (b) s'allumera.
3. Pour marquer une inclinaison, inclinez le laser à l'angle désiré.
4. Pour sélectionner un autre faisceau, appuyez brièvement sur le bouton (a).
5. Appuyez brièvement sur le bouton defaisceau (a). Le faisceau horizontal est désactivé et le faisceau vertical frontal à 360° clignote.
6. Appuyez de nouveau sur le bouton de faisceau (a) et le faisceau horizontal apparaîtra avec les faisceau verticales.
7. Appuyez de nouveau sur le bouton de faisceau (a) et tous les faisceaux seront désactivés.
8. En mode manuel, l'engagement du bouton de verrouillage n°1 de **OFF** à **ON** désengage le mode manuel. L'auto-nivellement est activé si le niveau laser se trouve dans la portée d'auto-nivellement.

Utilisation en mode Pulse avec un détecteur :

En cas d'utilisation sous la lumière solaire directe ou dans des conditions lumineuses élevées, ou à l'intérieur, à une portée supérieur à 70 mètres, utilisez le mode Pulse avec un détecteur. Lorsque le mode Pulse est engagé, les faisceaux laser clignotent à très haute fréquence (invisible à l'œil humain) pour permettre au détecteur de détecter les faisceaux laser.

1. Le mode Pulse est disponible en mode automatique.
2. Poussez l'interrupteur n°1 en position **ON**.
3. Appuyez sur le bouton de faisceau (a) pendant 3 secondes pour engager le mode Pulse. Vous pouvez constater visuellement que l'intensité du faisceau est légèrement réduite.
4. Allumez le détecteur et cherchez le faisceau laser.
5. Vous pouvez sélectionner un autre faisceau en appuyant brièvement sur le bouton de sélection de faisceau (a), en mode Pulse.
6. Pour désengager le mode Pulse, appuyez sur le bouton de mode Pulse (c) et l'indicateur de mode Pulse (d) s'éteindra.

ENTRETIEN

Afin de garantir la précision de votre projet, vérifiez l'exactitude de votre niveau laser en utilisant les procédures d'étalonnage sur le terrain.

- Changez les piles lorsque l'intensité des faisceaux laser faiblit.
- Nettoyez la fenêtre de projection et le boîtier du niveau laser à l'aide d'un chiffon propre et doux. N'utilisez pas de solvants.
- Bien que le niveau laser soit résistant à l'eau et à la poussière, ne le remisez pas en un endroit poussiéreux, une longue exposition étant susceptible d'endommager des pièces mobiles internes.
- Si le niveau laser est exposé à l'eau, essuyez-le avant de le remiser dans son boîtier de transport pour éviter tout risque de corrosion.
- En cas de non-utilisation prolongée de l'appareil, retirez les piles pour éviter tout risque de corrosion.



TEST D'ÉTALONNAGE

Le niveau laser quitte l'usine étalonné. Kapro recommande que le niveau soit vérifié régulièrement, ou lorsque l'appareil subit une chute ou une mauvaise manipulation.

1. Vérifiez la précision verticale de la croix créée par les lignes horizontale (n°5) et latérale.
2. Vérifiez la précision verticale de la croix créée par les lignes longitudinale (n°4) et horizontale.
3. Vérifiez la précision du faisceau vertical frontale.
4. Vérifiez la précision du faisceau vertical latéral.
5. Vérifiez la perpendicularité entre les deux faisceaux verticaux.

1. Vérification de la précision verticale de la croix créée par les lignes latérale (n°5) et horizontale (écart haut/bas)

- 1) Placez le laser sur une table ou au sol entre trois murs **A**, **B** et **C**. La distance entre **A** et **B** doit être d'environ 5 mètres.
- 2) Positionnez le niveau laser à environ 5 m du mur **A** et 2 mètres du mur **C**.
- 3) Déverrouillez le balancier et appuyez deux fois sur le bouton de faisceau (a) pour projeter les trois faisceaux laser.
- 4) Projetez les lignes croisées du faisceau horizontal et du faisceau vertical latéral (n°5) sur le mur **A**.
- 5) Sur le mur **A**, marquez l'intersection des faisceaux comme **a1**, et sur le mur **C**, marquez le centre de la croix comme **c1** (voir illustration 1).

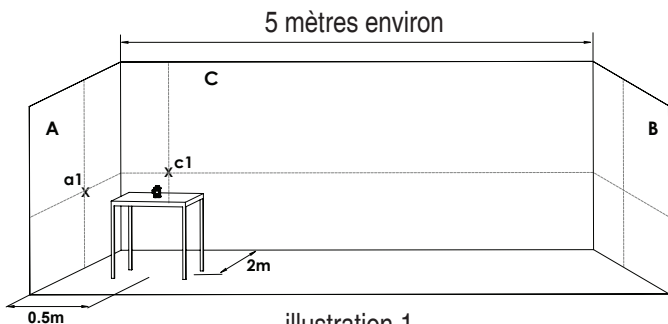


illustration 1

- 6) Tournez le laser de 180° vers le mur **B**. Repositionnez-le et vérifiez que les deux lignes verticales passent par les points **a1** et **c1**.
- 7) Marquez comme point **b1** le croisement des lignes sur le mur **B**. (voir illustration 2).

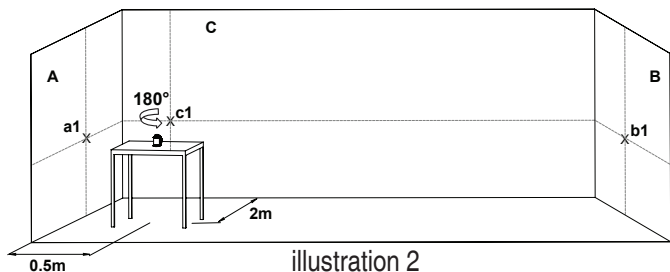
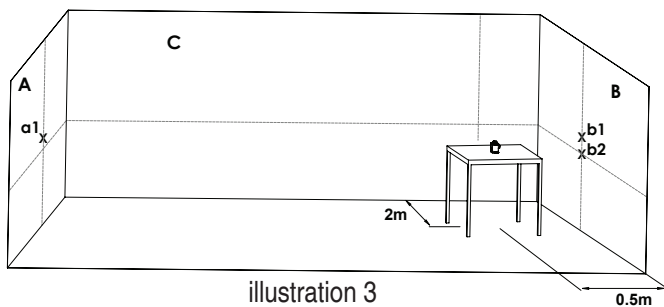
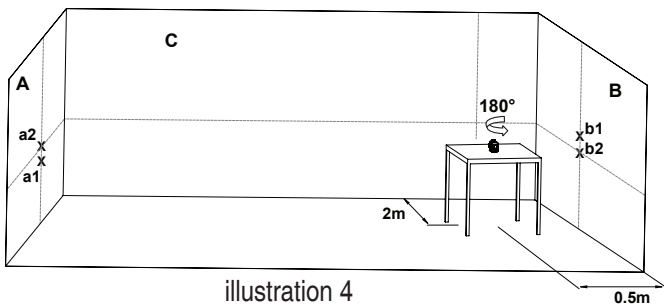


illustration 2

- 8) Sans tourner le niveau laser. Verrouillez le balancier et orientez le niveau laser en direction du mur **B**, à environ 0.5 m du mur.
- 9) Déverrouillez le balancier et appuyez deux fois sur le bouton de faisceau (a) pour projeter les trois faisceaux laser.
- 10) Vérifiez que la ligne verticale passe par **a1** et **b1**.
- 11) Sur le mur **B**, marquez comme point **b2** le croisement des lignes. (voir illustration 3).



- 12) Tournez le laser de 180°. Repositionnez le laser et vérifiez que les deux lignes verticales passent par **b2** et **a1**.
- 13) Sur le mur **A**, marquez la position du croisement des lignes comme point **a2** (voir illustration 4).



14) Mesurez les distances :

$$\Delta a = |a2 - a1|$$

$$\Delta b = |b1 - b2|$$

15) La différence ($\Delta a - \Delta b$) doit être inférieure à 3 mm.

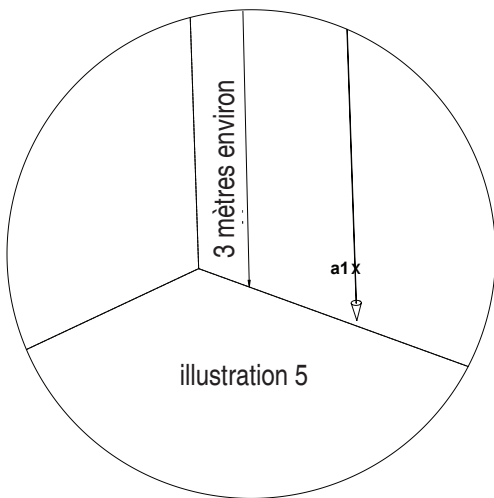
Dans le cas contraire, le niveau laser doit être examiné par un technicien agréé.

2. Vérification de la précision verticale de la croix créée par les lignes longitudinale (n°4) et horizontale. (écart haut/bas)

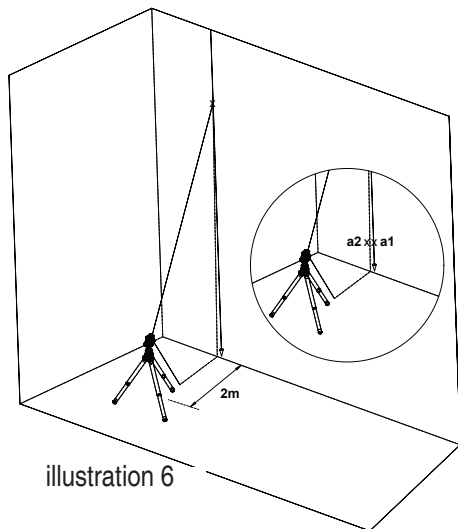
- 1) Placez le laser sur une table ou au sol entre trois murs **A**, **B** et **C**. La distance entre **A** et **B** doit être d'environ 5 mètres.
- 2) Positionnez le niveau laser à environ 5 m du mur **A** et 2 mètres du mur **C**.
- 3) Déverrouillez le balancier et appuyez deux fois sur le bouton de faisceau (a) projeter les trois faisceaux laser.
- 4) Projetez les lignes croisées du faisceau horizontal et du faisceau vertical frontal (n°4) sur le mur **A**.
- 5) Répétez les opérations 5 à 15 du paragraphe précédent.

3. Vérification de la précision du faisceau vertical frontal (n°4)

- 1) Suspendez à un mur un fil à plomb d'environ 3 mètres.
- 2) Une fois le fil à plomb en équilibre, marquez le point a1 sur le mur derrière le fil à plomb, à côté du plomb (voir illustration 5).



- 3) Placez le laser sur un trépied ou une surface solide, face au mur, à une distance d'environ 2 mètres.
- 4) Déverrouillez le balancier et appuyez sur le bouton pour projeter le faisceau vertical frontal (n°4) en direction du fil à plomb.
- 5) Tournez le laser afin que le faisceau vertical se superpose avec la ligne d'aplomb sous le point de suspension.
- 6) Sur le mur, marquez le point **a2** au milieu de la ligne verticale et à la même hauteur que **a1**. (voir illustration 6).



7) La distance entre **a1** et **a2** doit être inférieure à 1mm. Dans le cas contraire, le niveau laser doit être examiné par un technicien agréé.

4. Vérification de la précision du faisceau vertical latéral (n°5)

Pour le second faisceau vertical, répétez les opérations de marquage 1 à 7 du précédent paragraphe.

5. Vérification de l'orthogonalité entre les deux faisceaux verticaux

Pour cette opération, il est nécessaire de disposer d'une pièce d'au moins 5 m x 5 m avec 3 murs.

- 1) Placez le laser sur une table ou sur le sol au milieu de la pièce.
- 2) Déverrouillez le balancier et appuyez deux fois sur le bouton de faisceau (a) projeter les faisceaux verticaux frontal et latéral.
- 3) Marquez le centre du faisceau vertical latéral en 3 endroits,
 - point **a1** sur le mur **A** gauche, au milieu du faisceau vertical
 - point **b1** sur le mur **B** droit, au milieu du faisceau vertical
 - point **c1** sur la table, au milieu des lignes croisées des deux faisceaux verticaux
- 4) Marquez le point **c2** sur le mur frontal **C**, au milieu de la ligne verticale (voir illustration 7).

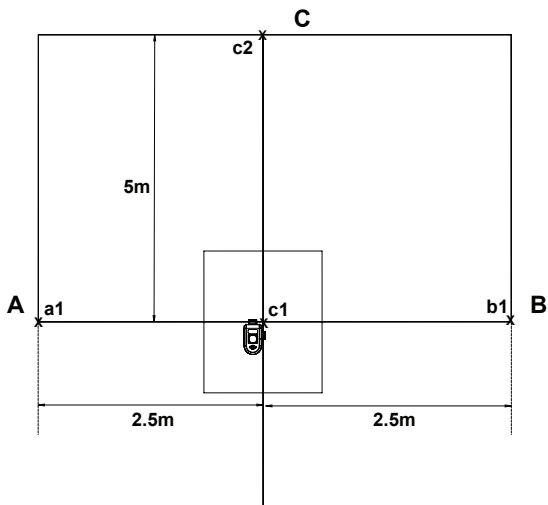


illustration 7

- 5) Tournez le laser de 90° dans le sens antihoraire afin que les faisceaux croisés passent par **c1** sur la table, et que le faisceau laser avant passe par les marques **a1** et **b1** sur les murs **A** et **B**.
- 6) Sur le mur **C**, marquez le centre du faisceau vertical latéral comme point **c3**, à la même hauteur que le point **c2** (voir illustration 8).

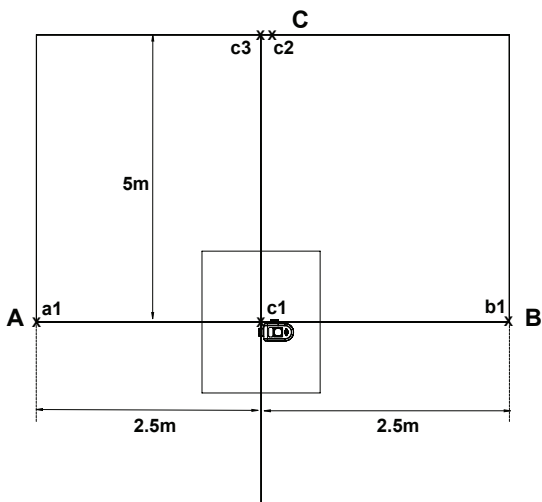


illustration 8

- 7) La distance entre **c2** et **c3** doit être inférieure à 1,5mm. Dans le cas contraire, le niveau laser doit être examiné par un technicien agréé.



CARACTÉRISTIQUES

Caractéristiques des faisceaux laser	Horizontal 360° Vertical latéral 360° Vertical les deux 360° Horizontal et verticaux tous 360°
Portée laser	<ul style="list-style-type: none">• Intérieur : 30 m (100ft) avec lunettes• Avec détecteur : 70m (230ft)
Précision	$\pm 0.2\text{mm/m}$ ($\pm 0.0002\text{in/in}$)
Plage d'auto-nivellement	$\pm 2.5^\circ$
Largeur de ligne laser	2 mm \pm 0,5 mm à 5 m (0,10" (\pm 0,02") à 20')
Longueur d'onde	515-525nm - Laser de classe 2
Alimentation	2600mAh Li-Ion pile 7.4V ou 4 piles alcalines AA
Autonomie	Jusqu'a 8 heures de fonctionnement continu avec la pile Lithium
Température de fonctionnement	-10° C + 50° C (14°F +122°F)
Température d'entreposage	-20° C +60° C (-4°F +140°F)
Résistance à l'eau et à la poussière	IP65
Dimensions	150mm x 90mm x 130mm (5.9" x 3.6" x 5.1")
Poids avec piles	750g \pm 10g (26.5oz \pm 0.35oz)

GARANTIE

Ce produit est couvert par une garantie limitée de trois ans contre tout défaut matériel et de fabrication.

Cette garantie ne couvre pas les produits utilisés de façon inappropriée, modifiés ou réparés sans le consentement de Kapro.

En cas de problème avec votre niveau laser, veuillez ramener le produit au lieu d'achat avec la preuve d'achat.

Modèle n° 883HG/883BG

L'étiquette de numéro de série se trouve à l'intérieur du compartiment à piles.

CERTIFICAT DE CONFORMITÉ CE

Ce produit est conforme aux normes de compatibilité électromagnétique (CEM) établi par la directive européenne 2014/30/EU et le règlement pour basse tension 2014/35/EU.

DÉCLARATION DE CONFORMITÉ CE

Nous déclarons sous notre responsabilité que le produit: 883HG/BG est conforme aux exigences et réglementations suivantes :

2014/30/EU

2011/65/EU

EN60825-1: 2014

EN61326-1: 2013



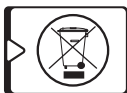
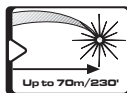
RU

Компания Капро благодарит вас за выбор 883HG/BG Prolaser® 3D All-Lines GREEN. Теперь вам принадлежит один из самых передовых из существующих лазерных инструментов. Это руководство поможет вам эксплуатировать инструмент с максимальной эффективностью.

ОБЛАСТИ ПРИМЕНЕНИЯ

883HG/BG Prolaser® 3D All-Lines GREEN - инновационный уровень с тремя зелёными лазерными диодами, который проецирует 3 круговые (360°) линии. Он позволяет выполнять самые различные профессиональные и любительские работы, в том числе:

- Установка подвесных шкафов и полок.
- Облицовка полов и стен плиткой
- Монтаж гипсокартонных стен / перегородок и подвесных потолков
- Установка окон и дверей
- Расположение электрических и сантехнических коммуникаций а также стоек и опор.
- Точная разметка под прямым углом для напольных покрытий, заборов, ворот, настилов и навесов.
- Наклонная разметка для лестниц, балок, крыш и т.д. (в ручном режиме)



ПРИМЕЧАНИЕ Сохраните это руководство
для последующего использования.

СОДЕРЖАНИЕ

• Функции	76
• Техника безопасности	77-78
• Установка батарей и безопасность	79-80
• Общий вид	81
• Инструкция по эксплуатации	82-84
• Обслуживание	85
• Полевая проверка калибровки	86-95
• Технические характеристики	96
• Гарантия	97



ФУНКЦИИ

- Этот лазерный прибор автоматически выравнивается по горизонтальной и вертикальной плоскостям.
- Лазерный уровень проецирует 1 горизонтальную и 2 взаимно перпендикулярные вертикальные круговые (360°) линии с пересечениями на 4-х стенах, на полу и на потолке.
- Автоматическое самовыравнивание в пределах диапазона самовыравнивания ($\pm 2.5^\circ$).
- Визуальное предупреждение (мигание лучей) для положения вне диапазона самовыравнивания.
- В импульсном режиме проецирует лазерные лучи которые могут быть обнаружены детектором.
- Максимальная рабочая дальность лазера в помещении - 30 м (100') при использовании красных очков.
- Максимальная рабочая дальность лазера в импульсном режиме - 70м (230').
- Ручной режим для разметки под наклоном.
- Защита от влаги и пыли уровня IP65
- Механизм блокировки для защиты маятника во время транспортировки.
- Резьба под штатив 1/4" и 5/8"
- Ударопрочный обрезиненый корпус.
- Батарейный отсек позволяет питание от 4-х обычных батареек формата AA.
- Зарядное устройство.

ПРЕДУПРЕЖДЕНИЕ

Этот прибор содержит точные детали чувствительные к ударам, сотрясениям или падениям, которые могут нарушить его функциональность - обращайтесь с осторожностью для сохранения точности устройства.

ТЕХНИКА БЕЗОПАСНОСТИ

ПРЕДУПРЕЖДЕНИЕ

Этот прибор является источником излучения, которое относится к Классу II в соответствии со стандартом EN 60825 -1

Лазерное излучение может привести к серьезным повреждениям глаз



- Не допускайте попадания лазерного луча в глаза
- Не устанавливайте лазерный уровень так, чтобы он мог непреднамеренно ослеплять вас или других людей.
- Не используйте лазерный уровень вблизи детей и не позволяйте детям использовать лазерный уровень.
- Не допускайте попадания лазерного луча в глаза через увеличительные оптические устройства, такие как бинокль или телескоп, так как это повышает степень повреждения глаз.

⚠ ПРЕДУПРЕЖДЕНИЕ: Этот прибор содержит свинец в припое, также некоторые электрические части содержат химические вещества, которые известны в штате Калифорния как вызывающие рак, дефекты у новорождённых или другие нарушения репродуктивной функции.
(Кодекс Здоровья и Безопасности штата Калифорния, Раздел 25249.6 положение 65)

ЗАМЕТКА

Зелёные очки предназначены для повышения видимость лазерного луча. Они не защитят ваши глаза от лазерного излучения.

- Не удаляйте и не искажайте предупреждающие надписи на лазерном уровне.
- Не разбирайте лазерный уровень, лазерное излучение может привести к серьезным повреждениям глаз.
- Не роняйте лазерный уровень.
- Не используйте растворители для очистки лазерного уровня.
- Не используйте при температуре ниже -10°C или выше 50°C
- Не используйте лазер во взрывоопасных средах, таких как легковоспламеняющиеся жидкости, газы или пыль. Искра от прибора может вызвать возгорание.
- Когда устройство не используется, выключите питание, включите блокировку маятника и поместить устройство в чехол для переноски.
- Перед транспортировкой устройства убедитесь в том, что маятник заблокирован.

ЗАМЕТКА

Транспортировка без блокировки маятника может привести к внутренним механическим повреждениям устройства.

УСТАНОВКА БАТАРЕЙ И БЕЗОПАСНОСТЬ

883HG/BG Prolaser® 3D All-Lines GREEN предлагает 2 варианта электро-питания:

литий-ионная аккумуляторная батарея или 4 щелочные батареи типа AA (держатель в комплекте).

Установка:

1. Отожмите защелку крышки батарейного отсека.
2. Вставьте литий-ионный аккумулятор или держатель с 4-мя щелочными батарейками типа AA контактами вперед, в соответствии с формой батарейного отсека.
3. Закройте крышку батарейного отсека.



Щелочные батареи

Держатель

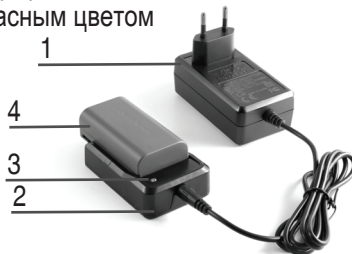


Литий-ионный аккумулятор

Зарядите литий-ионный аккумулятор, или используйте новые щелочные батарейки AA, если индикатор заряда батареи (b) начинает мигать.

ПРИМЕЧАНИЕ: При подключении зарядного устройства с переходником к электро-сети без батареи индикатор на переходнике будет гореть зелёным с мигающей красной точкой. Во время зарядки аккумулятора индикатор на переходнике будет гореть красным цветом и переменится на зелёный когда аккумулятор будет полностью заряжен.

1. Зарядное устройство
2. Переходник
3. Светодиодный индикатор
4. Аккумулятор



ПРЕДУПРЕЖДЕНИЕ: Батареи могут портиться, протекать или вздуться, что может привести к травмам или пожару.

1. Не закорачивайте клеммы батарей.
2. Не заряжайте щелочные батареи не предназначенные для повторной зарядки.
3. Не следует смешивать старые и новые батареи.
4. Не выбрасывайте батареи с бытовым мусором.
5. Не бросайте батареи в огонь.
6. Поврежденные или разряженные батареи должны быть утилизированы в соответствии с местными правилами.
7. Храните батареи в недоступном для детей месте.

ОБЩИЙ ВИД

1. Выключатель
2. Панель управления
 - a. Выбор луча / ручной режим
 - b. Индикатор луча / заряда аккумулятора
 - c. Кнопка импульсного режима
 - d. Индикатор импульсного режима
3. Окно горизонтального лазера
4. Окно переднего вертикального лазера
5. Окно бокового вертикального лазера
6. Крышка батарейного отсека
7. Резьба под штатив 1/4"
8. Крепление штатива 5/8"





ИНСТРУКЦИЯ ПО ЭКСПЛУАТАЦИИ

Работа в автоматическом режиме (самовыравнивание):

В автоматическом режиме лазерный уровень самовыравнивается в диапазоне $\pm 2.5^\circ$ и может проецировать одну горизонтальную или одну/две вертикальные круговые линии или все три линии одновременно.

1. Извлеките лазер из чехла и поместите его на твердую плоскую поверхность, свободную от вибраций или на штатив.
2. Переведите выключатель # 1 в положение **ON**, лазерный уровень начнёт проецировать горизонтальную круговую (360°) лазерную линию. Включится индикатор луча (b).
3. При нажатии на кнопку Выбор луча (a) вместо горизонтального включится боковой вертикальный лазер.
4. Следующее нажатие на кнопку Выбор луча (a) включает передний вертикальный лазер в дополнение к боковому.
5. Следующее нажатие на кнопку Выбор луча (a) включает горизонтальный лазер в дополнение к вертикальным.
6. Следующее нажатие на кнопку Выбор луча (a) выключит вертикальные лазеры.
7. Если прибор установлен под углом более $\pm 2.5^\circ$ при включённом автоматическом режиме работы, лазерные линии будут мигать. В таком случае установите прибор на более ровную поверхность.
8. Перед перемещением лазерного уровня переведите выключатель # 1 в положение **OFF**, это активирует блокировку маятника и защитит ваш лазерный уровень.

Работа в ручном режиме:

В ручном режиме механизм самовыравнивания отключен и лазерные линии могут быть установлены под любым требуемым углом.

1. Убедитесь что выключатель # 1 находится в положении **OFF**.
2. Нажмите кнопку Ручной режим (а) и удерживайте её в течение примерно трёх секунд до включения прибора в ручном режиме работы. Лазерный уровень начнёт проецировать горизонтальную лазерную линию, которая будет мигать каждые 3 секунды как напоминание о том, что самовыравнивание не задействовано. Включится индикатор луча (b).
3. Для наклонной разметки установите прибор под нужным углом.
4. Для выбора другой лазерной линии нажмите на кнопку Выбор луча (а) - первое нажатие включит боковой вертикальный лазер вместо горизонтального.
5. Следующее нажатие на кнопку Выбор луча (а) включает передний вертикальный лазер в дополнение к боковому.
6. Следующее нажатие на кнопку Выбор луча (а) включает горизонтальный лазер в дополнение к вертикальным.
7. При следующем нажатии на кнопку Выбор луча (а) все лазеры выключатся и индикатор луча (b) погаснет.
8. Если во время работы в ручном режиме перевести выключатель # 1 из положения **ON** в положение **OFF**, будет активирован автоматический режим работы и прибор начнёт самовыравниваться (при условии положения уровня в пределах диапазона самовыравнивания).

Работа в импульсном режиме с детектором:

Для наружных работ под прямым солнечным светом или в условиях яркого освещения а также для увеличения рабочей дистанции в помещении до 70 метров, используйте импульсный режим с детектором.

При активированном импульсном режиме проецируемые лазерные линии мигают с очень высокой частотой (неуловимой для человеческого глаза), что позволяет обнаруживать их с помощью детектора.

1. Импульсный режим может быть активирован как в автоматическом, так и в ручном режиме работы.
2. Включите прибор в нужном режиме.
3. Для включения импульсного режима нажмите кнопку импульсного режима (c). Загорится индикатор импульсного режима (d) и яркость лазерной линии несколько уменьшится.
4. Включите детектор и приступите к поиску лазерной линии.
5. Вы можете выбрать требуемые линии нажатиями на кнопку Выбор луча (a).
6. Для выключения импульсного режима нажмите импульсного режима (c). Индикатор импульсного режима (d) погаснет и яркость лазерной линии увеличится.

ОБСЛУЖИВАНИЕ

Для сохранения точности в работе регулярно проверяйте калибровку вашего лазерного уровня в соответствии с процедурой проверки калибровки в полевых условиях.

- Зарядите литий-ионный аккумулятор или замените батарейки если индикатор заряда батареи (b) начнет мигать и/или лазерные лучи начинают тускнеть.
- Очищайте окошки лазеров и корпус уровня только чистой мягкой тканью. Не используйте растворители.
- Хотя лазерный уровень в некоторой степени защищён от пыли и грязи, не храните его в запыленных местах, долгосрочное загрязнение может привести к повреждению внутренних подвижных частей.
- Если на лазерный уровень попала вода, высушите его полностью перед возвращением в футляр чтобы предотвратить коррозию.
- Извлеките батарейки, если лазерный уровень не используется в течение длительного периода времени, чтобы предотвратить коррозионные повреждения в случае протечки батареек.



ПОЛЕВАЯ ПРОВЕРКА КАЛИБРОВКИ

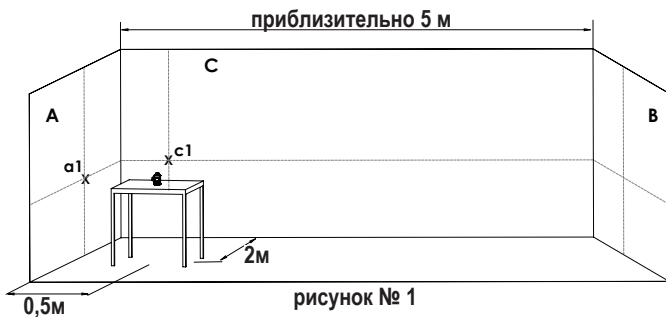
Завод-изготовитель поставляет лазерные уровни в полностью откалиброванном виде. Компания Карго рекомендует проверять уровень на регулярной основе, а также после каждого падения или нарушения правил эксплуатации инструмента.

1. Проверьте точность расположения точки пересечения горизонтальной линии с боковой вертикальной линией по высоте.
2. Проверьте точность расположения точки пересечения горизонтальной линии с передней вертикальной линией по высоте.
3. Проверьте точность выравнивания передней вертикальной линии.
4. Проверьте точность выравнивания боковой вертикальной линии.
5. Проверьте точность прямого угла между вертикальными линиями.

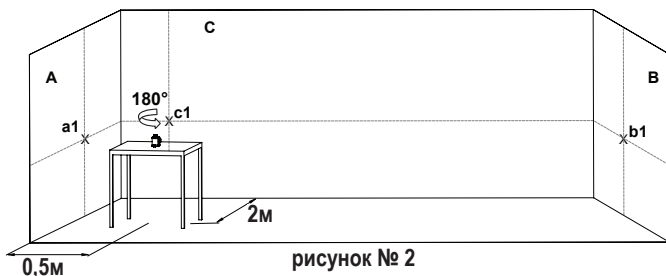
1. Проверка точности расположения по высоте точки пересечения горизонтальной линии с боковой вертикальной линией.

- 1) Установите прибор на столе или на полу между тремя стенами - **А**, **В** и **С**. Расстояние между стенами **А** и **В** должны быть приблизительно 5 метров.
- 2) Установите лазерный уровень приблизительно в 0,5 м от стены **А** и в двух метрах от стены **С**.

- 3) Разблокируйте маятник и нажатиями на кнопку Выбор луча (а) выберите проекцию всех трёх лазерных линий.
- 4) Направьте точку пересечения горизонтальной и боковой вертикальной линий на стену **A**.
- 5) Отметьте на стене **A** точку пересечения линий как **a1**, на стене **C** отметьте точку пересечения горизонтальной и передней вертикальной линий как **c1** (см. рис. № 1).



- 6) Разверните прибор на 180° по направлению к стене **В**. Установите прибор так, чтобы 2 вертикальные линии проходили через точки **a1** и **c1**.
- 7) Отметьте на стене **В** точку пересечения линий как **b1** (См. рис. № 2).



- 8) Не разворачивая прибор, заблокируйте маятник, перенесите лазерный уровень к стене **В** и установите его примерно в 0,5 метра от стены **В**.
- 9) Разблокируйте маятник и нажатиями на кнопку Выбор луча (а) выберите проекцию всех трёх лазерных линий.
- 10) Убедитесь в том, что вертикальная линия проходит через точки **a1** и **b1**.
- 11) Отметьте на стене **В** точку пересечения линий как **b2** (См. рис. №3).

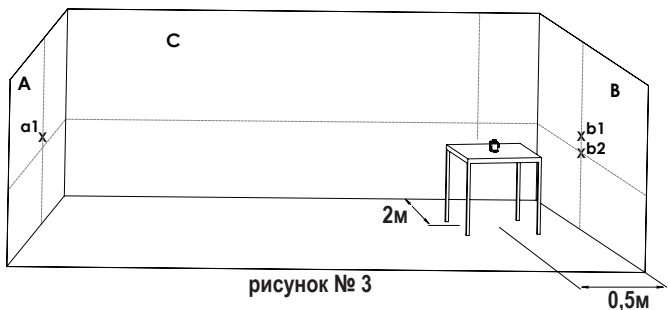


рисунок № 3

0,5м

- 12) Разверните прибор на 180°. Переставьте лазер так, чтобы вертикальная линия проходила через точки **b2** и **a1**.
- 13) Отметьте на стене **A** точку пересечения линий как **a2**. (См. рис. №4).

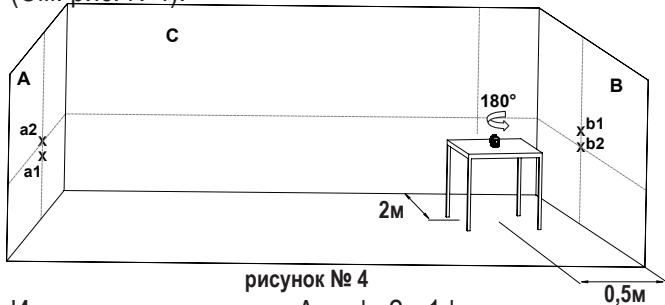


рисунок № 4

0,5м

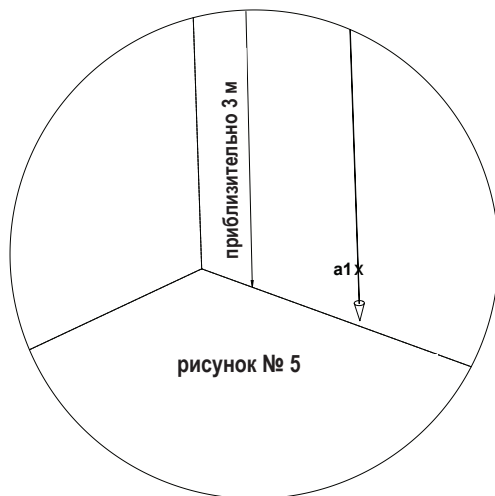
- 14) Измерьте расстояния: $\Delta a = |a2 - a1|$
 $\Delta b = |b1 - b2|$
- 15) Разность $|\Delta a - \Delta b|$ не должна превышать 3 мм, в противном случае отправьте лазерный уровень к квалифицированному специалисту для калибровки.

2. Проверка точности расположения по высоте точки пересечения горизонтальной линии с передней вертикальной линией.

- 1) Установите прибор на столе или на полу между тремя стенами - **А**, **В** и **С**. Расстояние между стенами **А** и **В** должны быть приблизительно 5 метров.
- 2) Установите лазерный уровень приблизительно в 0,5 м от стены **А** и в двух метрах от стены **С**.
- 3) Разблокируйте маятник и нажатиями на кнопку Выбор луча (а) выберите проекцию всех трёх лазерных линий.
- 4) Направьте точку пересечения горизонтальной и передней вертикальной линий на стену **А**.
- 5) Повторите шаги 5 - 15 процедуры проверки из предыдущего раздела.

3. Проверка точности выравнивания передней вертикальной линии.

- 1) Подвесьте отвес длиной приблизительно 3 метра вблизи стены.
- 2) После того, как колебания отвеса улягутся, отметьте точку **а1** на стене по линии отвеса вблизи грузила. (См. рис. №5).



- 3) Установите лазерный уровень на штатив или другую устойчивую поверхность на расстоянии около 2 метров перед стеной.
- 4) Разблокируйте маятник и выберите проекцию переднего вертикального лазера (# 4) по направлению к линии отвеса.
- 5) Поверните прибор так, чтобы вертикальная лазерная линия совпадала с линией отвеса вверху, под точкой крепления.
- 6) Отметьте на стене точку **a2** по лазерной линии на той же высоте, что и **a1**. (См. рис. №6).

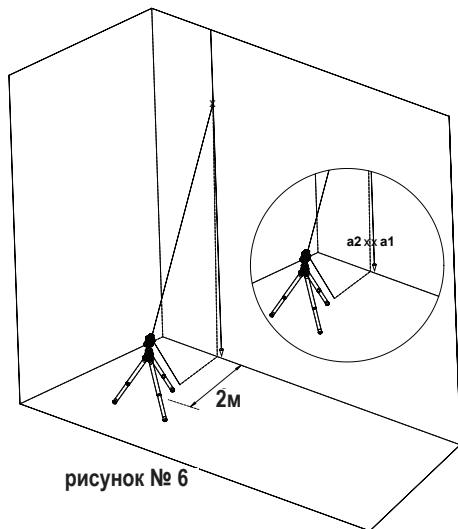


рисунок № 6

7) Расстояние между a_1 и a_2 по горизонтали не должно превышать 1 мм, в противном случае следует послать лазерный уровень к квалифицированному специалисту для ремонта.

4. Проверка точности выравнивания передней вертикальной линии (#5).

Для проверки второй вертикальной линии повторите пункты 1 -7 из предыдущего раздела.

5. Проверка точности прямого угла между вертикальными линиями.

Для этой проверки потребуется помещение размерами по крайней мере 5х5 метров с 3-мя стенами.

- 1) Установите прибор на столе или на полу в середине помещения.
- 2) Разблокируйте маятник и нажатиями на кнопку Выбор луча (а) выберите проекцию двух вертикальных линий.
- 3) Отметьте положение боковой вертикальной линии в 3-х местах;
 - Точка **a1** на левой стене **A**
 - Точка **b1** на правой стене **B**
 - Точка **c1** на столе, в точке пересечения проекций 2-х вертикальных линий.
- 4) Отметьте как точку **c2** на стене **C** положение передней вертикальной линии (см. рис. № 7).

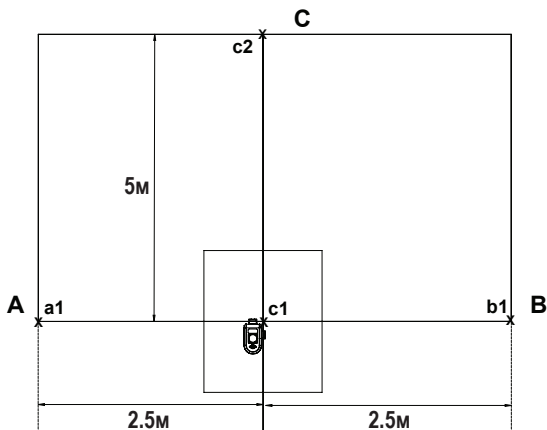


рисунок № 7

- 5) Поверните лазер на 90° против часовой стрелки и совместите точку пересечения проекций вертикальных лазеров с точкой **c1** на столе, проекция переднего вертикального лазера должна проходить через точки **a1** и **b1** на стенах **A** и **B** соответственно.
- 6) Отметьте как точку **c3** на стене **C** положение боковой вертикальной линии (см. рис. №8).

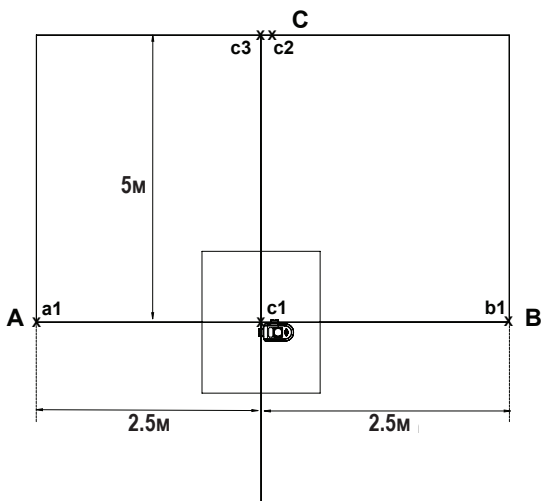


рисунок № 8

- 7) Расстояние по горизонтали между точками **c2** и **c3**, не должно превышать 1,5 мм, в противном случае следует послать лазерный уровень к квалифицированному специалисту для ремонта.



ТЕХНИЧЕСКИЕ ХАРАКТЕРИСТИКИ

Проецируемые лазерные линии	<ul style="list-style-type: none">• Горизонтальная 360°• Боковая вертикальная 360°• Обе вертикальные 360°• Все линии одновременно 360°
Максимальная дальность	<ul style="list-style-type: none">• 30м в помещении• до 70м с детектором
Погрешность	0,2 мм/м (0.0002in/in)
Диапазон самовыравнивания	±2.5°
Ширина лазерного луча	2 мм ±0,5 мм на расстоянии 5 м
Длина волны	515-525 нм Класс лазера: II
Питание	2600mAh литий-ионная батарея 7.4V или 4 батарейки формата AA (входят в комплект)
Автономность	до 8-ми часов непрерывной работы (с Литий-Ионным аккумулятором)
Рабочая температура	-10 °C ÷ 50 °C
Температура хранения	- 20° C ÷ 60° C
Степень защиты от попадания воды и пыли	IP65
Габаритные размеры	15 см x 9 см x 13 см
Масса с батарейками	750 г ±10 г

ГАРАНТИЯ

На изделие распространяется трехлетняя гарантия отсутствия дефектов материалов и изготовления. Нарушения правил эксплуатации, изменения конструкции или самостоятельный ремонт приводят к аннулированию гарантии.

При появлении проблем с приобретенным лазерным уровнем, верните его в место покупки, приложив подтверждение покупки.

Модель: № 883HG/883BG

Наклейка с серийным номером расположена на нижней части изделия.

СЕРТИФИКАТ СООТВЕТСТВИЯ СЕ

Этот продукт соответствует стандартам Электромагнитной Совместимости (СЕМ) установленным Европейской директивой 2014/30/EU и Регламентом для устройств низкого напряжения 2014/35/EU.

ДЕКЛАРАЦИЯ О СООТВЕТСТВИИ

Мы заявляем под нашу ответственность, что устройство 883HG/BG соответствует требованиям следующих директив и правил Европейского

Сообщества:

2014/30/EU

2011/65/EU

EN60825-1: 2014

EN61326-1: 2013



A series of horizontal dotted lines for writing, consisting of 12 lines spaced evenly down the page.



.....

.....

.....

.....

.....

.....

.....

.....

.....

.....

.....





Rev. 1.0

© 2020 Kapro Industries Ltd.