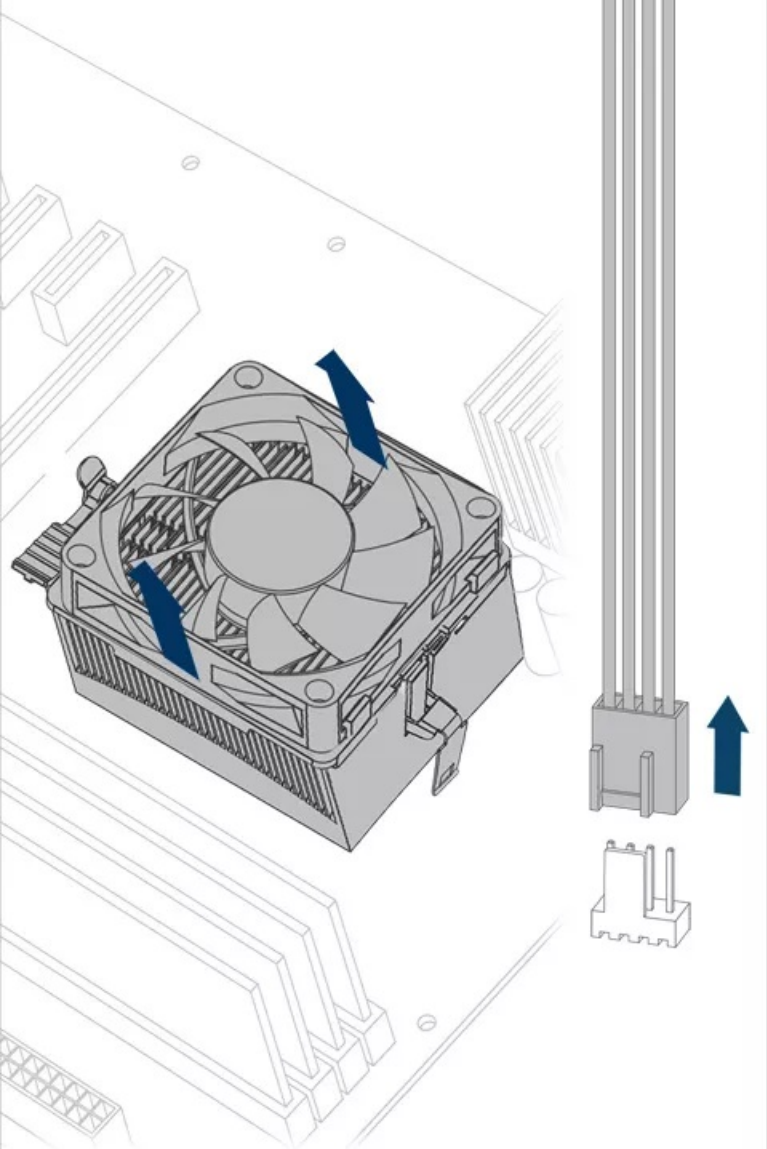
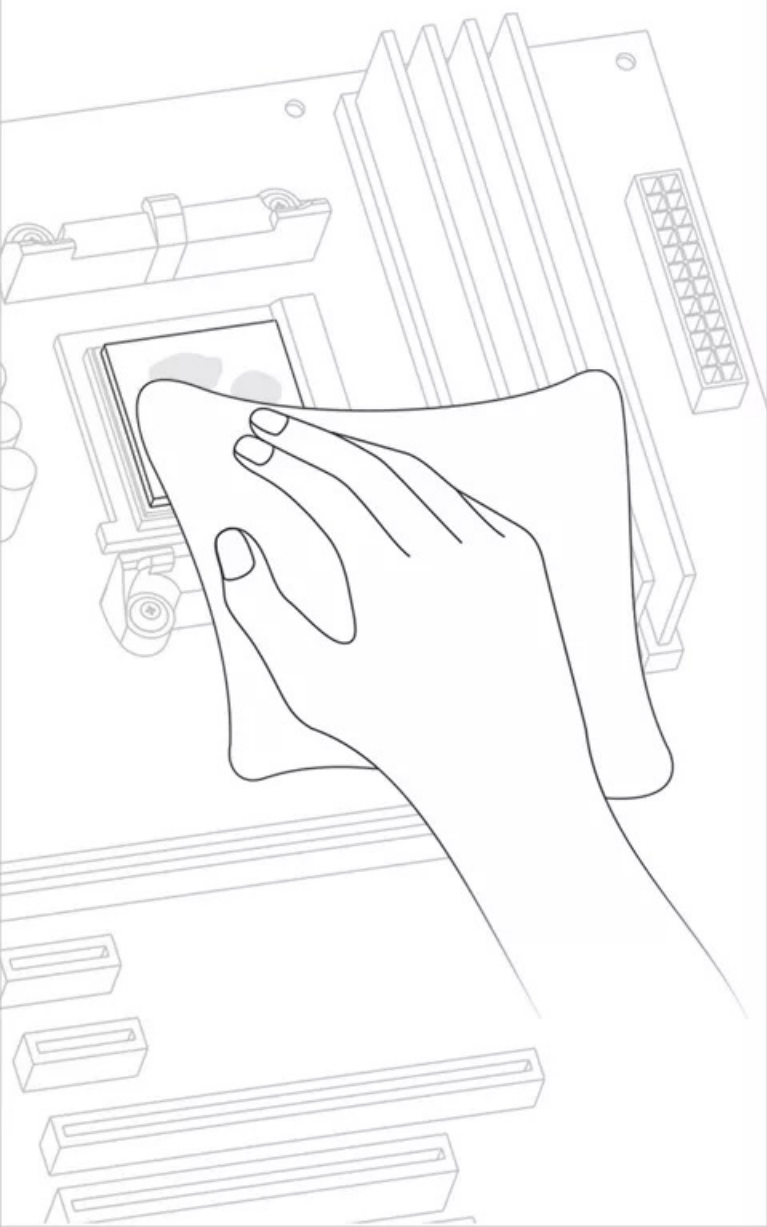


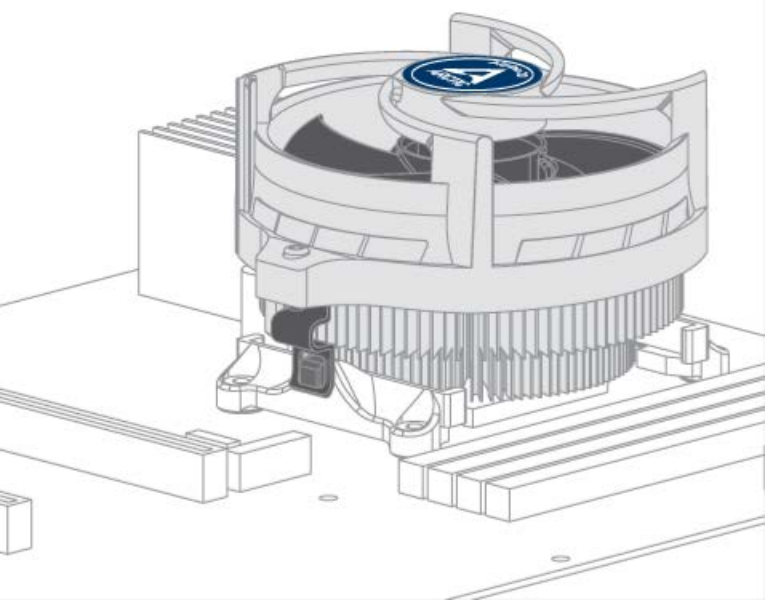
1

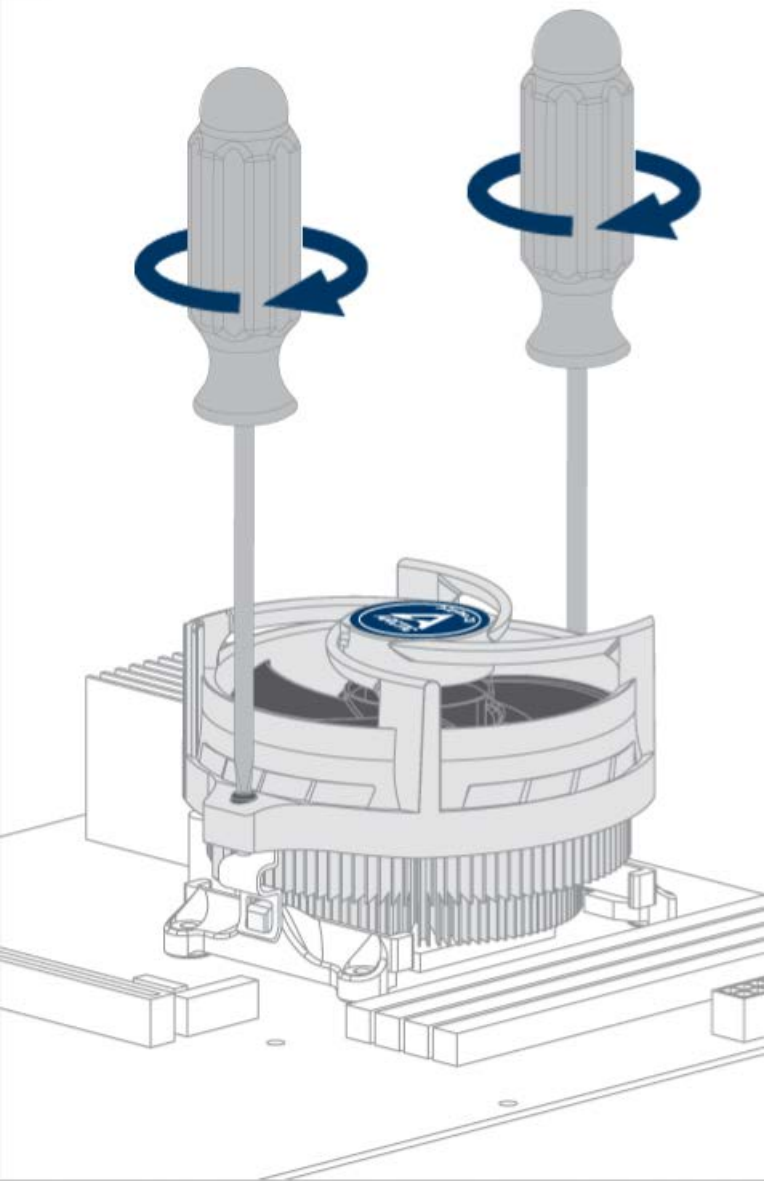


2 Carefully remove the thermal paste residue using lint free cloth.



1

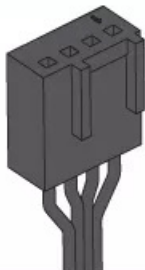






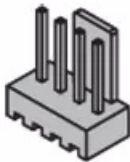
Plugs / Sockets

4-pin Plug



Mainboard

4-pin Socket



Mainboard

3-pin Socket

