

Milwaukee®

Nothing but **HEAVY DUTY**®



K500 S **K545 S**

Original instructions
Originalbetriebsanleitung
Notice originale
Istruzioni originali
Manual original
Oorspronkelijke gebruiksaanwijzing
Original brugsanvisning
Original bruksanvisning
Bruksanvisning i original
Alkuperäiset ohjeet

Πρωτότυπο οδηγιών χρήσης
Orijinal işletme talimatı
Původním návodem k používání
Pôvodný návod na použitie
Instrukcją oryginalną
Eredeti használati utasítás
Izvirna navodila
Originalne pogonske upute
Instrukcijām oriģinālvalodā
Originali instrukcija

Algupärane kasutusjuhend
Оригинальное руководство по эксплуатации
Оригинално ръководство за експлоатация
Instrucțiuni de folosire originale
Оригинален прирачник за работа
Оригінал інструкції з експлуатації
التعليمات الأصلية

K500 S

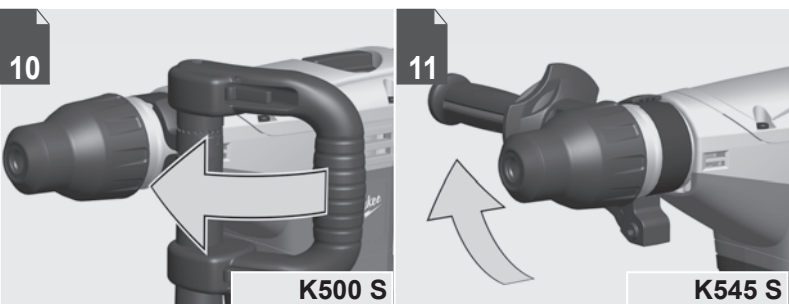
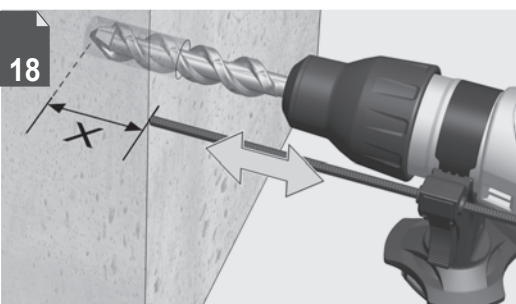
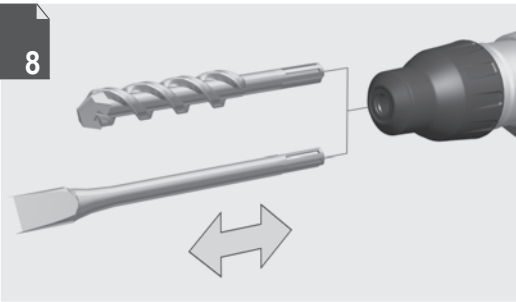
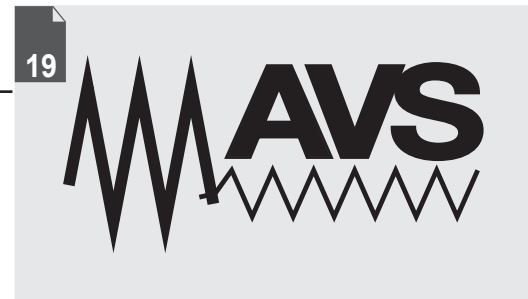
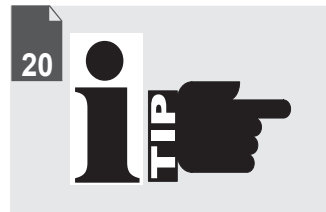
Meißelhammer	Sekacie kladivo
Chipping Hammer	Młot kułacyjny
Burineur	Vésőkalapács
Martelli demolitori	Sekalna kladiva
Martillo Cincelador	Klesací čekić
Martelo Perfurador	Ciršanas āmurs
Hakhamer	Капојимо плактукас
Mejselhammer	Teravhaamer
Meiselhammer	Отбойный молоток
Mejselhammare	Къртач
Piikkausvasara	Ciocan de spart
ΚΡΟΥΣΤΙΚΟ ΠΙΣΤΟΛΕΤΟ	Апарат за длетување
Keski çekici	Відбійний молоток
Sekaci kladiva	عيطقت تخرطم

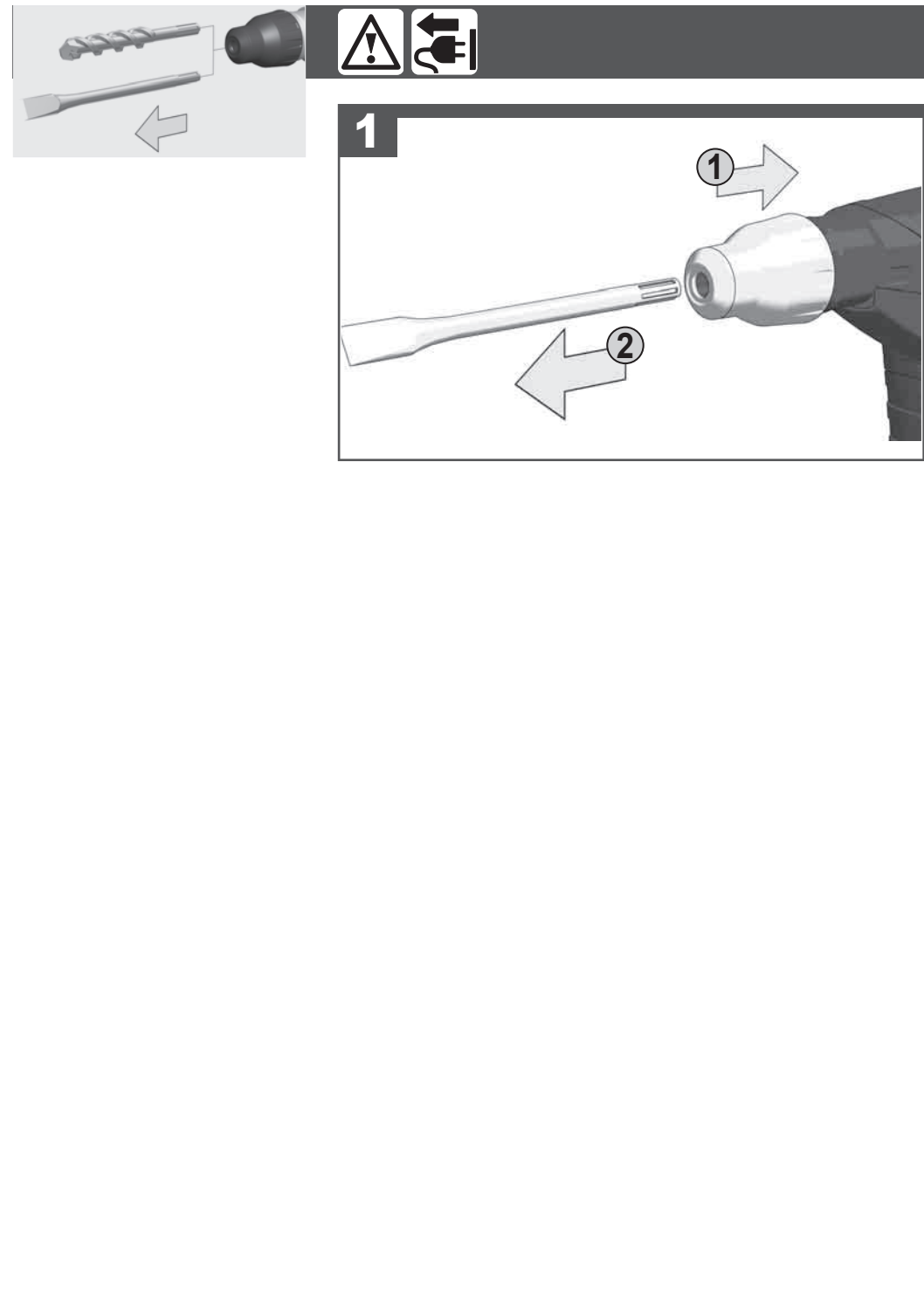
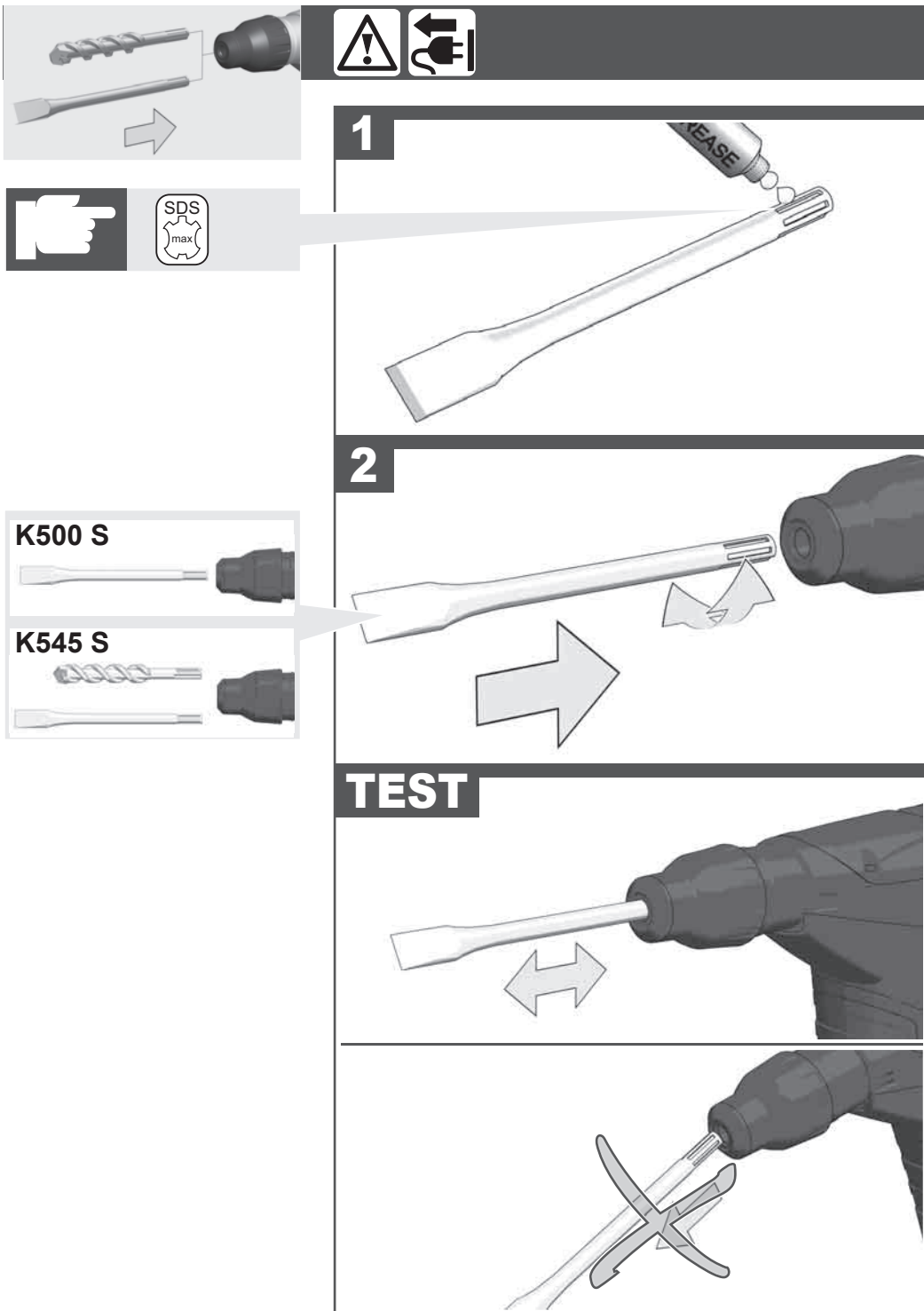
K545 S

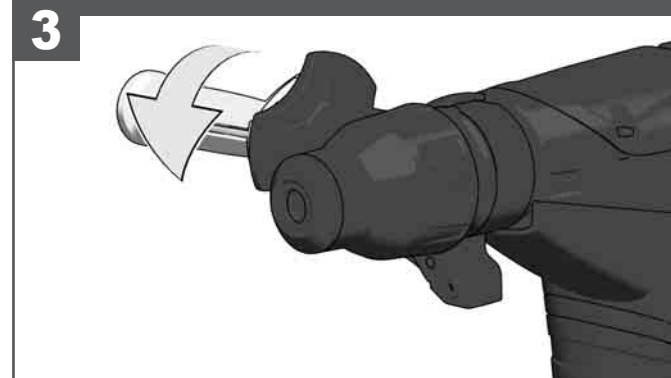
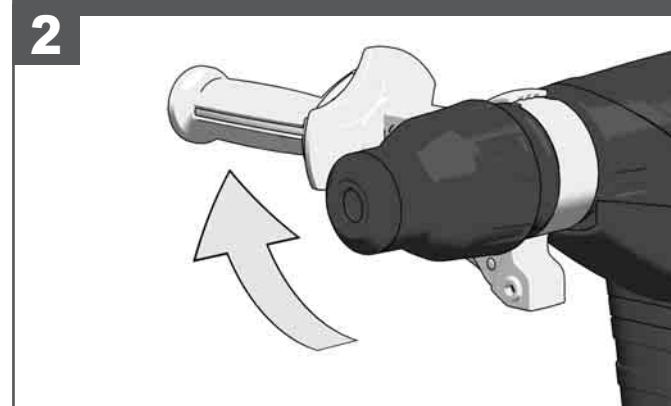
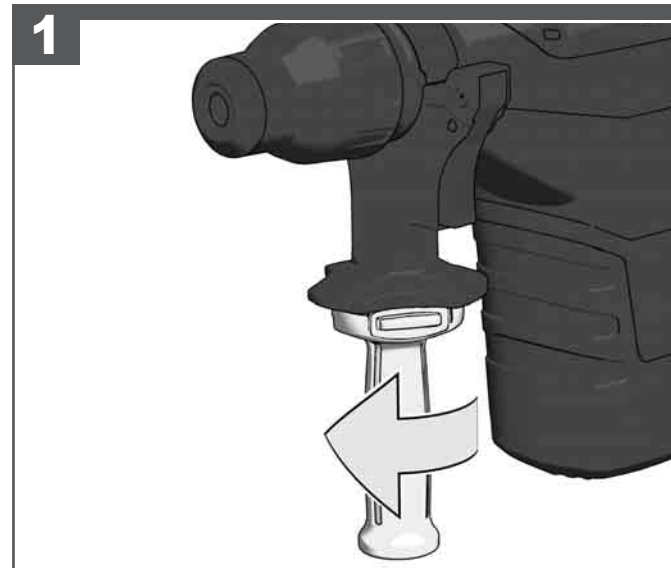
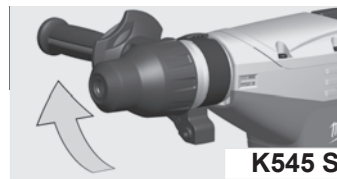
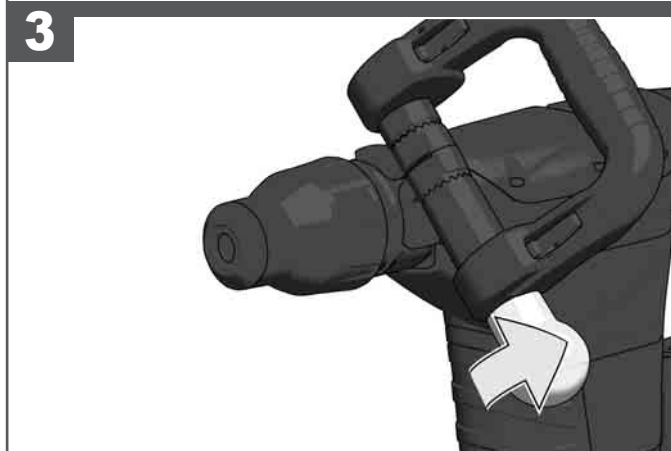
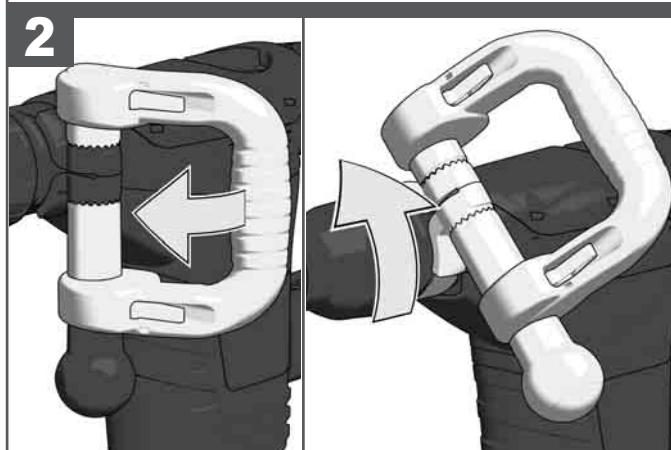
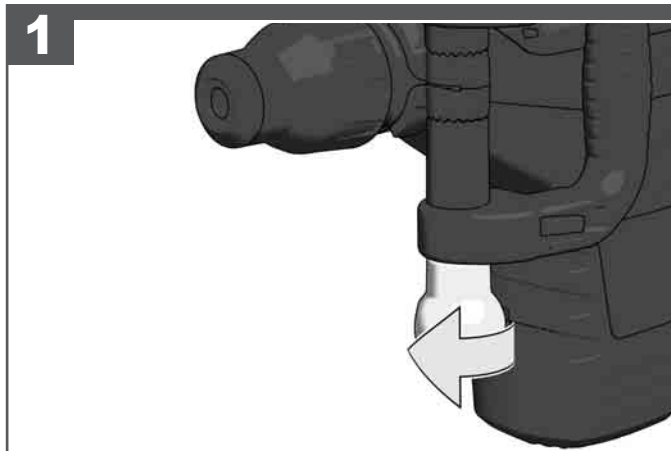
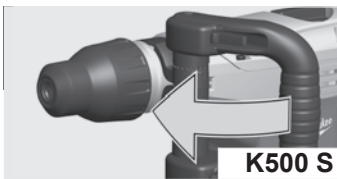
Kombihammer	Kombinované kladivo
Combi Hammer	Młot wielofunkcyjny
Perforateur Burineur	Kombi fűrókalapács
Martelli combinati	Kombinirana kladiva
Martillo Combinado	Kombinirani čekić
Martelo Combinado	Combi āmurs
Combi-hamer	Kombinuotasis plaktukas
Kombihammer	Combi vasar
Kombihammer	3-х режимный перфоратор
Kombihammare	Комбиниран ударник
Yhdistelmävasara	Ciocan combi
ΠΕΡΙΣΤΡΟΦΙΚΟ-ΣΚΑΠΤΙΚΟ ΠΙΣΤΟΛΕΤΟ	Комби-чекан
Kombi çekici	Комбінований перфоратор
Kombinovaná kladiva	تخرطم تاذ رفح تخرطم

ENGLISH		Picture section with operating description and functional description	6
DEUTSCH		Bildteil mit Anwendungs- und Funktionsbeschreibungen	6
FRANÇAIS		Partie imagée avec description des applications et des fonctions	6
ITALIANO		Sezione illustrata con descrizione dell'applicazione e delle funzioni	6
ESPAÑOL		Sección de ilustraciones con descripción de aplicación y descripción funcional	6
PORTUGUES		Parte com imagens explicativas contendo descrição operacional e funcional	6
NEDERLANDS		Beelddedeelte met toepassings- en functiebeschrijvingen	6
DANSK		Billeddel med anvendelses- og funktionsbeskrivelser	6
NORSK		Billeddel med bruks- og funksjonsbeskrivelse	6
SVENSKA		Bilddel med användnings- och funktionsbeskrivning	6
SUOMI		Kuvasivut käyttö- ja toimintakuvaukset	6
ΕΛΛΗΝΙΚΑ		Τμήμα εικόνων με περιγραφές χρήσης και λειτουργίας	6
TÜRKÇE		Resim bölümü Uygulama ve fonksiyon açıklamaları ile birlikte	6
ČESKY		Obrazová část s popisem aplikací a funkcí	6
SLOVENSKY		Obrazová časť s popisom aplikácií a funkcií	6
POLSKI		Część rysunkowa z opisami zastosowania i działania	6
MAGYAR		Képes részalkalmazási- és működési leírásokkal	6
SLOVENSKO		Del slikez opisom uporabe in funkcij	6
HRVATSKI		Dio sa slikama opisima primjene i funkcija	6
LATVISKI		Attēla daļa ar lietošanas un funkciju aprakstiem	6
LIETUVIŠKAI		Paveikslėlio dalis su vartojimo instrukcija ir funkcijų aprašymais	6
EESTI		Pildiosa kasutusjuhendi ja funktsioonide kirjeldusega	6
РУССКИЙ		Раздел иллюстраций с описанием эксплуатации и функций	6
БЪЛГАРСКИ		Част със снимки с описание за приложение и функции	6
ROMÂNIA		Secvența de imagine cu descrierea utilizării și a funcționării	6
МАКЕДОНСКИ		Дел со сликисо описи за употреба и функционирање	6
УКРАЇНСЬКА		Частина з зображеннями з описом робіт та функцій	6
عربي		قسم الصور يوجد به الوصف التشغيلي والوظيفي	6

Text section with Technical Data, important Safety and Working Hints and description of Symbols	22
Textteil mit Technischen Daten, wichtigen Sicherheits- und Arbeitshinweisen und Erklärung der Symbole.	24
Partie textuelle avec les données techniques, les consignes importantes de sécurité et de travail ainsi que l'explication des pictogrammes.	26
Sezione testo con dati tecnici, importanti informazioni sulla sicurezza e sull'utilizzo, spiegazione dei simboli.	28
Sección de texto con datos técnicos, indicaciones importantes de seguridad y trabajo y explicación de los símbolos.	30
Parte com texto explicativo contendo Especificações técnicas, Avisos de segurança e de operação e a Descrição dos símbolos.	32
Tekstgedeelte met technische gegevens, belangrijke veiligheids- en arbeidsinstructies en verklaring van de symbolen.	34
Tekstdel med tekniske data, vigtige sikkerheds- og arbejdsanvisninger og symbolforklaring.	36
Tekstdel med tekniske data, viktige sikkerhets- og arbeidsinstruksjoner og forklaring av symbolene.	38
Textdel med tekniska informationer, viktiga säkerhets- och användningsinstruktioner samt symbolförklaringar.	40
Tekstisivut: tekniset tiedot, tärkeät turvallisuus- ja työskentelyohjeet sekä merkkien selitykset.	42
Τμήμα κειμένου με τεχνικά χαρακτηριστικά, σημαντικές υποδείξεις ασφαλείας και εργασίας και εξήγηση των συμβόλων.	44
Teknik bilgileri, önemli güvenlik ve çalışma açıklamalarını ve de sembollerin açıklamalarını içeren metin bölümü.	46
Textová část s technickými daty, důležitými bezpečnostními a pracovními pokyny a s vysvětlivkami symbolů	48
Textová časť s technickými dátami, dôležitými bezpečnostnými a pracovnými pokynmi a s vysvetlivkami symbolov	50
Część opisowa z danymi technicznymi, ważnymi wskazówkami dotyczącymi bezpieczeństwa i pracy oraz objaśnieniami symboli.	52
Szöveges rész műszaki adatokkal, fontos biztonsági- és munkavégzési útmutatásokkal, valamint a szimbólumok magyarázata.	54
Del besedila s tehničnimi podatki, pomembnimi varnostnimi opozorili in delovnimi navodili in pojasnili simbolov.	56
Dio štiva sa tehničkim podacima, važnim sigurnosnim i radnim uputama i objašnjenjem simbola.	58
Teksta daļa ar tehnikajiem parametriem, svarīgiem drošības un darbības norādījumiem, simbolu atšifrējumiem.	60
Teksto dalis su techniniais duomenimis, svarbiomis saugumo ir darbo instrukcijomis bei simbolių paaiškinimais.	62
Tekstiosa tehniliste näitajate, oluliste ohutus- ja tööjuhenditega ning sümbolite kirjeldustega.	64
Текстовый раздел, включающий технические данные, важные рекомендации по безопасности и эксплуатации, а также описание используемых символов.	66
Част с текст с технически данни, важни указания за безопасност и работа и разяснение на символите.	68
Porțiune de text cu date tehnice, indicații importante privind siguranța și modul de lucru și descrierea simbolurilor.	70
Tekstuален дел со Технички карактеристики, важни безбедносни и работни упатства и објаснување на симболите.	72
Текстова частина з техничними даними, важливими вказівками з техніки безпеки та експлуатації і поясненням символів.	74
القسم النصي المزود بالبيانات الفنية والنصائح الهامة للسلامة والعمل ووصف الرموز	79









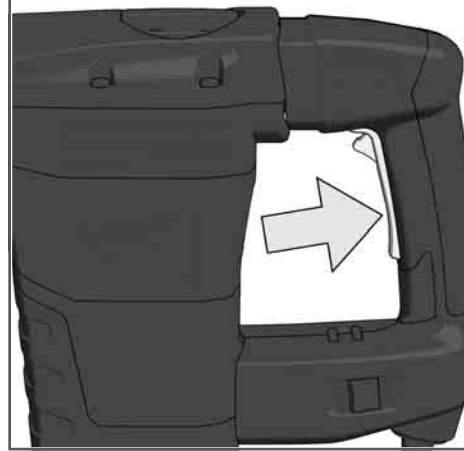
START

STOP



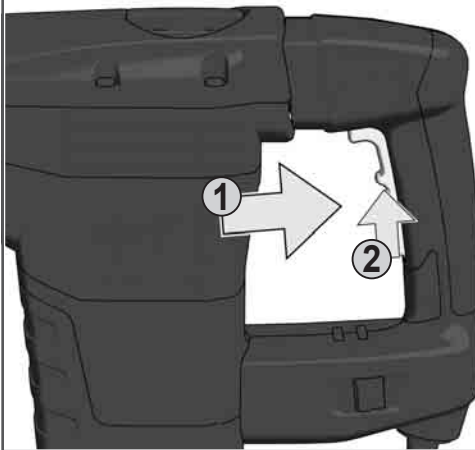
START

STOP



START/LOCK

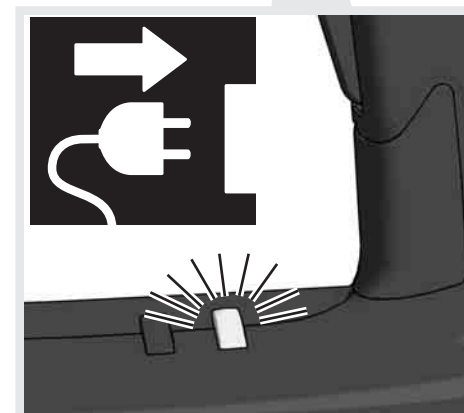
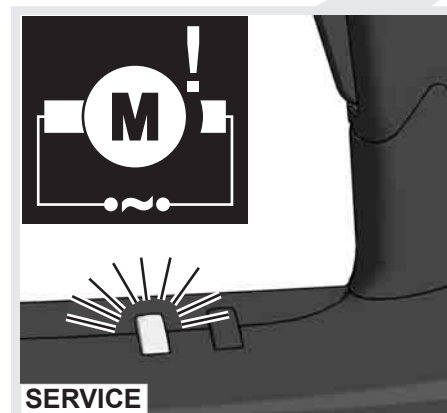
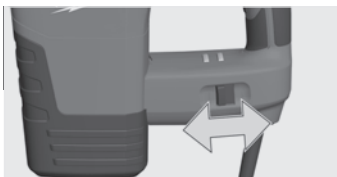
STOP

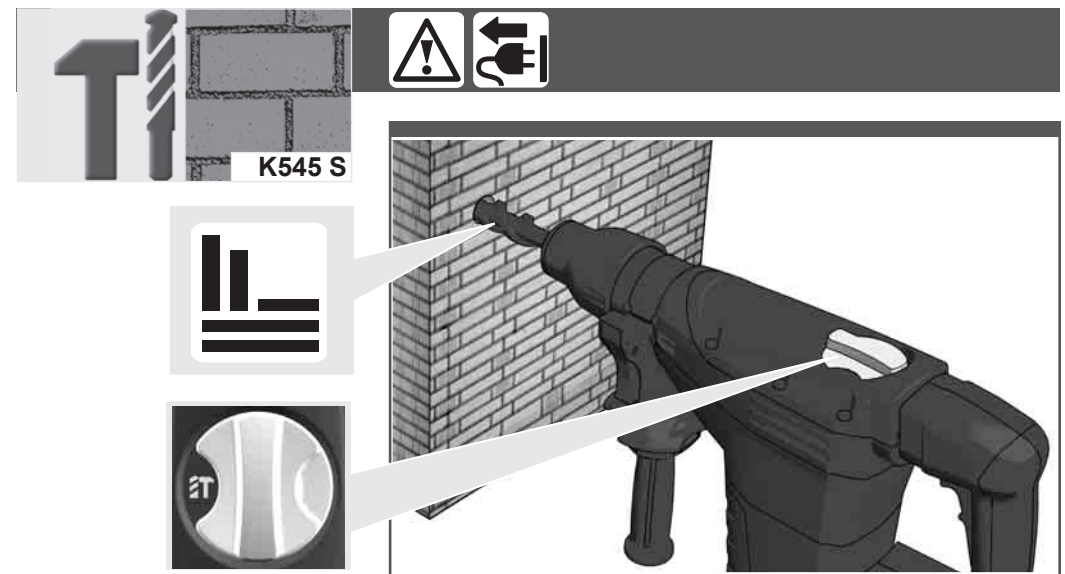
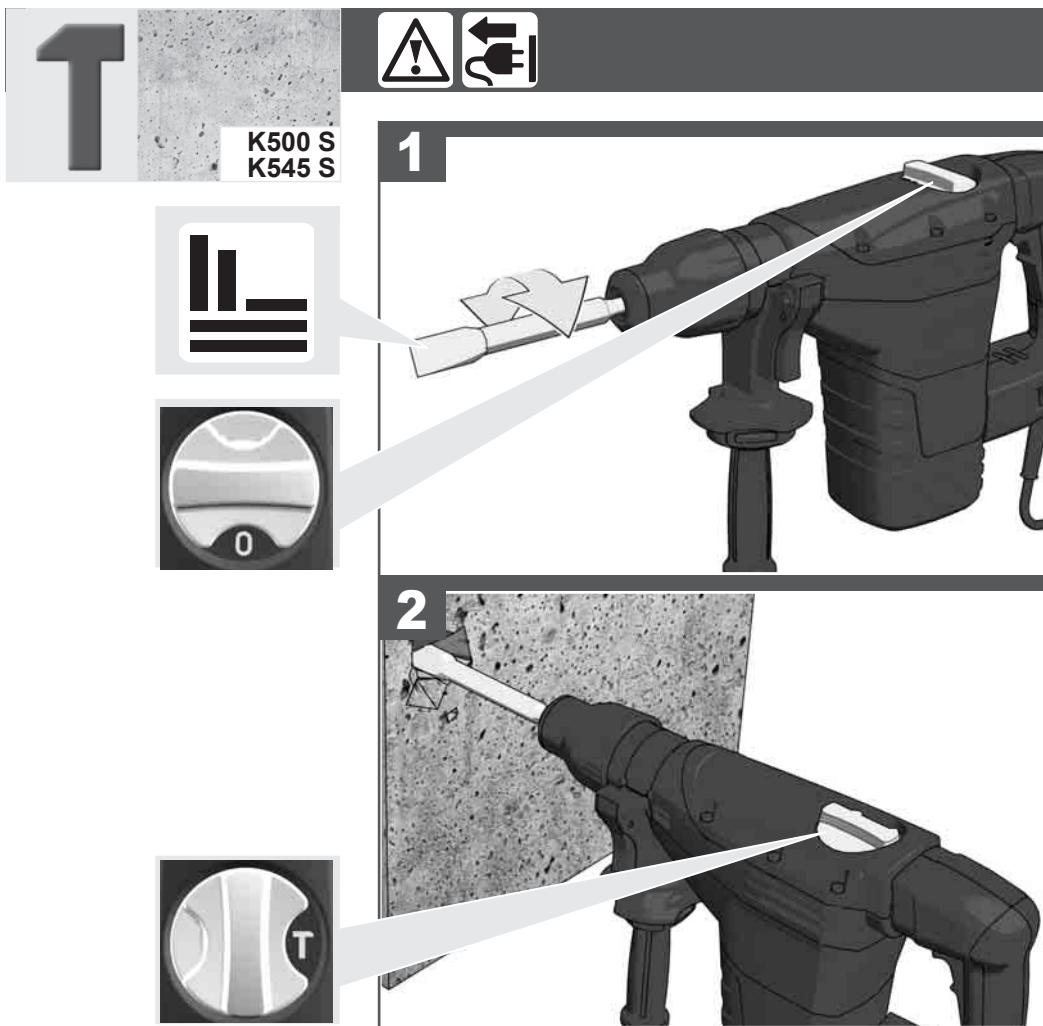


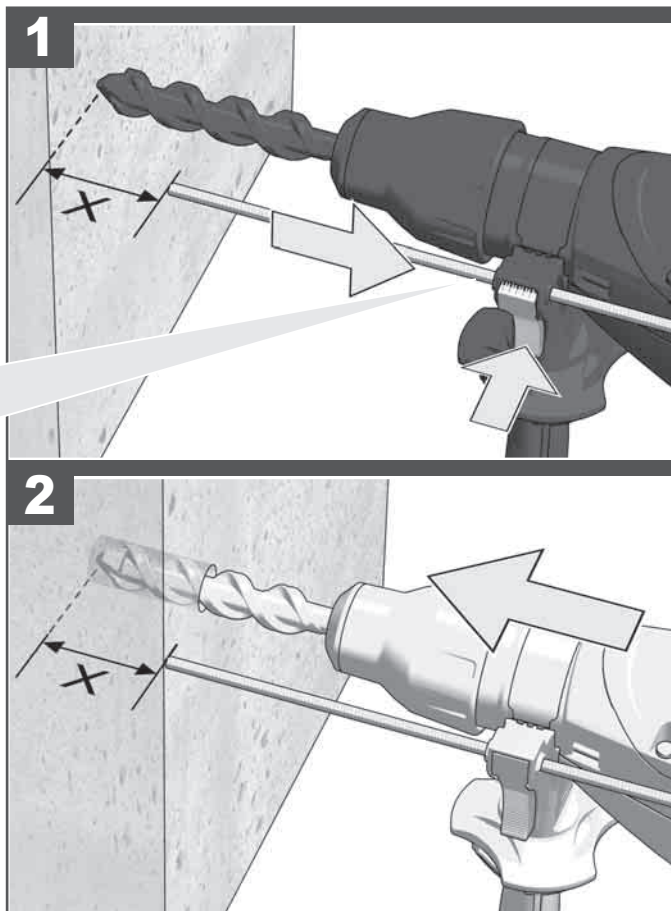
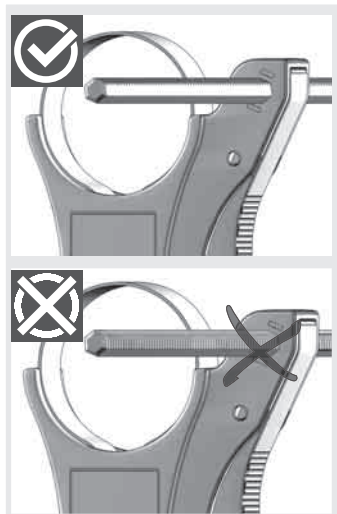
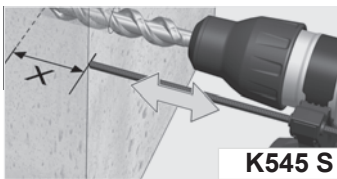
START/LOCK

STOP

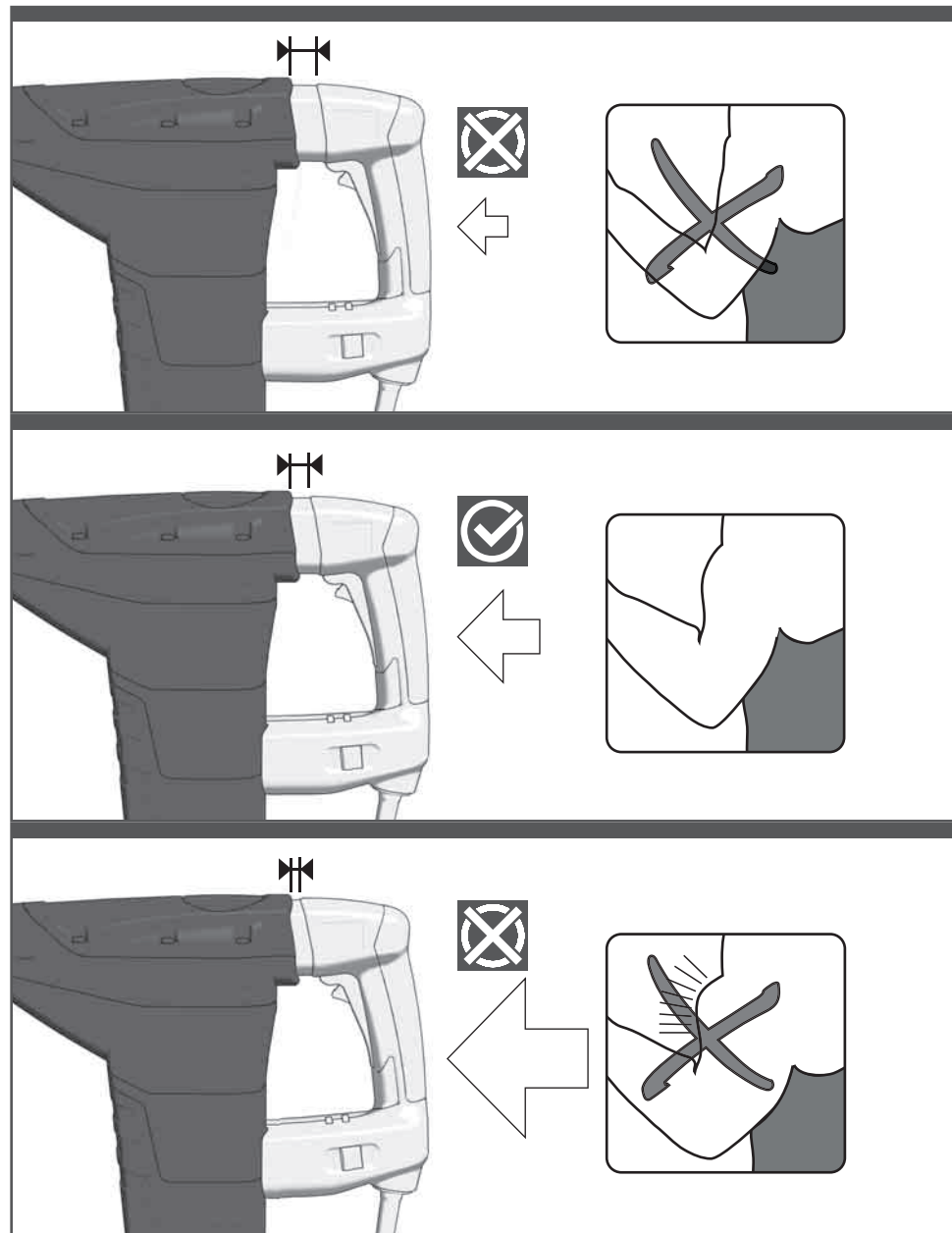


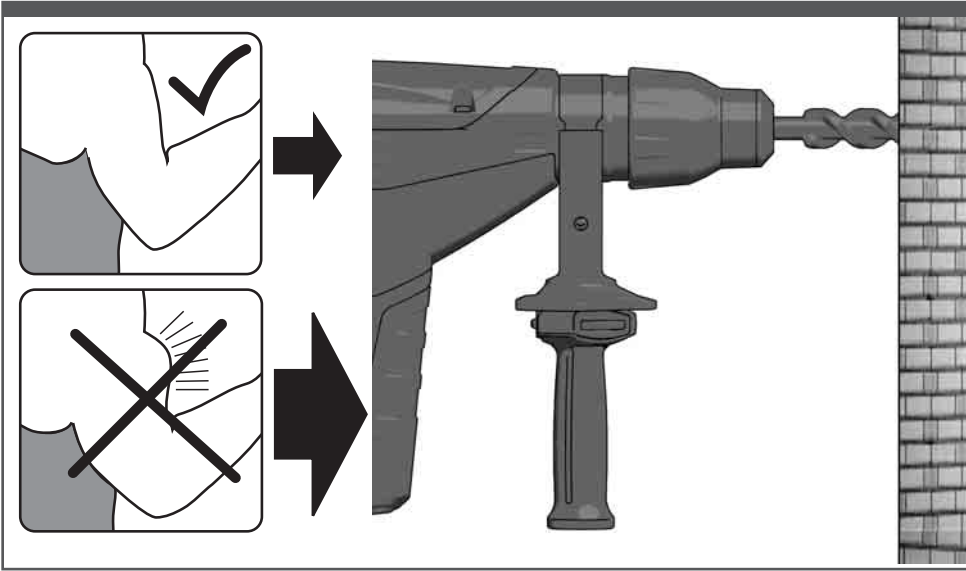
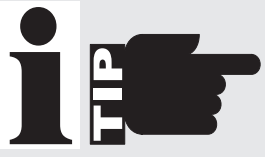






MAVS
WAVE





TECHNICAL DATA	K500 S	K545 S
Production code.....	4421 66 04...	4632 71 04...
	4421 58 04...	4422 01 04...
	4326 06 04...	4324 51 04...
	000001-999999	000001-999999
Rated input.....	1300 W.....	1300 W
Output.....	650 W.....	650 W
No-load speed.....	300 min ⁻¹	300 min ⁻¹
Speed under load max.....	300 min ⁻¹	300 min ⁻¹
Rate of percussion under load max.....	2840 min ⁻¹	2840 min ⁻¹
Impact energy per stroke according to EPTA-Procedure 05/2009.....	8,5 J	8,5 J
Drilling capacity in concrete.....	45 mm	45 mm
Tunnel bit in concrete, bricks and limestone.....	65 mm	65 mm
Core cutter in concrete, bricks and limestone.....	100 mm	100 mm
Chuck neck diameter.....	66 mm	66 mm
Weight according EPTA-Procedure 01/2014.....	6,3 kg	6,7 kg

Noise Information K545 S

Measured values determined according to EN 60745.

Typically, the A-weighted noise levels of the tool are:

Sound pressure level (Uncertainty K=3dB(A)).....	98,5 dB (A)
Sound power level (Uncertainty K=3dB(A)).....	109,5 dB (A)

Wear ear protectors!

Noise Information K500 S

Typically the A-weighted sound pressure level of the

tool is.....	91 dB (A)
--------------	-----------

Measured values determined according to 2005/88/EG at the user's ear.

2005/88/EC: Conformity assessment procedure according to Annex VI. Notified Body:

VDE Testing and Certification Institute, Merianstr. 28,

63069 Offenbach, Germany

Measured sound power level.....	101 dB (A)
Guaranteed sound power level.....	104 dB (A)

Guaranteed sound power level.....	104 dB (A)
-----------------------------------	------------

Wear ear protectors!

Vibration information

Vibration total values (triaxial vector sum) determined according to EN 60745

Hammer-drilling in concrete:

Vibration emission value a _h	11,5 m/s ²
Uncertainty K=.....	1,5 m/s ²

Chiselling	
Vibration emission value a _h	11,5 m/s ²
Uncertainty K=.....	1,9 m/s ²

WARNING

The vibration emission level given in this information sheet has been measured in accordance with a standardised test given in EN 60745 and may be used to compare one tool with another. It may be used for a preliminary assessment of exposure.

The declared vibration emission level represents the main applications of the tool. However if the tool is used for different applications, with different accessories or poorly maintained, the vibration emission may differ. This may significantly increase the exposure level over the total working period.

An estimation of the level of exposure to vibration should also take into account the times when the tool is switched off or when it is running but not actually doing the job. This may significantly reduce the exposure level over the total working period.

Identify additional safety measures to protect the operator from the effects of vibration such as: maintain the tool and the accessories, keep the hands warm, organisation of work patterns.

⚠ WARNING! Read all safety warnings and all instructions. Failure to follow the warnings and instructions may result in electric shock, fire and/or serious injury. **Save all warnings and instructions for future reference.**

⚠ ROTARY HAMMER SAFETY WARNINGS

Wear ear protectors when impact drilling. Exposure to noise can cause hearing loss.

Use auxiliary handle(s), if supplied with the tool. Loss of control can cause personal injury.

Hold the power tool by insulated gripping surfaces only, when performing an operation where the cutting accessory may contact hidden wiring or its own cord. Cutting accessory contacting a "live" wire may make exposed metal parts of the power tool "live" and could give the operator an electric shock.

ADDITIONAL SAFETY AND WORKING INSTRUCTIONS

Use protective equipment. Always wear safety glasses when working with the machine. The use of protective clothing is recommended, such as dust mask, protective gloves, sturdy non-slip footwear, helmet and ear defenders.

The dust produced when using this tool may be harmful to health. Do not inhale the dust. Wear a suitable dust protection mask.

Do not machine any materials that present a danger to health (e.g. asbestos).

Switch the device off immediately if the insertion tool stalls! Do not switch the device on again while the insertion tool is stalled, as doing so could trigger a sudden recoil with a high reactive force. Determine why the insertion tool stalled and rectify this, paying heed to the safety instructions.

The possible causes may be:

- it is tilted in the workpiece to be machined
- it has pierced through the material to be machined
- the power tool is overloaded

Do not reach into the machine while it is running.

The insertion tool may become hot during use.

WARNING! Danger of burns

- when changing tools
- when setting the device down

Chips and splinters must not be removed while the machine is running.

Keep mains lead clear from working range of the machine. Always lead the cable away behind you.

When working in walls ceiling, or floor, take care to avoid electric cables and gas or waterpipes.

Clamp your workpiece with a clamping device. Unclamped workpieces can cause severe injury and damage.

Always disconnect the plug from the socket before carrying out any work on the machine.

When working with large drill diameters, the auxiliary handle must be fastened in a right angle with the main handle (see illustrations, section "Twisting the handle").

SPECIFIED CONDITIONS OF USE

K545 S: The pneumatic hammer can be universally used for hammer drilling and chiselling in stone and concrete.

K500 S: The hammer can be used for chiselling in stone and concrete.

Do not use this product in any other way as stated for normal use.

EC-DECLARATION OF CONFORMITY

We declare as the manufacturer under our sole responsibility that the product described under "Technical Data" fulfills all the relevant regulations and the directives 2011/65/EU (RoHS), 2014/30/EU, 2006/42/EC, and the following harmonized standards have been used:

EN 60745-1:2009+A11:2010
EN 60745-2-6:2010
EN 55014-1:2017+A11:2020
EN 55014-2:2015
EN 61000-3-2:2014
EN 61000-3-3:2013
EN IEC 63000:2018

Winnenden, 2021-01-21

Alexander Krug

Alexander Krug
Managing Director

Authorized to compile the technical file

Techronic Industries GmbH
Max-Eyth-Straße 10
71364 Winnenden
Germany



GB-DECLARATION OF CONFORMITY

We declare as the manufacturer under our sole responsibility that the product described under "Technical Data" fulfills all the relevant provisions of the following Regulations S.I. 2008/1597 (as amended), S.I. 2016/1091 (as amended), S.I. 2012/3032 (as amended) and that the following designated standards have been used:

BS EN 60745-1:2009+A11:2010
BS EN 60745-2-6:2010
BS EN 55014-1:2017+A11:2020
BS EN 55014-2:2015
BS EN 61000-3-2:2014
BS EN 61000-3-3:2013
BS EN IEC 63000:2018

Winnenden, 2021-01-21

Alexander Krug

Alexander Krug
Managing Director

Authorized to compile the technical file.

Techronic Industries GmbH
Max-Eyth-Straße 10
71364 Winnenden
Germany

MAINS CONNECTION

Appliances used at many different locations including wet room and open air must be connected via a residual current device (FI, RCD, PRCD) of 30mA or less.

Connect only to single-phase AC current and only to the system voltage indicated on the rating plate. It is also possible to connect to sockets without an earthing contact as the design conforms to safety class II.

Make sure the machine is switched off before plugging in.

This is a device for professional use which may slightly exceed the guide values for current harmonics when it is connected to the public low voltage mains supply. You should therefore contact your energy supply company before you connect the device to the public low voltage mains supply.

WORK WHEN IT'S COLD

If the tool is stored for a long period of time or at cold temperatures, the lubrication may become stiff and the tool may not working initially or the working may be weak. If this happens:

1. Insert a bit or chisel into the tool.
2. Run the tool against a scrap piece of concrete.
3. Pull and release the trigger every few seconds.

After 15 seconds to 2 minutes, the tool will start hammering normally. The colder the tool is, the longer it will take to warm up.

MAINTENANCE

The ventilation slots of the machine must be kept clear at all times.

Important note! If the carbon brushes are worn, in addition to exchanging the brushes the tool should be sent to after-sales service. This will ensure long service life and top performance.

If the supply cord of this appliance is damaged, it must only be replaced by a repair shop appointed by the manufacturer, to avoid hazardous situations.

Use only Milwaukee accessories and spare parts. Should components need to be replaced which have not been described, please contact one of our Milwaukee service agents (see our list of guarantee/service addresses).

If needed, an exploded view of the tool can be ordered. Please state the Article No. as well as the machine type printed on the label and order the drawing at your local service agents or directly at: Techronic Industries GmbH, Max-Eyth-Straße 10, 71364 Winnenden, Germany.

SYMBOLS



CAUTION! WARNING! DANGER!



Always disconnect the plug from the socket before carrying out any work on the machine.



Please read the instructions carefully before starting the machine.



Accessory - Not included in standard equipment, available as an accessory.



Do not dispose electric tools, batteries/rechargeable batteries together with household waste material. Electric tools and batteries that have reached the end of their life must be collected separately and returned to an environmentally compatible recycling facility. Check with your local authority or retailer for recycling advice and collection point.



Class II tool, tool in which protection against electric shock does not rely on basic insulation only, but in which additional safety precautions, such as double insulation or reinforced insulation, are provided. There being no provision for protective earthing or reliance upon installation conditions.



European Conformity Mark



British Conformity Mark



Regulatory Compliance Mark (RCM). Product meets applicable regulatory requirements.



Ukraine Conformity Mark



EurAsian Conformity Mark

TECHNISCHE DATEN	K500 S	K545 S
Produktionsnummer	4421 66 04...	4632 71 04...
.....	4421 58 04...	4421 96 04...
.....	4326 06 04...	4324 51 04...
.....	000001-999999	000001-999999
Nennleistungsaufnahme.....	1300 W.....	1300 W
Abgabeleistung.....	650 W.....	650 W
Leerlaufdrehzahl.....	300 min ⁻¹	300 min ⁻¹
Lastdrehzahl max.	300 min ⁻¹	300 min ⁻¹
Lastschlagzahl max.	2840 min ⁻¹	2840 min ⁻¹
Einzelschlagstärke entsprechend EPTA-Procedure 05/2009	8,5 J	8,5 J
Bohr-Ø in Beton	45 mm	45 mm
Tunnelbohrer in Beton, Ziegel und Kalksandstein.....	65 mm	65 mm
Hohlbohrkronen in Beton, Ziegel und Kalksandstein.....	100 mm	100 mm
Spannhals-Ø	66 mm	66 mm
Gewicht nach EPTA-Prozedur 01/2014.....	6,3 kg	6,7 kg

Geräuschinformationen K545 S

Messwerte ermittelt entsprechend EN 60 745.

Der A-bewertete Geräuschpegel des Gerätes beträgt typischerweise:

Schalldruckpegel (Unsicherheit K=3dB(A)).....	98,5 dB (A)
Schalleistungspegel (Unsicherheit K=3dB(A)).....	109,5 dB (A)

Gehörschutz tragen!

Geräuschinformationen K500 S

Der A-bewertete Schalldruckpegel des Gerätes beträgt typischerweise..... 91 dB (A)

Messwert ermittelt entsprechend 2005/88/EG am Ohr des Anwenders.

2005/88/EG: Konformitätsbewertungsverfahren nach Anhang VI.

Benannte Stelle: VDE Prüf- und Zertifizierungsinstitut, Merianstr. 28, 63069

Offenbach, Germany

Gemessener Schalleistungspegel.....	101 dB (A)
Garantierter Schalleistungspegel.....	104 dB (A)

Gehörschutz tragen!

Vibrationsinformationen

Schwingungsgesamtwerte (Vektorsumme dreier Richtungen) ermittelt entsprechend

EN 60745.

Hammerbohren in Beton:

Schwingungsemissionswert a _w	11,5 m/s ²
Unsicherheit K=.....	1,5 m/s ²

Meißeln

Schwingungsemissionswert a _w	11,5 m/s ²	9 m/s ²
Unsicherheit K=.....	1,9 m/s ²	1,9 m/s ²

WARNUNG

Der in diesen Anweisungen angegebene Schwingungspegel ist entsprechend einem in EN 60745 genormten Messverfahren gemessen worden und kann für den Vergleich von Elektrowerkzeugen miteinander verwendet werden. Er eignet sich auch für eine vorläufige Einschätzung der Schwingungsbelastung.

Der angegebene Schwingungspegel repräsentiert die hauptsächlichen Anwendungen des Elektrowerkzeugs. Wenn allerdings das Elektrowerkzeug für andere Anwendungen, mit abweichenden Einsatzwerkzeugen oder ungenügender Wartung eingesetzt wird, kann der Schwingungspegel abweichen. Dies kann die Schwingungsbelastung über den gesamten Arbeitszeitraum deutlich erhöhen.

Für eine genaue Abschätzung der Schwingungsbelastung sollten auch die Zeiten berücksichtigt werden, in denen das Gerät abgeschaltet ist oder zwar läuft, aber nicht tatsächlich im Einsatz ist. Dies kann die Schwingungsbelastung über den gesamten Arbeitszeitraum deutlich reduzieren.

Legen Sie zusätzliche Sicherheitsmaßnahmen zum Schutz des Bedieners vor der Wirkung von Schwingungen fest wie zum Beispiel: Wartung von Elektrowerkzeug und Einsatzwerkzeugen, Warmhalten der Hände, Organisation der Arbeitsabläufe.

⚠️ WARNUNG! Lesen Sie alle Sicherheitshinweise und Anweisungen.

Versäumnisse bei der Einhaltung der Sicherheitshinweise und Anweisungen können elektrischen Schlag, Brand und/oder schwere Verletzungen verursachen.

Bewahren Sie alle Sicherheitshinweise und Anweisungen für die Zukunft auf.

⚠️ SICHERHEITSHINWEISE FÜR BOHRHAMMER

Tragen Sie Gehörschutz beim Schlagbohren. Die Einwirkung von Lärm kann Gehörverlust bewirken.

Benutzen Sie die mit dem Gerät gelieferten Zusatzhandgriffe, wenn diese mitgeliefert werden. Der Verlust der Kontrolle kann zu Verletzungen führen.

Halten Sie das Elektrowerkzeug nur an den isolierten Griffflächen, wenn Sie Arbeiten ausführen, bei denen das Einsatzwerkzeug verborgene Stromleitungen oder das eigene Netzkabel treffen kann. Der Kontakt mit einer spannungsführenden Leitung kann auch metallene Geräteteile unter Spannung setzen und zu einem elektrischen Schlag führen.

WEITERE SICHERHEITS- UND ARBEITSHINWEISE

Schutzrüstung verwenden. Beim Arbeiten mit der Maschine stets Schutzbrille tragen. Schutzkleidung wie Staubschutzmaske, Schutzhandschuhe, festes und rutschsicheres Schuhwerk, Helm und Gehörschutz werden empfohlen.

Beim Arbeiten entstehender Staub ist oft gesundheitsschädlich und sollte nicht in den Körper gelangen. Geeignete Staubschutzmaske tragen.

Es dürfen keine Materialien bearbeitet werden, von denen eine Gesundheitsgefährdung ausgeht (z.B. Asbest).

Beim Blockieren des Einsatzwerkzeuges bitte das Gerät sofort ausschalten! Schalten Sie das Gerät nicht wieder ein, solange das Einsatzwerkzeug blockiert ist; hierbei könnte ein Rückschlag mit hohem Reaktionsmoment entstehen. Ermitteln und beheben Sie die Ursache für die Blockierung des Einsatzwerkzeuges unter Berücksichtigung der Sicherheitshinweise.

Mögliche Ursachen dafür können sein:

- Verkanten im zu bearbeitenden Werkstück
- Durchbrechen des zu bearbeitenden Materials
- Überlasten das Elektrowerkzeuges

Greifen Sie nicht in die laufende Maschine.

Das Einsatzwerkzeug kann während der Anwendung heiß werden.

WARNUNG! Verbrennungsgefahr

- bei Werkzeugwechsel
- bei Ablegen des Gerätes

Späne oder Splitter dürfen bei laufender Maschine nicht entfernt werden.

Anschlusskabel stets vom Wirkungsbereich der Maschine fernhalten. Kabel immer nach hinten von der Maschine wegführen.

Beim Arbeiten in Wand, Decke oder Fußboden auf elektrische Kabel, Gas- und Wasserleitungen achten.

Sichern Sie Ihr Werkstück mit einer Spannvorrichtung. Nicht gesicherte Werkstücke können schwere Verletzungen und Beschädigungen verursachen.

Vor allen Arbeiten an der Maschine Stecker aus der Steckdose ziehen.

Bei großen Bohrdurchmessern muss der Zusatzhandgriff rechtwinklig zum Haupthandgriff befestigt werden (siehe auch im Bildteil, Abschnitt "Handgriff verdrehen").

BESTIMMUNGSGEMÄSSE VERWENDUNG

K545 S: Der Bohrhämmer ist universell einsetzbar zum Hammerbohren und Meißeln in Gestein und Beton.

K500 S: Der Meißelhämmer ist einsetzbar zum Meißeln in Gestein und Beton.

Dieses Gerät darf nur wie angegeben bestimmungsgemäß verwendet werden.

CE-KONFORMITÄTSERKLÄRUNG

Wir erklären als Hersteller in alleiniger Verantwortung, dass das unter „Technische Daten“ beschriebene Produkt mit allen relevanten Vorschriften der Richtlinien 2011/65/EU (RoHS), 2014/30/EU, 2006/42/EG und den folgenden harmonisierten normativen Dokumenten übereinstimmt:

EN 60745-1:2009+A11:2010

EN 60745-2:6:2010

EN 55014-1:2017+A11:2020

EN 55014-2:2015

EN 61000-3-2:2014

EN 61000-3-3:2013

EN IEC 63000:2018

Winnenden, 2021-01-21



Alexander Krug
Managing Director



Bevollmächtigt die technischen Unterlagen zusammenzustellen.

Techrnic Industries GmbH

Max-Eyth-Straße 10

71364 Winnenden

Germany

NETZANSCHLUSS

Steckdosen in Feuchträumen und Außenbereichen müssen mit Fehlerstrom-Schutzschaltern (FI, RCD, PRCD) ausgerüstet sein. Das verlangt die Installationsvorschrift für Ihre Elektroanlage. Bitte beachten Sie das bei der Verwendung unseres Gerätes.

Nur an Einphasen-Wechselstrom und nur an die auf dem Leistungsschild angegebene Netzspannung anschließen. Anschluss ist auch an Steckdosen ohne Schutzkontakt möglich, da ein Aufbau der Schutzklasse II vorliegt.

Gerät nur ausgeschaltet an die Steckdose anschließen.

Dies ist ein Gerät zur professionellen Nutzung, das die Richtwerte für Stromoberwellen beim Anschluss an das öffentliche Niederspannungsnetz geringfügig überschreiten kann. Kontaktieren Sie daher vor dem Anschluss des Gerätes an das öffentliche Niederspannungsnetz gegebenenfalls Ihr zuständiges Energieversorgungsunternehmen.

ARBEITEN BEI KÄLTE

Wenn die Maschine über einen längeren Zeitraum oder bei niedrigen Temperaturen gelagert wird, kann die Schmiering zäh werden und es kann sein, dass die Maschine anfänglich nicht arbeitet oder die Leistung zu gering ist. Wenn das passiert:

1. Setzen Sie einen Bohrer oder Meißel in die Maschine ein.
2. Setzen Sie die Maschine auf ein Reststück Beton.
3. Betätigen Sie den Schallerdrücker alle paar Sekunden und lassen Sie ihn wieder los.

Nach 15 Sekunden bis 2 Minuten beginnt die Maschine normal zu hämmern. Je kälter die Maschine ist, desto länger dauert das Aufwärmen.

WARTUNG

Stets die Lüftungsschlitze der Maschine sauber halten.

Bei abgenutzten Kohlebürsten sollte zusätzlich zum Kohlebürstenwechsel ein Kundendienst in einer Servicewerkstatt durchgeführt werden. Dies erhöht die Lebensdauer der Maschine und garantiert eine ständige Betriebsbereitschaft.

Wenn die Netzanschlussleitung beschädigt ist, muss diese durch eine Kundendienststelle ausgewechselt werden, um Gefährdungen zu vermeiden.

Nur Milwaukee Zubehör und Ersatzteile verwenden. Bauteile, deren Austausch nicht beschrieben wurde, bei einer Milwaukee Kundendienststelle auswechseln lassen (Broschüre Garantie/Kundendienstadressen beachten).

Bei Bedarf kann eine Explosionszeichnung des Gerätes unter Angabe der Maschinen Type und der sechsstelligen Nummer auf dem Leistungsschild bei Ihrer Kundendienststelle oder direkt bei Techrnic Industries GmbH, Max-Eyth-Straße 10, 71364 Winnenden, Germany angefordert werden.

SYMBOLS



ACHTUNG! WARNUNG! GEFAHR!



Vor allen Arbeiten an der Maschine Stecker aus der Steckdose ziehen.



Bitte lesen Sie die Gebrauchsanweisung vor Inbetriebnahme sorgfältig durch.



Zubehör - Im Lieferumfang nicht enthalten, empfohlene Ergänzung aus dem Zubehörprogramm.



Elektrogeräte, Batterien/Akkus dürfen nicht zusammen mit dem Hausmüll entsorgt werden. Elektrische Geräte und Akkus sind getrennt zu sammeln und zur umweltgerechten Entsorgung bei einem Verwertungsbetrieb abzugeben. Erkundigen Sie sich bei den örtlichen Behörden oder bei Ihrem Fachhändler nach Recyclinghöfen und Sammelstellen.



Elektrowerkzeug der Schutzklasse II. Elektrowerkzeug, bei dem der Schutz vor einem elektrischen Schlag nicht nur von der Basisisolierung abhängt, sondern auch davon, dass zusätzliche Schutzmaßnahmen, wie doppelte Isolierung oder verstärkte Isolierung, angewendet werden. Es gibt keine Vorrichtung zum Anschluss eines Schutzleiters.



Europäisches Konformitätszeichen



Britisches Konformitätszeichen



Regulatory Compliance Mark (RCM). Das Produkt erfüllt die geltenden Vorschriften.



Ukrainisches Konformitätszeichen



Euroasiatisches Konformitätszeichen

CARACTÉRISTIQUES TECHNIQUES	K500 S	K545 S
Numéro de série.....	4421 66 04...	4632 71 04...
.....	4421 58 04...	4422 01 04...
.....	4326 06 04...	4324 51 04...
.....	000001-999999	000001-999999
Puissance nominale de réception.....	1300 W.....	1300 W
Puissance utile.....	650 W.....	650 W
Vitesse de rotation à vide.....	300 min ⁻¹	300 min ⁻¹
Vitesse de rotation en charge.....	300 min ⁻¹	300 min ⁻¹
Perçage à percussion en charge max.....	2840 min ⁻¹	2840 min ⁻¹
Puissance de frappe individuelle suivant EPTA-Procédure 05/2009.....	8,5 J.....	8,5 J
Ø de perçage dans le béton.....	45 mm.....	45 mm
Forêt dans le béton, la brique et la brique silico-calcaire.....	65 mm.....	65 mm
Couronne-trépan dans le béton, la brique et la brique silico-calcaire.....	100 mm.....	100 mm
Ø du collier de serrage.....	66 mm.....	66 mm
Poids suivant EPTA-Procédure 01/2014.....	6,3 kg.....	6,7 kg

Informations sur le bruit K545 S

Valeurs de mesure obtenues conformément à la EN 60 745.

Les mesures réelles (A) des niveaux acoustiques de l'appareil sont

Niveau de pression acoustique (K=3dB(A)).....	98,5 dB (A)
Niveau d'intensité acoustique (K=3dB(A)).....	109,5 dB (A)

Toujours porter une protection acoustique!

Informations sur le bruit K500 S

La mesure réelle (A) du niveau de bruit de

l'outil est 91 dB (A)

Valeur calculée conformément au procédé 2005/88/CE sur l'oreille de l'utilisateur

2005/88/EG: procédé d'évaluation de conformité selon l'annexe VI.

Service administratif cité: VDE Testing and Certification Institute, Merianstr. 28, 63069

Offenbach, Allemagne

Niveau de puissance acoustique mesuré.....	101 dB (A)
Niveau de puissance acoustique garanti.....	104 dB (A)

Toujours porter une protection acoustique!

Informations sur les vibrations

Valeurs totales des vibrations (somme vectorielle de trois sens) établies conformément à

EN 60745.

Perçage à percussion le béton:

Valeur d'émission vibratoire a_w..... 11,5 m/s²

Incertitude K=..... 1,5 m/s²

Burinage

Valeur d'émission vibratoire a_w..... 11,5 m/s²..... 9 m/s²

Incertitude K=..... 1,9 m/s²..... 1,9 m/s²

AVERTISSEMENT

Le niveau vibratoire indiqué dans ces instructions a été mesuré selon un procédé de mesure normalisé dans la norme EN 60745 et peut être utilisé pour comparer des outils électriques entre eux. Il convient aussi à une estimation provisoire de la sollicitation par les vibrations.

Le niveau vibratoire indiqué représente les applications principales de l'outil électrique. Toutefois, si l'outil électrique est utilisé pour d'autres applications, avec des outils rapportés qui diffèrent ou une maintenance insuffisante, il se peut que le niveau vibratoire diverge. Cela peut augmenter nettement la sollicitation par les vibrations sur tout l'intervalle de temps du travail.

Pour une estimation précise de la sollicitation par les vibrations, on devrait également tenir compte des temps pendant lesquels l'appareil n'est pas en marche ou tourne sans être réellement en service. Cela peut réduire nettement la sollicitation par les vibrations sur tout l'intervalle de temps du travail.

Définissez des mesures de sécurité supplémentaires pour protéger l'utilisateur contre l'influence des vibrations, comme par exemple : la maintenance de l'outil électrique et des outils rapportés, le maintien au chaud des mains, l'organisation des déroulements de travail.

AVIS! Lire complètement les instructions et les indications de sécurité. Le

non-respect des avertissements et instructions indiqués ci après peut entraîner un choc électrique, un incendie et/ou de graves blessures sur les personnes.

Bien garder tous les avertissements et instructions.

INDICATIONS DE SÉCURITÉ POUR MARTEAU PERFORATEUR

Porter un casque de protection au cours du perçage à percussion. L'exposition au bruit pourrait provoquer une diminution de l'ouïe.

Utilisez les poignées supplémentaires livrées en même temps que l'appareil. La perte de contrôle peut mener à des blessures.

Maintenez l'appareil par les surfaces de poignée isolées lorsque vous exécutez des travaux pendant lesquels l'outil de coupe peut toucher des lignes électriques dissimulées ou le propre câble. Le contact de l'outil de coupe avec un câble qui conduit la tension peut mettre les pièces métalliques de l'appareil sous tension et mener à une décharge électrique.

AVIS COMPLÉMENTAIRES DE SÉCURITÉ ET DE TRAVAIL

Utiliser l'équipement de protection. Toujours porter des lunettes de protection pendant le travail avec la machine. Il est recommandé de porter des articles de protection, tels que masque antipoussière, gants de protection, chaussures tenant bien aux pieds et antidérapantes, casque et protection acoustique.

Les poussières qui sont dégagées pendant les travaux sont souvent nocives pour la santé et ne devraient pas pénétrer dans le corps. Porter un masque de protection approprié contre les poussières.

Il est interdit de travailler des matériaux dangereux pour la santé (par ex. amiante).

Désactiver immédiatement le dispositif en cas de blocage ! Ne pas réactiver le dispositif avec l'outil bloqué; il y a le risque de provoquer un contrecoup avec moment de réaction élevé. Établir et éliminer la cause du blocage de l'outil en prêtant attention aux consignes de sécurité.

Les causes possibles sont :

- Encastrement dans la pièce à travailler.
- Le dispositif a traversé le matériau à travailler en le cassant.
- Le dispositif électrique a été surchargé.

Ne pas approcher les mains de la partie en mouvement de la machine.

Durant l'utilisation, l'outil peut se surchauffer.

AVERTISSEMENT! Danger de brûlures

- durant le remplacement de l'outil
- durant la dépose de l'outil

Ne jamais enlever les copeaux ni les éclats lorsque la machine est en marche.

Le câble d'alimentation doit toujours se trouver en dehors du champ d'action de la machine. Toujours maintenir le câble d'alimentation à l'arrière de la machine.

Lors du perçage dans les murs, les plafonds ou les planchers, toujours faire attention aux câbles électriques et aux conduites de gaz et d'eau.

Fixer fermement la pièce en exécution à l'aide d'un dispositif de serrage. Des pièces en exécution non fermement fixées peuvent provoquer des dommages et des lésions graves.

Avant tous travaux sur la machine extraire la fiche de la prise de courant.

Pour effectuer de grands diamètres de perçage, la poignée supplémentaire doit être montée perpendiculairement à la poignée principale. Voir aussi les figures se trouvant dans le chapitre « Ajustement de la poignée ».

UTILISATION CONFORME AUX PRESCRIPTIONS

K545 S: Le marteau-perforateur est conçu pour un travail universel de perçage à percussion et de burinage dans la maçonnerie et de béton.

K500 S: Le brise-béton peut-être utilisé pour de gros travaux de burinage dans la maçonnerie et de béton

Comme déjà indiqué, cette machine n'est conçue que pour être utilisée conformément aux prescriptions.

DECLARATION CE DE CONFORMITÉ

Nous déclarons, en tant que fabricant et sous notre seule responsabilité, que le produit décrit dans « Données techniques » est conforme à toutes les dispositions pertinentes des directives 2011/65/UE (RoHS), 2014/30/UE, 2006/42/CE et des documents normatifs harmonisés suivants :

EN 60745-1:2009+A11:2010

EN 60745-2-6:2010

EN 55014-1:2017+A11:2020

EN 55014-2:2015

EN 61000-3-2:2014

EN 61000-3-3:2013

EN IEC 63000:2018

Winnenden, 2021-01-21

Alexander Krug

Alexander Krug
Managing Director



Autorisé à compiler la documentation technique.

Technic Industries GmbH

Max-Eyth-Straße 10

71364 Winnenden

Germany

BRANCHEMENT SECTEUR

Les prises de courant se trouvant à l'extérieur doivent être équipées de disjoncteurs différentiel (FI, RCD, PRCD) conformément aux prescriptions de mise en place de votre installation électrique. Veuillez en tenir compte lors de l'utilisation de notre appareil.

Raccorder uniquement à un courant électrique monophasé et uniquement à la tension secteur indiquée sur la plaque signalétique. Le raccordement à des prises de courant sans contact de protection est également possible car la classe de protection II est donnée.

Ne relier l'appareil à la prise de courant que lorsqu'il est débranché.

Il s'agit ici d'un appareil pour l'utilisation professionnelle qui peut dépasser légèrement les valeurs de référence pour les ondes harmoniques du courant lors du branchement au réseau public de basse tension. C'est pourquoi vous devriez contacter le cas échéant votre entreprise compétente en matière d'approvisionnement en énergie avant de brancher l'appareil au réseau public de basse tension.

TRAVAILLER EN MILIEU FROID

Travailler dans des conditions de froid

Si la machine est stockée pendant une longue période ou à basse température, la lubrification peut devenir difficile et il est possible que la machine ne fonctionne pas au départ ou que le rendement soit trop faible. Si tel est le cas :

1. Insérez un foret ou un ciseau dans la machine.
2. Placez la machine sur un morceau de béton restant.
3. Appuyez et relâchez la gâchette toutes les quelques secondes.

Après une période allant de 15 secondes à 2 minutes, la machine commence à marteler normalement. Plus la machine est froide, plus il lui faudra de temps pour se réchauffer.

ENTRETIEN

Tenir toujours propres les orifices de ventilation de la machine.

Attention! Lorsque les balais (charbons) sont usés, il est recommandé de faire effectuer, outre le changement des balais (charbons), une inspection dans une station de service après-vente. Ceci augmente la durée de vie de la machine et garantit un fonctionnement permanent de la machine.

Si le câble de raccordement au réseau secteur est endommagé, celui-ci doit être remplacé par un centre de service après-vente, pour éviter les risques.

N'utiliser que des pièces et accessoires Milwaukee. Pour des pièces dont l'échange n'est pas décrit, s'adresser de préférence aux stations de service après-vente Milwaukee (voir brochure Garantie/Adresses des stations de service après-vente).

Si besoin est, une vue éclatée de l'appareil peut être fournie. S'adresser, en indiquant bien le numéro porté sur la plaque signalétique, à votre station de service après-vente (voir liste jointe) ou directement à Technic Industries GmbH, Max-Eyth-Straße 10, 71364 Winnenden, Germany.

SYMBOLES



ATTENTION! AVERTISSEMENT! DANGER!



Avant tous travaux sur la machine extraire la fiche de la prise de courant.



Veuillez lire avec soin le mode d'emploi avant la mise en service



Accessoires - Ces pièces ne font pas partie de la livraison. Il s'agit là de compléments recommandés pour votre machine et énumérés dans le catalogue des accessoires.



Les dispositifs électriques, les batteries et les batteries rechargeables ne sont pas à éliminer dans les déchets ménagers. Les dispositifs électriques et les batteries sont à collecter séparément et à remettre à un centre de recyclage en vue de leur élimination dans le respect de l'environnement. S'adresser aux autorités locales ou au détaillant spécialisé en vue de connaître l'emplacement des centres de recyclage et des points de collecte.



Outil électrique en classe de protection II. Outil électrique équipé d'une protection contre la fulguration électrique qui ne dépend seulement de l'isolation de base mais aussi de l'application d'autres mesures de protection telles qu'une double isolation ou une isolation augmentée. La connexion d'un conducteur de protection n'est pas prédisposée.



Marque de conformité européenne



Marque de conformité britannique



Regulatory Compliance Mark (RCM). Le produit est conforme aux prescriptions en vigueur.



Marque de conformité ukrainienne



Marque de conformité d'Eurasie

DATI TECNICI	K500 S	K545 S
Numero di serie	4632 71 04...	4422 01 04...
.....	4421 66 04...	4421 96 04...
.....	4326 06 04...	4324 51 04...
.....	000001-999999	000001-999999
Potenza assorbita nominale	1300 W	1300 W
Potenza erogata	650 W	650 W
Numero di giri a vuoto	300 min ⁻¹	300 min ⁻¹
Numero di giri a carico, max.	300 min ⁻¹	300 min ⁻¹
Percussione a pieno carico, max.	2840 min ⁻¹	2840 min ⁻¹
Forza colpo singolo corrispondente alla procedura EPTA 05/2009	8,5 J	8,5 J
Ø Foratura in calcestruzzo	45 mm	45 mm
Punte tunnel per calcestruzzo, mattoni, calcare	65 mm	65 mm
Punte corona per calcestruzzo, mattoni, calcare	100 mm	100 mm
Ø Collarino di fissaggio	66 mm	66 mm
Peso secondo la procedura EPTA 01/2014	6,3 kg	6,7 kg

Informazioni sulla rumorosità K545 S

Valori misurati conformemente alla norma EN 60 745.

La misurazione A del livello di pressione acustica dell'utensile è di solito di:

Livello di rumorosità (Incertezza della misura K=3dB(A))	98,5 dB (A)
Potenza della rumorosità (Incertezza della misura K=3dB(A))	109,5 dB (A)

Utilizzare le protezioni per l'udito!

Informazioni sulla rumorosità K500 S

La misurazione A della pressione del livello sonoro di un utensile di solito deve essere

Valori misurati conf. 2005/88/CE all'orecchio dell'utente	91 dB (A)
---	-----------

2005/88/CE: Procedimento di valutazione della conformità conf. appendice VI.

Ufficio designato:

VDE Testing and Certification Institute, Merianstr. 28,

63069 Offenbach, Germania

Livello di potenza sonora misurato
 101 dB (A) |

Livello di potenza sonora garantito
 104 dB (A) |

Utilizzare le protezioni per l'udito!

Informazioni sulle vibrazioni

Valori totali delle oscillazioni (somma di vettori in tre direzionimisurati conformemente

alla norma EN 60745

Forare in calcestruzzo:

Valore di emissione dell'oscillazione a_h
 11,5 m/s² |

Incertezza della misura K=
 1,5 m/s² |

Scalpellare

Valore di emissione dell'oscillazione a_h
 11,5 m/s² |

Incertezza della misura K=
 1,9 m/s² |

AVVERTENZA

Il livello di vibrazioni indicato nelle presenti istruzioni è stato misurato in conformità con un procedimento di misurazione codificato nella EN 60745 e può essere utilizzato per un confronto tra attrezzi elettrici. Inoltre si può anche utilizzare per una valutazione preliminare della sollecitazione da vibrazioni.

Il livello di vibrazioni indicato rappresenta le applicazioni principali dell'attrezzo elettrico. Se viceversa si utilizza l'attrezzo elettrico per altri scopi, con accessori differenti o con una manutenzione insufficiente, il livello di vibrazioni può risultare diverso. E questo può aumentare decisamente la sollecitazione da vibrazioni lungo l'intero periodo di lavorazione.

Ai fini di una valutazione precisa della sollecitazione da vibrazioni si dovrebbero tenere presente anche i periodi in cui l'apparecchio rimane spento oppure, anche se acceso, non viene effettivamente utilizzato. Ciò può ridurre notevolmente la sollecitazione da vibrazioni lungo l'intero periodo di lavorazione.

Stabilite misure di sicurezza supplementari per la tutela dell'operatore dall'effetto delle vibrazioni, come ad esempio: manutenzione dell'attrezzo elettrico e degli accessori, riscaldamento delle mani, organizzazione dei processi di lavoro.

AVVERTENZA! Leggere tutte le istruzioni ed indicazioni di sicurezza.

In caso di mancato rispetto delle avvertenze di pericolo e delle istruzioni operative si potrà creare il pericolo di scosse elettriche, incendi e/o incidenti gravi.

Conservare tutte le avvertenze di pericolo e le istruzioni operative per ogni esigenza futura.

INDICAZIONI DI SICUREZZA PER MARTELLI ROTATIVI

Indossare cuffie protettive durante la trapanatura a percussione. L'esposizione al rumore potrebbe comportare una riduzione dell'udito.

Utilizzare l'utensile con la sua impugnatura supplementare. La perdita di controllo potrebbe causare danneggiamenti all'utilizzatore.

Impugnare l'apparecchio sulle superfici di tenuta isolate mentre si eseguono lavori durante i quali l'utensile da taglio potrebbe entrare in contatto con cavi di corrente o con il proprio cavo d'alimentazione. L'eventuale contatto dell'utensile da taglio con un cavo sotto tensione potrebbe mettere sotto tensione le parti metalliche dell'apparecchio e provocare una folgorazione.

ULTERIORI AVVISI DI SICUREZZA E DI LAVORO

Usare dispositivi di protezione. Durante il lavoro con la macchina bisogna sempre portare occhiali di protezione. Si consiglia di indossare indumenti di protezione come maschera antipolvere, guanti di protezione, scarpe antiscivolo robuste, casco e cuffie di protezione acustica.

La polvere che si produce durante il lavoro è spesso dannosa per la salute e non dovrebbe essere aspirata. Portare un'adeguata mascherina protettiva.

E' vietato lavorare materiali che possono costituire pericoli alla salute (ad es. amianto).

Spegnerne immediatamente il dispositivo in caso di bloccaggio! Non riaccendere il dispositivo fino a quando l'utensile ad inserto resta bloccato: esiste il rischio di causare un contraccolpo con elevato momento di reazione. Rilevare ed eliminare la causa del bloccaggio dell'utensile ad inserto tenendo conto delle indicazioni di sicurezza.

Le possibili cause sono:

- Incastro nel pezzo in lavorazione
- Il dispositivo ha attraversato il materiale da lavorare rompendolo
- Il dispositivo elettrico è stato sovraccaricato

Non avvicinare le mani alla parte della macchina in movimento.

Durante l'uso l'utensile ad inserto può surriscaldarsi.

AVVERTENZA! Pericolo di ustioni

- durante la sostituzione dell'utensile
- durante il deposito dell'utensile

Non rimuovere trucioni o scegge mentre l'utensile è in funzione.

Tenere sempre lontano il cavo di collegamento dall'area di lavoro dell'attrezzo.

Forando pareti, soffitti o pavimenti, si faccia attenzione ai cavi elettrici e alle condutture dell'acqua e del gas.

Fissare in sicurezza il pezzo in lavorazione con un dispositivo di serraggio. Pezzi in lavorazione che non siano fissati in sicurezza possono causare gravi lesioni e danni.

Prima di effettuare qualsiasi lavoro sulla macchina togliere la spina dalla presa di corrente.

Quando si lavora con punte di grande diametro, l'impugnatura supplementare deve essere ben fissata ad angolo retto con l'impugnatura principale (vedere figura Sezione "Inserire l'impugnatura").

UTILIZZO CONFORME

K545 S: Il martello perforatore è utilizzabile universalmente per forare a percussione, per scalpellare la pietra e cemento.

K500 S: Il martello può essere utilizzato per scalpellare la pietra e cemento.

Utilizzare il prodotto solo per l'uso per cui è previsto.

DICHIARAZIONE DI CONFORMITÀ CE

In qualità di produttore dichiariamo sotto la nostra esclusiva responsabilità che il prodotto descritto nei "Dati tecnici" è conforme a tutte le disposizioni pertinenti delle direttive 2011/65/UE (RoHS), 2014/30/UE, 2006/42/CE e dei seguenti documenti normativi armonizzati:

EN 60745-1:2009+A11:2010

EN 60745-2-6:2010

EN 55014-1:2017+A11:2020

EN 55014-2:2015

EN 61000-3-2:2014

EN 61000-3-3:2013

EN IEC 63000:2018

Winnenden, 2021-01-21



Alexander Krug
Managing Director



Autorizzato alla preparazione della documentazione tecnica

Techtronic Industries GmbH

Max-Eyth-Straße 10

71364 Winnenden

Germany

COLLEGAMENTO ALLA RETE

Gli apparecchi mobili usati all'aperto devono essere collegati interponendo un interruttore di sicurezza (FI, RCD, PRCD) per guasti di corrente.

Connettere solo corrente alternata mono fase e solo al sistema di voltaggio indicato sulla piastra. E' possibile anche connettere la presa senza un contatto di messa a terra così come prevede lo schema conforme alla norme di sicurezza di classe II.

Inserire la spina nella presa di corrente solo ad apparecchio spento

Si tratta di un apparecchio per uso professionale che collegato alla rete elettrica pubblica a basso voltaggio può superare leggermente i valori di riferimento per le armoniche di corrente. Pertanto prima di collegare l'apparecchio alla rete elettrica pubblica a basso voltaggio contattare eventualmente la competente impresa erogatrice di energia elettrica.

LAVORARE AL FREDDO

Se il dispositivo viene immagazzinato per un lungo periodo di tempo o se viene conservato a basse temperature, la lubrificazione può diventare viscosa e può verificarsi che il dispositivo inizialmente non riesca a lavorare o che le sue prestazioni non siano soddisfacenti. In questi casi:

1. Inserire una punta o uno scalpello nel dispositivo.
2. Posizionare il dispositivo su un pezzo di cemento residuo.
3. Premere e rilasciare l'interruttore a pulsante ripetutamente con pochi secondi di intervallo.

Dopo un periodo da 15 secondi a 2 minuti il dispositivo inizia a lavorare normalmente. Più freddo è il dispositivo, più tempo sarà necessario per riscaldarlo.

MANUTENZIONE

Tener sempre ben pulite le fessure di ventilazione dell'apparecchio.

Informazione importante! Nel caso che il carboncino si sia consumato oltre il limite di sostituzione è necessario portare l'apparecchio ad un centro di assistenza, onde garantire la massima affidabilità ed efficienza dello stesso.

Se il cavo di allacciamento elettrico è danneggiato, deve essere immediatamente sostituito dal punto di servizio assistenza, perché allo scopo serve un utensile speciale.

Utilizzare esclusivamente accessori e pezzi di ricambio Milwaukee. L'installazione di pezzi di ricambio non specificamente prescritti dall'Milwaukee va preferibilmente effettuata dal servizio di assistenza clienti Milwaukee (ved. opuscolo Garanzia/Indirizzi Assistenza tecnica).

In caso di mancanza del disegno esploso, può essere richiesto al seguente indirizzo: Techtronic Industries GmbH, Max-Eyth-Straße 10, 71364 Winnenden, Germany.

SIMBOLI



ATTENZIONE! AVVERTENZA! PERICOLO!



Prima di effettuare qualsiasi lavoro sulla macchina togliere la spina dalla presa di corrente.



Leggere attentamente le istruzioni per l'uso prima di mettere in funzione l'elettrotensile.



Accessorio - Non incluso nella dotazione standard, disponibile a parte come accessorio.



I dispositivi elettrici, le batterie e le batterie ricaricabili non devono essere smaltiti con i rifiuti domestici. I dispositivi elettrici e le batterie devono essere raccolti separatamente e devono essere conferiti ad un centro di riciclaggio per lo smaltimento rispettoso dell'ambiente. Chiedere alle autorità locali o al rivenditore specializzato dove si trovano i centri di riciclaggio e i punti di raccolta.



Utensile elettrico di classe di protezione II. Utensile elettrico sul quale la protezione contro la folgorazione elettrica non dipende soltanto dall'isolamento di base, ma anche dall'applicazione di ulteriori misure di protezione, come il doppio isolamento o l'isolamento maggiorato. Non è predisposto il collegamento di un conduttore di protezione.



Marchio di conformità europeo



Marchio di conformità britannico



Regulatory Compliance Mark (RCM). Il prodotto soddisfa le prescrizioni in vigore.



Marchio di conformità ucraino



Marchio di conformità euroasiatico

DATOS TÉCNICOS		K500 S	K545 S
Número de producción		4632 71 04...	4422 01 04...
		4421 66 04...	4421 96 04...
		4421 58 04...	4324 51 04...
		4326 06 04...	000001-999999
		000001-999999	1300 W
Potencia de salida nominal.....		1300 W	650 W
Potencia entregada		300 min ⁻¹	300 min ⁻¹
Velocidad en vacío		2840 min ⁻¹	2840 min ⁻¹
Velocidades en carga max.....		8,5 J	8,5 J
Frecuencia de impactos bajo carga.....		45 mm	45 mm
Energía por percusión según EPTA-Procedure 05/2009		65 mm	65 mm
Diámetro de taladrado en hormigón.....		100 mm	100 mm
Brocas túnel en hormigón, ladrillo y arenisca		66 mm	66 mm
Broca de corona en hormigón, ladrillo y arenisca		6,3 kg	6,7 kg
Broca de corona en hormigón, ladrillo y arenisca			
Diámetro de cuello de amarre			
Peso de acuerdo con el procedimiento EPTA 01/2014			

Información sobre ruidos K545 S

Determinación de los valores de medición según norma EN 60 745.

El nivel de ruido típico del aparato determinado con un filtro A corresponde a:

Presión acústica (Tolerancia K=3dB(A))	98,5 dB (A)
Resonancia acústica (Tolerancia K=3dB(A)).....	109,5 dB (A)

Usar protectores auditivos!

Información sobre ruidos K500 S

La presión acústica se eleva normalmente 91 dB (A)

Valores medidos según norma 2005/88/EC al oído del usuario

2005/88/EC: procedimiento de conformidad según Anexo VI. Organismo notificado:

VDE Testing and Certification Institute, Merianstr. 28,

63069 Offenbach, Alemania

Nivel de potencia sonora medido..... 101 dB (A)

Nivel de potencia sonora garantizado..... 104 dB (A)

Usar protectores auditivos!

Informaciones sobre vibraciones

Nivel total de vibraciones (suma vectorial de tres direcciones) determinado según EN 60745.

Taladrar en hormigón:

Valor de vibraciones generadas a_w..... 11,5 m/s²

Tolerancia K=..... 1,5 m/s²

Cincelar

Valor de vibraciones generadas a_w..... 11,5 m/s² 9 m/s²

Tolerancia K=..... 1,9 m/s² 1,9 m/s²

ADVERTENCIA

El nivel vibratorio indicado en estas instrucciones ha sido medido conforme a un método de medición estandarizado en la norma EN 60745, y puede utilizarse para la comparación entre herramientas eléctricas. También es apropiado para una estimación provisional de la carga de vibración.

El nivel vibratorio indicado representa las aplicaciones principales de la herramienta eléctrica. Si, pese a ello, se utiliza la herramienta eléctrica para otras aplicaciones, con útiles adaptables diferentes o con un mantenimiento insuficiente, el nivel vibratorio puede diferir. Esto puede incrementar sensiblemente la carga de vibración durante todo el periodo de trabajo.

Para una estimación exacta de la carga de vibración deberían tenerse en cuenta también los tiempos durante los que el aparato está apagado o, pese a estar en funcionamiento, no está siendo realmente utilizado. Esto puede reducir sustancialmente la carga de vibración durante todo el periodo de trabajo.

Adopte medidas de seguridad adicionales para la protección del operador frente al efecto de las vibraciones, como por ejemplo: mantenimiento de la herramienta eléctrica y de los útiles adaptables, mantener las manos calientes, organización de los procesos de trabajo.

¡ATENCIÓN! Lea atentamente las indicaciones e instrucciones de seguridad. En caso de no atenderse a las advertencias de peligro e instrucciones siguientes, ello puede ocasionar una descarga eléctrica, un incendio y/o lesión grave.
Guardar todas las advertencias de peligro e instrucciones para futuras consultas.

INSTRUCCIONES DE SEGURIDAD PARA TALADRO DE PERCUSIÓN

Utilice protectores de oídos al taladrar con percusión. La exposición a niveles de ruido excesivos puede causar la pérdida de audición.

¡Utilice las empuñaduras auxiliares suministradas con la herramienta! La pérdida de control de la herramienta puede causar accidentes

Sujete el aparato de las superficies aisladas de agarre al efectuar trabajos en los cuales la perforadora de percusión pueda entrar en contacto con conductores de corriente ocultos o con el propio cable. El contacto de la perforadora de percusión con un conductor con energía aplicada también podrá poner bajo tensión partes metálicas del aparato y causar un choque eléctrico.

INSTRUCCIONES ADICIONALES DE SEGURIDAD Y LABORALES

Utilice el equipamiento de protección. Mientras trabaje con la máquina lleve siempre gafas protectoras. Se recomienda utilizar ropa de protección como máscara protectora contra el polvo, guantes protectores, calzado resistente y antideslizante, casco y protección para los oídos.

El polvo que se produce durante estos trabajos puede ser nocivo a la salud; es por ello aconsejable que no penetre al cuerpo. Utilice por ello una máscara protectora contra polvo.

No se deben trabajar materiales que conlleven un riesgo para la salud (por ej. amianto).

¡En caso de que se bloquee el útil, el aparato se debe desconectar inmediatamente! No vuelva a conectar el aparato, mientras el útil esté bloqueado; se podría producir un rechazo debido a la reacción de retroceso brusca. Averigüe y elimine la causa del bloqueo del útil, teniendo en cuenta las indicaciones de seguridad.

Causas posibles para ello pueden ser:

- Atascamiento o bloqueo en la pieza de trabajo
- Rotura del material con el que está trabajando
- Sobrecarga de la herramienta eléctrica

No introduzca las manos en la máquina mientras ésta se encuentra en funcionamiento.

El útil se puede calentar durante el uso.

ADVERTENCIA! Peligro de quemaduras

- en caso de cambiar la herramienta
- en caso de depositar el aparato

Nunca se debe intentar limpiar el polvo o viruta procedente del taladrado con la máquina en funcionamiento.

Mantener siempre el cable separado del radio de acción de la máquina.

Para trabajar en paredes, techo o suelo, tenga cuidado para evitar los cables eléctricos y tuberías de gas o agua.

Fije la pieza de trabajo con un dispositivo de fijación. Las piezas de trabajo no fijadas pueden causar lesiones graves y deterioros.

Desconecte siempre el enchufe antes de llevar a cabo cualquier trabajo en la máquina.

Cuando se trabaje en grandes diámetros, se debe colocar la empuñadura auxiliar en ángulo recto con respecto a la empuñadura principal (ver ilustración, sección (girar la empuñadura"))

APLICACIÓN DE ACUERDO A LA FINALIDAD

K545 S: El martillo es utilizable para todo tipo de taladrados y cincelados en piedras y hormigón.

K500 S: El martillo es utilizable en trabajos de cincelados en piedras y hormigón.

No utilice este producto para ninguna otra aplicación que no sea su uso normal.

DECLARACION DE CONFORMIDAD CE

Declaramos como fabricante y bajo nuestra responsabilidad que el producto descrito bajo "Datos técnicos" está en conformidad con todas las normas relevantes de las directivas 2011/65/UE (RoHS), 2014/30/UE, 2006/42/CE y con las siguientes normas o documentos normalizados:

EN 60745-1:2009+A11:2010

EN 60745-2-6:2010

EN 55014-1:2017+A11:2020

EN 55014-2:2015

EN 61000-3-2:2014

EN 61000-3-3:2013

EN IEC 63000:2018

Winnenden, 2021-01-21

Alexander Krug

Alexander Krug
Managing Director



Autorizado para la redacción de los documentos técnicos.

Techtronic Industries GmbH

Max-Eyth-Straße 10

71364 Winnenden

Germany

CONEXIÓN ELÉCTRICA

Conecte siempre la máquina a una red protegida por interruptor diferencial y magnetotérmico (FI, RCD, PRCD), para su seguridad personal, según normas establecidas para instalaciones eléctricas de baja tensión.

Conectar solamente a corriente AC monofásica y sólo al voltaje indicado en la placa de características. También es posible la conexión a enchufes sin toma a tierra, dado que es conforme a la Clase de Seguridad II.

Asegurarse que la máquina está desconectada antes de enchufarla.

Este es un aparato destinado al empleo profesional el cual puede exceder ligeramente los valores orientativos para armónicas de corriente al efectuar la conexión del mismo a la red pública de baja tensión. Aconsejamos por ello ponerse en caso dado en contacto con la empresa de suministro de energía competente antes de conectar el aparato.

TRABAJOS EN CONDICIONES DE FRÍO

Cuando se almacena la máquina durante un periodo de tiempo largo o a bajas temperaturas es posible que el lubricante se endurezca, pudiendo ocurrir que la máquina no funcione al principio o bien que su potencia sea demasiado baja. Si esto ocurre:

1. Inserte un taladro o un cincel en la máquina.
2. Coloque la máquina sobre una pieza sobrante de hormigón.

3. Accione el interruptor disparador cada par de segundos y suéltelo de nuevo.

Transcurridos entre 15 segundos y 2 minutos, la máquina vuelve a martillar normalmente. Cuando más fría esté la máquina, más durará el calentamiento.

MANTENIMIENTO

Las ranuras de ventilación de la máquina deben estar despejadas en todo momento.

Cuando el martillo ha gastado las escobillas nunca se deberán sustituir! el martillo deberá ser enviado a un servicio técnico oficial para efectuarle un mantenimiento de servicio. De esta única manera queda garantizado el perfecto funcionamiento y duración de la máquina.

Si el cable de conexión a la red estuviera dañado, deberá ser sustituido en un punto de servicio técnico, para evitar situaciones de peligro.

Solo se deben utilizar accesorios y piezas de repuestos Milwaukee. Piezas cuyo recambio no está descrito en las instrucciones de uso, deben sustituirse en un centro de asistencia técnica Milwaukee (Consulte el folleto Garantía/Direcciones de Centros de Asistencia Técnica).

En caso necesario, puede solicitar un despiece de la herramienta. Por favor indique el número de impreso que hay en la etiqueta y pida el despiece a la siguiente dirección: Techtronic Industries GmbH, Max-Eyth-Straße 10, 71364 Winnenden, Germany.

SÍMBOLOS



¡ATENCIÓN! ¡ADVERTENCIA! ¡PELIGRO!



Desconecte siempre el enchufe antes de llevar a cabo cualquier trabajo en la máquina.



Lea las instrucciones detenidamente antes de conectar la herramienta



Accesorio - No incluido en el equipo estándar, disponible en la gama de accesorios.



Los electrodomésticos y las baterías/acumuladores no se deben eliminar junto con la basura doméstica. Los aparatos eléctricos y los acumuladores se deben recoger por separado y se deben entregar a una empresa de reciclaje para una eliminación respetuosa con el medio ambiente. Infórmese en las autoridades locales o en su tienda especializada sobre los centros de reciclaje y puntos de recogida.



Herramienta eléctrica de la clase de protección II. Herramientas eléctricas, en las que la protección contra un choque eléctrico no depende solamente del aislamiento básico sino también de la aplicación de medidas adicionales de protección, como doble aislamiento o aislamiento reforzado. No existe dispositivo para la conexión de un conductor protector.



Marcado de conformidad europeo



Marcado de conformidad británico



Regulatory Compliance Mark (RCM). El producto cumple las normas vigentes



Marcado de conformidad ucraniano



Marcado de conformidad euroasiático

CARACTERÍSTICAS TÉCNICAS	K500 S	K545 S
Número de produção.....	4421 66 04...	4632 71 04...
.....	4421 58 04...	4422 01 04...
.....	4326 06 04...	4421 96 04...
.....	000001-999999	4324 51 04...
.....	1300 W.....	000001-999999
Potência absorvida nominal.....	650 W.....	1300 W
Potência de saída.....	650 W
Nº de rotações em vazio.....	300 min ⁻¹
Velocidade de rotação máxima em carga max.....	300 min ⁻¹
Frequência de percussão em carga.....	2840 min ⁻¹	2840 min ⁻¹
Força de impacto individual conforme EPTA-Procedure 05/2009.....	8,5 J.....	8,5 J
Ø de furo em betão.....	45 mm
Brocas de coroa para tunéis para betão, tijolos e blocos silico-calcário.....	65 mm
Coroa dentada de perfurar para betão, tijolos e blocos silico-calcário.....	100 mm
Ø da gola de aperto.....	66 mm.....	66 mm
Peso nos termos do procedimento-EPTA 01/2014.....	6,3 kg.....	6,7 kg

Informações sobre ruído K545 S

Valores de medida de acordo com EN 60 745.

O nível de ruído avaliado A do aparelho é tipicamente:

Nível da pressão de ruído (Incertez K=3dB(A))..... 98,5 dB (A)

Nível da potência de ruído (Incertez K=3dB(A))..... 109,5 dB (A)

Use protectores auriculares!

Informações sobre ruído K500 S

Normalmente o nível de pressão de ruído da

ferramenta é..... 91 dB (A)

Valor de medição apurado em conformidade com 2005/88/CE junto ao ouvido do utilizador.

2005/88/CE: Procedimento de avaliação da conformidade nos termos do Anexo VI.

Organismo notificado:

VDE Testing and Certification Institute, Merianstr. 28,

63069 Offenbach, Germany

Nível de potência acústica medido..... 101 dB (A)

Nível de potência acústica garantido..... 104 dB (A)

Use protectores auriculares!

Informações sobre vibração

Valores totais de vibração (soma dos vectores das três direcções) determinadas

conforme EN 60745.

Furar em betão:

Valor de emissão de vibração a_w..... 11,5 m/s²

Incerteza K=..... 1,5 m/s²

Trabalho de ponteira

Valor de emissão de vibração a_w..... 11,5 m/s²..... 9 m/s²

Incerteza K=..... 1,9 m/s²..... 1,9 m/s²

ATENÇÃO

O nível vibratório indicado nestas instruções foi medido em conformidade com um procedimento de medição normalizado na EN 60745 e pode ser utilizado para comparar entre si ferramentas eléctricas. O mesmo é também adequado para avaliar provisoriamente o esforço vibratório.

O nível vibratório indicado representa as principais aplicações da ferramenta eléctrica. Se, no entanto, a ferramenta eléctrica for utilizada para outras aplicações, com outras ferramentas adaptadas ou uma manutenção insuficiente, o nível vibratório poderá divergir. Isto pode aumentar consideravelmente o esforço vibratório ao longo de todo o período do trabalho.

Para uma avaliação exacta do esforço vibratório devem também ser considerados os tempos durante os quais o aparelho está desligado ou está a funcionar, mas não está efectivamente a ser utilizado. Isto pode reduzir consideravelmente o esforço vibratório ao longo de todo o período do trabalho.

Defina medidas de segurança suplementares para proteger o operador do efeito das vibrações, como por exemplo: manutenção da ferramenta eléctrica e das ferramentas adaptadas, manter as mãos quentes, organização das sequências de trabalho.

⚠ ADVERTÊNCIA! Leia todas as instruções de segurança e todas as instruções. O desrespeito das advertências e instruções apresentadas abaixo pode causar choque eléctrico, incêndio e/ou graves lesões.
Guarde bem todas as advertências e instruções para futura referência.

⚠ INSTRUÇÕES DE SEGURANÇA PARA A MARTELO ROTATIVO

Use uma protecção dos ouvidos ao usar o berbequim de percussão. Os ruídos podem causar surdez.

Sempre use os punhos adicionais fornecidos com o aparelho. A perda de controlo pode causar feridas.

Segure o aparelho nas superfícies de punho isoladas se estiver a executar trabalhos, nos quais a ferramenta de corte pode tocar em linhas eléctricas escondidas ou no próprio cabo. O contacto da ferramenta de corte com uma linha sob tensão também pode colocar peças metálicas do aparelho sob tensão e levar a um choque eléctrico.

INSTRUÇÕES DE SEGURANÇA E TRABALHO SUPLEMENTARES

Utilizar equipamento de protecção. Durante os trabalhos com a máquina, usar sempre óculos de protecção. Vestuário de protecção, bem como máscara de pó, sapatos fechados e anti-derapante, capacete e protecção auditiva são recomendados.

O pó que resulta ao trabalhar pode ser nocivo para a saúde, por isso não devendo penetrar no corpo. Use uma máscara de protecção contra pó apropriada.

Não devem ser procesados materiais que representem um perigo para a saúde (p. ex. asbesto).

Desligue o aparelho imediatamente, quando a ferramenta de inserção bloquear! Não ligue o aparelho novamente durante o bloqueio da ferramenta de inserção, pois isso pode levar a um recuo repentino com uma alta força reactiva. Verifique e elimine a causa do bloqueio da ferramenta de inserção, observando as instruções de segurança.

Causas possíveis podem ser:

- Emperramento na peça a trabalhar
- Material a processar rompido
- Sobrecarga da ferramenta eléctrica

Não toque na máquina em operação.

A ferramenta de inserção pode ficar quente durante a operação.

ATENÇÃO! Perigo de queimar-se

- na troca das ferramentas
- ao depositar o aparelho

Não remover aparas ou lascas enquanto a máquina trabalha.

Manter sempre o cabo de ligação fora da zona de acção da máquina.

Ao trabalhar em paredes, tectos e soalhos prestar atenção a que não sejam atingidos cabos eléctricos e canalizações de gás e água.

Fixe a peça a trabalhar com um dispositivo de fixação. Peças a trabalhar não fixadas podem levar a feridas graves e danos sérios.

Antes de efectuar qualquer intervenção na máquina, tirar a ficha da tomada.

No caso de grandes diâmetros de furo, o punho adicional tem que ser fixado perpendicularmente ao punho principal. Ver também na parte de imagens, secção "Rodar punho").

UTILIZAÇÃO AUTORIZADA

K545 S: O martelo electro-pneumático tem aplicação universal para trabalhos de furar com percussão e trabalhos de ponteira em pedra e betão.

K500 S: O martelo presta-se a trabalhos de ponteira em pedra e betão.

Não use este produto de outra maneira sem ser a normal para o qual foi concebido.

DECLARAÇÃO DE CONFORMIDADE CE

Como fabricante, declaramos sob responsabilidade exclusiva, que o produto descrito sob "Dados Técnicos" corresponde com todas as disposições relevantes das diretivas 2011/65/UE (RoHS), 2014/30/UE, 2006/42/CE e dos seguintes documentos normativos harmonizados:

EN 60745-1:2009+A11:2010

EN 60745-2-6:2010

EN 55014-1:2017+A11:2020

EN 55014-2:2015

EN 61000-3-2:2014

EN 61000-3-3:2013

EN IEC 63000:2018

Winnenden, 2021-01-21



Alexander Krug
Managing Director



Autorizado a reunir a documentação técnica.

Techtronic Industries GmbH

Max-Eyth-Straße 10

71364 Winnenden

Germany

LIGAÇÃO À REDE

Aparelhos não estacionários, utilizados ao ar livre, devem ser protegidos por um disjuntor de corrente de defeito (FI,RCD,PRCD).

Só conectar à corrente alternada monofásica e só à tensão de rede indicada na placa de potência. A conexão às tomadas de rede sem contacto de segurana também é possível, pois trata-se duma construção da classe de protecção II.

Ao ligar o aspirador à rede, o interruptor deve encontrar-se na posição de desligado.

Este aparelho destina-se à utilização profissional e pode exceder um pouco os valores de orientação para ondas de corrente superiores na conexão à rede pública de baixa tensão. Por isso, eventualmente contacte a sua empresa de abastecimento de energia eléctrica competente antes de conectar o aparelho à rede pública de baixa tensão

TRABALHAR NO FRIO

Se a máquina for armazenada por um período prolongado ou com temperaturas baixas, a lubrificação pode ficar viscosa e é possível que a máquina não funcione no início ou que o desempenho seja muito fraco. Se isso acontecer:

1. Coloque uma broca ou um cinzel na máquina.
2. Coloque a máquina sobre uma peça residual de betão.
3. Prima e solte o botão interruptor em intervalos de poucos segundos.

Depois de 15 segundos a 2 minutos a máquina começa a martelar normalmente. Quanto mais frio a máquina estiver, tanto mais tempo durará o aquecimento.

MANUTENÇÃO

Manter desobstruídos os rasgos de ventilação na carcaça da máquina.

Se as escovas de carvão estão gastas, adicionalmente à mudança das mesmas e ferramenta deve ser submetida a assistência. Isto irá assegurar longo tempo de vida útil bem como constante prontidão da máquina para o trabalho.

Se o cabo de alimentação eléctrica estiver danificado, este deverá ser substituído junto de um serviço de assistência ao cliente dado, que será necessário utilizar ferramentas especiais.

Utilizar unicamente acessórios e peças sobressalentes da Milwaukee. Sempre que a substituição de um componente não tenha sido descrita nas instruções, será de toda a conveniência mandar executar esse trabalho a um Serviço de Assistência Milwaukee (veja o folheto Garantia/Endereços de Serviços de Assistência).

A pedido e mediante indicação da referência que consta da chapa de características da máquina, pode requerer-se um desenho explosivo da ferramenta eléctrica a: Techtronic Industries GmbH, Max-Eyth-Straße 10, 71364 Winnenden, Germany.

SYMBOLS



ATENÇÃO! PERIGO!



Antes de efectuar qualquer intervenção na máquina, tirar a ficha da tomada.



Leia atentamente o manual de instruções antes de colocar a máquina em funcionamento.



Acessório - Não incluído no equipamento normal, disponível como acessório.



Aparelhos eléctricos, baterias/acumuladores não devem ser jogados no lixo doméstico. Os aparelhos eléctricos e as baterias devem ser colectados separadamente e entregues a uma empresa de reciclagem para a eliminação correcta. Solicite informações sobre empresas de reciclagem e postos de colecta de lixo das autoridades locais ou do seu vendedor autorizado.



Ferramenta eléctrica da classe de protecção II. Ferramenta eléctrica, na qual a protecção contra choque eléctrico não só depende do isolamento básico, mas também da aplicação de medidas de protecção suplementares, como isolamento duplo ou reforçado. Não há um dispositivo para a conexão dum condutor de protecção.



Marca de Conformidade Europeia



Marca de Conformidade Britânica



Regulatory Compliance Mark (RCM). O produto satisfaz os regulamentos vigentes.



Marca de Conformidade Ucrariana



Marca de Conformidade Eurasiática

TECHNISCHE GEGEVENS	K500 S	K545 S
Productienummer	4632 71 04...	4422 01 04...
.....	4421 66 04...	4421 58 04...
.....	4421 58 04...	4421 96 04...
.....	4326 06 04...	4324 51 04...
.....	000001-999999	000001-999999
Nominaal afgegeven vermogen.....	1300 W.....	1300 W
Afgegeven vermogen	650 W.....	650 W
Onbelast toerental	300 min ⁻¹	300 min ⁻¹
Belast toerental.....	300 min ⁻¹	300 min ⁻¹
Aantal slagen belast max	2840 min ⁻¹	2840 min ⁻¹
Slagkracht overeenkomstig EPTA-Procedure 05/2009	8,5 J.....	8,5 J
Boor-Ø in beton.....	45 mm.....	45 mm
Tunnel bit in concrete, bricks and limestone	65 mm.....	65 mm
Core cutter in concrete, bricks and limestone	100 mm.....	100 mm
Spanhals-Ø	66 mm.....	66 mm
Gewicht volgens de EPTA-procedure 01/2014.....	6,3 kg.....	6,7 kg

Informatie over geluid K545 S

Meetwaarden vastgesteld volgens EN 60 745.

Het kenmerkende A-gewogen geluidsniveau van de machine bedraagt:

Geluidsdruk niveau (Onzekerheid K=3dB(A))	98,5 dB (A)
Geluidsvermogen niveau (Onzekerheid K=3dB(A))	109,5 dB (A)

Draag oorbeschermers!

Informatie over geluid K500 S

Het kenmerkende A-gewaardeerde geluidsdruk niveau van de machine bedraagt 91 dB (A)

Meetwaarden volgens 2005/88/EG, gemeten bij het oor van de gebruiker.

2005/88/EG: conformiteitsverklaring volgens in bijlage VI benoemd door:

VDE Testing and Certification Institute, Merianstr. 28,

63069 Offenbach, Duitsland.

Gemeten geluidsdruk niveau.....	101 dB (A)
Gegarandeerd geluidsdruk niveau	104 dB (A)

Draag oorbeschermers!

Trillingsinformatie

Totale trillingswaarden (vectorsom van drie richtingebepaald volgens EN 60745.

Hamerboren in beton:

Trillingsemisiewaarde a _w	11,5 m/s ²
Onzekerheid K=.....	1,5 m/s ²

Hakken

Trillingsemisiewaarde a _w	11,5 m/s ²	9 m/s ²
Onzekerheid K=.....	1,9 m/s ²	1,9 m/s ²

WAARSCHUWING

De in deze aanwijzingen vermelde trillingsdruk is gemeten volgens een in EN 60745 genomene meetmethode en kan worden gebruikt voor de onderlinge vergelijking van apparaten. Hij is ook geschikt voor een voorlopige inschatting van de trillingsbelasting.

De aangegeven trillingsdruk geldt voor de meest gebruikelijke toepassingen van het elektrische apparaat. Wanneer het elektrische gereedschap echter voor andere doeleinden, met andere dan de voorgeschreven hulpstukken gebruikt of niet naar behoren onderhouden wordt, kan de trillingsdruk afwijken. Dit kan de waarde van de trillingsdruk over de hele werkperiode aanzienlijk verhogen.

Voor een nauwkeurige inschatting van de trillingsdruk moeten ook de tijden in aanmerking worden genomen dat het apparaat uitgeschakeld is of weliswaar loopt, maar niet werkelijk in gebruik is. Dit kan de waarde van de trillingsdruk over de hele werkperiode aanzienlijk verminderen.

Bepaal extra veiligheidsmaatregelen ter bescherming van de bediener tegen de inwerking van trillingen, bijvoorbeeld: onderhoud van elektrische gereedschappen en apparaten, warmhouden van de handen, organisatie van de werkprocessen.

WAARSCHUWING! Lees alle veiligheidsinstructies en aanwijzingen. Als de waarschuwingen en voorschriften niet worden opgevolgd, kan dit een elektrische schok, brand of ernstig letsel tot gevolg hebben.

Bewaar alle waarschuwingen en voorschriften voor toekomstig gebruik.

VEILIGHEID INSTRUCTIES VOOR BOORHAMER

Draag gehoorbescherming tijdens het klopboren. Lawaai kan gehoorverlies veroorzaken.

Gebruik de bij de machine geleverde zijhandgreep. Verlies aan controle kan tot persoonlijk letsel leiden.

Houd het apparaat alléén aan de geïsoleerde grijpvlakken vast, wanneer u werkzaamheden uitvoert waarbij het snijgereedschap verborgen stroomleidingen of de eigen apparaatkabel zou kunnen raken. Het contact van het snijgereedschap met een spanningvoerende leiding kan de metalen apparaatdelen onder spanning zetten en zo tot een elektrische schok leiden.

VERDERE VEILIGHEIDS- EN WERKINSTRUCTIES

Draag veiligheidsuitrusting. Bij werkzaamheden met de machine dient u altijd een veiligheidsbril te dragen. Veiligheidskleding zoals stofmasker, veiligheidshandschoenen, stevig en slipvast schoeisel, helm en gehoorbescherming worden aanbevolen.

Het gedurende het werken vrijkomende stof is doorgaans schadelijk voor de gezondheid en mag niet met het lichaam in aanraking komen. Draag derhalve een geschikt stofbeschermingsmasker.

Het is niet toegestaan, materialen te bewerken waarvan een gezondheidsgevaar uitgaat (bijv. asbest).

Schakel het apparaat onmiddellijk uit als het gereedschap blokkeert! Schakel het apparaat niet in zolang het gereedschap geblokkeerd is; dit zou een terugslag met een hoog reactiemoment kunnen veroorzaken. Achterhaal en verhelp de oorzaak voor de blokkering van het gereedschap met inachtneming van de veiligheidsinstructies.

Mogelijke oorzaken voor de blokkering:

- kantelen in het te bewerken werkstuk
- doorbreken van het te bewerken materiaal
- overbelasting van het elektrische gereedschap

Grijp niet in de lopende machine.

Het gereedschap kan heet worden tijdens het gebruik.

WAARSCHUWING! Gevaar voor verbranding

- bij het vervangen van het gereedschap
- bij het neerleggen van het apparaat

Spanen of splinters mogen bij draaiende machine niet worden verwijderd.

Snoer altijd buiten werkbereik van de machine houden.

Bij het werken in wanden, plafonds of vloeren oppassen voor elektriciteitsdraden, gas- of waterleidingen.

Borg uw werkstuk met behulp van een spaninrichting. Niet geborgde werkstukken kunnen ernstig letsel en grote schade veroorzaken.

Voor alle werkzaamheden aan de machine de stekker uit de contactdoos trekken.

Bij werken met grote boordiameters dient de extra handgreep in een rechte hoek met de hoofdhandgreep te worden bevestigd (zie tevens illustraties, sectie "Handgreep verdraaien").

VOORGESCHREVEN GEBRUIK VAN HET SYSTEEM

K545 S: De boorhamer is universeel inzetbaar voor hamerboren en hakken in steen en beton.

K500 S: De hamer kan worden toegepast voor hakken in steen en beton.

Dit apparaat uitsluitend gebruiken voor normaal gebruik, zoals aangegeven.

EC - VERKLARING VAN OVEREENSTEMMING

Wij als fabrikant verklaren in uitsluitende verantwoording dat het onder 'Technische gegevens' beschreven product overeenstemt met alle relevante voorschriften van de richtlijnen 2011/65/EU (RoHS), 2014/30/EU, 2006/42/EG en de volgende geharmoniseerde normatieve documenten:

EN 60745-1:2009+A11:2010

EN 60745-2-6:2010

EN 55014-1:2017+A11:2020

EN 55014-2:2015

EN 61000-3-2:2014

EN 61000-3-3:2013

EN IEC 63000:2018

Winnenden, 2021-01-21

Alexander Krug

Alexander Krug
Managing Director



Gemachtigd voor samenstelling van de technische documenten

Techtronic Industries GmbH

Max-Eyth-Straße 10

71364 Winnenden

Germany

NETAANSLUITING

Verplaatsbaar gereedschap moet bij het gebruik buiten aan een aardlekschakelaar (FI, RCD, PRCD) aangesloten worden.

Uitsluitend op éénfase-wisselstroom en uitsluitend op de op het typeplaatje aangegeven netspanning aansluiten. Aansluiting is ook mogelijk op een stekerdoos zonder aardcontact mogelijk, omdat het is ontworpen volgens veiligheidsklasse II.

Machine alleen uitgeschakeld aan de stekkerdoos aansluiten.

Dit is een apparaat voor professioneel gebruik, hetgeen de richtwaarden voor harmonischen bij de aansluiting op het openbare laagspanningsnet minimaal kan overschrijden. Neem daarom vóór de aansluiting van het apparaat op het openbare laagspanningsnet eventueel contact op met het voor u verantwoordelijke nutsbedrijf.

WERKEN BIJ KOU

Als de machine gedurende een langere periode of bij lage temperaturen opgeslagen wordt, kan de smering taai worden. Het kan zijn dat de machine dan in het begin niet functioneert of het vermogen van de machine te gering is. Als dat gebeurt:

1. Plaats een boor of bijtel in de machine.
2. Zet de machine op een reststuk beton.
3. Druk om de paar seconden op de drukschakelaar en laat hem weer los.

Na 15 seconden tot 2 minuten begint de machine weer normaal te hameren. Hoe kouder de machine is, hoe langer het duurt.

ONDERHOUD

Altijd de luchtspleten van de machine schoonhouden.

Belangrijke tip! Versleten koolborstels tijdig door een service-werkplaats laten vervangen. Dit verhoogt de levensduur van de machine en garandeert dat de machine altijd direct klaar is voor gebruik.

Wanneer de netkabel beschadigd is, moet deze door een klantenservice worden vervangen, omdat daarvoor speciaal gereedschap vereist is.

Aleen Milwaukee toebehoren en onderdelen gebruiken. Onderdelen welke niet vermeld worden, kunnen het beste door de Milwaukee servicedienst verwisseld worden (zie Serviceadressen).

Onder vermelding van het nummer op het machineplaatje is desgewenst een doorsnede-tekening van de machine verkrijgbaar bij: Techtronic Industries GmbH, Max-Eyth-Straße 10, 71364 Winnenden, Germany.

SYMBOLEN



OPGELET! WAARSCHUWING! GEVAAR!



Voor alle werkzaamheden aan de machine de stekker uit de contactdoos trekken.



Graag instructies zorgvuldig doorlezen vóórdat u de machine in gebruik neemt.



Toebehoren - Wordt niet meegeleverd. Is apart leverbaar. Zie hiervoor het toebehorenprogramma.



Elektrische apparaten, batterijen en accu's mogen niet via het huisafval worden afgevoerd. Elektrische apparaten en accu's moeten gescheiden worden verzameld en voor een milieuvriendelijke afvoer worden afgegeven bij een recyclingbedrijf. Informeer bij uw gemeente of bij uw vakhandelaar naar recyclingbedrijven en inzamelpunten.



Elektrisch gereedschap van de beschermingsklasse II. Elektrisch gereedschap waarbij de bescherming tegen elektrische schokken niet afhankelijk is van de basisisolatie, maar waarin ook extra veiligheidsmaatregelen worden toegepast zoals dubbele of versterkte isolatie. Er is geen voorziening voor de aansluiting van een aardleiding.



Europees symbool van overeenstemming



Brits symbool van overeenstemming



Regulatory Compliance Mark (RCM). Het product voldoet aan de van toepassing zijnde voorschriften.



Oekraïens symbool van overeenstemming



Euro-Aziatisch symbool van overeenstemming

TEKNISKE DATA	K500 S	K545 S
Produktionsnummer	4421 66 04...	4632 71 04...
.....	4421 58 04...	4422 01 04...
.....	4326 06 04...	4421 96 04...
.....	000001-999999	4324 51 04...
.....	1300 W.....	000001-999999
Nominal optagen effekt.....	650 W.....	1300 W
Afgiven effekt.....	650 W
Omdrejningstal, ubelastet.....	300 min ⁻¹
Omdrejningstal max., belastet.....	300 min ⁻¹
Slagantal belastet max.....	2840 min ⁻¹	2840 min ⁻¹
Enkelt slagstyrke iht. EPTAProcedure 05/2009.....	8,5 J.....	8,5 J
Bør-ø i beton	45 mm
Tunnelbor i beton, tegl og kalksandsten.....	65 mm
Hulborekrone i beton, tegl og kalksandsten.....	100 mm
Halsdiameter	66 mm.....	66 mm
Vægt svarer til EPTA-procedure 01/2014.....	6,3 kg.....	6,7 kg

Støjinformation K545 S

Måleværdier beregnes iht. EN 60 745.

Værktøjets A-vurderede støjniveau er typisk:

Lydtrykniveau (Usikkerhed K=3dB(A))..... 98,5 dB (A)

Lydeffekt niveau (Usikkerhed K=3dB(A))..... 109,5 dB (A)

Brug høreværn!

Støjinformation K500 S

Værktøjets A-vægtede lydtrykniveau er typisk 91 dB (A)

Målt værdi i.h.t. 2005/88/EF på brugerens øre.

2005/88/EF: Konformitetsvurdering i.h.t. bilag VI. Sted:

VDE Testing and Certification Institute, Merianstr. 28,

63069 Offenbach,

Germany

Målt lydeffektniveau..... 101 dB (A)

Garanteret lydeffektniveau 104 dB (A)

Brug høreværn!

Vibrationsinformation

Samlede vibrationsværdier (værdisum for tre retninger) beregnet iht. EN 60745.

Hammerboring i beton:

Vibrationseksponering a_h..... 11,5 m/s²

Usikkerhed K=..... 1,5 m/s²

Mejsle

Vibrationseksponering a_h..... 11,5 m/s²..... 9 m/s²

Usikkerhed K=..... 1,9 m/s²..... 1,9 m/s²

ADVARSEL

Svingsningsniveauet, som er angivet i disse anvisninger, er målt i henhold til standardiseret måleprocedure ifølge EN 60745 og kan anvendes til indbyrdes sammenligning mellem el-værktøjer. Svingsningsniveauet er ligeledes egnet som foreløbigt skøn over svingsningsbelastningen.

Det angivne svingsningsniveau er baseret på el-værktøjets primære anvendelsesformål. Hvis el-værktøjet benyttes til andre formål, med andet indsatsværktøj eller ikke vedligeholdes tilstrækkeligt, kan svingsningsniveauet afvige. Dette kan øge svingsningsbelastningen over den samlede arbejdsperiode betydeligt.

For en nøjagtig vurdering af svingsningsbelastningen skal der også tages højde for de tidsperioder, hvor apparatet er slukket, eller hvor apparatet kører, men uden at være i anvendelse. Dette kan reducere svingsningsbelastningen over den samlede arbejdsperiode betydeligt.

Supplerende sikkerhedsforanstaltninger til beskyttelse af brugeren mod påvirkninger fra svingninger skal iværksættes, f.eks.: Vedligeholdelse af el-værktøj og indsatsværktøj, varmholdelse af hænder, organisering af arbejdsprocesser.

ADVARSEL! Læs alle sikkerhedsinformationer og instruktioner. I tilfælde af manglende overholdelse af advarsels henvisningerne og instrukserne er der risiko for elektrisk stød, brand og/eller alvorlige kvæstelser.

Opbevar alle advarsels henvisninger og instrukser til senere brug.

SIKKERHEDSANVISNINGER FOR BOREHAMMER

Brug høreværn under slagboring. Støjen kan føre til nedsat hørelse.

Brug de ekstra håndtag, som følger med apparatet. Hvis kontrollen mistes, kan det medføre personskade.

Hold maskinen fast i de isolerede gribeblader, når du udfører arbejde, hvor der er risiko for, at skæreværktøjet kan ramme skjulte strømledninger eller værktøjets egen ledning. Kommer skæreværktøjet i kontakt med en strømførende ledning, kan maskinens metaldele komme under spænding og give elektrisk stød.

YDERLIGERE SIKKERHEDS- OG ARBEJDSINFORMATIONER

Brug beskyttelsesudstyr. Bær altid sikkerhedsbriller, når du arbejder med maskinen. Vi anbefaler desuden brug af personlig beskyttelsesudrustning, såsom støvmaske, sikkerhedshandsker, fast og skridsikkert skotøj, hjelm og høreværn.

Støv, som opstår under arbejdet, er ofte sundhedsfarligt og bør ikke trænge ind i kroppen. Benyt egnet åndedrætsværn.

Der må ikke bearbejdes nogen materialer, der kan udgøre en sundhedsrisiko (f.eks. asbest).

Sluk straks for maskinen, hvis indsatsværktøjet er blokeret! Tænd ikke for maskinen igen, så længe indsatsværktøjet er blokeret; dette kan føre til et tilbageslag med højt reaktionsmoment. Find frem til og afhjælp årsagen til indsatsværktøjets blokering under hensyntagen til sikkerhedsinstruktionerne.

Mulige årsager hertil kan være:

- at det sidder i klemme i emnet der bearbejdes
- at det har brækket materialet der bearbejdes
- at el-værktøjet er overbelastet

Grib ikke ind i maskinen, når den kører.

Indsatsværktøjet kan blive varmt under brugen.

ADVARSEL! Fare for forbrændinger

- ved værktøjsskift
- når man lægger maskinen fra sig

Spåner eller splinter må ikke fjernes, medens maskinen kører.

Tilslutningskablet holdes hele tiden væk fra maskinens arbejdsområde. Kablet ledes altid bort bag om maskinen.

Ved arbejdsboring i væg, loft eller gulv skal man passe på elektriske kabler, gas- og vandledninger.

Sørg for at sikre dit emne med en spåndeanordning. Ikke sikrede emner kan forårsage alvorlige kvæstelser og beskadigelser.

Før ethvert arbejde ved maskinen skal stikket tages ud af stikdåsen.

Ved store borediametre skal ekstrahåndtaget fastgøres i en ret vinkel til hovedhåndtaget. Se også i billeddelen, afsnit "Håndtag drejes".

TILTÆNKT FORMÅL

K545 S: Borehammeren kan bruges universelt til hammerboring og mejsling i sten og beton.

K500 S: Hammeren kan benyttes til mejsling i sten og beton.

Produktet må ikke anvendes på anden måde og til andre formål end foreskrevet.

CE-KONFORMITETSERKLÆRING

Vi erklærer som producent og eneansvarlig, at produktet, der er beskrevet under "Tekniske data", er i overensstemmelse med alle relevante bestemmelser i henhold til direktivene 2011/65/EU (RoHS), 2014/30/EU, 2006/42/EF og nedenstående harmoniserede normative dokumenter:

EN 60745-1:2009+A11:2010

EN 60745-2-6:2010

EN 55014-1:2017+A11:2020

EN 55014-2:2015

EN 61000-3-2:2014

EN 61000-3-3:2013

EN IEC 63000:2018

Winnenden, 2021-01-21

Alexander Krug

Alexander Krug
Managing Director



Autoriseret til at udarbejde de tekniske dokumenter.

Techtronic Industries GmbH

Max-Eyth-Straße 10

71364 Winnenden

Germany

NETTILSLUTNING

Stikdåser udenørs skal være forsynet med fejlstrømsikringskontakter (FI, RCD, PRCD). Det forlanger installationsforskriften for Deres elektroanlæg. Overhold dette, når De bruger vores maskiner.

Tilslutning må kun foretages til enfasnet vekselstrøm og kun til en netspænding, som er i overensstemmelse med angivelsen på mærkepladen. Tilslutning kan også ske til stikdåser uden beskyttelseskontakt, da kapslingsklasse II foreligger.

Tilslut kun maskine til stikdåsen i slukket tilstand.

Dette er en enhed til professionel brug, der kan overskride standardværdierne for strøm ved tilslutning til den offentlige netspænding ubejdeligt. Kontakt derfor elektricitetværket, inden enheden tilsluttes til det offentlige lavspændingsnet.

ARBEJDE I KULDE

Hvis maskinen ikke har været i brug i en længere periode eller opbevaret ved lave temperaturer, kan smøringen blive hård, og det kan forekomme, at maskinen ikke virker til at begynde med, eller at maskinens ydeevne er for lav. Hvis det sker:

1. Sæt et bor eller en mejsel i maskinen.
2. Placer maskinen med boret eller mejslen på et stykke beton.
3. Tænd og sluk for start-/stop-knappen med nogle sekunders mellemrum.

Efter mellem 15 sekunder og 2 minutter begynder maskinen at hamre normalt. Jo koldere maskinen er, jo længere tid tager opvarmningen.

VEDLIGEHOLDELSE

Hold altid maskinens ventilationsåbninger rene.

I forbindelse med udskitning af nedslidte kul anbefales det, at maskinen indsendes til et autoriseret serviceværksted for almindelig service-check. Det giver optimal sikkerhed for altid funktionsdygtig maskine og lang levetid.

Hvis nettilslutningsledningen bliver beskadiget, skal den udskiftes hos kompetent kundeservice, idet dette kræver specielt værktøj.

Brug kun Milwaukee tilbehør og reservedele. Lad de komponenter, hvis udskitning ikke er blevet beskrevet, udskifte hos Atlas Copco service (se kundeserviceadresser).

Ved opgivelse af type nr. der er angivet på maskinens effektskilt, kan de rekvirere en reservedelstegning, ved henvendelse til: Techtronic Industries GmbH, Max-Eyth-Straße 10, 71364 Winnenden, Germany.

SYMBOLER



VIGTIGT! ADVARSEL! FARE!



Før ethvert arbejde ved maskinen skal stikket tages ud af stikdåsen.



Læs brugsanvisningen nøje før ibrugtagning.



Tilbehør - Ikke inkluderet i leveringsomfanget, køb købes som tilbehør.



Elektrisk udstyr eller (genopladelige) batterier må ikke bortskaffes sammen med det almindelige husholdningsaffald. Elektrisk udstyr og genopladelige batterier skal indsamles særskilt og afleveres hos en genbrugsvirksomhed til en miljømæssig forsvarlig bortskaffelse. Spørg de lokale myndigheder eller din forhandler om genbrugsstationer og indsamlingssteder til sådant affald.



Kapslingsklasse II elværktøj. Elværktøj, hvor beskyttelsen mod et elektrisk stød ikke kun afhænger af basisisoleringen men også af, at der anvendes yderligere beskyttelsesforanstaltninger som dobbelt isolering eller forstærket isolering. Der findes ikke udstyr til tilslutning af en beskyttelsesleder.



Europæisk konformitetsmærke



Britisk konformitetsmærke



Regulatory Compliance Mark (RCM). Produktet opfylder de gældende bestemmelser.



Ukrainsk konformitetsmærke



Eurasisk konformitetsmærke

TEKNISKE DATA	K500 S	K545 S
Produksjonsnummer.....	4421 66 04.....	4632 71 04.....
.....	4421 58 04.....	4422 01 04.....
.....	4326 06 04.....	4324 51 04.....
.....	000001-999999	000001-999999
Nominell inngangseffekt.....	1300 W.....	1300 W
Avgitt effekt.....	650 W.....	650 W
Tomgangsturtall.....	300 min ⁻¹	300 min ⁻¹
Lastturtall maks.....	300 min ⁻¹	300 min ⁻¹
Lastslagstall maks.....	2840 min ⁻¹	2840 min ⁻¹
Enkeltslagstyrke tilsvarende EPTA-Procedure 05/2009.....	8,5 J	8,5 J
Bor-ø i betong.....	45 mm	45 mm
Tunnelbor i betong, tegl og kalkstein.....	65 mm	65 mm
Hulborkrone i betong, tegl og kalkstein.....	100 mm	100 mm
Spennhals-ø.....	66 mm	66 mm
Vekt i henhold til EPTA-Prosedyren 01/2014.....	6,3 kg	6,7 kg

Støyinformasjon K545 S

Måleverdier fastslått i samsvar med EN 60 745.

Det typiske A-bedømte støynivået for maskinen er:

Lydtryknivå (Usikkerhet K=3dB(A)).....	98,5 dB (A)
Lydeffektnivå (Usikkerhet K=3dB(A)).....	109,5 dB (A)

Bruk hørselsvern!

Støyinformasjon K500 S

Det A-bedømte lydnivået til maskinen er:..... 91 dB (A)

Måle verdi beregnet i henhold til 2005/88/EF ved brukerens øre.

2005/88/EF: Samsvarsevalueringsspross i henhold til vedlegg VI. Nevnt kontor:

VDE Testing and Certification Institute, Merianstr. 28, 63069 Offenbach, Tyskland

Målt lydeffektnivå.....	101 dB (A)
Garantert lydeffektnivå.....	104 dB (A)

Bruk hørselsvern!

Vibrasjonsinformasjoner

Totale svingningsverdier (vektorsum fra tre retninger) beregnet jf. EN 60745.

Hammerboring i betong:

Svingningsemissjonsverdi a _w	11,5 m/s ²
Usikkerhet K=.....	1,5 m/s ²

Meisling

Svingningsemissjonsverdi a _w	11,5 m/s ²	9 m/s ²
Usikkerhet K=.....	1,9 m/s ²	1,9 m/s ²

ADVARSEL

Svingningsnivået som er angitt i denne instruksjonen er målt i overensstemmelse med målemetoden normert i direktiv EN 60745 og kan brukes til å sammenligne elektromaskiner med hverandre. Den egner seg også for en foreløbig vurdering av svingningsbelastningen.

Det angitte svingningsnivået representerer de hovedsaklige bruk av elektroverktøyet. Men anvendes elektroverktøyet for andre bruk med avvikende utskiftbare verktøy eller vedlikeholdet er utilstrekkelig, kan svingningsnivået være avvikende.

Dette kan forhøye svingningsbelastning betydelig over hele arbeidsperioden. For en nøyaktig vurdering av svingningsbelastningen må også det tas hensyn til tiden apparatet er avslått eller står på, men ikke er i bruk. Dette kan redusere svingningsbelastningen betydelig over hele arbeidsperioden.

Innfør også ekstra sikkerhetstiltak for å beskytte bruker mot utvirkningen av svingningene. Disse kan f.eks. være: vedlikehold av elektroverktøyet og det utskiftbare verktøyet, holde hendene varme, organisasjon av arbeidsforløpet.

A OBS! Les alle sikkerhetsinstruksjoner og bruksanvisninger. Feil ved overholdelsen av advarslene og nedenstående anvisninger kan medføre elektriske støt, brann og/eller alvorlige skader.

Ta godt vare på alle advarslene og informasjonene.

A SIKKERHETSINSTRUKSJONER FOR BORHAMMER

Bruk hørselsvern ved bruk av slagboret. Støy kan føre til tap av hørselen.

Bruk de med apparatet medleverte tileggshandtak. Tap av kontrollen kan føre til skader.

Hold apparatet i de isolerte holdeflatene, når det arbeides på steder hvor elektroverktøyet kan treffe skjulte strømledninger eller verktøyets egen kabel. Kontakt med en ledning som er under spenning, kan også sette metalldele til apparatet under spenning og føre til et elektrisk slag.

YTTERLIGE SIKKERHETS- OG ARBEIDSINSTRUKSJONER

Bruk vernebekledning. Ta alltid på vernebrille ved bruk av maskinen. Vernebekledning så vel som støvmaske, vernehansker, fast og sklisikkert skotøy, hjem og hørselsvern er anbefalt.

Støvet som oppstår ved arbeidet er ofte helsefarlig og skal ikke komme i kontakt med kroppen. Bruk derfor vernemaske som er egnet for støv.

Materialer som er helsefarlig skal ikke bearbeides (f.eks.. asbest)

Slå av apparatet med en gang dersom det isatte verktøyet er blokkert! Ikke slå apparatet på igjen så lenge det isatte verktøyet er blokkert; her kan det oppstå et tilbakeslag med høyt reaksjonsmoment. Finn ut hvorfor det isatte verktøyet blokkerer og fjern årsaken til dette. Ta herved hensyn til sikkerhets instruksene.

Mulige årsaker til dette kan være:

- det har forkantet seg i arbeidsemnet som bearbeides
- det har brekt igjennom materialet som bearbeides
- elektroverktøyet er overbelastet

Ikke grip inn i maskinen når den står på og går.

Isatt verktøy kan i bruk bli veldig varmt.

ADVARSEL! Fare for forbrønning

- ved skifting av verktøy
- når apparatet legges ned

Spon eller fliser må ikke fjernes mens maskinen er i gang.

Hold ledningen alltid vekk fra maskinens virkeområde. For ledningen alltid bakover fra maskinen.

Pass på kabler, gass- og vannledninger når du arbeider i vegger, tak eller gulv.

Klem fast arbeidsemnet med en spenninnetning. Ikke sikre arbeidsemner kan ha alvorlige helseskader og skader av material til følge.

Trekk støpslet ut av stikkkontakten før du begynner arbeider på maskinen.

Ved store borediametere må ekstrahåndtaket være festet i rett vinkel til hovedhåndtaket. Se også bildedelen, avsnitt "Vri håndtaket").

FORMALSMESSIG BRUK

K545 S: Borhammeren kan brukes universelt til hammerboring og meisling i steinarter og betong.

K500 S: Hammeren kan brukes for meisling i steinarter og betong.

Dette apparatet må kun brukes til de oppgitte formål.

CE-SAMSVARSERKLÆRING

Vi erklærer under eget ansvar at produktet som beskrives under «Tekniske data» samsvarer med alle relevante forskrifter i direktivene 2011/65/EU (RoHS), 2014/30/EF, 2006/42/EF og de følgende harmoniserte normative dokumentene:

EN 60745-1:2009+A11:2010

EN 60745-2-6:2010

EN 55014-1:2017+A11:2020

EN 55014-2:2015

EN 61000-3-2:2014

EN 61000-3-3:2013

EN IEC 63000:2018

Winnenden, 2021-01-21



Alexander Krug
Managing Director



Autorisert til å utarbeide den tekniske dokumentasjonen

Teichtron Industries GmbH

Max-Eyth-Straße 10

71364 Winnenden

Germany

NETTILKOPLING

Stikkontakter utendørs må være utstyrt med feilstrøm-sikkerhetsbryter (FI, RCD, PRCD). Dette forlanges av installasjonsforskriften for elektroanlegg. Vennligst følg dette når du bruker vårt apparat.

Skal bare tilsluttes enfasvekselstrøm og bare til den på skiltet angitte nettspenning. Tilslutning til stikkontakter uten jordet kontakt er mulig fordi beskyttelse beskyttelsesklasse II er forhanden.

Påse at maskinen er slått av når du setter inn netstøpslet i stikkkontakten.

Dette er et apparat for profesjonell bruk som kan overskride retningslinjene for overharmoniske spenninger ubetydelig ved tilkobling til det offentlige lavspenningsnettet. Kontakter derfor det vedkommende elektrisitetsverket i slike tilfelle for tilkobling til det offentlige lavspenningsnettet.

ARBEID I KULDE

Dersom maskinen lagres over et lengre tidsrom eller ved lave temperaturer, kan smørestoffet bli seigt, og det er mulig at maskinen da ikke arbeider til å begynne med, eller ytelsen er for liten. Hvis dette skjer:

1. Sett en bor eller meisel inn i maskinen.
2. Sett maskinen på et reststykke betong.
3. Betjen trykknappen en gang hvert 2-3 sekund, og slipp den igjen.

Etter 15 sekunder til 2 minutter begynner maskinen å hamre normalt. Jo kaldere maskinen er, desto lengre tid tar det å varme den opp.

VEDLIKEHOLD

Hold alltid lufteåpningene på maskinen rene.

Når kullbørstene er slitte bør det i tillegg til at disse skiftes ut gjennomføres en service i et serviceverksted. Dette forlenger maskinens levetid og garanterer en stadig driftsberedskap.

Er det skade på nett-kabelen, må den skiftes av kundeservice, fordi det behøves spesialverktøy.

Bruk kun Milwaukee tilbehør og reservedeler. Komponenter der utskifting ikke er beskrevet skal skiftes ut hos Milwaukee kundeservice (se brosjyre garanti/kundeserviceadresser).

Ved behov kan du be om en eksplosjonstegning av apparatet hos din kundeservice eller direkte hos Teichtron Industries GmbH, Max-Eyth-Straße 10, 71364 Winnenden, Germany. Oppgi maskintype og det nummeret på typeskiltet.

SYMBOLER



OBS! ADVARSEL! FARE!



Trekk støpslet ut av stikkkontakten før du begynner arbeider på maskinen.



Les nøye gjennom bruksanvisningen før maskinen tas i bruk.



Tilbehør - inngår ikke i leveransen, anbefalt komplettering fra tilbehørsprogrammet.



Elektriske apparater, batterier/oppladbare batterier skal ikke kastes sammen med vanlig husholdningsavfall. Elektriske og elektroniske apparater og oppladbare batterier skal samles separat og leveres til miljøvennlig deponering hos en avfallsbedrift. Informer deg hos myndighetene på stedet eller hos din fagforhandler hvor det finnes recycling bedrifter og oppsamlingssteder.



Elektroverktøy av verneklasse II. Elektroverktøy hvor beskyttelse mot elektrisk slag ikke bare er avhengig av basisisoleringen, men som også er avhengig av at tilleggs vermetiltak som dobbelt eller forsterket isolering blir brukt. Det finnes ingen innretning for tilkobling av en beskyttelsesleder.



Europeisk samsvarmerke



Britisk samsvarmerke



Regulatory Compliance Mark (RCM). Produktet oppfyller gjeldende forskrifter.



Ukrainsk samsvarmerke



Euroasiatisk samsvarmerke

TEKNISKA DATA	K500 S	K545 S
Produktionsnummer	4421 66 04...	4632 71 04...
.....	4421 58 04...	4422 01 04...
.....	4326 06 04...	4324 51 04...
.....	000001-999999	000001-999999
Nominell upptagen effekt	1300 W	1300 W
Uteffekt	650 W	650 W
Obelastat varvtal.....	300 min ⁻¹	300 min ⁻¹
Belastat varvtal.....	300 min ⁻¹	300 min ⁻¹
Belastat slagtal max.....	2840 min ⁻¹	2840 min ⁻¹
Enkelslagstyrka enligt EPTA Procedure 05/2009	8,5 J	8,5 J
Borrdiam. in betong	45 mm	45 mm
Tunnelboring i betong, tegel och kalksandsten	65 mm	65 mm
Borrkronor i betong, tegel och kalksandsten	100 mm	100 mm
Maskinhals diam.	66 mm	66 mm
Vikt enligt EPTA 01/2014	6,3 kg	6,7 kg

Bullerinformation K545 S

Mätvärdena har tagits fram baserade på EN 60 745.

A-värdet av maskinens ljudnivå utgör:

Ljudtrycksnivå (Onoggrannhet K=3dB(A)).....	98,5 dB (A)
Ljudeffektsnivå (Onoggrannhet K=3dB(A)).....	109,5 dB (A)

Använd hörselskydd!

Bullerinformation K500 S

A-värdet av maskinens ljudtrycksnivå är 91 dB (A)

Värdet uppmätt enligt 2005/88/EG vid operatörens öra.

2005/88/EG: Förfarande för att säkerställa överensstämmelsen enligt bilaga VI.

Anmält organ:

VDE Testing and Certification Institute, Merianstr. 28,
63069 Offenbach, Germany

Uppmätt ljudtrycksnivå.....	101 dB (A)
Garanterad ljudtrycksnivå.....	104 dB (A)

Använd hörselskydd!

Vibrationsinformation

Totala vibrationsvärden (vektorsumma ur tre riktningar) framtaget enligt EN 60745.

Hammarboring i betong:

Vibrationsemissionsvärde a _w	11,5 m/s ²
Onoggrannhet K=.....	1,5 m/s ²

Mejsla	
Vibrationsemissionsvärde a _w	11,5 m/s ² 9 m/s ²
Onoggrannhet K=.....	1,9 m/s ² 1,9 m/s ²

WARNING

Den i de här anvisningarna angivna vibrationsnivån har uppmätts enligt ett i EN 60745 normerat mätförfarande och kan användas vid jämförelse mellan olika elverktyg. Nivån är även lämplig att använda vid en preliminär bedömning av vibrationsbelastningen.

Den angivna vibrationsnivån representerar den huvudsakliga användningen av det aktuella elverktyget. Men om elverktyget ska användas i andra användningsområden, tillsammans med avvikande insatsverktyg eller efter otillräckligt underhåll, kan vibrationsnivån skilja sig. Det kan öka vibrationsbelastningen betydligt under hela arbetstiden.

För att få en exaktare bedömning av vibrationsbelastningen ska även den tid beaktas, under vilken elverktyget är avstängt eller är påslaget, utan att det verkligen används. Det kan reducera vibrationsbelastningen betydligt under hela arbetstiden.

Lägg som skydd för användaren fast extra säkerhetsåtgärder mot vibrationernas verkan, som till exempel: underhåll av elverktyg och insatsverktyg, varmhållning av händer och organisering av arbetsflöpp.

WARNING! Läs all säkerhetsinformation och alla anvisningar. Fel som uppstår till följd av att anvisningarna nedan inte följts kan orsaka elstöt, brand och/eller allvariga kroppsskador.

Förvara alla varningar och anvisningar för framtida bruk.

SAKERHETSINSTRUKTIONER FÖR BORRHAMMARE

Använd alltid hörselskydd när du använder en slagborrmaskin. Buller kan leda till att du förlorar hörseln.

Använd de extrahandtag som levereras tillsammans med maskinen. Förlust av kontrollen kan leda till personskador.

Håll fast apparaten med hjälp av de isolerade greppytorna när du utför arbeten där arbetsverktyget skulle kunna träffa på dolda elledningar eller kablar. Om man kommer i kontakt med en spänningsförande ledning, så kan även de delar på verktyget som är av metall bli spänningsförande och leda till att man får en elektrisk stöt.

ÖVRIGA SÄKERHETS- OCH ANVÄNDNINGSSINSTRUKTIONER

Använd skyddsutrustning. Använd alltid skyddsglasögon när du använder maskinen. Som skyddsutrustning rekommenderar vi t ex en dammskyddsmask, skyddshandskar, stabila och halksäkra skor, hjälm och hörselskydd.

Det damm som bildas under arbetets gång är ofta hälsofarligt och det ska inte komma in i kroppen. Bär därför lämplig skyddsmask.

Det är inte tillåtet att bearbeta material som kan vara hälsovärdigt (t.ex. asbest).

Stäng av maskinen omedelbart om ett verktyg som används sitter fast! Sätt sedan inte på maskinen igen så länge som verktyget som används fortfarande sitter fast; risk för okontrollerade slag med högt reaktionsmoment. Ta reda på orsaken varför verktyget fastnade och åtgärda orsaken med hänsyn till säkerhetsanvisningarna.

Möjliga orsaker kan vara:

- Verktyget sitter snett i arbetsstycket
- Verktyget går igenom materialet som bearbetas

• Elverktyget är överbelastat

Gå aldrig med händerna in i en maskin som är igång.

Verktyget som används kan bli mycket varmt under användningen.

WARNING! Risk för brännskador

- vid verktygsbyte
- när man lägger ifrån sig maskinen

Avlägsna aldrig spån eller flisor när maskinen är igång.

Nätkabeln skall alltid hållas ifrån arbetsområdet. Lägg kabeln bakåt i förhållande till arbetsriktningen.

Vid arbetenboring i vägg, tak eller golv, var alltid observant på befintliga el-, gas- eller vattenledningar.

Säkra arbetsstycket med en fastspänningsanordning. Arbetsstycken som inte är ordentligt fastspända kan leda till allvarig kroppsskada eller annan skada.

Drag alltid ur kontakten när du utför arbeten på maskinen.

När du arbetar med stora borrdiametrar, måste du montera extrahandtaget på höger sida (se illustrationer, avdelning "vrida handtaget").

ANVÄND MASKINEN ENLIGT ANVISNINGARNA

K545 S: Borrhammaren kan universell användas för hammarboring och mejsling i sten och betong.

K500 S: Hammaren kan användas till mejsling i sten och betong.

Maskinen får endast användas för angiven tillämpning.

CE-FÖRSÄKRAN

Vi som tillverkare intygar och ansvarar för att den produkt som beskrivs under "Tekniska data" överensstämmer med alla relevanta bestämmelser i direktiv 2011/65/EU (RoHS), 2014/30/EU, 2006/42/EG och följande harmoniserade normerande dokument:

EN 60745-1:2009+A11:2010

EN 60745-2-6:2010

EN 55014-1:2017+A11:2020

EN 55014-2:2015

EN 61000-3-2:2014

EN 61000-3-3:2013

EN IEC 63000:2018

Winnenden, 2021-01-21

Alexander Krug

Alexander Krug
Managing Director

Befullmäktigad att sammanställa teknisk dokumentation.

Techtronic Industries GmbH
Max-Eyth-Straße 10
71364 Winnenden
Germany

NÄTANSLUTNING

Anslut alltid verktyget till via en felströmbrytare (FI, RCD, PRCD) vid användning utomhus.

Får endast anslutas till 1-fas växelström och till den spänning som anges på dataskylden. Anslutning kan även ske till eluttag utan skyddskontakt, eftersom konstruktionen motsvarar skyddsklass II.

Maskinen skall vara fränslagen när kontakten anslutes till vägguttaget.

Detta verktyg är avsett för professionell användning och kan i viss mån överskrida riktvärdena för strömöverspänningar vid anslutning till det allmänna lågspänningsnätet. Därför rekommenderas att kontakta det lokala elbolaget innan verktyget ansluts till det allmänna lågspänningsnätet.

ARBETEN I KYLA

När maskinen lagras under en längre tid eller vid låga temperaturer kan smörjningen bli seg och det kan hända att maskinen inte arbetar till en början eller att prestandan är för låg. Om detta händer:

1. Sätt i en borr eller en mejsel i maskinen.
2. Placera maskinen på en restbit av betong.
3. Tryck på avtryckaren med ett par sekunders mellanrum och släpp den sedan.

Efter 15 sekunder upp till 2 minuter börjar maskinen arbeta normalt. Ju kallare maskinen är desto längre tid dröjer uppvärmningen.

SKÖTSEL

Se till att motorhöljets luftslitsar är rena.

Viktigt! I samband med kolbyten är en översyn på serviceverkstad att rekommendera. Detta för att höja maskinens livslängd och garantera ytterligare driftsäkerhet.

Om nätkabeln är skadad, måste den bytas ut på en godkänd serviceverkstad, då det krävs specialverktyg för detta.

Använd endast Milwaukee tillbehör och reservdelar. Reservdelar vars utbyte ej beskrivs byts bäst av Milwaukee auktoriserad serviceverkstad (se broschyr Garanti/Kundtjänstadresser).

Vid behov av sprängskiss, kan en sådan, genom att uppges maskinens art. nr. (som finns på typskylten) erhållas från: Techtronic Industries GmbH, Max-Eyth-Straße 10, 71364 Winnenden, Germany.

SYMBOLER

	OBSERVERA! WARNING! FARA!
	Drag alltid ur kontakten när du utför arbeten på maskinen.
	Läs instruktionen noga innan du startar maskinen.
	Tillbehör - Ingår ej i leveransomfånget, erhålles som tillbehör.
	Elektriska maskiner, batterier/uppladdningsbara batterier och får inte slängas tillsammans med de vanliga hushållsoporna. Elektriska maskiner och uppladdningsbara batterier ska samlas separat och lämnas till en avfallsstation för miljövänlig avfallshantering. Kontakta den lokala myndigheten respektive kommunen eller fråga återförsäljare var det finns speciella avfallsstationer för elskrot.
	Elverktyg skyddsklass II. Elverktyg hos vilket skyddet mot elstöt är inte bara är avhängigt av basisoleringen utan också av att det finns extra skyddsåtgärder, som en dubbel isolering eller en förstärkt isolering. Det finns ingen anordning för anslutning av en skyddsledare.
	Europeiskt konformitetsmärke
	Britiskt konformitetsmärke
	Regulatory Compliance Mark (RCM). Produkten uppfyller kraven i de gällande föreskrifterna.
	Ukrainskt konformitetsmärke
	Euroasiatiskt konformitetsmärke

TEKNISET ARVOT	K500 S	K545 S
Tuotantnumero	4632 71 04...	4632 71 04...
.....	4421 66 04...	4422 01 04...
.....	4421 58 04...	4421 96 04...
.....	4326 06 04...	4324 51 04...
.....	000001-999999	000001-999999
Nimellinen teho	1300 W	1300 W
Antoteho	650 W	650 W
Kuormittamaton kierros-luku	300 min ⁻¹	300 min ⁻¹
Kuormitettu kierros-luku maks.	300 min ⁻¹	300 min ⁻¹
Kuormitettu iskutaajuus maks.	2840 min ⁻¹	2840 min ⁻¹
Kiinnitysiskun voimakkuus vastaa EPTA-Procedure 05/2009	8,5 J	8,5 J
Poran ø betoniin	45 mm	45 mm
Tunnelipora betoniin, tilen ja kalkin poraukseen	65 mm	65 mm
Kruunupora betoniin, tilen ja kalkin poraukseen	100 mm	100 mm
Kiinnityskaulan ø	66 mm	66 mm
Paino EPTA-menettelyn 01/2014 mukaan	6,3 kg	6,7 kg

Melunpäästötiedot K545 S

Mitta-arvot määritetty EN 60 745 mukaan.	
Koneen tyypillinen A-luokitettu melutaso:	
Melutaso (Epävarmuus K=3dB(A))	98,5 dB (A)
Äänenvoimakkuus (Epävarmuus K=3dB(A))	109,5 dB (A)

Käytä kuulosuojaimia!

Melunpäästötiedot K500 S

Yleensä työkalun A-luokan melutaso	91 dB (A)
Arvot mitattu 2005/88/EG perusteella käyttäjän korvan kohdalla.	
2005/88/EG: Yhdenmukaisuuden arviointiprosessi liitteen VI mukaan.	
Vastaava organisaatio:	
VDE Testing and Certification Institute, Merianstr. 18,	
63069 Offenbach, Saksa	
Mittattu äänenvoiman taso	101 dB (A)
Taattu äänenvoiman taso	104 dB (A)

Käytä kuulosuojaimia!

Tärinätiedot

Värähtelyn yhteisarvot (kolmen suunnan vektorisummitattuna EN 60745 mukaan.	
Vasaraoporaukseen, betoniin:	
Värähtelyemissioarvo a _h	11,5 m/s ²
Epävarmuus K=	1,5 m/s ²
taltaus	
Värähtelyemissioarvo a _h	11,5 m/s ²
Epävarmuus K=	1,9 m/s ²

VAROITUS

Näissä ohjeissa mainittu värähtelytaso on mitattu EN 60745 -standardin mukaisella mittausmenetelmällä ja sitä voidaan käyttää sähkötyökalujen vertaamiseen. Sitä voidaan käyttää myös värähtelyrasituksen väliaikaiseen arviointiin.

Mainittu värähtelytaso edustaa sähkötyökalun pääasiallista käyttöä. Jos sähkötyökalua kuitenkin käytetään muihin tehtäviin, poikkeavin työkaluin tai riittämättömästi huoltaen, värähtelytaso voi olla erilainen. Se voi korottaa värähtelyrasitusta koko työajan osalta.

Tarkan värähtelyrasituksen toteamiseen tulee ottaa huomioon aika, jona laite on kytketty pois tai on kylläkin päällä, mutta ei käytössä. Se voi pienentää värähtelyrasitusta koko työajan osalta.

Määrille lisäturvatoimenpiteitä käyttäjän suojaamiseksi värinöiden vaikutukselta, kuten esimerkiksi: sähkötyökalujen ja käyttötyökalujen huolto, käsien lämpimän pitäminen, työväihden organisaatio.

VAROITUS! Lue kaikki turvallisuusmääräykset ja ohjeet.
Turvallisuusohjeiden noudattamisen laiminlyönti saattaa johtaa sähköiskuun, tulipaloon ja/tai vakavaan loukkaantumiseen.
Säilytä kaikki turvallisuus- ja muut ohjeet tulevaisuutta varten.

VAROITUS! PORAVASARA TURVALLISUUSMÄÄRÄYKSET

Käytä kuulosuojaimia iskuoporattaessa. Melulle altistuminen voi heikentää kuuloa.

Käytä koneen mukana toimitettua apukahvaa. Koneen hallinnan menetykset saattavat aiheuttaa henkivahinkoja.

Pitele laitetta vain eristetyistä tarttumapinnoista, kun suoritat sellaisia töitä, joissa leikkaustyökalu saattaa osua piilossa oleviin sähköjohtoihin tai omaan liitäntäjohtoon. Leikkaustyökalun yhteys jännitteeseen johtoon saattaa tehdä laitteen metalliset osat jännitteellisiksi ja aiheuttaa sähköiskun.

TÄYDENTÄVIÄ TURVALLISUUSMÄÄRÄYKSIÄ JA TYÖSKENTELYOHJEITA

Käytä suojavarusteita. Käytä aina suojalaseja käyttäesssi konetta. Suosittelemme suojavarusteiden käyttöä, näihin kuuluvat pölysuojanaamari, työkasineet, tukevat, luistamattomat jalkineet, kypärä ja kuulosuojukset.

Koneen käytöstä aiheutuva pöly ja jäte voi olla haitallista terveydelle eikä sen vuoksi tulisi päästä kosketukseen ihon kanssa. Koneella työskennellessä on käytettävä sopivaa suojainta.

Terveydellisiä vaaroja aiheuttavien materiaalien (esim. asbestin) työstäminen on kielletty.

Jos käytetty työkalu juuttuu kiinni, sammuta laite heti! Älä kytkä laitetta uudelleen päälle työkalun ollessa vielä kiinni juuttuneena, koska tästä saattaa aiheutua voimakas takaisku. Selvitä työkalun juuttumisen syy ja poista syy turvallisuusmääräyksiä noudattaen.

- Mahdollisia syitä voivat olla:
- työkalun vinoutuminen työstökappaleessa
 - työstetyn materiaalin puhkaiseminen
 - sähkötyökalun ylikuormitus

Älä tartu käynnissä olevan koneen työosiin.

Käytetty työkalu saattaa kuumeta käytön aikana.

VAROITUS! Palovamman vaara

- työkalua vaihdettaessa
- laitetta pois laskettaessa

Lastuja tai puruja ei saa poistaa koneen käydessä.

Pidä sähköjohto poissa koneen käyttöalueelta. Siirrä se aina taakseen.

Varo seinään, kattoon tai lattiaan porattaessa osumasta sähköjohtoon, kaasu- ja vesijohtoihin.

Varmista työstökappaleesi kiinnityslaitteella paikalleen. Varmistamattomat työstökappaleet saattavat aiheuttaa vakavia vammoja ja vaurioita.

Irrota aina pistotulppa seinäkoskettimesta ennen koneeseen tehtäviä toimenpiteitä.

Suuret poranhalkaisijat edellyttävät, että tukikädensija on suorassa kulmassa pääkädensijaan nähden (katso kuvaa, osassa "Kädensijan kiertäminen".

TARKOITUKSEN MUKAINEN KÄYTTÖ

K545 S: Porasava soveltuu yleiseen kivensoraukseen ja -talltaukseen, ja betoniin.

K500 S: Vasara soveltuu yleiseen kiventalltaukseen, ja betoniin.

Älä käytä tuotetta ohjeiden vastaisesti.

TODISTUS CE-STANDARDIN MUKAISUUDESTA

Vakuutamme valmistajan ominaisuudessa yksinvastuullisesti, että kohdassa "Tekniset tiedot" kuvattu tuote vastaa kaikkia sitä koskevia direktiivien 2011/65/EU (RoHS), 2014/30/EU, 2006/42/EE määräyksiä sekä seuraavia harmonisointia standardisoivia asiakirjoja:

EN 60745-1:2009+A11:2010
EN 60745-2-6:2010
EN 55014-1:2017+A11:2020
EN 55014-2:2015
EN 61000-3-2:2014
EN 61000-3-3:2013
EN IEC 63000:2018

Winnenden, 2021-01-21

Alexander Krug
Managing Director



Valtuutettu kokoamaan tekniset dokumentit.

Techtronic Industries GmbH
Max-Eyth-Straße 10
71364 Winnenden
Germany

VERKKOLIITÄNTÄ

Ulkoikäkäytössä olevat pistorasiat on varustettava vikavirta-suojajakytkimillä (FI, RCD PRCD) sähkölaitteisto asennusmääräyksen mukaisesti. Muista tarkistaa, että laite liitetään ulkoikäkäytössä ulkopistorasiaan ja neuvottele asiasta sähköasentajasi kanssa.

Yhdistä ainoastaan yksivaiheiseen vaihtovirtaan, jonka verkkojännite on sama kuin tyyppikilvessä ilmoitettu. Myös liittäminen maadoittamattomiin pistorasioihin on mahdollista, sillä rakenne vastaa turvallisuusluokkaa II.

Laitteen käynnistyskytkin on oltava 0- asennossa, kun tulppa työnnetään pistorasiaan.

Tämä laite on tarkoitettu ammattikäyttöön, ja se saattaa ylittää virran korkeimpien yliaaltojen viitearvot vähäisessä määrin, kun se liitetään julkiseen pienjänniteverkkoon. Ota tämän vuoksi tarvittaessa yhteyttä paikalliseen energianjakelyritykseen ennen laitteen liittämistä julkiseen pienjänniteverkkoon.

TYÖSKENTELY KYLMÄSSÄ

Jos konetta säilytetään pitemmän aikaa tai alhaisissa lämpötiloissa, niin voitelu voi jäähdyttää eikä kone ehkä voi aluksi toimia tai sen teho on liian vähäinen. Jos näin käy:

- Pane poranterä tai taltta koneeseen.
- Aseta kone betonin jäämäpalan päälle.
- Toimenna katkaisinpainike aina parin sekunnin välein ja päästä se jälleen irti.

15 sekunnin - 2 minuutin kuluttua kone alkaa toimia normaalisti. Mitä kylmempi kone on, sitä pitempään kestää sen lämpeneminen.

HUOLTO

Pidä moottorin ilmanottoaukot puhtaina.

Hiiltenvaihdon lisäksi jotkut muutkin huoltoimenpiteet saattavat olla tarpeen. Koneen pitkän kestoian ja luotettavan toimintavalmiuden turvaamiseksi, suosittelemme näissä tapauksissa kääntymistä valtuutetun huoltokorjaamon puoleen.

Jos verkkoliitäntäjohto on vioittunut, niin huoltopalvelun täytyy vaihtaa se uuteen, koska vain heillä on tähän tarvittavat erikoistyökalut.

Käytä vain Milwaukeen lisälaitteita ja varaosia. Käytä ammattilaittoisten Milwaukeen-huoltosopimusliikkeiden palveluja muiden kuin käyttöohjeessa kuvattujen osien vaihdossa. (esite takuu/huoltoliikeluettelo).

Tarpeen vaatiessa voit pyytää lähettämään laitteen kokoonpano-irustuksen ilmoittamalla arvokilven numeron seuraavasta osoitteesta: Techtronic Industries GmbH, Max-Eyth-Straße 10, 71364 Winnenden, Germany.

SYMBOLIT



HUOMIO! VAROITUS! VAARA!



Irrota aina pistotulppa seinäkoskettimesta ennen koneeseen tehtäviä toimenpiteitä.



Lue käyttöohjeet huolellisesti, ennen koneen käynnistämistä.



Lisälaitte - Ei sisälly vakiovarustukseen, saatavana lisätarvikkeena.



Sähkölaitteita, paristoja/akkuja ei saa hävittää yhdessä kotitalousjätteiden kanssa. Sähkölaitteet ja akut tulee kerätä erikseen ja toimittaa kierrätysliikkeeseen ympäristöystävällistä hävittämistä varten. Pyydä paikallisilta viranomaisilta tai alan kauppiailta tarkemmat tiedot kierrätyspisteistä ja keräyspaikoista.



Suojaluokan II sähkötyökalu. Sähkötyökalu, jonka sähköiskunsuojaus ei ole riippuvainen ainoastaan peruseristyksestä, vaan myös siitä, että käytetään lisäturvatoimia, kuten kaksinkertaista eristystä tai vahvistettua eristystä. Laitteessa ei ole suojaajtimen liittämiseen tarvittavia varusteita.



Euroopan säännönmukaisuusmerkki



Britannian säännönmukaisuusmerkki



Regulatory Compliance Mark (RCM). Tuote on pätevien ohjesääntöjen mukainen.



Ukrainan säännönmukaisuusmerkki



Euraasian säännönmukaisuusmerkki

ΤΕΧΝΙΚΑ ΣΤΟΙΧΕΙΑ	K500 S	K545 S
Αριθμός παραγωγής.....	4421 66 04.....	4632 71 04.....
.....	4421 58 04.....	4422 01 04.....
.....	4326 06 04.....	4421 96 04.....
.....	000001-999999	4324 51 04.....
.....	1300 W.....	000001-999999
Ονομαστική ισχύς.....	650 W.....	1300 W
Αποδιδόμενη ισχύς.....	650 W
Αριθμός στροφών χωρίς φορτίο.....	300 min ⁻¹
Μέγιστος αριθμός στροφών με φορτίο.....	300 min ⁻¹
Μέγιστος αριθμός κρούσεων με φορτίο.....	2840 min ⁻¹	2840 min ⁻¹
Ισχύς μεμονωμένης κρούσης κατά EPTA-Procedure 05/2009.....	8,5 J.....	8,5 J
θ τρύπας σε σκυρόδεμα (μπeton).....	45 mm
Τρυπάνι τούβλα σε μπeton, κεραμίδια και ασβεστολιθικό θαμμίτη.....	65 mm
Κορώνα κούλου τρυπανιού σε μπeton, κεραμίδια και ασβεστολιθικό θαμμίτη.....	100 mm
θ λαμίου σύσφιξης.....	66 mm.....	66 mm
Βάρος σύμφωνα με τη διαδικασία EPTA 01/2014.....	6,3 kg.....	6,7 kg

Πληροφορίες θορύβου K545 S

Τιμές μέτρησης εξακριβωμένες κατά EN 60 745.

Η σύμφωνα με την καμπύλη A εκτιμηθείσα στάθμη θορύβου του μηχανήματος αναφέρεται σε:

.....	98,5 dB (A)
.....	109,5 dB (A)

Φοράτε προστασία ακοής (ωασιπίδες)!

Πληροφορίες θορύβου K500 S

Τυπική Α αξιολογημένη στάθμη θορύβου:..... 91 dB (A)

Η τιμή μέτρησης υπολογίστηκε σύμφωνα με το 2005/88/ΕΚ στο αυτί του χρήστη. 2005/88/ΕΚ: Μέθοδος αξιολόγησης συμμόρφωσης σύμφωνα με το παράρτημα VI.

Ονομαζόμενη υπηρεσία:
VDE Testing and Certification Institute, Merianstr. 28,
63069 Offenbach, Germany

.....	101 dB (A)
.....	104 dB (A)

Φοράτε προστασία ακοής (ωασιπίδες)!

Πληροφορίες δονήσεων

Υλικές τιμές κραδασμών (άθροισμα διανυσμάτων τριών διευθύνσεων) εξακριβώθηκαν σύμφωνα με τα πρότυπα EN 60745.

Τρόπηση. Σκυρόδεμα (μπeton):

.....	11,5 m/s ²
.....	1,5 m/s ²

.....	11,5 m/s ²	9 m/s ²
.....	1,9 m/s ²	1,9 m/s ²

ΠΡΟΕΙΔΟΠΟΙΗΣΗ

Το αναφερόμενο σ' αυτές τις οδηγίες επίπεδο δονήσεων έχει μετρηθεί με μια τυποποιημένη σύμφωνα με το EN 60745 μέθοδο μέτρησης και μπορεί να χρησιμοποιηθεί για τη σύγκριση των ηλεκτρικών εργαλείων μεταξύ τους. Αυτό είναι επίσης κατάλληλο για μια προσωρινή εκτίμηση της επιβάρυνση των δονήσεων.

Το αναφερόμενο επίπεδο δονήσεων αντιπροσωπεύει τις κύριες χρήσεις του ηλεκτρικού εργαλείου. Εάν όμως το ηλεκτρικό χρησιμοποιείται σε άλλες χρήσεις, με διαφορετικά εργαλεία εφαρμογής ή ανεπαρκή συντήρηση, μπορεί να υπάρξει απόκλιση του επιπέδου δονήσεων. Αυτό μπορεί να αυξήσει σημαντικά την επιβάρυνση των δονήσεων για τη συνολική διάρκεια της εργασίας

Για μια ακριβή εκτίμηση της επιβάρυνσης των δονήσεων οφείλουν επίσης να λαμβάνονται υπόψη οι χρόνοι, στους οποίους η συσκευή είναι απενεργοποιημένη ή είναι μεν ενεργοποιημένη αλλά δεν χρησιμοποιείται πραγματικά. Αυτό μπορεί να μειώσει σημαντικά την επιβάρυνση των δονήσεων για τη συνολική διάρκεια της εργασίας.

Καθορίζετε πρόσθετα μέτρα ασφαλείας για την προστασία του χειριστή από την επίδραση των δονήσεων όπως για παράδειγμα: Συντήρηση του ηλεκτρικού εργαλείου και των εργαλείων εφαρμογής, διατηρείτε ζεστά τα χέρια, οργάνωση των διαδικασιών εργασίας.

⚠ ΠΡΟΣΟΧΗ! Διαβάστε όλες τις οδηγίες ασφαλείας και τις οδηγίες χρήσεως.

Αμείψεις κατά την τήρηση των προειδοποιητικών υποδείξεων μπορεί να προκαλέσουν ηλεκτροπληξία, κίνδυνο πυρκαγιάς ή/και σοβαρούς τραυματισμούς.

Φυλάξτε όλες τις προειδοποιητικές υποδείξεις και οδηγίες για κάθε μελλοντική χρήση.

⚠ ΟΔΗΓΙΕΣ ΑΣΦΑΛΕΙΑΣ ΓΙΑ ΠΕΡΙΣΤΡΟΦΙΚΟ ΠΙΣΤΟΛΕΤΟ

Κατά την κρουστική διάτρηση φοράτε ωασιπίδες. Η επίδραση του θορύβου μπορεί να προκαλέσει απώλεια ακοής.

Χρησιμοποιείτε με τη συσκευή τις προμηθευμένες πρόσθετες χειρολαβές. Η απώλεια ελέγχου μπορεί να οδηγήσει σε τραυματισμό.

Να πιάνετε τη συσκευή στις μονωμένες χειρολαβές όταν εκτελείτε εργασίες κατά τις οποίες τα κοπτικά εργαλεία θα μπορούσαν να πέσουν επάνω σε κρυμμένα καλώδια ρεύματος ή στο δικό της καλώδιο. Η επαφή των κοπτικών εργαλείων με αγώγιμο τροφοδοσία τάσης μπορεί να θέσει τα μεταλλικά τμήματα της συσκευής υπ' όσταση και να προκαλέσει ηλεκτροπληξία.

ΠΕΡΑΙΤΕΡΟ ΟΔΗΓΙΕΣ ΑΣΦΑΛΕΙΑΣ ΚΑΙ ΧΡΗΣΕΩΣ

Χρησιμοποιείτε προστατευτικό εξοπλισμό. Κατά την εργασία με τη μηχανή φοράτε πάντα προστατευτικά γυαλιά. Συνιστούμε επίσης προστατευτική ενδυμασία όπως επίσης μάσκα προστασίας αναπνοής, προστατευτικά γάντια, σταθερά και ασφαλή στην ολίσθηση υποδήματα, κράνος και ωασιπίδες.

Η σκόνη που δημιουργείται κατά την εργασία είναι συχνά επιβλαβής για την υγεία και δεν επιτρέπεται να έλθει στο σώμα. Να φοράτε κατάλληλη μάσκα προστασίας από σκόνη.

Μην επεξεργάζεστε επικίνδυνα για την υγεία υλικά (π.χ. αμιάντος).

Σε περίπτωση μπλοκαρισματος της αριδας απενεργοποιείτε αμέσως τη συσκευή! Μην ενεργοποιείτε εκ νέου τη συσκευή όσο η αριδα είναι μπλοκαρισμένη. Σ' αυτή τη περίπτωση θα μπορούσε να προκληθεί υψηλή ροπή αντίδρασης. Βρείτε την αιτία του μπλοκαρισματος της αριδας και ξεμπλοκαρέτε την λαμβάνοντας υπόψη τις οδηγίες ασφαλείας.

Πιθανές αιτίες:

- Η αριδα μάγκωσε με το προς κατεργασία κομμάτι.
- Σπάσιμο του προς κατεργασία υλικού.
- Υπερφόρτωση του ηλεκτρικού εργαλείου.

Μην απλώνετε τα χέρια σας στην επικίνδυνη περιοχή της μηχανής όταν είναι σε λειτουργία.

Η θερμοκρασία της αριδας μπορεί να φτάσει σε υψηλά επίπεδα κατά τη λειτουργία.

ΠΡΟΕΙΔΟΠΟΙΗΣΗ! Κίνδυνος εγκαύματος

- κατά την αλλαγή εργαλείου (αριδας)
- κατά την απόθεση της συσκευής

Τα νύχια ή οι σκλήθρες δεν επιτρέπεται να απομακρύνονται όσο η μηχανή βρίσκεται σε λειτουργία.

Κρατάτε το καλώδιο σύνδεσης πάντοτε μακριά από την περιοχή δράσης της μηχανής. Περνάτε το καλώδιο πάντοτε πίσω από τη μηχανή.

Κατά τις εργασίες σε τσίρο, οροφή ή δάπεδο προσέχετε για τυχόν ηλεκτρικά καλώδια και για σωλήνες αερίου και νερού.

Ασφαλίστε το προς κατεργασία κομμάτι στη μέγνηη ή με μια άλλη διάταξη στερέωσης. Μη ασφαλισμένα προς κατεργασία κομμάτια μπορεί να προκαλέσουν σοβαρούς τραυματισμούς και ζημιές.

Πριν από κάθε εργασία στη μηχανή τραβάτε το φως από την πρίζα.

Σε μεγάλες διαμέτρους διάτρησης πρέπει η συμπληρωματική χειρολαβή να στερεωθεί με ορθή γωνία προς την κύρια χειρολαβή. (Βλέπε επίσης στην εικόνα, τμήμα "Περιεστρωθή χειρολαβής").

ΧΡΗΣΗ ΣΥΜΦΩΝΑ ΜΕ ΤΟ ΣΚΟΠΟ ΠΡΟΟΡΙΣΜΟΥ

K545 S: Το περιστροφικό πιστολέτο μπορεί να χρησιμοποιηθεί γενικά για κρουστικό τρύπημα και καλέμωμα σε πετρώματα.

K500 S: Το πιστολέτο πιστολέτο μπορεί να χρησιμοποιηθεί για κρουστικό τρύπημα και καλέμωμα σε πετρώματα.

Αυτή η συσκευή επιτρέπεται να χρησιμοποιηθεί μόνο σύμφωνα με τον αναφερόμενο σκοπό προορισμού.

ΔΗΛΩΣΗ ΠΙΣΤΟΤΗΤΑΣ ΕΚ

Ως κατασκευαστής δηλώνουμε υπεύθυνα ότι το προϊόν που περιγράφεται στο κεφάλαιο «Τεχνικά Χαρακτηριστικά» είναι συμβατό με όλες τις σχετικές διατάξεις των Κοινοτικών Οδηγιών 2011/65/EU (RoHS), 2014/30/EE (EMC), 2006/42/EEK και τα ακόλουθα εναρμονισμένα κανονιστικά έγγραφα:

EN 60745-1:2009+A11:2010

EN 60745-2-6:2010

EN 55014-1:2017+A11:2020

EN 55014-2:2015

EN 61000-3-2:2014

EN 61000-3-3:2013

EN IEC 63000:2018

Winnenden, 2021-01-21

Alexander Krug

Alexander Krug
Managing Director

Εξουσιοδοτημένος να συντάξει τον τεχνικό φάκελο.

Techtronic Industries GmbH

Max-Eyth-Strasse 10

71364 Winnenden

Germany

ΣΥΝΔΕΣΗ ΣΤΟ ΗΛΕΚΤΡΙΚΟ ΔΙΚΤΥΟ

Οι πρίζες στους εξωτερικούς χώρους πρέπει να είναι εξοπλισμένες με μικροαυτόματος διακόπτες προστασίας (FI, RCD, PRCD). Αυτό απαιτεί ο σχετικός κανονισμός από την ηλεκτρική σας εγκατάσταση. Προσέξτε παρακαλώ αυτό το σημείο κατά τη χρήση της συσκευής μας.

Συνδέστε μόνο σε μονοφασικό εναλλασσόμενο ρεύμα και μόνο σε τάση δικτύου όπως αναφέρεται στην πινακίδα τεχνικών χαρακτηριστικών. Η σύνδεση είναι επίσης επιφική σε πρίζες χωρίς προστασία επαφής, διότι έχει προβλεφθεί εξοπλισμός κατηγορίας προστασίας II.

Συνδέστε τη συσκευή στην πρίζα μόνο όταν είναι απενεργοποιημένη.

Αυτό είναι ένα εργαλείο για επαγγελματική χρήση, το οποίο μπορεί να υπερβεί ελαφρώς τις ενδεικτικές τιμές για αμონικές ρεύματος κατά τη σύνδεση στο δημόσιο δίκτυο χαμηλής τάσης. Για το λόγο αυτό πριν από τη σύνδεση του εργαλείου στο δημόσιο δίκτυο χαμηλής τάσης έρχεστε σε επαφή κατά περίπτωση με την αρμόδια δημόσια επιχείρηση ηλεκτρισμού.

ΕΡΓΑΣΙΕΣ ΜΕ ΚΡΥΟ

Σε περίπτωση που αποθηκεύεται το μηχάνημα για μεγάλο χρονικό διάστημα σε χαμηλές θερμοκρασίες, μπορεί να γίνεται η λίπανση πολύ παχυρρευστη κι αρχικά να μην εργάζεται το μηχάνημα ή να έχει πολύ χαμηλή ισχύ. Όταν συμβεί αυτό:

1. Τοποθετείτε ένα τρυπάνι ή καλέμι στο μηχάνημα.
2. Θέτετε το μηχάνημα πάνω σ' ένα απομεινάρει σκυροδέματος.
3. Πιέζετε τη σκανδάλη κάθε δυο δευτερολέπτα και την αφήνετε πάλι ελεύθερη.

Μετά από 15 δευτερολέπτα έως 2 λεπτά αρχίζει το μηχάνημα να σφυροκοπεί κανονικά. Όσο πιο κρύο είναι το μηχάνημα, τόσο περισσότερο διαρκεί το ζεσταμα.

ΣΥΝΤΗΡΗΣΗ

Διατηρείτε πάντοτε τις σχισμές εξερισμού της μηχανής καθαρές.

Σε περίπτωση που οι ψήκτρες (καρβουνάκια) είναι φθαρμένες πρέπει εκτός της αλλαγής τους να εκτελεστεί και ένα σέρβις σε ένα συμβεβλημένο συνεργείο. Αυτό μεγαλώνει τη διάρκεια ζωής της μηχανής και εγγυάται μια συνεχή ετοιμότητα λειτουργίας.

Όταν έχει υποστεί ζημιά το καλώδιο ηλεκτρικής σύνδεσης, πρέπει αυτό να αντικατασταθεί σε μια υπηρεσία τεχνικής υποστήριξης πελατών, διότι απαιτείται ειδικό εργαλείο.

Χρησιμοποιείτε μόνο εξαρτήματα και ανταλλακτικά της Milwaukee. Αναθέστε την αλλαγή των εξαρτημάτων, των οποίων η αντικατάσταση δεν έχει περιγραφεί, σ' ένα κέντρο σέρβις της Milwaukee (προσέξτε το εγχειρίδιο Εγγύηση/Διευθύνσεις εξυπηρέτησης πελατών).

Όταν χρειάζεται, μπορείτε να ζητήσετε ένα σχέδιο συναρμολόγησης της συσκευής, δίνοντας τον τύπο της μηχανής και αριθμό στην πινακίδα ισχύος, από το κέντρο σέρβις ή απευθείας από τη γερμανική Techtronic Industries GmbH, Max-Eyth-Strasse 10, 71364 Winnenden, Germany.

ΣΥΜΒΟΛΑ



ΠΡΟΣΟΧΗ! ΠΡΟΕΙΔΟΠΟΙΗΣΗ! ΚΙΝΔΥΝΟΣ!



Πριν από κάθε εργασία στη μηχανή τραβάτε το φως από την πρίζα.



Παρακαλώ διαβάστε σχολαστικά τις οδηγίες χρήσης πριν από την έναρξη λειτουργίας.



Εξαρτήματα - Δεν περιλαμβάνονται στα υλικά παράδοση, συνιστούμενη προσθήκη από το πρόγραμμα εξαρτημάτων.



Ηλεκτρικά μηχανήματα, μπαταρίες/συσσωρευτές δεν επιτρέπεται να απορριπτούν μαζί με τα οικιακά απορρίμματα. Ηλεκτρικά μηχανήματα και συσσωρευτές συλλέγονται ξεχωριστά και παραδίδονται προς ανακύκλωση με τρόπο φιλικό προς το περιβάλλον σε επιχείρηση επεξεργασίας απορριμμάτων. Ενημερωθείτε από τις τοπικές υπηρεσίες ή από ειδικευμένους πόρους σχετικά με κέντρα ανακύκλωσης και συλλογής απορριμμάτων.



Ηλεκτρικό εργαλείο κατηγορίας ασφαλείας II. Ηλεκτρικό εργαλείο στο οποίο η προστασία από ηλεκτροπληξία δεν εξαρτάται μόνο από την βασική μόνωση αλλά και από συμπληρωματικά μέτρα ασφαλείας όπως διπλή ή ενισχυμένη μόνωση. Δεν υπάρχει εξοπλισμός για να συνδεθεί με την γείωση.



Ευρωπαϊκό σήμα πιστότητας



Βρετανικό σήμα πιστότητας



Regulatory Compliance Mark (RCM). Το προϊόν τηρεί τις ισχύουσες προδιαγραφές.



Ουκρανικό σήμα πιστότητας



Ευρασιατικό σήμα πιστότητας

TEKNİK VERİLER	K500 S	K545 S
Üretim numarası	4421 66 04...	4632 71 04...
.....	4421 58 04...	4422 01 04...
.....	4326 06 04...	4324 51 04...
.....	000001-999999	000001-999999
Giriş gücü	1300 W	1300 W
Çıkış gücü	650 W	650 W
Boştaki devir sayısı	300 min ⁻¹	300 min ⁻¹
Yükteki maksimum devir sayısı	300 min ⁻¹	300 min ⁻¹
Yükteki maksimum darbe sayısı	2840 min ⁻¹	2840 min ⁻¹
EPTA-Procedure 05/2009'a göre tek darbe kuvveti	8,5 J	8,5 J
Delme çapı beton	45 mm	45 mm
Beton, tuğla ve kireçli kum taşında tünel açıcı	65 mm	65 mm
Beton, tuğla ve kireçli kum taşında buat uçları	100 mm	100 mm
Germe boyunu çapı	66 mm	66 mm
Ağırlığı ise EPTA-üretici 01/2014'e göre	6,3 kg	6,7 kg

Gürültü bilgileri K545 S

Ölçüm değerleri EN 60 745 e göre belirlenmektedir.

Aletin, frekansa bağımlı uluslararası ses basıncı seviyesi değerlendirme eğrisi A'ya göre tipik gürültü seviyesi:

Ses basıncı seviyesi (Tolerans K=3dB(A))	98,5 dB (A)
Akustik kapasite seviyesi (Tolerans K=3dB(A))	109,5 dB (A)

Koruyucu kulaklık kullanın!

Gürültü bilgileri K500 S

Aletin A değerlendirilmeli gürültü seviyesi tipik olarak şu değerdedir: 91 dB (A)

Ölçme değeri 2005/88/AB hükümlerine göre kullanıcının kulağına gelen ses olarak belirlenmiştir.

2005/88/AB: Ek VI'ya göre uygunluk değerlendirme yöntemi. Yetkili merci: VDE Testing and Certification Institute, Merianstr. 28, 63069 Offenbach, Almanya

Ölçülen gürültü emisyonu seviyesi	101 dB (A)
Garanti edilen gürültü emisyonu seviyesi	104 dB (A)

Koruyucu kulaklık kullanın!

Vibrasyon bilgileri

Toplam titreşim değeri (üç yönün vektör toplamı) EN 60745'e göre belirlenmektedir:

Delme, beton:

Titreşim emisyon değeri a _w	11,5 m/s ²
Tolerans K=	1,5 m/s ²

Kesikleme

Titreşim emisyon değeri a _w	11,5 m/s ²	9 m/s ²
Tolerans K=	1,9 m/s ²	1,9 m/s ²

UYARI

Bu talimatlarda belirtilen titreşim seviyesi, EN 60745 standardına uygun bir ölçme metodu ile ölçülmüştür ve elektrikli el aletleri birbiriyle karşılaştırmak için kullanılabilir. Ölçüm sonuçları ayrıca titreşim yükünün geçici değerlendirilmesi için de uygundur.

Belirtilen titreşim seviyesi, elektrikli el aletinin genel uygulamaları için geçerlidir. Ancak elektrikli el aleti başka uygulamalar için, farklı eklenti parçalarıyla ya da yetersiz bakım koşullarında kullanılırsa, titreşim seviyesi farklılık gösterebilir. Bu durumda, titreşim yükü toplam çalışma zaman aralığı içerisinde belirgin ölçüde yükselebilir.

Titreşim yükünün tam bir değerlendirmesi için ayrıca cihazın kapalı olduğu süreler ve cihazın çalışır durumda olduğu, ancak gerçek kullanımda bulunmadığı süreler de dikkate alınmalıdır. Böylelikle, toplam çalışma zamanı aralığı boyunca meydana gelen titreşim yükü belirgin ölçüde azaltılabilir.

Kullanıcıyı titreşimlerin etkisinden korumak üzere, örneğin elektrikli el aletlerinin ve eklenti parçalarının bakımı, ellerin sıcak tutulması ve iş akışlarının organizasyonu gibi ek güvenlik tedbirleri belirleyiniz.

⚠ UYARI! Bütün güvenlik notlarını ve talimatları okuyunuz.

Açıklanan uyarılara ve talimat hükümlerine uyulmadığı takdirde elektrik çarpmalarına, yangınlara ve/veya ağır yaralanmalara neden olunabilir.

Bütün uyarıları ve talimat hükümlerini ileride kullanmak üzere saklayın.

⚠ MATKAP ÇEKİCİ İLİŞKİN GÜVENLİK UYARILARI

Tepmeli matkap olarak işleme için koruma cihazı taşıyınız. Gürültü etkisi işleme kaybını etkiler.

Alette birlikte teslim edilen ek tutamakları kullanın. Aletin kontrolden çıkması kazalara neden olabilir.

Kesme aletinin eğrilmiş elektrik kabloları veya kendi kablosuna isabet eden çalışmalar yapılırken cihazı izole edilmiş kollarından tutun. Kesme aletinin içinden elektrik akımı geçen kablo ile temas etmesi durumunda elektrik akımı cihazın metal kısımlarına geçer ve elektrik çarpmasına sebebiyet verebilir.

EK GÜVENLİK VE ÇALIŞMA TALİMATLARI

Koruma teçhizatı kullanın.Makinada çalışırken devamlı surette koruyucu gözlük takın. Koruyucu elbise ve tozlardan korunma maskesi, emniyet eldivenleri ve sağlam ve kaymaya mukavim ayakkabı giyin. Başlık ve kulaklık tavsiye edilir.

Çalışma sırasında ortaya çıkan toz genellikle sağlığa zararlıdır ve bedeninize temas etmemelidir. Uygun bir koruyucu toz maskesi kullanın

Sağlık tehlikelerine neden olan malzemelerin işlenmesi yasaktır (örn. asbest).

Uca yerleştirilen takımın bloke olması halinde lütfen cihazı hemen kapatın! Uca yerleştirilen takım bloke olduğu sürece cihazı tekrar çalıştırmayın; bu sırada yüksek reaksiyon momentine sahip bir geri tepme meydana gelebilir. Uca yerleştirilen takımın neden bloke olduğuna bakın ve bu durumu güvenlik uyarılarına dikkat ederek gidin.

Olası nedenler şunlar olabilir:

- İşlenen parça içinde takılma
- İşlenen malzemenin delinmesi
- Elektrikli alete aşırı yük binmesi

Ellerinizi çalışmakta olan makinenin içine uzatmayın.

Uca yerleştirilen takım kullanım sırasında ısınabilir.

UYARI! Yanma tehlikesi

- takım değiştirme sırasında
- aletin yere bırakılması sırasında

Alet çalışır durumda iken talaş ve kırıntıları temizlemeye çalışmayın.

Bağlantı kablosunu aletten uzak tutun. Kablo daima aletin arkasında olmalıdır ve toplanmamalıdır.

Duvar, tavan ve zeminde delik açarken elektrik kablolarına, gaz ve su borularına dikkat edin.

İşlenen parçayı bir germe tertibatıyla emniyete alın. Emniyete alınmayan iş parçaları ağır yaralanmalar ve hasarlara neden olabilir.

Aletin kendinde bir çalışma yapmadan önce fişi prizden çekin.

Büyük delik çaplarında ilave sap ana tutamağa dik açılı olarak tespit edilmelidir. Bakınız: Resimli kısım, "Tutamağın çevrilmesi" bölümü.

KULLANIM

K545 S: Bu kırıcı-delici taştaki darbeli delme ve kesikleme işlerinde çok yönlü olarak kullanılabilir.

K500 S: Bu kırıcı, şantiyedeki zor kesikleme ve kırma işlerinde kullanılabilir.

Bu alet sadece belirtildiği gibi ve usulüne uygun olarak kullanılabilir.

CE UYGUNLUK BEYANI

Üretici sıfatıyla tek sorumlu olarak "Teknik Veriler" bölümünde tarif edilen ürünün 2011/65/EU (RoHS), 2014/30/EC, 2006/42/EC sayılı direktifin ve aşağıdaki harmonize temel belgelerin bütün önemli hükümlerine uygun olduğunu beyan etmekteyiz:

EN 60745-1:2009+A11:2010
EN 60745-2-6:2010
EN 55014-1:2017+A11:2020
EN 55014-2:2015
EN 61000-3-2:2014
EN 61000-3-3:2013
EN IEC 63000:2018

Winnenden, 2021-01-21

Alexander Krug

Alexander Krug
Managing Director

Teknik evrakları hazırlamakla görevlendirilmiştir.

Techtronic Industries GmbH
Max-Eyth-Straße 10
71364 Winnenden
Germany

ŞEBEKE BAĞLANTISI

Açık havadaki prizler hatalı akım koruma şalteri (FI, RCD, PRCD) ile donatılmış olmalıdır. Bu, elektrik tesisatındaki bir zorunluluktur. Lütfen aletimizi kullanırken bu hususa dikkat edin.

Aleti sadece tek fazlı alternatif akıma ve tip etiketi üzerinde belirtilen şebeke gerilimine bağlayın. Yapısı Koruma sınıfı II'ye girdiğinden alet koruyucu temasız prize de bağlanabilir.

Aleti sadece kapalı iken prize takın.

Bu cihaz profesyonelle kullanılan bir cihaz olup, kamuya ait alçak voltaj şebekesine bağlantı yapılırken elektrik üst dalgalanmalara ait yönlendirme değerlerini az bir şekilde aşabilir. Bu nedenle cihazı kamuya ait alçak voltaj şebekesine bağlamadan önce yetkili enerji tedarik şirketi ile irtibat kurun.

SOĞUK HAVALARDA ÇALIŞMAK

Makine uzun süre veya düşük sıcaklıklarda muhafaza edildiğinde, yağlama maddesi kıvamı koylaşabilir ve makinenin ilk başta çalışmaması ve gücünün düşük olması mümkün olabilir. Böyle durumlarda:

1. Matkap veya kırıcı ucu makineye takınız.
2. Makineyi artık bir parça betona dayayınız.
3. Şaltere birkaç saniyede bir basın ve tekrar bırakınız.

15 saniye ile 2 dakika arası bir süre sonra makine normal şekilde kırma modunda çalışmaya başlayacaktır. Makine ne kadar soğuk olursa, ısınması o kadar uzun sürer.

BAKIM

Aletin havalandırma aralıklarını daima temiz tutun.

Önemli açıklama! Yıpranan kömür fırçalar bir müşteri servisinde değiştirilmelidir. Bu sayede aletin kullanım ömrü uzar ve alet daima çalışmaya hazır olur.

Şebeke hatları hasarlı ise müşteri hizmetleri servisi tarafından değiştirilmesi gerekir, zira bunun için özel bir aparat gereklidir.

Sadece Milwaukee aksesuarını ve yedek parçalarını kullanın. Değiştirilmesi açıklanmamış olan parçaları bir Milwaukee müşteri servisinde değiştirin (Garanti broşürüne ve müşteri servisi adreslerine dikkat edin).

Gerektiği takdirde aletin dağılık görünüş şeması, alet tipinin ve tip etiketi üzerindeki sayının bildirilmesi koşuluyla müşteri servisinde veya doğrudan Techtronic Industries GmbH, Max-Eyth-Straße 10, 71364 Winnenden, Germany adresinden istenebilir.

SEMBOLLER



DİKKAT! UYARI! TEHLİKE!



Aletin kendinde bir çalışma yapmadan önce fişi prizden çekin.



Lütfen aleti çalıştırmadan önce kullanma kılavuzunu dikkatli biçimde okuyun.



Aksesuar - Teslimat kapsamında değildir, önerilen tamamımlar aksesuar programında.



Elektrikli cihazların, pillerin/akülerin evsel atıklarla birlikte bertaraf edilmesi yasaktır. Elektrikli cihazlar ve aküler ayrılarak biriktirilmeli ve çevreye zarar vermeden bertaraf edilmeleri için bir atık değerlendirme tesisine götürülmelidir. Yerel makamlara veya satıcınıza geri dönüşüm tesisleri ve atık toplama merkezlerinin yerlerini danışınız.



Koruma sınıfı II olan elektrikli aletler. Elektrik çarpmasına karşı korumanın sadece temel izolasyona bağlı olmayıp, aynı zamanda çift izolasyon veya takviyeli izolasyon gibi ek koruyucu önlemlerin alınmasına bağlı olan elektrikli alet. Bir koruyucu iletken bağlamak için düzeneği bulunmamaktadır.



Avrupa uyumluluk işareti



Britanya uyumluluk işareti



Regulatory Compliance Mark (RCM). Ürün yürürlükteki kuralları karşılamaktadır.



Ukrayna uyumluluk işareti



Avrasya uyumluluk işareti

TECHNICKÁ DATA	K500 S	K545 S
Výrobní číslo.....	4421 66 04.....	4632 71 04.....
.....	4421 58 04.....	4422 01 04.....
.....	4421 58 04.....	4421 96 04.....
.....	4326 06 04.....	4324 51 04.....
.....	000001-999999	000001-999999
Jmenovitý příkon.....	1300 W.....	1300 W
Odběr.....	650 W.....	650 W
Počet otáček při běhu naprázdno.....	300 min ⁻¹	300 min ⁻¹
Počet otáček při zatížení max.....	300 min ⁻¹	300 min ⁻¹
Počet úderů max.....	2840 min ⁻¹	2840 min ⁻¹
Intenzita jednotlivých úderů podle EPTA-Procedure 05/2009.....	8,5 J	8,5 J
Vrtací ø v betonu.....	45 mm	45 mm
Dutá vrtací korunka do betonu, cihel a vápence.....	65 mm	65 mm
Tunelový vrták do betonu, cihel a vápence.....	100 mm	100 mm
Ø upínacího krčku.....	66 mm	66 mm
Hmotnost podle prováděcího předpisu EPTA 01/2014.....	6,3 kg	6,7 kg

Informace o hluku K545 S

Naměřené hodnoty odpovídají EN 60 745.

V třídě A posuzovaná hladina hluku přístroje činí typicky:

Hladina akustického tlaku (Kolísavost K=3dB(A)).....	98,5 dB (A)
Hladina akustického výkonu (Kolísavost K=3dB(A)).....	109,5 dB (A)

Používejte chrániče sluchu !

Informace o hluku K500 S

Typická vážená 91 dB (A)

Naměřená hodnota odpovídá 2005/88/EC u ucha uživatele

2005/88/EC : postup prohlášení o shodě podle přílohy VI. Notifikovaná osoba :

VDE Prüf- und Zertifizierungsinstitut,
Merianstr. 28,

63069 Offenbach, Germany

Naměřená hladina akustického výkonu 101 dB (A)

Zaručená hladina akustického výkonu 104 dB (A)

Používejte chrániče sluchu !

Informace o vibracích

Celkové hodnoty vibrací (vektorový součet tří směrů) zjištěné ve smyslu EN 60745.

Vrtání v betonu:

Hodnota vibračních emisí a_n..... 11,5 m/s²

Kolísavost K= 1,5 m/s²

Sekání

Hodnota vibračních emisí a_n..... 11,5 m/s² 9 m/s²

Kolísavost K= 1,9 m/s² 1,9 m/s²

VAROVÁN

Úroveň chvění uvedená v tomto návodu byla naměřena podle metody měření stanovené normou EN 60745 a může být použita pro porovnání elektrického nářadí. Hodí se také pro průběžný odhad zatížení chvěním.

Uvedená úroveň chvění představuje hlavní účely použití elektrického nářadí. Jestliže se ale elektrické nářadí používá pro jiné účely, s odlišnými nástroji nebo s nedostatečnou údržbou, může se úroveň chvění odlišovat. To může značně zvýšit zatížení chvěním během celé pracovní doby.

Pro přesný odhad zatížení chvěním se musí také zohlednit časy, během kterých je přístroj vypnutý nebo kdy je sice v chodu, ale skutečně se s ním nepřacuje. To může zatížení chvěním během celé pracovní doby značně snížit.

Stanovte doplňková bezpečnostní opatření pro ochranu obsluhy před účinky chvění jako například: technická údržba elektrického nářadí a nástrojů, udržování teploty rukou, organizace pracovních procesů.

UPOZORNĚNÍ! Přečtěte si všechny bezpečnostní pokyny a návody.

Zanedbání při dodržování varovných upozornění a pokynů mohou mít za následek úder elektrickým proudem, požár a/nebo těžká poranění.

Všechna varovná upozornění a pokyny do budoucna uschovte.

BEZPEČNOSTNÍ POKYNY PRO VRTACÍ KLADIVA

Při vrtání s přiklepem používejte prostředky k ochraně sluchu.

Nadměrný hluk může vést ke ztrátě sluchu.

Používejte doplňková madla dodávaná s přístrojem. Nedostatečným držením by mohlo dojít ke zranění.

Při provádění prací, při kterých nástroj může narazit na skryta elektrická vedení nebo na vlastní kabel, držte přístroj za izolované předřizovací plošky. Kontakt řezného nástroje s vedením pod napětím může vést k přenosu napětí na kovové části přístroje a k úrazu elektrickým proudem.

DALŠÍ BEZPEČNOSTNÍ A PRACOVNÍ POKYNY

Použijte ochranné vybavení. Při práci s elektrickým nářadím používejte vždy ochranné brýle. Doporučujeme rovněž použití součástí ochranného oděvu a ochranné obuvi, jako protiprašné masky, ochranných rukavic, pevné a neklouzající obuvi, ochranné přílby a ochrany sluchu.

Prach vznikající při práci s tímto nářadím může být zdraví škodlivý. Proto by neměl přijít do styku s tělem. Používejte při práci vhodnou ochranou masku.

Nesmějí se opravovat materiály, které mohou způsobit ohrožení zdraví (např. azbest)

Při zablokování nasazeného nástroje přístroj okamžitě vypněte! Přístroj nezapínejte, pokud je nasazený nástroj zablokovaný; mohl by při tom vzniknout zpětný náraz s vysokým reakčním momentem. Zjistěte příčinu zablokování nasazeného nástroje a odstraňte ji při dodržení bezpečnostních pokynů.

Možnými příčinami mohou být:

- vzpříčení v opracovávaném obrobku
- přelomení opracovávaného materiálu
- přetížení elektrického přístroje

Nezasahujte do běžícího stroje.

Nasazený nástroj se může během používání rozpálit.

VAROVÁNÍ! Nebezpečí popálení.

- při výměně nástroje
- při odkládání přístroje

Pokud stroj běží, nesmí být odstraňovány třísky nebo odštěpky.

Neustále dbát na to, aby byl kabel pro připojení k elektrické síti mimo dosah stroje. Kabel vést vždy směrem dozadu od stroje.

Při vrtání do zdi, stropu nebo podlahy dávat pozor na elektrické kabely, plynová a vodovodní potrubí.

Obrobek zabezpečte upínacím zařízením. Nezabezpečené obrobky mohou způsobit těžká poranění a poškození.

Před zahájením veškerých prací na stroji vytáhnout síťovou zástrčku ze zásuvky.

Při vrtání velkými průměry vrtáků musí být přední madlo v poloze kolmé k hlavnímu madlu. Viz. Obrazová část, oddíl "Natočení madla".

OBLAST VYUŽITÍ

K545 S: Vrtací kladivo je univerzálně použitelné k vrtání s přiklepem a sekání do kamene a betonu.

K500 S: Kladivo je použitelné k sekání do kamene a betonu.

Toto zařízení lze používat jen pro uvedený účel.

CE-PROHLÁŠENÍ O SHODĚ

My jako výrobce výhradně na vlastní zodpovědnost prohlašujeme, že se výrobek popsaný v "Technických údajích" shoduje se všemi relevantními předpisy směrnice 2011/65/EÚ (RoHS), 2014/30/EÚ, 2006/42/ES a následujícími harmonizovanými normativními dokumenty:

EN 60745-1:2009+A11:2010

EN 60745-2-6:2010

EN 55014-1:2017+A11:2020

EN 55014-2:2015

EN 61000-3-2:2014

EN 61000-3-3:2013

EN IEC 63000:2018

Winnenden, 2021-01-21

Alexander Krug

Alexander Krug
Managing Director



Zplnomocněn k sestavování technických podkladů.

Techtronic Industries GmbH

Max-Eyth-Straße 10

71364 Winnenden

Germany

PŘIPOJENÍ NA SÍŤ

Ve venkovním prostředí musí být zásuvky vybaveny proudovým chráničem (FI, RCD, PRCD). Je to vyžadováno instalačním předpisem pro toto el.zařízení. Dodržujte ho při používání tohoto nářadí, prosím.

Připojit pouze do jednofázové stírávací sítě o napětí uvedeném na štítku. Lze připojit i do zásuvky bez ochranného kontaktu neboť spotřebič je třídy II.

Přívodní kabel zapojit do zásuvky jen při vypnutém stroji.

Toto je přístroj k profesionálnímu užívání, který může mírně překračovat směrné hodnoty pro harmonické vlny při připojení na veřejnou nízkonapěťovou síť. Kontaktujte proto před připojením přístroje na veřejnou nízkonapěťovou síť svého příslušného dodavatele energie.

PRÁCE V CHLADU

Když je nářadí uskladněno delší dobu nebo je uskladněno při nízkých teplotách, mazivo může ztuhnout a může se stát, že nářadí zpočátku nechce fungovat nebo jeho výkon je příliš nízký. Když se to stane:

- Na nářadí nasadte vrták nebo sekáč.
- Nářadí přiložte ke zbytkovému kusu betonu.
- Vždy na několik sekund stiskněte tlačítko spínače a následně jej znovu pusťte.

Po 15 sekundách až 2 minutách začne nářadí normálně fungovat. Čím je nářadí studenější, tím déle trvá jeho zahřátí.

ÚDRŽBA

Větrací štěrbinu nářadí udržujeme stále čisté.

Při obroušení uhlíků je nutná jejich výměna v odborném servisu. Zaručuje to i prodloužení životnosti stroje a jeho spolehlivost v provozu.

Dojde-li k poškození přírodního kabelu, nechte jej vyměnit v autorizovaném servisu, protože k výměně je zapotřebí speciální nástroj.

Používejte výhradně náhradní díly a příslušenství Milwaukee. Díly, jejichž výměna nebyla popsána, nechávejte vyměnit v odborném servisu Milwaukee. (Viz záruční list.)

Při potřebě podrobného rozkresu konstrukce, oslovte informaci o typu a čísle přímo servis a nebo výrobce, Techtronic Industries GmbH, Max-Eyth-Straße 10, 71364 Winnenden, Germany.

SYMBOLY



POZOR! VAROVÁNÍ! NEBEZPEČÍ!



Před zahájením veškerých prací na stroji vytáhnout síťovou zástrčku ze zásuvky.



Před spuštěním stroje si pečlivě přečtěte návod k používání.



Příslušenství není součástí dodávky, viz program příslušenství.



Elektrická zařízení, baterie/akumulátory se nesmí likvidovat společně s odpadem z domácnosti. Elektrická zařízení, baterie/akumulátory je třeba sbírat odděleně a odevzdat je v recyklačním podniku na ekologickou likvidaci. Na místních úřadech nebo u vašeho specializovaného prodejce se informujte na recyklační podniky a sběrné dvory.



Elektrický přístroj s třídou ochrany II. Elektrický přístroj, u kterého ochrana před zásahem el. proudem závisí nejen na základní izolaci, ale i na tom, že budou použita také doplňková ochranná opatření, jakými jsou dvojitá izolace nebo zesílená izolace. Neexistuje žádné zařízení pro připojení ochranného vodiče.



Značka shody v Evropě



Značka shody v Británii



Regulatory Compliance Mark (RCM). Produkt splňuje platné předpisy.



Značka shody na Ukrajině



Značka shody pro oblast Eurasie

TECHNICKÉ ÚDAJE	K500 S	K545 S
Výrobné číslo.....	4421 66 04.....	4632 71 04.....
.....	4421 58 04.....	4422 01 04.....
.....	4326 06 04.....	4421 96 04.....
.....	000001-999999	4324 51 04.....
.....	000001-999999
Menovitý príkon.....	1300 W.....	1300 W
Výkon.....	650 W.....	650 W
Otáčky naprázdno.....	300 min ⁻¹	300 min ⁻¹
Max. otáčky pri záťaži.....	300 min ⁻¹	300 min ⁻¹
Max. počet úderov pri záťaži.....	2840 min ⁻¹	2840 min ⁻¹
Intenzita jednotlivých príklepov podľa EPTA Procedure 05/2009.....	8,5 J.....	8,5 J
Priemer vrtu do betónu.....	45 mm.....	45 mm
Tunelový vrták do betónu, tehly a vápencového pieskovca.....	65 mm.....	65 mm
Jadrová vrtacia hlavica do betónu, tehly a vápencového pieskovca.....	100 mm.....	100 mm
Priemer upínacieho hrdla.....	66 mm.....	66 mm
Hmotnosť podľa vykonávacieho predpisu EPTA 01/2014.....	6,3 kg.....	6,7 kg

Informácia o hluku K545 S

Namerané hodnoty určené v súlade s EN 60 745.

V triede A posudzovaná hladina hluku prístroja činí typicky:

Hladina akustického tlaku (Kolísavosť K=3dB(A)).....	98,5 dB (A)
Hladina akustického výkonu (Kolísavosť K=3dB(A)).....	109,5 dB (A)

Používajte ochranu sluchu!

Informácia o hluku K500 S

A-ohodnotená hladina akustického

tlaku prístroja činí..... 91 dB (A)

Nameraná hodnota určená v súlade s 2005/88/ES pri uchu užívateľa.

2005/88/ES: Postup hodnotenia konformity podľa prílohy VI. Označený orgán: VDE Prüf- und Zertifizierungsinstitut (Skúšobňa a certifikačný ústav), Merianstr. 28,

63069 Offenbach, Nemecko

Nameraná hladina akustického výkonu..... 101 dB (A)

Garantovaná hladina akustického výkonu..... 104 dB (A)

Používajte ochranu sluchu!

Informácie o vibráciách

Celkové hodnoty vibrácií (vektorový súčet troch smerov) zistených zmysle

EN 60745.

Vrtanie do betónu:

Hodnota vibračných emisií a_h..... 11,5 m/s²

Kolísavosť K=..... 1,5 m/s²

Osekávanie

Hodnota vibračných emisií a_h..... 11,5 m/s²..... 9 m/s²

Kolísavosť K=..... 1,9 m/s²..... 1,9 m/s²

POZOR

Úroveň vibrácií uvedená v týchto pokynoch bola nameraná meracou metódou, ktorú stanovuje norma EN 60745 a je možné ju použiť na vzájomné porovnanie elektrického náradia. Hodí sa aj na predbežné posúdenie kmitavého namáhania.

Uvedená úroveň vibrácií reprezentuje hlavné aplikácie elektrického náradia. Ak sa však elektrické náradie používa pre iné aplikácie, s odlišnými vloženými nástrojmi alebo s nedostatočnou údržbou, môže sa úroveň vibrácií líšiť. Toto môže kmitavé namáhanie v priebehu celej pracovnej doby podstatne zvýšiť.

Pre presný odhad kmitavého namáhania by sa mali tiež zohľadniť doby, v ktorých je náradie vypnuté alebo je síce v chode, ale v skutočnosti sa nepoužíva. Toto môže kmitavé namáhanie v priebehu celej pracovnej doby zreteľne redukovať.

Stanovte dodatočné bezpečnostné opatrenia pre ochranu obsluhy pred účinkami vibrácií, ako napríklad: údržba elektrického náradia a vložených nástrojov, udržiavanie teploty rúk, organizácia pracovných postupov.

! UPOZORNENIE! Prečítajte si všetky bezpečnostné pokyny a návody. Zanedbanie dodržiavania Výstražných upozornení a pokynov uvedených v nasledujúcom texte môže mať za následok zásah elektrickým prúdom, spôsobiť požiar a/alebo ťažké poranenie.
Tieto Výstražné upozornenia a bezpečnostné pokyny starostlivo uschovajte na budúce použitie.

! BEZPEČNOSTNÉ POKYNY PRE VRTACIE KLADIVO

Pri vrtaní s príklepom používajte prostriedky k ochrane sluchu. Nadmerný hluk môže viesť k strate sluchu.

Používajte prídavné rukoväť dodané spolu s prístrojom. Strata kontroly nad strojom môže viesť k zraneniu.

Pri realizovaní prác, pri ktorých nástroj môže naraziť na skryté elektrické vedenia alebo na vlastný kábel, držte prístroj za izolované pridrôzovacie plošky. Kontakt rezného nástroja s vedením pod napätím môže viesť k prenosu napätia na kovové časti prístroja a k úrazu elektrickým prúdom.

ĎALŠIE BEZPEČNOSTNÉ A PRACOVNÉ POKYNY

Použite ochranné vybavenie. Pri práci s elektrickým náradím používajte vždy ochranné okuliare. Doporučujeme taktiež použitie súčastí ochranného odevu a ochrannej obuvi, ako sú protiprašná maska, ochranné rukavice, pevná a nektzáľuca obuv, ochranná prilba a ochrana sluchu.

Prach vznikajúci pri práci môže byť škodlivý zdraviu. Pri práci nosiť vhodnú ochrannú masku, aby sa nedostal do ľudského organizmu.

Nesmú sa opracovávať materiály, ktoré môžu spôsobiť ohrozenie zdravia (napr. azbest)

Pri zablokovaní nasadeného nástroja prístroj okamžite vypnite! Prístroj nezapínajte, pokiaľ je nasadený nástroj zablokovaný; mohol by pri tom vzniknúť spätný náraz s vysokým reakčným momentom. Príčinu zablokovania nasadeného nástroja zistíte a odstránite so zohľadnením bezpečnostných pokynov.

Možnými príčinami môžu byť:

- spriečenie v opracovávanom obrobní
- prelomenie opracovávaného materiálu
- preťaženie elektrického prístroja

Nezasahujte do bežiacieho stroja.

Nasadený nástroj sa počas používania môže rozhorčiť.

POZOR! Nebezpečenstvo popálenia

- pri výmene nástroja
- pri odkladaní prístroja

Triesky alebo úlomky sa nesmú odstraňovať za chodu stroja.

Prípojovací kábel držte mimo pracovnej oblasti stroja. Kábel smerujte vždy smerom dozadu od stroja.

Pri práci v stene, strope alebo v podlahe dávajte pozor na elektrické káble, plynové a vodovodné potrubia.

Obrobok zabezpečte upínacím zariadením. Nezabezpečené obrobní môžu spôsobiť ťažké poranenia a poškodenia.

Pred každou prácou na stroji vyťahnite zástrčku zo zásuvky.

Pri veľkých priemeroch vrtania musí byť prídavná rukoväť upevnená kolmo na hlavnú rukoväť. Viď obrazovú časť, odsek "pootočiť rukoväť".

POUŽITIE PODĽA PREDPISOV

K545 S: Vrtacie kladivo je univerzálne použiteľné na sekanie a osekávanie kameňa a betónu.

K500 S: Kladivo je určené na osekávanie kameňa a betónu

Tento prístroj sa smie používať len v súlade s uvedenými predpismi.

CE - VYHLÁSENIE KONFORMITY

My ako výrobca výhradne na vlastnú zodpovednosť vyhlasujeme, že výrobok popísaný v "Technických údajoch" sa zhoduje so všetkými relevantnými predpismi smernice 2011/65/EÚ (RoHS), 2014/30/EÚ, 2006/42/ES a nasledujúcimi harmonizujúcimi normatívnymi dokumentmi:

EN 60745-1:2009+A11:2010

EN 60745-2-6:2010

EN 55014-1:2017+A11:2020

EN 55014-2:2015

EN 61000-3-2:2014

EN 61000-3-3:2013

EN IEC 63000:2018

Winnenden, 2021-01-21

Alexander Krug

Alexander Krug
Managing Director



Splnomocnený zostaviteľ technické podklady.

Techtronic Industries GmbH

Max-Eyth-Straße 10

71364 Winnenden

Germany

SIEŤOVÁ PRIPOJKA

Zásuvky vo vonkajšom prostredí musia byť vybavené ochranným spínačom proti prúdovému nárazom (FI, RCD, PRCD). Toto je inštalácia predpis na Vaše elektrické zariadenie. Venujte prosím tomuto pozornosť pri používaní nášho prístroja.

Pripáť len na jednofázový striedavý prúd a na sieťové napätie uvedené na štítku. Pripojenie je možné aj do zásuviek bez ochranného kontaktu, pretože ide o konštrukciu ochrannej triedy II.

Do zásuvky pripáť len vypnutý prístroj.

Tento prístroj je určený na profesionálne použitie a môže orientačne hodnoty špičkového prúdu pri pripojení na verejnú rozvodnú sieť nepatrne prekročiť. Preto sa pred jeho pripojením na verejnú rozvodnú sieť spojte so svojím elektrozásobovacím podnikom.

PRÁCA V CHLADE

Keď je náradie uskladnené dlhší čas alebo je uskladnené pri nízkych teplotách, mazivo môže stuhnúť a môže sa stať, že náradie na začiatku nechce fungovať alebo jeho výkon je príliš nízký. Keď sa to stane:

1. Na náradie nasadte vrták alebo sekáč.
2. Náradie priložte k zvyšnému kusu betónu.
3. Vždy na niekoľko sekúnd stlačte tlačidlo spínača a následne ho znovu pusťte.

Po 15 sekundách až 2 minútach začne náradie normálne fungovať. Čím je náradie studenie, tým dlhšie trvá, kým sa zahreje.

ÚDRŽBA

Vetracie otvory udržiavať stále v čistote.

Pri opotrebovaných uhlikových kečoch by sa mala vykonať okrem výmeny uhlikových keč v zákaznickom centre aj prehliadka prístroja. Toto predlžuje životnosť prístroja a zaručuje stálu funkčnosť.

Aj dôjde k poškodeniu prívodného kábla, nechajte ho vymeniť v autorizovanom servise, pretože k výmene je potrebný špeciálny nástroj.

Používať len Milwaukee príslušenstvo a náhradné diely. Súčiastky bez návodu na výmenu treba dať vymeniť v jednom z Milwaukee zákaznických centier (viď brožúru Záruka/Adresy zákaznických centier).

Pri udaní typu stroja a čísla nachádzajúceho sa na štítku dá sa v prípade potreby vyžiadať explozivná schéma prístroja od vášho zákaznického centra alebo priamo v Techtronic Industries GmbH, Max-Eyth-Straße 10, 71364 Winnenden, Germany.

SYMBOLY



POZOR! NEBEZPEČENSTVO!



Pred každou prácou na stroji vyťahnite zástrčku zo zásuvky.



Pred prvým použitím prístroja si pozorne prečítajte návod na obsluhu.



Príslušenstvo - nie je súčasťou štandardnej výbavy, odporúčané doplnenie z programu príslušenstva.



Elektrické zariadenia, batérie/akumulátory sa nesmú likvidovať spolu s odpadom z domácností. Elektrické zariadenia, batérie/akumulátory treba zbierať oddelene a odovzdať ich v recyklačnom podniku na ekologickú likvidáciu. Na miestnych úradoch alebo u vášho špecializovaného predajcu sa spýtajte na recyklačné podniky a zberné dvory.



Elektrický prístroj triedy ochrany II. Elektrický prístroj, pri ktorom ochrana pred zásahom el. prúdom závisí nie len od základnej izolácie, ale aj od toho, že budú použité aj doplnkové ochranné opatrenia, akými sú dvojitá izolácia alebo zosilnená izolácia. Neexistuje žiadne zariadenie na pripojenie ochranného vodiča.



Značka zhody v Európe



Značka zhody v Británii



Regulatory Compliance Mark (RCM). Produkt spĺňa platné predpisy.



Značka zhody na Ukrajine



Značka zhody pre oblasť Eurázie

DANE TECHNICZNE	K500 S	K545 S
Numer produkcyjny.....	4421 66 04...	4632 71 04...
.....	4421 58 04...	4421 96 04...
.....	4326 06 04...	4324 51 04...
.....	000001-999999	000001-999999
Znamionowa moc wyjściowa.....	1300 W.....	1300 W
Moc wyjściowa.....	650 W.....	650 W
Prędkość bez obciążenia.....	300 min ⁻¹	300 min ⁻¹
Maksymalna prędkość obrotowa pod obciążeniem.....	300 min ⁻¹	300 min ⁻¹
Częstotliwość uderu przy obciążeniu maks.....	2840 min ⁻¹	2840 min ⁻¹
Energia uderu zgodna z EPTA Procedure 05/2009.....	8,5 J.....	8,5 J
Zdolność wiercenia w betonie.....	45 mm.....	45 mm
Wiertło rurowe do betonu, cegiel i kamienia wapiennego.....	65 mm.....	65 mm
Koronka rdzeniowa do betonu, cegiel i kamienia wapiennego.....	100 mm.....	100 mm
Średnica szyjki uchwyty.....	66 mm.....	66 mm
Ciepła wg procedury EPTA 01/2014.....	6,3 kg.....	6,7 kg

Informacja dotycząca szumów K545 S

Zmierzone wartości wyznaczono zgodnie z normą EN 60745.

Poziom szumów urządzenia oszacowany jako A wynosi typowo:

Poziom ciśnienia akustycznego (Niepewność K=3dB(A)).....	98,5 dB (A)
Poziom mocy akustycznej (Niepewność K=3dB(A)).....	109,5 dB (A)

Należy używać ochroniaczy uszu!

Informacja dotycząca szumów K500 S

Typowy poziom ciśnienia akustycznego mierzony wg krzywej A:..... 91 dB (A)

Zmierzone wartości wyznaczono zgodnie z 2005/88/WE przy uchu użytkownika.

2005/88/WE: Procedura oceny zgodności według Załącznika VI. Organ powiadamiany:

VDE Testing and Certification Institute, Merianstr. 28,

63069 Offenbach, Niemcy

Zmierzony poziom mocy akustycznej.....	101 dB (A)
Gwarantowany poziom mocy akustycznej.....	104 dB (A)

Należy używać ochroniaczy uszu!

Informacje dotyczące wibracji

Wartości łączne drgań (suma wektorowa trzech kierunków) wyznaczone zgodnie z normą

EN 60745

Wiercenie w betonie:

Wartość emisji drgań a _w	11,5 m/s ²
Niepewność K=.....	1,5 m/s ²

Dłutowanie

Wartość emisji drgań a _w	11,5 m/s ²	9 m/s ²
Niepewność K=.....	1,9 m/s ²	1,9 m/s ²

OSTRZEŻENIE

Podany w niniejszych instrukcjach poziom drgań został zmierzony za pomocą metody pomiarowej zgodnej z normą EN 60745 i może być użyty do porównania ze sobą elektronarzędzi. Nadaje się on również do tymczasowej oceny obciążenia wibracyjnego.

Podany poziom drgań reprezentuje główne zastosowania elektronarzędzia. Jeśli jednakże elektronarzędzie użyte zostanie do innych celów z innym narzędziami roboczymi lub nie jest dostatecznie konserwowane, wtedy poziom drgań może wykazywać odchylenia. Może to wyraźnie zwiększyć obciążenie wibracjami przez cały okres pracy.

Dla dokładnego określenia obciążenia wibracjami należy uwzględnić również czasy, w których urządzenie jest wyłączone względnie jest włączone, lecz w rzeczywistości nie pracuje. Może to spowodować wyraźną redukcję obciążenia wibracyjnego w całym okresie pracy.

Należy wprowadzić dodatkowe środki zapobiegawcze celem ochrony obsługującego przed oddziaływaniem drgań, jak na przykład: konserwacja narzędzi roboczych i elektronarzędzi, nagrzanie rąk, organizacja przebiegu pracy.

! OSTRZEŻENIE! Należy przeczytać wszystkie wskazówki dotyczące bezpieczeństwa i instrukcje. Błędy w przestrzeganiu poniższych wskazówek mogą spowodować porażenie prądem, pożar i/lub ciężkie obrażenia ciała. Należy starannie przechowywać wszystkie przepisy i wskazówki bezpieczeństwa dla dalszego zastosowania.

! WSKAZÓWKI BEZPIECZEŃSTWA DLA MŁOTKOWIERTARKA

Do wiercenia udarowego należy zakładać ochronniki słuchu. Hałas może powodować utratę słuchu.

Stosować uchwyty pomocnicze dostarczone z narzędziem. Utrata kontroli może spowodować obrażenia.

Trzymaj urządzenie za izolowane powierzchnie chwytne gdy wykonujesz roboty, w trakcie których narzędzie skrawające może natrafić na ukryte przewody prądowe lub na własny kabel. Styczność narzędzia skrawającego z będącym pod napięciem przewodem może spowodować podłączenie części metalowych urządzenia do napięcia i prowadzić do porażenia prądem elektrycznym.

! DODATKOWE WSKAZÓWKI BEZPIECZEŃSTWA I INSTRUKCJE ROBOCZE

Stosować wyposażenie ochronne. Przy pracy maszyną zawsze nosić okulary ochronne. Zalecana jest odzież ochronna, jak maska pyłochronna, rękawice ochronne, moche i chroniące przed poślizgiem obuwie, kask i ochronniki słuchu.

Kurz powstający przy pracy z tym elektronarzędziem może być szkodliwy dla zdrowia, w związku z tym nie powinien dotrzeć do ciała. Nosić odpowiednią maskę przeciwpyłową.

Nie wolno obrabiać materiałów, które mogą być przyczyną zagrożenia zdrowia (na przykład azbestu).

W przypadku zablokowania narzędzia nasadzanego należy natychmiast wyłączyć urządzenie! Nie należy ponownie włączyć urządzenia tak długo, jak długo narzędzie nasadzone jest zablokowane; przy tym mógłby powstać odrzut zwrotny o dużym momencie reakcyjnym. Należy wykręcić i usunąć przyczynę zablokowania narzędzia nasadzanego uwzględniając wskazówki dotyczące bezpieczeństwa.

Możliwymi przyczynami tego mogą być:

- Skośne ustawienie się w poddawany obróbcie przedmiocie obrabianym
- Przerwanie materiału poddawanego obróbce
- Przeciążenie narzędzia elektrycznego

Nie należy sięgać do wnętrza maszyny będącej w ruchu.

Narzędzie nasadzone może w trakcie użytkowania stać się gorące.

OSTRZEŻENIE! Niebezpieczeństwo oparzenia się

- przy wymianie narzędzia
- przy odstawianiu urządzenia

Podczas pracy elektronarzędzia nie wolno usuwać trocin ani drzazg.

Kabel zasilający nie może znajdować się w obszarze roboczym elektronarzędzia. Powinny on się zawsze znajdować się za operatorem.

Podczas pracy przy ścianach, sufitach i podłodze należy uważać na kable elektryczne, przewody gazowe i wodociągowe.

Należy zabezpieczyć przedmiot poddawany obróbce za pomocą urządzenia mocującego. Niezabezpieczone przedmioty poddawane obróbce mogą spowodować ciężkie obrażenia ciała i uszkodzenia.

Przed przystąpieniem do jakichkolwiek prac związanych z elektronarzędziem należy wyjąć wtyczkę z gniazdka.

Przy pracy z wiertłami o dużych średnicach uchwyt pomocniczy należy zamocować pod kątem prostym w stosunku do uchwyty głównego (patrz ilustracja, rozdział "Obrót uchwyty").

WARUNKI UŻYTKOWANIA

K545 S: Młot pneumatyczny do uniwersalnych zastosowań przy wierceniu udarowym i dłutowaniu i betonu.

K500 S: Młot do dłutowania i prac wyburzeniowych

Produkt można użytkować wyłącznie zgodnie z jego normalnym przeznaczeniem.

DEKLARACJA ZGODNOŚCI CE

Jako producent oświadczamy na naszą wyłączną odpowiedzialność, że produkt opisany w punkcie „Dane techniczne” jest zgodny ze wszystkimi istotnymi przepisami Dyrektywy 2011/65/EU (RoHS), 2001/430/UE, 2006/42/WE oraz z następującymi zharmonizowanymi dokumentami normatywnymi:

EN 60745-1:2009+A11:2010

EN 60745-2-6:2010

EN 55014-1:2017+A11:2020

EN 55014-2:2015

EN 61000-3-2:2014

EN 61000-3-3:2013

EN IEC 63000:2018

Winnenden, 2021-01-21



Alexander Krug

Managing Director



Upelnomocniony do zestawienia danych technicznych

Techtronic Industries GmbH

Max-Eyth-Straße 10

71364 Winnenden

Germany

PODŁĄCZENIE DO SIECI

Urządzenia pracujące w wielu różnych miejscach, w tym poza pomieszczeniami zamkniętymi, należy podłączać poprzez ochronny (FI, RCD, PRCD) wyłącznik udarowy.

Podłączać tylko do źródła zasilania prądem zmiennym jednofazowym i wyłącznie o napięciu podanym na tabliczce znamionowej. Możliwe jest również podłączenie do gniazdka bez uziemienia, ponieważ konstrukcja odpowiada II klasie bezpieczeństwa.

Przed włożeniem wtyczki do gniazdka upewnić się, czy urządzenie jest wyłączone.

Jest to urządzenie do użytku profesjonalnego, które w przypadku podłączenia do publicznej sieci niskiego napięcia może przekroczyć wskaźniki wyższych harmonicznych prądowych. Dlatego też przed podłączeniem do publicznej sieci niskiego napięcia należy skontaktować się, w razie potrzeby, z właściwym przedsiębiorstwem energetycznym.

PRACA W ZIMNEJ TEMPERATURZE

Jeśli maszyna przez dłuższy czas była nieużywana lub była przechowywana w niskiej temperaturze, smar może stać się lepki, a także może dojść do sytuacji, w której maszyna na samym początku w ogóle nie rozpocznie pracy lub będzie mieć zbyt słabą moc. Należy wówczas:

1. Włożyć wiertło lub dłuto w maszynę.
2. Położyć maszynę na kawałku betonu.
3. Wcisnąć i puszczać przelącznik co kilka sekund.

Po 15 sekundach do maksymalnie 2 minut maszyna zacznie uderzać w prawidłowy sposób. Im zimniejsza jest maszyna, tym dłużej trwa rozgrzewanie.

UTRZYMANIE I KONSERWACJA

Otwory wentylacyjne elektronarzędzia muszą być zawsze drożne.

Ważne! W przypadku zużycia szczotek węglowych po ich wymianie elektronarzędzie należy przekazać do serwisu obsługi posprzedażnej. Zapewni to długi okres użytkowania i maksymalne osiągi elektronarzędzia.

Jeżeli kabel zasilania sieciowego jest uszkodzony, musi on być wymieniony przez serwis naprawczy, ponieważ niezbędne jest specjalne narzędzie.

Należy stosować wyłącznie wyposażenie dodatkowe i części zamienne Milwaukee. W przypadku konieczności wymiany części, dla których nie podano opisu, należy skontaktować się z przedstawicielami serwisu Milwaukee (patrz lista punktów obsługi gwarantującej/serwisowej).

Na życzenie można otrzymać rysunek widoku zespołu rozebranego. Przy zamawianiu należy podać numer oraz typ elektronarzędzia umieszczony na tabliczce znamionowej. Zamówienia można dokonać albo u lokalnych przedstawicieli serwisu, albo bezpośrednio w Techtronic Industries GmbH, Max-Eyth-Straße 10, 71364 Winnenden, Germany.

SYMBOLS



UWAGA! OSTRZEŻENIE NIEBEZPIECZEŃSTWO!



Przed przystąpieniem do jakichkolwiek prac związanych z elektronarzędziem należy wyjąć wtyczkę z gniazdka.



Przed uruchomieniem elektronarzędzia zapoznać się uważnie z treścią instrukcji.



Wyposażenie dodatkowe dostępne osobno.



Urządzenia elektryczne, baterie/akumulatory nie mogą być usuwane razem z odpadami pochodzącymi z gospodarstw domowych. Urządzenia elektryczne i akumulatory należy gromadzić oddzielnie i w celu usuwania ich do odpadów zgodnie z wymaganiami środowiska naturalnego oddawać do przedsiębiorstwa utylizacyjnego. Proszę zasięgnąć informacji o centrach recyklingowych i punktach zbiorczych u władz lokalnych lub u wyspecjalizowanego dostawcy.



Elektronarzędzie klasy ochrony II. Elektronarzędzie, w którym zabezpieczenie przed porażeniem prądowym zależy nie tylko od izolacji podstawowej, lecz również od tego, czy zostały zastosowane dodatkowe środki ochrony, takie jak: izolacja podwójna lub izolacja wzmacniona. Nie ma żadnego urządzenia do podłączenia przewodu ochronnego.



Europejski Certyfikat Zgodności



Brytyjski Certyfikat Zgodności



Regulatory Compliance Mark (RCM). Produkt spełnia obowiązujące przepisy.



Ukraiński Certyfikat Zgodności



Eurozajtycki Certyfikat Zgodności

MŰSZAKI ADATOK	K500 S	K545 S
Gyártási szám.....	4632 71 04...	4422 01 04...
	4421 66 04.....	4421 96 04.....
	4326 06 04.....	4324 51 04.....
	000001-999999	000001-999999
Névleges teljesítményfelvétel.....	1300 W	1300 W
Leadott teljesítmény.....	650 W	650 W
Üresjárat fordulatszám.....	300 min ⁻¹	300 min ⁻¹
Fordulatszám terhelés alatt max.....	300 min ⁻¹	300 min ⁻¹
Ütésszám terhelés alatt max.....	2840 min ⁻¹	2840 min ⁻¹
Egyedi ütdörő az „EPTAProcedure 05/2009” (2009/05 EPTA-eljárás) szerint.....	8,5 J	8,5 J
Furat-Ø betonba.....	45 mm	45 mm
Áttörő fúró betonhoz, téglához és mészkőhöz.....	65 mm	65 mm
Fúrókorona betonhoz, téglához és mészkőhöz.....	100 mm	100 mm
Feszítőknyak-Ø.....	66 mm	66 mm
Súly a 01/2014 EPTA-eljárás szerint.....	6,3 kg	6,7 kg

Zajinformáció K545 S

A közölt értékek megfelelnek az EN 60 745 szabványnak.

A készülék munkahelyi zajszintje tipikusan:

Hangnyomás szint (K bizonytalanság=3dB(A)).....	98,5 dB (A)
Hangteljesítmény szint (K bizonytalanság=3dB(A)).....	109,5 dB (A)

Hallásvédő eszköz használata ajánlott!

Zajinformáció K500 S

Szabvány szerinti A-értékelésű hangszint:..... 91 dB (A)

Paraméterek meghatározása a 2005/88/EK szerint a felhasználói fülélnél.

2005/88/EK: Megfelelés meghatározása a VI. Melléklet szerint. Megjelölt intézet:

VDE Testing and Certification Institute, Merianstr. 28,

63069 Offenbach, Németország

Mért hangteljesítményszint..... 101 dB (A)

Szavatolt hangteljesítményszint..... 104 dB (A)

Hallásvédő eszköz használata ajánlott!

Vibráció-információk

Összesített rezgésértékek (három irány vektoriális összeg az EN 60745-nek

megfelelően meghatározva.

Ütvefúráshoz betonba:

ah rezgésemisszió érték..... 11,5 m/s²

K bizonytalanság..... 1,5 m/s²

Vésés

ah rezgésemisszió érték..... 11,5 m/s²..... 9 m/s²

K bizonytalanság..... 1,9 m/s²..... 1,9 m/s²

FIGYELMEZTETÉS

A jelen utasításokban megadott rezgésszint értéke az EN 60745-ben szabályozott mérési eljárásnak megfelelően került leírásra, és használható elektromos szerszámokkal történő összehasonlításhoz. Az érték alkalmas a rezgésterhelés elQzetes megbecsülésére is.

A megadott rezgésszint-érték az elektromos szerszám legfőbb alkalmazásait reprezentálja. Ha az elektromos szerszámot azonban más alkalmazásokhoz, eltérő használt szerszámokkal vagy nem elegendő karbantartással használják, a rezgésszint értéke eltérő lehet. Ez jelentősen megnövelheti a rezgésterhelést a munkavégzés teljes időtartama alatt.

A rezgésterhelés pontos megbecsüléséhez azokat az időket is figyelembe kell venni, melyekben a készülék lekapcsolódik, vagy ugyan működik, azonban ténylegesen nincs használatban. Ez jelentősen csökkentheti a rezgésterhelést a munkavégzés teljes időtartama alatt.

Határozzon meg további biztonsági intézkedéseket a kezelő védelmére a rezgések hatása ellen, például: az elektromos és a használt szerszámok karbantartásával, a kezek melegen tartásával, a munkafolyamatok megszervezésével.

▲ FIGYELMEZTETÉS! Olvasson el minden biztonsági útmutatást és utasítást. A következőkben leírt előírások betartásának elmulasztása áramütésekhez, tűzhoz és/vagy súlyos testi sérülésekhez vezethet. **Kérjük a későbbi használatra gondosan őrizze meg ezeket az előírásokat.**

▲ BIZTONSÁGI ÚTMUTATÁSOK FÚRÓKALAPÁCS

Ütvefúráskor viseljen hallásvédőt. A zaj hatása hallásvesztést okozhat.

Használja a készülékkel együtt szállított kézfogonyútakat. A készülék fölötti ellenőrzés elvesztése sérüléseket okozhat.

A készüléket a szigetelt markolatfelületeket fogva tartsa, ha olyan munkálatokat végez, melyeknél a vágószerszám rejtett elektromos vezetékbe vagy saját vezetékbe ütközhet. A vágószerszám feszültségvezető vezetékkel való érintkezésekor a készülék fém részei is feszültség alá kerülhetnek, és elektromos áramütés következhet be.

• az elektromos szerszám túlterhelése

Ne nyúljon a járó géphe.

A betétszerszám az alkalmazás során felforrósodhat.

FIGYELMEZTETÉS! Egési sérülések veszélye

- szerszámcserékor
- a készülék lerakásakor

A munka közben keletkezett forgácsokat, szilánkokat, törmelékét, stb. csak a készülék teljes leállása után szabad a munkaterületről eltávolítani.

Munka közben a hálózati csatlakozókábelt a sérülés elkerülése érdekében a munkaterületől, illetve a készüléktől távol kell tartani.

Falban, földben, aljzatban történő fúrásnál fokozottan ügyelni kell az elektromos-, víz- és gázvezetésekre.

Biztosítsa a munkadarabot befogó szerkezettel. A nem biztosított munkadarabok súlyos sérüléseket és károkat okozhatnak.

Bármilyen jellegű karbantartás vagy javítás előtt a készüléket áramtalanítani kell.

Ha nagy átmérőjű fúróval dolgozik a segédfogantyút a megfelelő szögbe kell állítani a főfogantyúhoz viszonyítva. (Lásd az illusztrációk fejezetben: "a fogantyú beállítása").

RENDELTESSZERŰ HASZNÁLAT

K545 S: A fúrókalapács általánosan használható ütvefúráshoz, közetekbe történő véséshez és betonban.

K500 S: A bontókalapács használható közetekbe történő véséshez és betonban.

A készüléket kizárólag az alábbiakban leírtaknak megfelelően szabad használni.

CE-AZONOSSÁGI NYILATKOZAT

Gyártóként egyedüli felelősséggel kijelentjük, hogy a „Műszaki Adatok” alatt leírt termék a 2011/65/EK (RoHS), 2014/30/EU, 2006/42/EK irányelvek minden releváns előírásának, ill. az alábbi harmonizált normatív dokumentumoknak megfelel:

EN 60745-1:2009+A11:2010

EN 60745-2-6:2010

EN 55014-1:2017+A11:2020

EN 55014-2:2015

EN 61000-3-2:2014

EN 61000-3-3:2013

EN IEC 63000:2018

Winnenden, 2021-01-21

Alexander Krug

Alexander Krug
Managing Director

Műszaki dokumentáció összeállításra felhatalmazva

Techrnic Industries GmbH

Max-Eyth-Straße 10

71364 Winnenden

Germany



HÁLÓZATI CSATLAKOZTATÁS

Szabadban a dugulját hibaáram-védőkapcsolóval kell ellátni. Az elektromos készülékek üzembehelyezési útmutatása ezt kötelezően előírja (FI, RCD, PRCD). Ügyeljen erre az elektromos kéziszerszámok használatakor is.

A készüléket csak egyfázisú váltóáramra és a teljesítménytáblán megadott hálózati feszültségre csatlakoztassa. A csatlakoztatás védőérintkező nélküli dugaszolóaljzatokra is lehetséges, mivel a készülék felépítése II. védettségi osztályú.

Mielőtt áram alá helyezi a gépet, győződjön meg róla, hogy a gép ki van kapcsolva.

Ez egy professzionális használatra szánt készülék, amely az áram felharmonikusokra vonatkozó irányértékeket a kifestésültség nyilvános hálózathoz való csatlakozásnál kismértékben túllépheti. A készülék kifestésültség nyilvános hálózathoz való csatlakoztatása előtt ezért adott esetben vegye fel a kapcsolatot illetékes energiaszolgáltató vállalatával.

MUNKAVÉGZÉS HIDEGBEN

Ha a gépet hosszabb ideig vagy alacsony hőmérsékleten tárolják, akkor a kenőanyag besűrűsödhet, és előfordulhat, hogy a gép kezdetben nem működik, vagy a teljesítmény túl alacsony. Ilyen esetben:

1. Helyezzen egy fűtőt vagy vésőt a géphe.
2. Helyezze a gépet egy maradék betonarabra.
3. Néhány másodpercenként nyomja le a kapcsológombot, majd engedje el.

15 másodperc és 2 perc közötti idő elteltével a gép normál módon kezd működni. Minél hidegebb a gép, annál tovább tart a felmelegedés.

KARBANTARTÁS

A készülék szellőzőnyílásait mindig tisztán kell tartani.

Az elhasználdott szénkefeket az illetékes márkaszervizzel haladéktalanul kell kicseréltetni, így jelentősen megnövelhető a készülék élettartama és garantált a folyamatos üzemkész állapot.

Ha a hálózati csatlakozóvezeték megsérült, akkor azt ügyfélszolgálati hely által kell kicseréltetni, mert ahhoz speciális szerszám szükséges.

Javításhoz, karbantartáshoz kizárólag Milwaukee alkatrészeket és tartozékokat szabad használni. A készülék azon részeinek cseréjét, amit a kezelési útmutató nem engedélyez, kizárólag a javításra feljogosított márkaszerviz végezheti. (Lásd a szervizlistát)

Szükség esetén a készülékek robbantott ábráját - a készülék típusa és azonosító száma alapján a területileg illetékes Milwaukee márkaszerviztől vagy közvetlenül a gyártótól (Techtronic Industries GmbH, Max-Eyth-Straße 10, 71364 Winnenden, Germany) lehet kérni.

SZÍMBÓLUMOK



FIGYELEM! FIGYELMEZTETÉS! VESZÉLY!



Bármilyen jellegű karbantartás vagy javítás előtt a készüléket áramtalanítani kell.



Kérjük alaposan olvassa el a tájékoztatót mielőtt a gépet használja.



Azokat a tartozékokat, amelyek gyárilag nincsenek a készülékhez mellékelve, külön lehet megrendelni.



Az elektromos eszközöket, elemeket/akkukat nem szabad a háztartási hulladékkal együtt ártalmatlanítani. Az elektromos eszközöket és akkukat szelektíven kell gyűjteni, és azokat környezetbarát ártalmatlanítás céljából hulladékhasznosító üzemben kell leadni. A helyi hatóságoknál vagy szakkereskedőjénél tájékozódjon a hulladékudvarokról és gyűjtőhelyekről.



II. védelmi osztályú elektromos szerszám. Olyan elektromos szerszám, amelynél az elektromos áramütés elleni védelem nem csak az alapszigetelésről függ, hanem amelyben kiegészítő védőintézkedéseket, mint pl. kettős szigetelés vagy megerősített szigetelés, alkalmaznak. Nincs lehetőség védőérintkező csatlakoztatására.



Európai megfelelőségi jelölés



Egyesült királyságbeli megfelelőségi jelölés



Regulatory Compliance Mark (RCM). A termék teljesíti az érvényben lévő előírásokat.



Ukrán megfelelőségi jelölés



Eurázsiai megfelelőségi jelölés

TEHNIČNI PODATKI	K500 S	K545 S
Proizvodna številka.....	4421 66 04...	4632 71 04...
.....	4421 58 04...	4422 01 04...
.....	4326 06 04.....	4421 96 04.....
.....	000001-999999	4324 51 04.....
.....	1300 W.....	000001-999999
Nazivna sprejemna moč.....	650 W.....	1300 W
Oddajna zmogljivost.....	650 W
Število vrtljajev v prostem teku.....	300 min ⁻¹
Število vrtljajev pri obremenitvi maks.....	300 min ⁻¹
bremensko število udarcev maks.....	2840 min ⁻¹	2840 min ⁻¹
Jakost posameznega udarca v skladu z EPTA-Procedure 05/2009.....	8,5 J	8,5 J
Vrtalni ø v betonu.....	45 mm
Tunelni sveder v betonu, opeki in apnenem peščencu.....	65 mm
Votla vrtalna krona v betonu, opeki in apnenem peščencu.....	100 mm
Vpenjalni vrat ø.....	66 mm	66 mm
Teža po EPTA-proceduri 01/2014.....	6,3 kg	6,7 kg

Informacije o hrupnosti K545 S

Vrednosti merjenja ugotovljene ustrezno z EN 60 745.

Raven hrupnosti naprave ovrednotena za A, znaša tipično:

Nivo zvočnega tlaka (Nevarnost K=3dB(A)).....	98,5 dB (A)
Višina zvočnega tlaka (Nevarnost K=3dB(A)).....	109,5 dB (A)

Nosite zaščito za sluh!

Informacije o hrupnosti K500 S

A ocenjeni nivo zvočnega tlaka znaša tipično..... 91 dB (A)

Vrednost merjenja ugotovljena ustrezno z 2005/88/EC na ušesu uporabnika.

2005/88/EC: Postopek za oceno konformnosti po prilogi VI. – navedeno mesto:

VDE Prüf- und Zertifizierungsinstitut, Merianstr. 28,

63069 Offenbach, Germany

Izmerjena višina zvočnega tlaka..... 101 dB (A)

Garantirana višina zvočnega tlaka..... 104 dB (A)

Nosite zaščito za sluh!

Informacije o vibracijah

Skupna vibracijska vrednost (Vektorska vsota treh smerdoločena ustrezno

EN 60745.

Udarno vrtnanje v betonu:

Vibracijska vrednost emisij a_h..... 11,5 m/s²

Nevarnost K=..... 1,5 m/s²

Klesanje

Vibracijska vrednost emisij a_h..... 11,5 m/s²..... 9 m/s²

Nevarnost K=..... 1,9 m/s²..... 1,9 m/s²

OPOZORILO

V teh navodilih navedena raven tresljajev je bila izmerjena po EN60745 normiranem merilnem postopku in lahko služi medsebojni primerjavi električnih orodij. Prav tako je primeren za predhodno oceno obremenitve s tresljaji.

Navedena raven tresljajev navaja najpomembnejše vrste rabe električnega orodja. Kadar se električno orodje uporablja za drugačne namene, z odstopajočimi orodji ali pa z nezadostnim vzdrževanjem, lahko raven tresljajev tudi odstopa. Le to lahko čez celoten delovni čas znatno zviša obremenitev s tresenjem.

Za natančno oceno obremenitve s tresljaji naj bi se upošteval tudi čas v katerem je naprava izklopljena ali sicer teče, vendar dejansko ni v rabi. Le to lahko obremenitev s tresljaji čez celoten delovni čas znatno zmanjša.

Za zaščito upravljalca pred učinkom tresljajev uvedite dodatne zaščitne ukrepe npr.: Vzdrževanje električnega orodja in orodja, delo s toplimi rokami, organizacija delovnih potoke.

⚠ OPOZORILO! Preberite vsa varnostna opozorila in navodila.

Napake zaradi neupoštevanja spodaj navedenih opozoril in napotil lahko povzročijo električni udar, požar in/ali težke telesne poškodbe.

Vsa opozorila in napotila shranite, ker jih boste v prihodnje še potrebovali.

⚠ VARNOSTNA OPOZORILA ZA ROTACIJSKA KLADIVA

Pri udarnem vrtnanju nosite glušnik. Hrup lahko povzroči izgubo sluha.

Uporabite dodatne ročaje, ki so dobavljeni skupaj z napravo. Izguba kontrole lahko povzroči poškodbe.

Kadar izvajate dela pri katerih lahko orodje zadane prikrto električno napeljavno ali lasten vodnik, je napravo potrebno držati za izolirane prijemalne površine. Stik rezalnega orodja z napetostnim vodnikom napeljave lahko privede kovinske dele naprave pod napetost in vodi do električnega udara.

NADALJNA VARNOSTNA IN DELOVNA OPOZORILA

Uporabite zaščitno opremo. Pri delu s strojem vedno nosite zaščitna očala. Priporočajo se zaščitna oblačila, kot npr. maska za zaščito proti prahu, zaščitne rokavice, trdno in neдрseče obuvalo, čelada in zaščita za sluh.

Prah, ki nastaja pri delu, je pogosto zdravju škodljiv in naj ne zaide v telo. Nosite ustrezno masko proti prahu.

Obdelava materialov, iz katerih izhaja ogroženost zdravja (npr. azbest), ni dovoljena.

V primeru blokade orodja napravo takoj izklopite! Naprave ponovno ne vklaplajte dokler je orodje blokirano; pri tem bi lahko prišlo do povratnega udara z velikim reakcijskim momentom. Ugotovite in odpravite vzroke blokade orodja ob upoštevanju varnostnih navodil.

Možni razlogi so lahko:

- Zagozditev v obdelovancu
- prežganje obdelovanega materiala

- Preobremenitev električnega orodja

Ne segajte v stroj v teku.

Orodje lahko med uporabo postane vroče.

OPOZORILO! Nevarnost opeklin

- pri menjavi orodja
- pri odlaganju naprave

Trske ali iveri se pri tekočem stroju ne smejo odstranjevati.

Vedno pazite, da se priključni kabel ne približa področju delovanja stroja. Kabel vedno vodite za strojem.

Pri delih na steni, stropu ali v tleh pazite na električne kable, plinske in vodne napeljave.

Obdelovavec zavarujte z vpenjalno pripravo. Nezavarovani obdelovanci lahko povzročijo težke poškodbe in okvare.

Pred vsemi deli na stroju izvlcite vtičak iz vtičnice.

Pri velikih premerih vrtnice mora biti dodatni ročaj pritrjen pravokotno na glavni ročaj. Glej tudi slikovni del, odstavek "Obračanje ročaja".

UPORABA V SKLADU Z NAMEDNOSTJO

K545 S: Udarni vrtalnik je univerzalno uporaben za udarno vrtnanje in klesanje v kamnu in betonu.

K500 S: Klesarsko kladivo je primerno za klesanje v kamnu in betonu.

Ta naprava se sme uporabiti samo v skladu z namednostjo uporabiti samo za navede namene.

CE-IZJAVA O KONFORMNOSTI

Kot proizvajalec izjavljamo na svojo izključno odgovornost, da je izdelek, opisan pod » Tehnični podatki«, v skladu z vsemi ustreznimi predpisi direktiv 2011/65/EU (RoHS), 2014/30/EU, 2006/42/EG in naslednjimi usklajenimi normativnimi dokumenti:

EN 60745-1:2009+A11:2010

EN 60745-2-6:2010

EN 55014-1:2017+A11:2020

EN 55014-2:2015

EN 61000-3-2:2014

EN 61000-3-3:2013

EN IEC 63000:2018

Winnenden, 2021-01-21



Alexander Krug
Managing Director

Pooblaščen za izdelavo spisov tehnične dokumentacije.

Techtronic Industries GmbH
Max-Eyth-Straße 10
71364 Winnenden
Germany



OMREŽNI PRIKLJUČEK

Vtičnice v zunanem področju morajo biti opremljene z zaščitnimi stikali za okvami tok (FI, RCD, PRCD). To zahteva instalacijski predpis za vašo električno napravo. Prosimo, da to pri uporabi naše naprave upoštevate.

Priključite samo na enofazni izmenični tok in samo na omrežno napetost, ki je označena na tipski ploščici. Priključitev je možna tudi na vtičnice brez zaščitnega kontakta, ker obstaja nadgradnja zaščitnega razreda.

Napravo priključite na vtičnico samo v izklopljenem stanju.

Naprava je pripravljena za profesionalno uporabo. Naprava lahko po priključitvi na javno nizko napetostno omrežje neznatno prekorači orientacijsko vrednost zgornje vrednosti električnega toka. Zaradi tega se pred priključitvijo naprave posvetujte z odgovorno osebo vašega distributerja električne energije.

DELA V HLADNEM VREMENU

Če je stroj skladiščen za daljše obdobje ali pri nizkih temperaturah, se lahko mazivo strdi in stroj na začetku ne more delovati ali pa je moč premajhna. Če se to zgodi:

1. vstavite sveder ali dleto v stroj;
2. namestite stroj na preostali kos betona;
3. pritisčajte stikalo vsakih nekaj sekund in ga znova spustite.

Po 15 sekundah do 2 minut začne stroj normalno točiti. Čim hladnejši je stroj, tem dlje traja segrevanje.

VZDRŽEVANJE

Pazite na to, da so prezračevalne reže stroja vedno čiste.

Pri obrabljenih oglenih krtačkah naj se dodatno zamenjavo oglenih krtačk izvede servisno vzdrževanje v delavnici servisne službe. To podaljša življenjsko dobo stroja in zagotavlja stalno pripravljenost za obratovanje.

V kolikor je priključni omrežni vodnik poškodovan, ga je potrebno s strani servisne službe nadomestiti, ker je za ta namen potrebno posebno orodje.

Uporabljajte samo Milwaukee pribor in nadomestne dele. Poskrbite, da sestavne dele, katerih zamenjava ni opisana, zamenjajo v Milwaukee servisni službi (upoštevajte brošuro Garancija/Naslovi servisnih služb).

Po potrebi se lahko pri vaši servisni službi ali direktno pri Techtronic Industries GmbH naroči eksplozijska risba naprave ob navedbi tipa stroja in številke s tipске ploščice Techtronic Industries GmbH, Max-Eyth-Straße 10, 71364 Winnenden, Germany.

SIMBOLI



POZOR! OPOZORILO! NEVARNO!



Pred vsemi deli na stroju izvlcite vtičak iz vtičnice.



Prosimo, da pred uporabo pozorno preberete to navodilo za uporabo.



Oprema – ni vsebovana v obsegu dobave, priporočeno dopolnilo iz programa opreme.



Električnih naprav, baterij/akumulatorjev ni dovoljeno odstranjevati skupaj z gospodinjskimi odpadki. Električne naprave in akumulatorje je potrebno zbirati ločeno in za okolju prijazno odstranitev, oddati podjetju za reciklažo. Pri krajevnem uradu ali vašem strokovnem prodajalcu se pozanimajte glede reciklažnih dvorišč in zbirnih mest.



Električno orodje zaščitnega razreda II. Električno orodje, pri katerem zaščita pred električnim udarom ni odvisna zgolj od osnovne izolacije, temveč tudi od tega, da so uporabljeni dodatni ukrepi, kot dvojna ali okrepljena izolacija. Ni priprave za priključek zaščitnega vodnika.



Evropska oznaka za združljivost



Britanska oznaka za združljivost



Regulatory Compliance Mark (RCM). Proizvod izpolnjuje veljavne predpise.



Ukrajinska oznaka za združljivost



Evrazijska oznaka za združljivost

TEHNIČKI PODACI	K500 S	K545 S
Broj proizvodnje.....	4421 66 04...	4632 71 04...
.....	4421 58 04...	4422 01 04...
.....	4326 06 04...	4324 51 04...
.....	000001-999999	000001-999999
Snaga nominalnog prijema.....	1300 W.....	1300 W
Predajni učinak.....	650 W.....	650 W
Broj okretaja praznog hoda.....	300 min ⁻¹	300 min ⁻¹
Broj okretaja pod opterećenjem.....	300 min ⁻¹	300 min ⁻¹
Maksimalan broj udara pod opterećenjem.....	2840 min ⁻¹	2840 min ⁻¹
Jačina pojedinačnih udara prema EPTA-Procedure 05/2009.....	8,5 J.....	8,5 J
Bušenje-Ø u beton.....	45 mm	45 mm
Bušać tunela u beton, opeku i silikatnu opeku.....	65 mm	65 mm
Šuplja krunica za bušenje u beton, opeku i silikatnu opeku.....	100 mm	100 mm
Stezno grlo-Ø.....	66 mm.....	66 mm
Težina po EPTA-proceduri 01/2014.....	6,3 kg.....	6,7 kg

Informacije o buci K545 S

Mjerne vrijednosti utvrđene odgovarajuće EN 60 745.

A-ocijenjeni nivo buke aparata iznosi tipično:

Nivo pritiska zvuka (Nesigurnost K=3dB(A))..... 98,5 dB (A)

Nivo učinka zvuka (Nesigurnost K=3dB(A))..... 109,5 dB (A)

Nositi zaštitu sluha!

Informacije o buci K500 S

A-procjenjeni nivo pritiska zvuka aparata iznosi tipično..... 91 dB (A)

Mjerna vrijednost pronajdena odgovarajuće 2005/88/EC na uhu korisnika.

2005/88/EC: Postupak procjene konformnosti po dodatku VL nazvano

mejesto:

VDE institut za provjeru i certifikaciju, Merianstr. 28,

63069 Offenbach, Njemačka

Izmjereni nivo učinka zvuka..... 101 dB (A)

Garantirani nivo učinka zvuka..... 104 dB (A)

Nositi zaštitu sluha!

Informacije o vibracijama

Ukupne vrijednosti vibracije (Vektor suma tri smjersa odmjerene

odgovarajuće EN 60745

Čekično bušenje u beton:

Vrijednost emisije vibracije a_h..... 11,5 m/s²

Nesigurnost K=..... 1,5 m/s²

Klesanje

Vrijednost emisije vibracije a_h..... 11,5 m/s²..... 9 m/s²

Nesigurnost K=..... 1,9 m/s²..... 1,9 m/s²

UPOZORENIE

Ova u ovim uputama navedena razina titranja je bila izmjerena odgovarajuće jednom u EN 60745 normiranom mjernom postupku i može se upotrijebiti za usporedbu električnog alata međusobno. Ona je prikladna i za privremenu procjenu titrajnog opterećenja.

Navedena razina titranja reprezentira glavne primjene električnog alata. Ukoliko se električni alat upotrebljava u druge svrhe sa odstupajućim primijenjenim alatima ili nedovoljnim održavanjem, onda razina titranja može odstupati. To može titrajno opterećenje kroz cijeli period rada bitno povisiti.

Za točnu procjenu titrajnog opterećenja se moraju uzeti u obzir i vremena u kojima je uređaj isključen ili u kojima doduše radi, ali nije i stvarno u upotrebi. To može titrajno opterećenje bitno smanjiti za vrijeme cijelog radnog perioda.

Utvrdite dodatne sigurnosne mjere za zaštitu poslužioaca protiv djelovanja titranja kao npr.: Održavanje električnih alata i upotrebljenih alata, održavanje topline ruku, organizacija i radne postupke.

UPOZORENJE! Pročitajte molimo sve sigurnosna upozorenja i upute. Ako se ne bi poštivala napomene o sigurnosti i upute to bi moglo uzrokovati strujni udar, požar i/ili teške ozljede. Sačuvajte sve napomene o sigurnosti i upute za buduću primjenu.

SIGURNOSNE UPUTE ZA UDARALJKE BUŠAČI ČEKIČ

Kod uradnog bušenja nosite zaštitu za sluh. Djelovanje buke može uzrokovati gubitak sluha.

Koristite dodatne drške koje su isporučene sa aparatom. Gubitak kontrole može prouzročiti povrede.

Držite spravu na izoliranim držačkim površinama kada izvodite radove kod kojih rezački alat može pogoditi skrivene vodove struje ili osobni kabel. Kontakt rezačkog alata sa vodovima koji sprovode naponom može metalne dijelove sprave dovesti pod napon i tako dovesti do električnog udara.

OSTALE SIGURNOSNE I RADNE UPUTE

Upotrebljavati zaštitnu opremu. Kod radova sa strojem uvijek nositi zaštitne naočale. Preporučuje se zaštitna odjeća, kao zaštitna maska protiv prašine, zaštitne rukavice, čvrste i protiv klizanja sigurne cipele, šljem i zaštitu sluha.

Prašina koja nastaje prilikom rada je često nezdrava i ne bi smjela dospjeti u tijelo. Nositi prikladnu zaštitnu masku protiv prašine.

Ne smiju se obrađivati nikakvi materijali, od kojih prijeti opasnost po zdravlje (npr. azbest).

Kod blokiranja alata koji se upotrebljava uređaj molimo odmah isključiti! Uređaj nemojte ponovno uključiti za vrijeme dok je alat koji se upotrebljava blokiran; time može doći do povratnog udara sa visokim reakcijskim momentom. Pronađite i otklonite uzrok blokiranja alata koji se upotrebljava uz poštivanje sigurnosnih uputa.

Mogući uzroci tome mogu biti:

- Izobličavanje u izratku koji se obrađuje
- Probijanje materijala koji se obrađuje
- Preopterećenje električnog alata

Nemojte sezati u stroj koji radi.

Upotrebljeni alat se može za vrijeme korištenja zagrijati.

UPOZORENIE! Opasnost od opekotina

- kod promjene alata
- kod odlaganja uređaja

Piljevina ili i verje se za vrijeme rada stroja ne smiju odstranjivati.

Priključni kabel uvijek držati udaljenim sa područja djelovanja. Kabel uvijek voditi od stroja prema nazad.

Kod radova na zidu, stropu ili podu paziti na električne kablove kao i vodove plina i vode.

Osigurajte vaš izradak jednim steznim uređenjem. Neosigurani izradci mogu prouzročiti teške povrede i oštećenja.

Prije radova na stroju izvući utikač iz utičnice.

Kod velikih promjera bušenja mora dodatna ručka biti pričvršćena pravokutno prema glavnoj ručki. Vidi i sliku, odsječak "Ručku zaokrenuti".

PROPISNA UPOTREBA

K545 S: Bušedi čekić je univerzalno upotrebljiv za čekično bušenje i klesanje u kamenu i betonu.

K500 S: Čekič je upotrebljiv za klesanje u kamenju i betonu.

Ovaj aparat se smije upotrijebiti samo u određene svrhe kao što je navedeno.

CE-IZJAVA KONFORMNOSTI

Izjavljujemo kao proizvođač na osobnu odgovornost, da je proizvod, opisan pod "Tehnički podaci" sukladan sa svim relevantnim propisima smjernica 2011/65/EU (RoHS), 2014/30/EU, 2006/42/EG i sa slijedećim harmoniziranim normativnim dokumentima:

EN 60745-1:2009+A11:2010

EN 60745-2-6:2010

EN 55014-1:2017+A11:2020

EN 55014-2:2015

EN 61000-3-2:2014

EN 61000-3-3:2013

EN IEC 63000:2018

Winnenden, 2021-01-21



Alexander Krug
Managing Director



Ovlašten za formiranje tehničke dokumentacije.

Techtronic Industries GmbH

Max-Eyth-Straße 10

71364 Winnenden

Germany

PRIKLJUČAK NA MREŽU

Utičnice na vanjskom području moraju biti opremljene zaštitnim prekidačima za pogrešnu struju (FI, RCD, PRCD). To zahtjeva instalacijski propis za električne uređaje. Molimo da ovo pošujete prilikom upotrebe našeg aparata.

Priključiti samo na jednofaznu naizmjeničnu struju i samo na napon struje, naveden na pločici snage. Priključak je moguć i na utičnice bez zaštitnog kontakta, jer postoji dogradnja zaštitne klase II.

Uređaj priključiti na utičnicu samo kada je isključen.

Uređaj je podešen za profesionalnu upotrebu. Prilikom priključivanja na javnu električnu mrežu niskog napona, uređaj može neznatno prekoračiti orijentacijsku vrijednost gornjih valova električnog toka. Iz toga razloga prije priključivanja kontaktirajte Vašeg pristojnog dobavljača električne energije.

RAD NA HLADNOĆI

Kada se stroj za duže vrijeme ili kod niskih temperatura uskladišti, podmazivanje može postati viskozno i moguće je da stroj na početku ne radi odmah ili da je snaga premala. Ako se to desi:

1. Umetnite u stroj svrdlo ili dljetlo.
2. Stroj postavite na jedan preostali komad betona.
3. Aktivirajte pritisnu tipku svakih nekoliko sekunda i opet ju ispustite.

Poslije 15 sekunda do 2 minute stroj počinje normalno udarati čekićem. Što je stroj hladniji, to dulje traje zagrijavanje.

ODRŽAVANJE

Preoze za prozračivanje stroja uvijek držati čistima.

Kod istrošenih ugljenih četkica bi se uz zamjenu ugljenih četkica trebalo dodatno provesti servis u nekoj servisnoj radionici. To povećava vjek trajanja stroja i jamči stalnu spremnost pogona.

Ako je mrežni priključni vod oštećen, mora se od strane servisa zamijeniti, zato što je za to potreban specijalan alat.

Primijeniti samo Milwaukee opremu i rezervne dijelove. Sastavne dijelove, čija zamjena nije opisana, dati zamijeniti kod jedne od Milwaukee servisnih službi (poštivati brošuru Garancija/Adrese servisa).

Po potrebi se može zatražiti crtež eksplozije aparata uz davanje podataka o tipu stroja i desetoznamenkastog broja na pločici snage kod Vaše servisne službe ili direktno kod Techtronic Industries GmbH, Max-Eyth-Straße 10, 71364 Winnenden, Germany.

SIMBOLI



PAŽNJA! UPOZORENIE! OPASNOST!



Prije radova na stroju izvući utikač iz utičnice.



Molimo da pažljivo pročitate uputu o upotrebi prije puštanja u rad.



Oprema - u opsegu isporuke nije sadržana, preporučena dopuna iz programa opreme.



Elektrouređaji, baterije/akumulatori se ne smiju zbrinjavati skupa sa kućnim smećem. Električni uređaji akumulatori se moraju skupljati odvojeno i predati na zbrinjavanje primjereno okolišu jednom od pogona za iskorišćavanje. Raspitajte se kod mjesnih vlasti ili kod stručnog trgovca u svezi gospodarstva za recikliranje i mjesta skupljanja.



Električni alat zaštitne kategorije II. Električni alat, čija zaštita od jednog električnog udara ne zavisi samo od osnovne izolacije, već i od toga, da se primijene dodatne zaštitne mjere, kao što su dvostruka izolacija ili pojačana izolacija. Ne postoji nikakva naprava za priključak nekog zaštitnog voda.



Europski znak suglasnosti



Britanski znak suglasnosti



Regulatory Compliance Mark (RCM). Proizvod ispunjava vaļane propise.



Ukrajinski znak suglasnosti



Euroazijski znak suglasnosti

TEHNISKIE DATI	K500 S	K545 S
Izlaides numurs	4421 66 04...	4632 71 04...
.....	4421 58 04...	4422 01 04...
.....	4421 96 04...	4421 96 04...
.....	4326 06 04...	4324 51 04...
.....	000001-999999	000001-999999
Nominālā atdotā jauda.....	1300 W.....	1300 W
Cietkoks.....	650 W.....	650 W
Apgriezieni tukšgaitā	300 min ⁻¹	300 min ⁻¹
maks. apgriezienu skaits ar slodzi.....	300 min ⁻¹	300 min ⁻¹
maks. sitienu biežums ar slodzi.....	2840 min ⁻¹	2840 min ⁻¹
Atsevišķo triecienu enerģija atbilstoši EPTA-Procedure 05/2009	8,5 J.....	8,5 J
Urbsanas diametrs betonā	45 mm.....	45 mm
Tuneļurbis betonam, kļieģeļiem un kaļķsmilšakmenim	65 mm.....	65 mm
Dobs kroņurbis betonam, kļieģeļiem un kaļķsmilšakmenim	100 mm.....	100 mm
Kakla diametrs.....	66 mm.....	66 mm
Svars atbilstoši EPTA -Procedure 01/2014.....	6,3 kg.....	6,7 kg

Trokšņu informācija K545 S

Vērtības, kas noteiktas saskaņā ar EN 60 745.

A novērtētās aparatūras skaņas līmenis ir:

Trokšņa spiediena līmenis (Nedrošība K=3dB(A)).....	98,5 dB (A)
Trokšņa jaudas līmenis (Nedrošība K=3dB(A)).....	109,5 dB (A)

Nēsāt trokšņa slāpētāju!

Trokšņu informācija K500 S

Instrumenta tipiskais pēc A vērtētais trokšņa spiediena līmenis parasti sastāda

Vērtības, kas noteiktas saskaņā ar 2005/88/EK pie lietotāja auss.

2005/88/EK: Konformitātes novērtēšanas process saskaņā ar VI.pielikumu.

Minētā vieta:

VDE Eksaminēšanas un sertificēšanas institūts, adrese: Merianstr. 28, 63069

Offenbach, Vācija.

Izmērītais trokšņa jaudas līmenis

Garantētais trokšņa jaudas līmenis

Nēsāt trokšņa slāpētāju!

Vibrāciju informācija

Svārstību kopējā vērtība (Trīs virzienu vektoru summtiek noteikta atbilstoši EN

60745.

Urbsana betonā:

Svārstību emisijas vērtība a_w.....

Nedrošība K=.....

Skaldīšana

Svārstību emisijas vērtība a_w.....

Nedrošība K=.....

UZMANĪBU

Instrukcijā norādītā svārstību robežvērtība ir izmērīta mērījumu procesā, kas veikts atbilstoši standartam EN 60745, un to var izmantot elektroinstrumentu savstarpējai salīdzināšanai. Tā ir piemērota arī svārstību noslogojuma pagaidu izvērtēšanai.

Norādītā svārstību robežvērtība ir reprezentatīva elektroinstrumenta pamata pielietojuma jomām. Tomēr, ja elektroinstrumenti tiek pielietoti citās jomās, papildus izmantojot neatbilstošus elektroinstrumentus vai pēc nepietiekamas tehniskās apkopes, tad svārstību robežvērtība var atšķirties. Tas var ievērojami palielināt svārstību noslogojumu visa darba laikā.

Precīzai svārstību noslogojuma noteikšanai, ir jāņem vērā arī laiks, kad ierīces ir izslēgta vai arī ir ieslēgta, tomēr faktiski netiek lietota. Tas var ievērojami samazināt svārstību noslogojumu visa darba laikā.

Integrējiet papildus drošības pasākumus pret svārstību ietekmi lietotājam, piemēram: elektroinstrumentu un darba instrumentu tehniskā apkope, roku siltuma uzturēšana, darba procesu organizācija.

⚠ BRĪDINĀJUMS! Izlasiet visus drošības brīdinājumus un instrukcijas.

Seit sniegto drošības noteikumu un norādījumu neievērošana var izraisīt aizdegšanos un būt par cēloni elektriskajam triecienam vai nopietnam savainojumam. **Pēc izlasīšanas uzglabājiet šos noteikumus turpmāai izmantošanai.**

⚠ DROŠĪBAS NORĀDĪJUMI DARBĀ AR ROTĒJOŠAIS ĀMURS

Lietojiet dzirdes aizsargu, izmantojot āmurburi. Trokšņa iedarbība var izraisīt dzirdes zudumu.

Lietojiet instrumentam pievienotos papildus rokturus. Zaudējot kontroli, var gūt ievainojumus.

Ļeŗci turiet aiz izolētiem rokturiem, ja veicat darbus, kuros griešanas darbiem izmantojamais instruments var skart paslēptus elektrovadus vai pats savu kabeli. Šī instrumenta saskare ar strāvu vadošiem kabeļiem var radīt spriegumu arī ierīces metālisķājs daļās un var izraisīt elektrisko triecienu.

CITAS DROŠĪBAS UN DARBA INSTRUKCIJAS

Jāizmanto aizsargaprīkojums. Strādājot ar mašīnu, vienmēr jānēsā aizsargbrilles. Ieteicams nēsāt aizsargapgērbu, kā piemēram, aizsargmasku, aizsargcimdus, kurpes no stingra un nesīdīga materiāla, ķiveri un ausu aizsargus.

Puteklī, kas rodas darba gaitā, bieži ir kaitīgi veselībai un tiem nevajadzētu nokļūt organismā. Jānēsā piemērota maska, kas pasargā no putekļiem.

Nedrīkst apstrādāt materiālus, kas rada draudus veselībai (piemēram, azbestu).

Ja izmantojamais darba rīks tiek bloķēts, nekavējoties izslēgt ierīci! Neieslēdziet ierīci, kamēr izmantojamais darba rīks ir bloķēts; var rasties atsitieni ar augstu griezes momentu. Noskaidrojiet un novērsiet izmantojamā darba rīka bloķēšanas iemeslu, ievērojot visas drošības norādes.

Iespējamie iemesli:

- iesprūdis apstrādājamajā materiālā
- apstrādājamais materiāls ir caursists
- elektroinstrumentis ir pārslogots

I+AA2eslēgtai ierīcei nepieskarties.

Izmantojamais darba rīks darba gaitā var stipri sakarst.

UZMANĪBU! Bīstamība apdedzināties

- veicot darba rīka nomaiņu
- noliekot iekārtu

Skaidas un atlūzas nedrīkst ņemt ārā, kamēr mašina darbojas.

Pievienojuma kabeli vienmēr turēt atstatus no mašīnas darbības lauka. Kabelim vienmēr jāatrodas aiz mašīnas.

Veicot darbus sienu, griestu un grīdas apvidū, vajag uzmanīties, lai nesabojātu elektriskos, gāzes un ūdens vadus.

Fiksējiet apstrādājamo materiālu ar fiksācijas aprīkojumu. Nenostiprināti materiāli var izraisīt smagus savainojumus un bojājumus.

Pirms jebkādiem darbiem, kas attiecas uz mašīnas apkopi, mašīnu noteikti vajag atvienot no kontaktlīdzdas.

Pie liela urbsanas diametra papildus rokturi vajag piestiprināt perpendikulāri galvenajam rokturim. Skat. arī attēlus nodaļā "Pagriezti rokturi".

NOTEIKUMIEM ATBILSTOŠS IZMANTOJUMS

K545 S: Atskaldāmās āmurs ir universāli izmantojams urbsanai un akmens un betona skaldīšanai.

K500 S: Āmurs ir izmantojams akmens un betona skaldīšanai.

Šo instrumentu drīkst izmantot tikai saskaņā ar minētajiem lietošanas noteikumiem.

ATBILSTĪBA CE NORMĀM

Mēs kā ražotājs vienīgā atbildīgā persona apliecinām, ka mūsu "Tehniskajos datos" raksturotais produkts atbilst visām attiecīgajām Direktīvu 2011/65/ES (RoHS), 2014/30/ES, 2006/42/EK normām un šādiem saskaņotiem normatīvajiem dokumentiem:

EN 60745-1:2009+A11:2010

EN 60745-2-6:2010

EN 55014-1:2017+A11:2020

EN 55014-2:2015

EN 61000-3-2:2014

EN 61000-3-3:2013

EN IEC 63000:2018

Winnenden, 2021-01-21



Alexander Krug
Managing Director

Pilnvarotais tehniskās dokumentācijas sastādītājs.

Technion Industries GmbH

Max-Eyth-Straße 10

71364 Winnenden

Germany



ŦĪKLA PIESLĒGUMS

Kontaktlīdzdam, kas atrodas ārpus telpām jābūt aprīkotām ar automātiskiem drošinātājslēdzīem, kas nostrādā, ja strāvas plūsmā radušies (FI, RCD, PRCD) bojājumi. To pieprasa jūsu elektroiekārtas instalācijas noteikumi. Lūdzu, to ņemt vērā, izmantojot mūsu instrumentus.

Pieslēgt tikai vienpola maiņstrāvas tīklam un tikai spriegumam, kas norādīts uz jaudas panela. Pieslēgums iespējams arī kontaktlīdzdam bez aizsargkontaktiem, jo runa ir par uzbūvi, kas atbilst II. aizsargklasei.

Instrumentu pieslēgt kontaktlīdzdai tikai izslēgtā stāvoklī.

Iekārta ir paredzēta profesionālajai lietošanai. Pieslēdzot iekārtu pie parastā zema sprieguma tīkla, var tikt negatīvi ietekmēta zema sprieguma tīkla darbība. Pirms pieslēgt iekārtu pie zema sprieguma tīkla lūdzu sazināties ar vietējo elektroenerģijas piegādātāju.

DARBI AUKSTOS LAIKAPSTĀKĻOS

Ja mašina tiek uzglabāta ilgāku laika periodu vai zemās temperatūrās, eļļa var kļūt stingra un mašīna sākumā var nestrādāt vai arī strādāt ar nepietiekamu jaudu. Ja tā notiek:

1. ievietojiet mašīnā urbi vai katlu.
2. Novietojiet mašīnu uz betona gabala.
3. Nospiediet atlatidiet slēdzi ik pēc pāris sekundēm.

Mašina atsāk normālu darbību pēc 15 sekundēm līdz 2 minūtēm. Jo aukstāka ir mašina, jo ilgāk notiek uzsilšana.

APKOPE

Vajag vienmēr uzmanīti, lai būtu tīras dzesēšanas atveres.

Ja ir nolietotais elektromotora ogļites, papildus to nomainai būtu jāveic instrumenta apskate sevis darbīnīcā. Tas pagarinās mašīnas kalpošanas ilgumu un garantēs tās pastāvīgu darbību.

Ja ir bojāts tīkla pieslēguma vads, tad tā apmaiņa jāuzdod klientu apkalpošanas servisam, kuram ir nepieciešami speciālie darba rīki.

Izmantojiet tikai firmu Milwaukee piederumus un firmas rezerves daļas. Lieciet nomainīt detaļas, kuru nomaina nav aprakstīta, kādā no firmu Milwaukee klientu apkalpošanas servisiem. (Skat. brošūru "Garantija/klientu apkalpošanas serviss").

Ja nepieciešams, klientu apkalpošanas servisā vai tieši pie firmas Techtronic Industries GmbH, Max-Eyth-Straße 10, 71364 Winnenden, Germany, var pieprasīt instrumenta numurs, kas norādīts uz jaudas panela.

SIMBOLI



UZMANĪBU! BĪSTAMI!



Pirms jebkādiem darbiem, kas attiecas uz mašīnas apkopi, mašīnu noteikti vajag atvienot no kontaktlīdzdas.



Pirms sākt lietot instrumentu, lūdzu, izlasiet lietošanas pamācību.



Piederumi - standartaprīkojumā neietvertās, bet ieteicamās papildus komplektācijas detaļas no piederumu programmas.



Elektriskos aparātus, baterijas/akumulatorus nedrīkst izlietēt kopā ar mājaisniecības atkritumiem. Elektriski aparāti un akumulatori ir jāsavāc atsevišķi un jānodod atkritumu pārstrādes uzņēmumā videi saudzīgai izlietošanai. Jautājiet vietējā iestādē vai savam specializētajam tirgotājam, kur atrodas atkritumu pārstrādes uzņēmumi vai savākšanas punkti.



II aizsardzības klases elektroinstrumenti. Elektroinstrumenti, kuram aizsardzība pret elektrisko triecienu ir atkarīga ne tikai no pamata izolācijas, bet arī no tā, ka tiek piemēroti papildu aizsardzības pasākumi, piemēram, dubultā izolācija vai pastiprināta izolācija. Aizsarga pieslēgšanai instrumenti nav paredzēti.



Eiropas atbilstības zīme



Lielbritānijas atbilstības zīme



Regulatory Compliance Mark (RCM). Produkts atbilst spēkā esošajiem noteikumiem.



Ukrainas atbilstības zīme



Eirāzijas atbilstības zīme

TECHNINIAI DUOMENYS	K500 S	K545 S
Produkto numeris	4632 71 04...	4632 71 04...
.....	4421 66 04...	4422 01 04...
.....	4421 58 04...	4421 96 04...
.....	4326 06 04...	4324 51 04...
.....	000001-999999	000001-999999
Vardinė imamoji galia	1300 W.....	1300 W
Išėjimo galia.....	650 W.....	650 W
Sūkių skaičius laisva eiga.....	300 min ⁻¹	300 min ⁻¹
Sūkių skaičius su aprova maks.....	300 min ⁻¹	300 min ⁻¹
Maks. smūgių skaičius su aprova	2840 min ⁻¹	2840 min ⁻¹
Smūgio energija pagal „EPTA-Procedure 05/2009“	8,5 J	8,5 J
Gręžimo ø betone	45 mm	45 mm
Cilindrinis gražtas betonui, degintoms ir silikatinėms plytoms	65 mm	65 mm
Vamzdinė gręžimo galvatė betonui, degintoms ir silikatinėms plytoms	100 mm	100 mm
Ivėrži mo asies ø	66 mm	66 mm
Prietaiso svoris įvertintas pagal EPTA 01/2014 tyrimų metodiką.....	6,3 kg	6,7 kg

Informacija apie keliamą triukšmą K545 S

Vertės matuotos pagal EN 60 745.

Įvertintas A įrenginio keliamo triukšmo lygis dažniausiai sudaro:

Garso slėgio lygis (Paklaida K=3dB(A))	98,5 dB (A)
Garso galios lygis (Paklaida K=3dB(A))	109,5 dB (A)

Nešioti klausos apsaugines priemones!

Informacija apie keliamą triukšmą K500 S

Prietaisui būdingas garso slėgio lygis, koreguotas pagal A dažnio

charakteristiką..... 91 dB (A)

Vertės matuotos pagal 2005/88/EB ties dirbančiojo ausimi.

2005/88/EB: Atitikties įvertinimo procedūra pagal priedą VI. Įgaliota instancija:

„VDE Prüf- und Zertifizierungsinstitut“, Merianstr. 28, 63069 Offenbach, Vokietija

Išmatuotas garso galios lygis.....	101 dB (A)
Garantuojamas garso galios lygis.....	104 dB (A)

Nešioti klausos apsaugines priemones!

Informacija apie vibraciją

Bendroji svyravimų reikšmė (trijų krypčių vektorių suma), nustatyta remiantis EN 60745.

Gręžimas betone:

Vibravimų emisijos reikšmė a _w	11,5 m/s ²
Paklaida K=.....	1,5 m/s ²

Atskėlimas

Vibravimų emisijos reikšmė a _w	11,5 m/s ²	9 m/s ²
Paklaida K=.....	1,9 m/s ²	1,9 m/s ²

DĖMESIO

Instrukcijoje nurodyta svyravimų ribinė vertė yra išmatuota remiantis standartu EN 60745; ji gali būti naudojama keliems elektriniams instrumentams palyginti. Ji taikoma ir laikinai įvertinti svyravimų apkrova.

Nurodyta svyravimų ribinė vertė yra taikoma pagrindinėse elektrinio instrumento naudojimo srityse. Svyravimų ribinė vertė gali skirtis naudojant elektrinį instrumentą kitose srityse, papildomai naudojant netinkamus elektrinius instrumentus arba juos nepakankamai techniškai prižiūrint. Dėl to viso darbo metu gali žymiai padidėti svyravimų apkrova.

Siekiant tiksliai nustatyti svyravimų apkrovą, būtina atsižvelgti ir į laikotarpį, kai įrenginis yra išjungtas arba įjungtas, tačiau faktiškai nenaudojamas. Dėl to viso darbo metu gali žymiai sumažėti svyravimų apkrova.

Siekiant apsaugoti vartotojus nuo svyravimo įtakos naudojamos papildomos saugos priemonės, pavyzdžiui, elektrinių darbo instrumentų techninė priežiūra, rankų šilumos palaikymas, darbo procesų organizavimas.

⚠️ ĮSPĖJIMAS! Perskaitykite visus saugos nurodymus ir instrukcijas. Jei nepaisysite žemiau pateiktų saugos nuorodų ir reikalavimų, gali trenkti elektros smūgis, kilti gaisras ir/arba galite sunkiai susižaloti arba sužaloti kitus asmenis. **Išsaugokite šias saugos nuorodas ir reikalavimus, kad ir ateityje galėtumėte jais pasinaudoti.**

⚠️ SUKAMASIS PIAKTUKAS SAUGUMO NURODYMAI

Dirbdami su smūginiu gražtu, visuomet naudokite apsaugines ausų priemones. Dėl didelio triukšmo poveikio gali būti pažeidžiama klausos.

Naudokite į prietaiso komplektaciją įeinančias papildomas rankenas. Nesuvaldžius prietaiso galima susižeisti.

Dirbdami laikykite prietaisą už izoliuotų vietų, kuriose plovimo įrenginys pats galėtų liesti paslėptus laidus arba savo paties laidą.

Plovimo įrenginio kontaktas su įtampos laidais gali įelektrinti metalines prietaiso dalis, o tai gali sukelti elektros iškvovą.

KITI SAUGUMO IR DARBO NURODYMAI

Dėvėkite apsaugines priemones. Dirbdami su mašina visada užsidėkite apsauginius akinius. Rekomenduotina dėvėti apsaugines priemones: apsaugos nuo dulkių respiratorius, apsaugines pirštines, kietus batus neslidžiais padais, šalimą ir klausos apsaugos priemones.

Darbo metu susidarančios dulkės yra dažnai kenksmingos sveikatai ir todėl turėtų nepatekti į organizmą. Dėvėti tinkamą apsauginę kaukę nuo dulkių.

Negalima apdirbti medžiagų, dėl kurių gali būti sveikatos pažeidimai (pvz., asbesto).

Blokuojant įstatomąjį įrankį būtina išjungti prietaisą! Neįjunkite prietaiso, kol įstatomasis įrankis yra užblokuotas; galimas grįžtamasis smūgis su dideliu sukimo momentu. Atsižvelgdami į saugumo nurodymus, nustatykite ir pašalinkite įstatomojo įrankio blokavimo priežastį.

Galimos priežastys:

- Susidariusios apdirbimo ruošinio briaunos
- Apdirbamos medžiagos pratrūkimas
- Elektros įrankio perkrova

Neikiškite rankų į veikiančią mašiną.

Naudojamas įstatomasis įrankis gali įkaišti.

DĖMESIO! Pavojus nusideginti

- keičiant įrankį
- padedant prietaisą

Draudžiama išiminėti drožles ar nuopjovas, įrenginiui veikiant.

Maitinimo kabelis turi nebūti įrenginio poveikio srityje. Kabelį visada nuveskite iš galinės įrenginio pusės.

Dirbdami sienoje, lubose arba grindyse, atkreipkite dėmesį į elektros laidus, dujų ir vandens vamzdžius.

Ruošinį užfiksuokite įtempimo įrenginiu. Neužfiksuoti ruošiniai gali sunkiai sužaloti ir būti pažeidimų priežastimi.

Prieš atikdami bet kokius įrenginyje, ištraukite iš lizdo kištuką.

Atliekant didesnio skersmens gręžimus, papildomą rankeną reikia pritvirtinti statmenai pagrindinei rankenai. Žr. ir iliustracijų dalyje esantį skyrelį: „Rankenos persukimas“.

NAUDOJIMAS PAGAL PASKIRTĮ

K545 S: Smūginį gręžtuvą galima universaliai naudoti smūginiam gręžimui bei kalimui uolienoje ir betone.

K500 S: Atskėlimo plaktuką galima naudoti uolienų ir betono atskėlimui.

Šį prietaisą leidžiama naudoti tik pagal nurodytą paskirtį.

CE ATITIKTIES PAREIŠKIMAS

Kaip gamintojas atsakingai pareiškiamo, kad gaminys, aprašytas skyriuje „Techniniai duomenys“, atitinka visus 2011/65/ES (RoHS), 2014/30/ES, 2006/42/EB direktyvas ir šių darnųjų norminių dokumentų taikomus reikalavimus:

- EN 60745-1:2009+A11:2010
- EN 60745-2-6:2010
- EN 55014-1:2017+A11:2020
- EN 55014-2:2015
- EN 61000-3-2:2014
- EN 61000-3-3:2013
- EN IEC 63000:2018

Winnenden, 2021-01-21

Alexander Krug

Alexander Krug
Managing Director



Įgaliotas parengti techninius dokumentus.

Techtronic Industries GmbH

Max-Eyth-Straße 10

71364 Winnenden

Germany

ELEKTROS TINKLO JUNGTIŠ

Lauke esantys el. lizdai turi būti su gedimo srovės išjungikliais. Tai nurodyta Jūsų elektros įrenginio instaliacijos taisyklėse (FI, RCD, PRCD). Atsižvelkite į tai, naudodami prietaisą.

Jungti tik prie vienfazės kintamos elektros srovės ir tik į specifikaacijų lentelėje nurodytos įtampos elektros tinklą. Konstrukcijos saugos klasė II, todėl galima jungti ir į lizdus be apsauginio kontakto.

Į elektros tinklą junkkite tik išjungtą prietaisą.

Šis prietaisas skirtas profesionaliam naudojimui, todėl jungiamas prie viešojo žemos įtampos tinklo, susisiekiama su energiją tiekiančiąja įmone. Todėl reikalui esant, prieš jungdami prietaisą prie viešojo žemos įtampos tinklo, susisiekiama su energiją tiekiančiąja įmone.

DARBAS ESANT ŠALČIUI

Jei įrankis sandėliuojamas ilgesnį laiką arba esant žemai temperatūrai, sutepti gali pasidaryti sudėtinga ir įrankis iš pradžių gali neveikti arba pasidaryti per mažą jo galia. Jei taip atsitinka:

1. įstatykite gražtą arba kaltą į įrankį;
2. padėkite įrankį ant betono gabalo;
3. kas dvi sekundes spauskite jungiklio mygtuką ir vėl jį atleiskite;

Po 15 sekundžių – 2 minučių įrankis pradeda veikti įprastai. Kuo šaltesnis įrankis, tuo daugiau laiko prireiks atšilti.

TECHNINIS APTARNAVIMAS

Įrenginio vėdinimo angos visada turi būti švarios.

Keičiant susidėvėjusius anglinius šepetėlius, be šepetėlių keitimo aptarnavimo dirbtuvėse keiktų atlikti techninį prietaiso aptarnavimą. Tai prailgina įrenginio tarnavimo laiką ir užtikrina nuolatinę parengtį darbui.

Jeigu pažeistas elektros laidas, pakeiskite jį remonto dirbtuvėje, nes tam reikia specialaus prietaiso.

Naudokite tik Milwaukee priedus ir atsargines dalis. Dalis, kurių keitimas neaprašytas, leidžiama keisti tik Milwaukee klientų aptarnavimo skyriams (žr. garantiją/klientų aptarnavimo skyrių adresus brošiūroje).

Jei reikia, nurodant įrenginio tipą bei specifikaacijų lentelėje esantį numerį, iš klientų aptarnavimo skyriaus arba tiesiai iš Techtronic Industries GmbH, Max-Eyth-Straße 10, 71364 Winnenden, Germany, galima užsisakyti prietaiso surinkimo brėžinius.

SIMBOLIAI



DĖMESIO! ĮSPĖJIMAS! PAVOJUS!



Prieš atikdami bet kokius įrenginyje, ištraukite iš lizdo kištuką.



Prieš pradėdami dirbti su prietaisu, atidžiai perskaitykite jo naudojimo instrukciją.



Priedas – neįeina į tiekimo komplektaciją, rekomenduojamas papildymas iš priedų asortimento.



Elektros prietaisų, baterijų/akumuliatorių šalinti kartu su buitinėmis atliekomis negalima. Elektros prietaisus ir akumuliatorius reikia surinkti atskirai ir atiduoti perdirbimo įmonei, kad būtų pašalinti aplinkai saugiu būdu. Vietos valdžios institucijose arba specializuotose prekybos vietose pasidomėkite apie perdirbimo ir surinkimo centrus.



II apsaugos klasės elektrinis įrankis. Šio elektrinio įrankio apsauga nuo elektros smūgio priklauso ne tik nuo pagrindinės izoliacijos, bet ir nuo to, kaip naudojamos papildomos apsauginės priemonės, tokios kaip dviguba arba pagerinta izoliacija. Nėra jokio prietaiso apsauginio laido pajungimui.



Europos atitikties ženklas



Britanijos atitikties ženklas



Regulatorius „Compliance Mark“ (RCM). Produktas atitinka galiojančias taisykles.



Ukrainos atitikties ženklas



Eurazijos atitikties ženklas

TEHNILISED ANDMED	K500 S	K545 S
Tootmisnumber	4632 71 04...	4632 71 04...
.....	4421 66 04...	4422 01 04...
.....	4421 58 04...	4421 96 04...
.....	4326 06 04...	4324 51 04...
.....	000001-999999	000001-999999
Nimitarbitime.....	1300 W.....	1300 W
Väljundvõimsus	650 W.....	650 W
Pöörlemiskiirus tühijooksul	300 min ⁻¹	300 min ⁻¹
Maks pöörlemiskiirus koormusega	300 min ⁻¹	300 min ⁻¹
Löökide arv koormusega maks.....	2840 min ⁻¹	2840 min ⁻¹
Löögitugevus EPTA-Procedure 05/2009 kohaselt	8,5 J	8,5 J
Puuri ø betoonis	45 mm	45 mm
Tunnelpuur betoonis, tellistes ja silikaatkiivides	65 mm	65 mm
Õones-kroonpuur betoonis, tellistes ja silikaatkiivides	100 mm	100 mm
Kinnituskaela ø	66 mm	66 mm
Kaal vastavalt EPTA-protseduurile 01/2014	6,3 kg	6,7 kg

Müra andmed K545 S
Mõõteväärtused on kindlaks tehtud vastavalt normile EN 60 745.

Seadme tüüpiline hinnanguline (A) müratase: Helirõhutase (Määramatus K=3dB(A)).....	98,5 dB (A)
Helivõimsuse tase (Määramatus K=3dB(A)).....	109,5 dB (A)

Kandke kaitseks kõrvaklappe!

Müra andmed K500 S Seadme A-filtriga hinnatud helirõhutase on tüüpiliselt.....	91 dB (A)
---	-----------

Mõõteväärtus on kindlaks tehtud kasutaja kõrva juures vastavalt direktiivile 2005/88/EÜ.

2005/88/EÜ: vastavahindamismenetlus vastavalt lisale VI. Teavitatud asutus:
VDE Prüf- und Zertifizierungsinstitut, Merianstr. 28,
63069 Offenbach, Saksamaa.

Möödetud müravõimsuse tase.....	101 dB (A)
Garanteeritud müravõimsuse tase.....	104 dB (A)

Kandke kaitseks kõrvaklappe!

Vibratsiooni andmed
Vibratsiooni koguväärtus (kolme suuna vektorsummöödetud EN 60745 järgi.

Puurimine betoonis: Vibratsiooni emissiooni väärtus a _v	11,5 m/s ²
Määramatus K=	1,5 m/s ²
Meiseldamine Vibratsiooni emissiooni väärtus a _h	11,5 m/s ² 9 m/s ²
Määramatus K=	1,9 m/s ² 1,9 m/s ²

TÄHELEPANU

Antud juhendis toodud võnketase on möödetud EN 60745 standardile vastava mõõtesüsteemiga ning seda võib kasutada erinevate elektriseadmete omavahelises võrdlemises. Antud näitaja sobib ka esmaseks võnkekoormuse hindamiseks.

Antud võnketase kehtib elektriseadme kasutamisel sihtotstarbeliselt. Kui elektriseadet kasutatakse muudel otstarvetel, muude tööriistadega või seda ei hooldata piisavalt võib võnketase siintoodust erineda. Eeltoodu võib võnketaset märkimisväärselt tõsta terves töökeskkonnas.

Võnketaseme täpsaks hindamiseks tuleks arvestada ka aega, mil seade on välja lülitatud või on küll sisse lülitatud, kuid ei ole otseselt kasutuses. See võib märgatavalt vähendada kogu töökeskkonna võnketaset.

Rakendage spetsiaalseid ettevaatusabinõusid töötajate suhtes, kes puutuvad töö käigus palju kokku vibratsiooniga. Nendeks abinõudeks võivad olla, näiteks: elektri- ja tööseadmete korraline hooldus, käte soojendamine, töövõu parem organiseerimine.

⚠ HOIATUS! Lugege kõiki ohutusjuhiseid ja korraldusi.
Ohutusnõuete ja juhiste eiramise tagajärjeks võib olla elektrilöökk, tulekahju ja/või raske vigastus.

Hoidke kõik ohutusnõuded ja juhised edasiseks kasutamiseks hoolikalt alles.

⚠ PÕÖRDVASAR E OHUTUSJUHISED

Kandke löökpuurimisel kuulmekaitset. Müra toime võib põhjustada kuulmiskadu.

Kasutage seadmega koos tarnitud lisakäepidemeid. Kontrolli kaotamine võib põhjustada vigastusi.

Tööde puhul, kus löikeseade võib minna vastu peidetud elektrijuhtmeid või seadme enda toitejuhet, hoidke kinni seadme isoleeritud käepidemetest. Kokkupuude pingestatud juhtmega võib pingestada ka löikeseadme metallist osad ning põhjustada elektrilöögi.

EDASISED OHUTUS- JA TÖÖJUHISED

Kasutada kaitsevarustust. Masinaga töötamisel kanda alati kaitseprille. Kaitseriituseena soovitatakse kasutada tolmu maski kaitsekindaid, kinniseid ja libisemisvastase tallaga jalanõusid, kiivrit ja kuulmisteede kaitset.

Töö ajal tekkinud tolm on sageli tervistkahjustav ning ei tohiks sattuda organismi. Kanda sobivat kaitsemaski.

Töödelda ei tohi materjale, millest lähtub oht tervisele (nt asbest).

Palun lülitage seade rakendustööriista blokeerumise korral kohe välja! Ärge lülitage seadet sisse tagasi, kuni rakendustööriist on blokeeritud; seejuures võib kõrge reaktsioonimomendiga tagasilöökk tekkida. Tehke ohutusjuhiseid arvesse võttes kindlaks ja kõrvaldage rakendustööriista blokeerumise põhjus.

- Selle võimalikeks põhjusteks võivad olla:
- viltu asetumine töödeldavas toorikus
 - töödeldava materjali läbimurdamine
 - elektritööriista ülekoormamine

Ärge sisestage jäsemeid töötavasse masinasse.

Rakendustööriist võib kasutamise ajal kuumaks minna.

TÄHELEPANU! Põletusohu

- tööriista vahetamisel
- seadme ärapanemisel

Puru ega pilpaid ei tohi eemaldada masina töötamise ajal.

Hoidke ühendusjuhe alati masina tööpiirkonnast eemal. Vedage juhe alati masinast tahapoole.

Seina, lae või põrandatööde puhul pidage silmas elektrijuhtmeid, gaasi- ja veetorusid.

Kinnitage toorik kinnipigustusseadisele. Kinnitamata toorikud võivad raskeid vigastusi ja kahjustusi põhjustada.

Enne kõiki töid masina kallal tõmmake pistik pistikupesast välja.

Suurte puurimislabimõõtude puhul tuleb lisakäepide kinnitada peakäepideme külge täisnurga all. Vaata ka pilte osast lõiku „Käepideme keeramine“.

KASUTAMINE VASTAVALT OTSTARBELE

K545 S: Puurvasarat saab universaalselt rakendada kivimite ja betooni puurvasaraga töölemiseks ja meiseldamiseks.

K500 S: Vasarat saab rakendada kivimite ja betooni meiseldamiseks.

Antud seadet tohib kasutada ainult vastavalt äranäidatud otstarbele.

EÜ VASTAVUSAVALDUS

Kinnitame tootjana ainuisikuliselt vastutades, et jaotises „Tehnilised andmed“ kirjeldatud toode on kooskõlas ELi direktiivide 2011/65/EU (RoHS), 2014/30/EL, 2006/42/EG kõikide asjaomaste eeskirjade ja allpool nimetatud normdokumentidega.

- EN 60745-1:2009+A11:2010
- EN 60745-2-6:2010
- EN 55014-1:2017+A11:2020
- EN 55014-2:2015
- EN 61000-3-2:2014
- EN 61000-3-3:2013
- EN IEC 63000:2018

Winnenden, 2021-01-21

Alexander Krug

Alexander Krug
Managing Director



On volitatud koostama tehnilist dokumentatsiooni.

Techtronic Industries GmbH
Max-Eyth-Straße 10
71364 Winnenden
Germany

VÕRKU ÜHENDAMINE

Välitingimustes asuvad pistikupesad peavad olema varustatud rikkevoolukaitselülititega (FI, RCD, PRCD). Seda nõutakse Teie elektriseadme installierimiseeskirjas. Palun pidage sellest meie seadme kasutamisel kinni.

Ühendage ainult ühefaasilise vahelduvvooluga ning ainult andmesidil toodud võrgupingega. Ühendada on võimalik ka kaitsekontaktita pistikupesadesse, kuna nende konstruktsioon vastab kaitseklassile II.

Ühendage seade pistikupesasse ainult välja lülitatult.

Käesolev seade on mõeldud kasutamiseks professionaalsetel otstarvetel, mis võib veidi ületada üldkasutatava madalpingevõrgu harmoonilise võnkeulatuse. Seepärast võtke enne seadme ühendamist üldkasutatavasse madalpingevõrku vajadusel ühendust oma energiaravustustevõttega.

TÖÖTAMINE KÜLMAGA

Kui masinat hoitakse pikema perioodi jooksul madalatel temperatuuridel, võib müäre kõvaks muutuda ja võib juhtuda, et masin ei pruugi alguses töötada või on võimsus liiga väike. Kui see juhtub:

1. asetage masinasse puur või meisel;
2. asetage masin betoonist jääkosale;
3. vajutage lüliti iga paari sekundi järel alla ja laske uuesti lahti.

Masina tavapärase löögiini läheb 15 sekundit kuni 2 minutit. Mida külmem on masin, seda kauem toimub ülessoojenemine.

HOOLDUS

Hoidke masina õhutuspiilud alati puhtad.

Läbikulunud süsiharjade puhul tuleks klienditeenindustöökojas lisaks süsiharjade vahetusele teha ka hooldus. See pikendab masina eluiga ja tagab pideva käitamismuutuse.

Kui võrguühenduskaabel on kahjustatud, tuleb see spetsiaalsete tööriistade kasutamise tõttu lasta välja vahetada klienditeeninduses, Text hier anhängen.

Kasutage ainult Milwaukee tarvikuid ja tagavaraosi. Detailid, mille väljavahetamist pole kirjeldatud, laske välja vahetada Milwaukee klienditeeninduspunktis (vaadake brošüüri garantii / klienditeeninduste aadressid).

Vajaduse korral võite tellida seadme läbilõikejoonise, näidates ära masina tüübi ja andmesidil oleva numbril. Selleks pöörduge klienditeeninduspunkti või otse: Techtronic Industries GmbH, Max-Eyth-Straße 10, 71364 Winnenden, Germany.

SÜMBOLID

	ETTEVAATUST! TÄHELEPANU! OHUD!
	Enne kõiki töid masina kallal tõmmake pistik pistikupesast välja.
	Palun lugege enne käikulaskmist kasutamisujuhend hoolikalt läbi.
	Tarvikud - ei kuulu tarne komplekti, soovitatav täiendus on saadaval tarvikute programmis.
	Elektriseadmeid, patareisid/akusid ei tohi utiliiseerida koos majapidamisprügiga. Elektriseadmed ja akud tuleb eraldi kokku koguda ning kõrvaldada keskkonnasõbralikult moel töölemiskeskusesse. Küsige infot jäätmekäitlusjaamade ja kogumispunktide kohta oma kohalike ametnike või edasimüüja käest.
	Kaitseklassi II elektritööriist. Elektritööriist, mille puhul ei sõltu kaitse mitte üksnes baasisolatsioonist, vaid ka täiendatavate kaitsemeetmete nagu topeltisolatsiooni või tugevdatud isolatsiooni kohaldamisest. Mehanism kaitsejuhi ühendamiseks puudub.
	Euroopa vastavusmärk
	Ühendkuningriigi vastavusmärk
	Regulatory Compliance Mark (RCM). Toode vastab kehtivatele eeskirjadele.
	Ukraina vastavusmärk
	Euraasia vastavusmärk

ТЕХНИЧЕСКИЕ ДАННЫЕ	K500 S	K545 S
Серийный номер изделия	4421 66 04...	4632 71 04...
.....	4421 58 04...	4422 01 04...
.....	4326 06 04...	4324 51 04...
.....	000001-999999	000001-999999
Номинальная выходная мощность.....	1300 W.....	1300 W
Номинальная мощность.....	650 W.....	650 W
Число оборотов без нагрузки (об/мин)	300 min ⁻¹	300 min ⁻¹
Макс. скорость под нагрузкой.....	300 min ⁻¹	300 min ⁻¹
Количество ударов при максимальной нагрузке (макс.).....	2840 min ⁻¹	2840 min ⁻¹
Сила одиночного удара в соответствии с EPTA Procedure 05/2009	8,5 J.....	8,5 J
Производительность сверления в бетон	45 mm.....	45 mm
Туннельные буры по бетону, кирпичу и известняку	65 mm.....	65 mm
Коронки для работы по бетону, кирпичу и известняку.....	100 mm.....	100 mm
Диаметр горловины патрона	66 mm.....	66 mm
Вес согласно процедуре EPTA 01/2014.....	6,3 kg.....	6,7 kg

Информация по шумам K545 S

Значения замерялись в соответствии со стандартом EN 60 745. Уровень шума прибора, определенный по показателю A, обычно составляет:

Уровень звукового давления (Небезопасность K=3dB(A))	98,5 dB (A)
Уровень звуковой мощности (Небезопасность K=3dB(A)).....	109,5 dB (A)

Пользуйтесь приспособлениями для защиты слуха.

Информация по шумам K500 S

Обычное низкочастотное звуковое давление, производимое инструментом, составляет

Измеряемые значения определяются согласно 2005/88/EC

2005/88/EC: Процедура оценки соответствия согласно Приложения VI. Сертификационный орган:

VDE Testing and Certification Institute, Merianstr. 28, 63069 Offenbach, Germany

Измеренный уровень звуковой мощности	101 dB (A)
Гарантированный уровень звуковой мощности	104 dB (A)

Пользуйтесь приспособлениями для защиты слуха.

Информация по вибрации

Общие значения вибрации (векторная сумма трех направлений) определены в соответствии с EN 60745.

Сверление Бетон:

Значение вибрационной эмиссии a _w	11,5 m/s ²
Небезопасность K=.....	1,5 m/s ²

Вырубка

Значение вибрационной эмиссии a _w	11,5 m/s ²	9 m/s ²
Небезопасность K=.....	1,9 m/s ²	1,9 m/s ²

ВНИМАНИЕ

Указанный в настоящем руководстве уровень вибрации измерен в соответствии с технологией измерения, установленной стандартом EN 60745 и может использоваться для сравнения электроинструментов друг с другом. Он также подходит для предварительной оценки вибрационной нагрузки.

Указанный уровень вибрации представляет основные виды использования электроинструмента. Но если электроинструмент используется для других целей, используемый инструмент отклоняется от указанного или техническое обслуживание было недостаточным, то уровень вибрации может отклоняться от указанного. В этом случае вибрационная нагрузка в течение всего периода работы значительно увеличивается

Для точной оценки вибрационной нагрузки необходимо также учитывать время, в течение которого прибор отключен или включен, но фактически не используется. В этом случае вибрационная нагрузка в течение всего периода работы может существенно уменьшиться.

Установите дополнительные меры безопасности для защиты пользователя от воздействия вибрации, например: техническое обслуживание электроинструмента и используемого инструмента, поддержание рук в теплом состоянии, организация рабочих процессов.

⚠ ПРЕДУПРЕЖДЕНИЕ! Прочтите все указания по безопасности и инструкции.

Улучшения, допущенные при соблюдении указаний и инструкций по технике безопасности, могут стать причиной электрического поражения, пожара и тяжелых травм.

Сохраняйте эти инструкции и указания для будущего использования.

⚠ УКАЗАНИЯ ПО ТЕХНИКЕ БЕЗОПАСНОСТИ ПРИ РАБОТЕ С ПЕРФОРАТОР

При ударном сверлении надевайте защитные наушники. Воздействие шума может привести к потере слуха.

Используйте вспомогательные рукоятки, поставляемые вместе с инструментом. Потеря контроля может стать причиной травмы.

Если Вы выполняете работы, при которых режущий инструмент может зацепить скрытую электропроводку или собственный кабель, инструмент следует держать за специально предназначенные для этого изолированные поверхности. Контакт режущего инструмента с токоведущим проводом может ставить под напряжение металлические части прибора, а также приводить к удару электрическим током.

ДОПОЛНИТЕЛЬНЫЕ УКАЗАНИЯ ПО БЕЗОПАСНОСТИ И РАБОТЕ

Пользоваться средствами защиты. Работать с инструментом всегда в защитных очках. Рекомендуется спецоджда: пылезащитная маска, защитные перчатки, прочная и нескользящая обувь, каска и наушники.

Пыль, возникающая при работе данным инструментом, может нанести вред здоровью. Не следует допускать её попадания в организм. Надевайте противопылевой респиратор.

Запрещается обрабатывать материалы, которые могут нанести вред здоровью (напр., асбест).

При блокировании используемого инструмента немедленно выключить прибор! Не включайте прибор до тех пор, пока используемый инструмент заблокирован, в противном случае может возникнуть отдача с высоким реактивным моментом. Определите и устраните причину блокирования используемого инструмента с учетом указаний по безопасности.

Возможными причинами могут быть:

- перекос заготовки, подлежащей обработке
- разрушение материала, подлежащего обработке
- перегрузка электроинструмента

Не прикасаться к работающему станку.

Используемый инструмент может нагреваться во время применения.

ВНИМАНИЕ! Опасность получения ожога

- при смене инструмента
- при укладывании прибора

Не убирайте опилки и обломки при включенном инструменте.

Держите силовой провод вне рабочей зоны инструмента. Всегда прокладывайте кабель за спиной.

При работе в стенах, потолках или полу следите за тем, чтобы не повредить электрические кабели или водопроводные трубы.

Закрепите вашу заготовку с помощью зажимного приспособления. Незакрепленные заготовки могут привести к тяжелым травмам и повреждениям.

Перед выполнением каких-либо работ по обслуживанию инструмента всегда вынимайте вилку из розетки.

При работе с большими диаметрами, дополнительная рукоятка должна быть зафиксирована под прямым углом к основной (см. иллюстрацию).

ИСПОЛЬЗОВАНИЕ

K545 S: Данный перфоратор может одинаково использоваться для ударного сверления и долбления в камне и бетоне.

K500 S: Отбойный молоток может использоваться для ударного сверления и долбления в камне и бетоне

Не пользуйтесь данным инструментом способом, отличным от указанного для нормального применения.

ДЕКЛАРАЦИЯ О СООТВЕТСТВИИ СТАНДАРТАМ ЕС

Под собственную ответственность мы как производитель заявляем о том, что описанное в разделе «Технические характеристики» изделие отвечает всем соответствующим требованиям директив 2011/65/EC (директива, ограничивающая содержание вредных веществ), 2014/30/EC, 2006/42/EC и следующих гармонизированных нормативных документов:

EN 60745-1:2009+A11:2010
EN 60745-2-6:2010
EN 55014-1:2017+A11:2020
EN 55014-2:2015
EN 61000-3-2:2014
EN 61000-3-3:2013
EN IEC 63000:2018

Winnenden, 2021-01-21



Alexander Krug
Managing Director

Уполномочен на составление технической документации.

Techtronic Industries GmbH
Max-Eyth-Straße 10
71364 Winnenden
Germany

ПОДКЛЮЧЕНИЕ К ЭЛЕКТРОСЕТИ

Электроприборы, используемые во многих различных местах, в том числе на открытом воздухе, должны подключаться через устройство, предотвращающее резкое повышение напряжения (FI, RCD, PRCD).

Подсоединять только к однофазной сети переменного тока с напряжением, соответствующим указанному на инструменте. Электроинструмент имеет второй класс защиты, что позволяет подключать его к розеткам электропитания без заземляющего вывода.

Перед включением вилки в розетку убедитесь, что машина выключена.

Этот прибор, предназначенный для профессионального использования, способен немного превышать нормативные показатели для гармонической составляющей тока при подключении к общественной сети низкого напряжения. Поэтому перед тем, как подключить прибор, свяжитесь с предприятием, отвечающим за общественную сеть низкого напряжения, или с соответствующей энергосбытовой компанией.

РАБОТА В УСЛОВИЯХ ХОЛОДА

Если машина хранилась в течение продолжительного времени или при низкой температуре, смазка может затвердеть, и машина может сначала не работать, или производительность может быть чрезмерно низкой. В этом случае:

1. Вставить в машину сверло или долото.
2. Поставить машину на кусок бетона.
3. Нажимать и отпускать кнопку-курок каждые несколько секунд.

Через промежуток времени от 15 секунд до 2 минут машина сможет работать в обычном режиме. Чем ниже температура машины, тем дольше будет длиться прогревание.

ОБСЛУЖИВАНИЕ

Всегда держите охлаждающие отверстия чистыми.

При износе угольных щеток, в дополнение к замене щеток инструмент следует проверить в сервисном центре. Это обеспечит долгий срок эксплуатации, а также постоянную готовность инструмента к работе.

При повреждении сетевого соединительного кабеля его замену производит служба технической поддержки клиентов, так как для этого требуется специальный инструмент.

Пользуйтесь аксессуарами и запасными частями только фирмы Milwaukee. В случае возникновения необходимости в замене, которая не была описана, пожалуйста, обращайтесь на один из сервисных центров (см. список наших гарантийных/сервисных организаций).

При необходимости может быть заказан чертеж инструмента с трехмерным изображением деталей. Пожалуйста, укажите номер и тип инструмента и закажите чертеж у Ваших местных агентов или непосредственно у Techtronic Industries GmbH, Max-Eyth-Straße 10, 71364 Winnenden, Germany.

СИМВОЛЫ



ВНИМАНИЕ! ПРЕДУПРЕЖДЕНИЕ! ОПАСНОСТЬ!



Перед выполнением каких-либо работ по обслуживанию инструмента всегда вынимайте вилку из розетки.



Пожалуйста, внимательно прочтите инструкцию по использованию перед началом любых операций с инструментом.



Принадлежности - В стандартную комплектацию не входит, поставляется в качестве дополнительной принадлежности.



Электроприборы, батареи/аккумуляторы запрещено утилизировать вместе с бытовым мусором. Электрические приборы и аккумуляторы следует собирать отдельно и сдавать в специализированную компанию для утилизации в соответствии с нормами охраны окружающей среды. Получите в местных органах власти или у вашего специализированного дилера сведения о центрах вторичной переработки и пунктах сбора.



Электроинструмент с классом защиты II. Электроинструмент, в котором защита от электрического удара зависит не только от основной изоляции, но и от того, что принимаются дополнительные защитные меры, такие как двойная изоляция или усиленная изоляция. Нет устройства для подключения защитного провода.



Европейский знак соответствия



Британский знак соответствия



Regulatory Compliance Mark (RCM). Продукт соответствует требованиям действующих предписаний.



Украинский знак соответствия



Евразийский знак соответствия

ТЕХНИЧЕСКИ ДАННИ	K500 S	K545 S
Производствен номер.....	4421 66 04.....	4632 71 04.....
.....	4421 58 04.....	4422 01 04.....
.....	4326 06 04.....	4421 96 04.....
.....	000001-999999.....	4324 51 04.....
.....	000001-999999.....
Номинална консумирана мощност.....	1300 W.....	1300 W.....
Отдавана мощност.....	650 W.....	650 W.....
Обороти на празен ход.....	300 min ⁻¹	300 min ⁻¹
Макс. обороти при натоварване.....	300 min ⁻¹	300 min ⁻¹
Макс. брой на ударите при натоварване.....	2840 min ⁻¹	2840 min ⁻¹
Енергия на отделен удар Пробиване / Дълбаене.....	8,5 J.....	8,5 J.....
Диаметър на средлото за бетон.....	45 mm.....	45 mm.....
Пробивна машина за работа в тунел - за бетон, обикновени и силикатни тухли.....	65 mm.....	65 mm.....
Кула боркорона за бетон, обикновени и силикатни тухли.....	100 mm.....	100 mm.....
Диаметър на отвора на патронника.....	66 mm.....	66 mm.....
Тепло без мрежов кабел.....	6,3 kg.....	6,7 kg.....

Информация за шума K545 S

Измерените стойности са получени съобразно EN 60745.

Оценено с A ниво на шума на уреда е съответно:

Равнище на звуковото налягане (Несигурност K=3dB(A)).....	98,5 dB (A)
Равнище на мощността на звука (Несигурност K=3dB(A)).....	109,5 dB (A)

Да се носи предпазно средство за слуха!

Информация за шума K500 S

Нивото на звуково налягане на уреда в dB (A) обикновено съставлява..... 91 dB (A)

Измерена стойност, определена в съответствие с 2005/88/EO до ухото на ползвателя. 2005/88/EO: методика за оценяване на съответствието по Приложение VI. Посочена служба: Институт на VDE за изпитвания и сертификация, Мерианщрасе 28, 63069 Офенбах, Германия.

Измерено ниво на звукова мощност.....	101 dB (A)
Гарантирано ниво на звукова мощност.....	104 dB (A)

Да се носи предпазно средство за слуха!

Информация за вибрациите

Общите стойности на вибрациите (векторна сума на три посоки) са определени в съответствие с EN 60745.

Пробиване бетон:

Стойност на емисии на вибрациите a _w	11,5 m/s ²
Несигурност K=.....	1,5 m/s ²

Дълбаене

Стойност на емисии на вибрациите a _w	11,5 m/s ²	9 m/s ²
Несигурност K=.....	1,9 m/s ²	1,9 m/s ²

ВНИМАНИЕ

Посоченото в тези инструкции ниво на вибрациите е измерено в съответствие със стандартизиран в EN 60745 измервателен метод и може да се използва за сравнение на електрически инструменти помежду им. Подходящ е и за временна оценка на вибрационното натоварване.

Посоченото ниво на вибрациите представя основните приложения на електрическия инструмент. Ако обаче електрическият инструмент се използва с друго предназначение, с различни сменяеми инструменти или при недостатъчна техническа поддръжка, нивото на вибрациите може да е различно. Това чувствително може да увеличи вибрационното натоварване по време на целия работен цикъл.

За точната оценка на вибрационното натоварване трябва да се вземат предвид и периодите от време, в които уредът е изключен или работи, но в действителност не се използва. Това чувствително може да намали вибрационното натоварване по време на целия работен цикъл.

Определете допълнителни мерки по техника на безопасност в защита на обслужвания работник от въздействието на вибрациите като например: техническа поддръжка на електрическия инструмент и сменяемите инструменти, поддръжане на ръцете топли, организация на работния цикъл.

! ПРЕДУПРЕЖДЕНИЕ! Прочетете всички указания и напътствия за безопасност.

Пропуски при спазването на указанията и напътствията за безопасност могат да доведат до токов удар, пожар и/или тежки наранявания.

Съхранявайте указанията и напътствията за безопасност за справка при нужда.

! УКАЗАНИЯ ЗА БЕЗОПАСНОСТ ЗА ПЕРФОРАТОР

Носете предпазни тапи за ушите при ударното пробиване. Шумът може да доведе до загуба на слуха.

Използвайте доставените с уреда допълнителни ръкохватки. Загубата на контрол може да доведе до наранявания.

Дръжте електроинструмента за изолираните ръкохватки, когато извършвате работи, при които работният инструмент може да засегне скрити електроинсталационни кабели или собствения си кабел. Контактът му с тоководещ проводник може да предаде напрежението върху металните му части и да доведе до токов удар.

ДОПЪЛНИТЕЛНИ УКАЗАНИЯ ЗА РАБОТА И БЕЗОПАСНОСТ

Да се използват предпазни средства. При работа с машината винаги носете предпазни очила. Препоръчват се защитно облекло и прахозащитна маска, защитни ръкавици, здрави и нехлъзгащи се обувки, каска и предпазни средства за слуха.

Прахът, който се образува при работа, често е вреден за здравето и не бива да попада в тялото. Да се носи подходяща прахозащитна маска.

Не е разрешена обработката на материали, които представляват опасност за здравето (напр. азбест).

Ако използваният инструмент блокира, изключете веднага уреда! Не включвайте уреда отново, докато използваният инструмент е блокиран; това би могло да доведе до откат с висока реактивна сила. Открийте и отстранете причината за блокирането на използвания инструмент имайки в предвид инструкциите за безопасност.

Възможните причини за това могат да бъдат:

- Заключване в обработваната част
- Пробиване на материала
- Пренатоварване на електрическия инструмент

Не бъркайте в машината, докато тя работи.

Използваният инструмент може да загрее по време на употреба.

ВНИМАНИЕ! Опасност от изгаряния

- при смяна на инструмента
- при оставяне на уреда

Стружки или отчупени парчета да не се отстраняват, докато машина работи.

Свързващият кабел винаги да се държи извън работния обсег на машината. Кабелът да се отвежда от машината винаги назад.

При работа в стени, тавани или подове внимавайте за кабели, газопроводи и водопроводи.

Закрепете обработваната част с устройство за захващане. Незакрепени части за обработка могат да причинят сериозни наранявания и материални щети.

Преди каквито и да е работи по машината извадете щепсела от контакта.

При големи диаметри на пробивания отвор допълнителната ръкохватка трябва да се закрепят перпендикулярно на основната ръкохватка. Виж също в частта със снимки, точка "Завъртане на ръкохватката".

ИЗПОЛЗВАНЕ ПО ПРЕДНАЗНАЧЕНИЕ

K545 S: Перфораторът може универсално да се използва за перфориране и дълбаене в камък и бетон.

K500 S: Чукът може да се използва за дълбаене в камък и бетон.

Този уред може да се използва по предназначение само както е посочено.

СЕ - ДЕКЛАРАЦИЯ ЗА СЪОТВЕТСТВИЕ

В качеството си на производител декларираме на собствена отговорност, че продуктът, описан в „Технически данни“, отговаря на всички съответстващи разпоредби на Директиви 2011/65/EC (RoHS), 2014/30/EC, 2006/42/EO и на следните хармонизирани нормативни документи:

EN 60745-1:2009+A11:2010
EN 60745-2:6:2010
EN 55014-1:2017+A11:2020
EN 55014-2:2015
EN 61000-3-2:2014
EN 61000-3-3:2013
EN IEC 63000:2018

Winnenden, 2021-01-21

Alexander Krug

Alexander Krug
Managing Director

Упълномощен за съставяне на техническата документация

Techtronic Industries GmbH
Max-Eyth-Straße 10
71364 Winnenden
Germany

ЗАЩИТА НА ДВИГАТЕЛЯ В ЗАВИСИМОСТ ОТ НАТОВАРВАНЕТО

Контактите във външните участъци трябва да бъдат оборудвани със защитни прекъсвачи за утечен ток (FI, RCD, PRCD). Това изисква предписанието за инсталиране за електрическата инсталация. Моля спазвайте това при използване на Вашия уред.

Да се свързва само към еднофазен променлив ток и само към мрежово напрежение, посочено върху заводската табелка. Възможно е и свързване към контакт, който не е от тип "шuko", понеже конструкцията е от защитен клас II.

Свързвайте уреда към контакта само в изключено състояние.

Това е уред за професионална употреба, който минимално може да надвиши ориентировъчните стойности за хармонични токови вълни при свързване към обществената електрическа мрежа за ниско напрежение. Затова преди свързване на уреда се консултирайте с компетентното електроразпределително дружество.

РАБОТА ПРИ СТУД

Когато машината се съхранява за по-продължителен период или при ниски температури, смазката може да се втвърди и е възможно в началото машината да не работи или ефективността ѝ да е прекалено ниска. Ако това се случи:

1. Поставете средло или длето в машината.
2. Поставете машината върху излишно парче бетон.
3. Задействайте превключвателя през няколко секунди и отново го отпуснете.

След 15 секунди до 2 минути машината започва да разбива нормално. Колкото по-студена е машината, толкова по-дълго трае загряването.

ПОДДРЪЖКА

Вентилационните шлицы на машината да се поддържат винаги чисти.

Ако въгленовите четки са износени, те трябва да се сменят и допълнително е необходим преглед в сервис. Това ще удължи експлоатационния срок на машината и гарантира постоянна експлоатационна готовност.

Ако кабелът на захранването е повреден, то занесете го за смяна в сервис, тъй като за това са необходими специални инструменти.

Да се използват само аксесоари на Milwaukee и резервни части на. Елементи, чията подмяна не е описана, да се дадат за подмяна в сервис на Milwaukee (вижте брошурата "Гаранция и адреси на сервиси").

При необходимост можете да поискате за уреда от Вашия сервис или директно от Techtronic Industries GmbH, Max-Eyth-Straße 10, 71364 Winnenden, Germany, чертеж за в случай на експлозия, като посочите типа на машината и номер върху заводската табелка.

СИМВОЛИ

	ВНИМАНИЕ! ПРЕДУПРЕЖДЕНИЕ! ОПАСНОСТ
	Преди каквито и да е работи по машината извадете щепсела от контакта.
	Преди пускане на уреда в действие моля прочетете внимателно инструкцията за използване.
	Аксесоари - Не се съдържат в обема на доставката, препоръчано допълнение от програмата за аксесоари.
	Електрическите уреди, батерии/акумулаторни батерии не трябва да се изхвърлят заедно с битовите отпадъци. Електрическите уреди и акумулаторни батерии трябва да се събират разделно и да се предават на службите за рециклиране на отпадъците според изискванията за опазване на околната среда. Информирайте се при местните служби или при местните специализирани търговци относно местата за събиране и центровете за рециклиране на отпадъци.
	Електроинструмент от защитен клас II. Електроинструмент, при който защитата от електрически удар зависи не само от основната изолация, а и от обстоятелството, че се използват допълнителни защитни мерки като двойна изолация или усилена изолация. Няма приспособяване за присъединяване на защитен проводник.
	Европейски знак за съответствие
	Британски знак за съответствие
	Regulatory Compliance Mark (RCM). Продуктът отговаря на приложимите нормативни изисквания.
	Украински знак за съответствие
	Евро-азиатски знак за съответствие

DATE TEHNICE	K500 S	K545 S
Număr producție.....	4421 66 04...	4632 71 04...
	4421 58 04...	4422 01 04...
	4326 06 04...	4324 51 04...
	000001-999999	000001-999999
Putere nominală de ieșire.....	1300 W.....	1300 W
Putere de ieșire	650 W.....	650 W
Viteza la mers în gol.....	300 min ⁻¹	300 min ⁻¹
Viteza sub sarcina max.....	300 min ⁻¹	300 min ⁻¹
Rata de percuție sub sarcina max.....	2840 min ⁻¹	2840 min ⁻¹
Energia de percuție conform EPTA-Procedure 05/2009	8,5 J	8,5 J
Capacitate de perforare în beton.....	45 mm	45 mm
Vârf tunel din beton, cărămizi și calcar.....	65 mm	65 mm
Tăiere în beton, cărămizi și calcar.....	100 mm	100 mm
Diametru gât mandrină	66 mm	66 mm
Greutatea conform „EPTA procedure 01/2014”.....	6,3 kg	6,7 kg

Informație privind zgomotul K545 S

Valori măsurate determinate conform EN 60 745.

Nivelul de zgomot evaluat cu A al aparatului este tipic de:

Nivelul presiunii sonore (Nesiguranță K=3dB(A)).....	98,5 dB (A)
Nivelul sunetului (Nesiguranță K=3dB(A)).....	109,5 dB (A)

Purtați căști de protecție

Informație privind zgomotul K500 S

Valoarea reală A a nivelului presiunii sonore a sculei este: 91 dB (A)

Valorile măsurate determinate conform 2005/88/EC la urechea utilizatorului 2005/88/EC: Procedura de evaluare a conformității conform Anexei VI. Organism înștiințat: Institutul de Certificare și Testare "VDE Testing and Certification Institute", Merianstr. 28, 63069 Offenbach, Germany

Nivel de sunet măsurat.....	101 dB (A)
Nivel de sunet garantat.....	104 dB (A)

Purtați căști de protecție

Informații privind vibrațiile

Valorile totale de oscilație (suma vectorială pe trei direcții determinate conform normei EN 60745.

Găurire în beton:

Valoarea emisiei de oscilații a _h	11,5 m/s ²
Nesiguranță K=	1,5 m/s ²

Dăltuire

Valoarea emisiei de oscilații a _h	11,5 m/s ²	9 m/s ²
Nesiguranță K=	1,9 m/s ²	1,9 m/s ²

AVERTISMENT

Gradul de oscilație indicat în prezentele instrucțiuni a fost măsurat în conformitate cu o procedură de măsurare normată prin norma EN 60745 și poate fi folosit pentru a compara uneltele electrice între ele. El se pretează și pentru o evaluare provizorie a solicitării la oscilații.

Gradul de oscilație indicat reprezintă aplicațiile principale ale uneltelor electrice. În cazul în care însă uneltele electrice au fost folosite pentru alte aplicații, ori au fost folosite uneltele de muncă diferite ori acestea nu au fost supuse unei suficiente inspecții de întreținere, gradul de oscilație poate fi diferit.

Acest fapt poate duce la o creștere netă a solicitărilor la oscilații dealungul întregii perioade de lucru.

În scopul unei evaluări exacte a solicitării la oscilații, urmează să fie luate în considerare și perioadele de timp în care aparatul a fost oprit ori funcționează dar, în realitate, el nu este folosit în mod practic. Acest fapt poate duce la o reducere netă a solicitărilor la oscilații dealungul întregii perioade de lucru.

Stabilități măsură de siguranță suplimentare în scopul protecției utilizatorului de efectele oscilațiilor, de exemplu: inspecție de întreținere a uneltelor electrice și a celor de muncă, păstrarea caldă a mâinilor, organizarea proceselor de muncă.

⚠️ AVERTIZARE! Citiți toate indicațiile de siguranță și toate instrucțiunile.

Nerespectarea indicațiilor de avertizare și a instrucțiunilor poate provoca electrocutare, incendii și/sau răniiri grave.

Păstrați toate indicațiile de avertizare și instrucțiunile în vederea utilizării viitoare.

⚠️ INSTRUCȚIUNI DE SECURITATE PENTRU CIOCAN ROTOPERCUTOR

La găurirea cu percuție purtați echipament de protecție pentru auz. Expunerea la zgomot poate duce la pierderea auzului.

Utilizați manerele auxiliare livrate cu scula. Pierderea controlului poate provoca rănirea persoanelor.

Țineți aparatul de mânerle izolate când executați lucrări la care scula tăietoare poate nimeri peste conductori electrici ascunși sau peste cablul propriu.

Intrarea în contact a sculei tăietoare cu o linie electrică prin care circulă curent poate pune sub tensiune și componente metalice ale aparatului și să ducă la electrocutare.

INSTRUCȚIUNI SUPLIMENTARE DE SIGURANȚĂ ȘI DE LUCRU

Folosii echipament de protecție . Purtați întotdeauna ochelari de protecție când lucrați cu mașina . Se recomandă utilizarea hainelor de protecție ca de ex. Măști contra prafului, mănuși de protecție, încălțăminte stabilă nealunecoasă, cască și aparatoare de urechi.

Praful care apare când se lucrează cu această sculă poate fi dăunător sănătății și prin urmare nu trebuie să atingă corpul. Purtați o mască de protecție corespunzătoare împotriva prafului.

Nu se admite prelucrarea unui material care poate pune în pericol sănătatea operatorului (de exemplu azbestul).

La blocarea sculei demontabile vă rugăm să deconectați imediat aparatul! Nu conectați aparatul atâta timp cât sculă demontabilă este blocată; dacă o faceți, s-ar putea să se producă un reoul cu un cuplu mare de reacție. Găsiți și remediați cauza de blocare a sculei demontabile respectând indicațiile pentru siguranță.

Cauzele posibile pot fi:

- Agățarea în piesa de prelucrat
- Străpungerea materialului de prelucrat

- Suprasolicitarea sculei electrice

Nu atingeți părțile mașinii aflate în rotație.

Scula introdusă poate să devină fierbinte în timpul utilizării.

AVERTISMENT! Pericol de arsuri

- la schimbarea sculei
- la depunerea aparatului

Rumegeșul și spanul nu trebuie îndepărtate în timpul funcționării mașinii.

Pastrați cablul de alimentare la o distanță de aria de lucru a mașinii. Întotdeauna țineți cablul în spatele dvs.

Când se lucrează pe pereți, tavan sau dușumea, aveți grijă să evitați cablurile electrice și țevile de gaz sau de apă.

Asigurați piesa de prelucrat cu un dispozitiv de fixare. Piese neasigurate pot provoca accidentări grave și stricăciuni.

Întotdeauna scoateți stecarul din priză înainte de a efectua intervenții la mașină.

Când se lucrează cu diametre de perforare mari, manerul auxiliar trebuie fixat în unghi drept față de manerul principal (vezi ilustrații, secțiunea "Răscuire mâner")

CONDIȚII DE UTILIZARE SPECIFICATE

K545 S: Ciocan rotopercurtor poate fi utilizat pentru perforări, dăltuiri în rocă și găuriri în lemn, metal și plastic.

K500 S: Ciocanul poate fi folosit pentru d/ltuit în piatr/ i beton.

Nu utilizați acest produs în alt mod decât cel stabilit pentru utilizare normală

DECLARAȚIE DE CONFORMITATE

În calitate de producător declarăm pe propria răspundere că produsul descris la "Date tehnice" este în concordanță cu toate prevederile legale relevante ale Directivelor 2011/65/UE (RoHS), 2014/30/UE, 2006/42/CE, precum și ale următoarelor norme armonizate:

EN 60745-1:2009+A11:2010
EN 60745-2-6:2010
EN 55014-1:2017+A11:2020
EN 55014-2:2015
EN 61000-3-2:2014
EN 61000-3-3:2013
EN IEC 63000:2018

Winnenden, 2021-01-21

Alexander Krug

Alexander Krug
Managing Director

Împunerică să elaboreze documentația tehnică.

Techtronic Industries GmbH
Max-Eyth-Straße 10
71364 Winnenden
Germany



ALIMENTARE DE LA REȚEA

Aparatele utilizate în multe locații diferite inclusiv în aer liber trebuie conectate printr-un disjuncteur (FI, RCD, PRCD) care previne comutarea.

Conectați numai la priză de curent alternativ monofazat și numai la tensiunea specificată pe plațua indicatoare. Se permite conectarea și la prize fără împământare dacă modelul se conformează clasei II de securitate.

Asigurați-vă că aparatul este oprit, înainte de conectare .

Acesta este un aparat pentru profesioniști care, dacă este conectat la rețeaua publică de joasă tensiune, poate depăși cu puțin valorile de referință pentru armonicele de curent. Contactați de aceea, înainte de a conecta aparatul la rețeaua publică de joasă tensiune, eventual întreprinderea care vă alimentează cu energie.

LUCRĂRI LA TEMPERATURI SCĂZUTE

Dacă mașina se depozitează o perioadă mai lungă sau la temperaturi scăzute, agentul de lubrifiere poate deveni vâscos și se poate întâmpla ca mașina să nu lucreze la început sau ca puterea să fie prea mică. Dacă se întâmplă acest lucru:

1. Introduceți un burghiu sau o daltă în mașină.
2. Așezați mașina pe o bucată de beton.
3. Acționați întrerupătorul la fiecare două secunde și eliberați-l la loc.

După 15 secunde până la 2 minute, mașina începe să lucreze normal. Cu cât este mai rece mașina, cu atât încălzirea durează mai mult.

INTREȚINERE

Fantele de aerisire ale mașinii trebuie să fie menținute libere tot timpul

Nota importantă: dacă perile de carbon sunt uzate, în plus față de schimbarea perilor scula trebuie trimisă la service-ul post vânzare. Aceasta va asigura o viață lungă de lucru și performanțe de vârf.

Dacă cablul de racordare la rețea este avariata, acesta trebuie înlocuit la un punct de service, deoarece pentru aceasta este nevoie de scule speciale.

Utilizați numai accesorii și piese de schimb Milwaukee. Dacă unele din componente care nu au fost descrise trebuie înlocuite , vă rugăm contactați unul din agenții de service Milwaukee (vezi lista noastră pentru service / garanție)

Dacă este necesară, se poate comanda o imagine descompusă a sculei. Vă rugăm menționați numărul art. Precum și tipul mașinii tipărit pe etichetă și comandați desenul la agenții de service locali sau direct la Techtronic Industries GmbH, Max-Eyth-Straße 10, 71364 Winnenden, Germany.

SIMBOLURI

	PERICOLI AVERTIZARE! ATENȚIE!
	Întotdeauna scoateți stecarul din priză înainte de a efectua intervenții la mașină.
	Vă rugăm citiți cu atenție instrucțiunile înainte de pornirea mașinii
	Accesorii - Nu este inclus în echipamentul standard , disponibil ca accesorii
	Aparatele electrice, bateriile/acumulatorii nu se elimină împreună cu deșeurile menajere. Aparatele electrice și acumulatorii se colectează separat și se predau la un centru de reciclare, în vederea eliminării ecologice. Informații-vă de la autoritățile locale sau de la comerțanții acreditați în legătură cu centrele de reciclare și de colectare.
	Sculă electrică cu clasa de protecție II. Sculă electrică la care protecția împotriva unei electrocutări nu depinde doar de izolația de bază, ci și de aplicarea de măsuri suplimentare de protecție, cum ar fi o izolație dublă sau o izolație mai puternică. Nu există un dispozitiv pentru conectarea unui conductor de protecție.
	Marca de conformitate europeană
	Marca de conformitate britanică
	Regulatory Compliance Mark (RCM). Produsul îndeplinește normele în vigoare.
	Marca de conformitate ucraineană
	Marca de conformitate eurasiatică

ТЕХНИЧКИ ПОДАТОЦИ	K500 S	K545 S
Производен број.....	4421 66 04...	4632 71 04...
	4421 58 04...	4421 96 04...
	4326 06 04...	4324 51 04...
	..000001-999999	..000001-999999
Определен внес.....	1300 W.....	1300 W
Излез.....	650 W.....	650 W
Брзина без оптоварување.....	300 min ⁻¹	300 min ⁻¹
Брзина при максимално оптоварување.....	300 min ⁻¹	300 min ⁻¹
Јачина на удар максимално под оптоварување.....	2840 min ⁻¹	2840 min ⁻¹
Единствена ударна сила според ЕПТА-процедурата 01/2014.....	8,5 J.....	8,5 J
Капацитет на дупчење во бетон.....	45 mm	45 mm
Тунелски бит во бетон, тули и варовни карпи.....	65 mm	65 mm
Јазолен сечач во бетон, тули и варовни карпи.....	100 mm	100 mm
Дијаметар на вратот на врв.....	66 mm.....	66 mm
Тежина според ЕПТА-процедурата 01/2014.....	6,3 kg.....	6,7 kg

Информации за бучавата КН 5 Е

Измерените вредности се одредени согласно стандардот EN 60745.

A-оценетото ниво на бучава на апаратот типично изнесува:

Ниво на звучен притисок. (Несигурност K=3dB(A)).....	98,5 dB (A)
Ниво на јачина на звук. (Несигурност K=3dB(A)).....	109,5 dB (A)

Носте штитник за уши.

Информации за бучавата K500 S

A-оценетото ниво на бучава на апаратот типично изнесува..... 91 dB (A)

Мерените вредности се одредени согласно стандардот 2005/88/EG за ушите на корисникот.

2005/88/EC: Процедурата за потврдување на сообразноста се повикува на :

Annex VI. Notified Body: VDE Testing and Certification Institute, Merianstr. 28, 63069 Offenbach, Germany

Измерено ниво на јачина на звук.....	101 dB (A)
Гарантирано ниво на јачина на звук.....	104 dB (A)

Носте штитник за уши.

Информации за вибрации

Вкупни вибрациски вредности (векторски збир на трите насоки) пресметани согласно EN 60745.

Бушење во бетон со ударна дупчалка:

Вибрациска емисиона вредност a _w	11,5 m/s ²
Несигурност K.....	1,5 m/s ²
Длетување	
Вибрациска емисиона вредност a _w	11,5 m/s ² 9 m/s ²
Несигурност K.....	1,9 m/s ² 1,9 m/s ²

ПРЕДУПРЕДУВАЊЕ

Нивото на осцилација наведено во овие инструкции е измерено во согласност со мерните постапки нормирани во EN 60745 и може да биде употребено за меѓусебна споредба на електро-алати. Ова ниво може да се употреби и за привремена проценка на оптоварувањето на осцилацијата.

Наведеното ниво на осцилација ги репрезентира главните намени на електро-алатот. Но, доколку електро-алатот се употребува за други намени, со отстапувачки додатоци или со несоодветно одржување, нивото на осцилација може да отстапи. Тоа може значително да го зголеми оптоварувањето на осцилацијата за време на целиот работен период.

За прецизна проценка на оптоварувањето на осцилацијата предвид треба да бидат земени и времињата, во коишто апаратот е исклучен или работи, но фактички не се употребува. Тоа може значително да го намали оптоварувањето на осцилацијата за време на целиот работен период

Увердете дополнителни безбедносни мерки за заштита на операторот од влијанието на осцилациите, како на пример: одржување на електро-алатот и на додатоци (он електро-алатот, одржување топли раце, организација на работните процеси.

! **ВНИМАНИЕ!** Прочитајте ги безбедносните напомени и упатства. Заборавањето на почитувањето на безбедносните упатства и инструкции можат да предизвикаат електричен удар, пожар и/или тежки повреди.
Сочувајте ги сите безбедносни упатства и инструкции за во иднина.

!

СИГУРНОСНИ НАПОМЕНИ ЗА БОРМАШИНА-ЧЕКАН

При работата со перкуссионата бормашина носете заштита за ушите. Влијанието на бука може да предизвика губење на сетилото за слух.

Користете помошни рачки кои доаѓаат заедно со алатот. Губењето контрола може да предизвика повреда.

Држете го електричниот алат за издадените површини при изведување на операции при кои алатот за сечење можат да дојдат во контакт со скриени жици или сопствениот гајтан. Контакт со жица под напон исто така ќе направи проводници од металните делови и оној кој ракува со алатот ќе доживее струен удар.

ОСТАНАТИ БЕЗБЕДНОСНИ И РАБОТНИ УПАТСТВА

Употребувајте заштитна опрема. При работа со машината постојано носете заштитни очила. Се препорачува заштитна облека како: маска за заштита од прашина, заштитни ракавици, цврсти чевли што не се лизгаат, кацига и заштита за уши.

Пршината која се создава при користење на овој алат може да биде штетна по здравјето. Не ја вдишувајте. Носете соодветна заштитна маска.

Не смеат да бидат обработувани материјали кои што можат да го загрозат здравјето (на пр. азбест).

Доколку употребеното орудие се блокира, молиме веднаш да се исклучи апаратот! Не го вклучувајте апаратот повторно додека употребеното орудие е блокирано; притоа би можело да дојде до повратен удар со висок момент на реакција. Испитајте и отстранете ја причината за блокирањето на употребеното орудие имајќи ги во предвид напомените за безбедност.

Можни причини би можеле да се:

- Закантување во парчето кое што се обработува
- Кршење поради продирање на материјалот кој што се обработува
- Преоптоварување на електричното орудие

Не фаќајте во машината кога работи.

Употребеното орудие за време на примената може да стане многу жешко.

ПРЕДУПРЕДУВАЊЕ!

- Опасност од изгоретини
- при менување на орудие
- при ставање на апаратот на страна

Прашината и струготините не смеат да се одстрануваат додека е машината работи.

Чувајте го кабелот за напојување подалеку од работната површина. Секогаш водете го кабелот позади вас.

Кога работите на сидови, таван или под вивмавајте да ги избегнете електричните, гасните и водоводни инсталации.

Обезбедете го предметот кој што го обработувате со направа за напон. Необезбедени парчиња кои што се обработуваат можат да предизвикаат тежки повреди и оштетувања.

Секогаш кога преземате активности врз машината исклучете го кабелот од струјата.

Кога работите со големи дијаметри на бушотина, помошната рачка мора да биде врзана под вистински агол со главната рачка (видете илустрации, деп, Вртење на рачката,..).

СПЕЦИФИЦИРАНИ УСЛОВИ НА УПОТРЕБА

K545 S: Пневматскиот чекан може да биде употребуван универзално за дупчење, клесање во камен и бетон.

K500 S: Чеканот може да се користи за клесање и демолирање.

Не го користете овој производ на било кој друг начин освен пропишаниот за нормална употреба.

ЕУ-ДЕКЛАРАЦИЈА ЗА СООБРАЗНОСТ

Како производител, изјавуваме под целосна одговорност дека „Техничките податоци“ подолу го опишуваат производот со сите релевантни одредби од регулативите 2011/65/EU (RoHS), 2014/30/EU, 2006/42/EC и се усогласени со следниве хармонизирани регулаторни документи:

EN 60745-1:2009+A11:2010
EN 60745-2-6:2010
EN 55014-1:2017+A11:2020
EN 55014-2:2015
EN 61000-3-2:2014
EN 61000-3-3:2013
EN IEC 63000:2018

Winnenden, 2021-01-21

Alexander Krug

Alexander Krug
Managing Director



Опномоштен за составување на техничката документација.

Techntron Industries GmbH
Max-Eyth-Straße 10
71364 Winnenden
Germany

ГЛАВНИ ВРСКИ

Уредите кои се користат на многу различни локации вклучувајќи и отворен простор мора да бидат поврзани за струја преку направата за поврзување (FI, RCD, PRCD).

Да се спои само за една фаза AC коло и само на главниот напон наведен на плочката. Можно е исто така и поврзување на приклучок без заземјување доколку изведбата соодветствува на безбедност од 2 класа.

Бидете сигурни дека машината е исклучена пред да ја вклучите во струја.

Овој апарат претставува апарат за професионална употреба, кој може незначително да ги пречекори ориентационите вредности за струјни горни бранови при приклучување на јавната мрежа за низок напон. Затоа пред приклучување на апаратот на јавна мрежа за низок напон по потреба контактирајте со компанијата што е одговорна за вашето напојување со електрична енергија.

РАБОТА ВО СТУДЕНО

Ако машината е складирана на подолг временски период или на ниски температури, подмакувањето може да се стврдне и машината може да не работи на почетокот или да има ниски перформанси. Ако тоа се случи:

1. Вметнете бурџија или длето во машината.
2. Ставете ја машината на преостанато парче бетон.
3. Притискајте и ослободувајте го прекинувачот на неколку секунди.

По 15 секунди до 2 минути, машината ќе започне да разбива нормално. Колку е постудена машината, толку подолго треба да се загрее.

ОДРЖУВАЊЕ

Вентилациските отвори на машината мора да бидат комплетно отворени постојано.

Важна забелешка! Доколку карбонските четкички се истрошени, со цел истите да бидат заменети алатот треба да биде пратен во постпродажниот центар. Ова ќе обезбеди долг употребен век и највисоки перформанси.

Ако приклучниот мрежен вод е оштетен, тој мора да биде заменет од служба за клиенти, бидејќи за тоа е потребен посебен алат.

Користете само Milwaukee додатоци и резервни делови. Доколку некои од компонентите кои не се опишани треба да бидат заменети, Ве молиме контактирајте ги сервисните агенти на Milwaukee (консултирајте ја листата на адреси).

Доколку е потребно можно е да биде набавен детален приказ на алатот. Ве молиме наведете го бројот на артиклот како и типот на машина кој е отпечатан на етикетата и порачајте ја скицата кај локалниот застапник или директно кај: Techntron Industries GmbH, Max-Eyth-Straße 10, 71364 Winnenden, Germany.

СИМБОЛИ



ВНИМАНИЕ! ПРЕДУПРЕДУВАЊЕ! ОПАСНОСТ!



Секогаш кога преземате активности врз машината исклучете го кабелот од струјата.



Ве молиме пред да ја стартувате машината обрнете внимание на упатствата за употреба.



Дополнителна опрема - Не е вклучена во стандардната, а достапна е како додаток.



Електричните апарати и батериите што се полнат не смеат да се фрлат заедно со домашниот отпад. Електричните апарати и батериите треба да се собираат одделно и да се однесат во соодветниот погон заради нивно фрлање во склад со начелата за заштита на околината. Информирајте се кај Вашите местни служби или кај специјализираниот трговски претставник, каде има такви погони за рециклажа и собирни станици.



Електрично орудие од заштитната категорија II. Електрично орудие чијашто заштита од електричен удар не зависи само од основната изолација туку и од тоа дали ќе се применат дополнителните заштитни мерки како што се двоструките изолации или појачаната изолација. Не постои никаква направа за приклучување на некој заштитен вод.



Европска ознака за сообразност



Британска ознака за сообразност



Regulatory Compliance Mark (RCM). Производот ги исполнува важечките прописи.



Украинска ознака за сообразност



Евроазиатска ознака за сообразност

ТЕХНІЧНІ ХАРАКТЕРИСТИКИ	ПЕРФОРАТОР	K500 S	K545 S
Номер виробу.....		4632 71 04...	4422 01 04...
		4421 66 04...	4421 96 04...
		4326 06 04...	4324 51 04...
		000001-999999	000001-999999
Номинальна споживана потужність.....		1300 W	1300 W
Відавана потужність.....		650 W	650 W
Кількість обертів холостого ходу.....		300 min ⁻¹	300 min ⁻¹
Кількість обертів під навантаженням макс.....		300 min ⁻¹	300 min ⁻¹
Кількість ударів під навантаженням макс.....		2840 min ⁻¹	2840 min ⁻¹
Сила окремого удару згідно з процедурою EPTA 05/2009.....		8,5 J	8,5 J
Ø свердління бетону.....		45 mm	45 mm
Тунельне свердло для бетону, цегли та силікатної цегли.....		65 mm	65 mm
Кільцева свердлильна коронка для бетону, цегли та силікатної цегли.....		100 mm	100 mm
Шийка затиску, Ø.....		66 mm	66 mm
Вага згідно з процедурою EPTA 01/2014.....		6,3 kg	6,7 kg

Інформація про шум K545 S

Вимірні значення визначені згідно з EN 60 745.

Рівень шуму "A" приладу становить в типовому випадку:

Рівень звукового тиску (похибка K = 3 дБ(A))..... 98,5 dB (A)

Рівень звукової потужності (похибка K = 3 дБ(A))..... 109,5 dB (A)

Використовувати засоби захисту органів слуху!

Інформація про шум K500 S

Рівень шуму "A" приладу становить в типовому

випадку:..... 91 dB (A)

2005/88/EG: Процес оцінки відповідності згідно з додатком VI. Уповноважений

орган: Інститут випробування та сертифікації VDE Prüf- та Zertifizierungsinstitut,

Merianstr. 28,

63069 Offenbach,

Німеччина

Вимірюваний рівень звукової потужності..... 101 dB (A)

Гарантований рівень звукової потужності..... 104 dB (A)

Використовувати засоби захисту органів слуху!

Інформація щодо вібрації

Сумарні значення вібрації (векторна сума трьох напрямків), встановлені згідно з

EN 60745.

Ударне свердління в бетоні:

Значення вібрації a_w..... 11,5 m/s²

похибка K = 1,5 m/s²

Довбання:

Значення вібрації a_w..... 11,5 m/s²..... 9 m/s²

похибка K = 1,9 m/s²..... 1,9 m/s²

ПОПЕРЕДЖЕННЯ!

Рівень вібрації, вказаний в цій інструкції, вимірювався згідно з методом вимірювання, нормованим стандартом EN 60745, і може використовуватися для порівняння

електроінструментів. Він призначений також для попередньої оцінки навантаження від вібрації.

Вказаний рівень вібрації відповідає основним сферам використання електроінструменту. Але якщо електроінструмент використовується для іншої мети, з іншими вставними

інструментами або при недостатньому технічному обслуговуванні, рівень вібрації може бути іншим. Це може значно підвищити навантаження від вібрації за весь період роботи.

Для точної оцінки навантаження від вібрації необхідно також враховувати час, коли прилад вимкнений або увімкнений, але фактично не використовується. Це може значно

зменшити навантаження від вібрації за весь період роботи.

Визначте додаткові заходи безпеки для захисту оператора від дії вібрації, наприклад: Технічне обслуговування електроінструменту та вставних інструментів, зігрівання рук,

організація робочих процесів.

⚠ ПОПЕРЕДЖЕННЯ! Прочитайте всі вказівки з техніки безпеки та інструкції.

Упущення при дотриманні вказівок з техніки безпеки та інструкцій можуть призвести до ураження електричним струмом, пожежі та/або тяжких травм.

Зберігайте всі вказівки з техніки безпеки та інструкції на майбутнє.

⚠ ВКАЗІВКИ З ТЕХНІКИ БЕЗПЕКИ ДЛЯ ПЕРФОРАТОРА

Користуйтеся засобами захисту органів слуху. Вплив шуму може спричинити

втрату слуху.

Користуйтеся додатковими рукавками, що поставляються разом з пристроєм,

якщо вони входять в комплект поставки. Втрата контролю може призвести до

пошкодження.

Під час виконання робіт тримайте прилад за ізольовані поверхні рукавотк, якщо

вставний інструмент може натратити на приховані електричні лінії або власний

мережевий кабель.

Контакт з лінією під напругою може призвести до появи напруги в металевих частинах

приладу та до ураження електричним струмом.

ДОДАТКОВІ ІНСТРУКЦІ З ТЕХНІКИ БЕЗПЕКИ ТА ЕКСПЛУАТАЦІЇ

Використовуйте індивідуальні засоби захисту. Під час роботи з машиною завжди

носити захисні окуляри. Радимо використовувати захисний одяг, як наприклад маску

для захисту від пилу, захисні рукавиці, міцне та нековзне взуття, каску та засоби

захисту органів слуху.

Пил, що утворюється під час роботи, часто буває шкідливим для здоров'я; він не

повинен потрапляти в організм. Носити відповідну маску для захисту від пилу.

Не можна обробляти матеріали, небезпечні для здоров'я (наприклад, азбест).

При блокуванні вставного інструменту негайно вимкнути прилад! Не вимкайте прилад,

якщо вставний інструмент заблокований; при цьому може виникати віддача з високим

зворотнім моментом. Визначити та усунути причину блокування вставного інструменту

з урахуванням вказівок з техніки безпеки.

Можливі причини:

- Перекіс в заготовці, що обробляється

- Пробивання оброблюваного матеріалу

- Перевантаження електроінструмента

Частини тіла не повинні потрапляти в машину, коли вона працює.

Вставний інструмент може нагріватися під час роботи.

ПОПЕРЕДЖЕННЯ! Небезпека опіків

- при заміні інструменту

- при відкладанні приладу

Не можна видаляти стружку або уламки, коли машина працює.

З'єднувальний кабель завжди тримати за межами радіуса дії машини. Вести кабель

завжди позаду машини.

Під час роботи на стінах, стелях або підлозі звертати увагу на електричні кабелі, газопі

та водопровідні лінії.

Зафіксувати заготовку в затисковому пристрої. Незакріплені заготовки можуть привести

до тяжких травм та пошкоджень.

Перед будь-якими роботами на машині витягнути штекер із штепсельної розетки.

Для великого діаметру свердла необхідно закріпити додаткову рукоятку під прямим

кутом до головної рукоятки (див. також в частині з зображеннями, розділ "Повернути

рукоятку").

ВИКОРИСТАННЯ ЗА ПРИЗНАЧЕННЯМ

K545 S: Перфоратор можна використовувати універсально для ударного свердління

та додання каменю і бетону, а також для свердління деревини, металів та полімерних

матеріалів.

K500 S: Відбивний молоток можна використовувати для додання каменю та бетону

Цей прилад можна використовувати тільки за призначенням так, як вказано в цьому

документі.

СЕРТИФІКАТ ВІДПОВІДНОСТІ ВИМОГАМ ЄС

Як виробник, ми заявляємо на власну відповідальність, що виріб, описаний у

"Технічних даних", відповідає всім застосовним положенням директив 2011/65/EU

(RoHS), 2014/30/EU, 2006/42/EG, та наступним гармонізованим нормативним

документам:

EN 60745-1:2009+A11:2010

EN 60745-2-6:2010

EN 55014-1:2017+A11:2020

EN 55014-2:2015

EN 61000-3-2:2014

EN 61000-3-3:2013

EN IEC 63000:2018

Winnenden, 2021-01-21

Alexander Krug

Alexander Krug

Managing Director

Уповноважений іє складання технічної документації.

Techtronic Industries GmbH

Max-Eyth-Straße 10

71364 Winnenden

Germany

ПІДКЛЮЧЕННЯ ДО МЕРЕЖІ

Штепсельні розетки за межами приміщень та на вологих ділянках повинні бути

оснащені автоматичним запобіжним вимикачем, який спрацьовує при появі струму

витоку (FI, RCD, PRCD). Для цього необхідні монтажні інструкції для вашої

електричної системи. Майте це на увазі при користуванні нашим приладом.

Підключати лише до однофазного змінного струму і напруги мережі, які вказані на

фірмовій таблиці з паспортними даними. Можливе підключення також до

штепсельних розеток без захисного контакту, адже конструкція має клас захисту II.

Підключати пристрій до штепсельної розетки лише вимкненим.

Цей прилад для професійного використання, він може трохи перевищувати нормативні

показники для вищих гармонік струму при підключенні до низьковольтної мережі

загального користування. Тому перед підключенням приладу до низьковольтної

мережі загального користування зв'яжіться, у разі необхідності, з вашою організацією

енергопостачання.

РОБОТА В ХОЛОДНИХ УМОВАХ

Якщо машина зберігається протягом тривалого часу чи за низької температури, її

змашення може стати в'язким, і машина спочатку не зможе працювати, або її

продуктивність буде значно низькою. Якщо це трапляється:

1. вставити свердло чи зубило в машину;

2. установити машину на уламок бетону;

3. затиснути важіль перемикача впродовж кількох секунд і відпустити.

Через 15 секунд і до 2 хвилин після машина починає нормально працювати. Що

холодніше машина, то довше їй потрібно прогрітися.

ОБСЛУГОВУВАННЯ

Завжди підтримувати чистоту вентиляційних отворів.

При зношенні вугільних щіток додатково до заміни щіток необхідно виконати сервісне

обслуговування в сервісному центрі. Це підвищує термін експлуатації машини та

гарантує постійну готовність до експлуатації.

Якщо мережевий кабель живлення пошкоджений, то його повинна замінити сервісна

служба, щоб уникнути небезпеки.

Використовувати комплектуючі та запчастини тільки від Milwaukee. Деталі, заміна яких

не описується, замінювати тільки в відділі обслуговування клієнтів Milwaukee (зверніть

увагу на брошуру "Гарантія / адреси сервісних центрів").

У разі необхідності можна запросити креслення з зображенням вузлів машини в

перспективному вигляді, для цього потрібно звернутися в ваш відділ обслуговування

клієнтів або безпосередньо в Techtronic Industries GmbH, Max-Eyth-Straße 10,

71364 Winnenden, Німеччина, та вказати тип машини та шестизначний номер на

фірмовій таблиці з даними машини.

СИМВОЛИ



УВАГА! ПОПЕРЕДЖЕННЯ! НЕБЕЗПЕЧНО!



Перед будь-якими роботами на машині витягнути штекер із

штепсельної розетки.



Уважно прочитайте інструкцію з експлуатації перед введенням

приладу в дію.



Комплектуючі - не входять в обсяг постачання, рекомендовані

доповнення з програми комплектуючих.



Електроприлади, батареї/аккумулятори заборонено утилізувати

разом з побутовим сміттям.

Електричні прилади і аккумулятори слід збирати окремо і здавати

в спеціалізовану компанію для утилізації відповідно до норм

охорони довкілля.

Зверніться до місцевих органів або до вашого дилера, щоб

отримати адреси пунктів вторинної переробки та пунктів прийому.



Електроінструмент класу захисту II.

Електроінструмент, в якому захист від враження електричним

струмом залежить не лише від базової ізоляції, але й від

використовуваних додаткових засобів захисту, таких як подвійна

ізоляція або посилена ізоляція.

Немає пристроїв для підключення захисного з'єднання.



Європейський знак відповідності



Британський знак відповідності



Знак відповідності встановленим нормам (RCM). Продукт

відповідає діючим нормам.



Український знак відповідності



Євразійський знак відповідності

البيانات الفنية	K545 S	K500 S
إنتاج عدد.....	4632 71 04.....	4421 66 04.....
.....	4422 01 04.....	4421 58 04.....
.....	4324 51 04.....	4326 06 04.....
.....000001-999999000001-999999
الدخل المقدر.....	1300 W.....	1300 W.....
الخرج.....	650 W.....	650 W.....
أقصى سرعة دون وجود حمل.....	300 min ⁻¹	300 min ⁻¹
السرعة عند أقصى حمل.....	300 min ⁻¹	300 min ⁻¹
معدل الحفر بالذق تحت أقصى حمل.....	2840 min ⁻¹	2840 min ⁻¹
طاقة التأثير لكل شوط طبقاً لإجراء EPTA رقم 05/2009.....	8,5 J.....	8,5 J.....
قوة الحفر في الخرسانة.....	45 mm.....	45 mm.....
لقمة الحفر في الخرسانة والطوب والحجر الجيري.....	65 mm.....	65 mm.....
اله القطع الأساسية في الخرسانة، والطوب والحجر الجيري.....	100 mm.....	100 mm.....
قطر عتق الظرف.....	66 mm.....	66 mm.....
الوزن وفقاً لنهج EPTA رقم 01/2014.....	6,7 kg.....	6,3 kg.....

معلومات الضوضاءK545S

القيم التي تم قياسها محددة وفقاً للمعايير الأوروبية EN 60 745

مستويات ضوضاء الجهاز ، ترجيحاً أ بشكل نموذجي كالتالي:

مستوى ضغط الصوت (الارتياح في القياس = 3 ديسيبل (A)).....

مستوى شدة الصوت (الارتياح في القياس = 3 ديسيبل (A)).....

ارتد وأقيات الأذن!

معلومات الضوضاء K500S

مستويات ضوضاء الجهاز ، ترجيحاً أ بشكل نموذجي كالتالي:

EG/2005/88: نهج تقييم المطابقة وفقاً للملحق السادس، الجهات المعتمدة دولياً: معهد VDE

للاختبار والمصادقة، Meriansstr. 28, 63069 Offenbach, Germany

معلومات الضوضاء K500S

مستوى شدة الصوت الذي تم قياسه.....

مستوى شدة الصوت خلال فترة الضمان.....

ارتد وأقيات الأذن!

معلومات الاهتزاز

قيم الذبذبات الإجمالي (مجموع الكميات الموجبة في المحاور الثلاثة) محددة وفقاً للمعايير

الأوروبية EN 60745

الحفر بالمطرقة في الخرسانة:

قيمة انبعاث الذبذبات (a_h).....

الارتياح في القياس.....

النحت:

قيمة انبعاث الذبذبات (a_n).....

الارتياح في القياس.....

11,5 m/s².....

1,5 m/s².....

11,5 m/s².....

1,9 m/s².....

تحذير!

تم قياس مستوى انبعاث الذبذبات الموجود بوثيقة المعلومات هذه وفقاً للاختبار القياسي وفقاً للمعايير الأوروبية EN 60745 ويمكن استخدامه لمقارنة جهاز بغيره. كما يمكن استخدامه لعرض تقييم تمهيدي.

يمثل مستوى انبعاث الذبذبات المعالن عنه تطبيقات الجهاز الرئيسية. بالرغم من ذلك، فانه إذا ما تم استخدام الجهاز لتطبيقات مختلفة، بملحقات مختلفة أو لم يتم المحافظة عليه، فقد يختلف انبعاث الذبذبات. قد يزيد ذلك بصورة كبيرة من مستوى التعرض للذبذبات طوال فترة العمل الإجمالية.

يجب الوضع في الاعتبار عند تقدير مستوى التعرض للذبذبات مرات إيقاف الجهاز أو تشغيله لكن دون استخدامه في القيام بمهمة. فقد يقل ذلك بصورة كبيرة من مستوى التعرض للذبذبات طوال فترة العمل الإجمالية.

تعرف على معايير السلامة الإضافية لحماية المشغل من آثار الذبذبات مثل: صيانة الجهاز والملحقات، الحفاظ على ذفه الأيدي، وتنظيم نماذج العمل.

تحذير!

اقرأ جميع تحذيرات السلامة وجميع التعليمات، بما فيها.

قد يؤدي الفشل في مراعاة التحذيرات والتعليمات إلى التعرض للإصابة بصدمة كهربية أو الحريق وأو إصابة خطيرة.

احتفظ بجميع التنبيهات والتعليمات للرجوع إليها مستقبلاً.

تعليمات سلامة المثاقب

د وأقيات الأذن عند استخدام المثقب.

ارت قد يسبب التعرض للضوضاء إلى فقدان السمع.

استخدم المثقبين الإضافية، إذا كانت مرفقة مع الأداة. قد يسبب فقدان السيطرة حدوث إصابة شخصية.

امسك الآلة الكهربائية من أسطح القبض المعزولة فقط، وذلك عند القيام بعملية قد يلمس فيها أحد ملحقات آلة القطع أسلاك مخفية أو السلك الخاص بها.

تنسب ملامسة أحد ملحقات آلة القطع بملك كهربوي "موصلة" في جعل الأجزاء المعدنية المكشوفة بالآلة الكهربائية "موصلة" كهربياً مما يجعل المشغل عرضة لصدمة كهربائية.

- زيادة الحمل على الآلة الكهربائية

لا تلامس بيدك الماكينة أثناء دورانها.

الأداة المستخدمة قد تسخن خلال الاستخدام.

تحذير! هناك خطر الإصابة بحروق

- عند استبدال الأداة
- عند وضع الجهاز

لا يجب إزالة الفشاره والنظايا أثناء تشغيل الآلة.

ابق المسك الرئيسي بعيداً عن نطاق عمل الجهاز. ابق دائماً المسك بعيداً عنك أو خلفك.

عند العمل في سقف الحوائط أو الأرضية، توخ الحذر وتجنب الكابلات الكهربائية وأنابيب الغاز أو المياه.

قم بتأمين القطعة المستخدمة من المواد في تجهيزه تثبيت.

القطع المستخدمة من المواد الغير مرمنة يمكن أن تسبب في إصابات وأضرار حادة.

افصل دائماً القابس عن المثقبين قبل تنفيذ أي عمل بالجهاز.

عند العمل بمثاقب أقطارها كبيرة، يجب تثبيت المثقبين الإضافي في الزاوية اليمنى مع المثقب الرئيسي (انظر الأشكال التوضيحية، قسم ("الف المثقب")..

شروط الاستخدام المحدثة

يمكن استخدام الدقاق الهوائي عموماً في عمليات الحفر بالذق والنحت في الأحجار والخرسانات K545 S.

يمكن استخدام المثقاب الدقاق في نحت الأحجار والخرسانات K500 S:

لا تستخدم هذا المنتج بأي طريقة أخرى غير مصرح بها للاستخدام العادي.

إعلان المطابقة - الاتحاد الأوروبي

بموجب هذا نقر نحن كشركة منتجة على مسؤوليتنا المفردة، أن المنتج الموصوف تحت "البيانات الفنية" يتطابق مع جميع التعليمات الهامة للمعايير

2011/65EU(RoHS), 2014/30/EU, 2006/42/EG

ومع مستندات التوافق المعياري التالية:

EN 60745-1:2009+A11:2010

EN 60745-2-6:2010

EN 55014-1:2017+A11:2020

EN 55014-2:2015

EN 61000-3-2:2014

EN 61000-3-3:2013

EN IEC 63000:2018

Winnenden, 2021-01-21



Alexander Krug

Managing Director

معتمدة للمطابقة مع الملف الفني

Technicon Industries GmbH

Max-Eyth-Straße 10

Winnenden 71364

Germany

توصيل الموصلات الرئيسية

يجب تزويد القوايس في الغرف الرطبة وفي الأماكن الخارجية بأزرار حماية ضد تيار العطل (FI, RCD, PRCD). هذا يتطلب تعليمات التركيب الخاصة بجهازك. الرجاء مراعاة ذلك عند استخدام جهازنا.

قم بالتوصيل بتيار متردد أحادي الطور ونظام الجهد الكهربوي المحدد على لوحة الجهد المقنن فقط. يمكن أيضاً التوصيل بالمقاييس غير المورضة حيث يتطابق التصميم مع معايير سلامة الفئة الثانية لحماية الأجهزة الكهربائية.

تأكد من إيقاف تشغيل الآلة قبل توصيلها بالمقاييس الكهربائي.

يعد هذا جهازاً للاستخدام الاحترافي الذي قد يتجاوز إلى حد ما القيم الإرشادية عند توصيله بمصدر إمداد الموصلات الكهربائية العامة منخفضة الجهد. لذلك يجب عليك الاتصال بشركة الإمداد بالطاقة قبل توصيل الجهاز بمصدر إمداد للموصلات الكهربائية العامة منخفضة الجهد. وواقيات الأذن.

العمل في حالة البرودة

إذا جرى تخزين الماكينة لهجم الكهربائي لفترة زمنية طويلة أو في درجات حرارة منخفضة، فقد يصبح التشحيم شديد القوام وقد لا تعمل الماكينة في البداية أو تعمل بطاقة ضئيلة. إذا حدث ذلك:

- ضع مثقاب أو أزميل في الماكينة.
- ضع الماكينة على قطعة باقية من الخرسانة المسلحة.
- اضغط على الزر الصاعط كل عدة ثواني ثم اتركه مرة أخرى.
- بعد 15 ثانية وحتى دقيقتين سوف تبدأ الماكينة في الطرق بشكل عادي. كلما كانت الماكينة أكثر برودة، كلما طالّت فترة التسخين.

الصيانة

يجب أن تكون فتحات تهوية الجهاز نظيفة طوال الوقت.

ملاحظة هامة! إذا تآكلت الفرش الكربونية، يجب بالإضافة إلى استبدال الفرش أن ترسل الأداة إلى خدمة ما بعد البيع. سوف يضمن هذا عمراً أطول للأداة ويمتلك أفضل مستوى من الأداء.

في حالة تلف كبل الطاقة في هذا الجهاز، يجب استبداله فقط بواسطة ورشة تصليح يحددھا المصنّع لتجنب المخاطر التي تنتم بالمخاطرة.

استخدم فقط ملحقات ميلوكي وكذلك قطع غير ميلوكي. إذا كانت المكونات التي يجب تغييرها غير مذكورة، يرجى الاتصال بأحد عملاء صيانة ميلوكي (انظر قائمة عناوين الضمان/الصيانة الخاصة بنا).

عند الحاجة يمكن طلب رمز انفجار الجهاز بعد ذكر طراز الآلة والرقم السداسي المذكور على بطاقة طاقة الآلة لدى خدمة العملاء أو مباشرة لدى شركة

Technicon Industries GmbH
Max-Eyth-Straße 10
71364 Winnenden
ألمانيا

زومولا

تنبيه! تحذير! خطراً!

افصل دائماً القابس عن المثقبين قبل تنفيذ أي عمل بالجهاز.

معلومات إضافية

يرجى قراءة التعليمات بعناية قبل بدء تشغيل الجهاز.

معلومات إضافية

المسك - ليس مدرجاً كمعدة قياسية، متوفر كملحق.



Copyright 2021

Techtronic Industries GmbH
Max-Eyth-Str. 10
71364 Winnenden
Germany

+49 (0) 7195-12-0

www.milwaukeeetool.eu

Techtronic Industries (UK) Ltd
Fieldhouse Lane
Marlow Bucks SL7 1HZ
UK



**EAC UK
CA**

(01.21)

4931 4705 35