

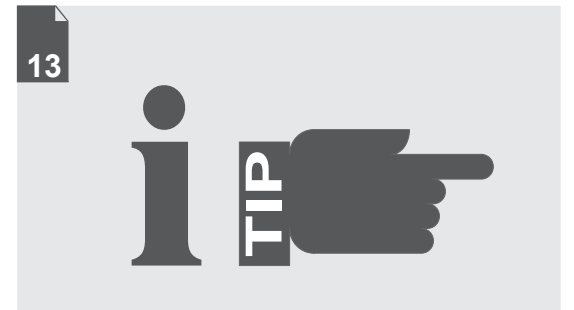
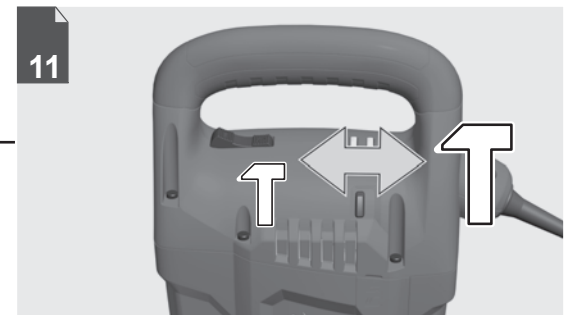
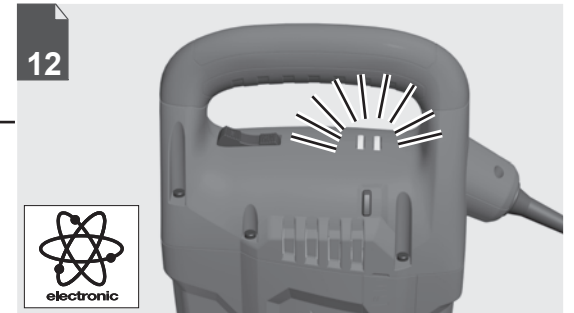
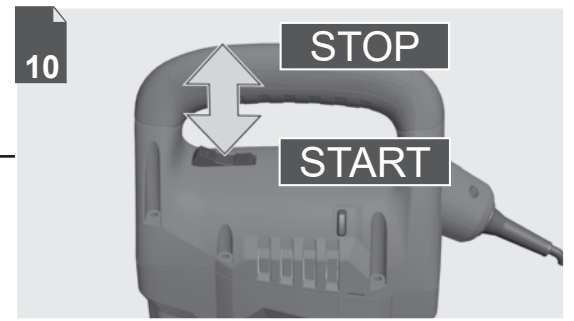
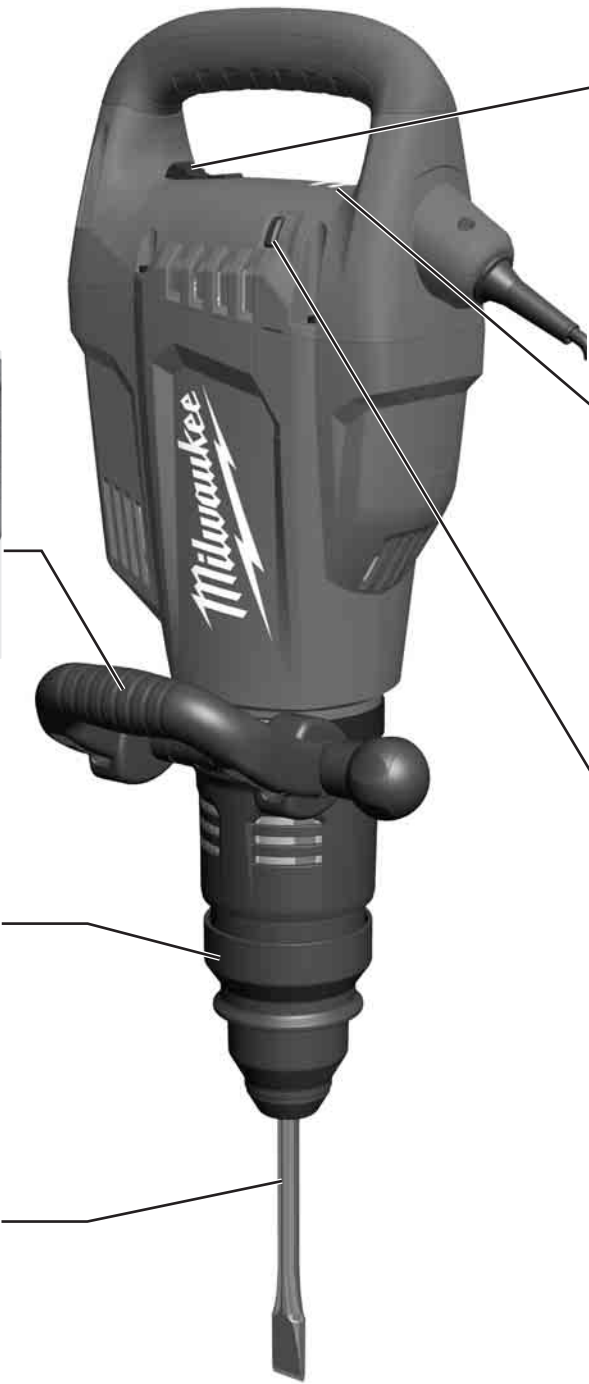
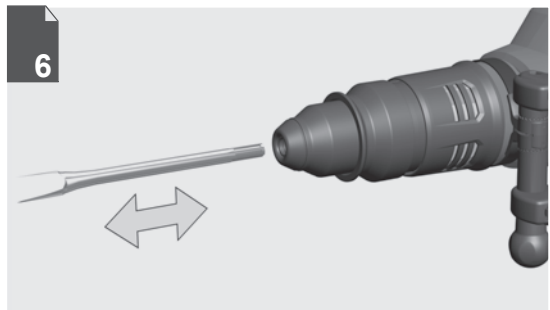
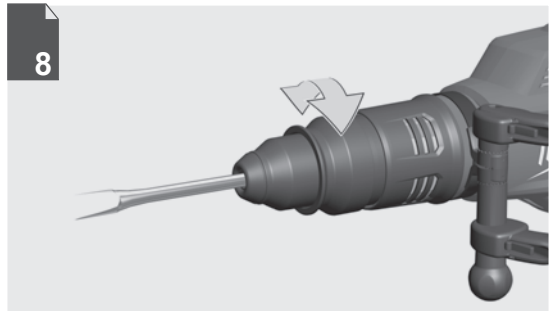
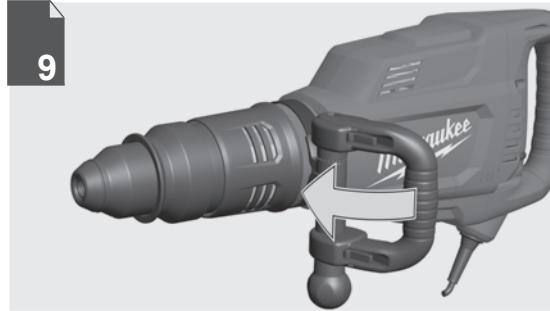
Milwaukee[®]

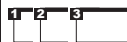
Nothing but **HEAVY DUTY**.[®]

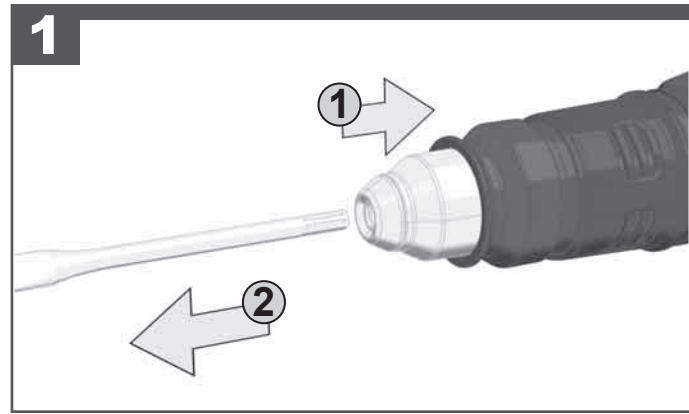
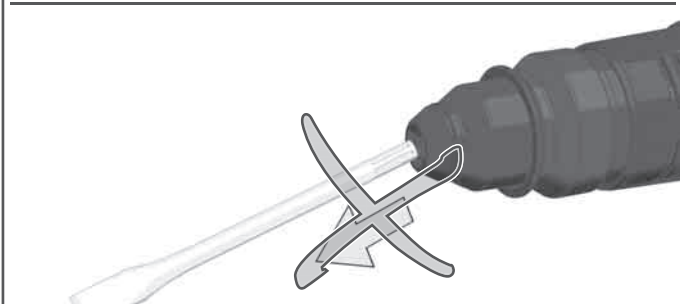
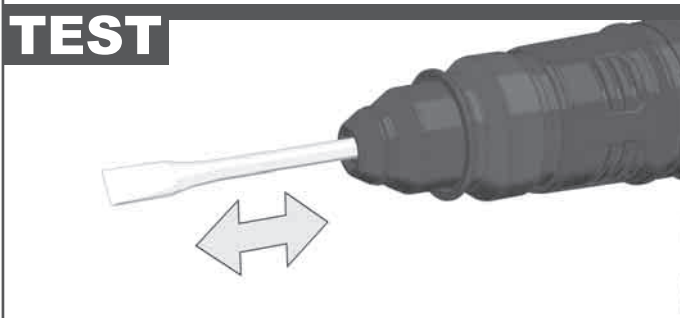
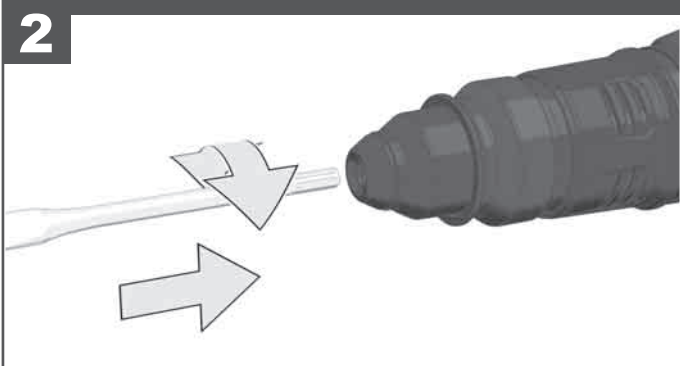


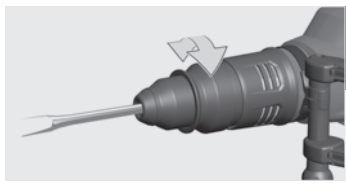
K 1000 S

Original instructions

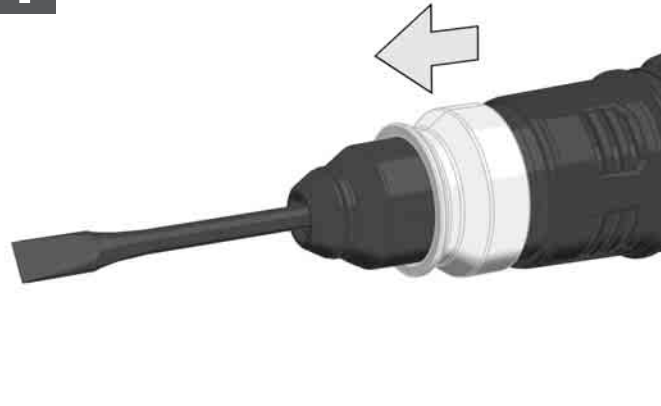




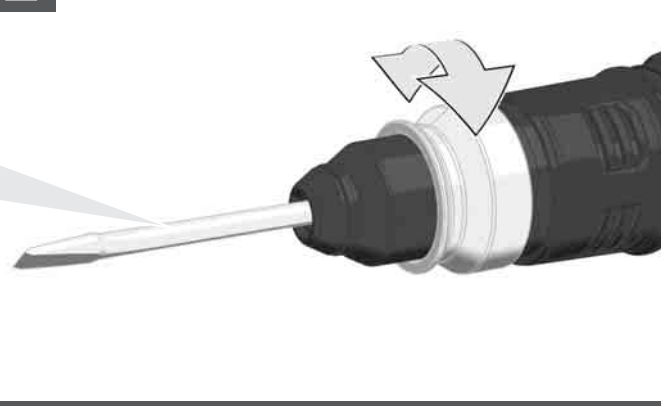




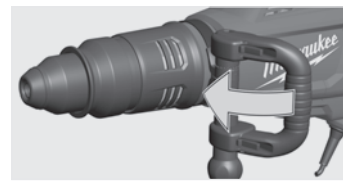
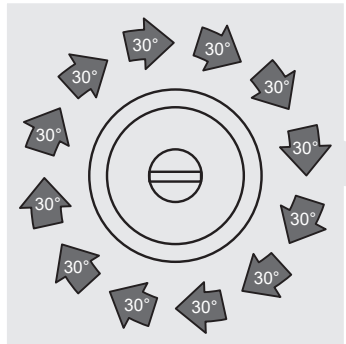
1



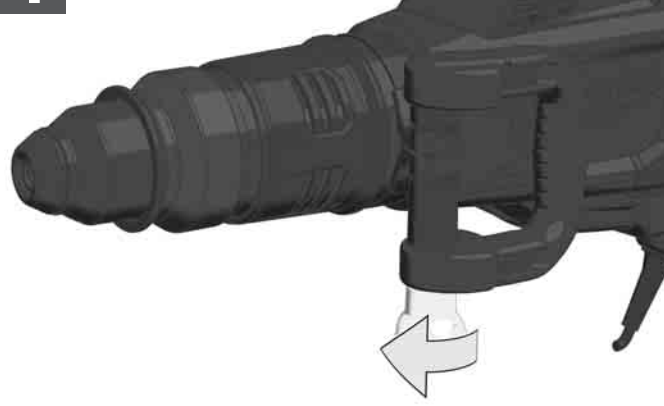
2



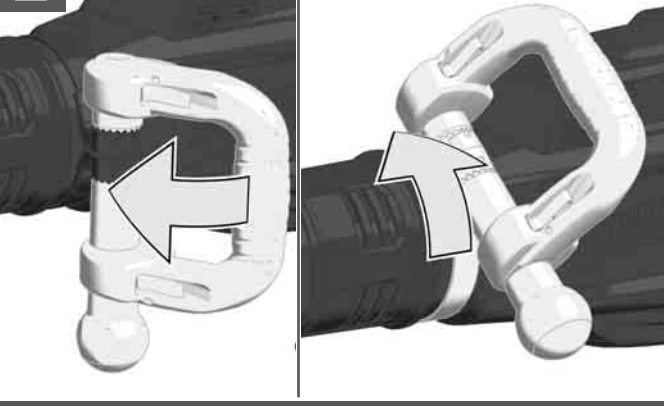
3



1



2

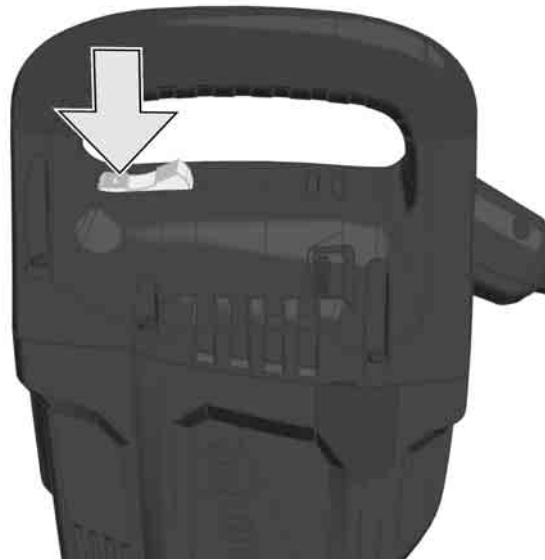


3

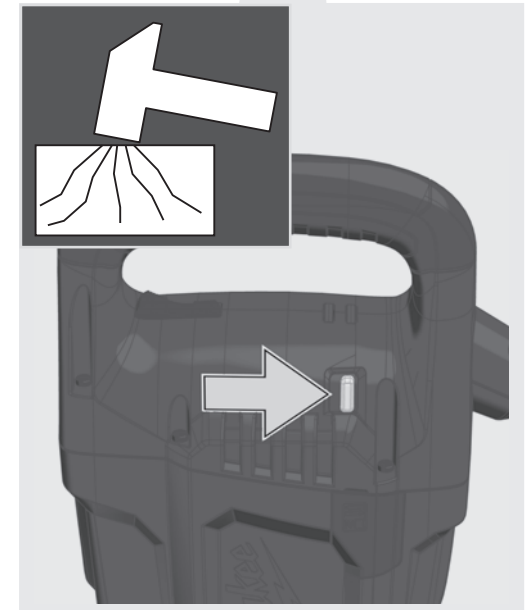
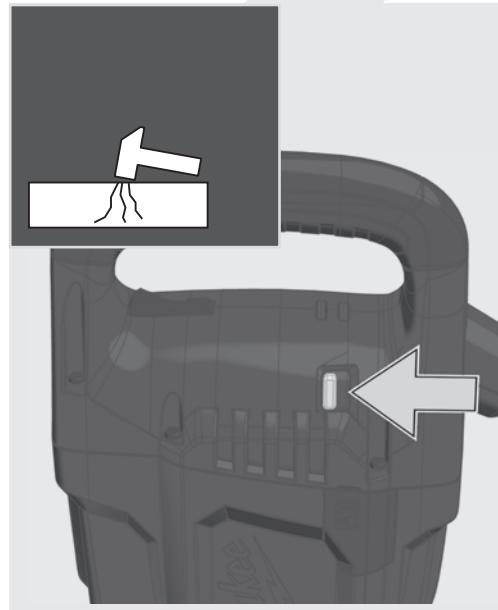
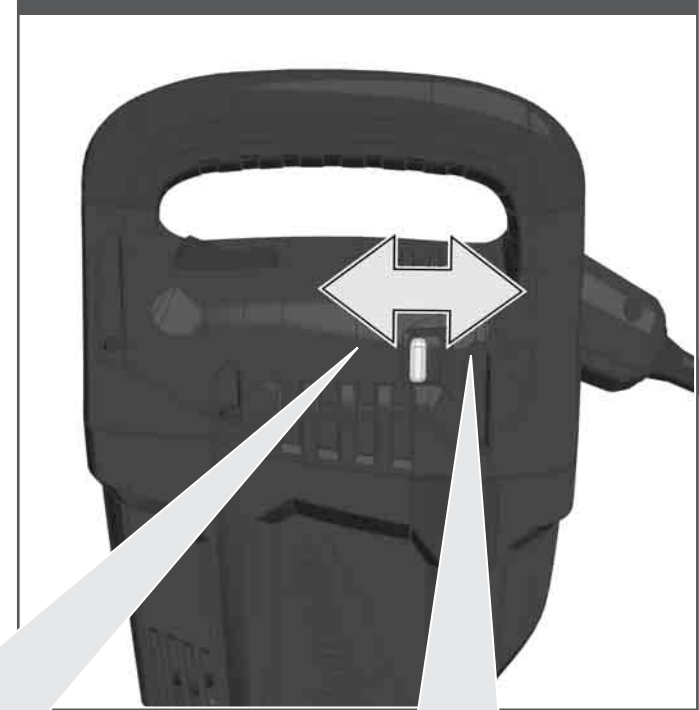




START

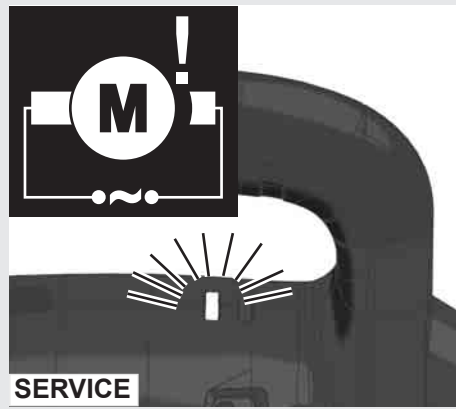


STOP

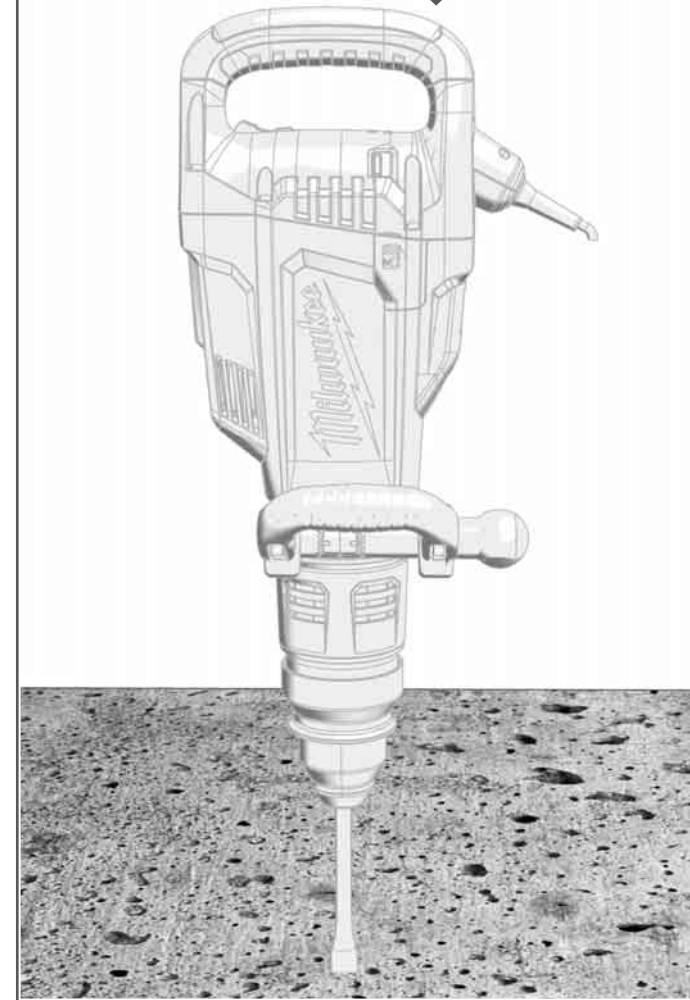
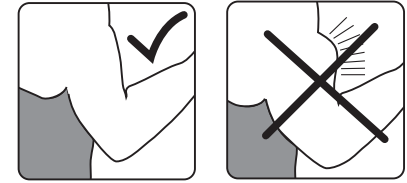
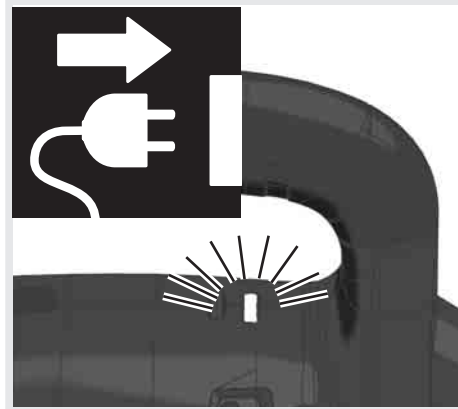




The control lamp flashes: The restart cut-out is active.



SERVICE



Production code.....	4630 86 02...
	...000001-999999
Rated input	1450 W
Output.....	725 W
Rate of percussion under load max.....	1400-1950 min ⁻¹
Impact energy per stroke according to EPTA-Procedure 05/2009	26 J
Tool reception	SDS-MAX
Weight according EPTA-Procedure 01/2014	13,0 kg

Noise Information

Measured values determined according to EN 60 745.

Typically, the A-weighted noise levels of the tool are:

Sound pressure level (Uncertainty K=3dB(A)) 85 dB (A)

Sound power level (Uncertainty K=3dB(A))..... 96 dB (A)

Wear ear protectors!

Vibration Information

Total vibration values (vector sum in the three axes)

determined according to EN 60745.

Chiselling

Vibration emission value a_v..... 6,7 m/s²

Uncertainty K= 2 m/s²

WARNING!

The vibration emission level given in this information sheet has been measured in accordance with a standardised test given in EN 60745 and may be used to compare one tool with another. It may be used for a preliminary assessment of exposure.

The declared vibration emission level represents the main applications of the tool. However if the tool is used for different applications, with different accessories or poorly maintained, the vibration emission may differ. This may significantly increase the exposure level over the total working period.

An estimation of the level of exposure to vibration should also take into account the times when the tool is switched off or when it is running but not actually doing the job. This may significantly reduce the exposure level over the total working period.

Identify additional safety measures to protect the operator from the effects of vibration such as: maintain the tool and the accessories, keep the hands warm, organisation of work patterns.

⚠ WARNING Read all safety warnings, instructions, illustrations and specifications provided with this power tool. Failure to follow all instructions listed below may result in electric shock, fire and/or serious injury.

Save all warnings and instructions for future reference.

⚠ SAFETY INSTRUCTIONS FOR BREAKER HAMMER

Wear ear protectors. Exposure to noise can cause hearing loss.

Hold the power tool by insulated gripping surfaces only, when performing an operation where the cutting accessory may contact hidden wiring or its own cord. Cutting accessory contacting a "live" wire may make exposed metal parts of the power tool "live" and could give the operator an electric shock.

Use auxiliary handle(s), if supplied with the tool. Loss of control can cause personal injury.

ADDITIONAL SAFETY AND WORKING INSTRUCTIONS

Use protective equipment. Always wear safety glasses when working with the machine. The use of protective clothing is recommended, such as dust mask, protective gloves, sturdy non-slip footwear, helmet and ear defenders.

The dust produced when using this tool may be harmful to health. Do not inhale the dust. Wear a suitable dust protection mask.

Do not machine any materials that present a danger to health (e.g. asbestos).

Switch the device off immediately if the insertion tool stalls! Do not switch the device on again while the insertion tool is stalled, as doing so could trigger a sudden recoil with a high reactive force. Determine why the insertion tool stalled and rectify this, paying heed to the safety instructions.

The possible causes may be:

- it is tilted in the workpiece to be machined
- it has pierced through the material to be machined
- the power tool is overloaded

Do not reach into the machine while it is running.

The insertion tool may become hot during use.

WARNING! Danger of burns

- when changing tools
- when setting the device down

Keep mains lead clear from working range of the machine. Always lead the cable away behind you.

When working in walls ceiling, or floor, take care to avoid electric cables and gas or waterpipes.

Always disconnect the plug from the socket before carrying out any work on the machine.

Always keep a safe footing and hold machine with both hands. Keep children or animals away from working area.

Do not direct the machine towards people standing close whilst it is operating. The inserted tool could be catapulted out and cause serious injuries.

Ensure that nobody is at risk of materials being catapulted out or falling. Always work carefully and attempt to anticipate potential dangers.

Put down the machine carefully. Do not throw the machine to the ground or drop it from great heights. If it is thrown to the ground, the machine may injure others or suffer damage itself.

SPECIFIED CONDITIONS OF USE

The hammer can be used for chiselling in stone and concrete.

Do not use this product in any other way as stated for normal use.

MAINS CONNECTION

Appliances used at many different locations including wet room and open air must be connected via a residual current device (FI, RCD, PRCD) of 30mA or less.

Connect only to single-phase AC system voltage as indicated on the rating plate. It is also possible to connect to sockets without an earthing contact as the design conforms to safety class II.

Make sure the machine is switched off before plugging in.

This is a device for professional use which may slightly exceed the guide values for current harmonics when it is connected to the public low voltage mains supply. You should therefore contact your energy supply company before you connect the device to the public low voltage mains supply.

RESTART PROTECTION

A zero-voltage switch prevents the machine from restarting after a power failure. On resuming work, switch the machine off and then back on again.

TRANSPORT, HANDLING AND STORAGE

The machine is heavy. It may cause serious injuries if it is dropped.

The machine has no lifting or lashing points.

Lift the machine using the additional handle and place it on a suitable means of transport.

Secure the machine whilst it is being lifted, transported or stored to prevent it tipping over, falling or slipping.

Always allow the machine to cool down before placing it in storage.

Store the machine in a locked, clean, dry place which is protected from frost and inaccessible for children.

CHANGING THE TOOL

See the picture section for instructions on changing the tool.

The inserted tool must be suitable for the tool mounting.

The shaft of the inserted tool must be undamaged.

The inserted tool must be adequately sharp to prevent recoil.

The inserted tool must be suitable for the planned work.

After inserting the tool, check whether it has been locked correctly.

MAINTENANCE

The ventilation slots of the machine must be kept clear at all times.

Important note! If the carbon brushes are worn, in addition to exchanging the brushes the tool should be sent to after-sales service. This will ensure long service life and top performance.

If the supply cord of this appliance is damaged, it must only be replaced by a repair shop appointed by the manufacturer, to avoid hazardous situations.

Use only Milwaukee accessories and Milwaukee spare parts. Should components need to be replaced which have not been described, please contact one of our Milwaukee service agents (see our list of guarantee/service addresses).

If needed, an exploded view of the tool can be ordered. Please state the machine type printed as well as the six-digit No. on the label and order the drawing at your local service agents or directly at: Techtronic Industries GmbH, Max-Eyth-Straße 10, 71364 Winnenden, Germany.

SYMBOLS

	CAUTION! WARNING! DANGER!
	Remove the battery pack before starting any work on the machine.
	Please read the instructions carefully before starting the machine.
	Wear gloves!
	Wear ear protectors!
	Always wear goggles when using the machine.
	Caution – hot surfaces!
	The guaranteed sound power level shown on this label is 102 dB.



Do not dispose electric tools, batteries/
rechargeable batteries together with household
waste material.

Electric tools and batteries that have reached the
end of their life must be collected separately and
returned to an environmentally compatible
recycling facility.

Check with your local authority or retailer for
recycling advice and collection point.



European Conformity Mark



Regulatory Compliance Mark (RCM). Product
meets applicable regulatory requirements.



Ukraine Conformity Mark



EurAsian Conformity Mark

EC-DECLARATION OF CONFORMITY

We declare as the manufacturer under our sole
responsibility that the product described under "Technical
Data" fulfills all the relevant regulations and the directives
2011/65/EU (RoHS), 2014/30/EU, 2006/42/EC, and the
following harmonized standards have been used:

EN 60745-1:2009+A11:2010
EN 60745-2-6:2010
EN 55014-1:2017+A11:2020
EN 55014-2:2015
EN 61000-3-2:2014
EN 61000-3-3:2013
EN IEC 63000:2018

Measured sound power level 96 dB(A)

Guaranteed sound power level 102 dB(A)

Uncertainty K = 2,02 dB(A)

Conformity assessment procedure according 2000/14/EC to
Annex VI.

Notified Body:
DEKRA Certification B.V. (0344)
Meander 1051/P.O.Box 5185
6825 MS ARNHEIM/6802 ED ARNHEIM
Netherlands

Winnenden, 2021-01-12

Alexander Krug
Managing Director



Authorized to compile the technical file

Techtronic Industries GmbH
Max-Eyth-Straße 10
71364 Winnenden
Germany

Copyright 2020

Techtronic Industries GmbH
Max-Eyth-Str. 10
71364 Winnenden
Germany

+49 (0) 7195-12-0

www.milwaukeeetool.eu

Techtronic Industries (UK) Ltd
Fieldhouse Lane
Marlow Bucks SL7 1HZ
UK



(01.21)

4931 4701 92