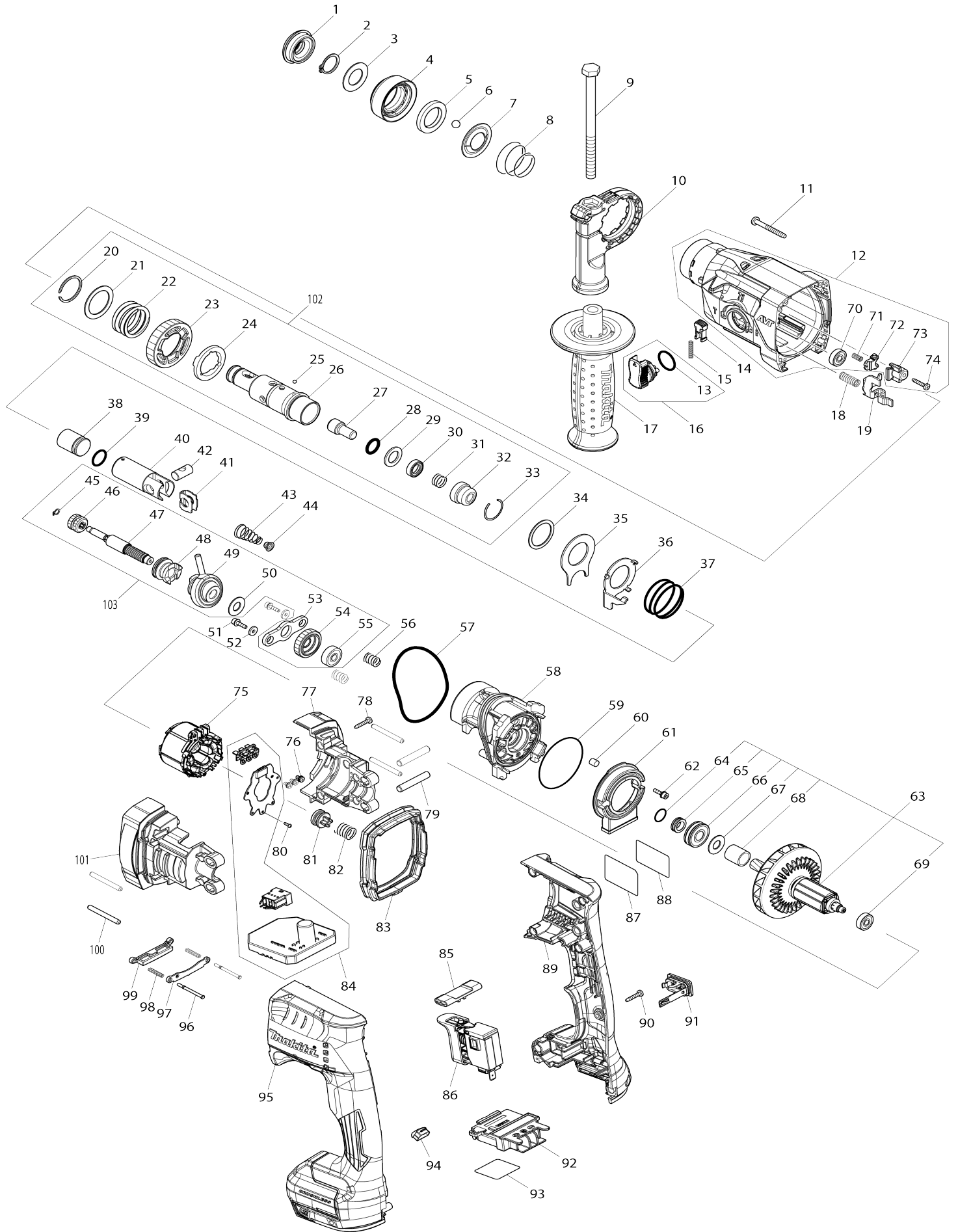


# Model No.DHR182 18MM CRDLS COMBINATION HAMMER



Model No.DHR182 18MM CRDLS COMBINATION HAMMER

Item No.	Parts No.	Description	Interchangability	Q'ty	New/Old	Note1	Note2
001	286037-3	CAP 34		1			
002	961057-5	RETAINING RING S-17		1			
003	253377-4	FLAT WASHER 17		1			
004	458845-4	CHUCK COVER		1			
005	257416-2	RING 21		1			
006	216022-2	STEEL BALL 7.0		2			
007	346177-0	GUIDE WASHER		1			
008	232347-6	CONICAL COMP. SPRING 21-29		1			
009	921923-8	HEX. BOLT M8X120		1	*		
009-1	265583-9	HEX. BOLT M8X120	O	1			
010	417911-6	GRIP BASE		1			
011	266053-1	TAPPING SCREW 4X35		4			
012	136043-7	GEAR HOUSING ASSY		1			
C10	211375-4	BALL BEARING 6805LLB		1			
C20	213874-2	OIL SEAL 25		1			
D10		INC. 70-74					
013	213278-8	O RING 17		1			
014	458851-9	LOCK BUTTON		1			
015	234264-6	COMPRESSION SPRING 3		1			
016	136040-3	CHANGE LEVER ASSY		1			
D10		INC. 13					
017	158057-6	GRIP 36 COMPLETE		1			
C10	931402-8	HEX. NUT M8		1			
018	232473-1	COMPRESSION SPRING 8		1			
019	347463-2	CHANGE PLATE B		1			
020	961135-1	RETAINING(EXT) WR-25		1	*		
020-1	347555-7	SPIRAL RETAINING RING 25	O	1			
021	267304-5	FLAT WASHER 25		1			
022	232360-4	COMPRESSION SPRING 25		1			
023	226854-9	SPUR GEAR 44		1			
024	327039-1	DRIVING FLANGE		1			
025	216019-1	STEEL BALL 3		3	*		
025-1	216061-2	STEEL BALL 3	O	3			
026	326886-7	TOOL HOLDER		1			
027	326887-5	IMPACT BOLT		1			
028	213117-2	O RING 11		1			
029	253380-5	FLAT WASHER 13		1			
030	326888-3	RING 10		1			
031	232357-3	COMPRESSION SPRING 10A		1			
032	327038-3	CUP SLEEVE		1			
033	233942-5	RING SPRING 22		1			
034	267175-0	FLAT WASHER 24		1			
035	345681-6	JOINT PLATE		1			
036	347462-4	CHANGE PLATE A		1			
037	233458-0	COMPRESSION SPRING 32		1			
038	327215-7	STRIKER		1			
039	213832-8	O-RING 13		1			

040	326890-6	PISTON CYLINDER		1		
041	347127-8	GUIDE PLATE		1		
042	324612-8	PISTON JOINT		1		
043	232361-2	CONICAL COMP. SPRING 6-13		1		
044	347130-9	SPRING GUIDE		1		
045	961008-8	RETAINING RING S-5		1		
046	226853-1	SPUR GEAR 12		1		
047	327216-5	CAM SHAFT		1		
048	327217-3	CLUTCH CAM		1		
049	219029-7	SWASH BEARING 9		1		
050	253733-8	FLAT WASHER 9		1		
051	251510-2	H. S. HEAD BOLT M3X12 WITH W RM		2		
052	253381-3	FLAT WASHER 3		2		
053	347129-4	SPRING PLATE		1		
054	221496-4	HELICAL GEAR 23		1	*	
054-1	226906-6	HELICAL GEAR 23	<	1		
055	211016-2	BALL BEARING 626LLB		1		
056	232359-9	COMPRESSION SPRING 7		2		
057	213833-6	O-RING 60		1		
058	140F85-1	INNER HOUSING COMPLETE		1		
059	213641-5	O RING 51		1		
060	443138-2	FILTER		1		
061	458848-8	AIR DUCT		1		
062	251510-2	H. S. HEAD BOLT M3X12 WITH W RM		2	*	
062-1	251510-2	H. S. HEAD BOLT M3X12 WITH W RM	O	2		
063	519549-4	ROTOR ASSY		1		
D10		INC. 64-69				
064	213118-0	O RING 12		1		
065	327227-0	RING 9		1		
066	210162-8	BALL BEARING 609LLU		1		
067	267231-6	FLAT WASHER 9		1		
068	458841-2	SLEEVE 12		1	*	
069	210035-5	BALL BEARING 625DDW		1		
070	210035-5	BALL BEARING 625DDW		1		
071	232474-9	COMPRESSION SPRING 4		1		
072	310913-0	LOCK PLATE		1		
073	458846-2	STOPPER PLATE		1		
074	266130-9	TAPPING SCREW BIND PT 3X16		1		
075	629393-2	STATOR		1		
076	652069-6	FLAT HEAD SCREW M3X6		3		
077	183L14-7	MOTOR HOUSING SET		1		
D10		INC. 101				
078	266130-9	TAPPING SCREW BIND PT 3X16		4		
079	268076-5	PIN 6		2		
080	266490-9	TAPPING SCREW PT 2X6		3	*	
080-1	265C47-1	TAPPING SCREW PT 2X6	O	3		
081	458847-0	SPRING SUPPORT		1		
082	232358-1	COMPRESSION SPRING 10B		1		
083	422354-9	BELLOWS		1		

084	620995-7	CONTROLLER		1		
085	458844-6	F/R CHANGE LEVER		1		
086	651380-3	SWITCH C3JW-6B-25		1		
087	855F52-0	DHR182 NAME PLATE		1		
088	818N47-2	CLEAR LABEL		1		
089	183L12-1	HANDLE SET		1		
C10	263005-3	RUBBER PIN 6		2		
C20	252126-6	HEX. LOCK NUT M4-7		2		
D10		INC. 95				
090	266130-9	TAPPING SCREW BIND PT 3X16		7		
091	140F99-0	CAP COMPLETE		1		
C10	213218-6	O RING 16		1	*	
C11	213A05-9	O-RING16	O	1		
C20	818H07-8	CAP LABEL		1		
092	643874-2	TERMINAL		1		
093	855F59-6	DHR182 SERIAL NO. LABEL		1		
094	620549-0	LED CIRCUIT		1		
095	183L12-1	HANDLE SET		1		
C10	263005-3	RUBBER PIN 6		2		
C20	252126-6	HEX. LOCK NUT M4-7		2		
D10		INC. 89				
096	256586-4	FLAT FILLISTER HEAD PIN 2.5		2		
097	458850-1	GUIDE PLATE		1		
098	232475-7	COMPRESSION SPRING 3		2		
099	458849-6	SHATTER		1		
100	256585-6	ROD 4		4		
101	183L14-7	MOTOR HOUSING SET		1		
D10		INC. 77				
102	136041-1	TOOL HOLDER ASSY		1	*	
D10		INC. 20-33				
102-1	136154-8	TOOL HOLDER ASS'Y	O	1	*	
D10		INC. 20-33				
102-2	136995-2	TOOL HOLDER ASS'Y	O	1		
D10		INC. 20-33				
103	136042-9	CAM SHAFT ASSY		1		
D10		INC. 45-50,53-55				
A01	415486-9	DEPTH GAUGE		1		
B01	199544-6	HAMMER SERVICE KIT		1		
C10	195127-0	OIL VESSEL SET		1		
D10		INC. 1,2,6,28,33,39				
F10-2	198900-7	WIRELESS UNIT SET	<	1	*	
F10-3	198900-7	WIRELESS UNIT SET	O	1		
F14	199593-3	TOOL HANGER SET		1		
A02	821552-6	CONNECTOR PLASTIC CASE (TYP E4)		1		
C10	453974-8	LATCH		4		
A03	818T32-1	DHR182ZWJ PLASTIC CASE LABEL		2		
A07	***DX05	DUST EXTRACTION SYSTEM		1		
D10		COMPO-PARTS				
A08	839891-0	INNER TRAY		1		
A10	818T31-3	DHR182ZWJ INDICATION LABEL		1	*	
A10-1	818S58-7	DHR182ZWJ INDICATION LABEL	O	1		

A12	424474-5	SEALING CAP		5	*		
A12-1	422784-4	SEALING CAP	X	5			
A09	198900-7	WIRELESS UNIT SET		1	*		
A09-1	198900-7	WIRELESS UNIT SET	<	1	*		
A09-2	198900-7	WIRELESS UNIT SET	<	1	*		
A09-3	198900-7	WIRELESS UNIT SET	O	1			
A03	818T40-2	DHR182RTWJ PLASTIC CASE LABEL		2			
A04	450128-8	BATTERY COVER		1			
A05	***DC18RC	DC18RC FAST CHARGER		1			
D10		COMPO-PARTS					
A06	197280-8	BATTERY BL1850B SET		2	*		
A06-1	197280-8	BATTERY BL1850B SET	O	2			
A10	818T39-7	DHR182RTWJ INDICATION LABEL		1	*		
A10-1	818S68-4	DHR182RTWJ INDICATION LABEL	O	1			

Please state Parts No. when your order.

Print Date 06/10/2024