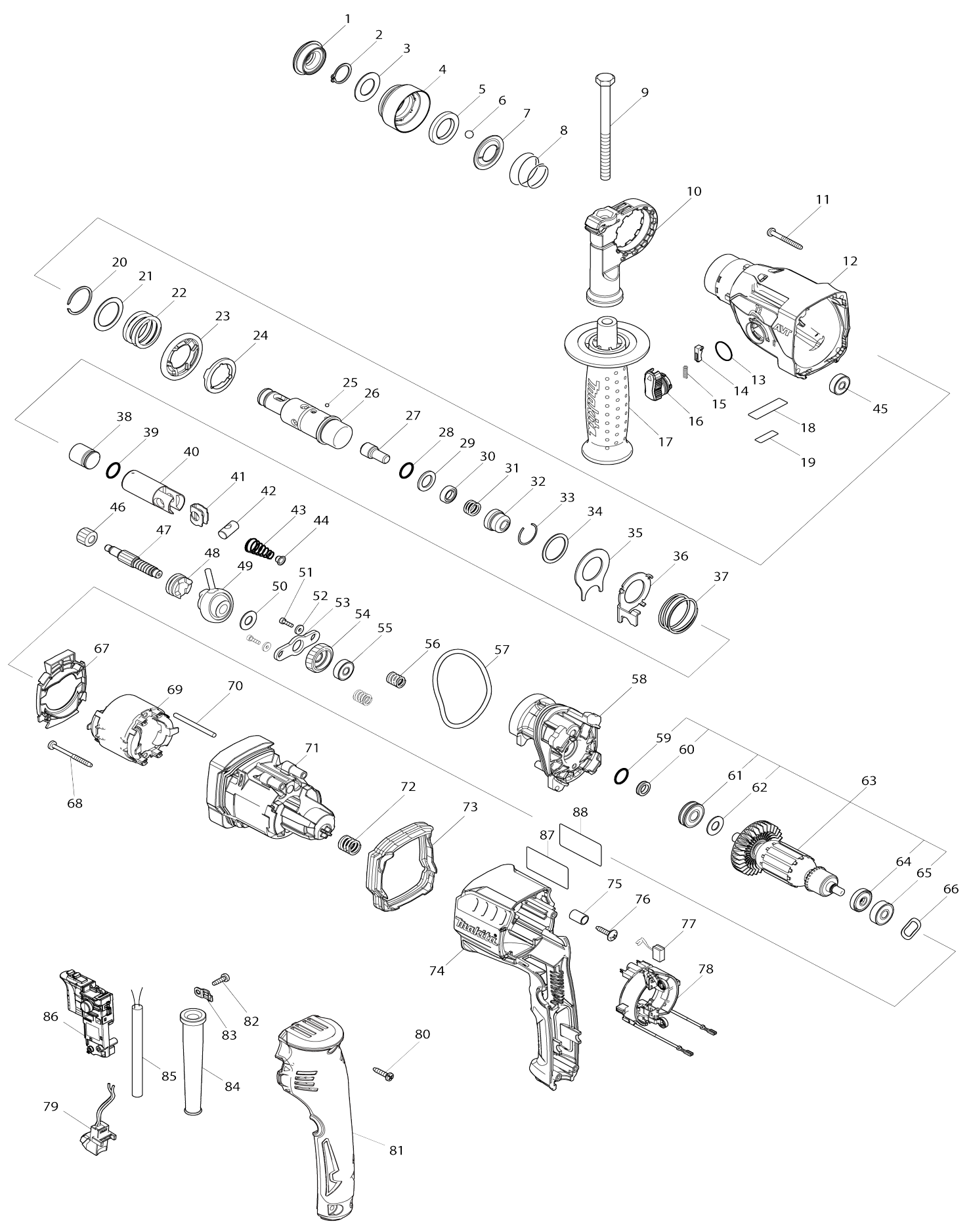


# Model No.HR1841F 18MM ROTARY HAMMER



Model No.HR1841F 18MM ROTARY HAMMER

Item No.	Parts No.	Description	Interchangability	Q'ty	New/Old	Note1	Note2
001	286037-3	CAP 34		1			
002	961057-5	RETAINING RING S-17		1			
003	253377-4	FLAT WASHER 17		1			
004	457214-6	CHUCK COVER		1			
005	257416-2	RING 21		1			
006	216022-2	STEEL BALL 7.0		2			
007	346177-0	GUIDE WASHER		1			
008	232347-6	CONICAL COMP. SPRING 21-29		1			
009	921923-8	HEX. BOLT M8X120		1			
010	417911-6	GRIP BASE		1			
011	266053-1	TAPPING SCREW 4X35		4			
012	144271-0	GEAR HOUSING COMPLETE		1			
C10	213636-8	OIL SEAL 25		1			
C20	211375-4	BALL BEARING 6805LLB		1			
013	213278-8	O RING 17		1			
014	161568-2	LOCK BUTTON COMPLETE		1			
015	232344-2	COMPRESSION SPRING 3		1			
016	161569-0	CHANGE LEVER COMPLETE		1			
017	158057-6	GRIP 36 COMPLETE		1			
C10	931402-8	HEX. NUT M8		1			
018	457356-6	PLATE		1			
019	853K20-7	HR1841F SERIAL NO. LABEL		1			
020	961135-1	RETAINING(EXT) WR-25		1	*		
020-1	347555-7	SPIRAL RETAINING RING 25	O	1			
021	267304-5	FLAT WASHER 25		1			
022	232360-4	COMPRESSION SPRING 25		1			
023	221494-8	SPUR GEAR 44		1			
024	327039-1	DRIVING FLANGE		1			
025	216019-1	STEEL BALL 3		3			
026	326886-7	TOOL HOLDER		1			
027	326887-5	IMPACT BOLT		1			
028	213117-2	O RING 11		1			
029	253380-5	FLAT WASHER 13		1			
030	326888-3	RING 10		1			
031	232357-3	COMPRESSION SPRING 10A		1			
032	327038-3	CUP SLEEVE		1			
033	233942-5	RING SPRING 22		1			
034	267175-0	FLAT WASHER 24		1			
035	345681-6	JOINT PLATE		1			
036	347128-6	CHANGE PLATE		1			
037	233458-0	COMPRESSION SPRING 32		1			
038	326889-1	STRIKER		1			
039	213832-8	O-RING 13		1			
040	326890-6	PISTON CYLINDER		1			
041	347127-8	GUIDE PLATE		1			
042	324612-8	PISTON JOINT		1			
043	232361-2	CONICAL COMP. SPRING 6-13		1			

044	347130-9	SPRING GUIDE		1		
045	211016-2	BALL BEARING 626LLB		1		
046	221495-6	SPUR GEAR 12		1		
047	326892-2	CAM SHAFT		1		
048	326891-4	CLUCTH CAM		1		
049	219029-7	SWASH BEARING 9		1		
050	253733-8	FLAT WASHER 9		1		
051	251510-2	H. S. HEAD BOLT M3X12 WITH W RM		2		
052	253381-3	FLAT WASHER 3		2		
053	347129-4	SPRING PLATE		1		
054	221496-4	HELICAL GEAR 23		1		
055	211016-2	BALL BEARING 626LLB		1		
056	232359-9	COMPRESSION SPRING 7		2		
057	213833-6	O-RING 60		1		
058	144270-2	INNER HOUSING COMPLETE		1		
059	213118-0	O RING 12		1		
060	326893-0	RING 9		1		
061	210162-8	BALL BEARING 609LLU		1		
062	267231-6	FLAT WASHER 9		1		
063	513989-8	ARMATURE ASS'Y 240V		1		
D10		INC. 59-62,64,65				
064	681670-0	INSULATION WASHER		1		
065	210023-2	BALL BEARING 627DDW		1		
066	267804-5	WAVE WASHER 15		1		
067	457350-8	BUFFLE PLATE A		1		
068	266069-6	TAPPING SCREW 4X45		2		
069	633994-0	FIELD		1		
070	256347-2	ROD 4		3		
071	457352-4	MOTOR HOUSING A		1		
072	232358-1	COMPRESSION SPRING 10B		1		
073	424951-7	BELLOWS		1		
074	457355-8	HANDLE		1		
075	257417-0	SLEEVE 8		2		
076	251530-6	TAPPING SCREW 4X18		2		
077	194722-3	CARBON BRUSH CB-459		1	*	
077-1	195026-6	CARBON BRUSH SET CB-459	O	1		
078	632K41-0	BRUSH HOLDER UNIT		1		
079	631937-6	LIGHT CIRCUIT		1		
080	266326-2	TAPPING SCREW 4X18		3		
081	457354-0	HANDLE COVER		1		
082	266385-6	TAPPING SCREW 4X14		1		
083	687682-1	STRAIN RELIEF		1		
084	682566-8	CORD GUARD 10		1		
085	665890-4	POWER SUPPLY CORD 1.0-2-4.0		1		
086	651086-3	SWITCH TG853TB-2		1		
087	853K16-8	HR1841F NAME PLATE		1		
088	813E00-9	CLEAR LABEL		1	*	
A01	415486-9	DEPTH GAUGE		1		
A02	821549-5	CONNECTOR PLASTIC CASE (TYP E1)		1		
C10	453974-8	LATCH		4		

A03	813D83-3	HR1841FJ PLASTIC CARRYING CASE		2			
A04	813D82-5	HR1841FJ INDICATION LABEL		1			
A05	839214-2	INNER TRAY		1			
B01	198627-9	HAMMER SERVICE KIT		1			
C10	195127-0	OIL VESSEL SET		1			
D10		INC. 1,2,6,28,33,39,77					
F07	199245-6	DUSTCUP SET		1			

Please state Parts No. when your order.

Print Date 12/05/2023