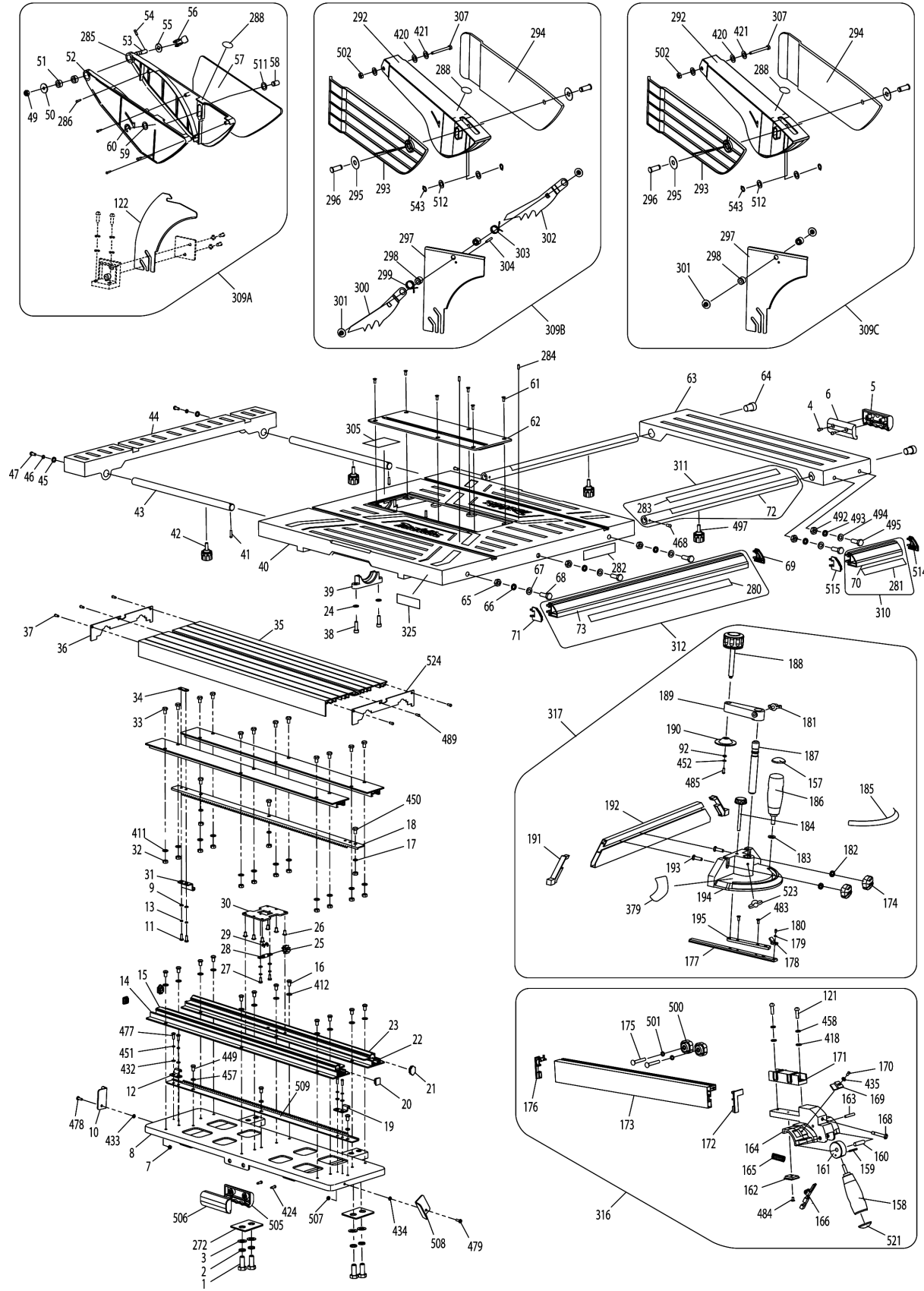
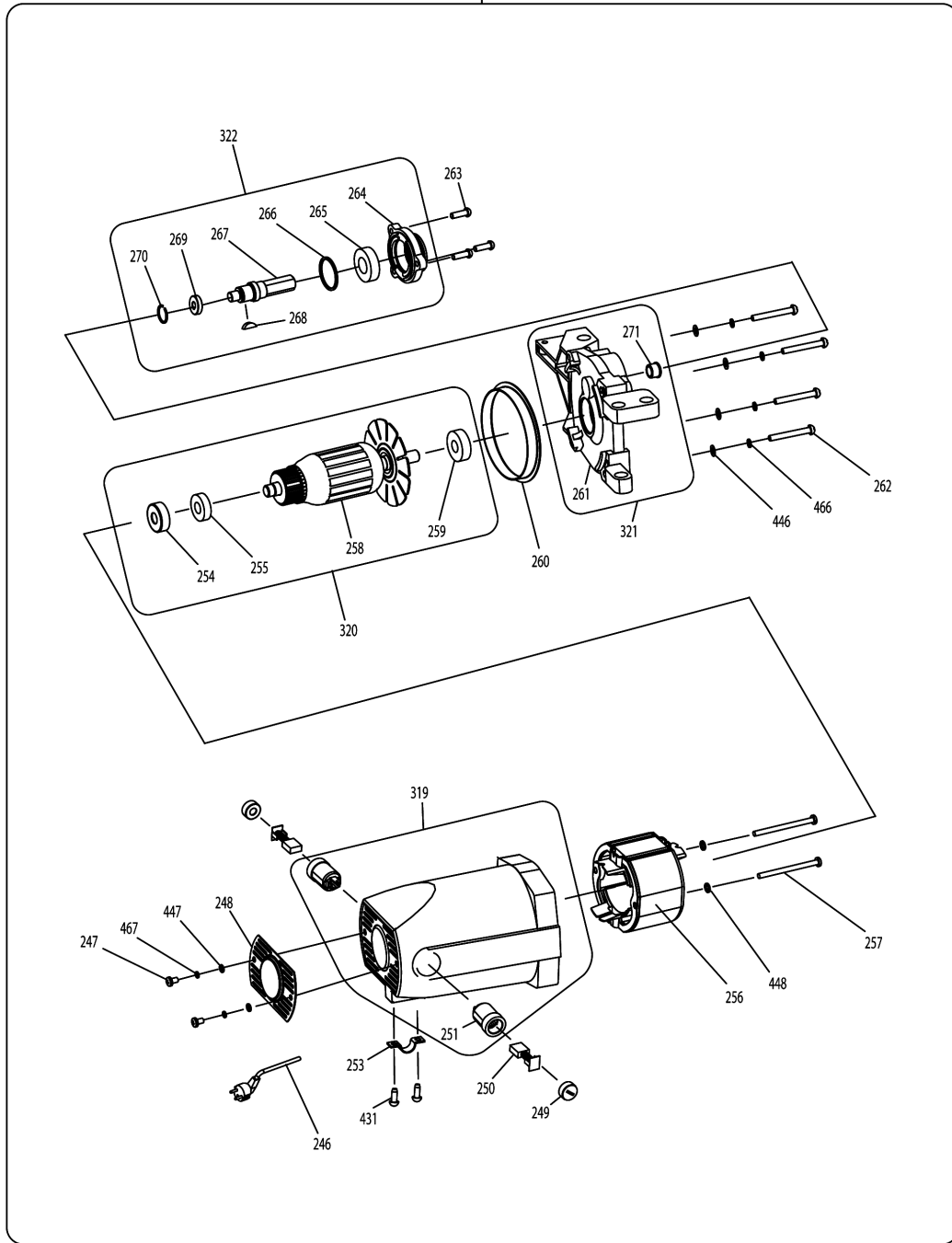


Model No.MLT100 TABLE SAW 255MM

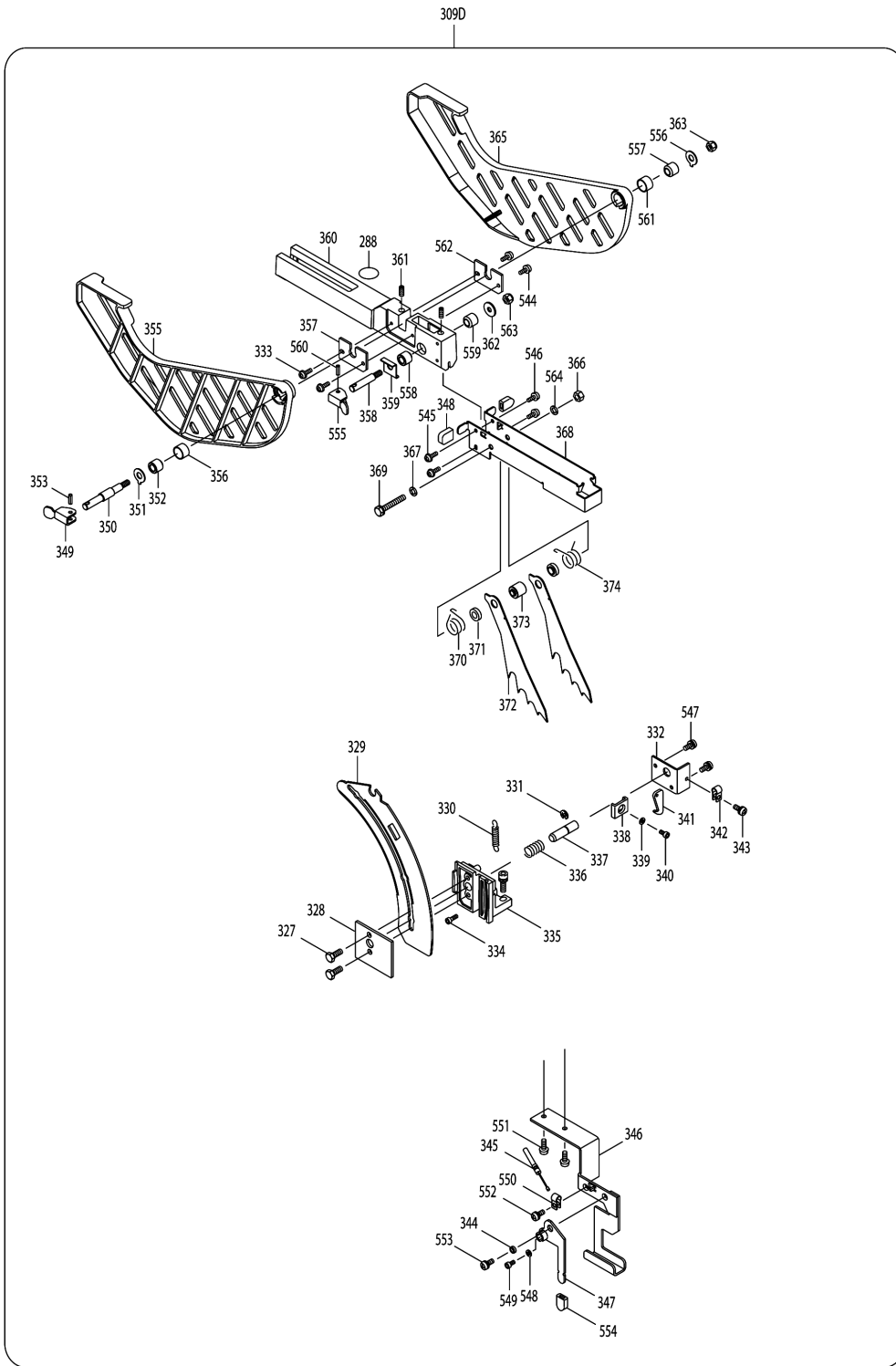


Model No.MLT100 TABLE SAW 255MM

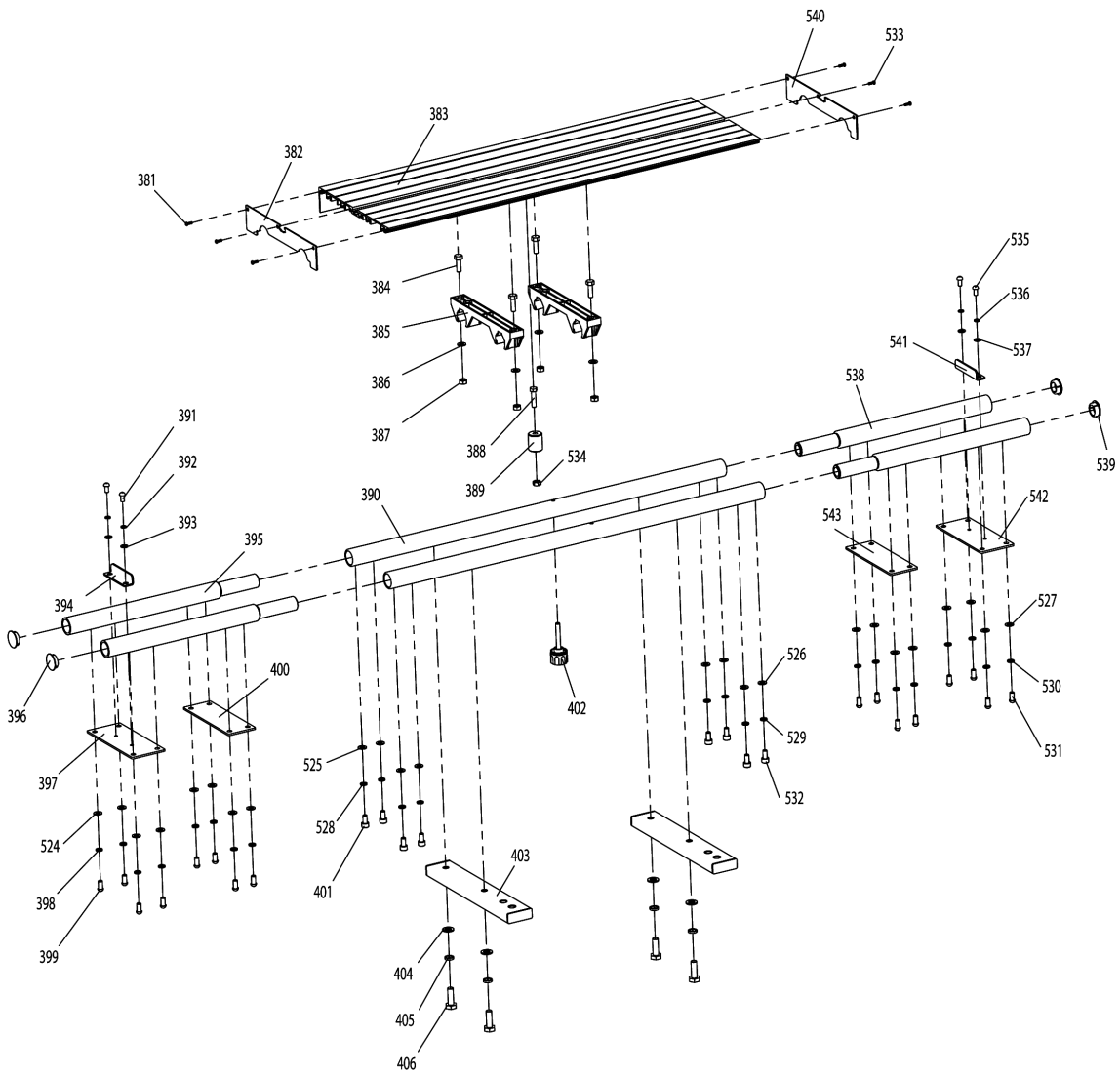
119



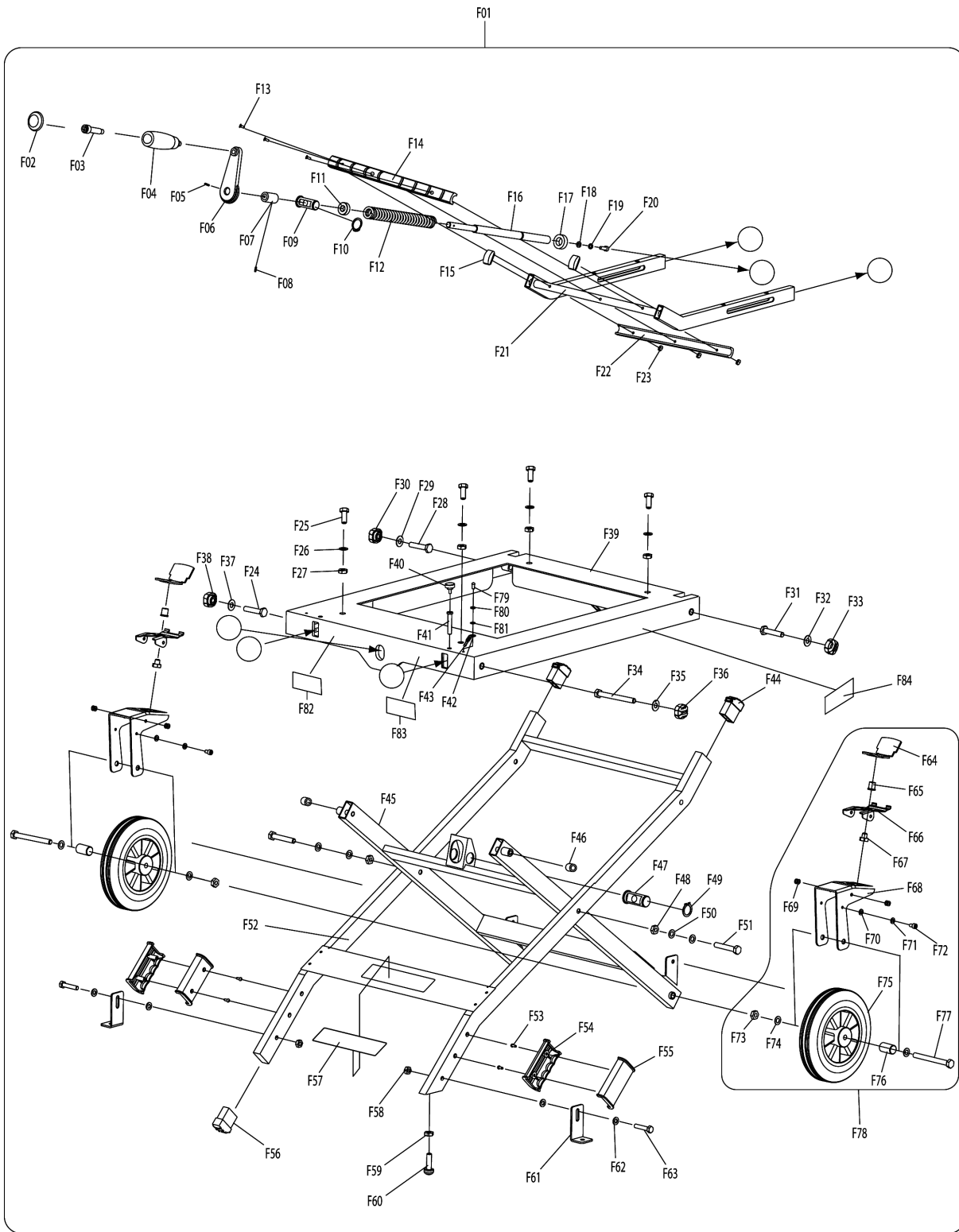
Model No.MLT100 TABLE SAW 255MM



Model No.MLT100 TABLE SAW 255MM



Model No.MLT100 TABLE SAW 255MM



Model No.MLT100 TABLE SAW 255MM

| Item | Parts No. | Description | I/C | Qty | New/Old | Opt. 1 | Opt. 2 | Note |
|-------|------------|--------------------------------|-----|-----|---------|--------|--------|------|
| 001 | JM27000001 | HEX BOLT M10X35 | | 4 | | | | |
| 002 | JM27000002 | SPRING WASHER 10 | | 4 | | | | |
| 003 | JM27000003 | FLAT WASHER 10 | | 4 | | | | |
| 004 | JM27000004 | TAPPING SCREW ST3.9X12 | | 2 | | | | |
| 005 | JM27000005 | GRIP (OUTSIDE) | | 1 | | | | |
| 006 | JM27000006 | GRIP (INSIDE) | | 1 | | | | |
| 007 | JM27000007 | HEX LOCK NUT M4 | | 1 | | | | |
| 008 | JM27000008 | SLIDE TABLE BASE | | 1 | | | | |
| 009 | JM27000009 | FLAT WASHER 4 | | 2 | | | | |
| 010 | JM27000010 | SLIDE TABLE STOPPER | | 1 | | | | |
| 011 | JM27000011 | PAN HEAD SCREW M4X12 | | 2 | | | | |
| 012 | JM27000012 | SLIDE LIMITER LOWER REAR | | 1 | | | | |
| 013 | JM27000013 | SPRING WASHER 4 | | 2 | | | | |
| 014 | JM27000014 | SQUARE SLIDER RAIL OUTSIDE | | 2 | | | | |
| 015 | JM27000015 | SLIDING FLAT RAIL | | 1 | * | | | |
| 016 | JM27000016 | PAN HEAD SCREW M6X10 | | 1 | * | | | |
| 016-1 | JM27000016 | PAN HEAD SCREW M6X10 | < | 12 | | | | |
| 017 | JM27000017 | SPRING WASHER 6 | | 3 | * | | | |
| 017-1 | JM27000024 | FLAT WASHER 6 | X | 3 | | | | |
| 018 | JM27000018 | RACK FOR SLIDE TABLE | | 1 | | | | |
| 019 | JM27000019 | SLIDE LIMITER LOWER FRONT | | 1 | | | | |
| 020 | JM27000020 | SQUARE SLIDER RAIL END CAP | | 2 | | | | |
| 021 | JM27000021 | V-SLIDER RAIL END CAP | | 2 | | | | |
| 022 | JM27000022 | V-SLIDER RAIL OUTSIDE | | 2 | | | | |
| 023 | JM27000023 | SLIDING RAIL | | 1 | * | | | |
| 024 | JM27000024 | FLAT WASHER 6 | | 2 | | | | |
| 025 | JM27000025 | PINION GEAR FOR SLIDE TABLE | | 1 | | | | |
| 026 | JM27000026 | RIVET 5X9 | | 6 | * | | | |
| 027 | JM27000027 | PAN HEAD SCREW M4X10 | | 2 | | | | |
| 028 | JM27000028 | PINION GEAR AXLE | | 1 | | | | |
| 029 | JM27000029 | E SHAPE RETAINING RING 6 | | 1 | * | | | |
| 029-1 | JM27000029 | E SHAPE RETAINING RING 6 | < | 2 | | | | |
| 030 | JM27000030 | SLIDING LIMITED PLATE | | 1 | * | | | |
| 031 | JM27000031 | SLIDE LIMITER LOWER REAR | | 1 | | | | |
| 032 | JM27000032 | HEX NUT M6 | | 12 | | | | |
| 033 | JM27000033 | HEX BOLT M6X10 | | 12 | | | | |
| 034 | JM27000034 | PLATE NUT M4 | | 1 | | | | |
| 035 | JM27000035 | SLIDING TABLE | | 1 | | | | |
| 036A_ | JM27000036 | SLIDING TABLE COVER | | 1 | | | | |
| 037 | JM27000037 | TAPPING SCREW ST3.9X8 | | 3 | | | | |
| 038 | JM27000038 | PAN HEAD SCREW M6X16 | | 2 | | | | |

Please order the parts with part number.

Print Date 31/3/2020

Model No.MLT100 TABLE SAW 255MM

| Item | Parts No. | Description | I/C | Qty | New/Old | Opt. 1 | Opt. 2 | Note |
|-------|------------|-------------------------------|-----|-----|---------|--------|--------|------|
| 039 | JM27000039 | FIX BRACKET FOR BLADE CASE | | 1 | | | | |
| 040A_ | JM27000040 | MAIN TABLE A | | 1 | * | | | |
| 040A1 | JM27000430 | MAIN TABLE A | < | 1 | * | | | |
| 040A2 | JM00000002 | MAIN TABLE A | < | 1 | | | | |
| 041 | JM27000042 | PAN HEAD SCREW M5X10 | | 2 | * | | | |
| 041-1 | JM27000167 | PAN HEAD SCREW M5X12 | X | 2 | | | | |
| 042 | JM27000043 | KNOB BOLT M6X20 | | 2 | | | | |
| 043 | JM27000044 | SLIDE SHAFT 330 | | 2 | | | | |
| 044A_ | JM27000045 | REAR EXTENSION TABLE | | 1 | * | | | |
| 044A1 | JM27000046 | REAR EXTENSION TABLE ASSEMBLY | O | 1 | | | | |
| 045 | JM27000047 | WASHER 5 (L) | | 2 | | | | |
| 046 | JM27000048 | SPRING WASHER 5 | | 2 | | | | |
| 047 | JM27000049 | CROSS HEAD SCREW M5X14 | | 2 | * | | | |
| 047-1 | JM27000167 | PAN HEAD SCREW M5X12 | X | 2 | | | | |
| 049 | JM27000051 | HEX LOCK NUT M6 | | 1 | | | | |
| 050 | JM27000055 | WASHER 6 (21.5) | | 1 | | | | |
| 051 | JM27000056 | FIX PLATE | | 2 | | | | |
| 052 | JM27000057 | LEFT GUARD | | 1 | | | | |
| 053 | JM27000058 | CONNECTION BOLT | | 1 | | | | |
| 054 | JM27000059 | PIN 4X12 | | 1 | | | | |
| 055 | JM27000060 | WASHER | | 1 | | | | |
| 056 | JM27000061 | QUICK FIXING LEVER | | 1 | | | | |
| 057 | JM27000062 | SIDE PROTECTION PLATE | | 1 | | | | |
| 058 | JM27000063 | PIN 10X21.5 | | 1 | | | | |
| 059 | JM27000064 | FLAT WASHER 10 | | 1 | | | | |
| 060 | JM27000065 | RING 10 | | 1 | | | | |
| 061 | JM27000066 | FLAT HEAD SCREW M4X8 | | 6 | | | | |
| 062A_ | JM27000067 | TABLE INSERT (PLASTIC) | | 1 | | | | |
| 063A_ | JM27000068 | RIGHT EXTENSION TABLE | | 1 | | | | |
| 064 | JM27000069 | HEX SOCKET HEAD BOLT M14X20 | | 2 | | | | |
| 065 | JM27000070 | HEX NUT M8 | | 3 | | | | |
| 066 | JM27000071 | SPRING WASHER 8 | | 3 | | | | |
| 067 | JM27000072 | FLAT WASHER 8 | | 3 | | | | |
| 068 | JM27000073 | SQUARE NECK BOLT M8X25 | | 3 | | | | |
| 069 | JM27000074 | FRONT RAIL END CAP RIGHT | | 1 | | | | |
| 070 | JM27000075 | FRONT RAIL FOR RIGHT EX-TABLE | | 1 | | | | |
| 071 | JM27000078 | FRONT RAIL END CAP LEFT | | 1 | | | | |
| 072 | JM27000079 | SLIDING BAR A | | 2 | * | | | |
| 072-1 | JM27000425 | SLIDE PIPE 630 | X | 2 | | | | |
| 073 | JM27000082 | FRONT RAIL | | 1 | | | | |

Model No.MLT100 TABLE SAW 255MM

| Item | Parts No. | Description | I/C | Qty | New/Old | Opt. 1 | Opt. 2 | Note |
|-------|------------|----------------------------------|-----|-----|---------|--------|--------|------|
| 074 | JM27000085 | KNOB NUT M10 | | 1 | | | | |
| 077A_ | JM27000088 | FIX PLATE | | 1 | * | | | |
| 077A1 | JM00000147 | TOOL CASE ASSY | < | 1 | | | | |
| 078 | JM27000089 | SAW DUST OUTLET | | 1 | | | | |
| 079 | JM27000090 | CUFFS 57-45 | | 1 | | | | |
| 080 | JM27000091 | HEX BOLT M6X65 | | 1 | | | | |
| 081 | JM27000092 | HEX BOLT M6X55 | | 1 | | | | |
| 082 | JM27000093 | CORD HANGER | | 2 | | | | |
| 083 | JM27000094 | CORD GUARD | | 1 | | | | |
| 084A_ | JM27000095 | HOOK | | 2 | | | | |
| 085 | JM27000096 | CROSS HEAD SCREW M5X25 | | 6 | * | | | |
| 085-1 | JM27000156 | PAN HEAD SCREW M5X20 | X | 6 | | | | |
| 087 | JM27000102 | CORD CLAMP | | 1 | | | | |
| 088 | JM27000103 | TAPPING SCREW ST3.9X16 | | 2 | | | | |
| 089 | JM27000104 | HEX BOLT M10X45 | | 1 | | | | |
| 090A_ | JM27000105 | CABINET | | 1 | * | | | |
| 091 | JM27000108 | UNDER PANEL | | 1 | | | | |
| 092 | JM27000109 | WASHER 4 (L) | | 1 | * | | | |
| 092-1 | JM27000009 | FLAT WASHER 4 | X | 1 | | | | |
| 093 | JM27000110 | FRONT PANEL LABEL | | 1 | | | | |
| 094 | JM27000111 | HEX BOLT M6X16 | | 2 | | | | |
| 095 | JM27000112 | BLADE CASE FIX BRACKET SPACER | | 1 | | | | |
| 096A_ | JM27000113 | MAKITA LOGO PLATE | | 1 | | | | |
| 097 | JM27000114 | TAPPING SCREW ST2.9X10 | | 2 | | | | |
| 098 | JM27000115 | SOFT START DEVICE COVER | | 1 | | | | |
| 099 | JM27000116 | SOFT START DEVICE | | 1 | | | | |
| 100 | JM27000117 | TAPPING SCREW ST2.9X8 | | 2 | | | | |
| 101 | JM27000118 | CORD CLAMP | | 2 | * | | | |
| 101-1 | JM27000118 | CORD CLAMP | < | 1 | | | | |
| 102 | JM27000119 | SWITCH BOX COVER | | 1 | | | | |
| 103 | JM27000120 | SWITCH BOX | | 1 | | | | |
| 104A_ | JM27000121 | CIRCUIT BREAKER 220-240V | | 1 | | | | |
| 105 | JM27000122 | LABEL FOR CIRCUIT BREAKER | | 1 | | | | |
| 106 | JM27000123 | NUT FOR CIRCUIT BREAKER | | 1 | | | | |
| 107A_ | JM27000124 | MAGNETIC SWITCH A (HV) | | 1 | * | | | |
| 107A1 | JM27000443 | ANTI RESTART SWITCH 220- 240V | < | 1 | | | | |
| 108 | JM27000136 | PAN HEAD SCREW M4X14 | | 2 | | | | |
| 109 | JM27000137 | HEX SOCKET HEAD BOLT M6X12 | | 1 | | | | |
| 110 | JM27000138 | LOCK HANDLE FOR BLADE ANGLE | | 1 | | | | |
| 111 | JM27000139 | BLADE ANGLE LOCKING BOLT | | 1 | | | | |

Model No.MLT100 TABLE SAW 255MM

| Item | Parts No. | Description | I/C | Qty | New/Old | Opt. 1 | Opt. 2 | Note |
|-------|------------|--------------------------------|-----|-----|---------|--------|--------|------|
| 112 | JM27000140 | COMPRESSION SPRING | | 1 | | | | |
| 113 | JM27000141 | FLAT WASHER 10 | | 1 | | | | |
| 114 | JM27000142 | BLADE ANGLE ADJUSTING RACK | | 1 | | | | |
| 115 | JM27000143 | SUPPORT PLATE FOR ADJUST RACK | | 1 | | | | |
| 116 | JM27000144 | FLAT HEAD SCREW M5X8 | | 4 | | | | |
| 117A_ | JM27000145 | RIP FENCE HOLDER | | 1 | | | | |
| 119A_ | JM27000147 | MOTOR ASSEMBLY 230V | | 1 | * | | | |
| D10 | | INC. 246-250,253,256,257,260, | | | * | | | |
| D20 | | INC. 262,263,319-322,431, | | | * | | | |
| D30 | | INC. 446-448,466,467 | | | * | | | |
| 120 | JM27000148 | BRACKET FOR RIVING KNIFE | | 1 | | | | |
| 121 | JM27000149 | HEX SOCKET HEAD BOLT M6X20 | | 2 | | | | |
| 122 | JM27000150 | RIVING KNIFE | | 1 | * | | | |
| 122-1 | JM27000150 | RIVING KNIFE | O | 1 | | | | |
| 123 | JM27000151 | FIX PLATE FOR RIVING KNIFE | | 1 | | | | |
| 124 | JM27000152 | RETAINER PLATE FOR BLADE CASE | | 1 | | | | |
| 125 | JM27000153 | BLADE CASE LEFT SIDE | | 1 | | | | |
| 126 | JM27000154 | COVER PLATE FOR BLADE CASE | | 1 | | | | |
| 127 | JM27000155 | FLAT WASHER 5 | | 2 | | | | |
| 128 | JM27000156 | PAN HEAD SCREW M5X20 | | 2 | * | | | |
| 128-1 | JM27000156 | PAN HEAD SCREW M5X20 | < | 4 | | | | |
| 129 | JM27000157 | SLIDE SHAFT FOR BLADE LIFTING | | 2 | | | | |
| 130 | JM27000158 | SLIDE SCREW FOR BLADE LIFTING | | 1 | | | | |
| 131 | JM27000159 | KEY 4X8 | | 1 | | | | |
| 132 | JM27000160 | BRACKET FOR SLIDE SCREW | | 1 | | | | |
| 133 | JM27000161 | HEX SOCKET HEAD BOLT M5X20 | | 2 | | | | |
| 134 | JM27000162 | BEVEL GEAR FOR BLADE LIFTING | | 1 | | | | |
| 135 | JM27000163 | RETAINING RING S-10 | | 1 | | | | |
| 136 | JM27000164 | BLADE ANGLE POINTER | | 1 | | | | |
| 137 | JM27000165 | HANDLE AXLE FOR BLADE LIFTING | | 1 | | | | |
| 138 | JM27000166 | ADJUSTING GRIP FOR BLADE ANGLE | | 1 | | | | |
| 139 | JM27000167 | PAN HEAD SCREW M5X12 | | 1 | | | | |
| 140 | JM27000168 | CRANK ASSY FOR BLADE LIFTING | | 1 | * | | | |
| 140-1 | JM27000168 | CRANK ASSY FOR BLADE LIFTING | O | 1 | | | | |
| D10 | | INC. 141,593-596 | | | | | | |
| 141 | JM27000169 | PAN HEAD STEPPED SCREW M5X37 | | 1 | | | | |
| 142 | JM27000170 | PROTECTION PLATE | | 1 | | | | |

Please order the parts with part number.

Print Date 31/3/2020

Model No.MLT100 TABLE SAW 255MM

| Item | Parts No. | Description | I/C | Qty | New/Old | Opt. 1 | Opt. 2 | Note |
|-------|------------|-------------------------------|-----|-----|---------|--------|--------|------|
| 143 | JM27000171 | INNER FLANGE 52 | | 1 | | | | |
| 144 | JM27000172 | H.S.SET SCREW M6X12 WITH GLUE | | 1 | | | | |
| 145 | JM27000173 | SPRING FOR BLADE CASE BRACKET | | 2 | | | | |
| 146 | JM27000174 | PAN HEAD SCREW M3X25 | | 2 | | | | |
| 147 | JM27000175 | WASHER 3 (L) | | 2 | | | | |
| 148 | JM27000176 | HEX LOCK NUT M3 | | 2 | | | | |
| 149 | JM27000177 | TAPPING SCREW ST3.9X10 | | 1 | | | | |
| 150 | JM27000178 | PROTECTION PLATE 397X123 | | 1 | | | | |
| 151 | JM27000179 | OUTER FLANGE 52 | | 1 | | | | |
| 152 | JM27000180 | HEX NUT M16 | | 1 | | | | |
| 153 | JM27000181 | BLADE CASE RIGHT SIDE | | 1 | | | | |
| 154 | JM27000182 | BLADE CASE PLATE | | 1 | | | | |
| 155 | JM27000183 | HEX LOCK NUT M5 | | 1 | | | | |
| 156 | JM27000184 | SUPPORT BRACKET | | 1 | | | | |
| 157 | JM27000185 | COVER | | 1 | * | | | |
| 158 | JM27000186 | GRIP SCREW M8X10 | | 1 | * | | | |
| 158-1 | JM27000186 | GRIP SCREW M8X10 | S | 1 | | | | |
| 159 | JM27000187 | SPRING PIN 4X30 | | 1 | | | | |
| 160 | JM27000188 | KNURLED PIN 8X30 | | 1 | | | | |
| 161 | JM27000189 | ECCENTRIC RING | | 1 | | | | |
| 162 | JM27000190 | FRICTION PAD | | 1 | | | | |
| 163 | JM27000191 | KNURLED PIN 5X30 | | 1 | | | | |
| 164A_ | JM27000192 | RIP FENCE BRACKET | | 1 | | | | |
| 165 | JM27000193 | COMPRESSION SPRING | | 1 | | | | |
| 166 | JM27000194 | RIP FENCE FIXED PLATE | | 1 | | | | |
| 168 | JM27000196 | HEX BOLT M6X35 | | 1 | | | | |
| 169 | JM27000197 | POINTER | | 1 | | | | |
| 170 | JM27000198 | PAN HEAD SCREW M4X8 | | 1 | | | | |
| 171 | JM27000199 | FENCE BRACKET | | 1 | | | | |
| 172 | JM27000200 | FENCE END CAP | | 1 | | | | |
| 173 | JM27000201 | FENCE BAR | | 1 | | | | |
| 174 | JM27000203 | THUMB NUT M6 | | 2 | | | | |
| 175 | JM27000204 | SQUARE NECK BOLT M6X60 | | 2 | | | | |
| 176 | JM27000205 | FENCE END CAP | | 1 | | | | |
| 177 | JM27000206 | SLIDING BAR | | 1 | | | | |
| 178 | JM27000207 | POINTER | | 1 | | | | |
| 179 | JM27000208 | FLAT WASHER 3 | | 1 | | | | |
| 180 | JM27000209 | PAN HEAD SCREW M3X8 | | 1 | | | | |
| 181 | JM27000210 | THUMB SCREW M6X13 | | 1 | | | | |
| 182 | JM27000211 | WASHER 6 (L) | | 2 | | | | |
| 183 | JM27000212 | WASHER 8 | | 1 | | | | |

Model No.MLT100 TABLE SAW 255MM

| Item | Parts No. | Description | I/C | Qty | New/Old | Opt. 1 | Opt. 2 | Note |
|-------|------------|-----------------------------|-----|-----|---------|--------|--------|------|
| 184 | JM27000213 | THUMB SCREW M6X62 | | 1 | | | | |
| 185 | JM27000214 | SCALE LABEL | | 1 | | | | |
| 186 | JM27000215 | GRIP SCREW M8X20 | | 1 | * | | | |
| 186-1 | JM27000215 | GRIP SCREW M8X20 | S | 1 | | | | |
| 187 | JM27000216 | WISE ROD | | 1 | | | | |
| 188 | JM27000217 | THUMB SCREW M10X92 | | 1 | | | | |
| 189 | JM27000218 | WISE ARM | | 1 | | | | |
| 190 | JM27000219 | WISE PLATE | | 1 | | | | |
| 191 | JM27000220 | FENCE END CAP | | 2 | | | | |
| 192 | JM27000221 | FENCE PLATE | | 1 | | | | |
| 193 | JM27000222 | SQUARE NECK BOLT M6X30 | | 2 | | | | |
| 194A_ | JM27000223 | ANGLE RULE BASE | | 1 | | | | |
| 195 | JM27000225 | SLIDING BAR SPACER | | 1 | | | | |
| 246 | JM23000156 | POWER SUPPLY CORD ASSY EURO | | 1 | | | | |
| 247 | JM27000292 | PAN HEAD SCREW M5X8 | | 2 | | | | |
| 248 | JM27000293 | AIR INLET COVER PLATE | | 1 | | | | |
| 249 | JM27000294 | BRUSH CAP | | 2 | | | | |
| 250 | JM23000123 | CARBON BRUSH 2PCS/SET | | 1 | | | | |
| 251 | JM27000296 | BRUSH HOLDER | | 2 | * | | | |
| 253 | JM27000299 | CORD CLAMP | | 1 | | | | |
| 254 | JM27000361 | RUBBER RING | | 1 | | | | |
| 255 | JM27000301 | BEARING 6001-2Z | | 1 | * | | | |
| 255-1 | JM27000445 | BALL BEARING 6001RS | < | 1 | | | | |
| 256A_ | JM27000302 | STATOR ASSY 230V | | 1 | | | | |
| 257 | JM27000305 | TAPPING SCREW ST4.8X70 | | 2 | | | | |
| 258A_ | JM27000306 | ROTOR(230V) | | 1 | | | | |
| 259 | JM27000312 | BEARING 6201-2Z | | 1 | * | | | |
| 259-1 | JM27000446 | BALL BEARING 6201RS | < | 1 | | | | |
| 260 | JM27000313 | BAFFLE RING | | 1 | | | | |
| 261 | JM27000314 | GEAR BOX | | 1 | * | | | |
| 261-1 | JM27000423 | GEAR BOX | < | 1 | * | | | |
| 262 | JM27000316 | PAN HEAD SCREW M5X35 | | 4 | | | | |
| 263 | JM27000317 | FLAT HEAD SCREW M5X16 | | 3 | | | | |
| 264 | JM27000318 | BEARING BOX | | 1 | | | | |
| 265 | JM27000319 | BALL BEARING 6003RS | | 1 | | | | |
| 266 | JM27000320 | RETAINING RING R-35 | | 1 | | | | |
| 267 | JM27000321 | SPINDLE SHAFT 5/8" | | 1 | | | | |
| 268 | JM27000323 | KEY 5X6.5X16 | | 1 | | | | |
| 269 | JM27000324 | HELICAL GEAR 43 | | 1 | | | | |
| 270 | JM27000325 | RETAINING RING S-16 | | 1 | | | | |
| 271 | JM27000326 | BUSH | | 1 | * | | | |

Model No.MLT100 TABLE SAW 255MM

| Item | Parts No. | Description | I/C | Qty | New/Old | Opt. 1 | Opt. 2 | Note |
|-------|------------|--------------------------------|-----|-----|---------|--------|--------|------|
| 272 | JM27000327 | SLIDING TABLE BASE FIX PLATE | | 2 | | | | |
| 275 | JM27000330 | HOOK | | 1 | * | | | |
| 277 | JM27000332 | R-TYPE CABLE CLAMP | | 2 | | | | |
| 278 | JM27080019 | NAME PLATE | | 1 | | | | |
| 280A_ | JM27000333 | SCALE LABEL (METRIC) | | 1 | | | | |
| 281A_ | JM27000335 | SCALE LABEL EX-TABLE (METRIC) | | 1 | | | | |
| 283A_ | JM27000337 | SCALE LABEL | | 2 | * | | | |
| 283A1 | JM27000428 | SCALE LABEL SL-PIPE (METRIC) | X | 2 | | | | |
| 284 | JM27000339 | H.S.SET SCREW M6X20 WITH GLUE | | 2 | | | | |
| 285 | JM27000340 | BLADE GUARD | | 1 | | | | |
| 286 | JM27000341 | CROSS HEAD SELF TAPPING SCREW | | 4 | * | | | |
| 286-1 | JM27000114 | TAPPING SCREW ST2.9X10 | X | 4 | | | | |
| 287 | JM27080020 | WARNING LABEL | | 1 | | | | |
| 288 | JM27080060 | WARNING LABEL | | 1 | | | | |
| 291 | JM27000342 | CAPACITOR | | 1 | | | | |
| 309A_ | JM27000052 | UP BLADE GUARD ASSEMBLY (EU TY | | 1 | | | | |
| D10 | | INC. 49-60,122,285,286,288 | | | * | | | |
| D11 | | INC. 49-60,122,285,286,288,597 | | | | | | |
| 310A_ | JM27000076 | SUB FRONT RAIL ASSEMBLY (MMSCA | | 1 | | | | |
| D10 | | INC. 70,281 | | | | | | |
| 311A_ | JM27000080 | SLIDING BAR A ASSEMBLY (MMSCAL | | 1 | * | | | |
| D10 | | INC. 72,283 | | | * | | | |
| 311A1 | JM27000426 | SLIDING BAR A ASSEMBLY (MMSCAL | X | 1 | | | | |
| D10 | | INC. 72,283 | | | | | | |
| 312A_ | JM27000083 | FRONT RAIL ASSEMBLY (MMSCALE) | | 1 | | | | |
| D10 | | INC. 73,280 | | | | | | |
| 313A_ | JM27000100 | BLADE INNER LING 30.0 | | 1 | | | | |
| 314A_ | JM27000106 | CABINET | | 1 | | | | |
| 315A_ | JM27000127 | SWITCH ASSEMBLY 1 SWA SOO CAO | | 1 | | | | |
| D10 | | INC. 97-108,291,430,498 | | | | | | |
| 316A_ | JM27000202 | RIP FENCE ASSEMBLY | | 1 | | | | |
| D10 | | INC. 121,158-166,168-173,175, | | | * | | | |
| D11 | | INC. 121,158,162,169-173,175, | | | | | | |
| D20 | | INC. 176,418,435,458,484,500, | | | * | | | |
| D21 | | INC. 176,418,435,458,484,500, | | | | | | |
| D30 | | INC. 501,521 | | | * | | | |
| D31 | | INC. 501,565 | | | | | | |

Model No.MLT100 TABLE SAW 255MM

| Item | Parts No. | Description | I/C | Qty | New/Old | Opt. 1 | Opt. 2 | Note |
|-------|------------|------------------------------|-----|-----|---------|--------|--------|------|
| 317A_ | JM27000224 | MITER GAUGE ASSEMBLY | | 1 | | | | |
| D10 | | INC. 92,157,174,177-195,452, | | | * | | | |
| D11 | | INC. 92,174,177-195,452,483, | | | | | | |
| D20 | | INC. 483,485,523 | | | * | | | |
| D21 | | INC. 485,523,582 | | | | | | |
| 319 | JM27000298 | MOTOR HOUSE ASSEMBLY | | 1 | * | | | |
| D10 | | INC. 251 | | | * | | | |
| 319-1 | JM00000150 | MOTOR HOUSING ASSY | O | 1 | | | | |
| 320A_ | JM27000309 | ARMATURE ASSY 230V | | 1 | | | | |
| D10 | | INC. 254,255,258,259 | | | | | | |
| 321 | JM27000315 | GEAR BOX ASSEMBLY | | 1 | * | | | |
| D10 | | INC. 261,271 | | | * | | | |
| 321-1 | JM27000424 | GEAR BOX ASSEMBLY | < | 1 | | | | |
| D10 | | INC. 261,271 | | | * | | | |
| 322 | JM27000322 | OUTER SHAFT ASSEMBLY | | 1 | | | | |
| D10 | | INC. 264-270 | | | | | | |
| 411 | JM27000024 | FLAT WASHER 6 | | 12 | | | | |
| 412 | JM27000024 | FLAT WASHER 6 | | 12 | | | | |
| 413 | JM27000024 | FLAT WASHER 6 | | 2 | * | | | |
| 414 | JM27000024 | FLAT WASHER 6 | | 2 | | | | |
| 415 | JM27000024 | FLAT WASHER 6 | | 2 | | | | |
| 416 | JM27000024 | FLAT WASHER 6 | | 2 | | | | |
| 417 | JM27000024 | FLAT WASHER 6 | | 2 | | | | |
| 418 | JM27000024 | FLAT WASHER 6 | | 2 | | | | |
| 424 | JM27000004 | TAPPING SCREW ST3.9X12 | | 2 | | | | |
| 426 | JM27000004 | TAPPING SCREW ST3.9X12 | | 2 | * | | | |
| 426-1 | JM27000177 | TAPPING SCREW ST3.9X10 | X | 4 | | | | |
| 427 | JM27000004 | TAPPING SCREW ST3.9X12 | | 2 | | | | |
| 428 | JM27000004 | TAPPING SCREW ST3.9X12 | | 6 | | | | |
| 429 | JM27000004 | TAPPING SCREW ST3.9X12 | | 2 | | | | |
| 430 | JM27000004 | TAPPING SCREW ST3.9X12 | | 2 | | | | |
| 431 | JM27000004 | TAPPING SCREW ST3.9X12 | | 2 | | | | |
| 432 | JM27000009 | FLAT WASHER 4 | | 4 | | | | |
| 433 | JM27000009 | FLAT WASHER 4 | | 1 | * | | | |
| 433-1 | JM27000009 | FLAT WASHER 4 | O | 1 | | | | |
| 434 | JM27000009 | FLAT WASHER 4 | | 1 | * | | | |
| 434-1 | JM27000009 | FLAT WASHER 4 | O | 1 | | | | |
| 435 | JM27000009 | FLAT WASHER 4 | | 1 | | | | |
| 437 | JM27000009 | FLAT WASHER 4 | | 2 | | | | |
| 438 | JM27000009 | FLAT WASHER 4 | | 2 | | | | |
| 439 | JM27000009 | FLAT WASHER 4 | | 2 | | | | |
| 440 | JM27000009 | FLAT WASHER 4 | | 1 | | | | |

Model No.MLT100 TABLE SAW 255MM

| Item | Parts No. | Description | I/C | Qty | New/Old | Opt. 1 | Opt. 2 | Note |
|-------|------------|----------------------|-----|-----|---------|--------|--------|------|
| 441 | JM27000155 | FLAT WASHER 5 | | 2 | * | | | |
| 441-1 | JM27000155 | FLAT WASHER 5 | < | 4 | | | | |
| 442 | JM27000155 | FLAT WASHER 5 | | 2 | | | | |
| 443 | JM27000155 | FLAT WASHER 5 | | 1 | * | | | |
| 444 | JM27000155 | FLAT WASHER 5 | | 1 | | | | |
| 445 | JM27000155 | FLAT WASHER 5 | | 2 | * | | | |
| 446 | JM27000155 | FLAT WASHER 5 | | 4 | | | | |
| 447 | JM27000155 | FLAT WASHER 5 | | 2 | | | | |
| 448 | JM27000155 | FLAT WASHER 5 | | 2 | | | | |
| 449 | JM27000016 | PAN HEAD SCREW M6X10 | | 3 | | | | |
| 450 | JM27000033 | HEX BOLT M6X10 | | 3 | | | | |
| 451 | JM27000013 | SPRING WASHER 4 | | 4 | | | | |
| 452 | JM27000013 | SPRING WASHER 4 | | 1 | | | | |
| 453 | JM27000013 | SPRING WASHER 4 | | 2 | | | | |
| 454 | JM27000013 | SPRING WASHER 4 | | 2 | | | | |
| 455 | JM27000013 | SPRING WASHER 4 | | 1 | | | | |
| 457 | JM27000017 | SPRING WASHER 6 | | 3 | * | | | |
| 457-1 | JM27000024 | FLAT WASHER 6 | X | 3 | | | | |
| 458 | JM27000017 | SPRING WASHER 6 | | 2 | | | | |
| 459 | JM27000017 | SPRING WASHER 6 | | 2 | | | | |
| 460 | JM27000017 | SPRING WASHER 6 | | 2 | | | | |
| 461 | JM27000017 | SPRING WASHER 6 | | 2 | | | | |
| 462 | JM27000032 | HEX NUT M6 | | 1 | | | | |
| 463 | JM27000048 | SPRING WASHER 5 | | 2 | * | | | |
| 463-1 | JM27000048 | SPRING WASHER 5 | < | 4 | | | | |
| 464 | JM27000048 | SPRING WASHER 5 | | 2 | | | | |
| 465 | JM27000048 | SPRING WASHER 5 | | 1 | * | | | |
| 466 | JM27000048 | SPRING WASHER 5 | | 4 | | | | |
| 467 | JM27000048 | SPRING WASHER 5 | | 2 | * | | | |
| 468 | JM27000042 | PAN HEAD SCREW M5X10 | | 2 | | | | |
| 469 | JM27000042 | PAN HEAD SCREW M5X10 | | 2 | | | | |
| 470 | JM27000042 | PAN HEAD SCREW M5X10 | | 2 | | | | |
| 471 | JM27000042 | PAN HEAD SCREW M5X10 | | 2 | * | | | |
| 471-1 | JM27000042 | PAN HEAD SCREW M5X10 | O | 1 | | | | |
| 472 | JM27000042 | PAN HEAD SCREW M5X10 | | 1 | | | | |
| 473 | JM27000109 | WASHER 4 (L) | | 2 | | | | |
| 474 | JM27000109 | WASHER 4 (L) | | 6 | | | | |
| 475 | JM27000109 | WASHER 4 (L) | | 2 | | | | |
| 476 | JM27000109 | WASHER 4 (L) | | 1 | | | | |
| 477 | JM27000011 | PAN HEAD SCREW M4X12 | | 4 | | | | |
| 478 | JM27000011 | PAN HEAD SCREW M4X12 | | 1 | | | | |
| 479 | JM27000011 | PAN HEAD SCREW M4X12 | | 1 | | | | |

Model No.MLT100 TABLE SAW 255MM

| Item | Parts No. | Description | I/C | Qty | New/Old | Opt. 1 | Opt. 2 | Note |
|-------|------------|----------------------------------|-----|-----|---------|--------|--------|------|
| 480 | JM27000011 | PAN HEAD SCREW M4X12 | | 2 | | | | |
| 481 | JM27000047 | WASHER 5 (L) | | 6 | | | | |
| 482 | JM27000047 | WASHER 5 (L) | | 2 | | | | |
| 483 | JM27000066 | FLAT HEAD SCREW M4X8 | | 2 | | | | |
| 484 | JM27000066 | FLAT HEAD SCREW M4X8 | | 1 | | | | |
| 485 | JM27000027 | PAN HEAD SCREW M4X10 | | 1 | | | | |
| 486 | JM27000027 | PAN HEAD SCREW M4X10 | | 2 | | | | |
| 487 | JM27000027 | PAN HEAD SCREW M4X10 | | 2 | | | | |
| 488 | JM27000027 | PAN HEAD SCREW M4X10 | | 1 | | | | |
| 489 | JM27000037 | TAPPING SCREW ST3.9X8 | | 3 | | | | |
| 490 | JM27000149 | HEX SOCKET HEAD BOLT M6X20 | | 2 | | | | |
| 491 | JM27000149 | HEX SOCKET HEAD BOLT M6X20 | | 2 | | | | |
| 492 | JM27000070 | HEX NUT M8 | | 2 | | | | |
| 493 | JM27000071 | SPRING WASHER 8 | | 2 | | | | |
| 494 | JM27000072 | FLAT WASHER 8 | | 2 | | | | |
| 495 | JM27000073 | SQUARE NECK BOLT M8X25 | | 2 | | | | |
| 496 | JM27000038 | PAN HEAD SCREW M6X16 | | 2 | | | | |
| 497 | JM27000043 | KNOB BOLT M6X20 | | 2 | | | | |
| 498 | JM27000114 | TAPPING SCREW ST2.9X10 | | 2 | | | | |
| 500 | JM27000203 | THUMB NUT M6 | | 2 | | | | |
| 501 | JM27000211 | WASHER 6 (L) | | 2 | | | | |
| 504 | JM27000051 | HEX LOCK NUT M6 | | 2 | * | | | |
| 504-1 | JM27000032 | HEX NUT M6 | X | 2 | | | | |
| 505 | JM27000005 | GRIP (OUTSIDE) | | 1 | * | | | |
| 505-1 | JM27000006 | GRIP (INSIDE) | X | 1 | | | | |
| 506 | JM27000006 | GRIP (INSIDE) | | 1 | * | | | |
| 506-1 | JM27000005 | GRIP (OUTSIDE) | X | 1 | | | | |
| 507 | JM27000007 | HEX LOCK NUT M4 | | 1 | | | | |
| 508 | JM27000010 | SLIDE TABLE STOPPER | | 1 | | | | |
| 509 | JM27000018 | RACK FOR SLIDE TABLE | | 1 | | | | |
| 510 | JM27000039 | FIX BRACKET FOR BLADE CASE | | 1 | | | | |
| 511 | JM27000064 | FLAT WASHER 10 | | 1 | | | | |
| 514 | JM27000074 | FRONT RAIL END CAP RIGHT | | 1 | | | | |
| 515 | JM27000078 | FRONT RAIL END CAP LEFT | | 1 | | | | |
| 516 | JM27000152 | RETAINER PLATE FOR BLADE CASE | | 1 | | | | |
| 517 | JM27000159 | KEY 4X8 | | 1 | | | | |
| 518 | JM27000162 | BEVEL GEAR FOR BLADE LIFTING | | 1 | | | | |
| 519 | JM27000163 | RETAINING RING S-10 | | 1 | | | | |
| 520 | JM27000167 | PAN HEAD SCREW M5X12 | | 1 | | | | |
| 521 | JM27000185 | COVER | | 1 | * | | | |

Model No.MLT100 TABLE SAW 255MM

| Item | Parts No. | Description | I/C | Qty | New/Old | Opt. 1 | Opt. 2 | Note |
|------|------------|---------------------------|-----|-----|---------|--------|--------|------|
| 523 | JM27000210 | THUMB SCREW M6X13 | | 1 | | | | |
| 524 | JM27000036 | SLIDING TABLE COVER | | 1 | | | | |
| 565 | JM00000148 | RIP FENCE BRACKET ASSY | | 1 | | | | |
| D10 | | INC. 159-161,163-166,168, | | | | | | |
| D20 | | INC. 567,568 | | | | | | |
| 567 | JM27000024 | FLAT WASHER 6 | | 1 | | | | |
| 568 | JM27000024 | FLAT WASHER 6 | | 1 | | | | |
| 569 | JM00000149 | SLIDE RAIL ASSY | S | 1 | | | | |
| 570 | JM00000154 | WAVE WASHER 4 | | 1 | | | | |
| 571 | JM00000154 | WAVE WASHER 4 | | 1 | | | | |
| 572 | JM00000135 | HEX NUT M10 | | 1 | | | | |
| 573 | JM27000003 | FLAT WASHER 10 | | 1 | | | | |
| 574 | JM27000009 | FLAT WASHER 4 | | 2 | | | | |
| 575 | JM27000013 | SPRING WASHER 4 | | 2 | | | | |
| 577 | JM27000009 | FLAT WASHER 4 | | 2 | | | | |
| 578 | JM00000156 | VINYL TUBE | | 1 | | | | |
| 580 | JM27000017 | SPRING WASHER 6 | | 2 | | | | |
| 581 | JM27000017 | SPRING WASHER 6 | | 2 | | | | |
| 582 | JM27000024 | FLAT WASHER 6 | | 1 | | | | |
| 583 | JM27000032 | HEX NUT M6 | | 3 | | | | |
| 584 | JM27000155 | FLAT WASHER 5 | | 2 | | | | |
| 585 | JM27000048 | SPRING WASHER 5 | | 2 | | | | |
| 586 | JM27000155 | FLAT WASHER 5 | | 2 | | | | |
| 587 | JM27000048 | SPRING WASHER 5 | | 2 | | | | |
| 588 | JM00000155 | CORD CLAMP | | 1 | | | | |
| 589 | JM27000183 | HEX LOCK NUT M5 | | 3 | | | | |
| 590 | JM27000317 | FLAT HEAD SCREW M5X16 | | 3 | | | | |
| 592 | JM27000453 | O-RING 2.5X1.5 | | 6 | | | | |
| 593 | JM00000152 | CRANK FOR BLADE LIFTING | | 1 | | | | |
| 594 | JM00000151 | HEX NUT M5 | | 1 | | | | |
| 595 | JM00000153 | GRIP FOR BLADE LIFTING | | 1 | | | | |
| 596 | JM27000155 | FLAT WASHER 5 | | 1 | | | | |
| 597 | JM27080108 | CAUTION LABEL | | 1 | | | | |
| 598 | JM00000157 | GROMMET | | 1 | | | | |
| 599 | JM00000134 | FERRITE RING | | 1 | | | | |
| A01 | JM27000086 | PUSH STICK | | 1 | | | | |
| A02 | JM27000087 | WRENCH 24 | | 2 | | | | |
| A03 | JM27000328 | TRIANGLE PLATE | | 1 | | | | |
| A04 | JM27000329 | HEX WRENCH 6 | | 1 | | | | |
| A05 | JM27000097 | SAW BLADE 260X30 | | 1 | | | | |

Please order the parts with part number.

Print Date 31/3/2020