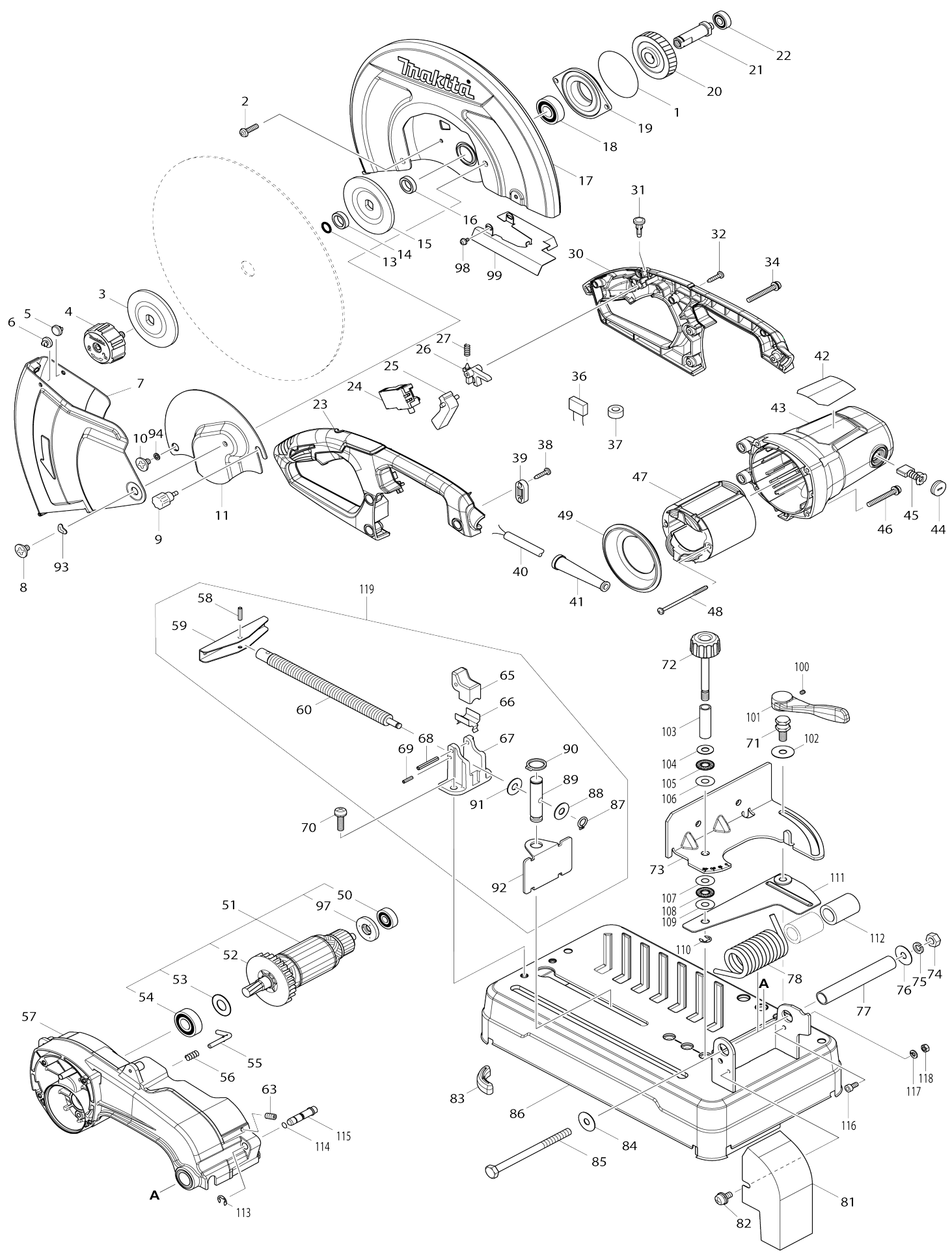


# Model No.LW1400 355MM PORTABLE CUT-OFF



Model No.LW1400 355MM PORTABLE CUT-OFF

Item No.	Parts No.	Description	Interchangability	Q'ty	New/Old	Note1	Note2
001	213858-0	O-RING 65		1			
002	265122-5	PAN HEAD SCREW M5X20		4			
003	224456-5	FLANGE 90		1			
004	123478-1	TOOLLESSBOLT ASSEMBLY		1			
005	418142-0	PLUG		1			
006	418142-0	PLUG		1			
007	161401-8	SAFETY GUIDE		1			
008	265121-7	+ FLAT HEAD SCREW M6		1			
009	251488-9	THUMB SCREW M6X12		1			
010	265121-7	+ FLAT HEAD SCREW M6		1			
011	346968-9	CENTER COVER		1	*		
011-1	347095-5	CENTER COVER	<	1			
013	213180-5	O RING 14		1			
014	257255-0	RING 17		1			
015	224456-5	FLANGE 90		1			
016	257255-0	RING 17		1			
017	161400-0	SAFETY COVER		1			
018	211282-1	BALL BEARING 6203ZZ		1			
019	319393-7	BEARING BOX		1	*		
019-1	136029-1	BEARING BOX ASSY	<	1			
D10		INC. 1					
020	227811-0	HELICAL GEAR 50		1			
021	324321-9	SPINDLE		1			
022	210067-2	BALL BEARING 6000ZZ		1	*		
022-1	210199-5	BALL BEARING 6000ZZ	O	1			
023	183C14-3	HANDLE SET		1			
D10		INC. 30					
024	650716-3	SWITCH TGC31B		1			
025	418140-4	SWITCH LEVER		1			
026	418139-9	SWITCH LOCK		1			
027	231397-8	COMPRESSION SPRING 4		1			
030	183C14-3	HANDLE SET		1			
D10		INC. 23					
031	411478-6	SWITCH BUTTON		1	*		
031-1	417113-4	SWITCH BUTTON	<	1			
032	266326-2	TAPPING SCREW 4X18		4			
034	265104-7	PAN HEAD SCREW M5X40		3			
036	645190-8	NOISE SUPPRESSOR		1			
037	688163-8	LINE FILTER		1			
038	266326-2	TAPPING SCREW 4X18		2			
039	687124-5	STRAIN RELIEF		1			
040	665872-6	POWER SUPPLY CORD 1.0-2-3.0		1			
041	682540-6	CORD GUARD 9.3-90		1			
042	851534-8	LW1400 NAME PLATE		1			
043	143463-8	MOTOR HOUSING COMPLETE		1			
C10	643712-8	BRUSH HOLDER		2			
044	643700-5	BRUSH HOLDER CAP 7-18		2			

045	191953-5	CARBON BRUSH CB-203		1	*		
045-1	194991-6	CARBON BRUSH SET CB203	O	1			
046	265104-7	PAN HEAD SCREW M5X40		4			
047	593908-0	FIELD ASS'Y 220V		1			
C10	654197-3	RING TERMINAL		2			
C20	654502-4	CONNECTOR P-2		2			
048	265A13-6	TAPPING SCREW 5X85		2			
049	418143-8	BAFFLE PLATE		1			
050	210070-3	BALL BEARING 6200ZZ		1			
051	513463-6	ARMATURE ASS'Y 220-240V		1			
D10		INC. 50,52-54,97					
052	240164-0	FAN 80		1			
053	267714-6	WASHER 15		1			
054	211240-7	BALL BEARING 6202ZZ		1			
055	324322-7	STOPPER		1			
056	233372-0	COMPRESSION SPRING 7		1			
057	143464-6	GEAR HOUSING COMPLETE		1	*		
C10	263029-9	RUBBER PIN 6		1	*		
057-1	143464-6	GEAR HOUSING COMPLETE	S	1	*		
C10	263029-9	RUBBER PIN 6		1	*		
057-2	140G83-1	GEAR HOUSING COMPLETE	<	1	*		
C10	263029-9	RUBBER PIN 6		1	*		
057-3	140D69-7	GEAR HOUSING COMPLETE	O	1			
C10	263029-9	RUBBER PIN 6		1			
058	951163-4	SPRING PIN 5-20		1			
059	272027-2	HANDLE 120		1			
060	324323-5	WISE SCREW		1	*		
060-1	326802-9	WISE SCREW	O	1			
063	266321-2	H.S.SET SCREW(FLAT POINT)M6X 16		1			
065	313114-9	WISE NUT		1			
066	345311-9	PLATE		1			
067	317662-0	SCREW GUIDE		1			
068	951175-7	SPRING PIN 5-36		1			
069	951110-5	SPRING PIN 4-16		1			
070	265125-9	PAN HEAD SCREW M8X30		2			
071	266996-7	COLLAR BOLT M10X20		1			
072	271331-6	KNOB 40		1			
073	346970-2	GUIDE PLATE		1	*		
073-1	347280-0	GUIDE PLATE	<	1			
074	931503-2	HEX. NUT M10		1	*		
074-1	252183-4	HEX.NUT M10-17	<	1			
075	942251-8	SPRING WASHER 10		1			
076	253197-6	FLAT WASHER 10		1			
077	331648-0	PIPE 20-128		1			
078	233633-8	TORSION SPRING 33		1			
081	161399-9	SPARK GUARD		1			
082	265144-5	PAN HEAD SCREW M6X12		1			
083	421834-2	CUSHION		3			
084	253197-6	FLAT WASHER 10		1			
085	265509-1	HEX.BOLT M10X140		1			
086	161432-7	BASE		1			

087	961004-6	RETAINING RING (EXT) S-8		1		
088	267257-8	FLAT WASHER 8		1		
089	256545-8	PIN 16		1		
090	961056-7	RETAINING RING S-16		1		
091	267257-8	FLAT WASHER 8		1		
092	346636-4	WISE PLATE		1	*	
092-1	347277-9	WISE PLATE	<	1		
093	253903-9	WAVE WASHER 6		1		
094	941152-7	FLAT WASHER 6		1		
097	681630-2	INSULATION WASHER		1		
098	911103-4	PAN HEAD SCREW M4X6		2		
099	346971-0	SPARK COVER		1	*	
099-1	347275-3	SPARK COVER	<	1		
100	266264-8	H.S.SET SCREW(FLAT POINT)M5X6		1		
101	272286-8	LEVER 125		1		
102	253197-6	FLAT WASHER 10		1		
103	257389-9	SLEEVE 11		1		
104	253180-3	FLAT WASHER 10		1		
105	216413-7	THRUST NEEDLE CAGE 1024		1		
106	253353-8	THIN WASHER 10		1		
107	253353-8	THIN WASHER 10		1		
108	216413-7	THRUST NEEDLE CAGE 1024		1		
109	253353-8	THIN WASHER 10		1		
110	961014-3	STOP RING E-8		1		
111	161402-6	GUIDE BASE		1		
112	257390-4	SLEEVE 20		2	*	
112-1	257413-8	SLEEVE 20	O	2		
113	961014-3	STOP RING E-8		1		
114	213011-8	O RING 7		1		
115	326624-7	STOPPER PIN		1		
116	922311-2	HEX. SOCKET HEAD BOLT M6X12		1	*	
116-1	922312-0	HEX. SOCKET HEAD BOLT M6X12	S	1		
117	942151-2	SPRING WASHER 6		1	*	
117-1	253428-3	SPRING WASHER 6	O	1		
118	931302-2	HEX. NUT M6		1		
119	135708-8	WISE ASS'Y		1		
D10		INC. 58-60,65-69,87-92				
A01	B-19881	14"CUT-OFF WHEEL		1	*	
A01-1	B-19881	14"CUT-OFF WHEEL	O	1		

Please state Parts No. when your order.

Print Date 01/29/2024