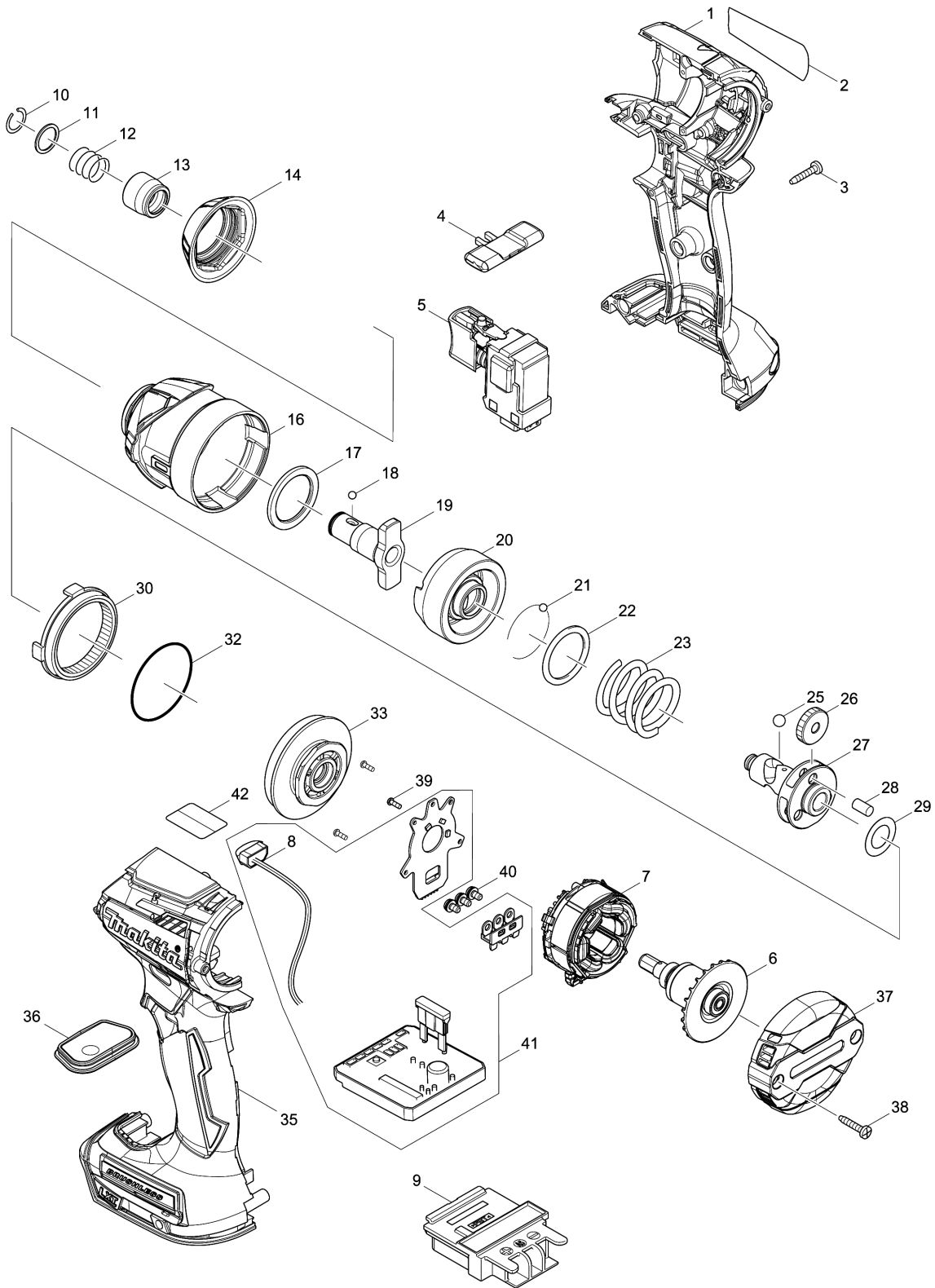


Model No.DTD154 CORDLESS IMPACT DRIVER



Model No.DTD154 CORDLESS IMPACT DRIVER

Item	Parts No.	Description	I/C	Qty	New/Old	Opt. 1	Opt. 2	Note
001	183E36-5	HOUSING SET		1				
C10	263005-3	RUBBER PIN 6		2				
C20	252126-6	HEX. LOCK NUT M4-7		2				
D10		INC. 35						
002	852L16-1	DTD154 NAME PLATE		1	*			
002-1	857J30-0	DTD154 NAME PLATE	S	1				
003A	266429-2	TAPPING SCREW 3X16		8	*			
003B	266429-2	TAPPING SCREW 3X16		8				
003C	266429-2	TAPPING SCREW 3X16		8	*			
003-1A	266130-9	TAPPING SCREW BIND PT 3X16	O	8				
003-1C	266130-9	TAPPING SCREW BIND PT 3X16	O	8				
004	455053-8	F/R CHANGE LEVER		1				
005	143975-1	SWITCH COMPLETE		1				
006	619408-3	ROTOR		1				
007	629217-2	STATOR		1				
008	620557-1	LED CIRCUIT		1				
009	643860-3	TERMINAL		1				
010	231951-8	RING SPRING 11		1				
011	267085-1	FLAT WASHER 12		1				
012	233005-7	COMPRESSION SPRING 13		1				
013	326072-0	BIT SLEEVE		1				
014	424873-1	BUMPER		1				
016	143951-5	HAMMER CASE COMPLETE		1				
017	261155-8	NYLON WASHER 24		1				
018	216001-0	STEEL BALL 3.5		2				
019	326508-9	ANVIL M		1				
020	326711-2	HAMMER		1	*			
020-1	327155-9	HAMMER	O	1				
021	216001-0	STEEL BALL 3.5		24				
022	267175-0	FLAT WASHER 24		1				
023	234331-7	COMPRESSION SPRING 24		1				
025	216041-8	STEEL BALL 5.6		2				
026	227338-0	SPUR GEAR 22		3				
027	326783-7	SPINDLE		1				
028	268311-1	PIN 5		3				
029	253314-8	THIN WASHER 15		1				
030	221457-4	INTERNAL GEAR 51		1				
032	213507-9	O RING 40		1				
033	143976-9	BEARING BOX COMPLETE		1				
035	183E36-5	HOUSING SET		1				
C10	263005-3	RUBBER PIN 6		2				

Model No.DTD154 CORDLESS IMPACT DRIVER

Item	Parts No.	Description	I/C	Qty	New/Old	Opt. 1	Opt. 2	Note
C20	252126-6	HEX. LOCK NUT M4-7		2				
D10		INC. 1						
036	143954-9	SWITCH PLATE COMPLETE		1				
037	457069-9	REAR COVER		1				
038A	266429-2	TAPPING SCREW 3X16		2	*			
038B	266429-2	TAPPING SCREW 3X16		2				
038C	266429-2	TAPPING SCREW 3X16		2	*			
038-1A	266130-9	TAPPING SCREW BIND PT 3X16	O	2				
038-1C	266130-9	TAPPING SCREW BIND PT 3X16	O	2				
039	266490-9	TAPPING SCREW PT 2X6		3				
040	652069-6	FLAT HEAD SCREW M3X6		3				
041	620564-4	CONTROLLER		1				
D10		INC. 8						
043	857J31-8	DTD154 SERIAL NO. LABEL	S	1				
A01	266622-8	+ TRUSS HEAD SCREW M4X12		1				
A02	346317-0	HOOK		1				
A03B	450128-8	BATTERY COVER		1				
A03C	450128-8	BATTERY COVER		1				
A04B	***DC18RC	DC18RC FAST CHARGER		1				
D10		COMPO-PARTS						
A04C	***DC18RC	DC18RC FAST CHARGER		1				
D10		COMPO-PARTS						
A05B	197600-6	BATTERY BL1830B SET		2	*			
A05C	197280-8	BATTERY BL1850B SET		2	*			
A05-1B	197600-6	BATTERY BL1830B SET	O	2				
A05-1C	197280-8	BATTERY BL1850B SET	O	2				
A06B	821550-0	CONNECTOR PLASTIC CASE (TYPE2)		1				
C10	453974-8	LATCH		4				
A06C	821550-0	CONNECTOR PLASTIC CASE (TYPE2)		1				
C10	453974-8	LATCH		4				
A07B	837670-0	INNER TRAY		1				
A07C	837670-0	INNER TRAY		1				
A08B	809W25-7	DTD154RFJ INDICATION LABEL		1				
A08C	809W30-4	DTD154RTJ INDICATION LABEL		1				
A09B	809W26-5	DTD154RFJ PLASTIC CASE LABEL		2	*			
A09C	809W31-2	DTD154RTJ PLASTIC CASE LABEL		2	*			
A09-1B	809W29-9	DTD154RFJ PLASTIC CASE LABEL	O	2				
A09-1C	809W33-8	DTD154RTJ PLASTIC CASE LABEL	O	2				

Please order the parts with part number.

Print Date 27/3/2020