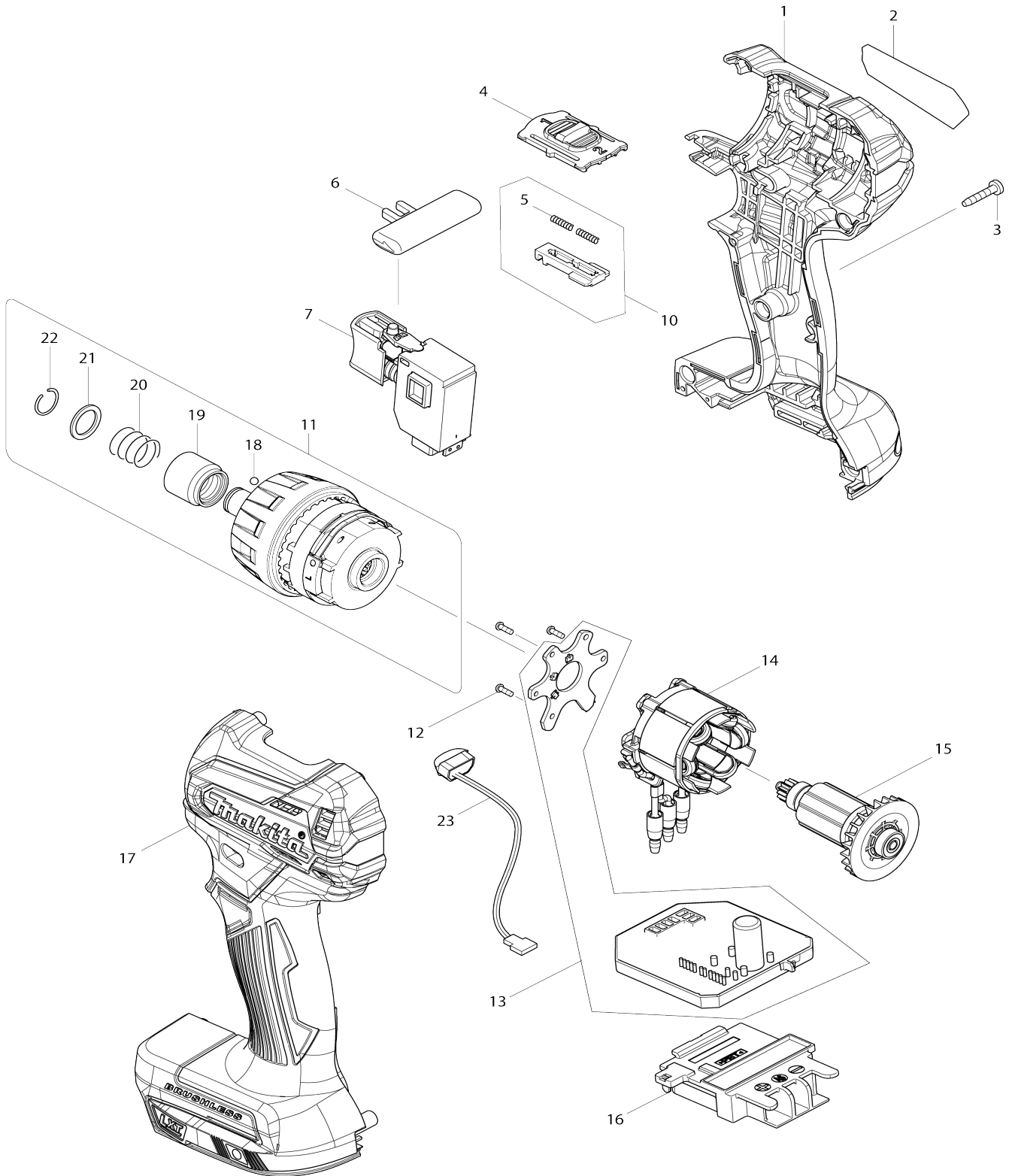


# Model No.DDF083 CORDLESS DRIVER DRILL



Model No.DDF083 CORDLESS DRIVER DRILL

Item No.	Parts No.	Description	Interchangeability	Q'ty	New/Old	Note1	Note2
001	183E19-5	HOUSING SET		1			
C10	263005-3	RUBBER PIN 6		2			
C20	252126-6	HEX. LOCK NUT M4-7		2			
D10		INC. 17					
002	852M58-1	DDF083 NAME PLATE		1			
003	266429-2	TAPPING SCREW 3X16		8			
004	457020-9	SPEED CHANGE LEVER		1	*		
004-1	458382-8	SPEED CHANGE LEVER	<	1			
005	233025-1	COMPRESSION SPRING 2		2			
006	419041-9	F/R CHANGE LEVER		1			
007	650689-0	SWITCH C3JW-2B		1			
010	123587-6	CHANGE LEVER ASS'Y		1			
D10		INC. 5					
011	123869-6	GEAR ASSEMBLY N		1	*		
D10		INC. 18-22					
011-1	127599-1	GEAR ASSEMBLY M	<	1	*		
D10		INC. 18-22					
011-2	127599-1	GEAR ASSEMBLY M	O	1			
D10		INC. 18-22					
012	266490-9	TAPPING SCREW PT 2X6		3			
013	620555-5	CONTROLLER		1			
014	629228-7	STATOR		1			
015	619410-6	ROTOR		1	*		
015-1	619410-6	ROTOR	O	1			
016	643874-2	TERMINAL		1			
017	183E19-5	HOUSING SET		1			
C10	263005-3	RUBBER PIN 6		2			
C20	252126-6	HEX. LOCK NUT M4-7		2			
D10		INC. 1					
018	216019-1	STEEL BALL 3		2			
019	326677-6	BIT SLEEVE		1			
020	233005-7	COMPRESSION SPRING 13		1			
021	347004-4	BIT WASHER		1			
022	231965-7	RING SPRING 10		1			
023	620549-0	LED CIRCUIT		1			
A01	251314-2	+ SCREW M4X12		1			
A02	346317-0	HOOK		1			
A03	784244-7	+ BIT 2-50		1			
A04	821550-0	CONNECTOR PLASTIC CASE (TYPE2)		1			
C10	453974-8	LATCH		4			
A05	450128-8	BATTERY COVER		1			
A06	***DC18RC	DC18RC FAST CHARGER		1			
D10		COMPO-PARTS					
A07	197600-6	BATTERY BL1830B SET		2	*		
A07-1	197600-6	BATTERY BL1830B SET	O	2			
A08	837670-0	INNER TRAY		1			
A09	810C60-0	DDF083RFJ INDICATION LABEL		1			

A10	810C61-8	DDF083RFJ PLASTIC CASE LABEL		2	*		
A10-1	810C64-2	DDF083RFJ PLASTIC CASE LABEL	O	2			
A07	197280-8	BATTERY BL1850B SET		2	*		
A07-1	197280-8	BATTERY BL1850B SET	O	2			
A09	810C66-8	DDF083RTJ INDICATION LABEL		1			
A10	810C67-6	DDF083RTJ PLASTIC CASE LABEL		2	*		
A10-1	810C70-7	DDF083RTJ PLASTIC CASE LABEL	O	2			

Please state Parts No. when your order.

Print Date 10/19/2023