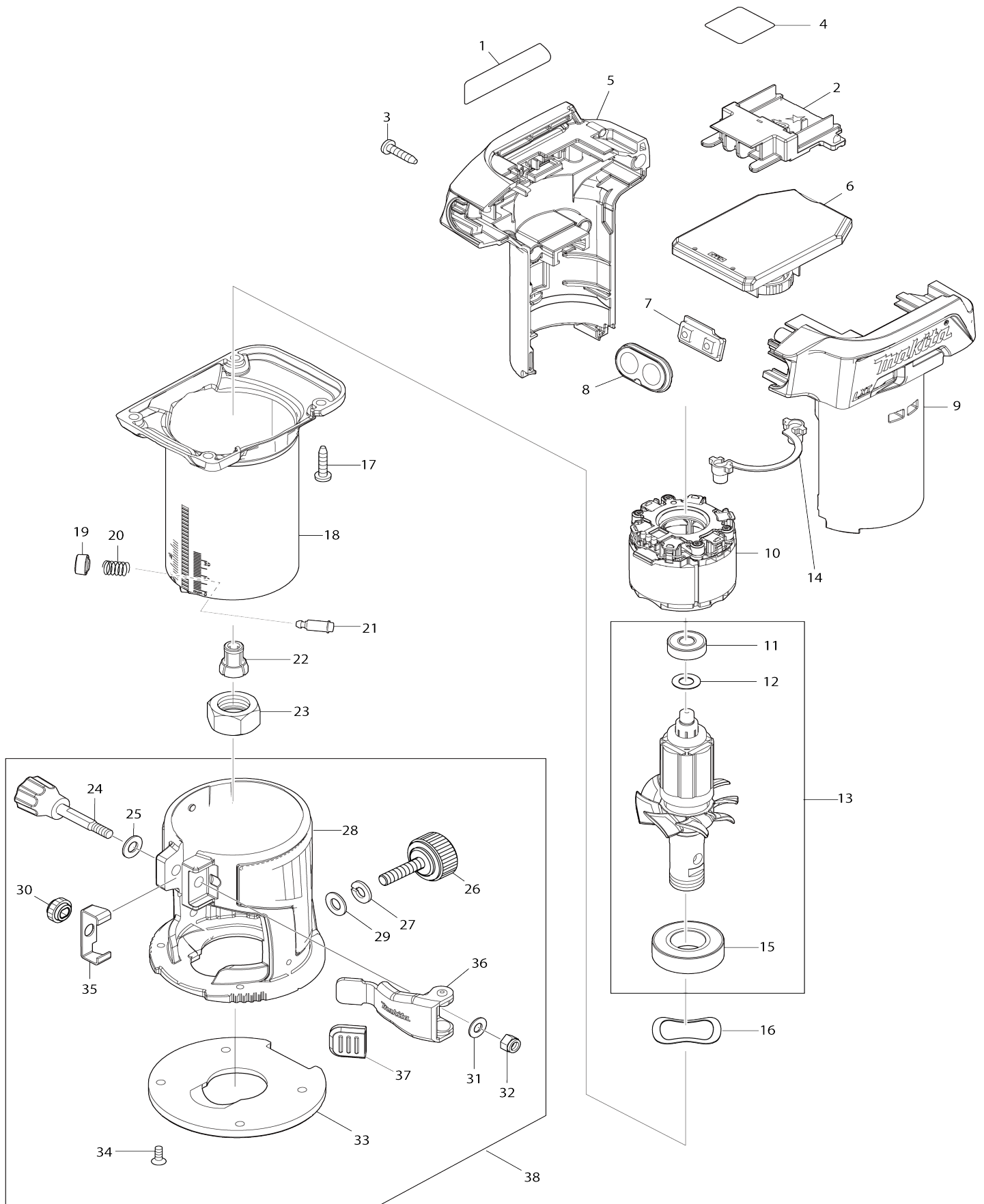


Model No.DRT50 CORDLESS TRIMMER



Model No.DRT50 CORDLESS TRIMMER

Item No.	Parts No.	Description	Interchangeability	Q'ty	New/Old	Note1	Note2
001	853N00-1	DRT50 NAME PLATE		1			
002	643874-2	TERMINAL		1			
003	266326-2	TAPPING SCREW 4X18		4	*		
003-1	265B67-9	TAPPING SCREW 4X18	O	4			
004	853N19-0	DRT50 SERIAL NO. LABEL		1			
005	183G76-5	HOUSING SET		1			
C10	263005-3	RUBBER PIN 6		2			
D10		INC. 9					
006	620720-6	CONTROLLER A		1	*		
006-1	620F52-7	CONTROLLER A	<	1	*		
006-2	620L08-6	CONTROLLER A	S	1			
007	632K92-3	SWITCH UNIT		1			
008	144662-5	SWITCH PLATE COMPLETE		1			
009	183G76-5	HOUSING SET		1			
C10	263005-3	RUBBER PIN 6		2			
D10		INC. 5					
010	629280-5	STATOR		1	*		
010-1	629B72-4	STATOR	S	1			
011	210017-7	BALL BEARING 607DDW		1	*		
011-1	210307-8	BALL BEARING 607DDW	O	1			
012	253186-1	FLAT WASHER 7		1			
013	519449-8	ROTOR ASSY		1			
D10		INC. 11,12,15					
014	620721-4	LED CIRCUIT		1			
015	210301-0	BALL BEARING 6003DDW		1			
016	253906-3	WAVE WASHER 26		1			
017	266326-2	TAPPING SCREW 4X18		4	*		
017-1	265B67-9	TAPPING SCREW 4X18	O	4			
018	144661-7	OUTER HOUSING COMPLETE		1	*		
018-1	144661-7	OUTER HOUSING COMPLETE	O	1			
019	452468-0	PUSH BUTTON		1			
020	233127-3	COMPRESSION SPRING 7		1			
021	256437-1	PIN 4		1			
022	763636-3	COLLET CONE 6MM		1			
023	763615-1	COLLET NUT		1			
024	265792-0	THUMB SCREW M5X35		1			
025	941151-9	FLAT WASHER 6		1			
026	265763-7	THUMB SCREW M6X25		1			
027	942151-2	SPRING WASHER 6		1	*		
027-1	253428-3	SPRING WASHER 6	O	1			
028	142403-3	TRIMMER BASE COMPLETE		1			
029	941151-9	FLAT WASHER 6		1			
030	227262-7	SPUR GEAR 16		1			
031	941101-4	FLAT WASHER 5		1			
032	252103-8	HEX. LOCK NUT M5-8		1			
033	454842-8	BASE PROTECTOR		1			
034	912112-6	COUNTERSUNK HEAD SCREW M4 X10		4			

035	346392-6	CAM PLATE		1		
036	163524-8	LOCK LEVER COMPLETE		1		
037	424396-9	RUBBER CAP		1		
038	196612-6	TRIMMER BASE SET		1	*	
D10		INC. 24-37				
038-1	196613-4	TRIMMER BASE SET	<	1		
D10		INC. 24-37				
039	620L09-4	CONTROLLER B	S	1		
040	652119-7	PAN HEAD SCREW M2X6	S	6		
A01	122965-7	STRAIGHT GUIDE ASSEMBLY		1		
C10	252649-4	THUMB NUT M6		1		
C20	266339-3	CAP SQUARE NECK BOLT M6X20		1		
C30	346382-9	GUIDE PLATE		1		
A02	195559-1	DUST NOZZLE SET		1		
C10	265774-2	THUMB SCREW M4X19		1		
A03	343577-5	TEMPLET GUIDE 10		1		
A04	763618-5	COLLET CONE 8MM		1		
A05	781011-1	WRENCH 22		1		
A06	781039-9	WRENCH 13		1		
F25	194367-7	GUIDE RAIL 3000 SET		1		
F26	194368-5	GUIDE RAIL 1400 SET		1		
F28	194416-0	SHEET 10000 SET		1		
F29	194417-8	RUBBER SHEET 10000 SET		1		
F30	194418-6	POSITION SHEET 1400 SET		1		
F34	194910-2	POSITION SHEET 1900 SET		1		
F36	194925-9	GUIDE RAIL 1900 SET		1		
F39	195136-9	STRAIGHT GUIDE SET		1		
F40	195137-7	ROD 8 SET		1		
F59	196615-0	TRIMMER BASE SET (12PCS)		1		
F60	196664-7	BEVEL GUIDE SET		1		
G08	199140-0	GUIDE RAIL 1000 SET		1		
G09	199141-8	GUIDE RAIL 1500 SET		1		
G11	191R13-1	GUIDE RAIL ADAPTER SET		1		
A07	821552-6	CONNECTOR PLASTIC CASE (TYP E4)		1		
C10	453974-8	LATCH		4		
A08	813K37-2	DRT50ZJX5 INDICATION LABEL		1		
A09	813K38-0	DRT50ZJX5 PLASTIC CASE LABEL		2		
A10	837247-1	TRAY		1		
A11	122703-7	TRIMMER GUIDE ASS'Y		1		
C10	251471-6	- FLAT HEAD SCREW M5		1		
C20	265135-6	+ COUNTERSUNK HEAD SCREW M4X10		1		
C30	265763-7	THUMB SCREW M6X25		1		
C40	265764-5	THUMB SCREW M6		1		
C50	317788-8	GUIDE HOLDER		1		
C60	324378-0	ROLLER 11		1		
C70	341136-9	HOOK		1		
C80	941151-9	FLAT WASHER 6		1		
A12	195563-0	PLUNGE BASE SET		1		
A13	195561-4	TILT BASE SET		1	*	
D10		COMBO-PARTS				

A13-1	198985-3	TILT BASE SET	<	1	*		
A13-2	198987-9	TILT BASE SET	<	1			
A14	153489-2	GRIP 36 COMPLETE		1			
A15	195564-8	GUIDE HOLDER SET		1			
C10	252649-4	THUMB NUT M6		1			
C20	256850-3	ROD 8		2			
C30	266339-3	CAP SQUARE NECK BOLT M6X20		1			
A16	194733-8	DUST NOZZLE SET		1			
C10	213022-3	O RING 3		2	*		
C11	213A67-7	O-RING 3	O	2			
C20	265774-2	THUMB SCREW M4X19		1			
A17	344364-5	TEMPLET GUIDE 16		1			
A19	D-30209	ROUTER BIT 3PCS/SET MM		1			

Please state Parts No. when your order.

Print Date 16/10/2023