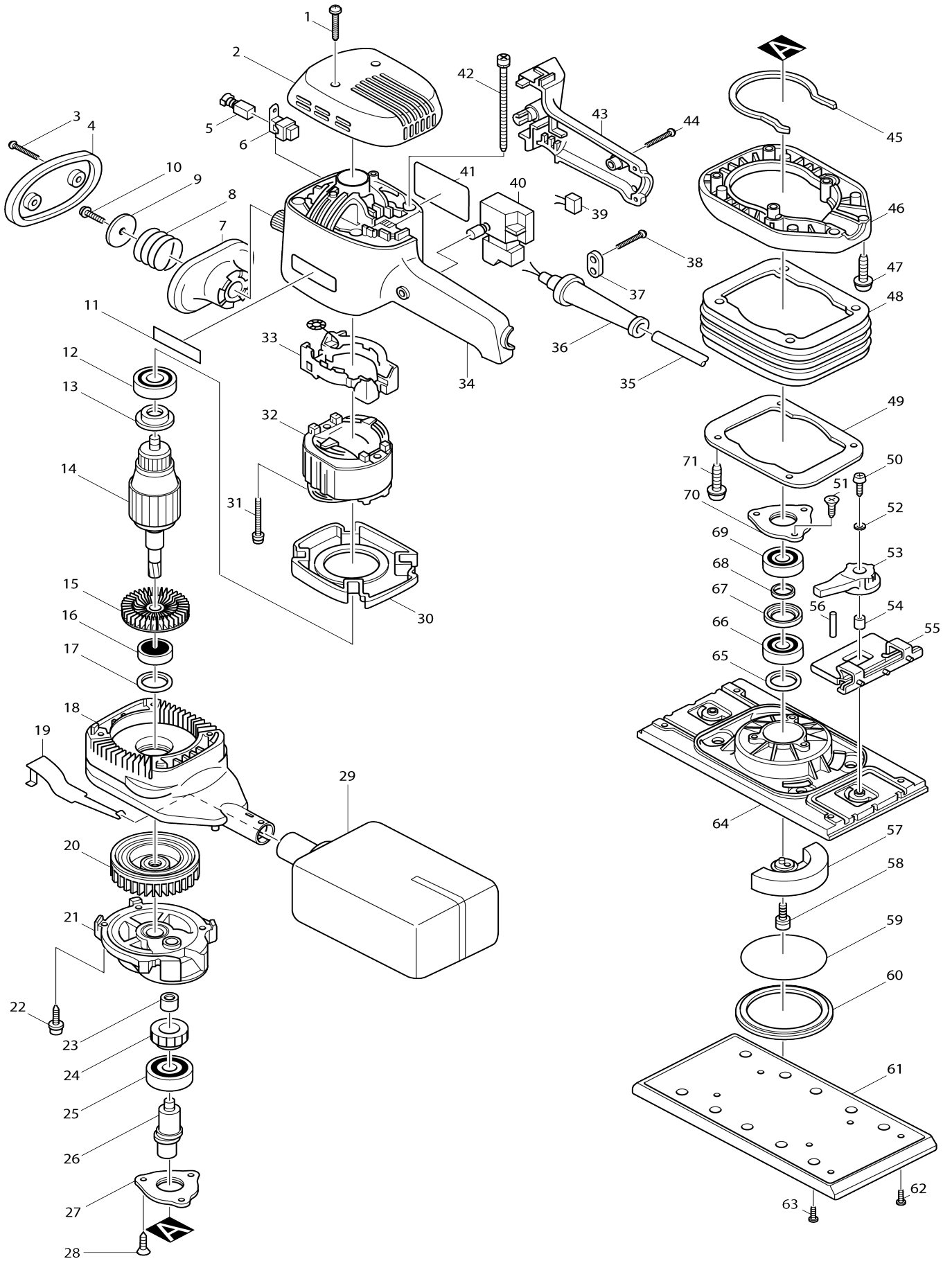


Model No.9046 ORBITAL SANDER



Model No.9046 ORBITAL SANDER

Item No.	Parts No.	Description	Interc hang eabilit y	Q'ty	New/ Old	Note1	Note2
001	265995-6	TAPPING SCREW 4X18		2			
002	415709-5	TOP COVER		1			
003	265995-6	TAPPING SCREW 4X18		2			
004	415723-1	GRIP COVER		1			
005A_	191962-4	CARBON BRUSH CB-419		1			
006	643923-5	BRUSH HOLDER		2			
007	415717-6	GRIP BASE		1			
008	231463-1	COMPRESSION SPRING 24		1			
009	267136-0	FLAT WASHER 5		1			
010	266021-4	TAPPING SCREW 5X20		1			
011	819063-3	MAKITA LABEL		1			
012	211033-2	BALL BEARING 608LB		1			
013	681625-5	INSULATION WASHER		1			
014C_	516213-8	ARMATURE ASS'Y 220V		1			
D10		INC. 12,13,15,16					
015	241879-2	FAN 60		1			
016	211129-9	BALL BEARING 6201DDW		1			
017	267127-1	FLAT WASHER 26		1			
018	415567-9	SCROLL HOUSING		1			
019	344230-6	EARTH PLATE		1			
020	241880-7	FAN 68		1			
021	316621-1	GEAR BOX		1	*		
021-1	317389-2	GEAR BOX	S	1			
022	266045-0	TAPPING SCREW 4X20		4			
023	212004-2	NEEDLE BEARING 810		1			
024	226430-9	HELICAL GEAR 39		1			
025	211278-2	BALL BEARING 6203DDW		1			
026	322708-9	CRANK SHAFT		1			
027	162171-2	BEARING RETAINER 24		1			
028	266058-1	TAPPING SCREW CT 4X12		3			
029	152456-4	DUST BAG COMPLETE		1	*		
030	415561-1	BAFFLE PLATE		1			
031	266056-5	TAPPING SCREW 5X45		2			
032C_	634223-4	FIELD 220V		1			
033	632514-7	SUPPORT COMPLETE		1			
034	415566-1	MOTOR HOUSING		1			
035P_	665890-4	POWER SUPPLY CORD 1.0-2-4.0		1			
036B_	682516-3	CORD GUARD 9.3-85		1	*		
036B1	682504-0	CORD GUARD 10-85	O	1			
037C_	687063-9	CORD CLAMP		1	*		
037C1	687052-4	STRAIN RELIEF	X	1			
038	265995-6	TAPPING SCREW 4X18		2			
039B_	645200-1	NOISE SUPPRESSOR		1			
040	651263-7	SWITCH SGEL206C		1	*		
040-1	651263-7	SWITCH SGEL206C	O	1			
041	857628-3	NAME PLATE 9046		1			
042	266057-3	TAPPING SCREW BIND BT 5X90		4			

043	415565-3	HANDLE COVER		1		
044	265995-6	TAPPING SCREW 4X18		2		
045	421496-6	PACKING		1		
046	415563-7	SCROLL COVER		1		
047	266020-6	TAPPING SCREW 4X12		2		
048	165096-9	RUBBER SLEEVE		1		
049	344143-1	PLATE		1		
050	266042-6	TAPPING SCREW BIND CT 4X20		2		
051	266058-1	TAPPING SCREW CT 4X12		3		
052	253874-0	FLAT WASHER 4		2		
053	415559-8	CLAMP LEVER		2		
054	257659-6	SLEEVE 4		2		
055	152457-2	PAPER CLAMP COMPLETE		2		
C10	421498-2	CLAMP RUBBER		2		
056	256104-8	PIN 3		4		
057	316619-8	BALANCER		1		
058	266071-9	HEX. SOCKET HEAD BOLT M5X16		1		
059	213755-0	O RING 75		1		
060	344142-3	UNDER COVER		1		
061	162172-0	PAD		1		
062	266026-4	TAPPING SCREW BIND CT 4X12		4		
063	266026-4	TAPPING SCREW BIND CT 4X12		4		
064	316620-3	BASE		1		
065	267127-1	FLAT WASHER 26		1		
066	211227-9	BALL BEARING 6002DDW		1	*	
066-1	211236-8	BALL BEARING 6002DDW	O	1		
067	257189-7	RING 19		1		
068	257188-9	RING 15		1		
069	211227-9	BALL BEARING 6002DDW		1	*	
069-1	211236-8	BALL BEARING 6002DDW	O	1		
070	162171-2	BEARING RETAINER 24		1		
071-1	266192-7	TAPPING SCREW 4X14		4		
072	262547-4	FELT RING 20		1		
A01	A-14065	ABRASIVE PAPER 115-60 /STD		1		
A02	A-14087	ABRASIVE PAPER 115-100 /STD		1		
A03	A-14102	ABRASIVE PAPER 115-150 /STD		1		
A04	193294-5	PAPER DUST BAG HOLDER		1		
A05	193293-7	PAPER DUST BAG		1		
E01	322768-1	EARTH WIRE		1		
E02	652259-1	CLAMP WASHER		4	*	
E03	654077-3	INSULATED TERMINAL FK2-M3D-5.5		2		
E07	646077-7	CHOKE COIL		1		
F01	192349-3	JOINT 25		0		

Please state Parts No. when your order.

Print Date 14/06/2024