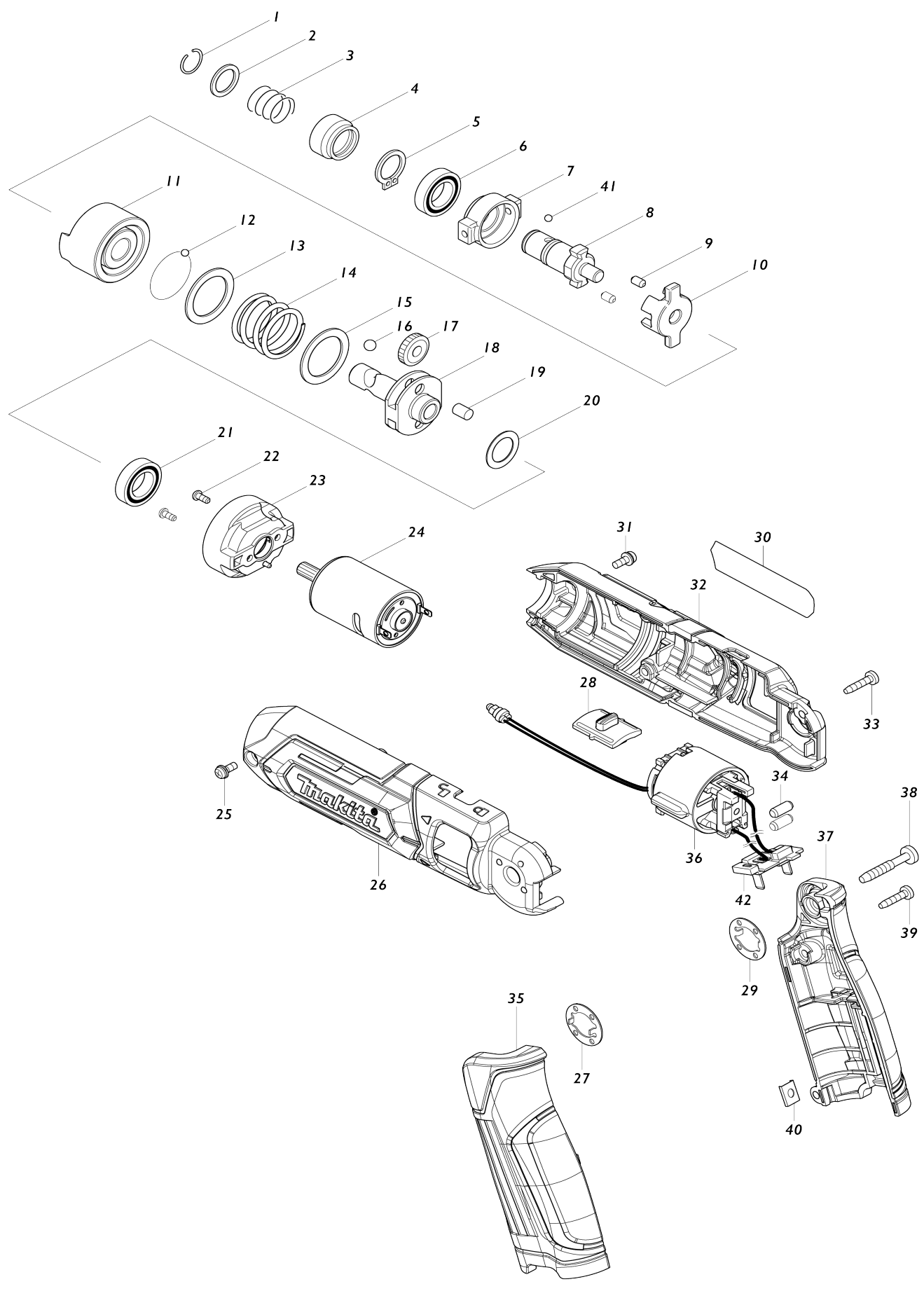


Model No.TD022D CORDLESS IMPACT DRIVER



Model No.TD022D CORDLESS IMPACT DRIVER

Item No.	Parts No.	Description	Interchangability	Q'ty	New/Old	Note1	Note2
001	231965-7	RING SPRING 10		1			
002	267143-3	FLAT WASHER 11		1			
003	233005-7	COMPRESSION SPRING 13		1			
004	324711-6	BIT SLEEVE		1			
005	961072-9	RETAINING RING S-12		1			
006	210108-4	BALL BEARING 6801LLU		1			
007	313136-9	LOCK RING		1			
008	324717-4	SPINDLE M		1			
009	268160-6	PIN 3.5		2			
010	324713-2	ANVIL		1			
011	324714-0	HAMMER		1			
012	216019-1	STEEL BALL 3		23			
013	267335-4	FLAT WASHER 20		1			
014	233481-5	COMPRESSION SPRING 20		1			
015	267335-4	FLAT WASHER 20		1			
016	216002-8	STEEL BALL 4.8		2			
017	227173-6	SPUR GEAR 27		2			
018	324715-8	SPINDLE		1			
019	268161-4	PIN 5		2			
020	253052-2	FLAT WASHER 12		1			
021	210108-4	BALL BEARING 6801LLU		1			
022	265172-0	+PAN HEAD SCREW M2.6X6		2			
023	451522-7	INTERNAL GEAR CASE		1			
024	629237-6	DC MOTOR		1			
025	265173-8	PAN HEAD SCREW M3X8		1			
026	183F00-2	MOTOR HOUSING SET		1			
D10		INC. 32					
027	267803-7	LOCK WASHER		1			
028	451523-5	LOCK LEVER		1			
029	267803-7	LOCK WASHER		1			
030	852V05-6	TD022D NAME PLATE		1			
031	265173-8	PAN HEAD SCREW M3X8		1			
032	183F00-2	MOTOR HOUSING SET		1			
D10		INC. 26					
033	266404-8	TAPPING SCREW BIND 3X14		3			
034	263027-3	RUBBER PIN 4		2			
035	183E72-1	HANDLE SET		1			
D10		INC. 37					
036	632H09-8	SWITCH UNIT		1			
C10	688161-2	LINE FILTER		1			
037	183E72-1	HANDLE SET		1			
D10		INC. 35					
038	266374-1	TAPPING SCREW 4X25		1			
039	266404-8	TAPPING SCREW BIND 3X14		2			
040	345749-8	SET PLATE		2			
041	216019-1	STEEL BALL 3		2			
042	643817-4	TERMINAL		1			

A01	784244-7	+ BIT 2-50		1		
A02	168435-2	HOLSTOR		1		
A03	821549-5	CONNECTOR PLASTIC CASE (TYPE1)		1		
C10	453974-8	LATCH		4		
A04	***DC10WA	DC10WA BATTERY CHARGER		1		
D10		COMPO-PARTS				
A05	198000-3	BATTERY BL0715 SET		2		
A06	810Y94-5	TD022DSJ INDICATION LABEL		1		
A07	810Y95-3	TD022DSJ PLASTIC CASE LABEL		2	*	
A07-1	810Y96-1	TD022DSJ PLASTIC CASE LABEL	O	2		
A08	837871-0	INNER TRAY		1		
F01	194731-2	REBAR BINDING ATTACHMENT SET		1		
F02	198000-3	BATTERY BL0715 SET		1		

Please state Parts No. when your order.

Print Date 23/10/2023