

ADVICE, SERVICE AND PARTS FROM WEIBANG.



Maximum reliability and high performance, even in extreme conditions, this is hallmark of WEIBANG machine. Regular maintenance and care, combined with attentive customer service, play a vital role in guaranteeing the machines' operational efficiency and reliability well into the future.

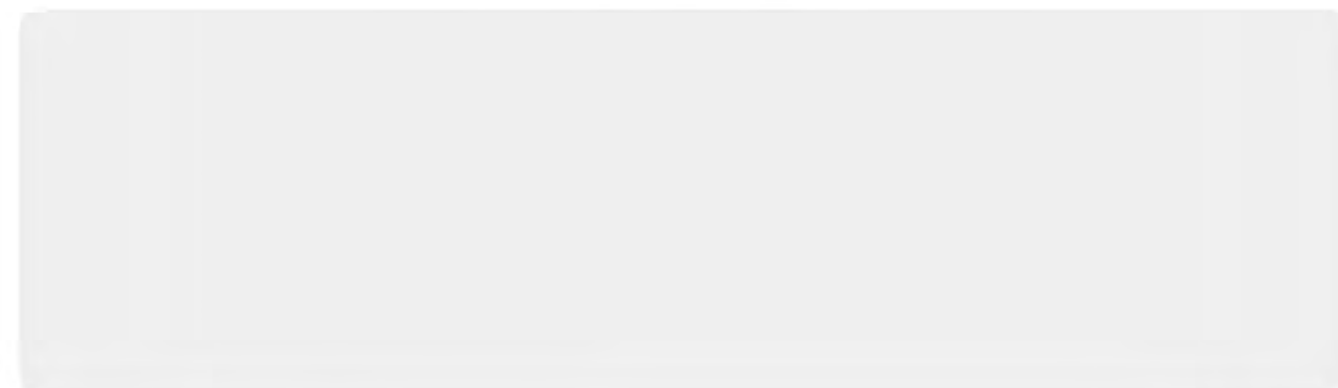
WEIBANG dealers are happy to provide you with advice on selecting the right product to meet your needs, and they also give you useful tips on using the machine correctly and offer you professional service. This gives you the assurance that your WEIBANG machine will be a pleasure to use for many years.

Every WEIBANG product is backed by a comprehensive guarantee, the period of which varies according to model. If your machine requires servicing or repair under warranty, contact your WEIBANG authorized dealer. The WEIBANG service organization has original WEIBANG parts in stock for you. Always use original spare parts with the logo "WEIBANG" to ensure maximum performance, reliability and service life from your WEIBANG machine.

It is very important to study the entire owner's manual prior to initial operation and to take sufficient care when using a WEIBANG product, while always adhering to the safety instructions. If used incorrectly, all products can be a source of potential danger to the user, onlookers, animals, or nearby objects. Non-compliance could result in death or serious injury.

www.weibang.com

Your WEIBANG stockist



Yangzhou weibang garden machine company limited
YINBO ROAD, HANJIANG INDUSTRIAL PARK
YANGZHOU, JIANGSU, CHINA
Tel: +86 -514-87849975 Fax: +86 -514-87849938
Sale@weibang.com



WEIBANG® has a policy of continuous improvement and reserves the right to change models and specifications without prior notification.

 30% of our electricity comes from solar power



Catalog

WEIBANG®
GARDEN MACHINES

Catalog



77cm TWIN BLADE 	
SHAFT DRIVING MOWER	04-09
RECHARGEABLE RIDE ON LAWNMOWER	10-19
E-RIDER	12-15
WEIBANG ELECTRIC ZERO TURN RADIUS MOWERS	16-17
ELECTRIC LAWN MOWER	18-19
HIGH GRASS CUTTING SERIES	20-39
ZERO TURN RADIUS MOWERS	40-41
LAWN MOWERS OVERVIEW	42-51
REAR ROLLER MOWER	42
MULCHING MOWER	46
BUTTON START MOWER	50
45CM MOWERS	54
50CM MOWERS	56
53CM MOWERS	58
48CM AL MOWERS	60
53CM AL MOWERS	61
WEIBANG PROFESSIONAL LAWN MOWER	62
CHIPPER/SHREDDER WOOD CHIPPER	68-77
PROFESSIONAL MACHINE	78-87
LAWN AERATOR	80
SOD CUTTER	81
TRENCHER	82
STUMP GRINDER	83
POWER RAKE	84
SWEEPER	85
LEAF VACUUM	86

77cm Twin blade

This is a special wide width lawn mower with 3IN1 function of grass collecting, side discharging and mulching. The special two unequal size blades couple with the aerodynamic wind chute get the best effect of collecting or mulching. Equipped with powerful 300cc engine, 90L grass catcher and a 3-speed transmission, you can significantly reduce your mowing time. When using as a mulching mower, it do the mowing job 30% faster than others. The deck and the blade have an aerodynamic design, which means the grass clippings whirl around and are cut and re-cut into fine particles. The particles are blown down into the turf to recycle valuable nutrients as well as eliminating grass collection and disposal. It means that you need not rake up grass afterward, so there is less work and greater time-saving too.



Model	WB778SLC V-3IN1
Cutting Width (cm/")	77/30.3
Cutter Deck Material	Steel
Suitable Area	up to 6000m ²
Drive	Vari Speed
Drive Speed	2.99 - 4.5 km/h
Engine Displacement (cc)	300
Engine Rated Power (kW/rpm)	5.5 / 3100
Cutting means	2 steel blades
Blade speed (rpm)	2900
Cutting height (mm)	17-129
Cutting height adjustment	15
Quick Release Handles	Adjustable Ratchet
Service Position	Yes
Storage / Transport Position	Yes
Front Bumper	Yes
Drive speed shifting	3 gears
Fuel tank capacity (L)	4L
E10 Petrol Compatible	Yes
Cutting Attachment	Side discharge deflector/ Mulching plug
Grass bag capacity (L)	90L
Wheel size	Front 9" / Rear 10.5"
Working dimension LXWXH(mm)	1900x1018x1165
Weight(kg)	97
Vibration Level* (m/s ²)	4.9
Guaranteed Noise Level (Lw(A) dB)	106
Noise Level at operator s ear(Lp(A) dB)	84
Warranty	1 Year Commercial

* Uncertainty Factor 1.5 m/s²

77cm Twin blade
77cm cutting width

WEIBANG[®]
GARDEN MACHINES



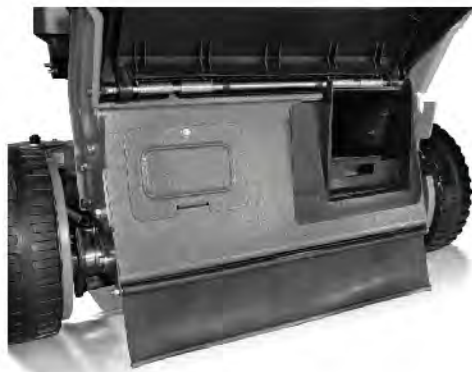
Comfort grip handles equipped with easy access choke and throttle controls, OPC Clutch lever of blade engagement, OPC Clutch of wheel engagement and park brake lever.



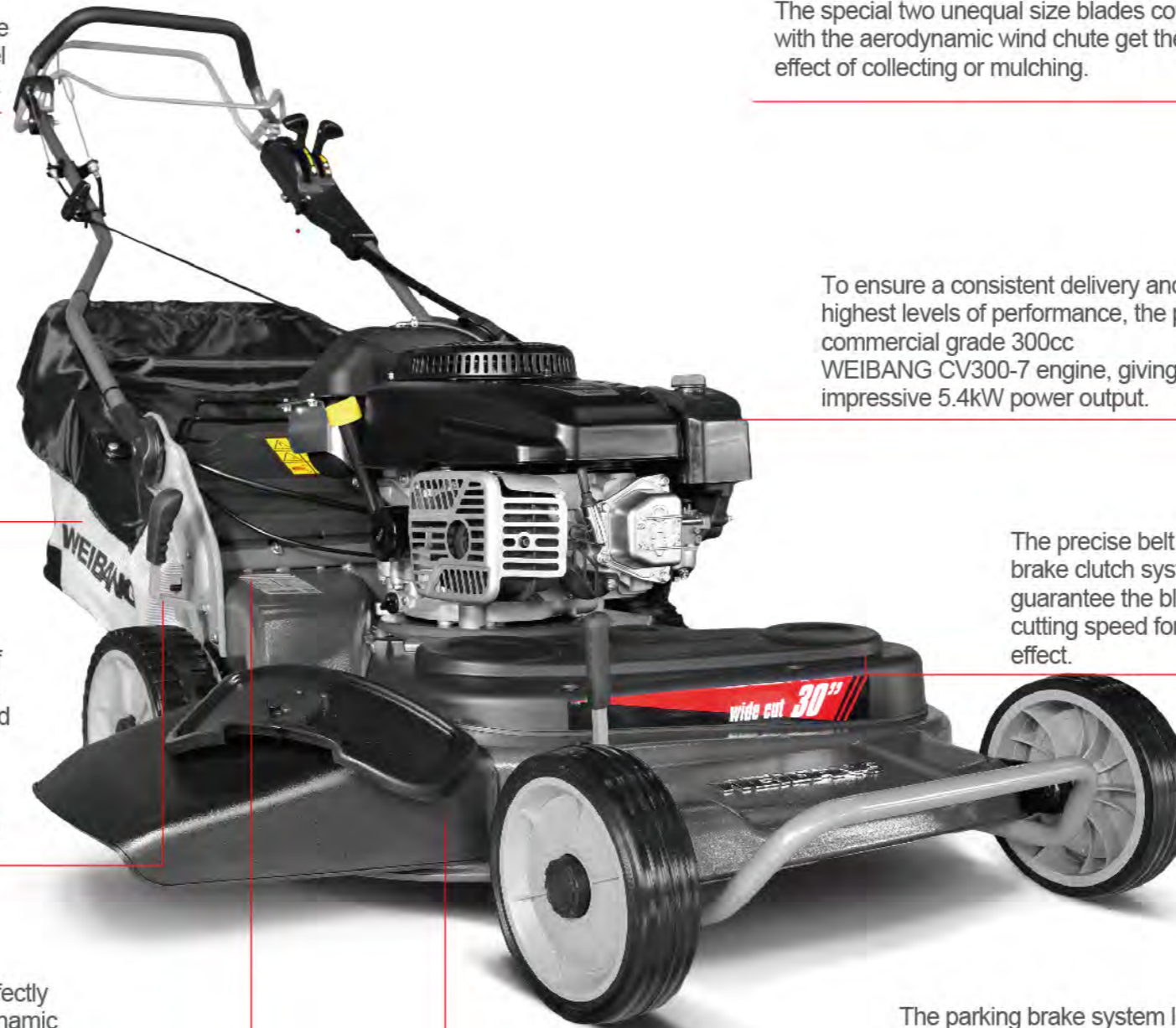
The 90L large-capacity grass catcher ensures a more sustained and continuous mowing operation.



By adjusting the height of the front and rear wheels respectively to get desired mowing height, which is convenient and labor-saving, and meet individualized needs fully



The mulching plug is perfectly matched with the aerodynamic wind chute, which ensures the best mulching effect.



The special two unequal size blades couple with the aerodynamic wind chute get the best effect of collecting or mulching.

To ensure a consistent delivery and the highest levels of performance, the powerful commercial grade 300cc WEIBANG CV300-7 engine, giving an impressive 5.4kW power output.

The precise belt transmission and brake clutch system of cutting deck guarantee the blade getting best cutting speed for perfect cutting effect.

The parking brake system locks the metal brake disc of the driving shaft directly via a metal pin, no possibility of skidding, and is more reliable and durable.





SHAFT DRIVING MOWER 48-53CM CUTTING WIDTH

The new shaft driving mower is equipped with a professional and powerful WEIBANG 196cc biaxial engine which has large output surging power. The driving speeds can be adjusted with three easily operative gears. Moreover, the reliable rear axle transmission can suit various tough working conditions as well.

Furthermore, the aluminum deck has an aerodynamic designed air-flow channel. Along with professional blades, the mower perfectly combines the low vibration and high grass collecting quality, as vibration decrement leads to noise decrement too.

Lastly, it is also equipped with the quick folding system, so the mower is very comfortable and convenient not only in operation but for storage too.



WATCH THE VIDEO

SHAFT DRIVING MOWER

48-53CM CUTTING WIDTH



Central control box brings you comfortable operating experience and more convenience too.



The cutting height can be changed conveniently using a spring-assisted hand grip 0.5-3.2Inches over 8 positions.



Patented cardan axis, more durable and reliable.



★ Endurable BBC (blade-brake-clutch) stop blades without turning off the engine and 530mm cutting width is a self-propelled, 3-in-1, multiple driving speeds option with BBC clutch as well.



The large professional displacement (196cc) biaxial engine output had added surging power.



Heavy duty adjustable handle brackets with integrated Anti-Vibration Technology. Designed for ease of use and a long life.



The fantastic design of the steel inner and outer skirt well protects the blade under any severe working condition besides the patented, more durable, and reliable axis.



The professional multi-gear transmission box and all-metal gear parts inside ensure the sustainable and stable performance in lots of complex situations. It suits various arduous commercial working settings.

SHAFT DRIVING MOWER

48-53CM CUTTING WIDTH



Model		WB507SC V PRO	WB507SC V-3IN1 PRO	WB537SC V PRO	WB537SC V-3IN1 PRO	WB487SC V AL PRO
Service code		W507VC020B1908	W507VCT020B1908	W537VC020B1908	W537VCT020B1908	W487VC120B1908
Steel/aluminium		Steel	Steel	Steel	Steel	AL
Power		WEIBANG 1P70FC	WEIBANG 1P70FC	WEIBANG 1P70FC	WEIBANG 1P70FC	WEIBANG 1P70FC
Surface up to(m ²)		400-1000	400-1000	1000-3000	1000-3000	400-1000
Cutting width(mm)		492	492	530	530	482
Driving speed(m/s)		0.8-1.0-1.2	0.8-1.0-1.2	0.8-1.0-1.2	0.8-1.0-1.2	0.8-1.0-1.2
Driving lever		●	●	●	●	●
Grasscatcher capacity(L)		60	60	70	70	65
N () cutting positions up () to () mm		8/25-70	8/25-70	9/15-85	9/15-85	7/20-75
Wheel diameter		8"/9"	8"/9"	8"/9"	8"/9"	8"/8"
Mulch(*kit mulching upon request)		○*	●	○*	●	○*
Side discharge		-	●	-	●	-
Net weight (kgs)		41	42.5	48	49.5	52
Packaging dimensions(LxWxH)mm		980x570x510	980x570x510	980x600x560	980x600x510	1060x600x470

* Optional



Model		WB537SC V AL PRO	WB487SC V AL-BBC PRO	WB537SC V AL-BBC PRO	WB537SC V-BBC PRO	WB537SC V-3IN1-BBC PRO
Service code		W537VC120B1908	W487VC121B1908	W537VC121B1908	W537VC021B1908	W537VCT021B1908
Steel/aluminium		AL	AL	AL	Steel	Steel
Power		WEIBANG 1P70FC	WEIBANG 1P70FC	WEIBANG 1P70FC	WEIBANG 1P70FC	WEIBANG 1P70FC
Surface up to(m ²)		1000-3000	400-1000	1000-3000	1000-3000	1000-3000
Cutting width(mm)		530	482	530	530	530
Driving speed(m/s)		0.8-1.0-1.2	Stepless 0.87-1.15	Stepless 0.85-1.27	Stepless 0.94-1.22	Stepless 0.94-1.22
Driving lever		●	●	●	●	●
Grasscatcher capacity(L)		70	65	70	70	70
N () cutting positions up () to () mm		7/25-76	7/20-75	7/25-76	8/25-80	8/25-80
Wheel diameter		8"/9"	8"/8"	8"/9"	8"/9"	8"/9"
Mulch(*kit mulching upon request)		○*	-	-	-	●
Side discharge		-	-	-	-	●
Net weight (kgs)		54	52	54	50	52.6
Packaging dimensions(LxWxH)mm		1060x600x470	1060x600x470	1060x600x470	980x600x550	980x600x550



Battery powered mowers

This environmentally friendly mower allows you to mow quietly and efficiently. The powerful 72V lithium battery and 81cm cutting deck will make cutting your lawn a breeze. Differential steering makes turning easy, while controllable motors allow precise mowing control. The wide turf tires give excellent traction, and the cutting height can be adjusted.



WB76E Rechargeable ride on lawnmower DC72V Lithium-ion / Lead Acid Battery Powered 30" cutting width

A good battery can not only provide you quiet and peaceful mowing, but it is also cleaner as it is environment-friendly and rechargeable. Because of the 72V battery power, the DC mower is stronger than other DC electrical riding mowers.

Other than the energy source, we also provide you an intelligent mover with functions such as semi-automatic trouble detecting and automatic stop working when an electric motor is overheated; blades get stuck in the grass, or when there is low electricity capacity. Thus, our intelligent mover is a great combination of computers and mechanics.



Multiple cutting height adjustments greatly suit different working sites through just the same lawn mower.



The central controlling panel integrates most buttons for easy operations.



Patent discharging and opening for shifting from mulching to side discharging is also facilitated very aptly.



Battery	
Capacity -Volts & amps	72V battery system
Work time	110 mins
Recharge time	6 hours (Lead acid 18AH/ Lithium 22.5AH)
Mower deck	
Cutting width	76cm(30 Inch)
Cutting height	25-85mm(1 - 3.35 Inch)
Cutting positions	8
Deck construction	Metal
Spindle material	Steel motor shaft
Deck engagement	Electric-Blade mounted directly to motor shaft
Speed	
Speeds-fwd	Max. 6 km/h(2.7mph-4mph)
Speeds-rev	Max. 5 km/h(3.4mph)
Dimensions	
Weight	Net weight: 140kg (Lithium polymer battery group) or 180kg (Lead acid battery group)
Length×Width×Height	1395x980x1016mm(55 × 38.6 × 39.6 Inch)
Front/Rear wheel	11"/13"
Accessories	
Grass deflector	Included
Charger	72V/3AH Certified Smart Charger
Warranty	2 year limited non commercial

WB81EC-C



Rechargeable ride on lawnmower
DC72V Lithium-ion Battery powered
32" cutting width



WATCH THE VIDEO



User friendly control panel.



10 cutting height options.



Mulching plug

MODEL	WB81EC-C
BATTERY CAPACITY	72V/22.5AH LITHIUM BATTERY
WORKING TIME	80 MINUTES
WORKING AREA	3500 m ²
CHARGER	72V / 2.5A SMART CHARGER
CHARGING TIME	7 HOURS
CUTTING WIDTH	81 CM
CUTTING HEIGHT	2.5 - 13 (CM)
CUTTING POSITION	10
GRASS CATCHER CAPACITY	190 L
TURNING RADIUS	50 CM
DECK MATERIAL	STEEL
DECK TYPE	STAMPED
DRIVE TYPE	REAR DRIVE
SPEED FWD	6.5 KM/H
SPEED REV	5 KM/H
MOTOR	DC 800W BRUSHLESS
QUANTITY OF BLADE	2
FRONT / REAR WHEEL	11" / 13"
NET WEIGHT	173 KGS
MACHINE DIMENSION	2000*848*1040 (MM)
PACKING DIMENSION	1630*895*1200 (MM)
FUNCTION	REAR COLLECTION / MULCH
LOADING QUANTITY (40HQ)	26 UNITS

WBZ106E

**Rechargeable ZTR Ride-on lawnmower
DC72V Lead acid Battery Powered
42" cutting width**

The WBZ106E is our electric residential ZTR mower. Enjoy cutting your lawn quickly and quietly without having to worry about gas and oil. Fully charged the powerful batteries will allow you to cut up to 8000 m². The electric drive system allows you to navigate through your yard with ease thanks to the dual brushless motors. The WBZ106E brings the efficiency of a Zero Turn Mower into the 21st century.



1
The user-friendly central control panel integrates a LCD screen, which provides information about remaining power capacity, accumulated working time, wheel speed, and status of safety switches.



2
Our adjustable seat gives the operator maximum comfort. This reduces fatigue when mowing for long periods of time.



3
A park brake handle equipped for easily one-handed operation



4
1-4 inch cutting height and 10 levels adjustment, which is suitable for various lawns and meet the personalized needs of users.



5
Durable Alloy Blades with high airflow design.



WATCH THE VIDEO

Model	WBZ106E
Drive motor	Foward - Neutral - Reverse
Drive system	Electric
Battery capacity -Volts&Amphour rating	72V/75AH Lead-acid battery
Deck material	Steel
Number of spindles	2
Blade tip speed	2800min ⁻¹
Cutting width	42 inch (105cm)
Seat safety switch	Integral safety switch
Cutting position and heights (1/2/3/4/5/6/7/8)	1 (1in) , 2 (1.26in) , 3 (1.65) , 4 (1.95in) 5 (2.32in) 6 (2.72in) , 7 (3.1in) , 8 (3.46in) , 9 (3.78in) , 10(4.1in)
Front/Rear	11"x4.00-5NHS/18"x6.5-8
Charger	72V/4.6A Certified Smart Charger

**ELECTRIC LAWN MOWER,
120V Lithium-ion battery powered
45-50cm cutting width**



Motor starting lever is coated with thick plastic for safety.



Patent charging seat can identify the battery pack to ensure safe charging.



The 120V battery powered lawn mower has professional cutting blades that ensure best effects of grass catching and keeps the noise at very low levels at the same time.



Before starting the motor, press down the red button to prevent accidental starting.



Environment friendly Maintenance Free Power Pack, Zero Emission and low noise.



It has a locking lever that can be quickly released so that it is flawlessly easy to adjust the operating height.



Electric Lawn Mower

Power Pack is an independent power assembly that integrates a DC motor, a lithium battery and a controller set. It is an ideal alternative power for gasoline engines. WEIBANG Power Pack is equipped with a 120V\4AH lithium-ion battery, suitable for household lawn mowers who's cutting widths less than 50cm. This power pack have advantages of zero pollution emissions, low noise, and maintenance-free. The plug-in battery pack is easy to install or remove, and which is equipped with a special charging seat for fast charging.



Model	WB452HE	WB452SE-3IN1	WB502SE-3IN1	WB462SE-M
Deck	Steel			
Power	Power pack DC120V 800W			
Battery Capacity	4AH (Lithium polymer battery)			
Blade Tip Speed	2800min ⁻¹			
Cutting width	18" (45cm)	18" (45cm)	20" (49.2cm)	19" (46cm)
Cutting position and heights	8/20 - 70mm	8/20 - 70mm	8/21 - 70mm	7/15 - 76mm
Mulch	○*	●	●	●
Grass catcher volume	50 L	50 L	60 L	—
Wheels Front / Rear	7" / 8"	7" / 9"	8" / 9"	8" / 8"
Net weight	32 kg	36.5 kg	39.7kg	39 kg

Mulching kit optional



High grass mowing series

Cutting machines for high grass are professional grassland cleaning unit with high efficiency suited for weeds clearance in large areas of complex terrain. These machines are constructed for normal use in agricultural, forestry and landscaping to cut and /or mulch grass or similar plants or scrub and woody vegetation.



CVT transmission

PATENT CVT SYSTEM



WATCH THE VIDEO

Flail Mower
68cm cutting width

WEIBANG[®]
GARDEN MACHINES

WBGT6813

THE LATEST **CVT** TRANSMISSION DRIVING TECHNOLOGY



Weibang wheeled flail mower is designed for high-stemmed weeds of large areas and complex terrain. It is equipped with a 9-hp gasoline engine and a latest WEIBANG continuously variable transmission (CVT) system. The wide cutting head with steel Y-type blades can sweep away all large areas of high-stem weeds in an instant. The handle bar can be quickly adjusted both vertically and laterally to suit the complex operating conditions in wild environment.



To ensure a consistent delivery and the highest levels of performance we chose the commercial grade WEIBANG X400 engine, with 392cc and 6.6kW of power. Featuring a commercial grade cylindrical filter element and large air filter for optimum performance.



The height of cut is easily adjusted between 10 - 90mm to suit any area and finish. The specially designed winding mechanism offers quick and easy infinite adjustment despite the machines heavy duty build quality.



The Velocity flail mowers feature fully adjustable handles both up and down to suit the height of the operator, and side to side to allow the operator to stay clear of uncut material and for cutting along hedgerows.

Read details on page 26

Flail Mower
Hybrid-Driven
68cm cutting width

LATEST

HYBRID-DRIVEN TECHNOLOGY

WBG6813-TE



Equipped with the ability to be used in 3 modes. Use the machine as a traditional walk-behind flail, or as a stand-on mower thanks to the foldaway standing platform when tackling tougher terrain. The optional remote control kit allows the machine to be controlled remotely by the operator where conditions do not allow an operator presence such as steep banks.



The WBG6813-TE (Terminator 2) is a hybrid-driven crawler flail mower which designed to clear weed and high grass in large areas of complex terrain efficiently, equipped with a 13hp gasoline engine and latest hybrid-drive propelling system, can achieve the minimum zero radius turn, which has perfect site adaptability. The handle's position is flexible and adjustable. The handle can also be turn to lateral quickly to suit complex operating conditions under wide environment. With a 68 cm wide cutting rotor and steel flail blades, the "Terminator 2" can sweep all weed in an instant even in face of large area grass land.



The height of cut is easily adjusted between 10 - 90mm to suit any area and finish. The specially designed winding mechanism offers quick and easy infinite adjustment despite the machines heavy duty build quality.



Couple motor crawler propelling system equipped, can achieve the minimum zero radius turn, which has perfect site adaptability.



The Velocity flail mowers feature fully adjustable handles both up and down to suit the height of the operator, and side to side to allow the operator to stay clear of uncut material and for cutting along hedgerows.

Read details on page 26

Flail Mower



Model	WBG6813	WBG6813-TE
Cutting Width (cm/")	68 / 27	68 / 27
Cutter Deck Material	Steel	Steel
Suitable Area	up to 6000m ²	up to 8000m ²
Drive	WEIBANG CVT	WEIBANG E-Drive
Drive Speed	0 - 6.1 km/h	0 - 3.8 km/h
Drive Wheels	2WD (16" Wheels)	2WD (Tracked)
Engine Model	WEIBANG X400	WEIBANG X400
Engine Displacement (cc)	392	392
Engine Rated Power (kW/rpm)	6.6 / 3600	6.6 / 3600
Fuel Tank Capacity (l)	6	6
E10 Petrol Compatible	Yes	Yes
Blade Type	Flail with 38 Y-Shaped Blades	Flail with 38 Y-Shape Blades
Pivoting Deck	Yes	Yes
Deck Maintenance Position	Yes	Yes
Mulching	Yes	Yes
Side Discharge	No	No
Height Adjustment Type	Screw Lever Adjuster	Screw Lever Adjuster
Height Adjustment Positions	Infinite	Infinite
Cutting Heights (mm)	10 - 90	10 - 90
Powered Steering	/	Dual Motor Zero Turn
Integrated Control Panel	Yes	Yes
Front Bumper	Yes	Yes
Operating Modes	Walk Behind	Walk/ Stand-On / Remote Control***
Remote Control	N/A	Optional
Wheel Material (rim/tyre)	Steel / Puncture Proof	Steel Load Wheels / Rubber Tracks
Wheel Size (cm/")	40 / 16	16 / 6.3 track width
Weight (kg)	243	295
Dimensions LxWxH (mm)	1610 x 876 x 945	1610 x 876 x 945
Vibration Level* (m/s ²)	4.2	4.3
Guaranteed Noise Level (Lw(A) dB)	100	104
Noise Level at operator s ear(Lp(A) dB)	87.2	89.4

* Uncertainty Factor 1.5 m/s². *** Remote Control Optional

Field and brush cutter

Field and brush cutter is a professional self-propelled machine used for plant clearance in large areas of grassland. Powered by a 23hp engine which has large output surging power, the brush cutter is a powerful unit for cutting off branches, vines or small shrubs and weeds, low semi-lignified plants. The driving speeds can be shifted easily in three gears. Moreover, the reliable commercial rear axle transmission can suit various tough working conditions as well.



Model	WBBC7623LC	WBBC8623LC
Cutting Width (cm/")	76 / 30	86.4 / 34
Cutter Deck and blade Material	Steel	
Suitable Area	up to 6000m ²	
Drive	3 Speed + Reverse	
Drive Speed	1.8 / 3.5 / 5.2 km/h	
Blade Brake Clutch	Electromagnetic	
Engine Model	WEIBANG LC 2P80F	
Engine Displacement (cc)	764	
Engine Rated Power (kW / rpm)	17 / 3600	
Fuel Tank Capacity (l)	15	
E10 Petrol Compatible	Yes	
Pivoting Deck	Yes	
Deck Connection	PTO Quick release	
Mulching	Yes	No
Side Discharge	No	Yes
Height Adjustment Type	Manual Skids	
Height Adjustment Positions	4 Positions	
Cutting Heights (mm)	92 / 128 / 165 / 201	87 / 114 / 145 / 176
Powered Steering	Individual Wheel - Sealed Drum Brakes	
Integrated Control Panel	Yes	
Protective Hand Guards	Yes	
Front Bumper	Yes	
Deck Protection	Outer Guide Rails	
Wheel Material (rim/tyre)	Steel / Pneumatic	
Wheel Size (cm/")	46 / 18	
Weight (kg)	189	194.5
Dimensions LxWxH (mm)	2200 x 845 x 1215	2320 x 1125 x 1195mm
Storage Dimensions LxWxH (mm)	2200 x 845 x 1215	2320 x 1125 x 1195mm
Vibration Level* (m/s ²)	4.5	
Guaranteed Noise Level (Lw(A) dB)	106	107
Noise Level at operator's ear (Lp(A) dB)	89	90

* Uncertainty Factor 1.5 m/s².

Field and brush cutter
76cm and 86cm cutting width

A protective hand barrier to protect against fallen shrub branches



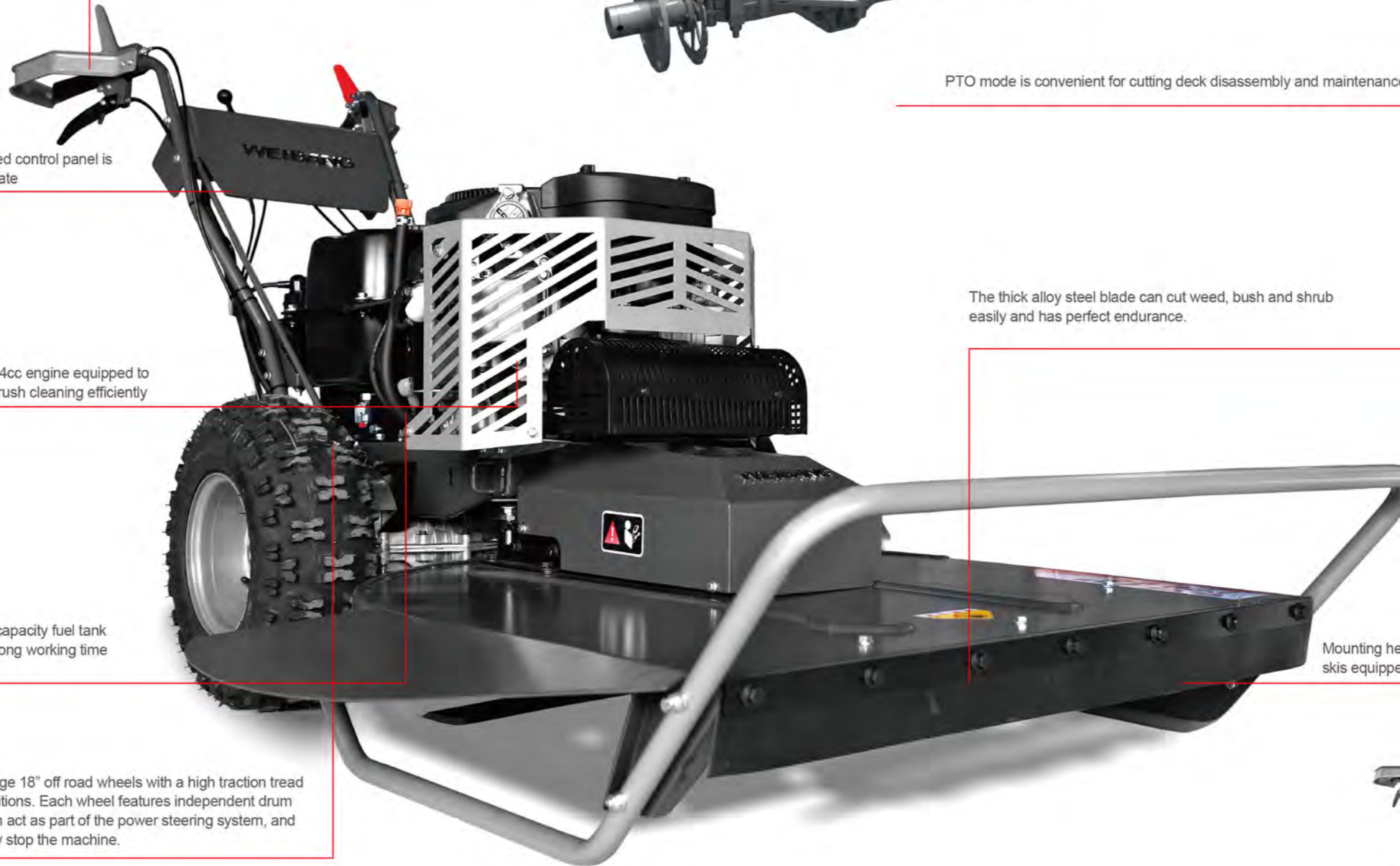
Professional driven transmission, 3 forward gears ,
1 revers gear, which has reliable performance, easy to operate.



PTO mode is convenient for cutting deck disassembly and maintenance



The integrated control panel is
easy to operate



23hp and 764cc engine equipped to
insure the brush cleaning efficiently



The thick alloy steel blade can cut weed, bush and shrub
easily and has perfect endurance.



The 15-liter capacity fuel tank
guarantees long working time



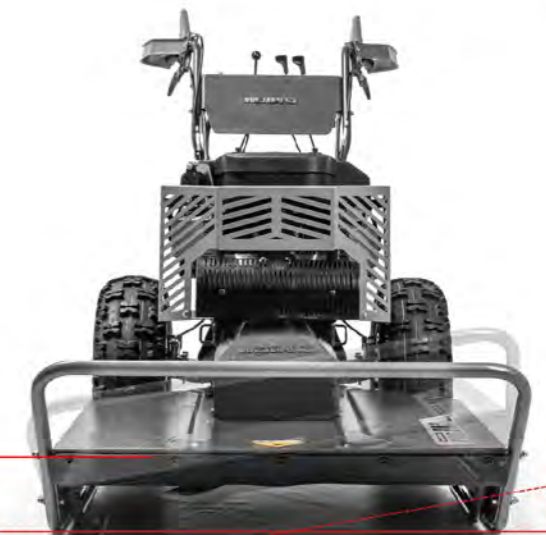
Mounting height adjustable
skis equipped for adjusting cutting height .



Featuring large 18" off road wheels with a high traction tread
for any conditions. Each wheel features independent drum
brakes which act as part of the power steering system, and
also to safely stop the machine.



The mower deck is capable of pivoting a maximum 12.5% up and 12.5%
down to cope with uneven ground and avoid scalping as well as being
removable for cleaning and maintenance. Another feature of the
deck is the adjustable deck skid rails which can raise or lower
the cutting height to suit conditions.



12.5%

12.5%

Electromagnetic clutch operation is labor-saving



Wheeled String Trimmer

The New wheeled trimmer range offers commercial quality with exceptional performance when trimming overgrown areas, hedgerows, fence-lines and more. The range includes 2 models, both powered by a WEIBANG 196cc engine, with a choice of push and variable speed drive. The commercial high-speed nylon string head is mainly for components are built to last, and user friendly features such as adjustable handles which ensure comfort in use. cutting off weeds and low semilignified plants, and the cutting height can be changed easily to get desired stubble heights. The 5 driving speed of self-propelled unit suit various working condition as well. As with all WEIBANG machines.



PU alloy wheels with composite structure have excellent impact resistance and durability



The reinforced bar insure the deflector from punching



The large professional displacement (196cc) engine output had added surging power.



Foldable handle bar equipped is convenient for transportation, and the tail can be used to stand on ground vertically to save storage space.



The trimmer head rotates around the core shaft, which insure the bottom part of the trimmer head reducing wear.



The string trimmer head is offsetted to one side to remove weeds at the root of obstruct easily.



String's position is easy to change from 2"-5.4" on desire to get different stubble heights.

Model	WBLT567HLC	WBLT567SLC
Cutting Width (cm/")	559mm	559mm
Cutter Deck Material	Steel	Steel
Suitable Area	up to 2000m ²	up to 4000m ²
Drive	Push	Vari Speed
Drive Speed	-	2.16 - 4.32 km/h
Head Engagement	Belt	Belt
Engine Model	WEIBANG LC1P70FC	WEIBANG LC1P70FC
Engine Displacement (cc)	196	196
Engine Rated Power (kW/rpm)	3.6 / 3600	3.6 / 3600
Fuel Tank Capacity (l)	1.0	1.0
E10 Petrol Compatible	Yes	Yes
Cutting Attachment	Heavy Duty Trimmer Head	Heavy Duty Trimmer Head
Trimmer Line (mm)	Nylon 4.5	Nylon 4.5
Head Speed (rpm)	3650	3650
	Yes	Yes
Height Adjustment Type	Quick Feed Trimmer Head	Quick Feed Trimmer Head
Height Adjustment Positions	8	8
Cutting Heights (mm)	51 - 137	51 - 137
Quick Release Handles	Adjustable Ratchet	Adjustable Ratchet
Service Position	Yes	Yes
Storage / Transport Position	Yes	Yes
Front Bumper	Yes	Yes
Deck Protection		
Wheel Material (rim/tyre)	Nylon / Polyurethane	Nylon / Polyurethane
Wheel Size (cm/")	35 / 14"	35 / 14"
Weight (kg)	42.3	47.3
Dimensions LxWxH (mm)	1587 x 543 x 972	1587 x 543 x 972
Storage Dimensions LxWxH (mm)	1040 x 543 x 550	1040 x 543 x 550
Vibration Level* (m/s ²)	2.9	2.9
Noise Level (dB(A))	102	102
Noise Level at operator's ear(Lp(A) dB)	85	85

* Uncertainty Factor 1.5 m/s².



X-SHAPED MULCHING BLADE

Grassland mower ——Conqueror

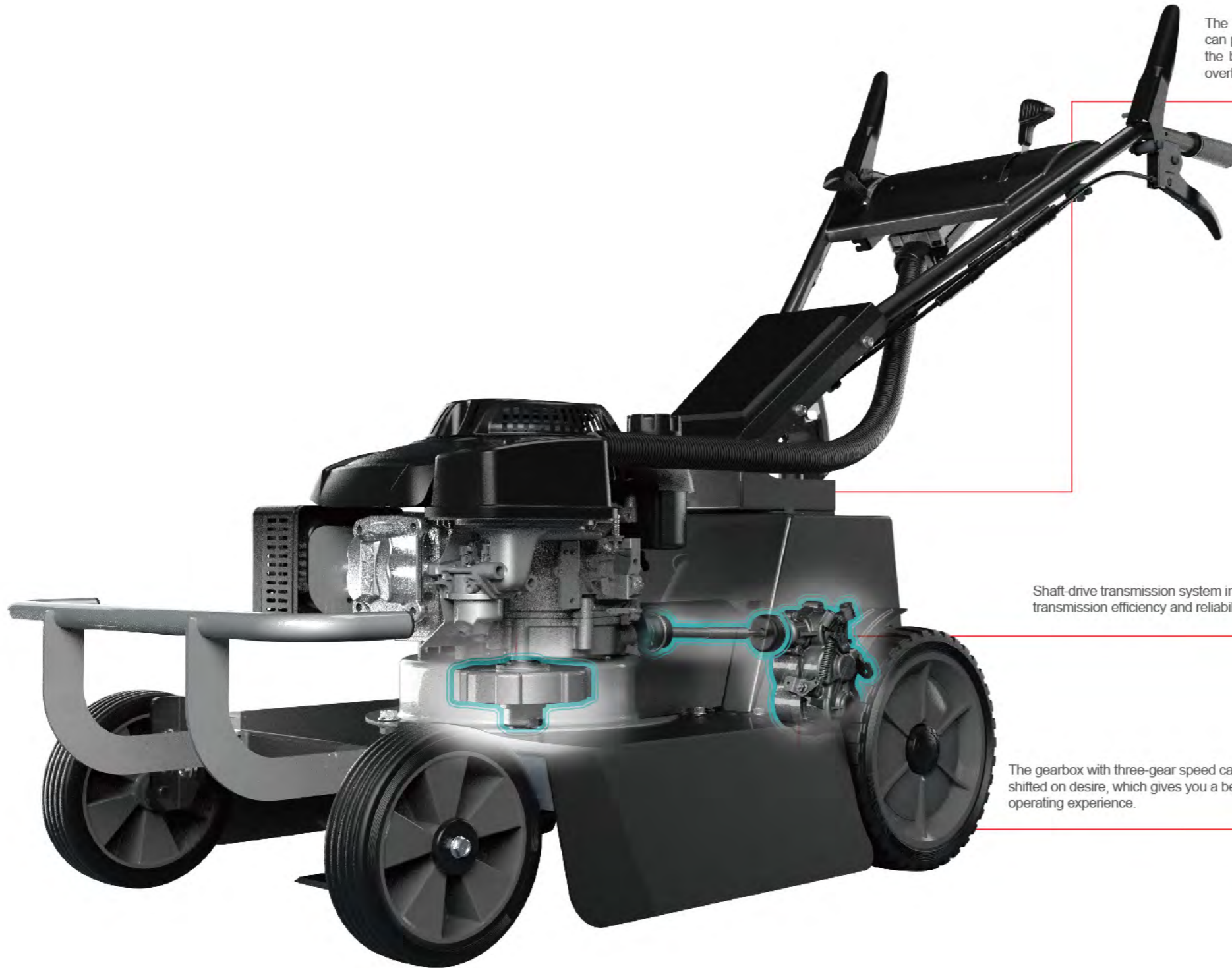
SHAFT-DRIVEN Grassland Mower is directly driven by the low-speed output shaft of the engine, which has the advantages of high transmission efficiency, long life and maintenance-free. The equipment is specially designed for cutting high grass, and 530mm cutting width is especially suitable for orchard weeding and all kinds of wild grassland mowing. Strong power and 3 speed gearbox supply better site adaptability. High strength steel chassis and surface powder coating supply a long service life.

Model	WBBC537SCV
Motor	LC1P70FC 196cc
Nominal power	3.4kW
Moving type	Pedestrian controlled and self propelled
Transmission mode	Shaft drive
Driving speed	Multiple: 0.68-0.84-1.02 m/s
Cutting width	530mm
Cutting height	15-90mm
Cutting height adjustment	By wheels, Front: 6 levels /Rear: 6 levels
Blade speed Max	3600 min-1
Clutch type	Safety clutch
Noise level	98dB(A)
Handle adjustment	Upper/Lower+ Left/Right

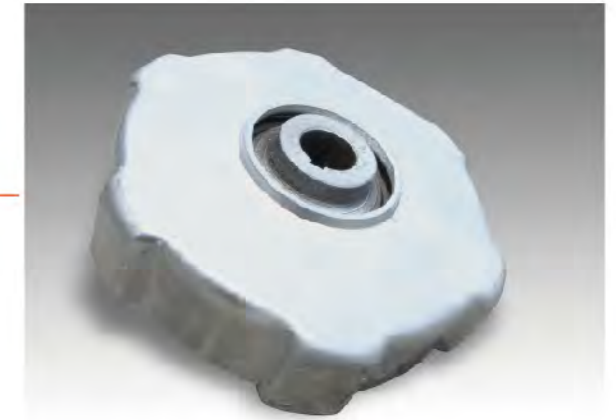


WATCH THE VIDEO

GRASSLAND MOWER



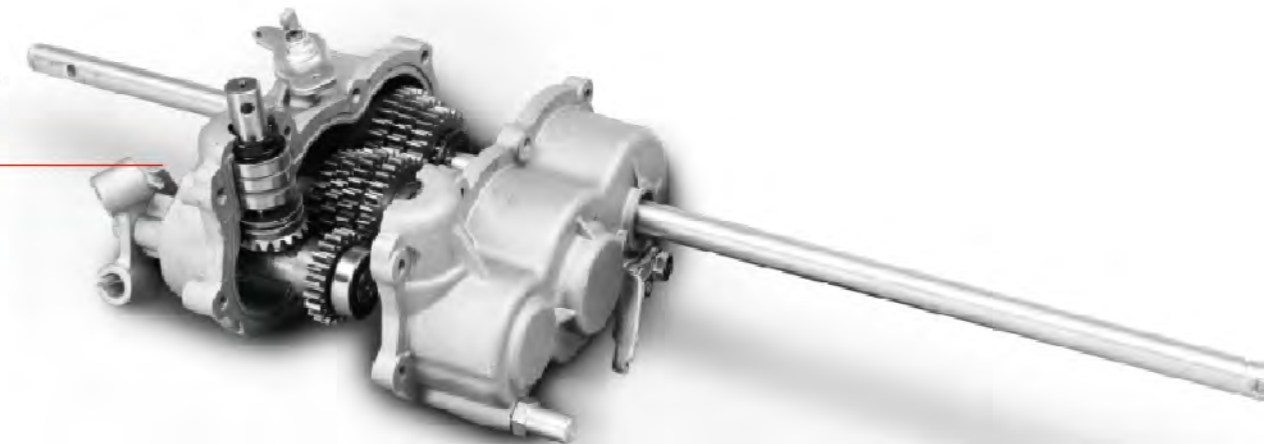
The blade is equipped with a safety clutch, which can protect the engine and shaft components when the blade is subjected to instantaneous impact or overload.



Shaft-drive transmission system improve transmission efficiency and reliability.



The gearbox with three-gear speed can be shifted on desire, which gives you a better operating experience.



WB537HCU

This is a hand-push side-discharge lawn mower with stamped steel chassis. Powered by a 3.1kW engine, double swing blades equipped, the unit can sweep the whole lawn easily. With a minimum cutting height of 11mm and 7 cutting positions, the mower is suitable for fine lawn trimming.



The high-zone air filter reduces the inhalation of dust, effectively prolonging the life of the air filter and reducing maintenance costs.



A single handle can adjust all wheels up and down synchronously, which is conveniently and quickly to adjust grass stubble height.



The swing blades achieves perfect flexible cutting, effectively reduce blade edge damage during impacting and protect the engine.



Model	WB537HCU
ENGINE MAKE/MODEL	LONCIN 1P70FC, 196 cc single cylinder petrol engine /Air cool
ENGINE POWER	4.2HP /3.1 kW @ 2800 rpm
STARTER	Recoil starter
FUEL TANK	1 Liters
TRANSMISSION	/
DRIVE	1WD
SPEED	Via hand push
REAR WHEELS	8" professional lawn wheels (solid and puncture-proof)
FRONT WHEELS	8" professional lawn wheels (solid and puncture-proof)
PARKING BRAKE	/
HANDLEBAR	Foldable, unit can stand up via tail when folded
CUTTING SYSTEM	Rotary disc with 2 flail type blades
CUTTING HEIGHT	7 levels from 11 to 64 mm, 4 wheel quick adjustment
CUTTING WIDTH	530 mm
BLADE SPEED	2800 rpm
OVERALL SIZE LxWxH	1600x720x990mm
WEIGHT	33kg

**ZTR Ride-on lawnmower
48"-61" cutting width**



1 Our control panel has integrated fuel management technology, usage hour meter, maintenance reminders and many other features.



2 Powerful and efficient FX Kawasaki engines.



3 17 different height adjustment options suitable for any cutting conditions.



4 Our adjustable suspension seat gives the operator maximum comfort. This reduces fatigue when mowing for long periods of time.



5 Durable Alloy Blades with high airflow design.



Model	C000751KX48	C000751KX54	C000751KX61
Engine	kawasaki FX751V/FX730V	kawasaki FX751V/FX730V	kawasaki FX751V/FX730V
Rated Power	24.5hp/23.5hp	24.5hp/23.5hp	24.5hp/23.5hp
Blade tip circle speed (ft/min)	16900	17800	18500
Cutting width (inch)	48	54	61
Cutting height (inch)	1-4 3/4	1-4 3/4	1-4 3/4
Blade size and number	16.3"x3	18.3"x3	20.5"x3
Full floating deck	•	•	•
Drive speed Max.mph	11	13	13
Tread width (Center to Center of drive Tires, Widthwise)(inch)	36.2	38.5	41.6
Wheel base (Center of Caster Tire to Center of Drive Tire)(inch)	48	48	51.6
Drive system	HYDRO-GEAR ZT-3400	HYDRO-GEAR ZT-3400	HYDRO-GEAR ZT-3400
Drive tires	20x10.0-8	24x12-12	24x12-12
Front caster	11x4.00-5	13x6.50-6	13x6.50-6
Fuel tank capacity	6.6gal	8gal x2	8gal x2
Seat with Foam-padded high back	•	•	•
Arm rests	•	•	•
Automatical parking brake	•	•	•
Deck foot lift assist	•	•	•
Standard hour meter	•	•	•
Overall length Max.(inch)	80.9	80.9	84.8
Overall width Max.(inch)	59.6	64.8	72.8
Overall height (inch)	70.5	70.5	70.5
Weight (lbs)	1210	1430	1520

REAR ROLLER MOWER 48-56CM CUTTING WIDTH

To keep lawns in good condition, mowers with rear rollers are the best choices if perfect cutting results are required. These professional mowers have a 48-56cm cutting width and large capacities for grass catching between 65-90L.

They are equipped with easiest starting and most powerful professional engines such as Briggs & Stratton Kawasaki engines.

Moreover, professional three-speed transmission gearbox and blade-brake-clutch (BBC) system is also provided on this model.

The cutting height can be set by an adjusting lever from 13mm~67mm.

Lastly, the rear roller also forms a beautiful pattern during mowing the lawn, for settings like football parks and many others, etc.



WATCH THE VIDEO



REAR ROLLER LAWN MOWER

48-56CM CUTTING WIDTH



REAR ROLLER LAWN MOWER

Hence, it is the best you need for a finely managed garden, as the rear rolling on the lawn will also form a beautiful pattern because the all-metal roller driven by the chain is unyielding and durable.



1
All-metal roller driven by chain which is very strong and durable.



2
It has thirteen levels of height adjustments available for various situations.



3
The fantastic design of the steel inner and outer skirt well protects the blade under any severe working condition besides the patented, more durable, and reliable axis.



4
The extra front bumper attachment on the chassis yields protection of the mower deck from bumping and also provides convenience when lifting the mower.



It has an easy button-press start engine mode which is available for incredible ease and comfort during operation.



The professional multi-gear transmission box and all-metal gear parts inside ensure the sustainable and stable performance in lots of complex situations. It suits various arduous commercial working settings.

REAR ROLLER MOWER



Model	WB486SK V-R PRO	WB486SK V-R-BBC PRO	WB567SK V-R(56PRO)
Service code	48PRO202003	48PROBBC202003	56PRO202003/56PROBBC202003
Steel/aluminium	AL	AL	AL
Power	Kawasaki FJ180V	Kawasaki FJ180V	Kawasaki FJ180V
Surface up to(m ²)	1000-3000	1000-3000	1000-3000
Cutting width(mm)	480	480	560
Blade brake clutch	-	●	○*
Electric starter	-	-	-
Speed variator	●	●	●
Driving speed(m/s)	0.86-0.98-1.29m/s	0.86-0.98-1.29m/s	0.86-0.98-1.29m/s
Driving lever	●	●	●
Grasscatcher capacity(L)	65	65	90
N () cutting positions up () to () mm	7/13-67	7/13-67	7/13-67
Wheel diameter	7"1/5"	7"1/5"	7"1/5"
Net weight (kgs)	64.5	65.5	68.3
Packaging dimensions(LxWxH)mm	1150x600x580	1150x600x580	1150x640x580

* Optional BBC clutch

MULCHING MOWER 38-46-53CM CUTTING WIDTH

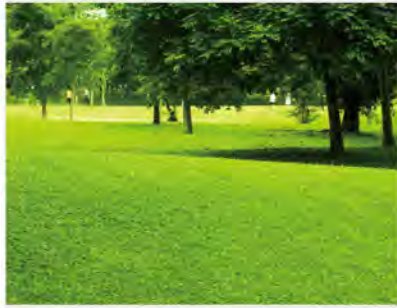
Using the mulching mower is known to do the mowing job 30% faster than others. The deck and the blade have an aerodynamic design, which means when used as a mulching mower, the grass clippings whirl around and are cut and re-cut into fine particles.

The particles are blown down into the turf to recycle valuable nutrients as well as eliminating grass collection and disposal. It means that you need not rake up afterward, so there is less work and greater time-saving too. The system makes the lawn mower quieter, as the sound is trapped under the deck where the whaling grass helps to dampen it. Thus, mulching machines are quieter machines, and you can forget about any noise at all.



MULCHING MOWER

38-46-53CM CUTTING WIDTH



MULCHING MOWER

Do the job 30% faster. As the sound is trapped under the deck where the whiling grass helps to dampen it. Cutting the lawn faster and quieter.



1

The scraping rods can remove grass clippings that have adhered on the wheels very efficiently, so cleaning is also a lot less in comparison.



2

The mulching blades can slice grass into pieces, and those grass pieces can turn into fertilizers when spread out into the field too.



3

The available locking lever can be released quickly, while it is also seamlessly easy to adjust operating heights.



4

It also has an additional front bumper which is set on the chassis. Thus, this can protect the mower deck and is convenient for lifting the machine.



5

This machine can also stand by the tail to save enough valuable storage space.



MULCHING MOWER



Model	WB386HC-M	WB466SB-M-DOV	WB466SC-M	WB536SB-M-DOV
Service code	W386HCM000M1908	W466SDM000M1908	W466SCM000M1908	W536SDM000M1908
Steel/aluminium	Steel	Steel	Steel	Steel
Power	WEIBANG 1P65FE-2	750EX Series DOV™	WEIBANG 1P65FE-2	750EX Series DOV™
Surface up to(m ²)	<400	400-1000	400-1000	1000-3000
Cutting width(mm)	380	460	460	530
Speed variator	-	-	-	-
Driving speed(m/s)	-	-	0.9	0.9
Driving lever	-	●	●	●
N () cutting positions up () to () mm	6/15-54	7/15-76	7/15-76	8/15-67
Wheel diameter	7"/8"	8"/8"	8"/8"	8"/9"
Net weight (kgs)	28.3	43	40.4	45
Packaging dimensions(LxWxH)mm	720x440x440	990x510x490	990x510x490	1010x620x550

* Optional

MULCHING MOWER



Model	WB537SC-M	WB537SCV-M	WB536SK V-M
Service code	W537SCM000M1908	W537SCM000M1908	W536VKM010M1908
Steel/aluminium	Steel	Steel	Steel
Power	WEIBANG 1P70FC	WEIBANG 1P70FC	Kawasaki FJ180V
Surface up to(m ²)	1000-3000	1000-3000	1000-3000
Cutting width(mm)	530	530	530
Speed variator	-	-	●
Driving speed(m/s)	0.9	0.9	0.8-1.0-1.2
Driving lever	●	●	●
N () cutting positions up () to () mm	8/15-67	8/15-67	8/15-67
Wheel diameter	8"/9"	8"/9"	8"/9"
Net weight (kgs)	47.3	47.3	55
Packaging dimensions(LxWxH)mm	1010x620x550	1010x620x550	1010x620x550

* Optional



BUTTON START MOWER 45-50CM CUTTING WIDTH

These mowers have 45-50cm cutting widths and maximum capacity-grass catchers of 70L. So, they are equipped with the easiest starting and most powerful engines such as Briggs & Stratton.

The mower's cutting height is adjusted rapidly by a separate adjusting lever between 15mm~85mm.

These features are also complemented by double ball-bearing wheels, to make mowing even large lawns easily and efficiently.

BUTTON START MOWER, STEELVAL DECK,



BUTTON START MOWER

Button-start mower, need only press down red button to start engine.



It has an easy button-press start engine mode which is available for incredible ease and comfort during operation.



The available locking lever can be released quickly, while it is also seamlessly easy to adjust operating heights.



The mulching blades can slice grass into pieces, and those grass pieces can turn into fertilizers when spread out into the field too.



The available locking lever can be released quickly, while it is also seamlessly easy to adjust operating heights.



Aerodynamic design professional blade.



It provides pure convenience through the central control panel operation available in it.



This machine can also stand by the tail to save enough valuable storage space.

BUTTON START MOWER



Model		WB456SCVE -3IN1	WB506SCVE -3IN1
Service code	</>	W456VCET000B1908	W506VCET000B1908
Steel/aluminium		Steel	Steel
Power		WEIBANG 1P65FE-2	WEIBANG 1P65FE-2
Surface up to(m ²)		<400	400-1000
Cutting width(mm)		450	492
Speed variator		●	●
Driving speed(m/s)		—	—
N () cutting positions up () to () mm		50	60
Wheel diameter		8/20-70	8/20-70
Grasscatcher capacity (L)		7"/9"	8"/9"
Side discharge		●	●
Net weight (kgs)		36.5	44
Packaging dimensions(LxWxH)mm		720x440x440	990x570x470

Optional



4-STROKE LAWN MOWER, STEEL DECK, 45CM CUTTING WIDTH



45CM CUTTING WIDTH, STEEL DECK

People who require lawn mowers for small gardens which are less than 400m² are in for great luck as it can be their perfect choice for their dire need for excellence in quality and adequate performance.



1
It has a locking lever that can be quickly released so that it is flawlessly easy to adjust the operating height.



2
It has a patented double-flanged bearing bracket which is also double bolted.



3
The 4-stroke lawn mower has professional cutting blades that ensure best effects of grass catching and keeps the noise at very low levels at the same time.



4
The mower is extraordinary in severe conditions as you can open the side cover and install the side ejection deflector for it. It is very efficient and specially designed for long and wet grass cutting.



5
It provides pure convenience through the central control panel operation available in it.



6
The machine can stand by its back to save storage space.



WB455HC



POWERED by
WEIBANG 1P65FA

Certificate	Cutting width	Blade speed
CE	450mm	2800 min ⁻¹

- WB455HC 2IN1**
450mm cutting width, 2IN1 function
- WB455HC 3IN1**
450mm cutting width, 3IN1 function

WB455SC



POWERED by
WEIBANG 1P65FA

Certificate	Cutting width	Blade speed
CE	450mm	2800 min ⁻¹

- WB455SC 3IN1**
450mm cutting width, selfpropelled, 3IN1 function
- WB455SCV 3IN1**
450mm cutting width, selfpropelled, 3IN1 function, multiple driving speeds

WB454HB



POWERED by
BRIGGS & STRATTON 500EX Series™

Certificate	Cutting width	Blade speed
CE	450mm	2800 min ⁻¹

- WB454SB**
450mm cutting width, selfpropelled
- WB454HB 3IN1**
450mm cutting width, 3IN1 function
- WB454SB 3IN1**
450mm cutting width, selfpropelled, 3IN1 function

WB454SH-3IN1



POWERED by
HONDA GCV 145

Certificate	Cutting width	Blade speed
CE	450mm	2800 min ⁻¹

Read details on page 64

4-STROKE LAWN MOWER, STEEL DECK, 50CM CUTTING WIDTH



50CM CUTTING WIDTH, STEEL DECK

Mowers for medium size garden <math><1000\text{m}^2</math>, perfect choice for your need of excellent quality of performance and efficiency.



1

It has a locking lever that can be quickly released so that it is flawlessly easy to adjust the operating height.



2

It has a patented double-flanged bearing bracket which is also double bolted.



3

The 4-stroke lawn mower has professional cutting blades that ensure best effects of grass catching and keeps the noise at very low levels at the same time.



4

The mower is extraordinary in severe conditions as you can open the side cover and install the side ejection deflector for it. It is very efficient and specially designed for long and wet grass cutting.



5

It provides pure convenience through the central control panel operation available in it.



6

The machine can stand by its back to save storage space.



WB506HC



POWERED by
WEIBANG 1P65FA

Certificate	Cutting width	Blade speed
CE	492mm	2800 min ⁻¹

WB506SC



POWERED by
WEIBANG 1P65FA

Certificate	Cutting width	Blade speed
CE	492mm	2800 min ⁻¹

WB506SC 3IN1

492mm cutting width, selfpropelled, 3IN1 function

WB506SCV 3IN1

492mm cutting width, selfpropelled, 3IN1 function, multiple driving speeds

WB506SB 3IN1-DOV



POWERED by
BRIGGS & STRATTON 750EX Series DOV™

Certificate	Cutting width	Blade speed
CE	492mm	2800 min ⁻¹

WB506SH-3IN1



POWERED by
HONDA.GCV 170

Certificate	Cutting width	Blade speed
CE	492mm	2800 min ⁻¹

Read details on page 64

4-STROKE LAWN MOWER, STEEL DECK, 53CM CUTTING WIDTH



53CM CUTTING WIDTH, STEEL DECK

Mowers for medium or large size garden from 1000~3000m², perfect choice for your need of excellent quality of performance and efficiency.



Aerodynamic design professional blade.



1 Central control box is convenient for operation.



2 The 4-stroke lawn mower has professional cutting blades that ensure best effects of grass catching and keeps the noise at very low levels at the same time.



3 The available locking lever can be released quickly, while it is also seamlessly easy to adjust operating heights.



The WEIBANG drive gear box and metallic parts inside ensure the long-lasting performance and suit different arduous working conditions.



4 The machine can stand by its back to save storage space.



WB536SB DOV



POWERED by
BRIGGS & STRATTON 750EX Series DOV™
675EX

Certificate	Cutting width	Blade speed
CE	530mm	2800 min ⁻¹

WB536SB V 3IN1 DOV

530mm cutting width, selfpropelled, 3IN1 function, multiple driving speeds

WB536SK



POWERED by
Kawasaki FJ180V

Certificate	Cutting width	Blade speed
CE	530mm	2800 min ⁻¹

WB536SK V-3IN1

530mm cutting width, selfpropelled, 3IN1 function, multiple driving speeds

WB537SLC



POWERED by
WEIBANG 1P70FC

Certificate	Cutting width	Blade speed
CE	530mm	2800 min ⁻¹

WB537SLC 3IN1

530mm cutting width, selfpropelled, 3IN1 function

WB537SLC V 3IN1

530mm cutting width, selfpropelled, 3IN1 function, multiple driving speeds

WB537SH-3IN1



POWERED by
HONDA GCV 170

Certificate	Cutting width	Blade speed
CE	530mm	2800 min ⁻¹

WB537SH V 3IN1

530mm cutting width, selfpropelled, 3IN1 function, multiple driving speeds

Read details on page 66

4-STROKE LAWN MOWER, AL DECK 48CM CUTTING WIDTH



48CM CUTTING WIDTH, AL DECK

Durable medium cutting width mower, perfect choice for your need of excellent quality of performance and efficiency.

WB486SB AL V-DOV



POWERED by
BRIGGS & STRATTON 750EX Series DOV™

Certificate	Cutting width	Blade speed
CE	480mm	2800 min ⁻¹

WB486SB AL-DOV



POWERED by
BRIGGS & STRATTON 750EX Series DOV™

Certificate	Cutting width	Blade speed
CE	480mm	2800 min ⁻¹

WB486SK AL



POWERED by
Kawasaki

Certificate	Cutting width	Blade speed
CE	480mm	2800 min ⁻¹

WB486SK AL V

482mm cutting width, selfpropelled, multiple driving speeds



Central control box is convenient for operation.



The sturdy aluminum die-cast chassis with powder coated, aerodynamic design supply perfect air-flow for uninterrupted working conditions, and seamless flow of cutting.



Aerodynamic design professional blade.

Read details on page 66

4-STROKE LAWN MOWER AL STEEL DECK, 53CM CUTTING WIDTH



53CM CUTTING WIDTH, AL STEEL DECK

Durable large cutting width mower, perfect choice for your need of excellent quality of performance and efficiency.

WEIBANG[®]
GARDEN MACHINES

WB536SK AL



POWERED by
Kawasaki FJ180V

Certificate	Cutting width	Blade speed
CE	530mm	2800 min ⁻¹

WB536SB AL-DOV



POWERED by
BRIGGS & STRATTON 750EX Series DOV™

Certificate	Cutting width	Blade speed
CE	530mm	2800 min ⁻¹

WB536SB AL V-DOV

530mm cutting width, selfpropelled, multiple driving speeds

WB536SH AL



POWERED by
HONDA GXV 160

Certificate	Cutting width	Blade speed
CE	530mm	2800 min ⁻¹

WB536SH AL V

530mm cutting width, selfpropelled, multiple driving speeds

Read details on page 67



Mowing larger garden areas that are almost 3,000m² are no problem for these machines as they are particularly demanding if perfect cutting results are required.

These professional mowers have 53cm cutting width and a large capacity grass-catcher of 70L. They are equipped with the easiest starting and powerful professional engine of Kawasaki that has three-speed transmissions and with belt driving.

The machine's cutting height is available for comfortable settings by an adjusting lever between 25mm and 80mm. These features are complemented by double-ball-bearing wheels, to make large mowing lawn easier, more efficient, and more comfortable.



Model		WB536SK AL V PRO	WB536SK V-3IN1 PRO
Service code	</>	W536VK110B1908	W536VKT010B1908
Steel/aluminium		AL	Steel
Power		Kawasaki FJ180V	Kawasaki FJ180V
Surface up to(m ²)		1000-3000	1000-3000
Cutting width(mm)		530	530
Speed variator		●	●
Driving speed(m/s)		0.8-1.0-1.2	0.8-1.0-1.2
N () cutting positions up () to () mm		7/25-76	8/25-80
Wheel diameter		8"/9"	8"/9"
Grasscatcher capacity (L)		70	70
Side discharge		—	●
Net weight (kgs)		54.8	52.4
Packaging dimensions(LxWxH)mm		1060x600x470	1050x620x560

45CM MOWERS



Model		WB454HB	WB454SB	WB454HB -3IN1	WB454SB -3IN1	WB455HC	WB455HC -2IN1	WB455HC -3IN1	WB455SC	WB455SC -3IN1
Service code	</>	W454HB000B1908	W454SB000B1908	W454HBT000B1908	W454SBT000B1908	W455HC000B1800	W454HC000M1908	W455HCT000B1800	W455SC000B1900	W455SCT000B1900
Steel/aluminium		Steel	Steel	Steel	Steel	Steel	Steel	Steel	Steel	Steel
Power		500E Series™	500E Series™	500E Series™	500E Series™	WEIBANG 1P65FA	WEIBANG 1P65FA	WEIBANG 1P65FA	WEIBANG 1P65FA	WEIBANG 1P65FA
Surface up to (m²)		<400	<400	<400	<400	<400	<400	<400	<400	<400
Cutting width (mm)		450	450	450	450	450	450	450	450	450
Driving speed (m/s)		–	0.97	–	0.97	–	–	–	0.97	0.97
Driving lever		–	●	–	●	–	–	–	●	●
Grasscatcher capacity (L)		50	50	50	50	50	50	50	50	50
N () cutting positions up () to () mm		8/20-70	8/20-70	8/20-70	8/20-70	8/20-70	8/15-75	8/20-70	8/20-70	8/20-70
Wheel diameter		7"8"	7"9"	7"8"	7"9"	7"8"	7"8"	7"8"	7"9"	7"9"
Mulch (*kit mulching upon request)		○*	○*	●	●	○*	●	●	○*	●
Net weight (kgs)		29.6	32	30	32.5	30	25.3	31	34.5	37
Packaging dimensions (LxWxH) mm		990x570x440	990x570x440	990x570x440	990x570x440	990x570x440	990x570x440	990x570x440	990x570x440	990x570x440

* Optional

45CM MOWERS



50CM MOWERS



Model		WB455SC V -3IN1	WB455SH -3IN1	Model		WB506HC	WB506SC	WB506SC -3IN1	WB506SC V -3IN1	WB506SB -3IN1 -DOV	WB506SH -3IN1
Service code	</>	W455VCT000B1900		Service code	</>	W506HC000B1908	W506SC000B1908	W506SCT000B1908	W506SCT000B1908	W506SDT000B1908	
Steel/aluminium		Steel	Steel	Steel/aluminium		Steel	Steel	Steel	Steel	Steel	Steel
Power		WEIBANG 1P65FA	HONDA .GCV 145	Power		WEIBANG 1P65FE-2	WEIBANG 1P65FE-2	WEIBANG 1P65FE-2	WEIBANG 1P65FE-2	750EX Series DOV™	HONDA .GCV 170
Surface up to (m²)		<400	<400	Surface up to (m²)		400-1000	400-1000	400-1000	400-1000	400-1000	400-1000
Cutting width (mm)		450	450	Cutting width (mm)		492	492	492	492	492	492
Driving speed (m/s)		0.97	0.97	Driving speed (m/s)		–	0.91	0.91	–	0.91	0.91
Driving lever		●	●	Driving lever		–	●	●	●	●	●
Grasscatcher capacity (L)		50	50	Grasscatcher capacity (L)		60	60	60	60	60	60
N () cutting positions up () to () mm		8/20-70	8/20-70	N () cutting positions up () to () mm		8/20-70	8/20-70	8/20-70	8/20-70	8/20-70	8/20-70
Wheel diameter		7"9"	7"9"	Wheel diameter		8"8"	8"9"	8"9"	8"9"	8"9"	8"9"
Mulch (*kit mulching upon request)		●	●	Mulch (*kit mulching upon request)		○*	○*	●	●	●	●
Net weight (kgs)		36.5	37.2	Net weight (kgs)		37	40.3	41.3	44	43	40.5
Packaging dimensions (LxWxH) mm		990x570x440	990x570x440	Packaging dimensions (LxWxH) mm		990x570x470	990x570x470	990x570x470	990x570x470	990x570x470	990x570x470

* Optional

* Optional

53CM MOWERS



Model	WB536SB -DOV	WB536SB V 3IN1-DOV	WB536SK	WB536SK V -3IN1	WB537SLC	WB537SLC-3IN1	WB537SLC V -3IN1	WB537SH -3IN1	WB537SH V -3IN1
Service code	W536SD000B1908	W536VDT000B1908	W536SK000B1908	W536VKT000B1908	W537SLC000B1908	W537SLCT000B1908	W537SLCT000B1908		
Steel/aluminium	Steel	Steel	Steel	Steel	Steel	Steel	Steel	Steel	Steel
Power	750EX Series DOV™	750EX Series DOV™	Kawasaki FJ180V	Kawasaki FJ180V	WEIBANG 1P70FC	WEIBANG 1P70FC	WEIBANG 1P70FC	HONDA .GXV 170	HONDA .GXV 170
Surface up to(m²)	1000-3000	1000-3000	1000-3000	1000-3000	1000-3000	1000-3000	1000-3000	1000-3000	1000-3000
Cutting width(mm)	530	530	530	530	530	530	530	530	530
Driving speed(m/s)	0.90	Stepless 0.94-1.22	0.90	Stepless 0.94-1.22	0.90	0.90	Stepless 0.94-1.22	Stepless 0.94-1.22	Stepless 0.94-1.22
Driving lever	●	●	●	●	●	●	●	●	●
Grasscatcher capacity(L)	70	70	70	70	70	70	70	70	70
N () cutting positions up () to () mm	8/25-80	8/25-80	8/25-80	8/25-80	8/25-80	8/25-80	8/25-80	8/25-80	8/25-80
Wheel diameter	8"/9"	8"/9"	8"/9"	8"/9"	8"/9"	8"/9"	8"/9"	8"/9"	8"/9"
Mulch(*kit mulching upon request)	○*	●	○*	●	○*	●	●	●	●
Net weight (kgs)	45.5	48.5	48	52.4	42.4	54	54	43.5	44.2
Packaging dimensions(LxWxH)mm	1050x620x470	1050x620x470	1050x620x470	1050x620x560	1050x620x470	1050x620x470	1050x620x470	1050x620x470	1050x620x470

48CM AL MOWERS



Model	WB486SB AL-DOV	WB486SB AL V-DOV	WB486SK AL	WB486SK AL V
Service code	W486SD100B1908	W486VD100B1908	W486SK100B1908	W486VK100B1908
Steel/aluminium	AL	AL	AL	AL
Power	750EX Series DOV™	750EX Series DOV™	Kawasaki FJ180V	Kawasaki FJ180V
Surface up to(m²)	400-1000	400-1000	400-1000	400-1000
Cutting width(mm)	482	482	482	482
Driving speed(m/s)	0.9	Stepless 0.87-1.15	0.9	Stepless 0.87-1.15
Driving lever	●	●	●	●
Grasscatcher capacity(L)	65	65	65	65
N () cutting positions up () to () mm	7/20-75	7/20-75	7/20-75	7/20-75
Wheel diameter	8"/8"	8"/8"	8"/8"	8"/8"
Mulch(*kit mulching upon request)	○*	○*	○*	○*
Net weight (kgs)	44.8	45	52	53
Packaging dimensions(LxWxH)mm	1060x600x470	1060x600x470	1060x600x470	1060x600x470

53CM AL MOWERS



Model	WB536SB AL-DOV	WB536SB AL V-DOV	WB536SK AL	WB536SH AL	WB536SH AL V
Service code	W536SD100B1908	W536VD100B1908	W536SK100B1908	W536SH100B1908	W536VH100B1908
Steel/aluminium	AL	AL	AL	AL	AL
Power	750EX Series DOV™	750EX Series DOV™	Kawasaki FJ180V	HONDA .GXV 160	HONDA .GXV 160
Surface up to(m²)	1000-3000	1000-3000	1000-3000	1000-3000	1000-3000
Cutting width(mm)	530	530	530	530	530
Driving speed(m/s)	0.91	Stepless0.85-1.27	0.91	0.91	Stepless0.85-1.27
Driving lever	●	●	●	●	●
Grasscatcher capacity(L)	70	70	70	70	70
N () cutting positions up () to () mm	7/25-76	7/25-76	7/25-76	7/25-76	7/25-76
Wheel diameter	8"/9"	8"/9"	8"/9"	8"/9"	8"/9"
Mulch(*kit mulching upon request)	○*	○*	○*	○*	○*
Net weight (kgs)	48	49	53	52	53
Packaging dimensions(LxWxH)mm	1060x600x470	1060x600x470	1060x600x470	1060x600x470	1060x600x470

* Optional



Chipper/Shredder Wood chipper

With the help of chipping/shredding machine, green organic waste can be directly converted into high-quality compost and mushroom cultures for agriculture, or returned to the field at the site to maintain soil fertility, it also avoids the air pollution caused by incineration treatment, which is beneficial to environmental protection.



WB4003E

The WBSH4003E is a home use electric motor powered Chipper or Shredder. It is designed for chipping hard, and even chunky branches, or several shredding sticks as well as fall leaves.

Powered by a 2400W motor, the unit drives five exclusive replaceable blades on a disk for chipping and shredding working and so you can turn your organic waste into high-quality organic fertilizer for farming and gardening.

Model		WBSH4003E
Power		230V-50Hz, S1:1800W, S6(40%)2400W
Service code		WBSH4003E/A
Rated current		9 amperes
Speed of shredder disk		2800min ⁻¹
Number of blades		5pcs on one disk
Chipping Ø Max.		40mm
Overload protection		8sec.delay-action
Output		0.5cu.m /h
Noise level LWA		117dB(A)
Net weight		58kgs
Packaging dimensions(LxWxH)		1010x550x835mm
Certificate		CE



50 SERIES WOOD CHIPPER GASOLINE ENGINE POWERED

This wood chipper is a garden machine designed for chipping/shredding branches or sticks after gardening work. Powered by a 196cc (4.1kW) engine, the wood chipper is a powerful unit which drives replaceable special blades for chipping and you can turn plant organic waste easily into high quality compost for agriculture and gardening. Instead of burning your waste you can convert it into beneficial nurturing material for composting, and then return it to your soil.



Big intake opening is suitable for the branches with leaves.



The cutting means adopts precise dynamic balance treatment for low working vibration, and the active shell of cutting house can be opened for blade service.

Model	WBCH507LC
Engine model	LONCIN G200F 4.1KW
Engine speed(Max.min ⁻¹)	3600
Blade rotation speed(Max.min)	2700
Chipping blade(pcs)	2
Branch diameter Max.in.(mm)	50
Chipping hopper opening in.(mm)LXW	350×350
Dimension in.(mm)LXWxH	1270×780×1270mm
Net weight kgs	75kg
Output cu.ft(cu.m)per hour	21.2(0.6)
Chipping blade code	CH50A080000020

WOOD CHIPPER WBCH1013LC-D

It is more and more popular to recycle the organic garbage of garden. With the help of WEIBANG chipper, the organic garbage can be easily turned into useful covering or high-quality compost. With smaller size and lighter weight, the new chipper can be moved conveniently. The branches, sticks, and fallen leaves after gardening work can be easily converted.



2pcs replaceable main chipping blades made of special alloy guarantee the high efficiency and durability.



Special designed blast system makes better discharge.



Unique blade clamping system guarantees quick discharge, no rebound, and high efficiency is fully ensured.

Model	WBCH1013LC-D
Engine	Loncin G420F 420cc
Rated power	9.0kW
Max. rpm	3600rpm
Cutting means speed	3200rpm
Max. chipping diameter	100mm
Fuel	lead-free gasoline
Oil tank capacity	6.5L
Feeding inlet height	1200mm
Feeding inlet size	620x520mm
Discharging opening height	1450mm
Discharging direction	lateral
Wheel diameter	365mm
Emergency stop button	available
Total weight	205kgs

WOOD CHIPPER WBCH130-D

WBCH130 series is an internal combustion engine-powered plant-based waste chipping and shredding machine, which is used for municipal, garden and community greening, as well as orchards, agriculture and other occasions. As working object, all plant-based waste such as pruned sticks, branches and leaves, shrub branches, pruned fruit tree branches, crop straw, fruit vines and other materials will be broken into pieces for easy decomposition or composting.



WATCH THE VIDEO



The emergency stop rod is arranged around the opening of feeding chute, which is convenient for operator to stop feeding action quickly and fully guarantee the operation safety.



Feeding roller is servo-driven by high-torque hydraulic motor



The average blade life is over 500 hours



If the wood is too thick or too hard, the system will automatically sense and stop it or rotate the feeding roller in opposite direction to ensure the safety of the equipment. When the machine load is reduced, the engine automatically decelerates to save fuel.

Read details on page 76

WBCH160-D/WBCH250-D/WBCH300-D/WBCH500-D

The wood chipper is a diesel-powered plant-type waste treatment equipment specially designed for crushing waste or dead trees produced during trees regenerating work by municipal landscaping management departments, and plant-based waste from the production of wood in felled areas.

In addition, this product can be applied to at least the following areas:

1. Shredding diseased and dead trees in situ.
2. Rapid dismembering and shredding fallen street trees on-site to clear street obstacles in the aftermath of a city storm.
3. Chipping and shredding wood and branches base on biomass-based power generation and heat supply.
4. Shredding the straw of crops and materials such as bamboo and reed and returning to the field or composting, and so on.



WATCH THE VIDEO



The emergency stop rod is arranged around the opening of feeding chute, which is convenient for operator to stop feeding action quickly and fully guarantee the operation safety.



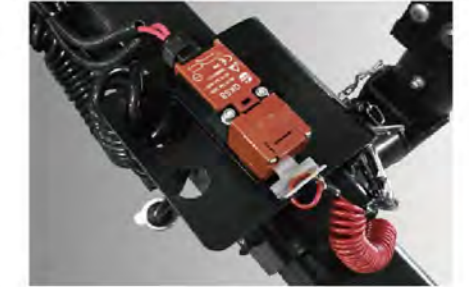
Feeding roller is servo-driven by high-torque hydraulic motor



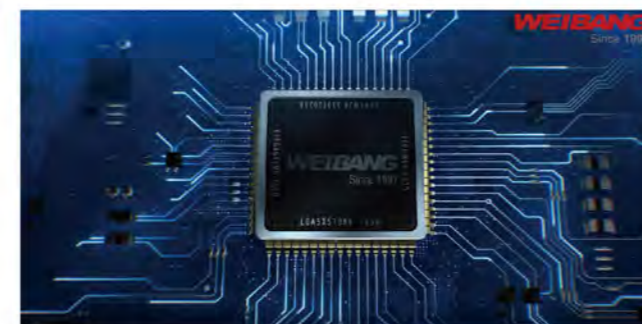
The unit equipped with a touching LCD screen, can display unit's running parameters and fault code in time, and remind users maintaining



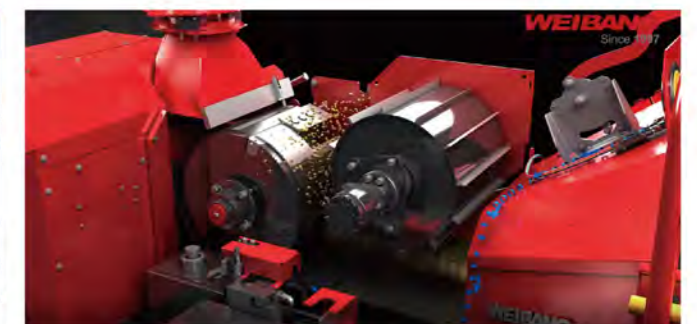
The average blade life is over 500 hours



运输过程挂钩脱落时，轮胎会自动抱死，保障运输安全



If the wood is too thick or too hard, the system will automatically sense and stop it or rotate the feeding roller in opposite direction to ensure the safety of the equipment. When the machine load is reduced, the engine automatically decelerates to save fuel.



Read details on page 76

Machine model	WBCH130-D	WBCH160-D	WBCH250-D	WBCH300-D	WBCH500-D
OVERALL DIMENSIONS AND WEIGHT					
Length	335cm	460cm	480 cm	480 cm	550cm
Height	200 cm	263 cm	263 cm	263 cm	300cm
Width	112 cm	159 cm	176 cm	176 cm	220cm
ENGINE					
Mane/Moder	HONDA GX690	YANMAR 3TNV88C	YUCHAI YC4BA90-T20 YANMAR 4TNV98T(-Z)	YUCHAI YC4DK100-T304 YANMAR 4TNV94FHT	YUCHAI YCA05190-T300
Gross horsepower	23 hp/16.5kW	35 hp/26 kW	80hp/59 kW	100 hp/73.5 kW	190 hp /140 kW
Fuel type	Petrol	Diesel oil	Diesel oil	Diesel oil	Diesel oil
Number of cylinders	2	3	4	4	4
Cooling medium	Liquid	Liquid	Liquid	Liquid	Liquid
Fuel tank capacity	20 Liter	26 Liter	85 Liter	85 Liter	280 Liter
FEED SYSTEM					
Chipping capacity	13cm	16cm	25cm	30cm	50cm
Infeed opening height	15cm	19cm	34cm	39cm	56cm
Infeed opening width	31cm	37.4cm	49cm	44cm	61cm
Feed table length	120cm	170cm	170cm	170cm	200cm
Feed table height	75cm	78cm	78cm	78cm	78cm
Feed roller style	Horizontal	Horizontal	Horizontal	Horizontal	Horizontal
Feed speed	0~8.8m/min, stepless adjustable	0~20m/min, stepless adjustable	0~32m/min, stepless adjustable	0~32m/min, stepless adjustable	0~32m/min, stepless adjustable
Smart feeding	Yes	Yes	Yes	Yes	Yes
DRUM CUTTING SYSTEM					
Drum speed	2680rpm	2150rpm	2150rpm	2150rpm	1150rpm
Drum size	35cm diameter	61cm diameter	52cm diameter	52cm diameter	105.6cm diameter
Drum shell thickness	0.6cm	1cm	1cm	1cm	1cm
Knives	2pcs, double edges	2pcs, double edges	2pcs, double edges	2pcs, double edges	4pcs, double edges
Bedknife	2 sides	2 sides	2 sides	2 sides	4 sides
Clutch	Belt tensional	Belt tensional	Belt tensional	Belt tensional	Industrial heavy duty clutch 1200N.m
DISCHARGE SYSTEM					
Discharge height	200cm	246cm	246cm	246cm	300cm
Degree of rotation	270°	270°	270°	270°	270°
HYDRAULIC SYSTEM					
Hydraulic tank	20 Liter	26 Liter	26 Liter	26 Liter	75 Liter
CHASSIS					
Frame	70 cm×50 cm, RHS	96cm×18cm Z-channel	96cm×18cm Z-channel	96cm×18cm Z-channel	124 cm×15 cm, RHS
Tire	5193181(4.0-8)Load Range A8	ST185/80/R13 Load Range E	ST235/80/R16 Load Range E	ST235/80/R16 Load Range E	ST235/80/R18 Load Range E
Axle/Suspension	/	1200kg torsion beam	2359kg torsion beam	2359kg torsion beam	8000kg
Hitch	Pintle	Pintle	Pintle	Pintle	Pintle



OTHER PROFESSIONAL MACHINE

We are happy to provide you several machines that meet your requirements in more fields of garden works. Not only when it comes to mowing but also for large-scale and tougher work in the professional garden machine areas. Some of our products can even satisfy the working areas than other garden tools which are specialized for public works.

LAWN AERATOR, 4-STROKE, STEEL DECK 45-53CM WORKING WIDTH AND MAX. 7CM DEPTH

Most lawns are subjected to problems of soil compaction which makes it more difficult for grassroots to breathe. Hence, if you want to take care of these aspects ensure that you have a good read of the smart features given below.

Smart features:

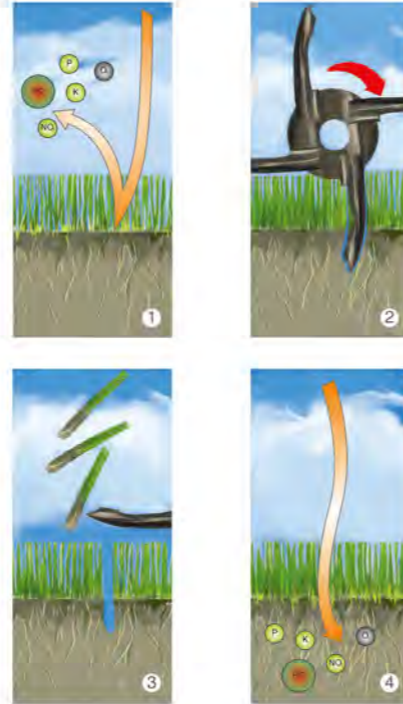
The WEIBANG lawn aerator aerates the earth and improves drainage while relieves compaction.

They use the added smart features that help the grassroots to breathe.

Lastly, they also break up old root parts to promote the growth of new ones.



POWERED by
HONDA



Working head



Model	WB456AH	WB457AB	WB516AH	WB517AB	WB456AC	WB516AC
Service code	WB456AH1800	WB456AB1800	WB516AH1800	WB517AB1800		
Engine model	HONDA GX160 163cc 5HP	750Series 163cc 5HP	HONDA GX160 163cc 5HP	750Series 163cc 5HP	Loncin G200F 4.1KW	Loncin G200F 4.1KW
Clutch	Tensional pulley	Tensional pulley	Tensional pulley	Tensional pulley	Tensional pulley	Tensional pulley
Working width(mm)	450mm	450mm	530mm	530mm	450mm	530mm
Aerate depth(mm)	70mm	70mm	70mm	70mm	70mm	70mm
Aerate spacing (mm)	100x200mm	100x200mm	100x200mm	100x200mm	110x210mm	110x210mm
Wheel size	Front10"x2.75" Rear8"x2"	Front10"x2.75" Rear8"x2"	10"x2.75"	10"x2.75"	Front10"x2.75" Rear8"x2"	Front10"x2.75" Rear8"x2"
Max.m ² /h	1600	1600	2700	2700	1600	2700
Bob weight(kgs)	16x2	16x2	Front 22.3kgx1 Rear 9.3kg x1	Front 22.3kgx1 Rear 9.3kg x1	16x2	Front 16x2 Rear 25.4x1
Sound power level(Lwa)	102dB(A)	102dB(A)	107dB(A)	107dB(A)	101.8dB(A)	101.8dB(A)
Net weight(kgs)	136.5kgs	140kgs	170kgs	173.5kgs	120kgs	171.8kgs
Packaging dimension L*W*H	1100x740x850mm	1100x740x850mm	995x856x930mm	995x856x970mm	1380x690x1310mm	1440x800x1310mm
Certificate	CE	CE	CE	CE		

SOD CUTTER, 4-STROKE, STEEL DECK, 35CM CUTTING WIDTH AND MAX. 5CM DEPTH

WEIBANG[®]
GARDEN MACHINES



POWERED by
HONDA

This machine is used for sod transplant.

It also has high cutting efficiency and cuts a long strip of grass with unified specification too. In this way, the cut sod is easy to roll up and convenient for transportation. As a result, the grass has high survival rate after transplantation which gives an added benefit that other can just not provide.



The speed-fixed throttle adjustment and lockable drive clutch handle bring you a comfortable operation.



Centralized control lever make you can fine adjust the blade angle and cutting depth to adapt to different type of sod.



The cutting blade is near driving wheels, and which ensure the sod cut has a uniform thickness and neat appearance.



The specially designed damping system reduced vibration fully, which ensure cutting effect, and the operator does not feel fatigue.



Model		WBSC409H
Service code	< / >	WBSC409H1800
Engine model		HONDA GX270 9HP
Engine rotation speed (Max. rpm)		3800rpm
Cutting width(mm)		50mm
Cutting width (mm)		350mm
Cutting speed (m/s)		0.6-0.8m/s
Cutting area (sq.m.) per hour		1000m ²
Noise level (dB)		100dB(A)
Net weight (kgs)		180kgs
Packaging dimensions(LxWxH)		1350x550x920mm

**TRENCHER, 4-STROKE,
STEEL DECK,
10CM WORKING WIDTH AND 30CM DEPTH**

TRENCHER

The innovative trencher is perfect for the landscaper or home usage as it has smaller trenching applications such as sprinkler systems. It is WEIBANG's latest design and has latest features like individual pivot system, etc. that keep the axle pushing out the dirt.

The trencher also has a centrifugal clutch and digging chain besides freewheeling hubs on both sides.

POWERED by
HONDA



Model		WBTR126H
Service code	</>	WBTR126H1800
Power		HONDA . 163cc 5.5HP
Trench Width		4"(102mm)
Trench Depth		12"(305mm)
Reverse		58rpm
Digging Chain Speed		336rpm
Boom Travel - Up		5°
Boom Travel - Down		59°
Wheel Width		24.5"(622mm)
Sound power level(Lwa)		99dB(A)
Net Weight		242 lbs.(110kgs)
Packaging dimensions(LxWxH)		1460x760x880mm
Certificate		CE



WATCH THE VIDEO

Using the 'can opener' or rocking motion as shown, push 2" to 4" down on the handlebars and at the same time pulling the trencher 4" to 6" towards the operator can be a good start to lots of efficient, time-saving cleaning.



**STUMP GRINDER, 4-STROKE,
STEEL DECK, GRINDING DEPTH
23CM BELOW GROUND AND
53CM ABOVE GROUND**

POWERED by
HONDA



Model		WBSG13H
Service code	</>	WBSG13H1800
Power		HONDA . GX390 390cc 13HP
Cutter depth below ground		229mm
Cutter depth above ground		534mm
Teeth number on cutter disc		8
Cutter disc size with teeth		355mm
Cutter disc bearing		30mm
Fuel tank capacity		6.1L
Tire size		5.3/4.50-6 4PR
Sound power level(Lwa)		106dB(A)
Net weight		137kgs
Packaging dimensions(LxWxH)		1670 x875 x920mm
Certificate		CE



WATCH THE VIDEO



To remove stump thoroughly, the handle can be set to different position to meet the needed grinding depth.



A special brake can stop one of the two wheels, so that the cutting head can swing from side to side for more efficient grinding work.

POWER RAKE, 4-STROKE, STEEL DECK, 38-47CM RAKING WIDTH

POWER RAKE



It is one of the most uniquely designed models of all others made the right to serve the exact needs. It has a controlled clutch system while the raking rotor is fitted with 28 double tipped carbon steel blades. Moreover, the raking depth is entirely adjustable to a maximum of 7cm, thatch and it aerates roots so that they can be gently and more efficiently removed. It is also powered by an easy-to-start, reliable, 5hp Briggs & Stratton or Honda\ Loncin engine for added guarantee and experience. The WEIBANG rake has a maximum 38-47cm/ (15"-19") working width while the pressed body (which is made of steel) has a hard wearing that features a powder-coated finish besides being extremely durable.



Model	WB384RB	WB384RC	WB486CRB	WB486CRH	WB486CRC
Service code	WB384RB/A1800	WB384RC1800	WB486CRB1800	WB486CRH1800	WB486CRC1800
Power	750Series 163cc 5HP	Loncin G200F 200cc 5HP	750Series 163cc 5HP	HONDA GX160 163cc 5HP	Loncin G200F 200cc 5HP
Rake width	380mm	380mm	467mm	467mm	467mm
Rake spacing	33mm	33mm	33mm	33mm	33mm
Height adjustment	16mm	16mm	32mm	32mm	32mm
Max.blade rotation speed	1900rpm	1900rpm	1250rpm	1250rpm	1250rpm
Grasscatcher capacity(L)	40L	40L	/	/	/
Noise level Lwa	98dB(A)	98dB(A)	99dB(A)	99dB(A)	99dB(A)
Net weight	46kgs	46kgs	55.3kgs	58kgs	58kgs
Packaging dimensions(LxWxH)	800x640x700mm	800x640x700mm	730x730x810mm	730x730x810mm	730x730x810mm
Certificate	CE	CE	CE	CE	CE

SELF-PROPELLED SWEEPER, 4-STROKE, STEEL DECK, 70-100CM WORKING WIDTH AND Ø30-38CM BRUSH ROLLER

SWEEPER

The model is a professional sweeper with high efficiency that is suited for application in amenity areas and winter road clearance. Hence, it is unique in its operations. Powered by a BRIGGS&STRATTON or KAWASAKI engine, the powerful machine drives double brush roller for not only average using in cleaning park and pathway areas, gathering and sweeping up loose dirt, but also clears snow.



Model	WBSW705C	WBSW806B	WBSWP806K	
Service code	</>	WBSW705C1800	WBSW806B1800	WBSWP806K1800
Power	1P61FA 140cc	750EX DOV 161cc	Kawasaki FJ180V 179cc	
Starter	Recoil starter	Recoil starter	Recoil starter	
Fuel tank capacity	1.0 L	1.0 L	2.0 L	
Tyre	4.10-4	13x5-6	15x5.5-6	
Wheel drive	Chain	Chain	Transmission and chain	
Ground speeds	Forward un-adjustable: 0.86m/s	Forward un-adjustable: 1.0m/s	Forward : 1.39-1.11-0.80 m/s; Reverse 1: 0.98 m/s	
Brush roller	Ø30x70 cm brushes Fine/coarse	Ø35x80 cm brushes Fine/coarse	Ø38x80 cm brushes Fine/coarse	
Brush drive	Worm gear	Worm gear	Worm gear	
Brush Clutch	V-belt clutch with idler pulley	V-belt clutch with idler pulley	V-belt clutch with idler pulley	
Handlebars	height-adjustable without tools	height-adjustable without tools	height-adjustable without tools	
Operability on Slopes	Continuous operation possible up to 20° inclination (37 %)	Continuous operation possible up to 20° inclination (37 %)	Continuous operation possible up to 20° inclination (37 %)	
Noise power level Lwa	97dB(A)	99dB(A)	97dB(A)	
Package Dimension(LxWxH)	1010×820×820mm	1010×920×860mm	1310×920×860mm	
Net weight with snow dozer	93.5 kg	100.6 kg	118kg	
Certificate	CE	CE	CE	



Professional gearbox is sturdy and durable, and has a smooth transmission.



A Special snow dozer is equipped for winter road clearance.



The brush roller can be angled to the right or left to sweep the rubbish or snow to one side.

LEAF VACUUM, 4-STROKE, 6HP STEEL DECK, SELF-PROPELL



POWERED by
Loncin

LEAF VACUUM

If you are looking for a petrol engine powered leaf vacuum for cleaning leaves, paper scraps, debris on road and weeds in garden, then no wonder this is the best solution of all.



WATCH THE VIDEO



Sealed collecting bag with snap joint is easy to use, reliable, and durable.



Model	WBLV506C	WBLV506H V
Engine Make/ Model	Loncin G200F	HONDA GX160
Working width	80cm	80cm
Collection bag	240L	240L
Drive speed	0.85m/s	0.75-0.86-1.1m/s
Rated power	3.6kW / 3600min ⁻¹	3.6kW / 3600min ⁻¹
Engine Fuel Capacity	3.6L	3.6L
Engine Oil Capacity	0.6L	0.6L
Max operating slope	8.5°	8.5°
Dimension	1.57×0.87×1.0m	1.57×0.87×1.0m
Total Unit Empty Weight	83kgs	95.4kgs
Certificate	CE	CE



Professional hose is easy to assemble.

LEAF VACUUM, 4-STROKE, 6HP STEEL DECK, TRUCK LOADER

WEIBANG[®]
GARDEN MACHINES

LEAF VACUUM

This litter vacuum is suitable for leaf, litter, and debris removal on hard surfaces and is specially designed for such surface usage.

It is powered by a 6HP KAWASAKI engine and the powerful machine drives a suction turbine.

The exclusive starfish blade can quickly turn fall leaves into high-quality compost for farming and gardening instead of burning them. In this way, it makes working and cleaning easy.

The technology and machine are also very environment-friendly in this way which is also why it is the best in its effectiveness.

POWERED by
Kawasaki



Model		WBLV50K	WBDL5021R
Service code	</>	WBLV50K/A1800	WBDL5021R1812
Power		Kawasaki FJ180V 179cc	RATO R670
Engine Fuel Capacity		2.0L	15L
Hose length		4M	10"X3m
Max operating slope		8.5°	25°
Noise level LWA		101.4 dB(A)	101.2 dB(A)
Total Unit Weight:		60kgs	167kgs
Package Dimension(LxWxH)		925×640×740	1300×1000×760
Certificate		CE	CE



A 4M flexible hose (on suction side) and a nozzle with handle is equipped.



Safety switch equipped to prevent danger



Activities nozzle can adjust the spray direction