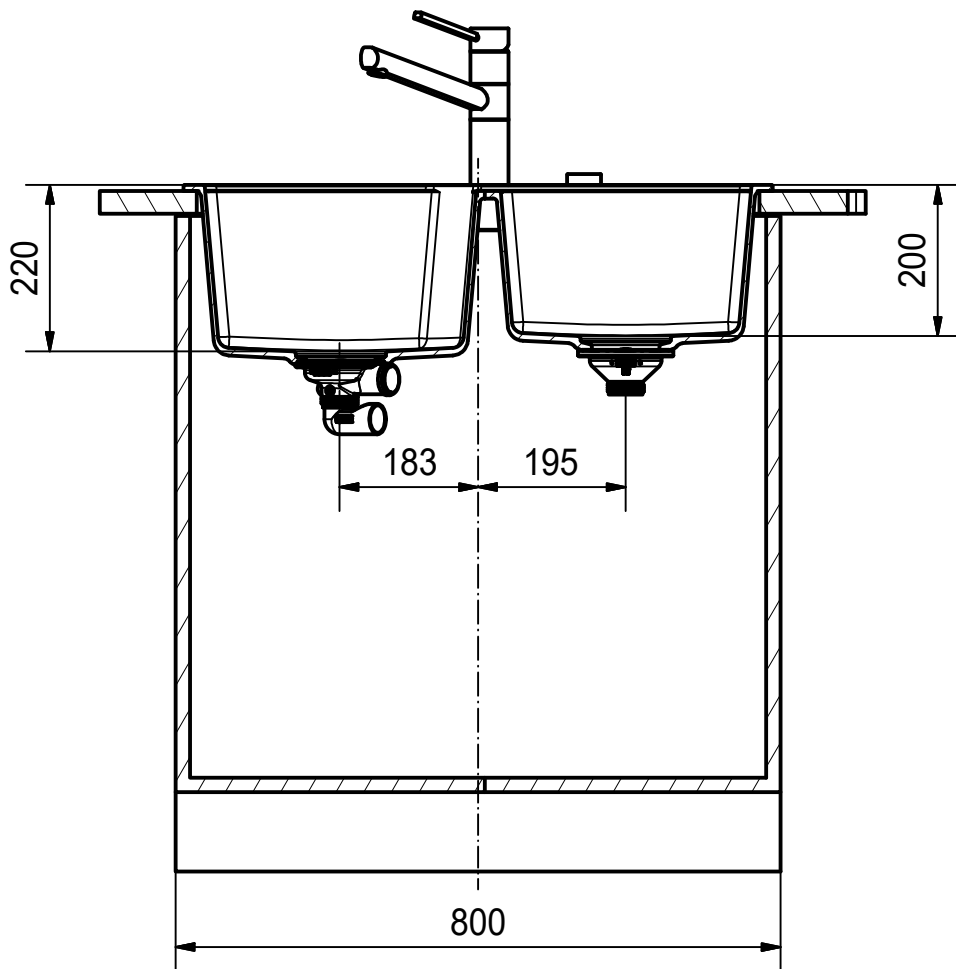


DF



Drawing No.	20129230_01	Revision	
Drawn Date	10.09.2018		
<small>These drawings and specifications are the property of Franke Technology and Trademark Ltd. and shall not be reproduced, copied or transferred to any third party without the prior written permission of Franke Technology and Trademark Ltd., Hergiswil, Switzerland</small>			

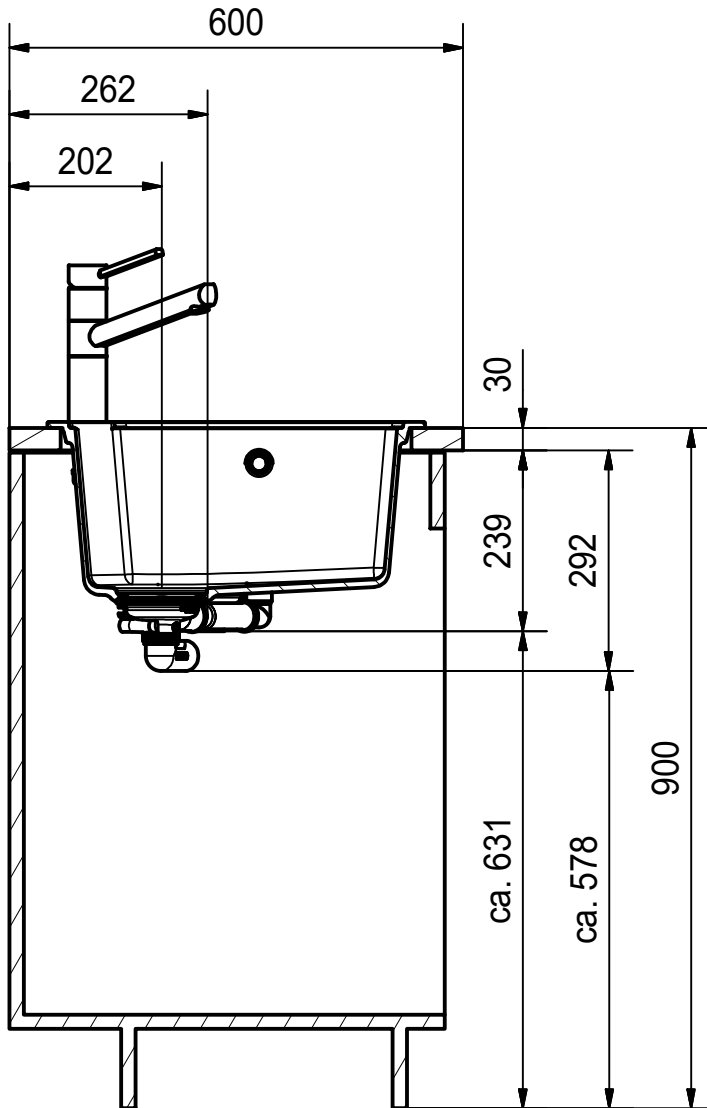
Franke Küchentechnik AG  
CH-4663 Aarburg  
Phone: +41 62 787 31 31  
Internet: www.franke.com

# UBG 620-78

installing document

Sheet	Sheets
1	6

# DS



Drawing No.	20129230_01	Revision	
Drawn Date	10.09.2018		
<small>These drawings and specifications are the property of Franke Technology and Trademark Ltd. and shall not be reproduced, copied or transferred to any third party without the prior written permission of Franke Technology and Trademark Ltd., Hergiswil, Switzerland</small>			

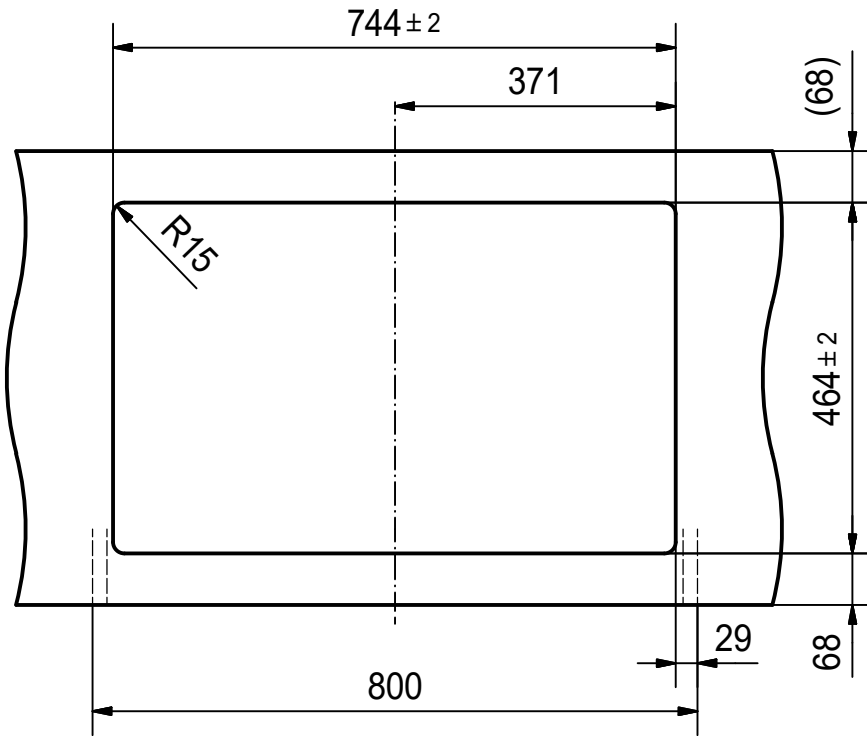
Franke Küchentechnik AG  
CH-4663 Aarburg  
Phone: +41 62 787 31 31  
Internet: www.franke.com

## UBG 620-78

installing document

Sheet	Sheets
2	6

CO



Drawing No.	20129230_01	Revision	
Drawn Date	10.09.2018		
<small>These drawings and specifications are the property of Franke Technology and Trademark Ltd. and shall not be reproduced, copied or transferred to any third party without the prior written permission of Franke Technology and Trademark Ltd., Hergiswil, Switzerland</small>			

Franke Küchentechnik AG  
CH-4663 Aarburg  
Phone: +41 62 787 31 31  
Internet: www.franke.com

# UBG 620-78

installing document

Sheet	Sheets
3	6

# CNC



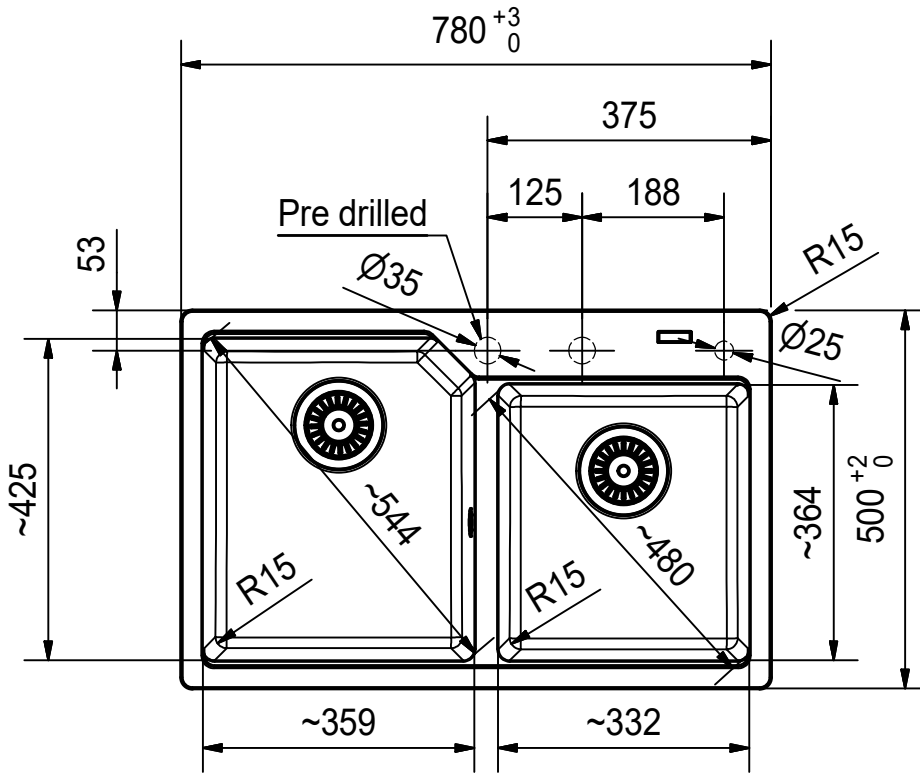
Drawing No.	20129230_01	Revision	
Drawn Date	10.09.2018		
<small>These drawings and specifications are the property of Franke Technology and Trademark Ltd. and shall not be reproduced, copied or transferred to any third party without the prior written permission of Franke Technology and Trademark Ltd., Hergiswil, Switzerland</small>			

Franke Küchentechnik AG  
CH-4663 Aarburg  
Phone: +41 62 787 31 31  
Internet : [www.franke.com](http://www.franke.com)

**UBG 620-78**  
installing document

Sheet	Sheets
4	6

DT



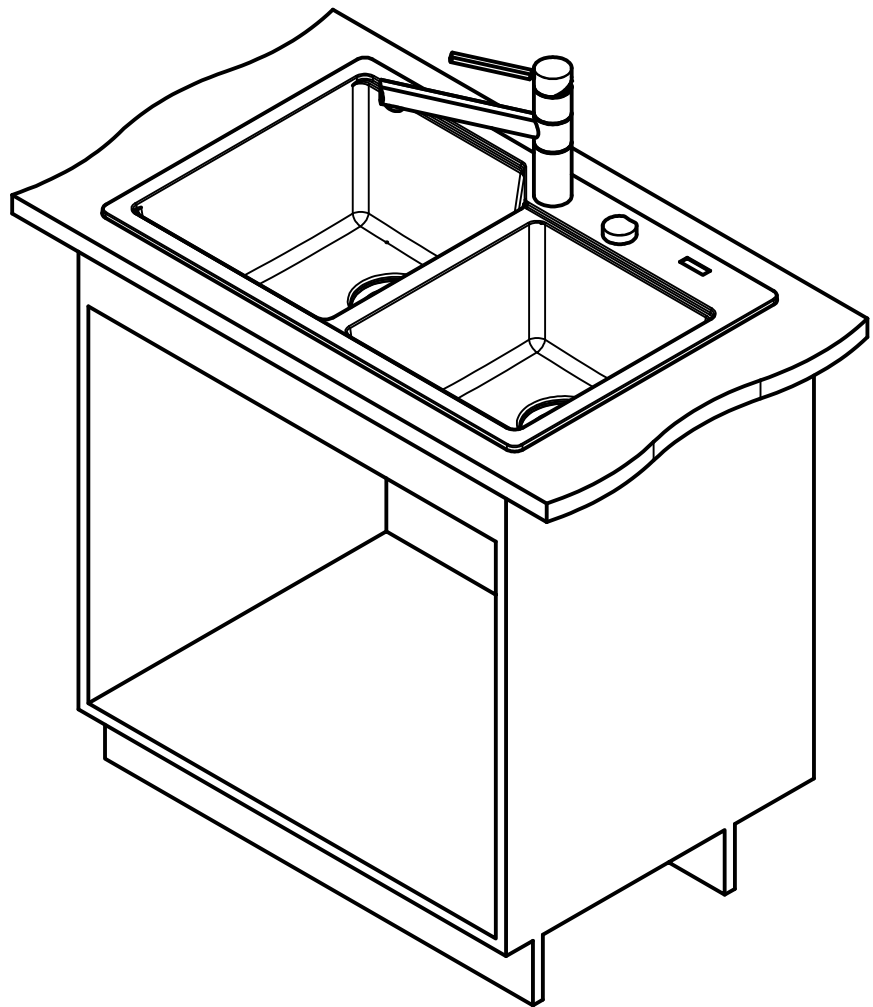
Drawing No.	20129230_01	Revision	
Drawn Date	10.09.2018		
These drawings and specifications are the property of Franke Technology and Trademark Ltd. and shall not be reproduced, copied or transferred to any third party without the prior written permission of Franke Technology and Trademark Ltd., Hergiswil, Switzerland			

Franke Küchentechnik AG  
CH-4663 Aarburg  
Phone: +41 62 787 31 31  
Internet: www.franke.com

**UBG 620-78**  
installing document

Sheet	Sheets
5	6

# ISO



Drawing No.	20129230_01	Revision	
Drawn Date	10.09.2018		
<small>These drawings and specifications are the property of Franke Technology and Trademark Ltd. and shall not be reproduced, copied or transferred to any third party without the prior written permission of Franke Technology and Trademark Ltd., Hergiswil, Switzerland</small>			

Franke Küchentechnik AG  
CH-4663 Aarburg  
Phone: +41 62 787 31 31  
Internet: [www.franke.com](http://www.franke.com)

## UBG 620-78

installing document

Sheet	Sheets
6	6