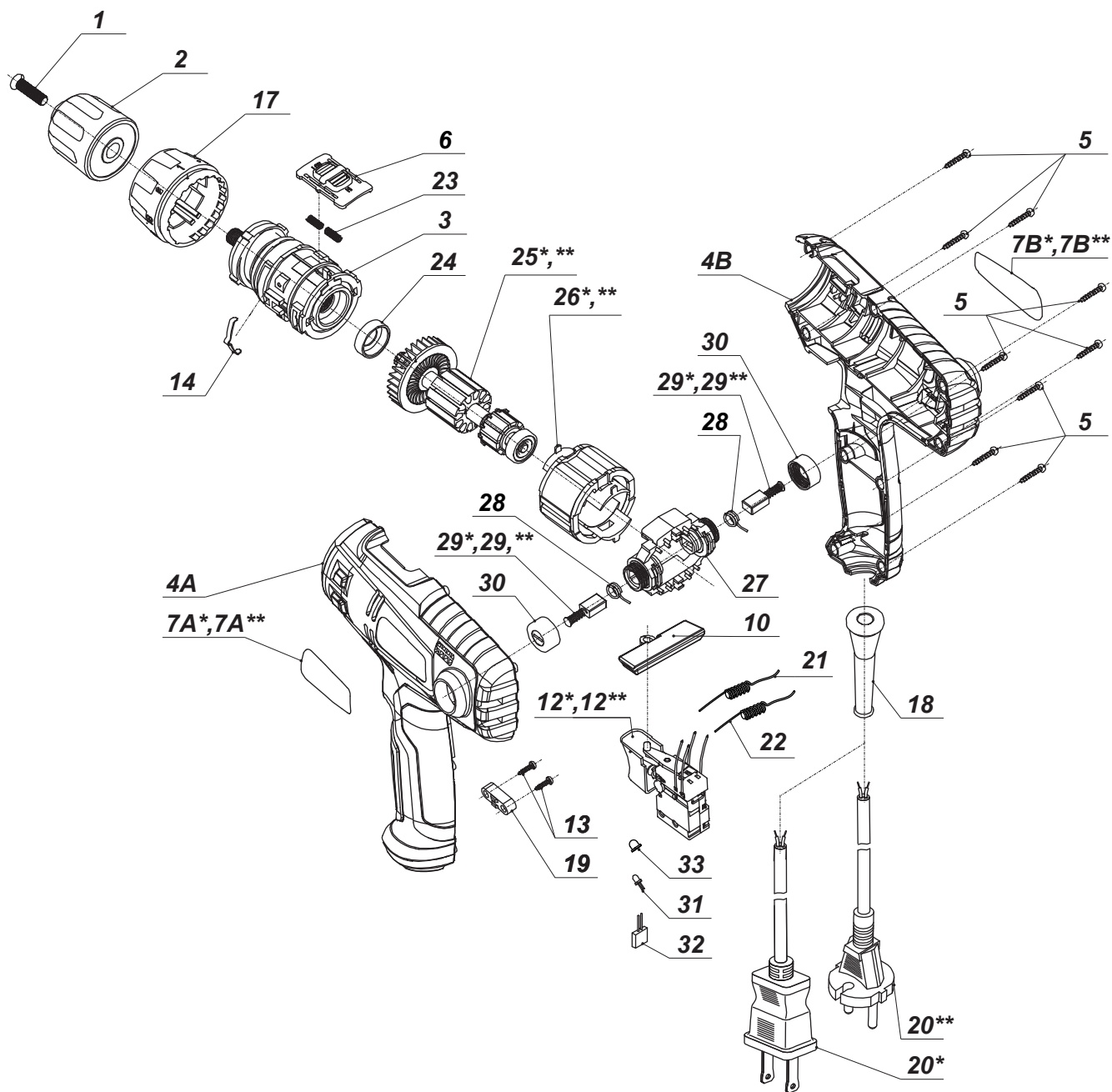
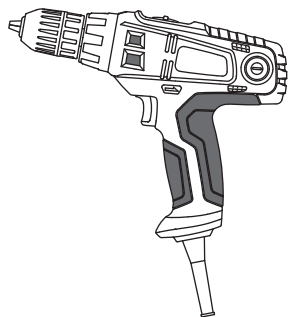


# BM-280 T



\* ~ 110-127V  
 \*\* ~ 220-240V

**PRICE LIST OF SPARE PARTS**

Pos.	Part Number	Description (Q-ty)	Description National Language (Q-ty)	Price, USD
1	S-056	Sunk screw M5x23		
2	Q-049	Chuck 10 mm		
3	E-204	Gear box "ASSY"		
4A	H-319	Housing A		
4B	H-320	Housing B		
5	S-197	Screw ST3X16C (9)		
6	N-311	Speed change knob		
7A*	1T-214	Brand label 110-127 V		
7A**	T-214	Brand label 220-240 V		
7B*	1T-216	Rating label 110-127 V		
7B**	T-216	Rating label 220-240 V		
10	I-214	Switch pole		
12*	1C-105	Switch 110-127V		
12**	C-105	Switch 220-240V		
13	S-074	Screw ST4x16C (2)		
14	R-211	Spring plate		
17	M-315	Torque presetting ring		
18	M-316	Rubber sleeve		
19	M-002	Cord clip		
20*	1E-001	Cord 127 V		
20**	E-001	Cord 230V		
21	E-510	Inductor 100µH,50/70		
22	E-511	Inductor 100µH,60/90		
23	R-212	Spring Ø4xØ0.5x11		
24	M-317	Rubber		
25*	1A-499	Armature (ASSY) 110-127V		
25**	A-499	Armature (ASSY) 220-240V		
26*	1B-110	Stator (ASSY) 110-127V		
26**	B-110	Stator (ASSY) 220-240V		
27	J-103	Carbon brush holder		
28	J-104	Ring terminal (2)		
29*	1D-103	Carbon brush 110-127V (2)		
29**	D-103	Carbon brush 220-240V (2)		
30	J-105	Carbon brush cover		
31	E-205	LED light		
32	E-206	Capacitor (1.33 uF)		
33	M-564	LED light cover		